

# **VEVOR<sup>®</sup>**

## **TOUGH TOOLS, HALF PRICE**

Technical Support and E-Warranty Certificate [www.vevor.com/support](http://www.vevor.com/support)

### **TORTOISE HOUSE**

**MODEL: TY-P1052**

We continue to be committed to provide you tools with competitive price. "Save Half", "Half Price" or any other similar expressions used by us only represents an estimate of savings you might benefit from buying certain tools with us compared to the major top brands and does not necessarily mean to cover all categories of tools offered by us. You are kindly reminded to verify carefully when you are placing an order with us if you are actually saving half in comparison with the top major brands.

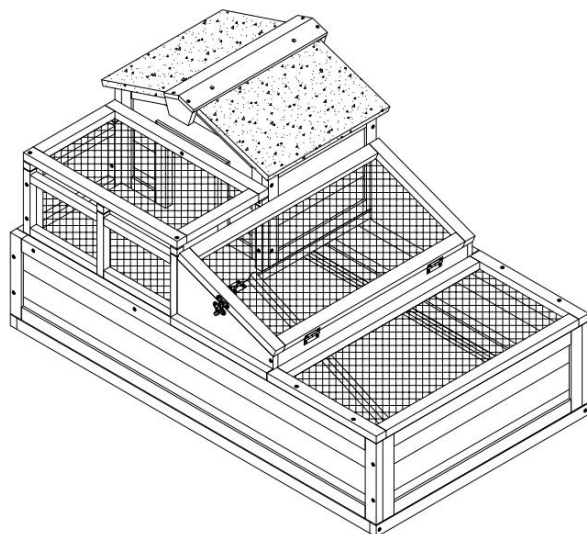


# VEVOR<sup>®</sup>

TOUGH TOOLS, HALF PRICE

## TORTOISE HOUSE

MODEL: TY-P1052



### NEED HELP? CONTACT US!

Have product questions? Need technical support? Please feel free to contact us:

**Technical Support and E-Warranty Certificate**  
**[www.vevor.com/support](http://www.vevor.com/support)**

This is the original instruction, please read all manual instructions carefully before operating. VEVOR reserves a clear interpretation of our user manual. The appearance of the product shall be subject to the product you received. Please forgive us that we won't inform you again if there are any technology or software updates on our product.



Warning-To reduce the risk of injury, user must read instructions manual carefully.

## WARNING & PRECAUTIONS

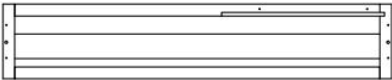
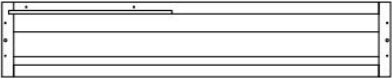
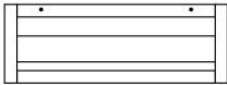
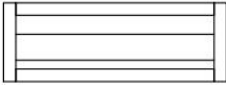

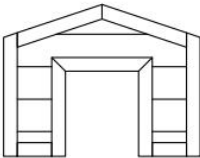
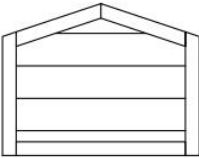

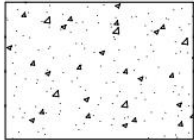
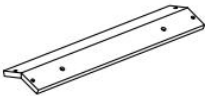
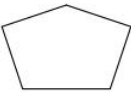
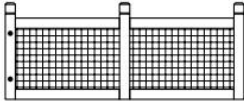
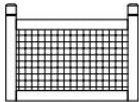

### WARNING:

1. Wear protective gloves when using tools to install fixed signposts, or use two people to assist with the installation.
2. When using, please read this manual first, and it is recommended to keep it well for subsequent use to view.
3. **Do not** place heating pads and install wheels underneath to avoid overheating the wood and drilling holes that could cause the wood to split.
4. This product is suitable for use with small reptiles, such as tortoises, geckos, snakes, lizards and so on.
5. Before the first installation and use it, you must dry the parts for at least one day to reduce and eliminate odors.

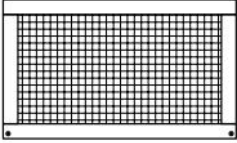



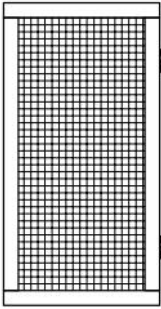
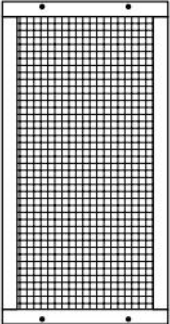
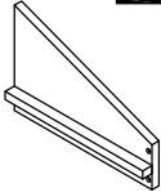
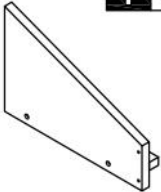




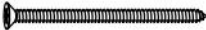


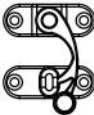

## PRODUCT DESCRIPTION

<b>Model</b>	TY-P1052
<b>Color</b>	Grey & White
<b>Material</b>	Fir & ABS & Wire Mesh
<b>Product size</b>	1120*650*615mm
<b>Packing size</b>	1185*735*118mm

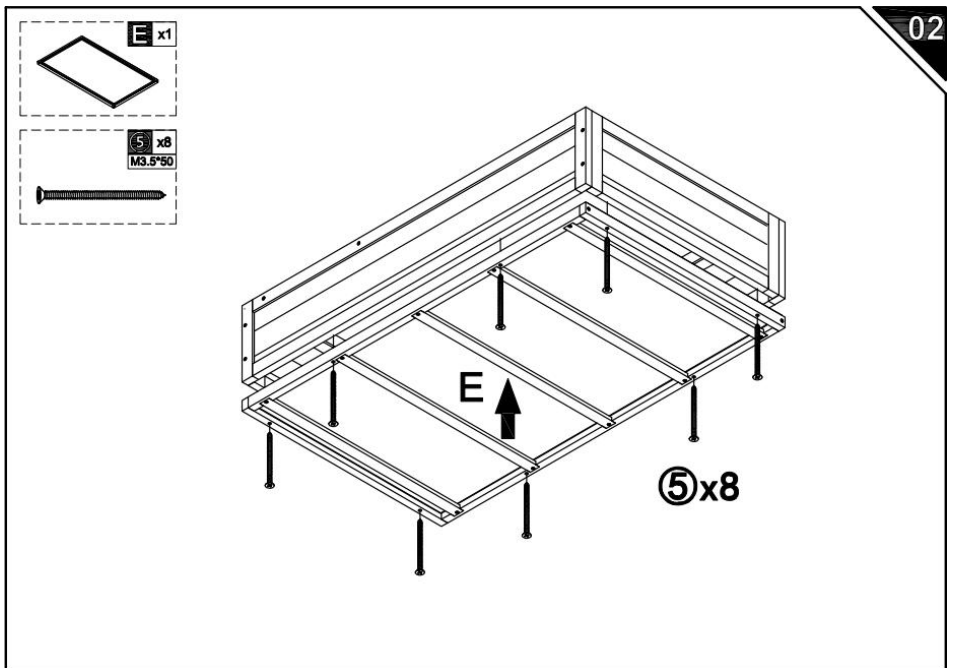
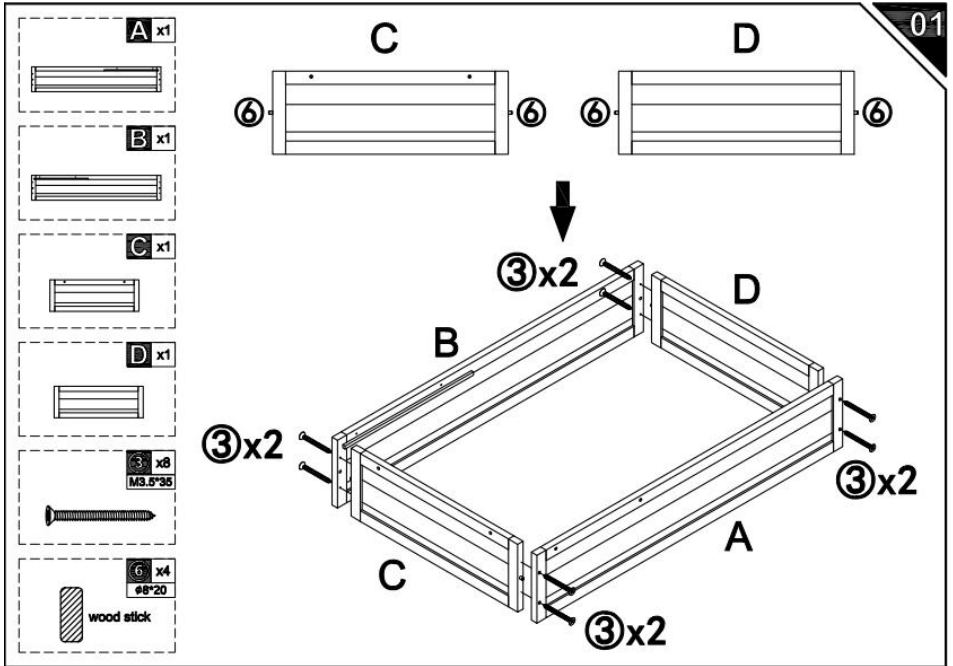
# PART LIST

<b>A</b> x1 	<b>B</b> x1 	
<b>C</b> x1 	<b>D</b> x1 	<b>E</b> x1 
<b>F</b> x1 	<b>G</b> x1 	<b>H</b> x2 
<b>I</b> x1 	<b>J</b> x1 	<b>K</b> x1 
<b>L</b> x1 	<b>M</b> x1 	<b>N</b> x1 


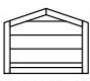
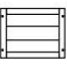


# PART LIST

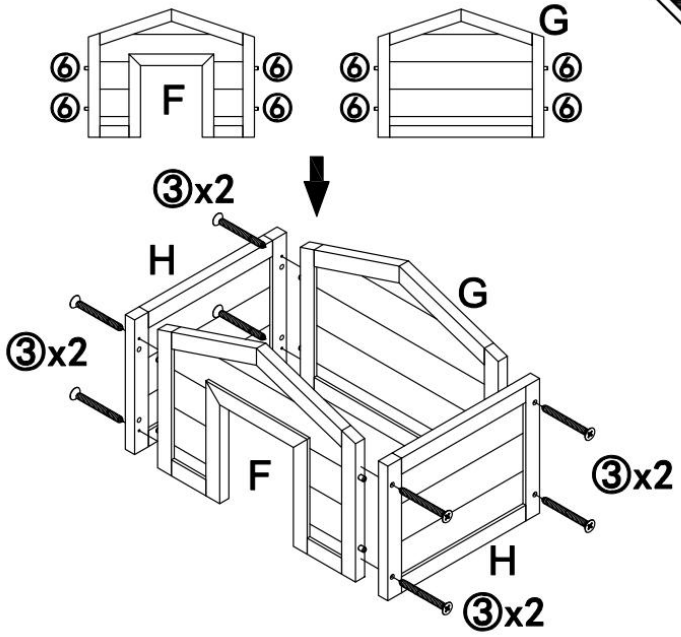
<p><b>O</b> x1</p> 	<p><b>P</b> x1</p> 	<p><b>Q</b> x1</p> 		
<p><b>R</b> x1</p> 		<p><b>U</b> x1</p> 	<p><b>V</b> x1</p> 	
<p><b>S</b> x1</p> 	<p><b>T</b> x1</p> 			
<p><b>1</b> x20 M3*12 +2(spare)</p> 	<p><b>2</b> x8 M3.5*30 +1(spare)</p> 	<p><b>3</b> x34 M3.5*35 +2(spare)</p> 	<p><b>4</b> x8 M3.5*40 +1(spare)</p> 	
<p><b>5</b> x8 M3.5*50 +1(spare)</p> 	<p><b>6</b> x12 ø8*20 +2(spare)</p>  <p>wood stick</p>	<p><b>7</b> x4 M3.0*20 +1(spare)</p> 	<p><b>8</b> x1</p> 	<p><b>9</b> x2 M3.5*25</p> 

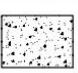
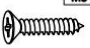
# ASSEMBLY GUIDE

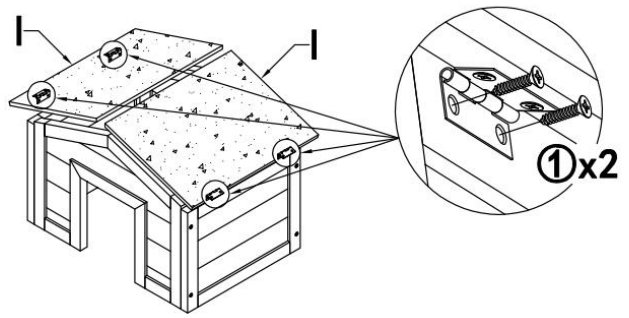


# ASSEMBLY GUIDE

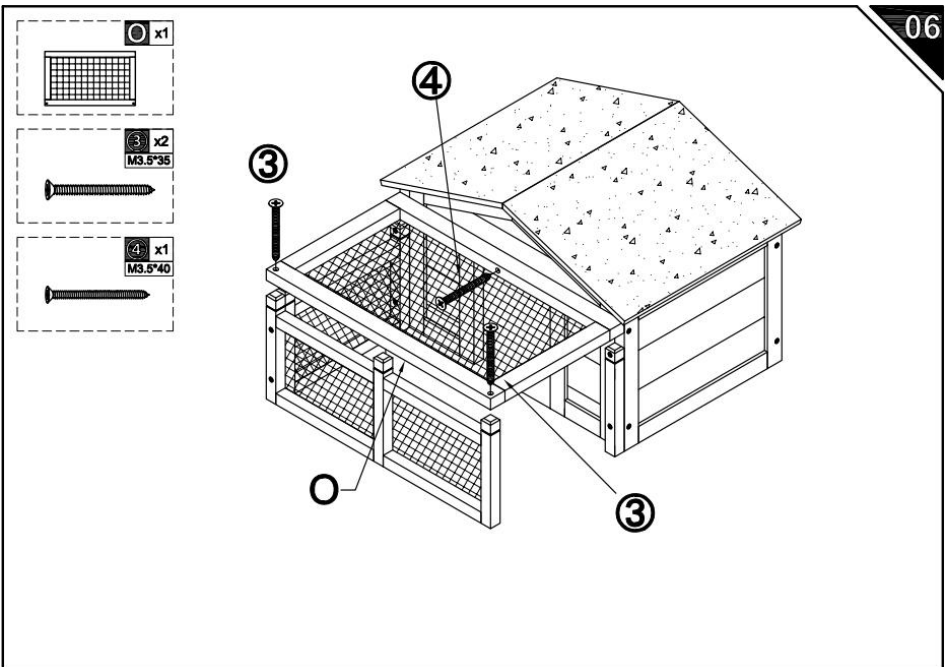
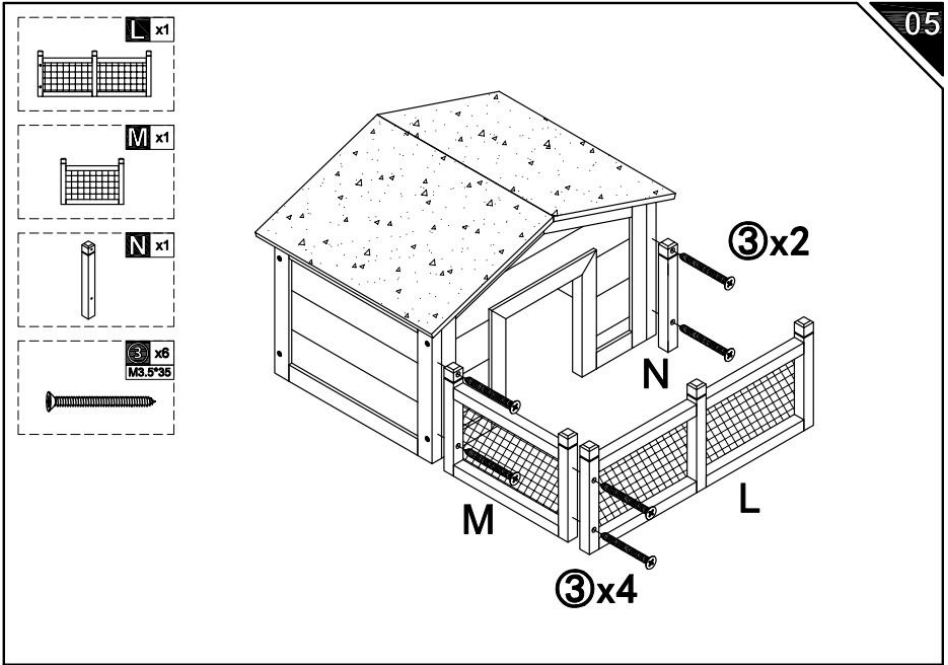
-  **F** x1
-  **G** x1
-  **H** x2
-  **3** x8  
M3,5\*35
-  **6** x8  
98\*20  
wood stick



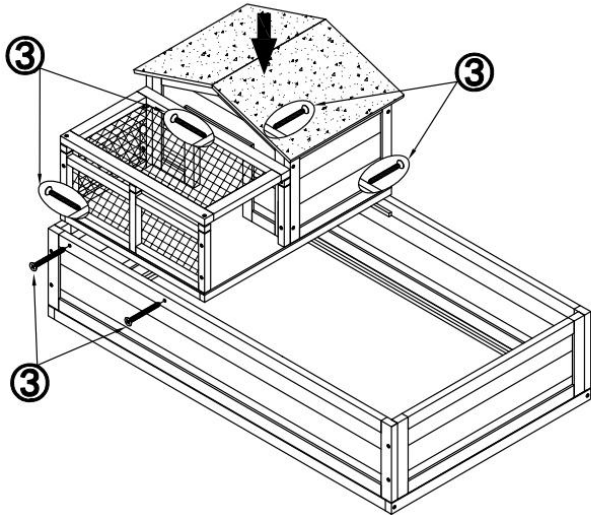
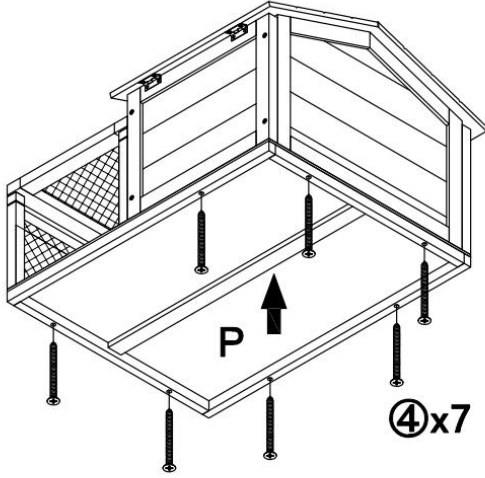
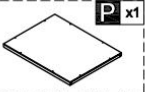
-  **I** x2
-  **1** x8  
M3\*12



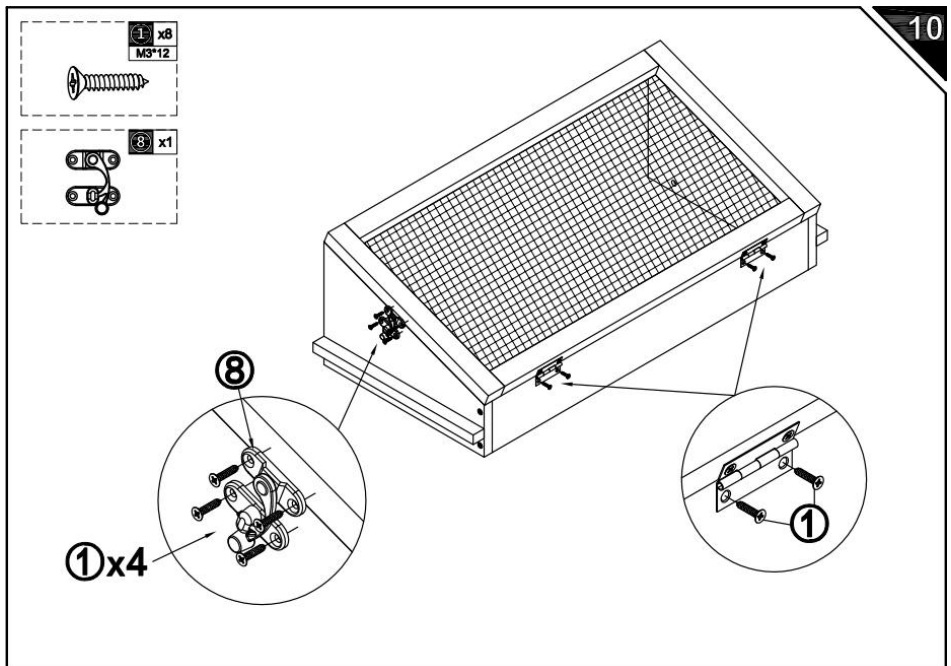
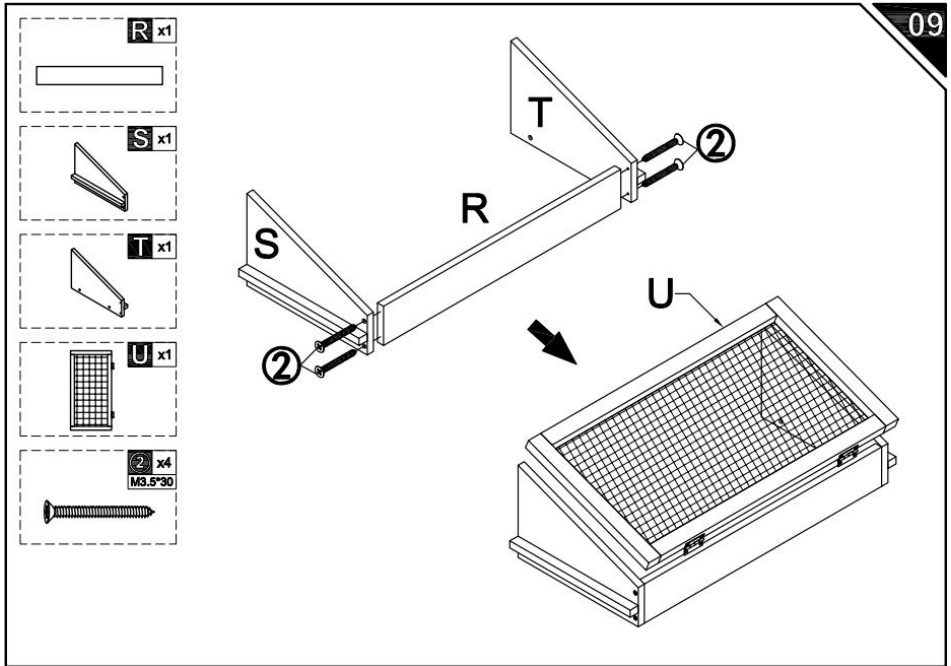
# ASSEMBLY GUIDE



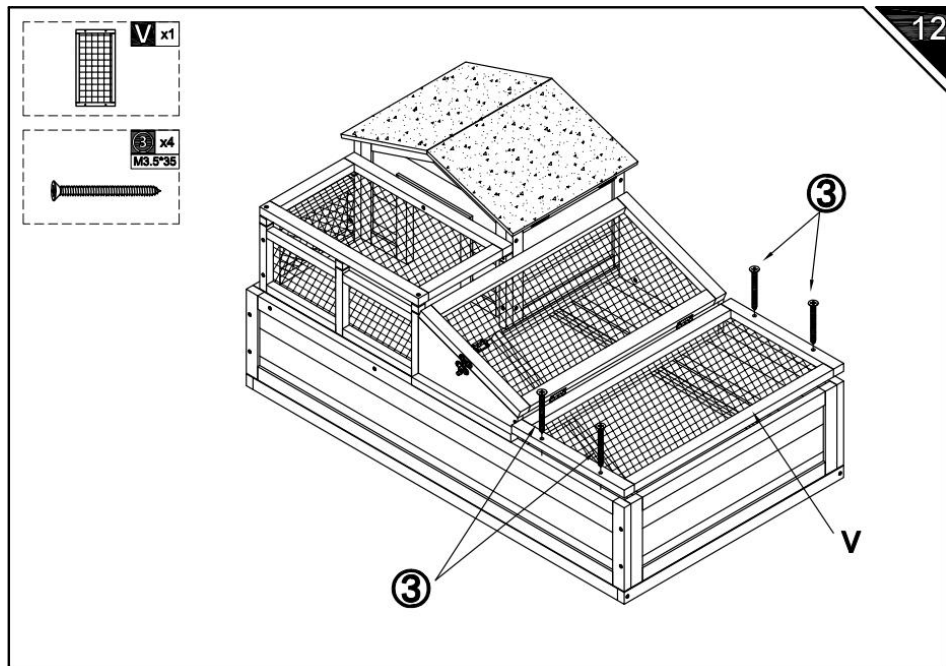
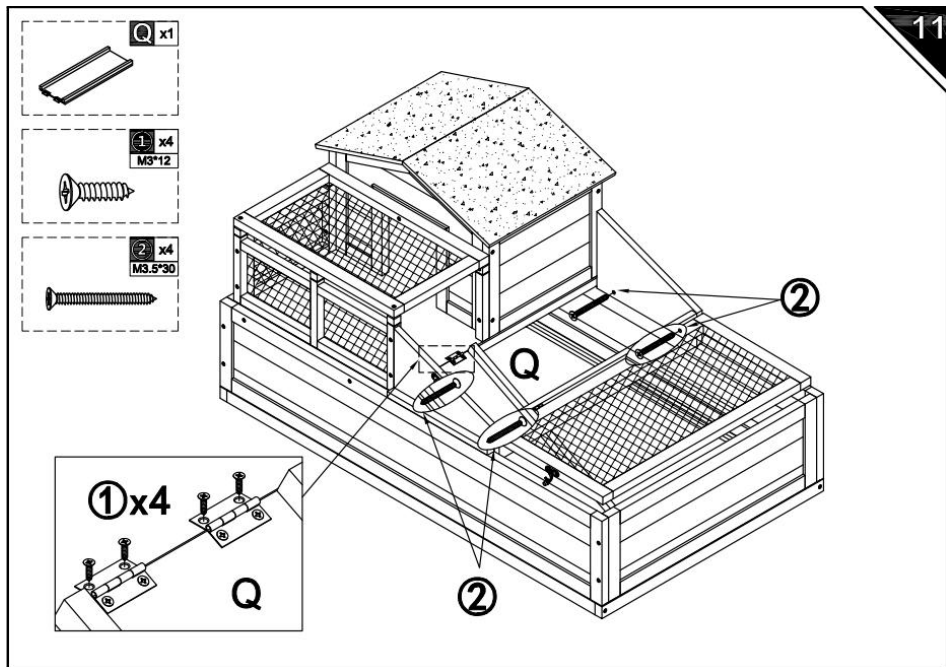
# ASSEMBLY GUIDE



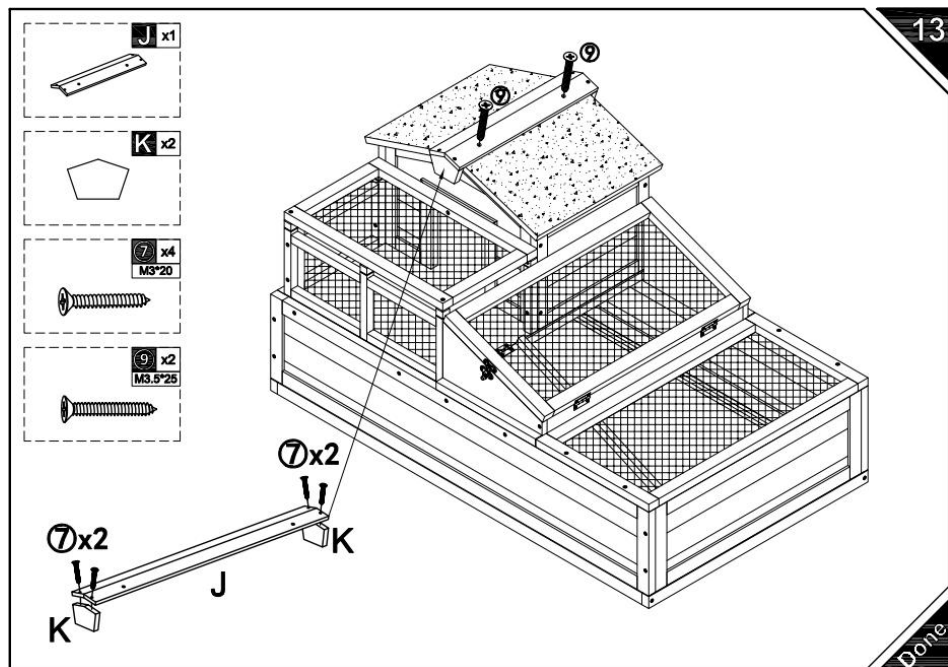
# ASSEMBLY GUIDE



# ASSEMBLY GUIDE



# ASSEMBLY GUIDE



Manufacturer: Shanghaimuxinmuyeyouxiangongsi

Address: Shuangchenglu 803nong11hao1602A-1609shi, baoshanqu, shanghai 200000 CN.

Imported to AUS: SIHAO PTY LTD. 1 ROKEVA STREETEASTWOOD NSW 2122 Australia

Imported to USA: Sanven Technology Ltd. Suite 250, 9166 Anaheim Place, Rancho Cucamonga, CA 91730

<b>EC</b>	<b>REP</b>
-----------	------------

E-CrossStu GmbH  
Mainzer Landstr.69, 60329 Frankfurt am Main.

<b>UK</b>	<b>REP</b>
-----------	------------

YH CONSULTING LIMITED.  
C/O YH Consulting Limited Office 147, Centurion House, London Road, Staines-upon-Thames, Surrey, TW18 4AX



**VEVOR**<sup>®</sup>

**TOUGH TOOLS, HALF PRICE**

**Technical Support and E-Warranty Certificate**

**[www.vevor.com/support](http://www.vevor.com/support)**

# **VEVOR<sup>®</sup>**

## **TOUGH TOOLS, HALF PRICE**

Tecnico Supporto e certificato di garanzia elettronica [www.vevor.com/support](http://www.vevor.com/support)

### **CASA DELLE TARTARUGHE**

**MODELLO: TY-P1052**

We continue to be committed to provide you tools with competitive price.

"Save Half", "Half Price" or any other similar expressions used by us only represents an estimate of savings you might benefit from buying certain tools with us compared to the major top brands and does not necessarily mean to cover all categories of tools offered by us. You are kindly reminded to verify carefully when you are placing an order with us if you are actually saving half in comparison with the top major brands.

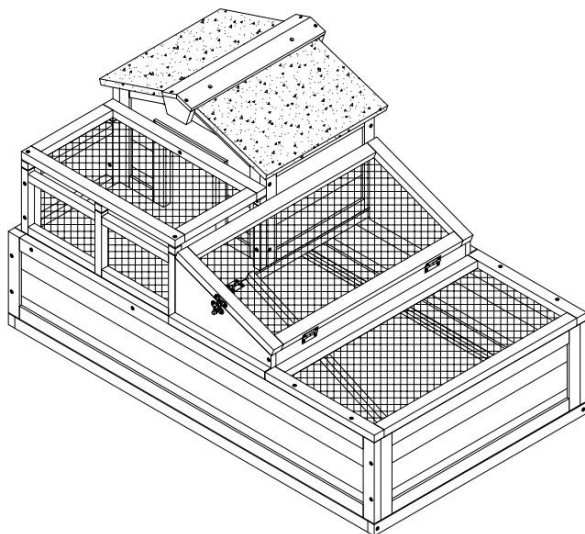


# VEVOR®

TOUGH TOOLS, HALF PRICE

## TORTOISE HOUSE

MODELLO: TY-P1052



### NEED HELP? CONTACT US!

Have product questions? Need technical support? Please feel free to contact us:

**Technical Support and E-Warranty Certificate**  
**[www.vevor.com/support](http://www.vevor.com/support)**

This is the original instruction, please read all manual instructions carefully before operating. VEVOR reserves a clear interpretation of our user manual. The appearance of the product shall be subject to the product you received. Please forgive us that we won't inform you again if there are any technology or software updates on our product.



Avvertenza: per ridurre il rischio di lesioni, l'utente deve leggere attentamente il manuale di istruzioni.

## WARNING & PRECAUTIONS

### AVVERTIMENTO :

1. Indossare guanti protettivi quando si utilizzano strumenti per installare la segnaletica fissa oppure avvalersi di due persone per assistere durante l'installazione.
2. Durante l'utilizzo, leggere prima questo manuale e si consiglia di conservarlo con cura per una visione successiva.
3. **Non** posizionare piastre riscaldanti e installare le ruote sotto per evitare di surriscaldare il legno e praticare fori che potrebbero causare la spaccatura del legno.
4. Questo prodotto è adatto per l'uso con piccoli rettili , come tartarughe, gechi, serpenti, lucertole e così via .
5. Prima della prima installazione e utilizzo è necessario asciugare le parti per almeno un giorno per ridurre ed eliminare gli odori.

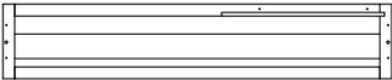
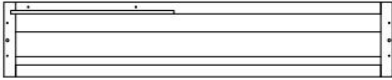
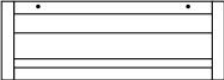
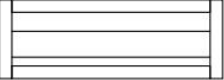

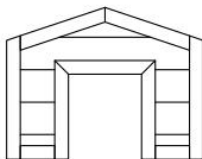
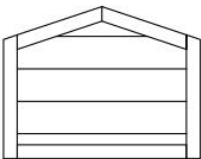
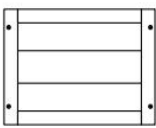
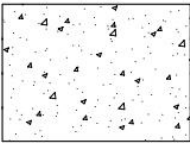
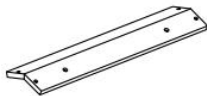
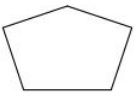
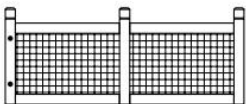
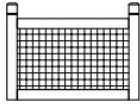

## PRODUCT DESCRIPTION

<b>Modello</b>	TY-P1052
<b>Colore</b>	Grigio e bianco
<b>Materiale</b>	Abete , ABS e rete metallica
<b>Taglia del prodotto</b>	1120*650*615 millimetri

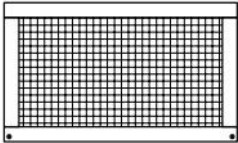
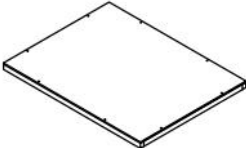


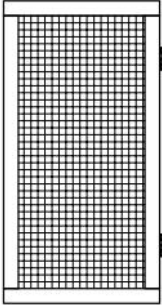
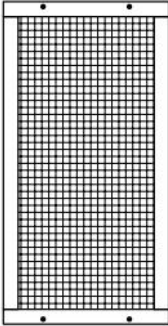
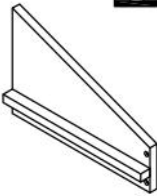
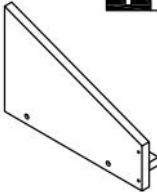







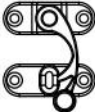

**Dimensioni  
dell'imballaggio**

1185\*735\*118 millimetri

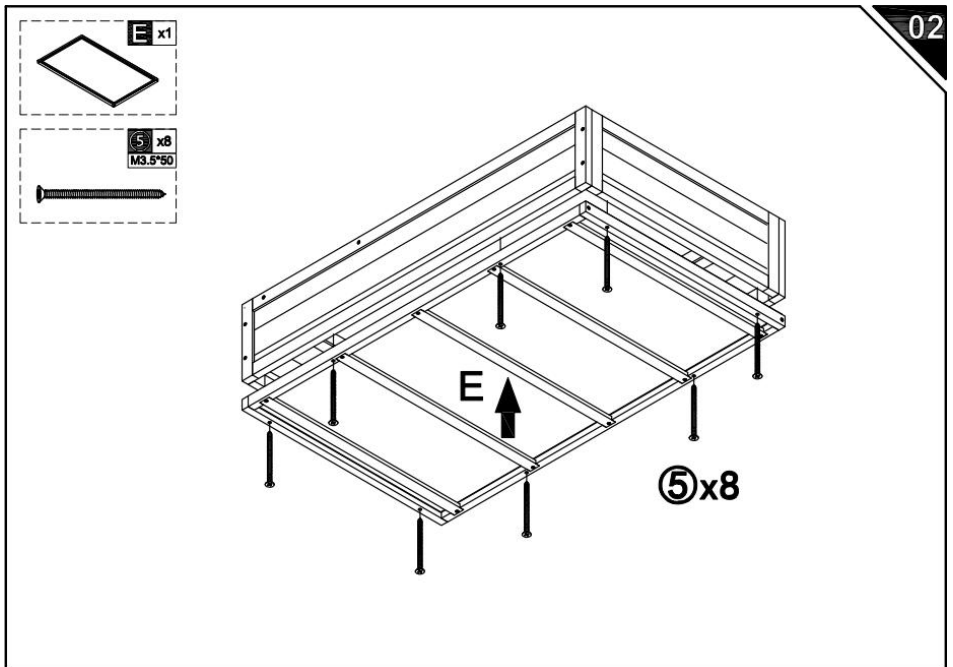
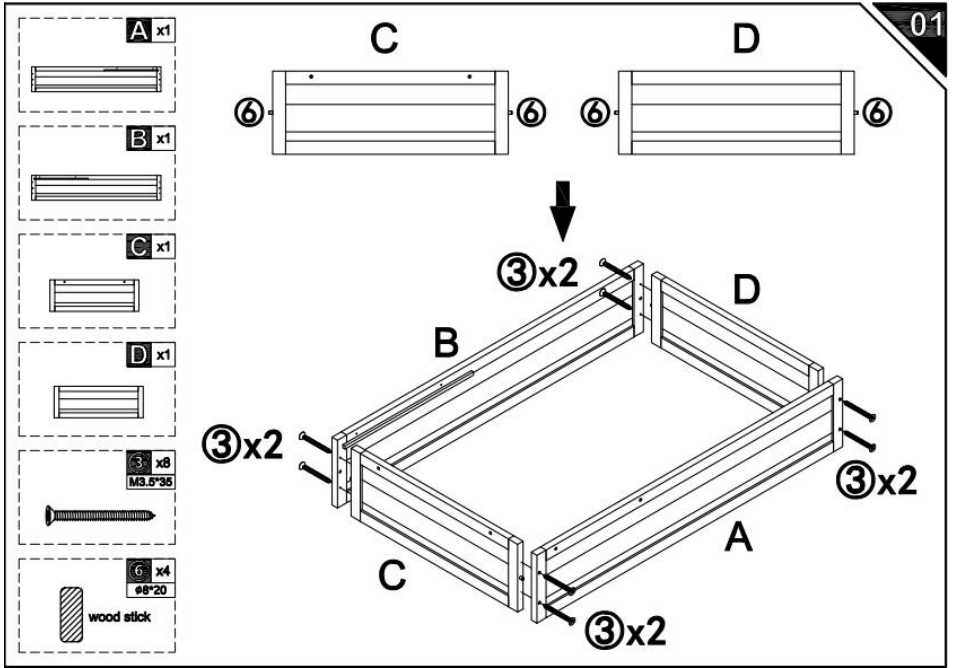
# PART LIST

<b>A</b> x1 	<b>B</b> x1 	
<b>C</b> x1 	<b>D</b> x1 	<b>E</b> x1 
<b>F</b> x1 	<b>G</b> x1 	<b>H</b> x2 
<b>I</b> x1 	<b>J</b> x1 	<b>K</b> x1 
<b>L</b> x1 	<b>M</b> x1 	<b>N</b> x1 

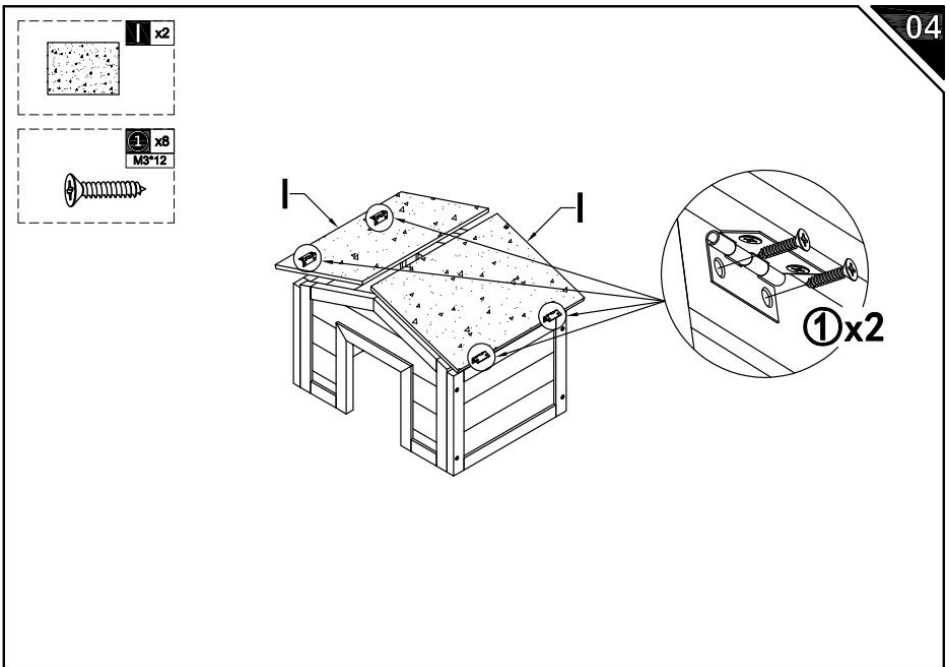
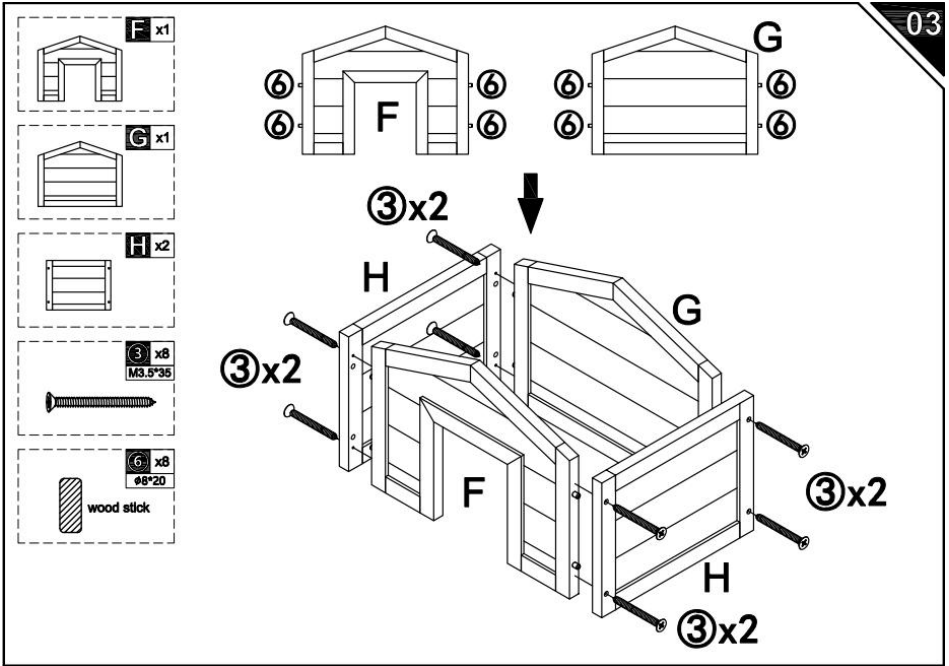
# PART LIST

<p><b>O</b> x1</p> 	<p><b>P</b> x1</p> 	<p><b>Q</b> x1</p> 		
<p><b>R</b> x1</p> 	<p><b>U</b> x1</p> 	<p><b>V</b> x1</p> 		
<p><b>S</b> x1</p> 	<p><b>T</b> x1</p> 			
<p><b>1</b> x20 M3*12 +2(spare)</p> 	<p><b>2</b> x8 M3.5*30 +1(spare)</p> 	<p><b>3</b> x34 M3.5*35 +2(spare)</p> 	<p><b>4</b> x8 M3.5*40 +1(spare)</p> 	
<p><b>5</b> x8 M3.5*50 +1(spare)</p> 	<p><b>6</b> x12 ø8*20 +2(spare)</p>  <p>wood stick</p>	<p><b>7</b> x4 M3.0*20 +1(spare)</p> 	<p><b>8</b> x1</p> 	<p><b>9</b> x2 M3.5*25</p> 

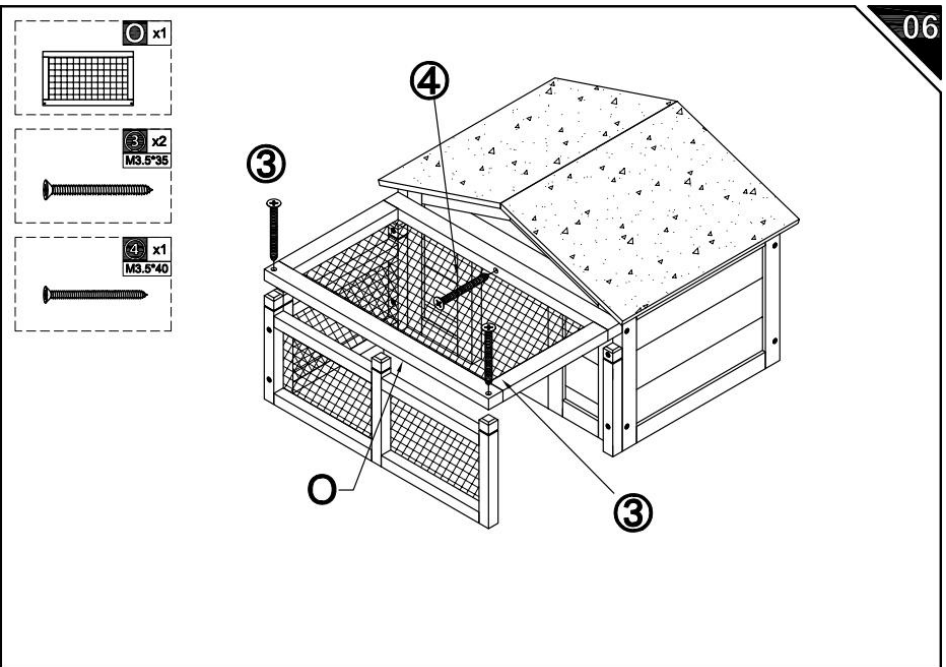
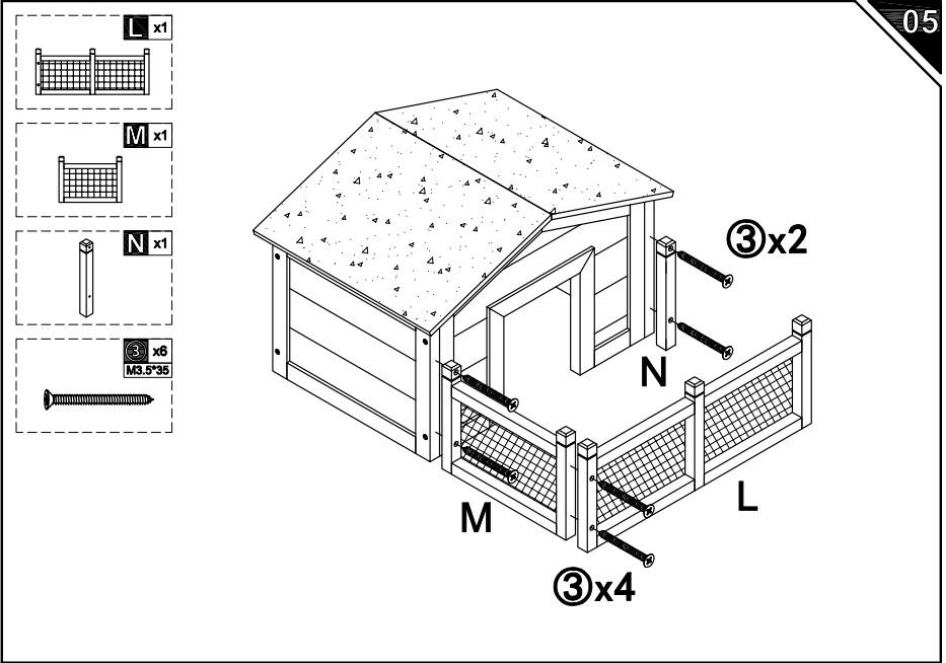
# ASSEMBLY GUIDE



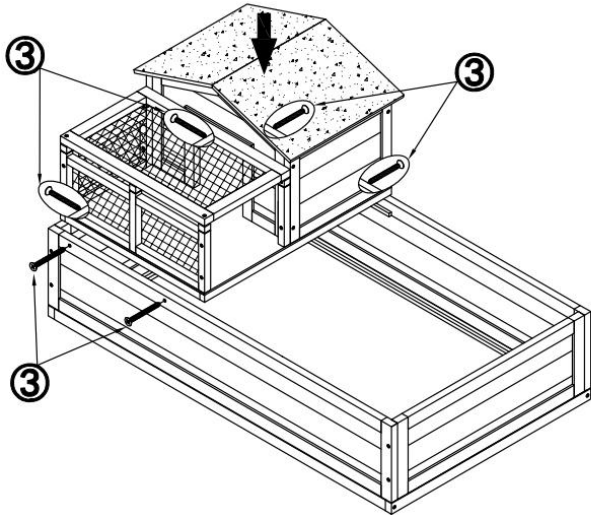
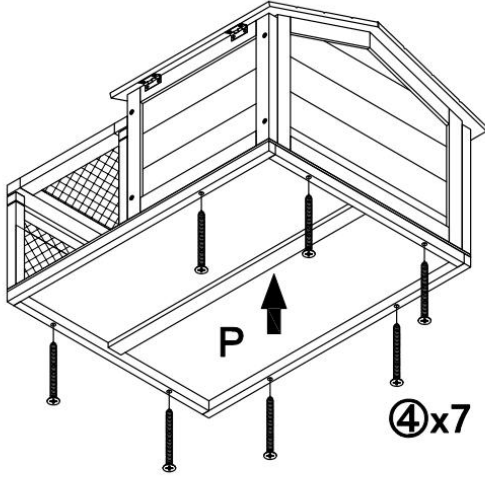
# ASSEMBLY GUIDE



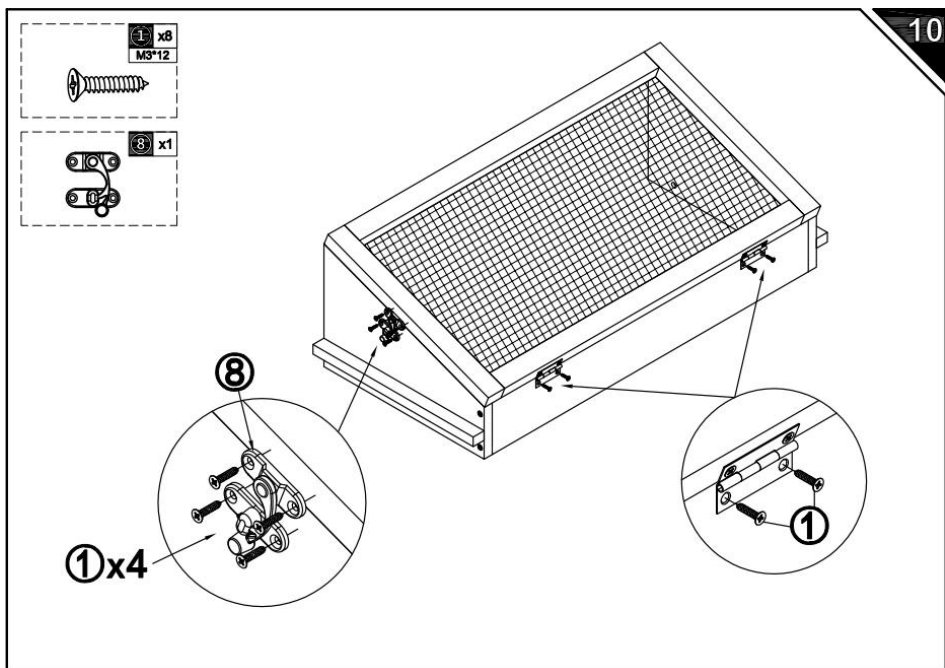
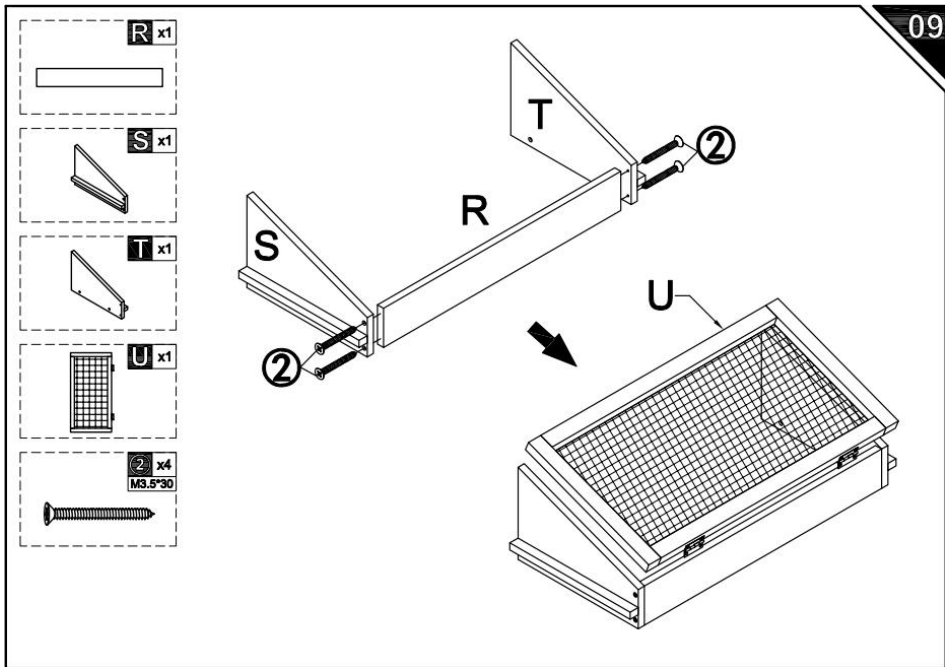
# ASSEMBLY GUIDE



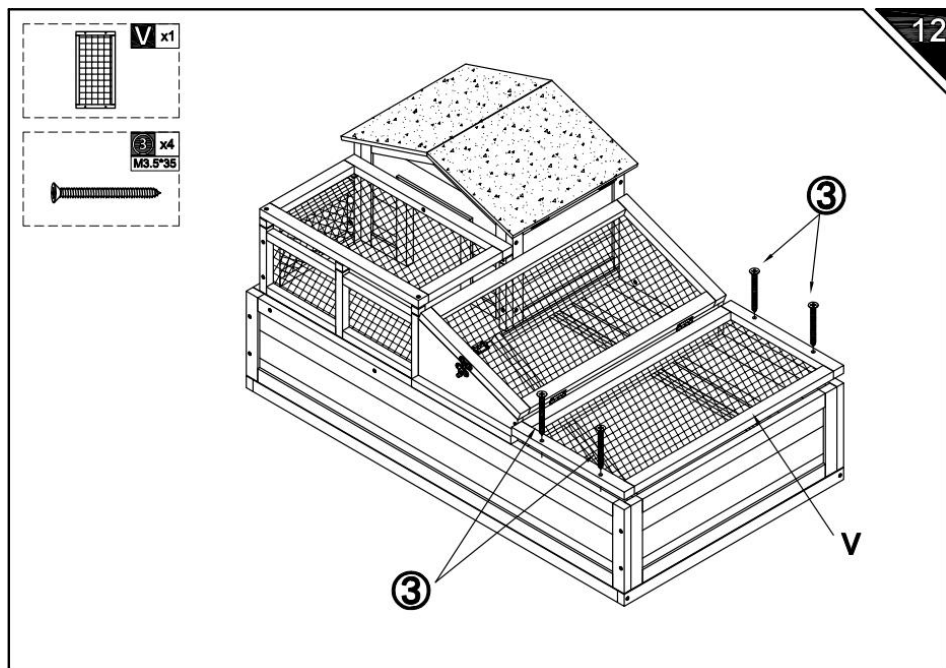
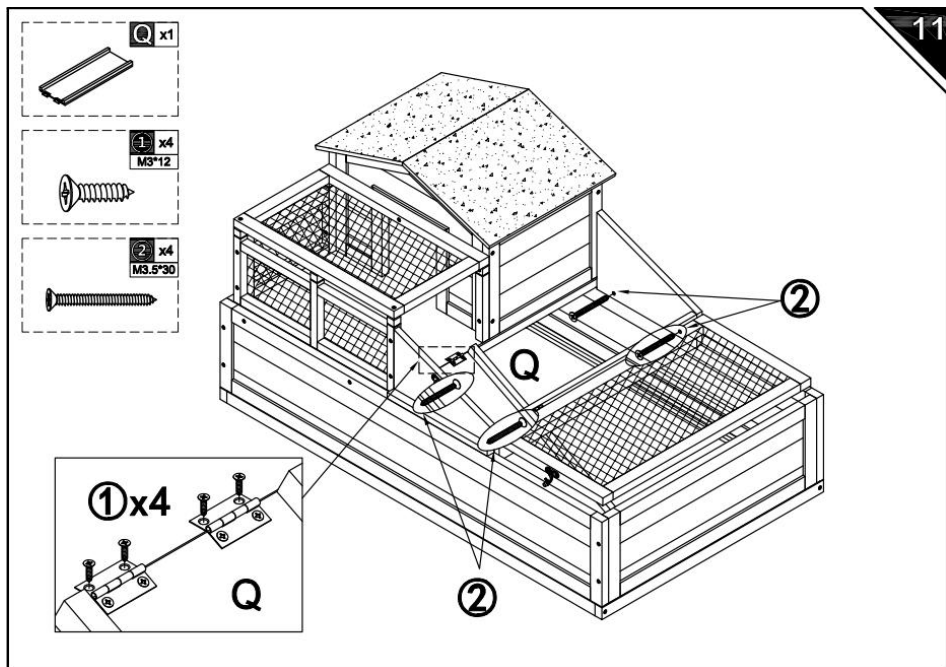
# ASSEMBLY GUIDE



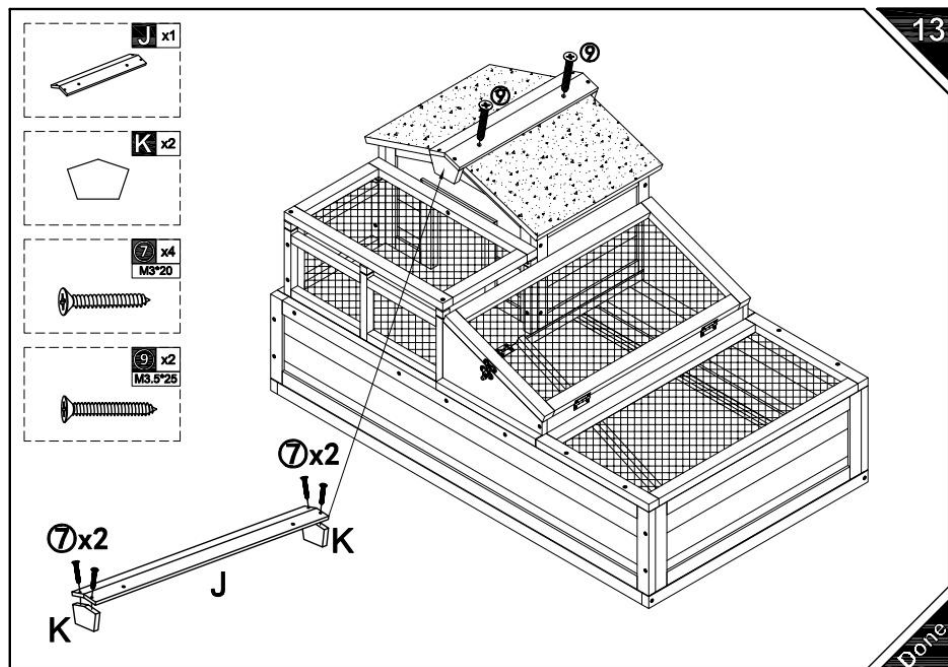
# ASSEMBLY GUIDE



# ASSEMBLY GUIDE



# ASSEMBLY GUIDE



Produttore: Shanghai muxinmuyeyouxiangongsi

Indirizzo: Shuangchenglu 803nong11hao1602A-1609shi, baoshanqu, shanghai 200000 CN.

Importato in AUS: SIHAO PTY LTD. 1 ROKEVA STREET EASTWOOD NSW 2122 Australia

Importato negli Stati Uniti: Sanven Technology Ltd. Suite 250, 9166 Anaheim Place, Rancho Cucamonga, CA 91730



E-CrossStu GmbH  
Mainzer Landstr.69, 60329 Frankfurt am Main.



YH CONSULTING LIMITED.  
C/O YH Consulting Limited Office 147, Centurion House, London Road, Staines-upon-Thames, Surrey, TW18 4AX



**VEVOR**<sup>®</sup>

**TOUGH TOOLS, HALF PRICE**

**Tecnico Supporto e certificato di garanzia elettronica**

**[www.vevor.com/support](http://www.vevor.com/support)**

# **VEVOR<sup>®</sup>**

## **TOUGH TOOLS, HALF PRICE**

Techniczny Certyfikat wsparcia i e-gwarancji [www.vevor.com/support](http://www.vevor.com/support)

### **DOM ŻÓŁWIA**

**MODEL: TY-P1052**

We continue to be committed to provide you tools with competitive price.

"Save Half", "Half Price" or any other similar expressions used by us only represents an estimate of savings you might benefit from buying certain tools with us compared to the major top brands and does not necessarily mean to cover all categories of tools offered by us. You are kindly reminded to verify carefully when you are placing an order with us if you are actually saving half in comparison with the top major brands.

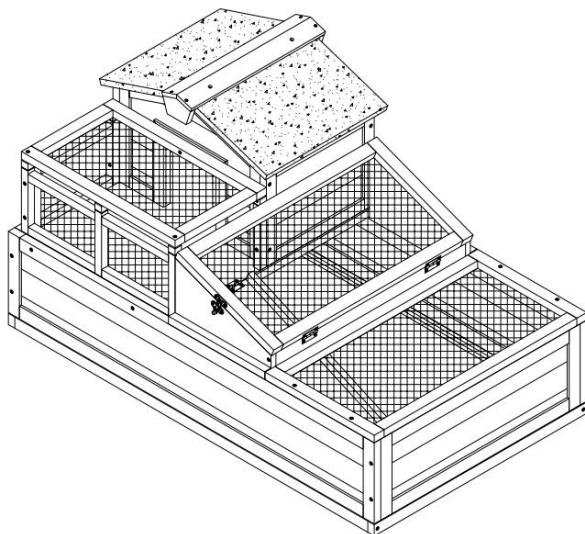


# VEVOR<sup>®</sup>

TOUGH TOOLS, HALF PRICE

## TORTOISE HOUSE

MODEL: TY-P1052



### NEED HELP? CONTACT US!

Have product questions? Need technical support? Please feel free to contact us:

**Technical Support and E-Warranty Certificate**  
**[www.vevor.com/support](http://www.vevor.com/support)**

This is the original instruction, please read all manual instructions carefully before operating. VEVOR reserves a clear interpretation of our user manual. The appearance of the product shall be subject to the product you received. Please forgive us that we won't inform you again if there are any technology or software updates on our product.



Ostrzeżenie — aby zmniejszyć ryzyko obrażeń, użytkownik musi uważnie przeczytać instrukcję obsługi.

## WARNING & PRECAUTIONS

### OSTRZEŻENIE :

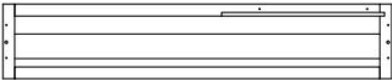
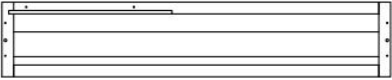
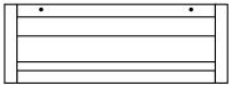
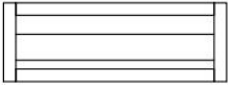

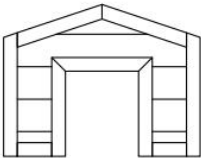
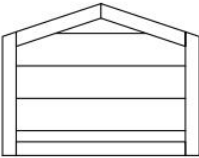
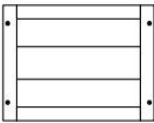

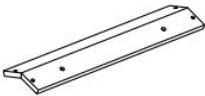
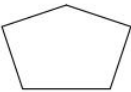
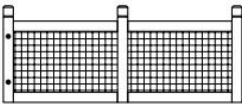
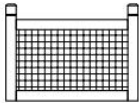

1. Podczas używania narzędzi do montażu stałych drogowskazów należy nosić rękawice ochronne lub przy montażu korzystać z pomocy dwóch osób.
2. Podczas użytkowania prosimy najpierw przeczytać niniejszą instrukcję. Zaleca się zachowanie jej do późniejszego wykorzystania.
3. **Nie** umieszczaj poduszek grzewczych i nie instaluj kółek pod spodem, aby uniknąć przegrzania drewna i wywiercenia otworów, które mogłyby spowodować pęknięcie drewna.
4. Ten produkt jest odpowiedni do stosowania w przypadku małych gadów , takich jak żółwie, gekony, węże, jaszczurki i tak dalej .
5. Przed pierwszym montażem i użyciem należy suszyć części przez co najmniej jeden dzień w celu ograniczenia i wyeliminowania nieprzyjemnych zapachów.

## PRODUCT DESCRIPTION

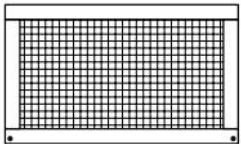
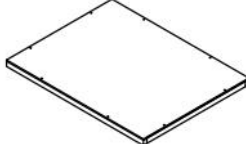


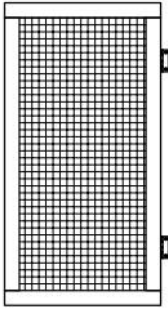
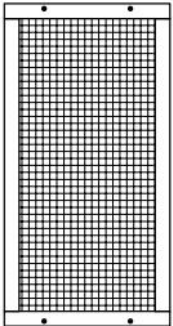
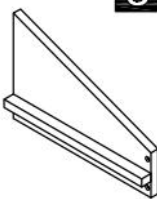
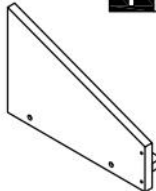




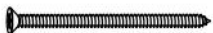


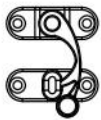

<b>Model</b>	TY-P1052
<b>Kolor</b>	Szaro - biały
<b>Materiał</b>	Jodła i ABS i siatka druciana

<b>Rozmiar produktu</b>	1120*650*615mm
<b>Wielkość opakowania</b>	1185*735* 118mm

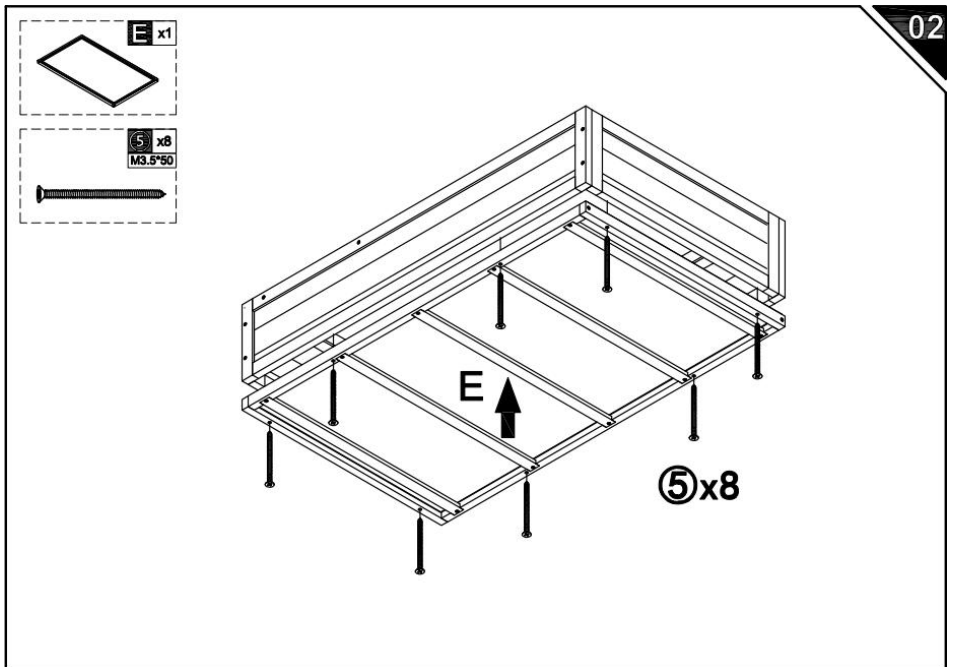
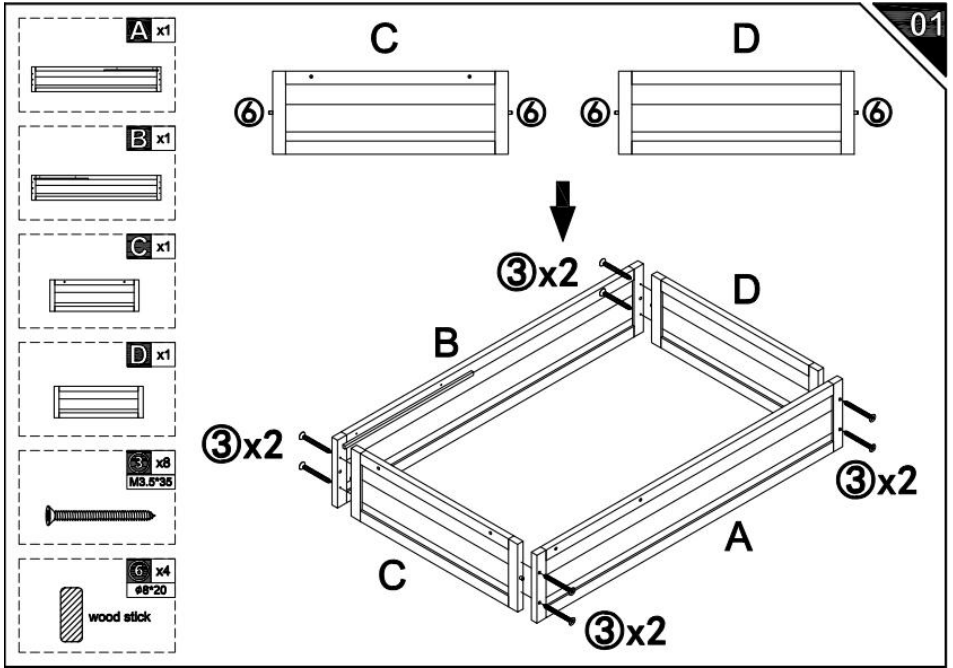
# PART LIST

<b>A</b> x1 	<b>B</b> x1 	
<b>C</b> x1 	<b>D</b> x1 	<b>E</b> x1 
<b>F</b> x1 	<b>G</b> x1 	<b>H</b> x2 
<b>I</b> x1 	<b>J</b> x1 	<b>K</b> x1 
<b>L</b> x1 	<b>M</b> x1 	<b>N</b> x1 

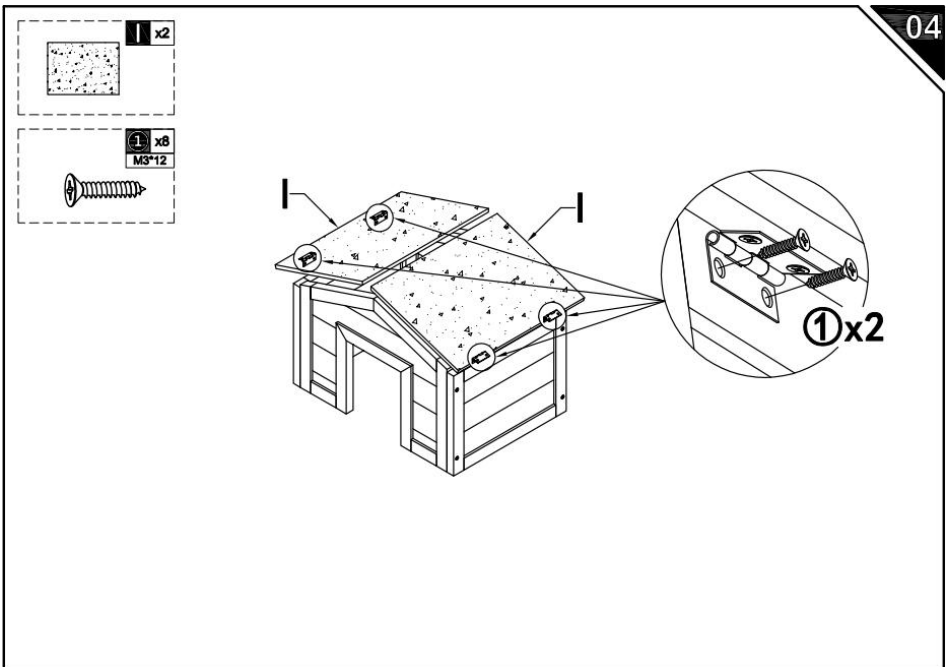
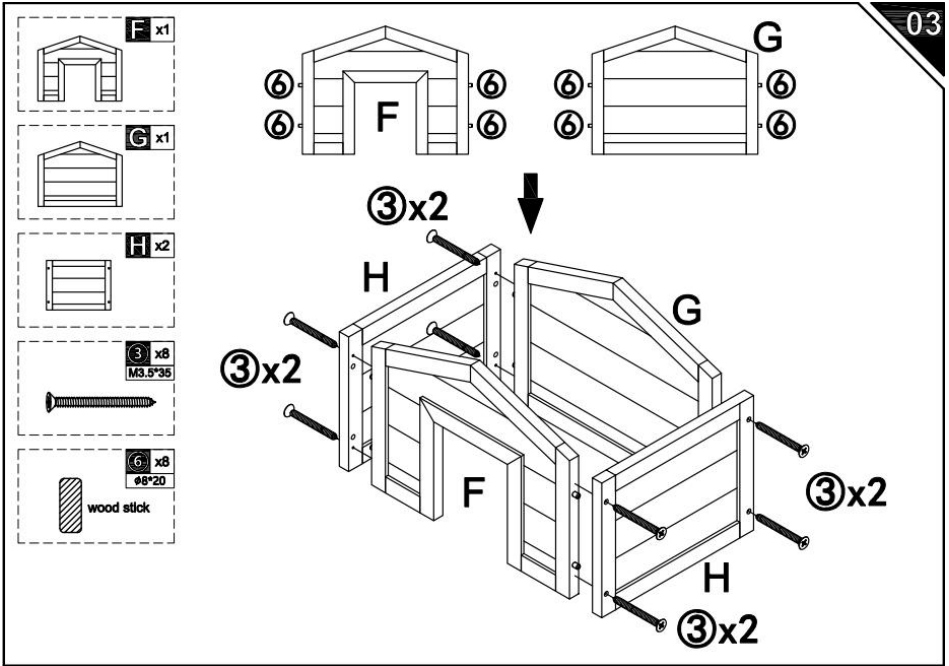
# PART LIST

<p><b>O</b> x1</p> 	<p><b>P</b> x1</p> 	<p><b>Q</b> x1</p> 		
<p><b>R</b> x1</p> 		<p><b>U</b> x1</p> 	<p><b>V</b> x1</p> 	
<p><b>S</b> x1</p> 	<p><b>T</b> x1</p> 			
<p><b>1</b> x20 M3*12 +2(spare)</p> 	<p><b>2</b> x8 M3.5*30 +1(spare)</p> 	<p><b>3</b> x34 M3.5*35 +2(spare)</p> 	<p><b>4</b> x8 M3.5*40 +1(spare)</p> 	
<p><b>5</b> x8 M3.5*50 +1(spare)</p> 	<p><b>6</b> x12 ø8*20 +2(spare)</p>  <p>wood stick</p>	<p><b>7</b> x4 M3.0*20 +1(spare)</p> 	<p><b>8</b> x1</p> 	<p><b>9</b> x2 M3.5*25</p> 

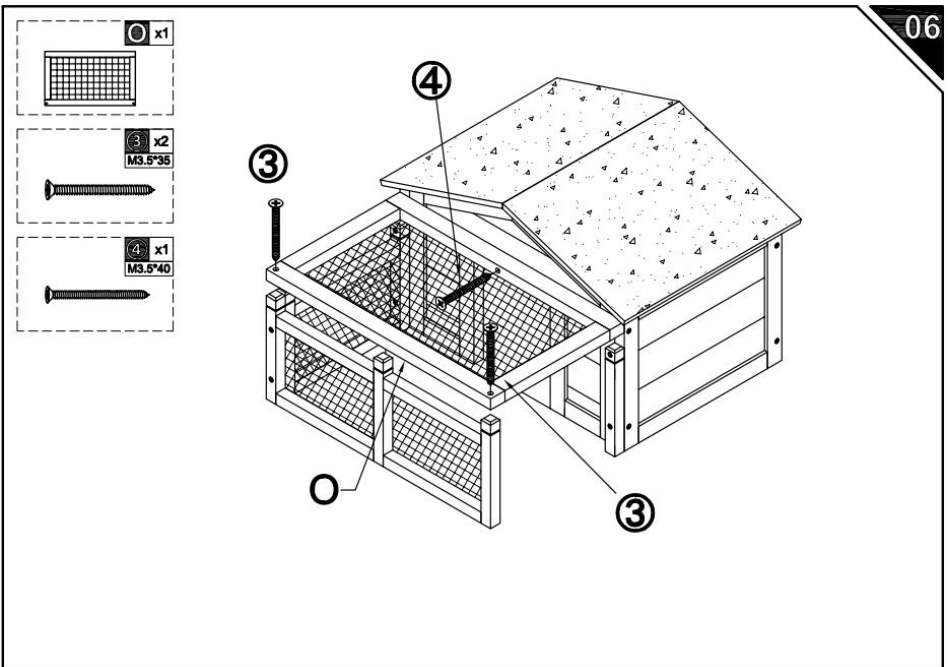
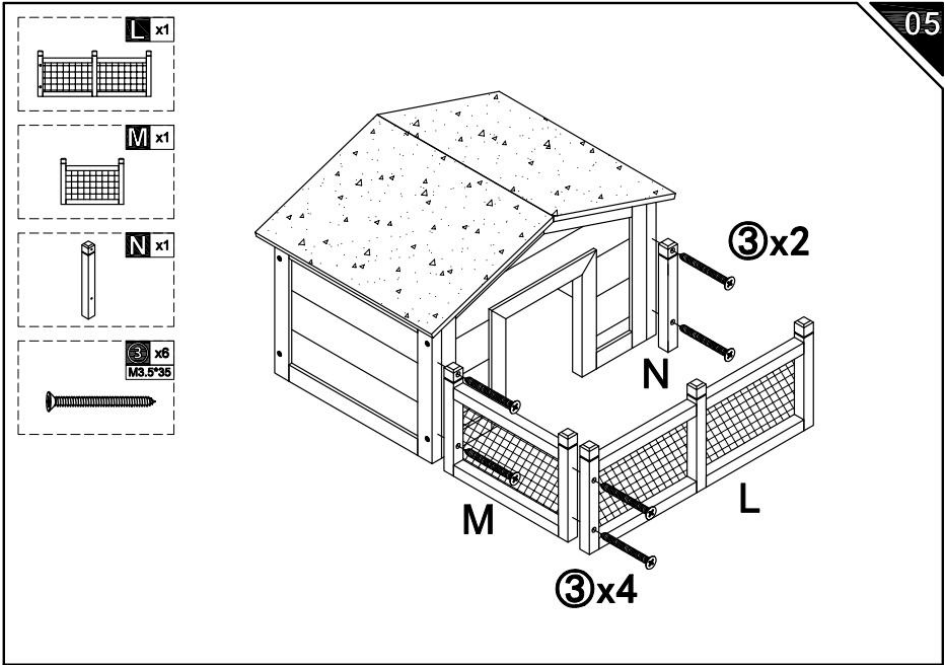
# ASSEMBLY GUIDE



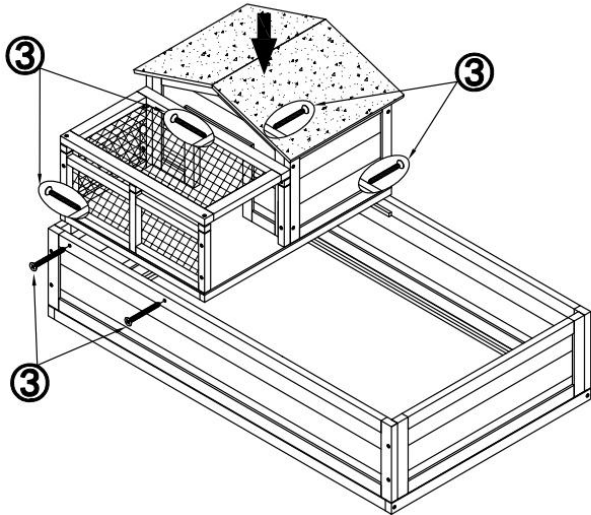
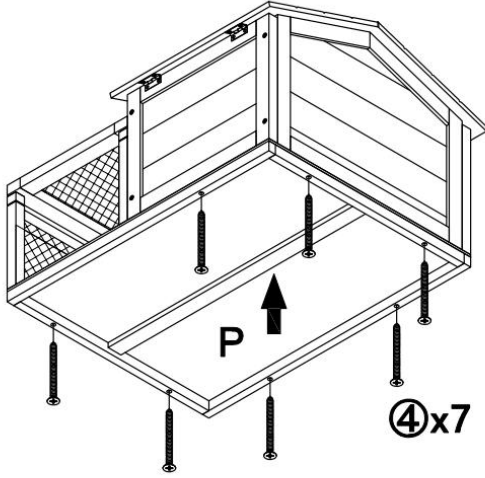
# ASSEMBLY GUIDE



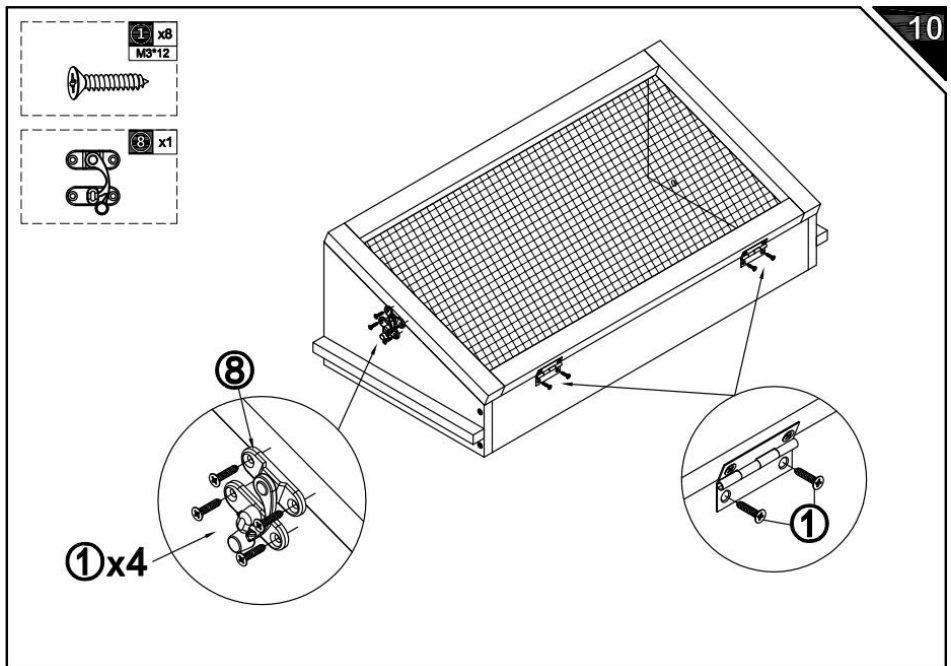
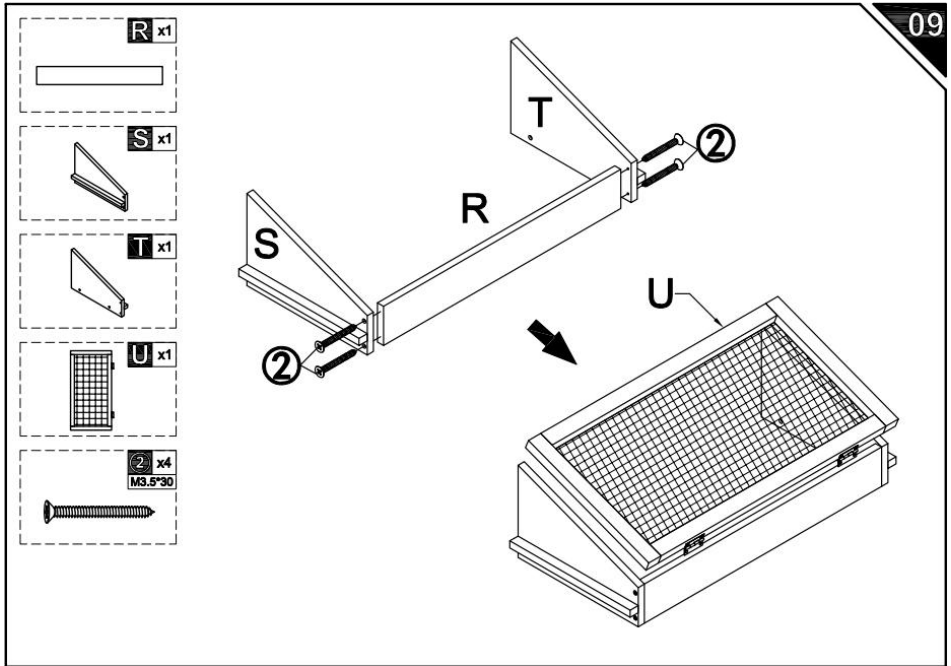
# ASSEMBLY GUIDE



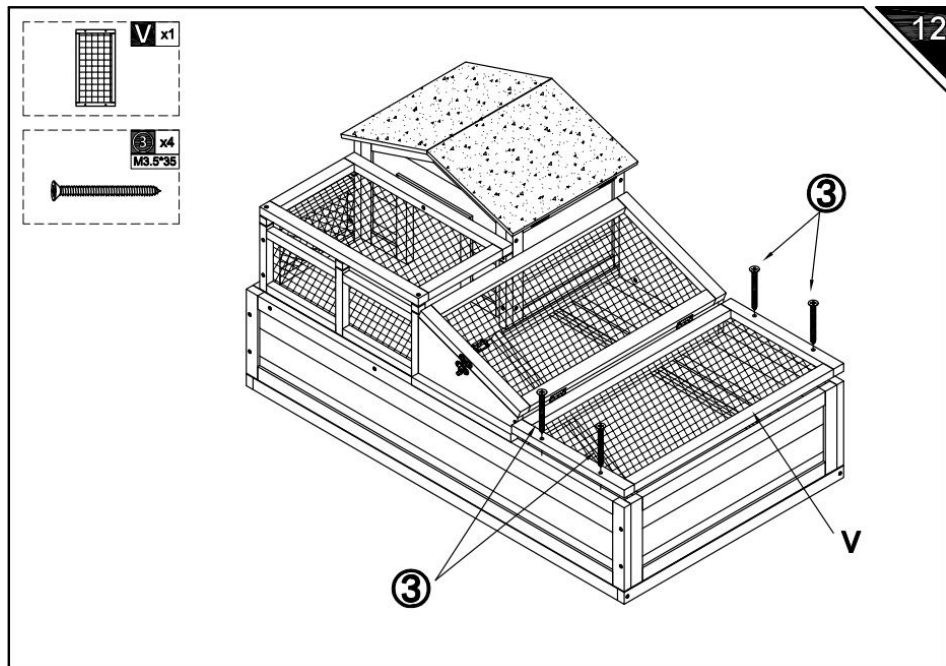
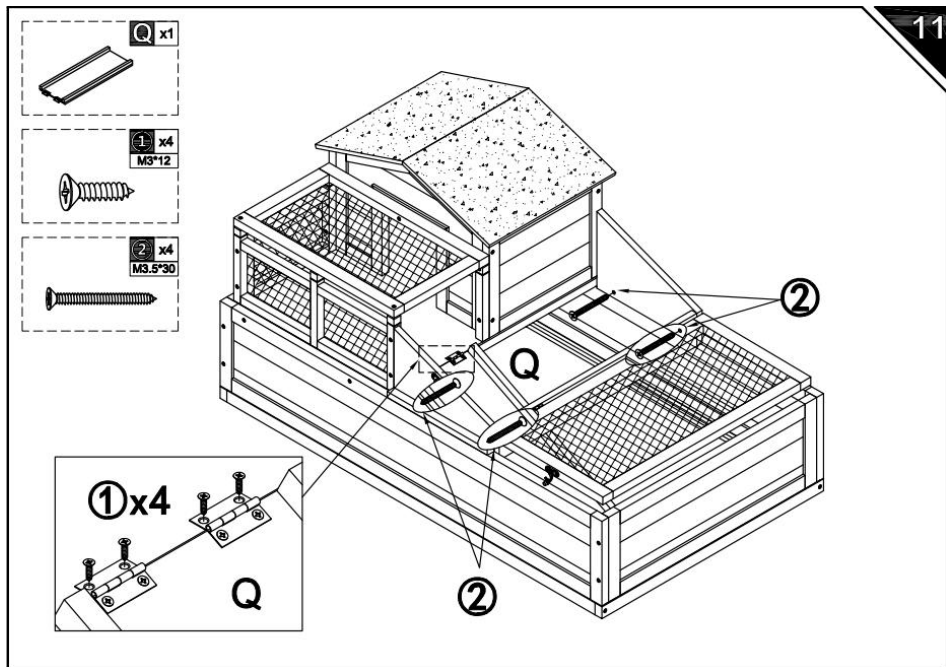
# ASSEMBLY GUIDE



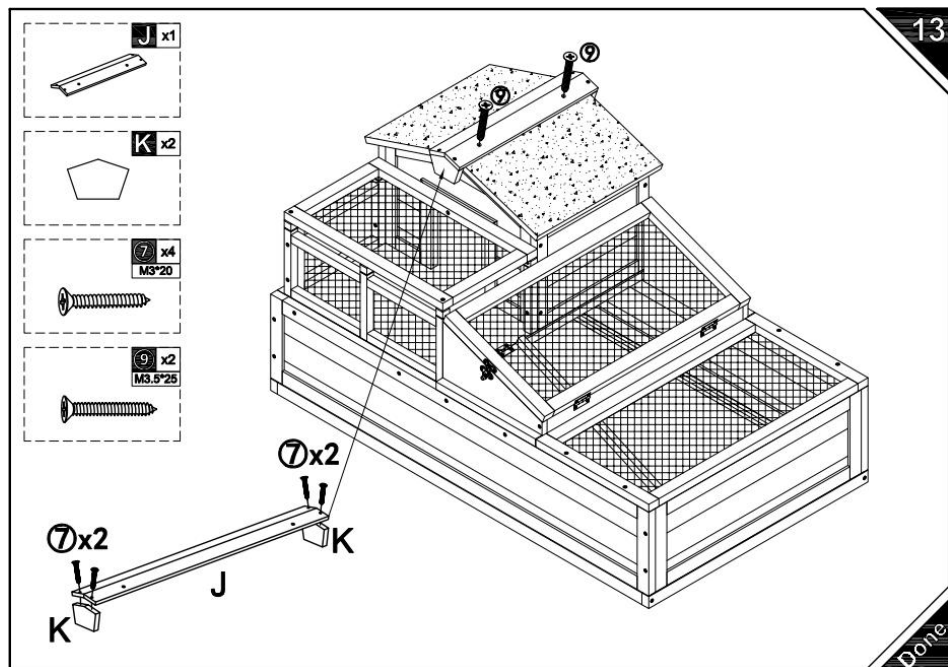
# ASSEMBLY GUIDE



# ASSEMBLY GUIDE



# ASSEMBLY GUIDE



Producent: Shanghaimuxinmuyeyouxiangongsi

Adres: Shuangchenglu 803nong11hao1602A-1609shi, baoshanqu,  
szanghaj 200000 CN.

Import do AUS: SIHAO PTY LTD. 1 ROKEVA STREETEASTWOOD NSW  
2122 Australia

Import do USA: Sanven Technology Ltd. Suite 250, 9166 Anaheim Place,  
Rancho Cucamonga, CA 91730

<b>EC</b>	<b>REP</b>
-----------	------------

E-CrossStu GmbH  
Mainzer Landstr.69, 60329 Frankfurt am Main.

<b>UK</b>	<b>REP</b>
-----------	------------

YH CONSULTING LIMITED.  
C/O YH Consulting Limited Office 147, Centurion  
House, London Road, Staines-upon-Thames,  
Surrey, TW18 4AX



# **VEVOR**<sup>®</sup>

**TOUGH TOOLS, HALF PRICE**

**Techniczny Certyfikat wsparcia i e-gwarancji**

**[www.vevor.com/support](http://www.vevor.com/support)**

# **VEVOR<sup>®</sup>**

**TOUGH TOOLS, HALF PRICE**

Technisch Support und E-Garantie-Zertifikat [www.vevor.com/support](http://www.vevor.com/support)

## **SCHILDKRÖTENHAUS**

**MODELL: TY-P1052**

We continue to be committed to provide you tools with competitive price. "Save Half", "Half Price" or any other similar expressions used by us only represents an estimate of savings you might benefit from buying certain tools with us compared to the major top brands and does not necessarily mean to cover all categories of tools offered by us. You are kindly reminded to verify carefully when you are placing an order with us if you are actually saving half in comparison with the top major brands.

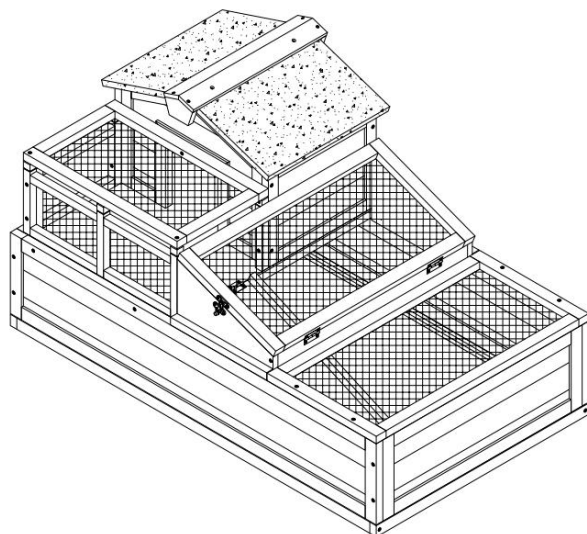


# VEVOR<sup>®</sup>

TOUGH TOOLS, HALF PRICE

## TORTOISE HOUSE

MODELL: TY-P1052



### NEED HELP? CONTACT US!

Have product questions? Need technical support? Please feel free to contact us:

**Technical Support and E-Warranty Certificate**  
[www.vevor.com/support](http://www.vevor.com/support)

This is the original instruction, please read all manual instructions carefully before operating. VEVOR reserves a clear interpretation of our user manual. The appearance of the product shall be subject to the product you received. Please forgive us that we won't inform you again if there are any technology or software updates on our product.



Warnung: Um das Verletzungsrisiko zu verringern, muss der Benutzer die Bedienungsanleitung sorgfältig lesen.

## WARNING & PRECAUTIONS

### WARNUNG :

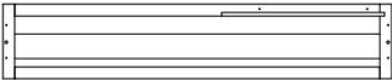
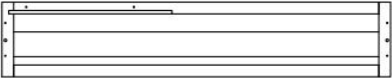
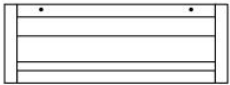
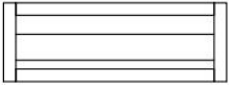

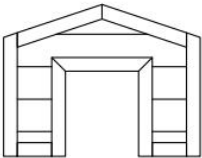
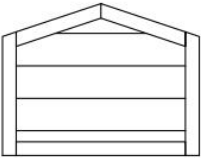


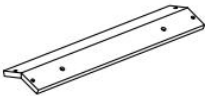

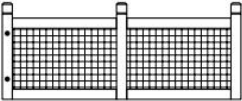
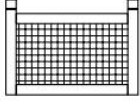

1. Tragen Sie beim Einsatz von Werkzeugen zur Montage von festen Wegweisern Schutzhandschuhe oder lassen Sie sich bei der Montage von zwei Personen helfen.
2. Lesen Sie vor der Verwendung zunächst dieses Handbuch durch. Es wird empfohlen, es für die spätere Verwendung gut aufzubewahren.
3. **Platzieren Sie keine** Heizkissen und montieren Sie keine Räder darunter, um eine Überhitzung des Holzes und das Bohren von Löchern zu vermeiden, die zum Spalten des Holzes führen könnten.
4. Dieses Produkt ist für den Einsatz bei kleinen Reptilien wie Schildkröten , Geckos, Schlangen, Eidechsen usw. geeignet .
5. Vor der ersten Installation und Verwendung müssen Sie die Teile mindestens einen Tag lang trocknen um Gerüche zu reduzieren und zu beseitigen.

## PRODUCT DESCRIPTION

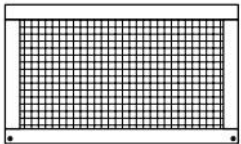
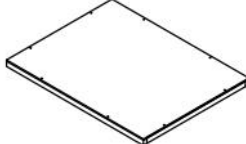


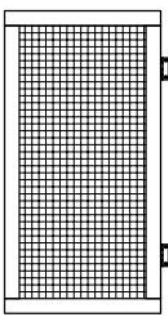
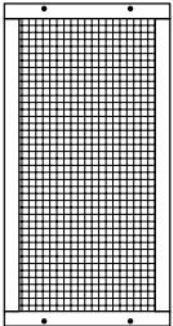
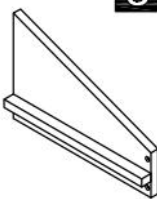
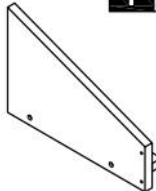




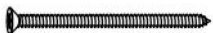


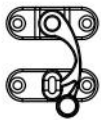

<b>Modell</b>	TY-P1052
<b>Farbe</b>	Grau weiß
<b>Material</b>	Tanne & ABS & Drahtgeflecht

<b>Produktgröße</b>	1120 x 650 x 615 mm
<b>Packungsgröße</b>	1185*735*118 mm

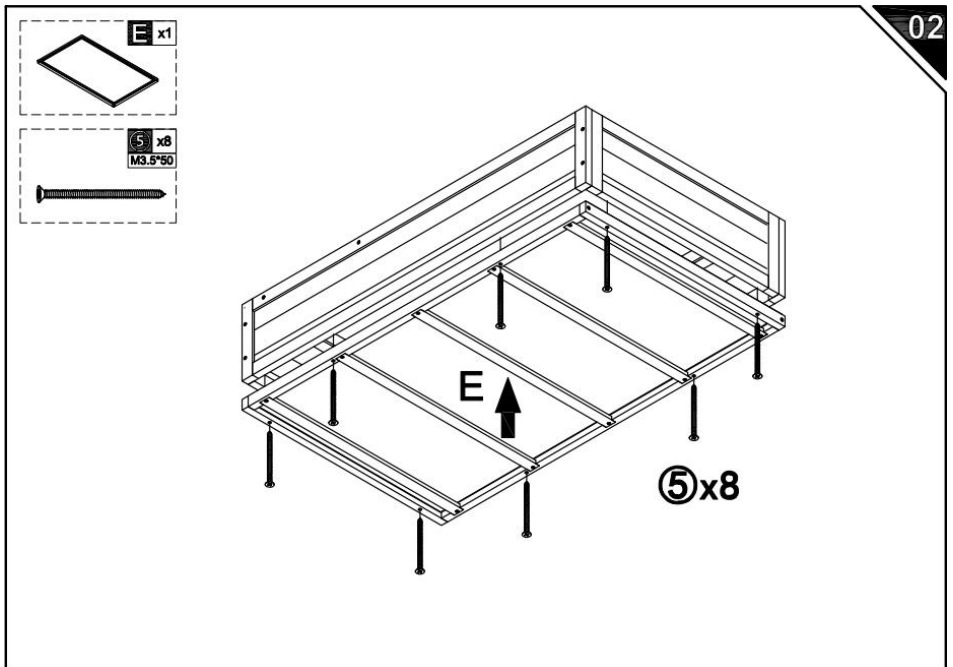
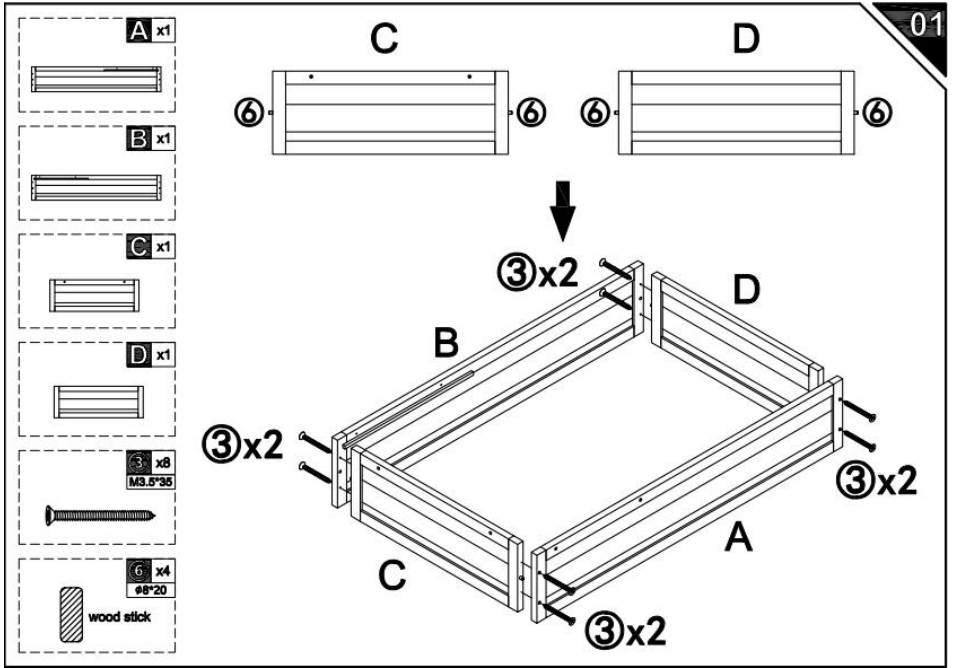
# PART LIST

<b>A</b> x1 	<b>B</b> x1 	
<b>C</b> x1 	<b>D</b> x1 	<b>E</b> x1 
<b>F</b> x1 	<b>G</b> x1 	<b>H</b> x2 
<b>I</b> x1 	<b>J</b> x1 	<b>K</b> x1 
<b>L</b> x1 	<b>M</b> x1 	<b>N</b> x1 

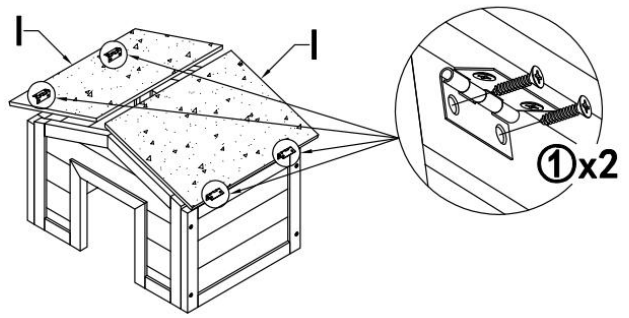
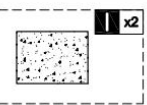
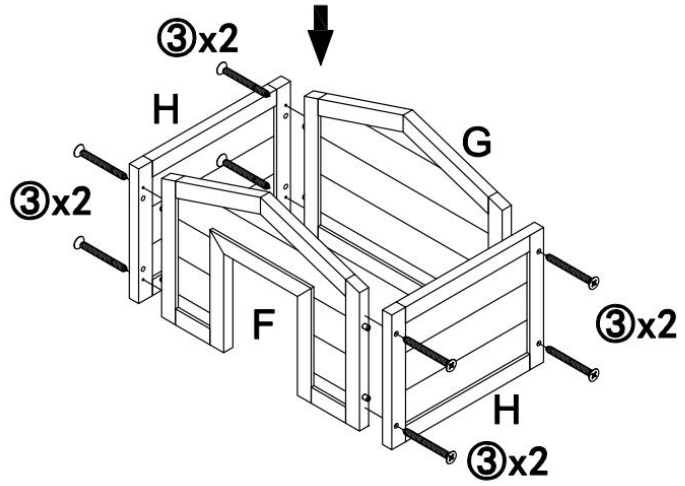
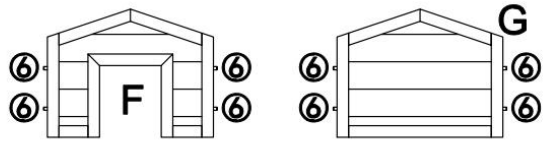
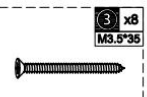
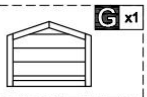
# PART LIST

<p><b>O</b> x1</p> 	<p><b>P</b> x1</p> 	<p><b>Q</b> x1</p> 		
<p><b>R</b> x1</p> 	<p><b>U</b> x1</p> 	<p><b>V</b> x1</p> 		
<p><b>S</b> x1</p> 	<p><b>T</b> x1</p> 			
<p><b>1</b> x20 M3*12 +2(spare)</p> 	<p><b>2</b> x8 M3.5*30 +1(spare)</p> 	<p><b>3</b> x34 M3.5*35 +2(spare)</p> 	<p><b>4</b> x8 M3.5*40 +1(spare)</p> 	
<p><b>5</b> x8 M3.5*50 +1(spare)</p> 	<p><b>6</b> x12 ø8*20 +2(spare)</p>  <p>wood stick</p>	<p><b>7</b> x4 M3.0*20 +1(spare)</p> 	<p><b>8</b> x1</p> 	<p><b>9</b> x2 M3.5*25</p> 

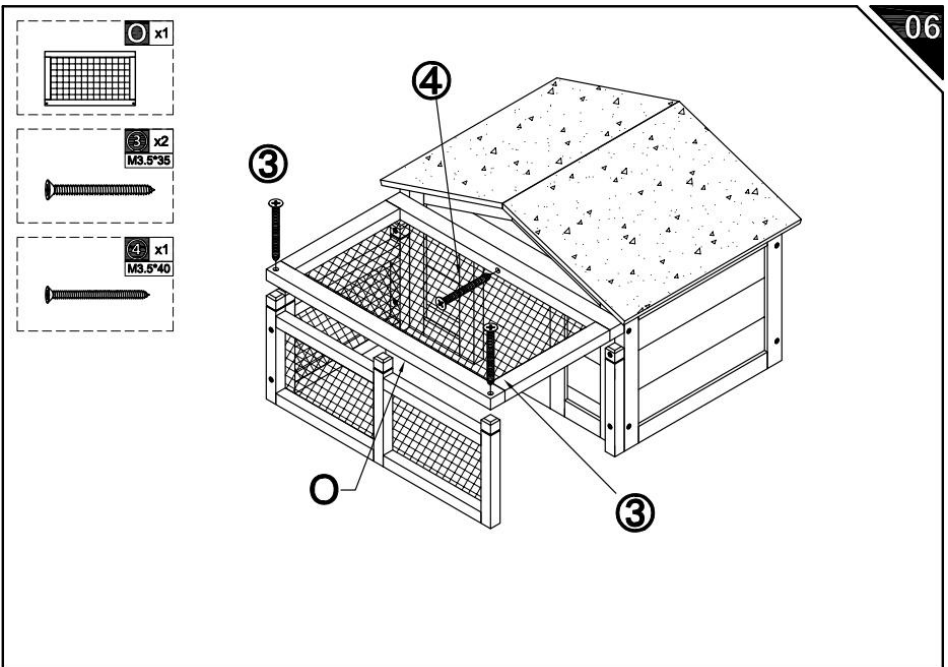
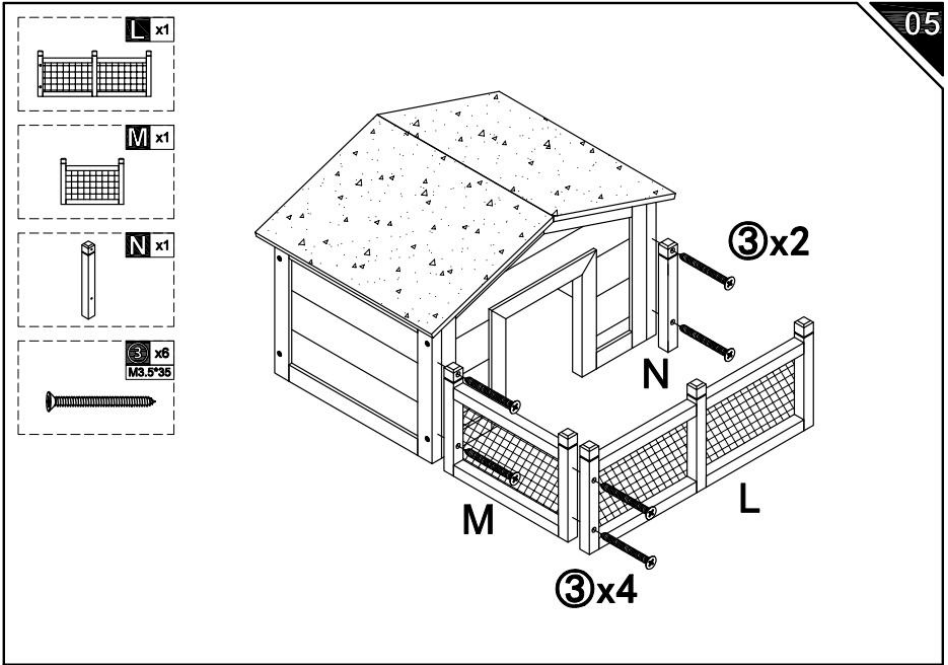
# ASSEMBLY GUIDE



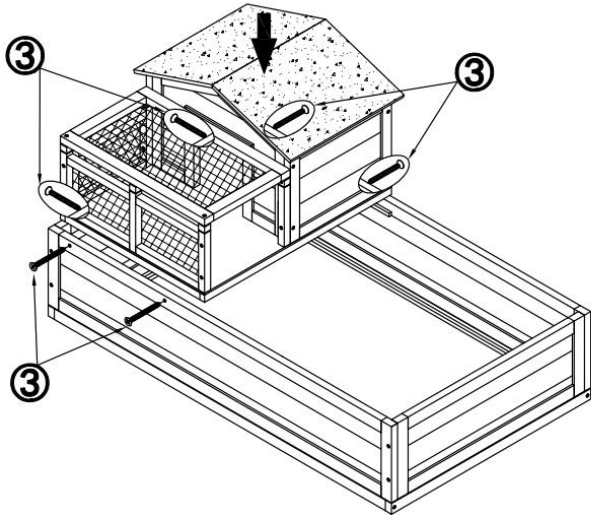
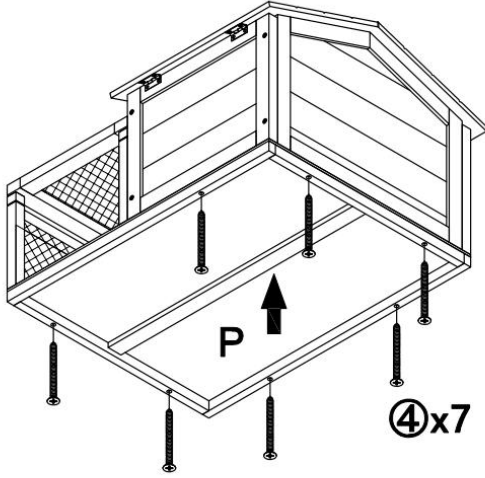
# ASSEMBLY GUIDE



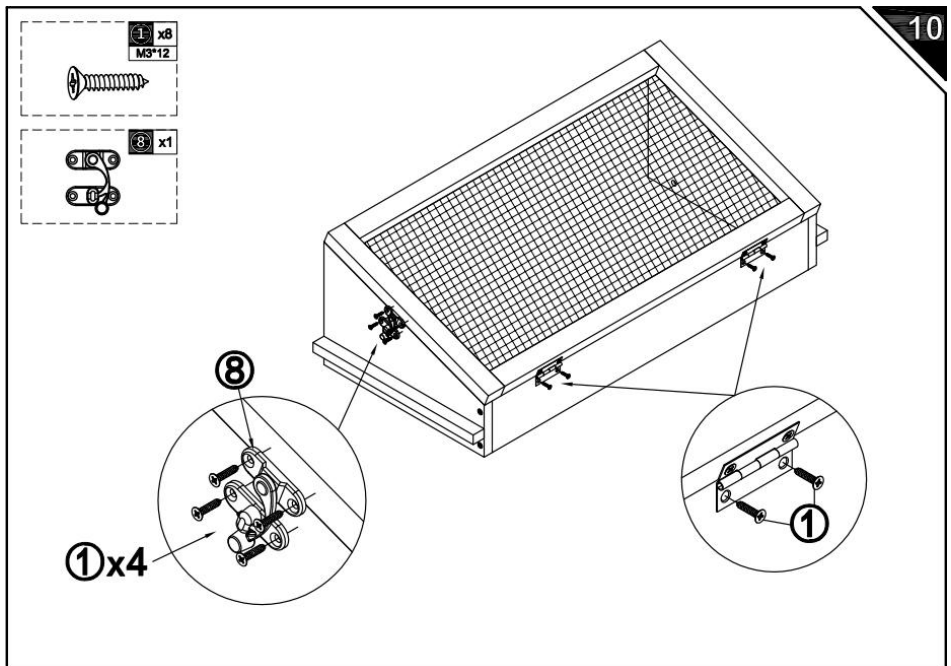
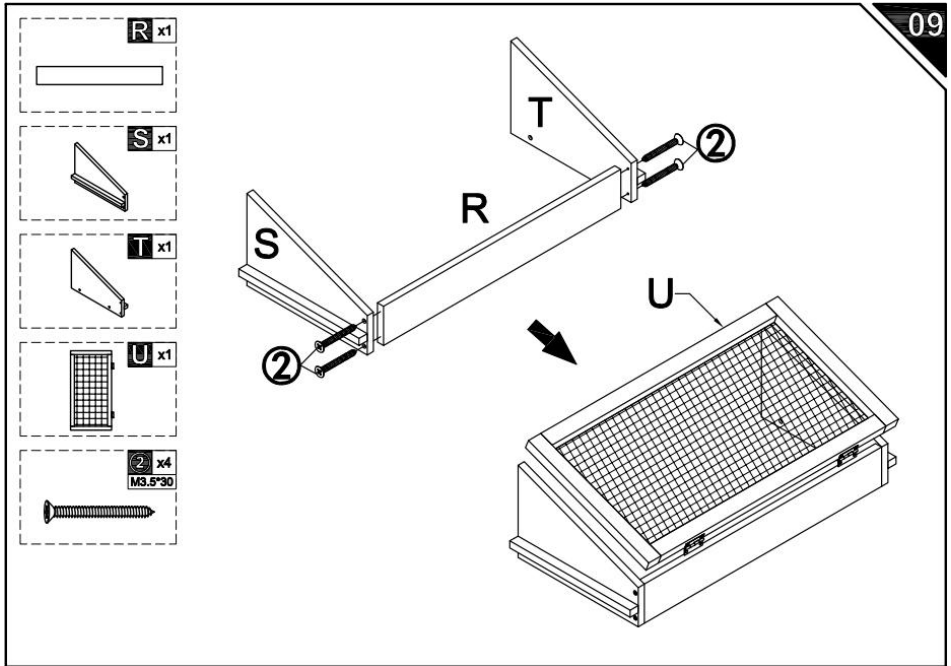
# ASSEMBLY GUIDE



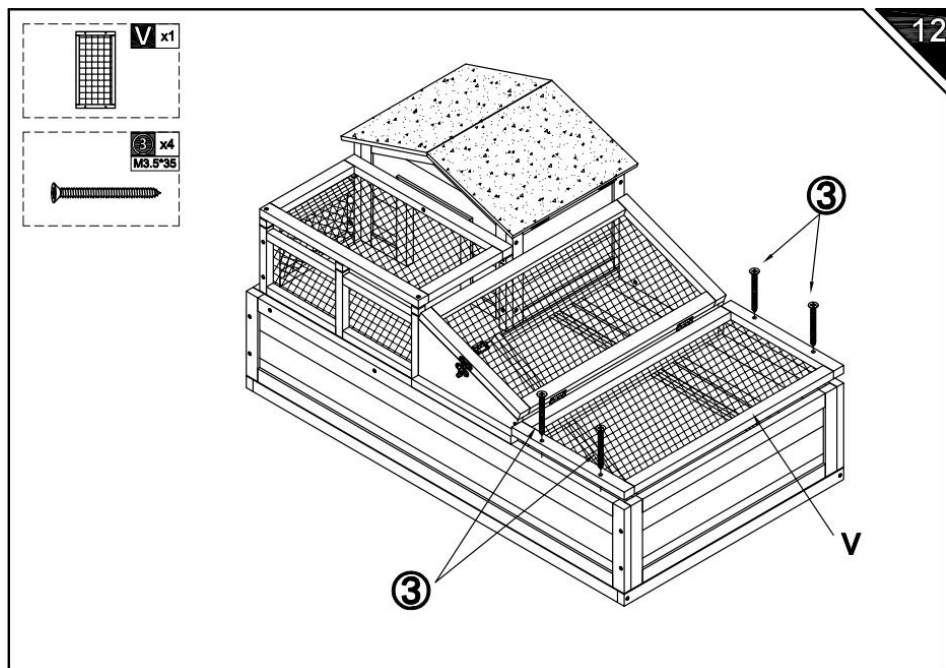
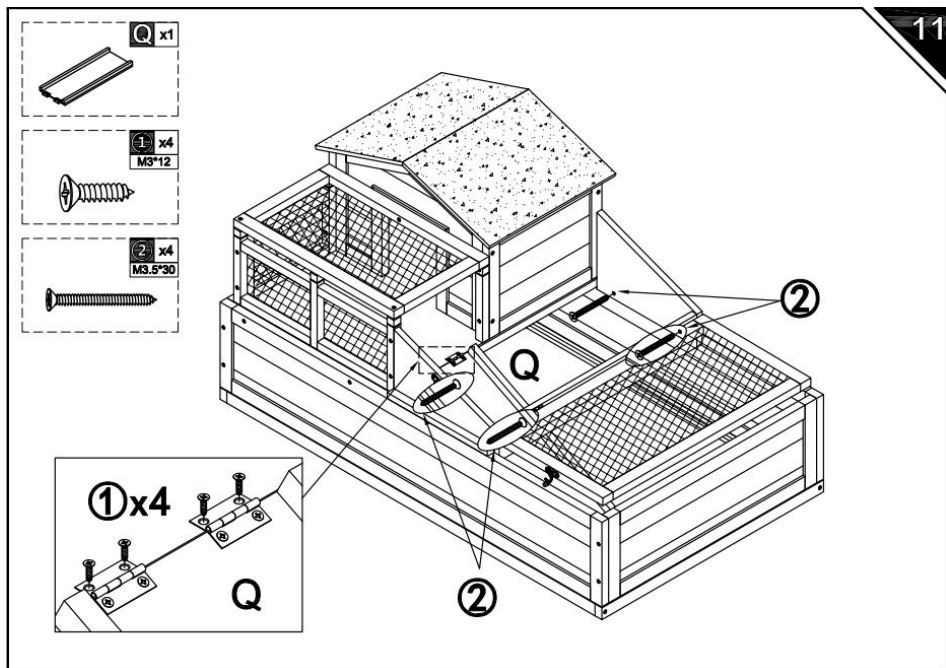
# ASSEMBLY GUIDE



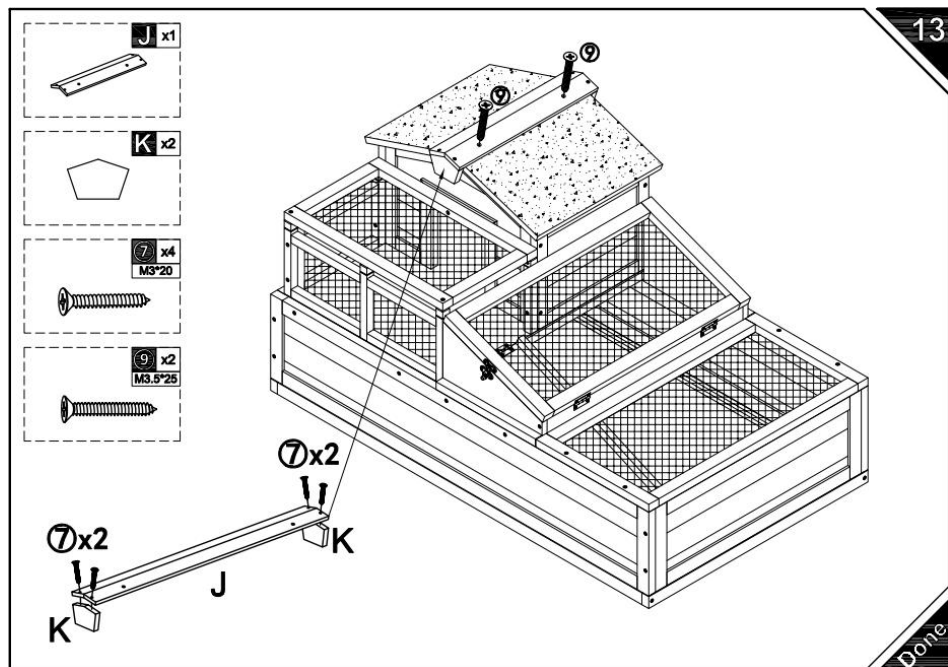
# ASSEMBLY GUIDE



# ASSEMBLY GUIDE



# ASSEMBLY GUIDE



Hersteller: Shanghaimuxinmuyeyouxiangongsi

Adresse: Shuangchenglu 803nong11hao1602A-1609shi, Baoshanqu,  
Shanghai 200000 CN.

Nach AUS importiert: SIHAO PTY LTD. 1 ROKEVA STREETEASTWOOD  
NSW 2122 Australien

Importiert in die USA: Sanven Technology Ltd. Suite 250, 9166 Anaheim  
Place, Rancho Cucamonga, CA 91730

<b>EC</b>	<b>REP</b>
-----------	------------

E-CrossStu GmbH  
Mainzer Landstr.69, 60329 Frankfurt am Main.

<b>UK</b>	<b>REP</b>
-----------	------------

YH CONSULTING LIMITED.  
C/O YH Consulting Limited Office 147, Centurion  
House, London Road, Staines-upon-Thames,  
Surrey, TW18 4AX



**VEVOR**<sup>®</sup>

**TOUGH TOOLS, HALF PRICE**

**Technisch Support und E-Garantie-Zertifikat**

**[www.vevor.com/support](http://www.vevor.com/support)**

# **VEVOR<sup>®</sup>**

## **TOUGH TOOLS, HALF PRICE**

Technique Assistance et certificat de garantie électronique

[www.vevor.com/support](http://www.vevor.com/support)

## **MAISON DES TORTUES**

**MODÈLE : TY-P1052**

We continue to be committed to provide you tools with competitive price.

"Save Half", "Half Price" or any other similar expressions used by us only represents an estimate of savings you might benefit from buying certain tools with us compared to the major top brands and does not necessarily mean to cover all categories of tools offered by us. You are kindly reminded to verify carefully when you are placing an order with us if you are actually saving half in comparison with the top major brands.

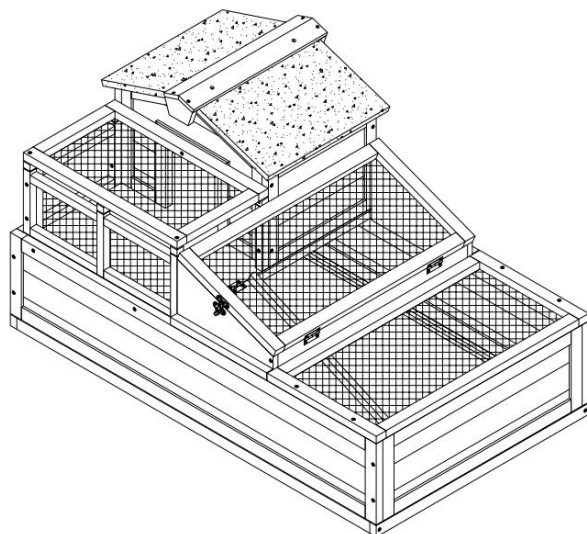


# VEVOR<sup>®</sup>

TOUGH TOOLS, HALF PRICE

## TORTOISE HOUSE

MODÈLE : TY-P1052



### NEED HELP? CONTACT US!

Have product questions? Need technical support? Please feel free to contact us:

**Technical Support and E-Warranty Certificate**  
**[www.vevor.com/support](http://www.vevor.com/support)**

This is the original instruction, please read all manual instructions carefully before operating. VEVOR reserves a clear interpretation of our user manual. The appearance of the product shall be subject to the product you received. Please forgive us that we won't inform you again if there are any technology or software updates on our product.



Avertissement : Pour réduire le risque de blessure, l'utilisateur doit lire attentivement le manuel d'instructions.

## WARNING & PRECAUTIONS

### AVERTISSEMENT :

1. Portez des gants de protection lorsque vous utilisez des outils pour installer des panneaux fixes, ou faites appel à deux personnes pour vous aider à l'installation.
2. Lors de l'utilisation, veuillez d'abord lire ce manuel et il est recommandé de bien le conserver pour une utilisation ultérieure.
3. **Ne** placez pas de coussins chauffants et n'installez pas de roues en dessous pour éviter de surchauffer le bois et de percer des trous qui pourraient provoquer la fente du bois.
4. Ce produit convient aux petits reptiles , tels que les tortues, les geckos, les serpents, les lézards , etc.
5. Avant la première installation et utilisation , vous devez sécher les pièces pendant au moins une journée pour réduire et éliminer les odeurs.

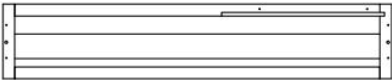
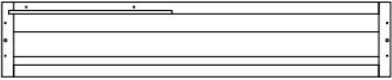
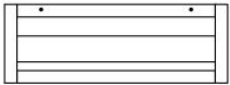
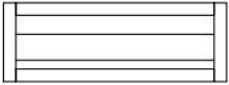

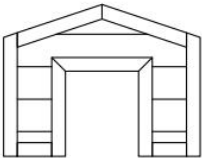
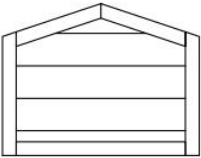


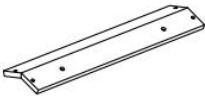

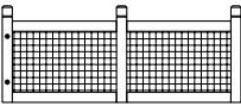
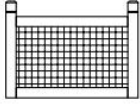

## PRODUCT DESCRIPTION

<b>Modèle</b>	TY-P1052
<b>Couleur</b>	Gris blanc
<b>Matériel</b>	Sapin et ABS et treillis métallique
<b>Taille du produit</b>	1120*650*615mm

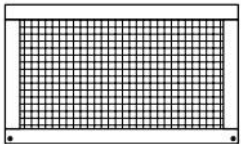
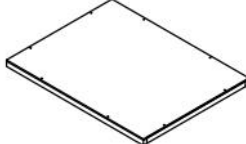


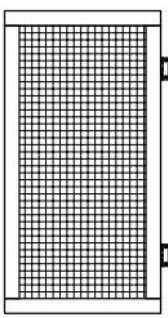
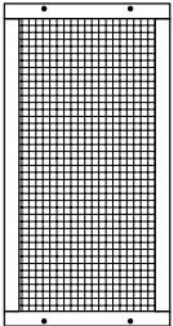
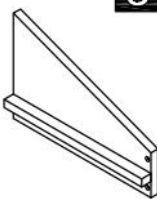
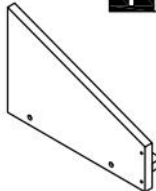




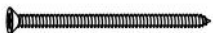


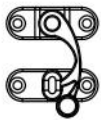

**Taille d'  
emballage**

1185\*735\*118 millimètres

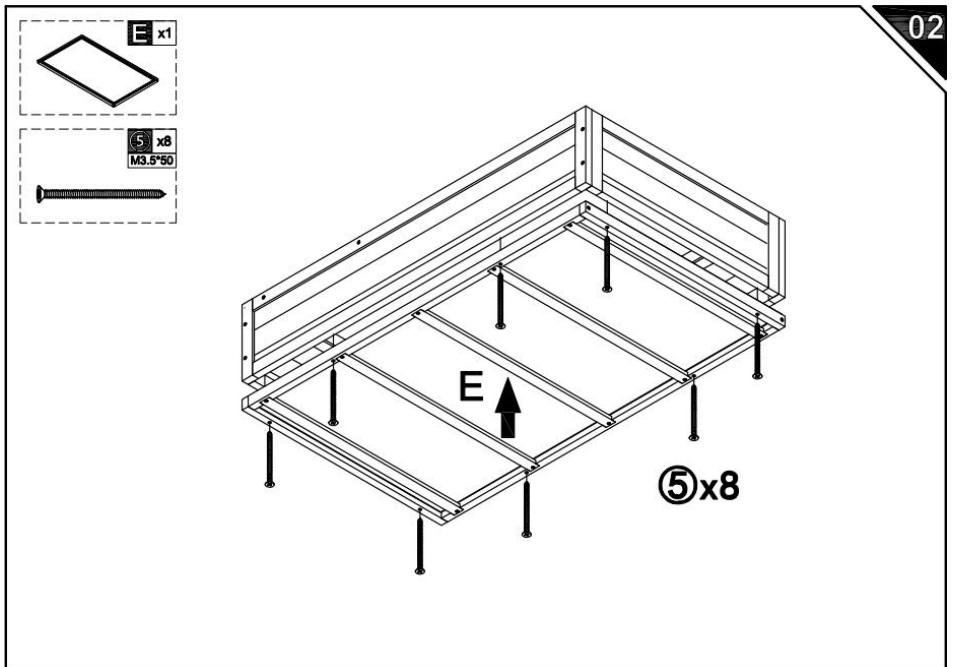
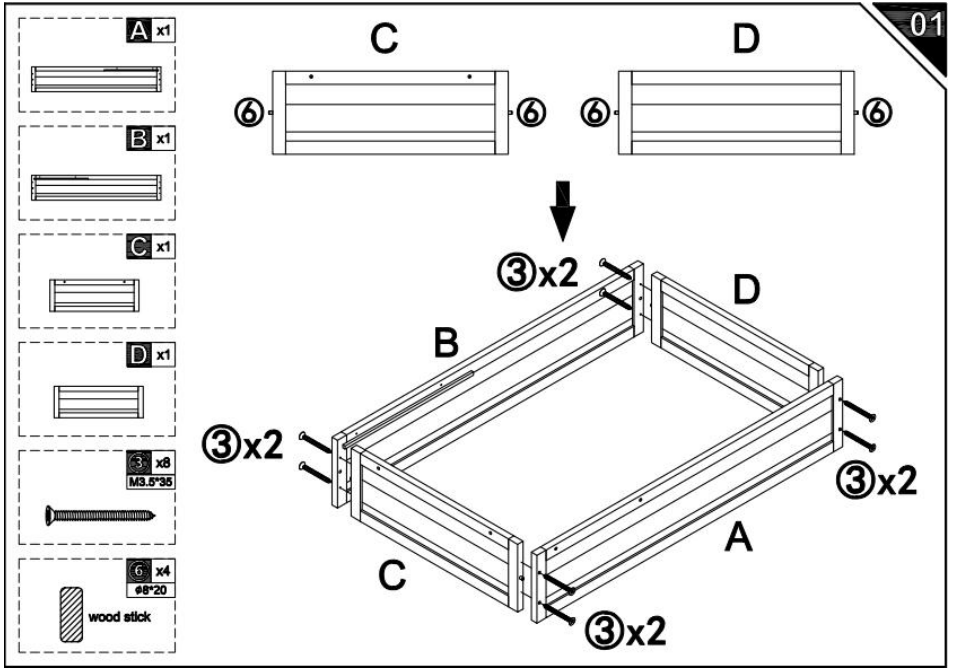
# PART LIST

<p><b>A</b> x1</p> 	<p><b>B</b> x1</p> 	
<p><b>C</b> x1</p> 	<p><b>D</b> x1</p> 	<p><b>E</b> x1</p> 
<p><b>F</b> x1</p> 	<p><b>G</b> x1</p> 	<p><b>H</b> x2</p> 
<p><b>I</b> x1</p> 	<p><b>J</b> x1</p> 	<p><b>K</b> x1</p> 
<p><b>L</b> x1</p> 	<p><b>M</b> x1</p> 	<p><b>N</b> x1</p> 

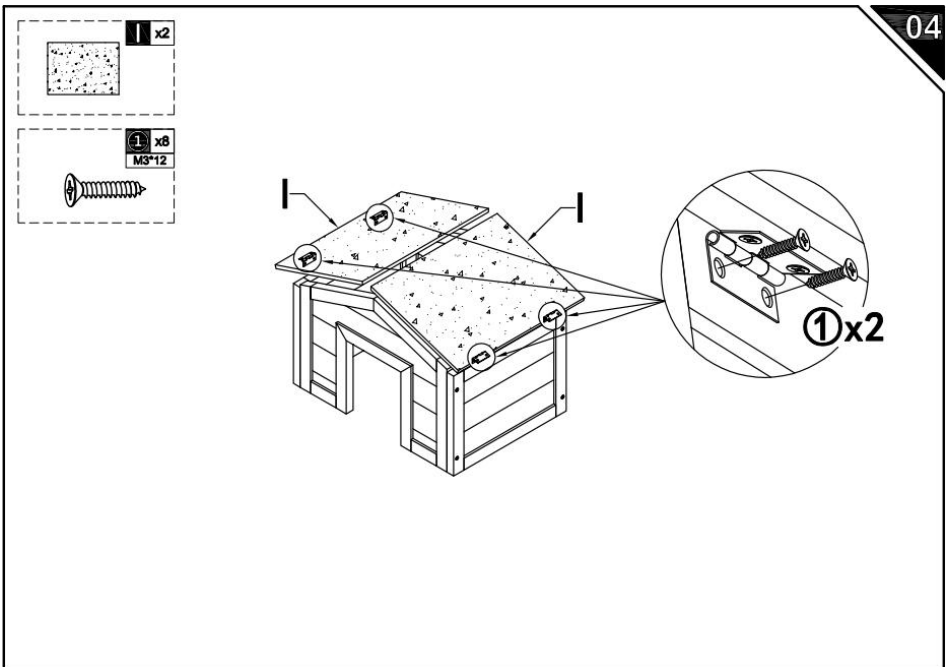
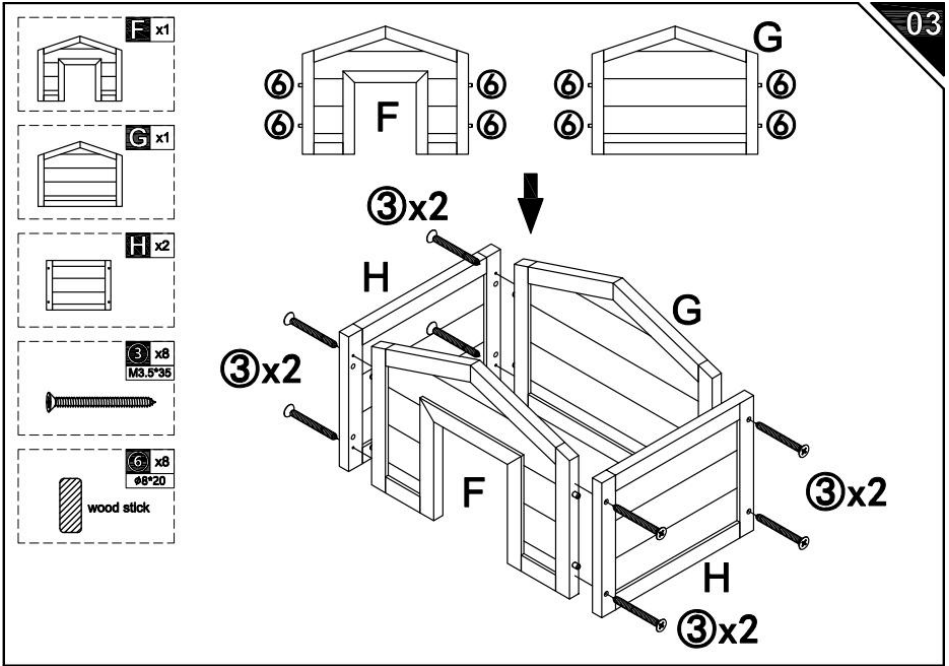
# PART LIST

<p><b>O</b> x1</p> 	<p><b>P</b> x1</p> 	<p><b>Q</b> x1</p> 		
<p><b>R</b> x1</p> 	<p><b>U</b> x1</p> 	<p><b>V</b> x1</p> 		
<p><b>S</b> x1</p> 	<p><b>T</b> x1</p> 			
<p><b>1</b> x20 M3*12 +2(spare)</p> 	<p><b>2</b> x8 M3.5*30 +1(spare)</p> 	<p><b>3</b> x34 M3.5*35 +2(spare)</p> 	<p><b>4</b> x8 M3.5*40 +1(spare)</p> 	
<p><b>5</b> x8 M3.5*50 +1(spare)</p> 	<p><b>6</b> x12 ø8*20 +2(spare)</p>  <p>wood stick</p>	<p><b>7</b> x4 M3.0*20 +1(spare)</p> 	<p><b>8</b> x1</p> 	<p><b>9</b> x2 M3.5*25</p> 

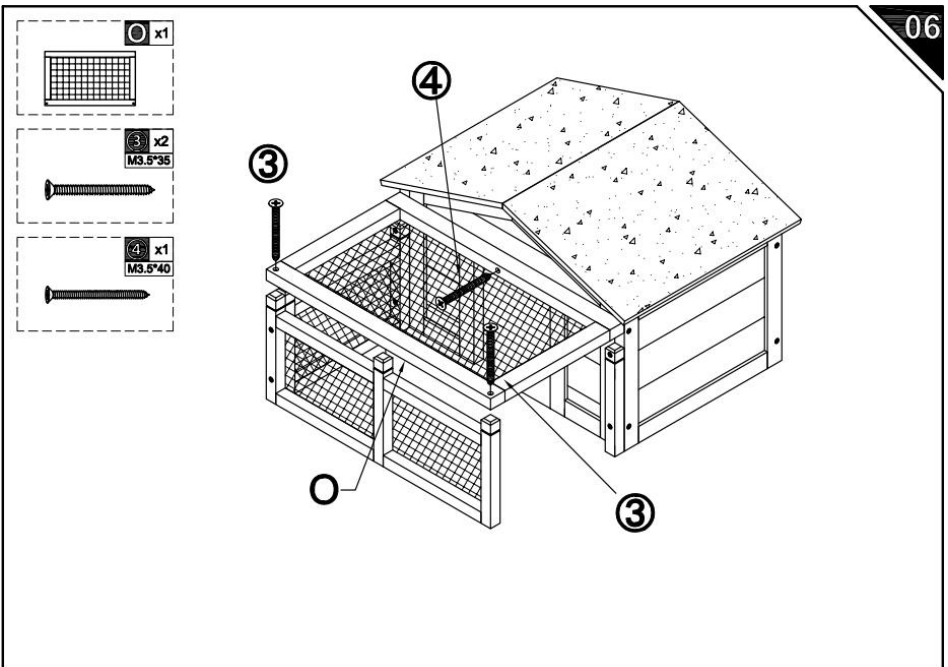
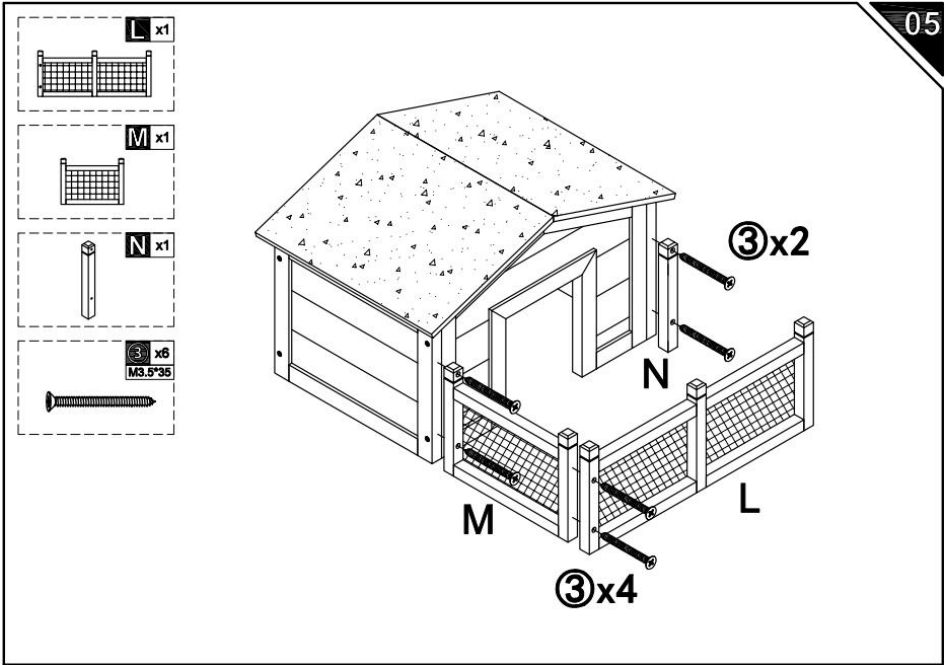
# ASSEMBLY GUIDE



# ASSEMBLY GUIDE

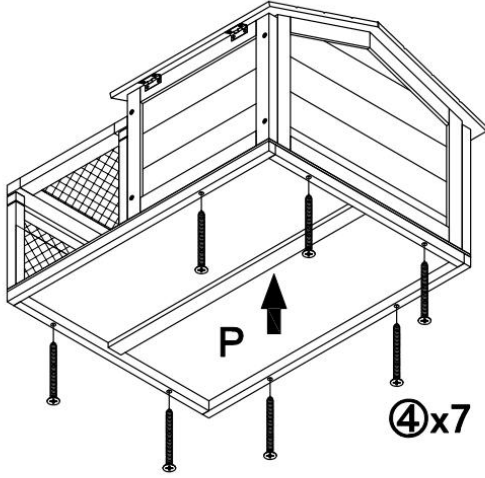
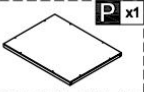


# ASSEMBLY GUIDE

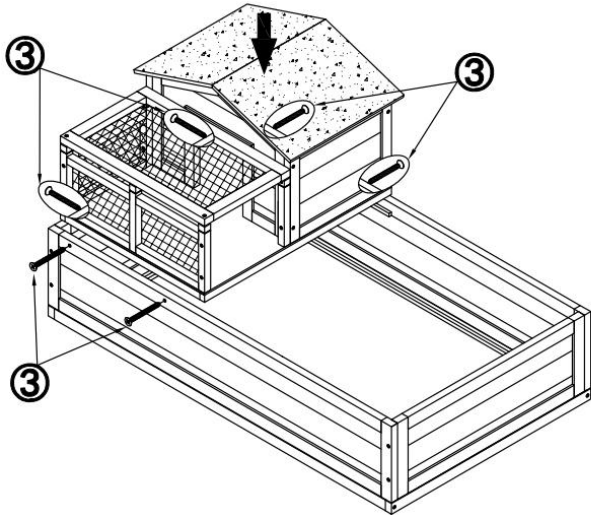


# ASSEMBLY GUIDE

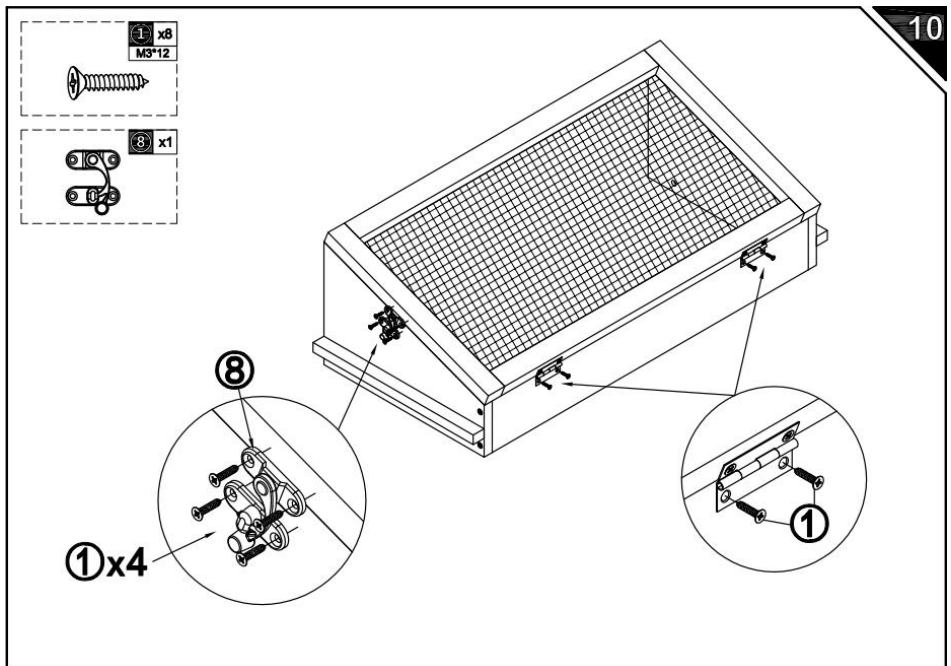
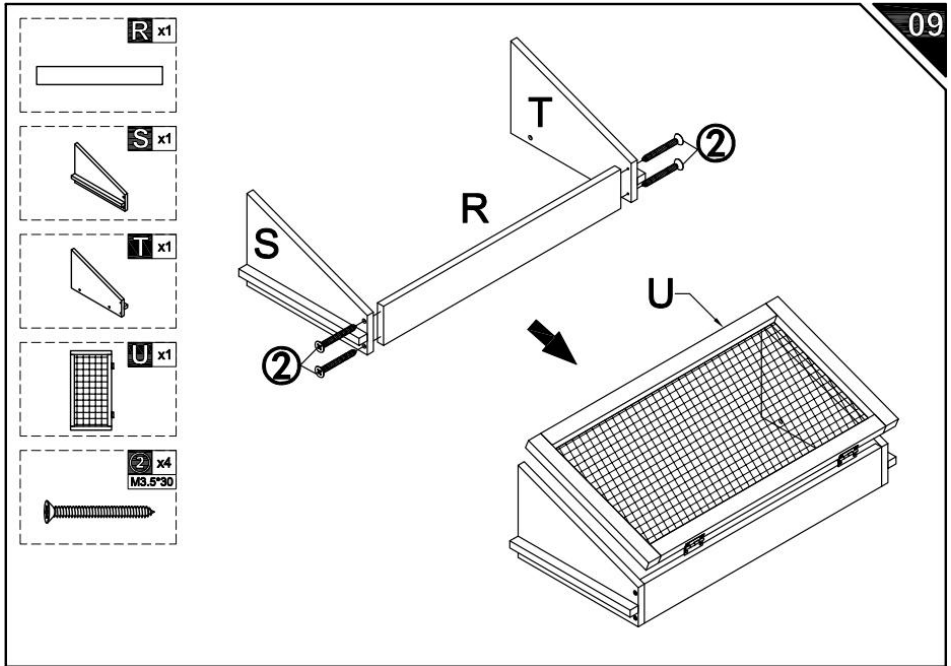
07



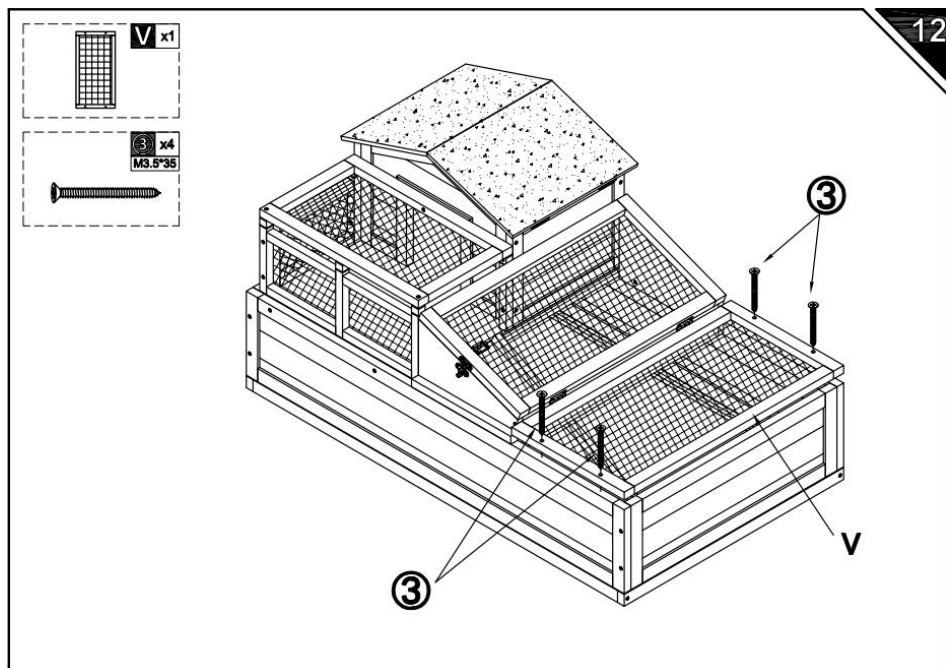
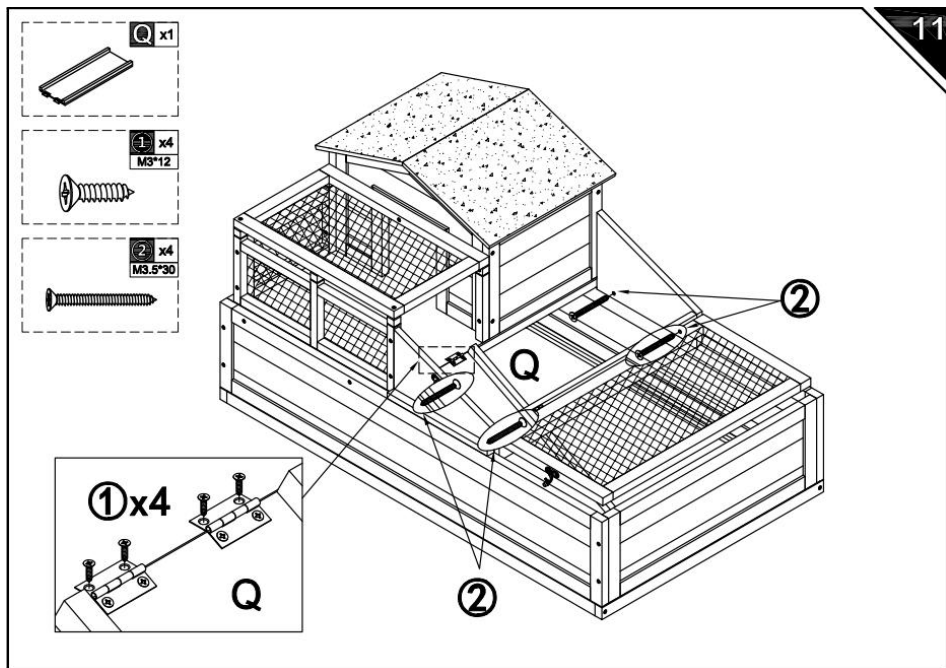
08



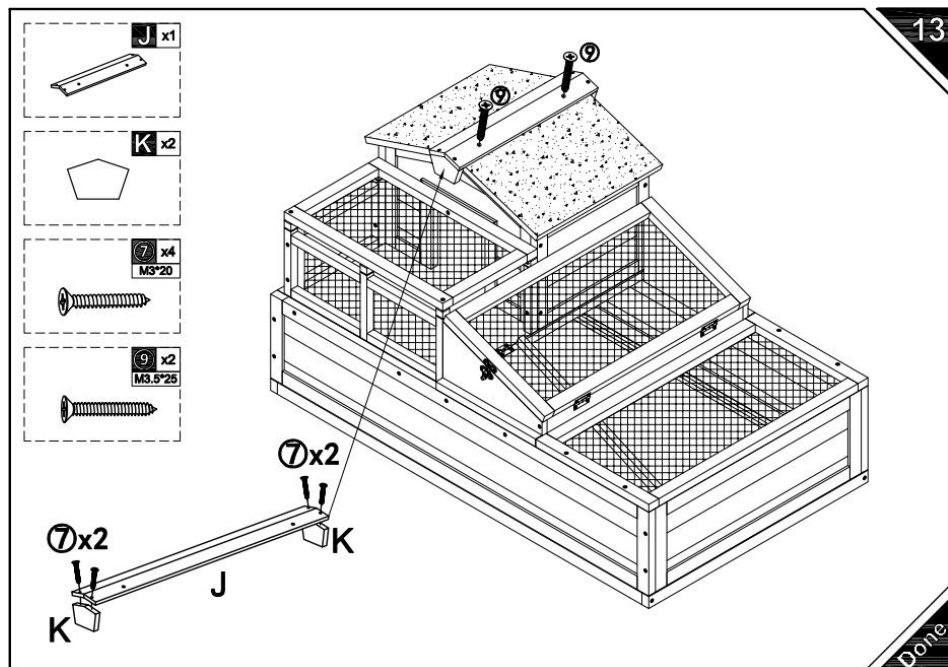
# ASSEMBLY GUIDE



# ASSEMBLY GUIDE



# ASSEMBLY GUIDE



Fabricant : Shanghaimuxinmuyeyouxiangongsi

Adresse : Shuangchenglu 803nong11hao1602A-1609shi, baoshanqu,  
Shanghai 200000 CN.

Importé en Australie : SIHAO PTY LTD. 1 ROKEVA STREETASTWOOD  
NSW 2122 Australie

Importé aux États-Unis : Sanven Technology Ltd. Suite 250, 9166 Anaheim  
Place, Rancho Cucamonga, CA 91730

<b>EC</b>	<b>REP</b>
-----------	------------

E-CrossStu GmbH  
Mainzer Landstr.69, 60329 Frankfurt am Main.

<b>UK</b>	<b>REP</b>
-----------	------------

YH CONSULTING LIMITED.  
C/O YH Consulting Limited Office 147, Centurion  
House, London Road, Staines-upon-Thames,  
Surrey, TW18 4AX



**VEVOR**<sup>®</sup>

**TOUGH TOOLS, HALF PRICE**

**Technique Assistance et certificat de garantie électronique**

**[www.vevor.com/support](http://www.vevor.com/support)**

# **VEVOR<sup>®</sup>**

## **TOUGH TOOLS, HALF PRICE**

Technisch Ondersteuning en e-garantiecertificaat [www.vevor.com/support](http://www.vevor.com/support)

## **SCHILDPAD HUIS**

**MODEL: TY-P1052**

We continue to be committed to provide you tools with competitive price.

"Save Half", "Half Price" or any other similar expressions used by us only represents an estimate of savings you might benefit from buying certain tools with us compared to the major top brands and does not necessarily mean to cover all categories of tools offered by us. You are kindly reminded to verify carefully when you are placing an order with us if you are actually saving half in comparison with the top major brands.

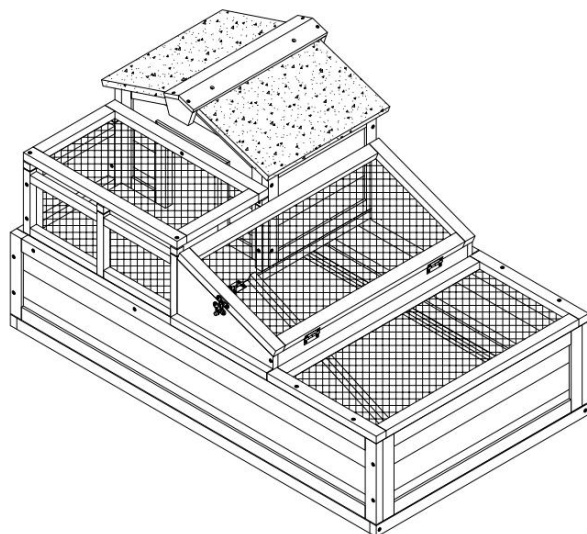


# VEVOR<sup>®</sup>

TOUGH TOOLS, HALF PRICE

## TORTOISE HOUSE

MODEL: TY-P1052



### NEED HELP? CONTACT US!

Have product questions? Need technical support? Please feel free to contact us:

**Technical Support and E-Warranty Certificate**  
**[www.vevor.com/support](http://www.vevor.com/support)**

This is the original instruction, please read all manual instructions carefully before operating. VEVOR reserves a clear interpretation of our user manual. The appearance of the product shall be subject to the product you received. Please forgive us that we won't inform you again if there are any technology or software updates on our product.



Waarschuwing-Om het risico op letsel te verminderen, moet de gebruiker de handleiding zorgvuldig lezen.

## WARNING & PRECAUTIONS

### WAARSCHUWING :

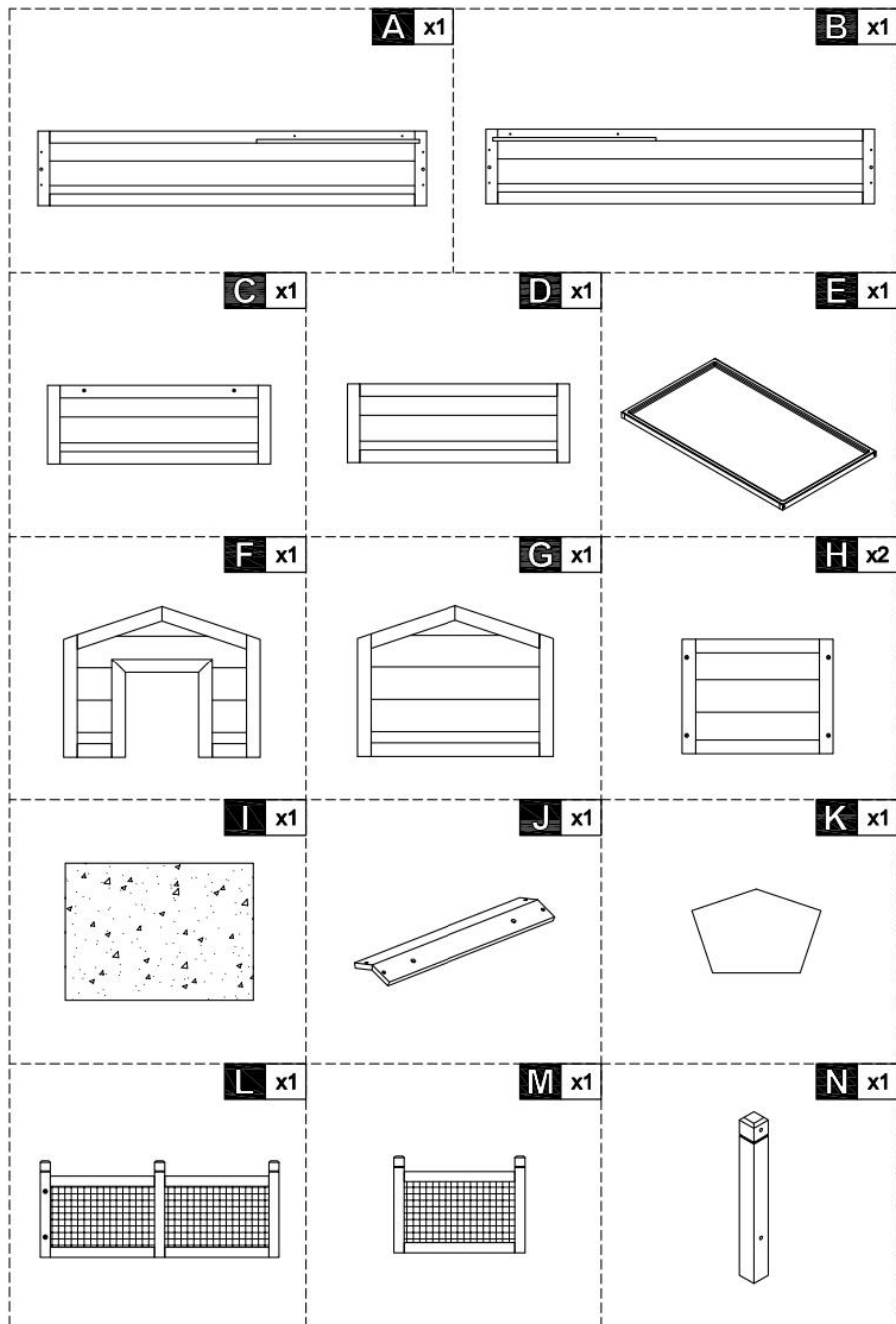
1. Draag beschermende handschoenen wanneer u gereedschap gebruikt om vaste wegwijzers te installeren, of gebruik twee mensen om te helpen bij de installatie.
2. Lees bij gebruik eerst deze handleiding. Het wordt aanbevolen om deze goed te bewaren, zodat u deze later kunt bekijken.
3. **Plaats geen** verwarmingskussens en installeer geen wielen eronder om oververhitting van het hout en het boren van gaten waardoor het hout zou kunnen splijten te voorkomen.
4. Dit product is geschikt voor gebruik bij kleine reptielen , zoals schildpadden, gekko's, slangen, hagedissen enzovoort .
5. Voordat u het voor de eerste keer installeert en gebruikt , moet u de onderdelen minimaal één dag laten drogen om geuren te verminderen en te elimineren.

## PRODUCT DESCRIPTION

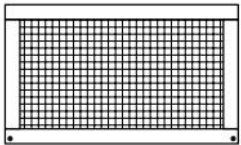
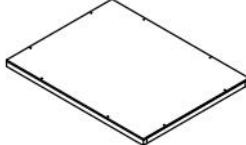


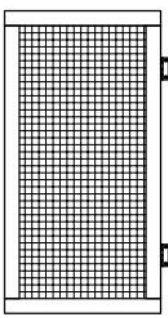
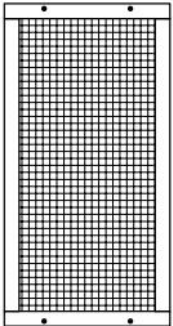
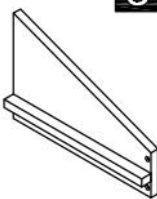
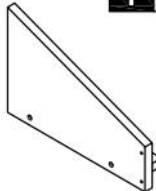




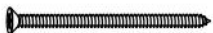


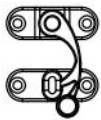

<b>Model</b>	TY-P1052
<b>Kleur</b>	Grijs wit
<b>Materiaal</b>	Spar & ABS & Draadgaas

<b>Product grootte</b>	1120*650*615mm
<b>Verpakkingsgrootte</b>	1185*735*118 mm

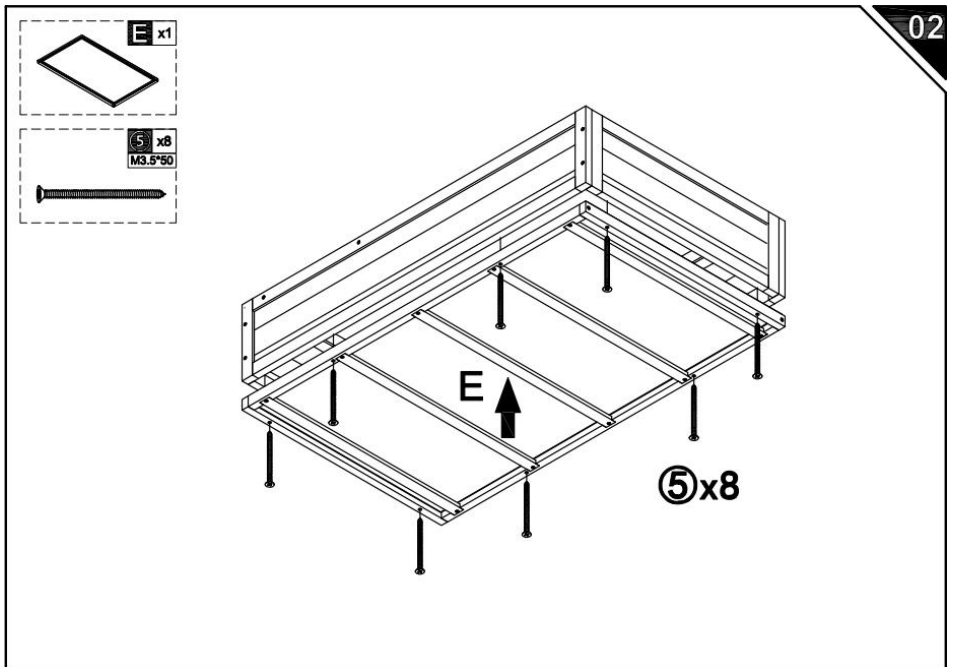
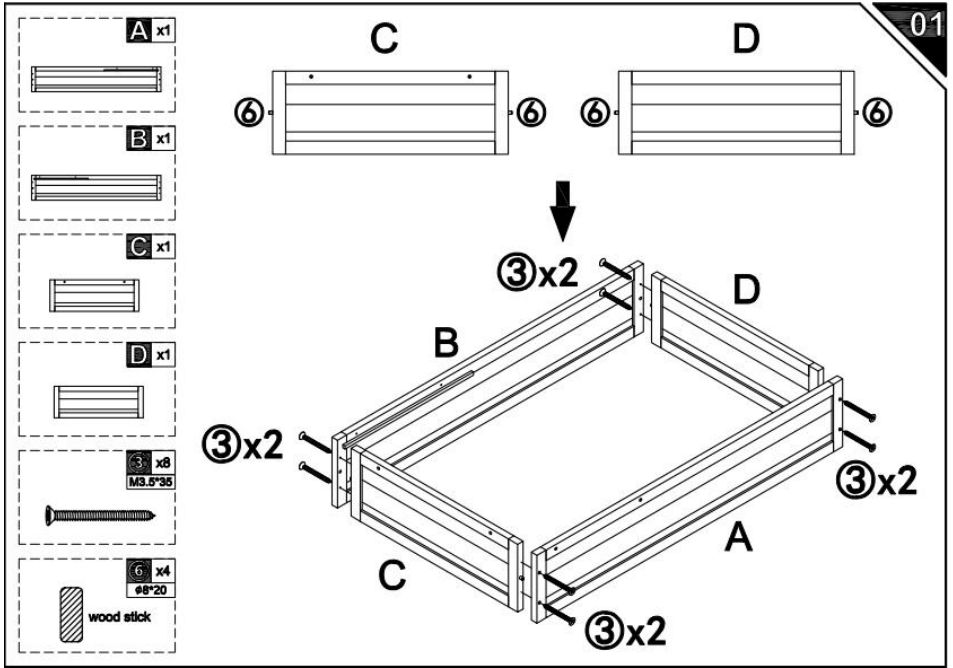
# PART LIST



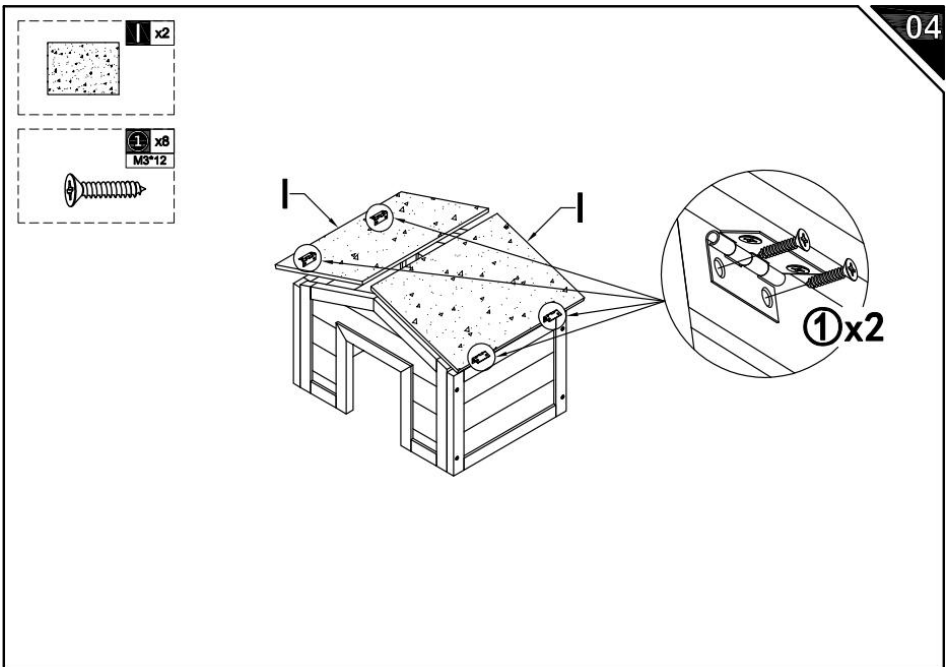
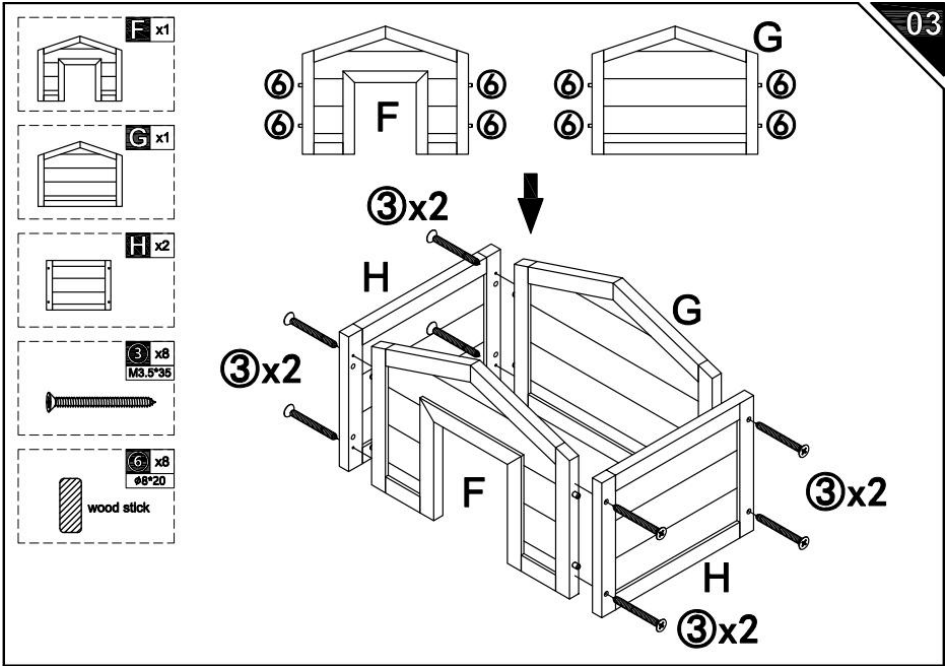
# PART LIST

<p><b>O</b> x1</p> 	<p><b>P</b> x1</p> 	<p><b>Q</b> x1</p> 		
<p><b>R</b> x1</p> 		<p><b>U</b> x1</p> 	<p><b>V</b> x1</p> 	
<p><b>S</b> x1</p> 	<p><b>T</b> x1</p> 			
<p><b>1</b> x20 M3*12 +2(spare)</p> 	<p><b>2</b> x8 M3.5*30 +1(spare)</p> 	<p><b>3</b> x34 M3.5*35 +2(spare)</p> 	<p><b>4</b> x8 M3.5*40 +1(spare)</p> 	
<p><b>5</b> x8 M3.5*50 +1(spare)</p> 	<p><b>6</b> x12 ø8*20 +2(spare)</p>  <p>wood stick</p>	<p><b>7</b> x4 M3.0*20 +1(spare)</p> 	<p><b>8</b> x1</p> 	<p><b>9</b> x2 M3.5*25</p> 

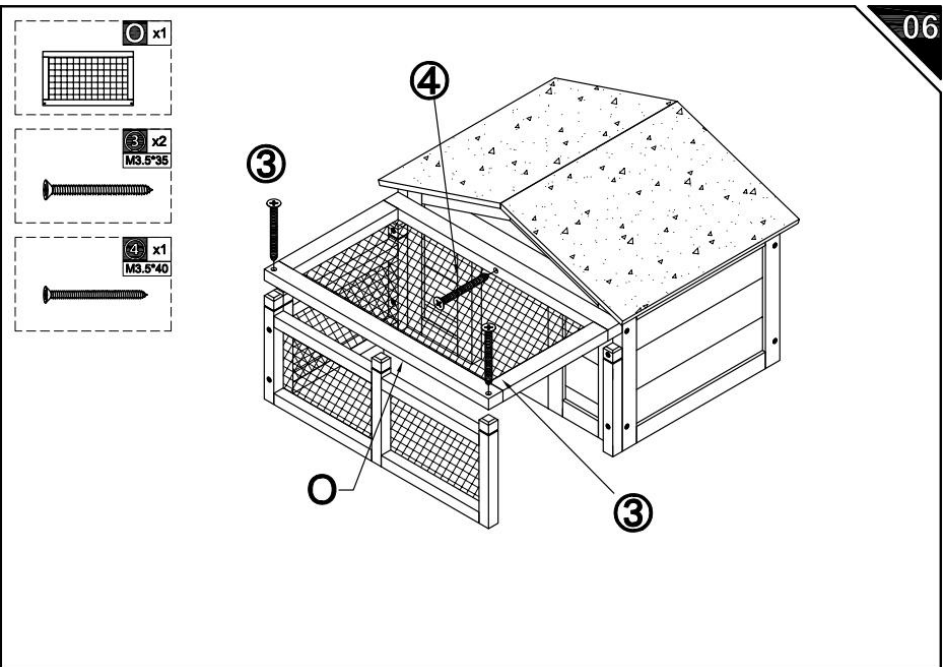
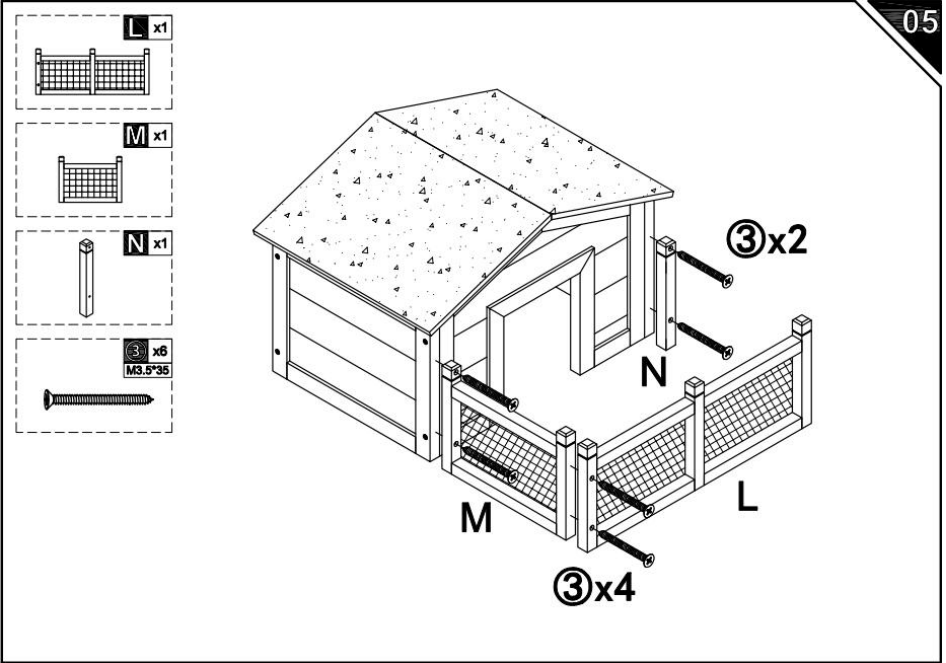
# ASSEMBLY GUIDE



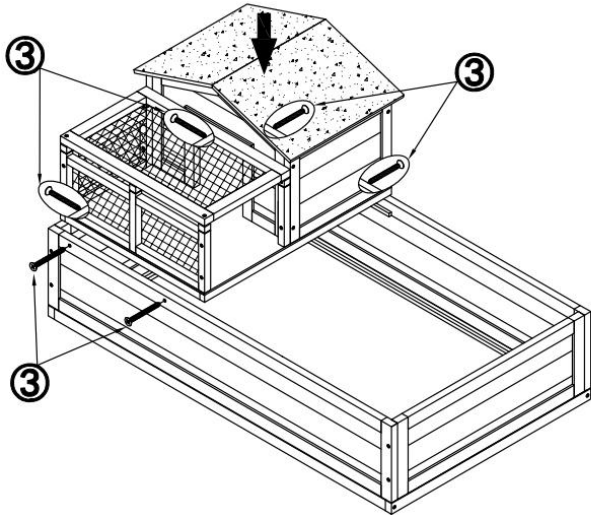
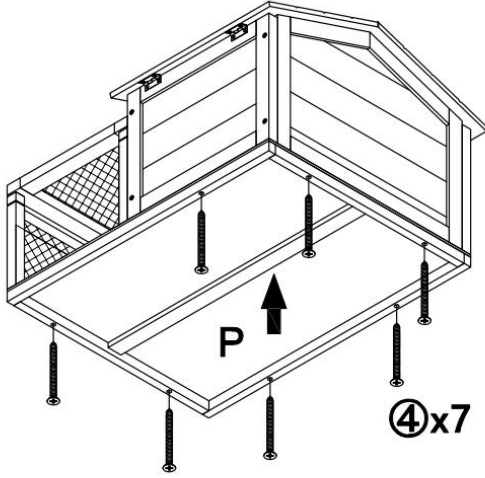
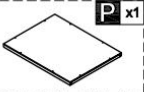
# ASSEMBLY GUIDE



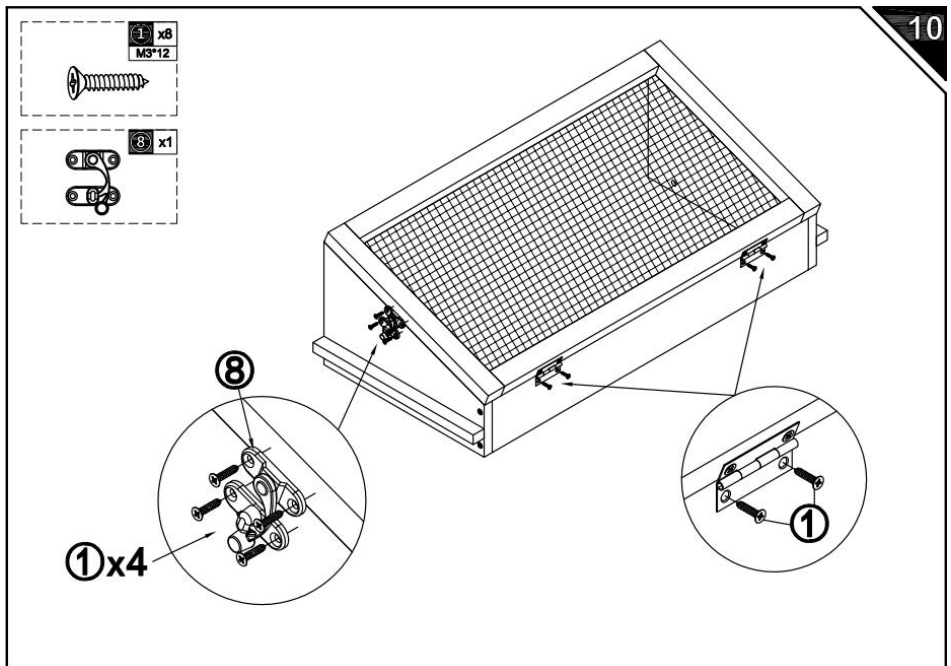
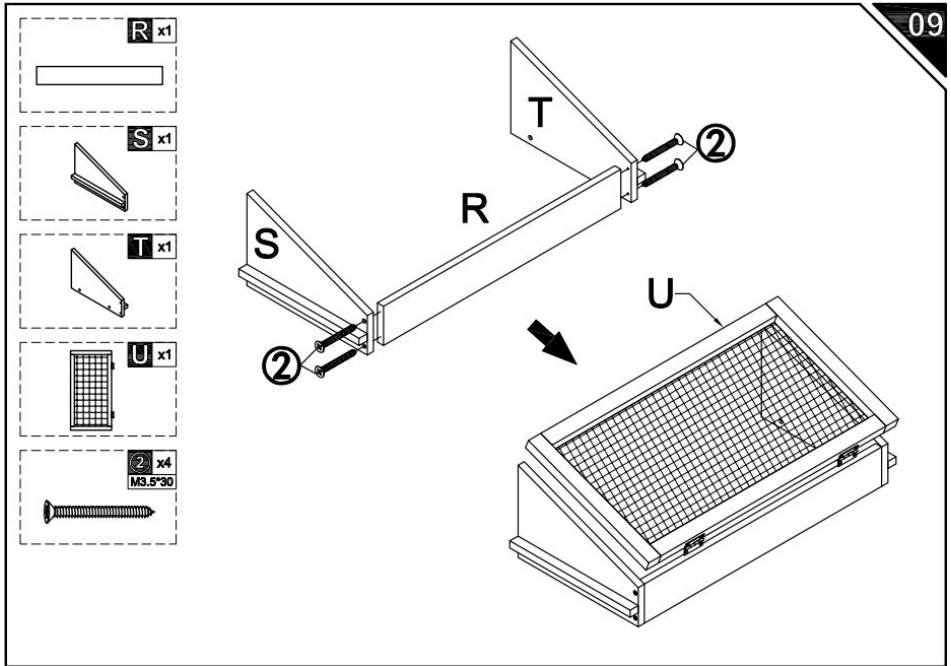
# ASSEMBLY GUIDE



# ASSEMBLY GUIDE

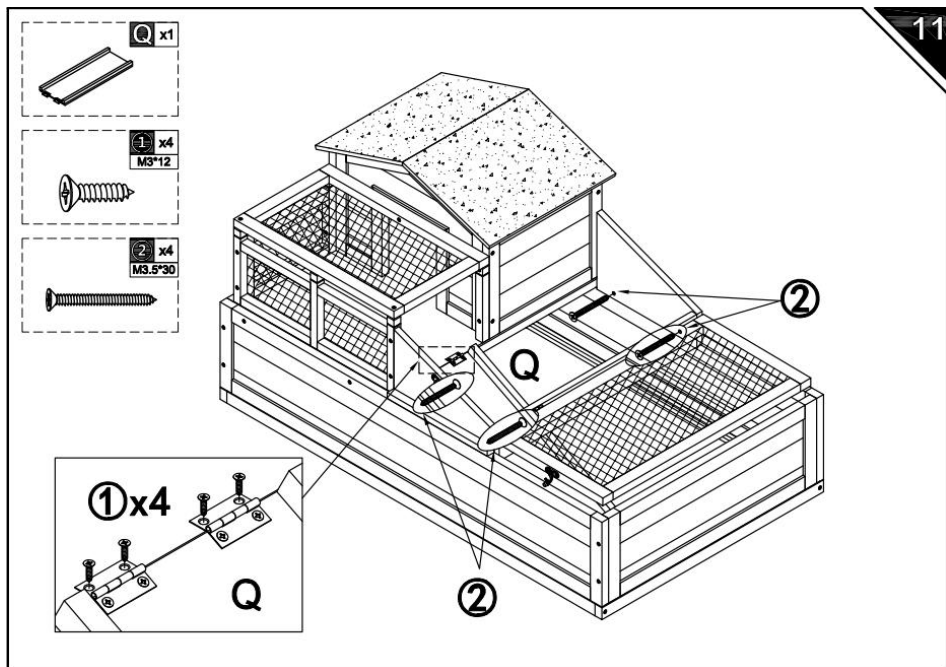


# ASSEMBLY GUIDE

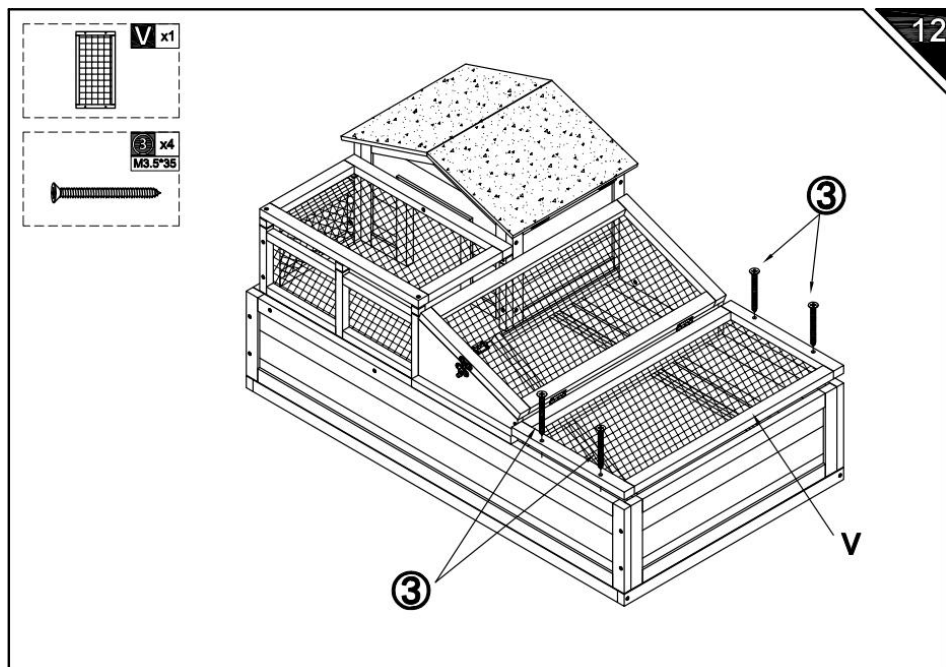


# ASSEMBLY GUIDE

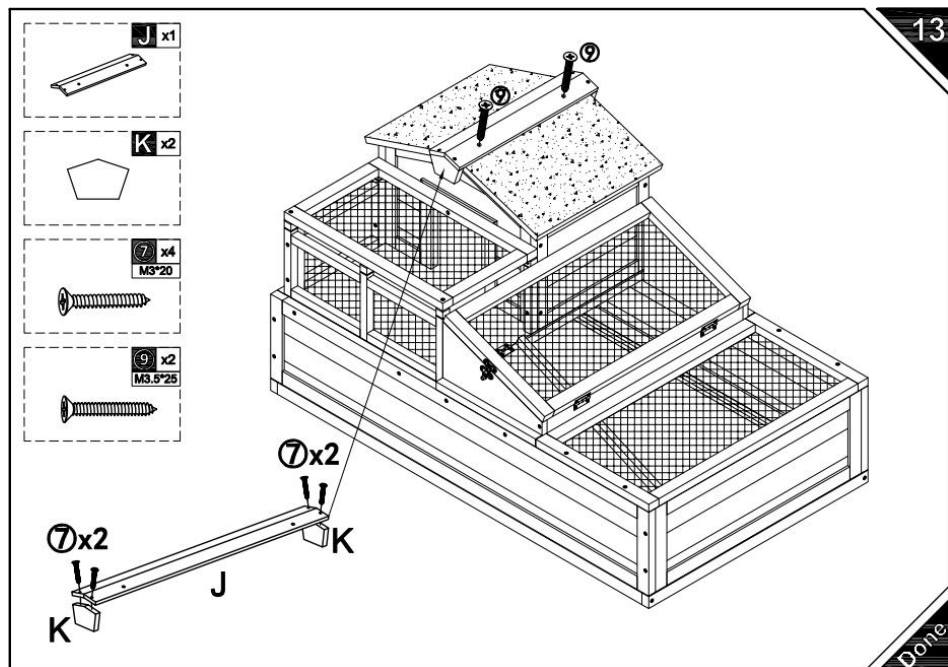
11



12



# ASSEMBLY GUIDE



Fabrikant: Shanghaimuxinmuyeyouxiangongsi

Adres: Shuangchenglu 803nong11hao1602A-1609shi, baoshanqu,  
shanghai 200000 CN.

Geïmporteerd naar AUS: SIHAO PTY LTD. 1 ROKEVA

STREETEASTWOOD NSW 2122 Australië

Geïmporteerd naar de VS: Sanven Technology Ltd. Suite 250, 9166  
Anaheim Place, Rancho Cucamonga, CA 91730

<b>EC</b>	<b>REP</b>
-----------	------------

E-CrossStu GmbH

Mainzer Landstr.69, 60329 Frankfurt am Main.

<b>UK</b>	<b>REP</b>
-----------	------------

YH CONSULTING LIMITED.

C/O YH Consulting Limited Office 147, Centurion  
House, London Road, Staines-upon-Thames,  
Surrey, TW18 4AX



**VEVOR**<sup>®</sup>

**TOUGH TOOLS, HALF PRICE**

**Technisch Ondersteuning en e-garantiecertificaat**

**[www.vevor.com/support](http://www.vevor.com/support)**

# **VEVOR<sup>®</sup>**

**TOUGH TOOLS, HALF PRICE**

Teknisk Support och e-garanticertifikat [www.vevor.com/support](http://www.vevor.com/support)

## **SKÖLDPADDSHUS**

**MODELL: TY-P1052**

We continue to be committed to provide you tools with competitive price.

"Save Half", "Half Price" or any other similar expressions used by us only represents an estimate of savings you might benefit from buying certain tools with us compared to the major top brands and does not necessarily mean to cover all categories of tools offered by us. You are kindly reminded to verify carefully when you are placing an order with us if you are actually saving half in comparison with the top major brands.

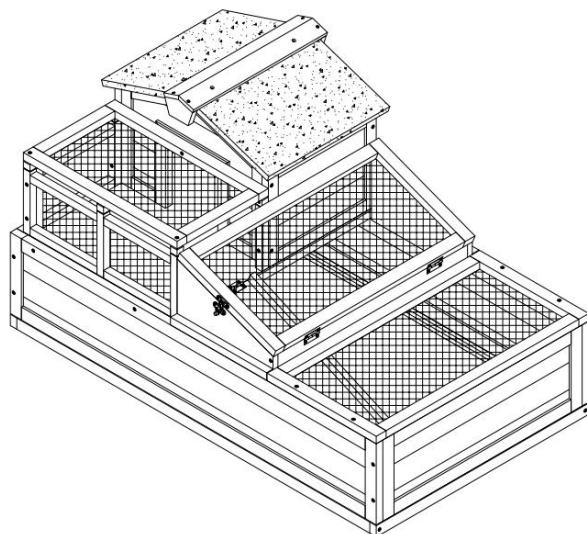


# VEVOR<sup>®</sup>

TOUGH TOOLS, HALF PRICE

## TORTOISE HOUSE

MODELL: TY-P1052



### NEED HELP? CONTACT US!

Have product questions? Need technical support? Please feel free to contact us:

**Technical Support and E-Warranty Certificate**  
**[www.vevor.com/support](http://www.vevor.com/support)**

This is the original instruction, please read all manual instructions carefully before operating. VEVOR reserves a clear interpretation of our user manual. The appearance of the product shall be subject to the product you received. Please forgive us that we won't inform you again if there are any technology or software updates on our product.



Varning - För att minska risken för skada måste användaren läsa instruktionerna noggrant.

## WARNING & PRECAUTIONS

### WARNING :

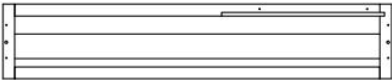
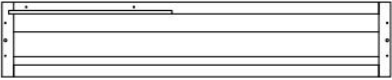
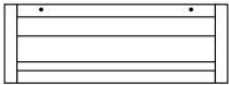
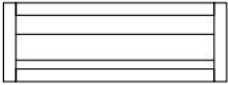

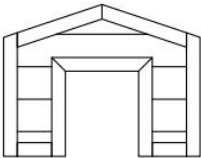
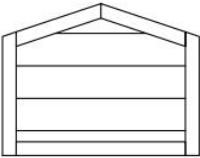

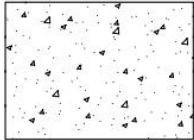
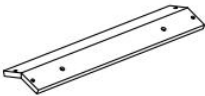
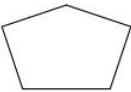
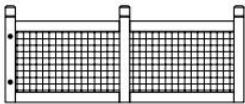
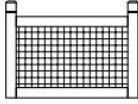

1. Använd skyddshandskar när du använder verktyg för att installera fasta skyltar, eller använd två personer för att hjälpa till med installationen.
2. När du använder den, vänligen läs den här bruksanvisningen först, och det rekommenderas att du förvarar den väl för efterföljande användning.
3. **Placera inte** värmekuddar och installera hjul under för att undvika överhettning av träet och borra hål som kan göra att träet spricker.
4. Denna produkt är lämplig för användning med små reptiler , såsom sköldpaddor, geckos, ormar, ödlor och så vidare .
5. Innan den första installationen och använd den måste du torka delarna i minst en dag för att minska och eliminera lukter.

## PRODUCT DESCRIPTION

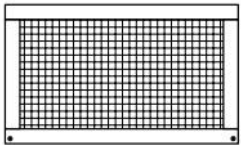
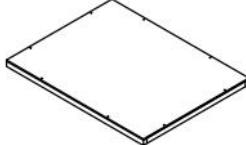


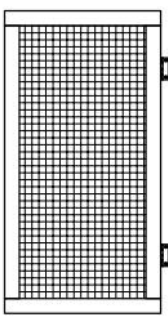
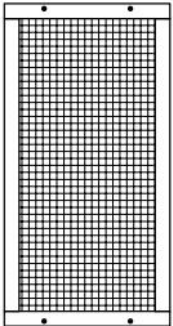
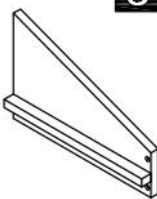
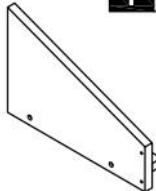




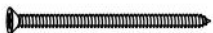


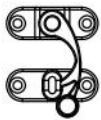

<b>Modell</b>	TY-P1052
<b>Färg</b>	Grå & W hite
<b>Material</b>	Gran & ABS & Trådnät
<b>Produktstorlek</b>	1120*650*615mm
<b>Förpackningsstorlek</b>	1185*735*118 mm



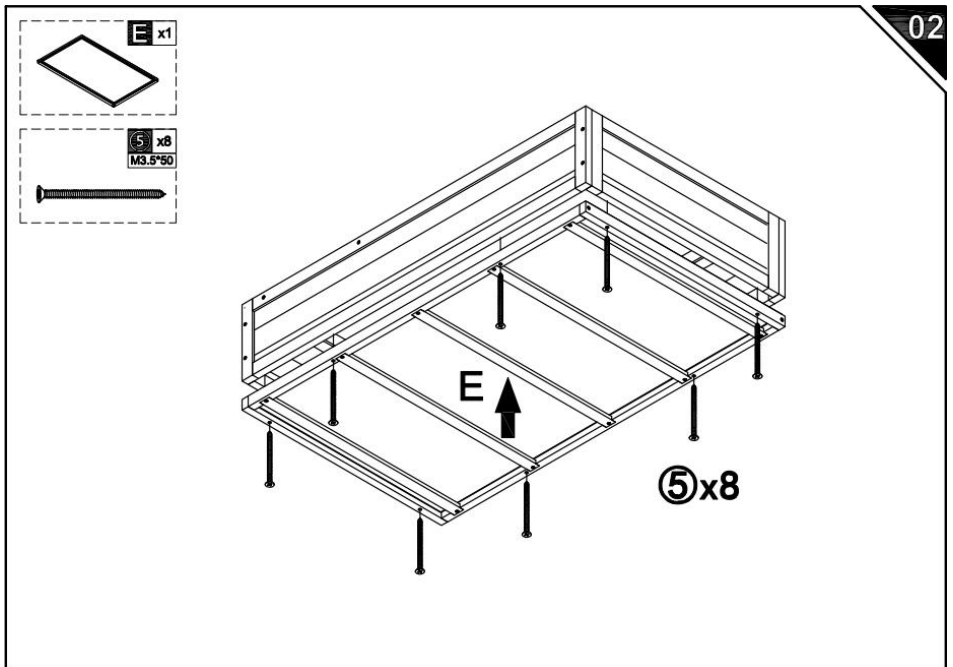
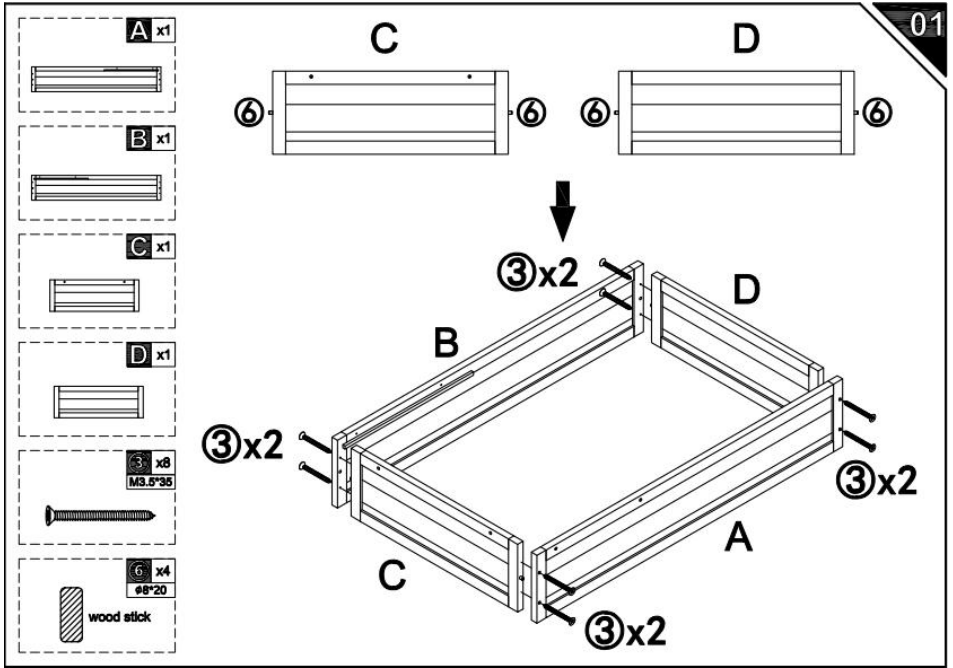
# PART LIST

<p><b>A</b> x1</p> 	<p><b>B</b> x1</p> 	
<p><b>C</b> x1</p> 	<p><b>D</b> x1</p> 	<p><b>E</b> x1</p> 
<p><b>F</b> x1</p> 	<p><b>G</b> x1</p> 	<p><b>H</b> x2</p> 
<p><b>I</b> x1</p> 	<p><b>J</b> x1</p> 	<p><b>K</b> x1</p> 
<p><b>L</b> x1</p> 	<p><b>M</b> x1</p> 	<p><b>N</b> x1</p> 

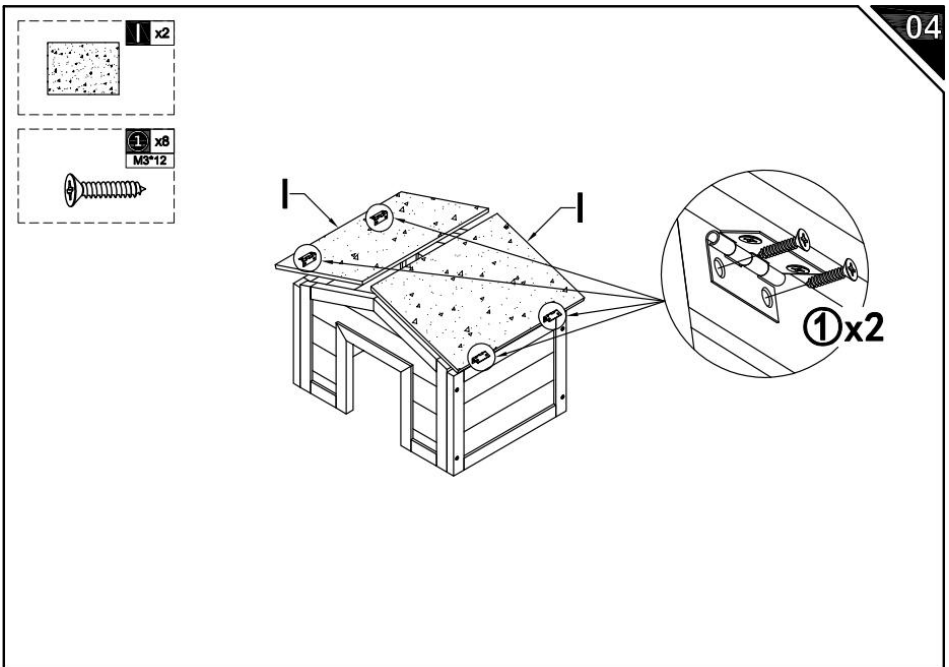
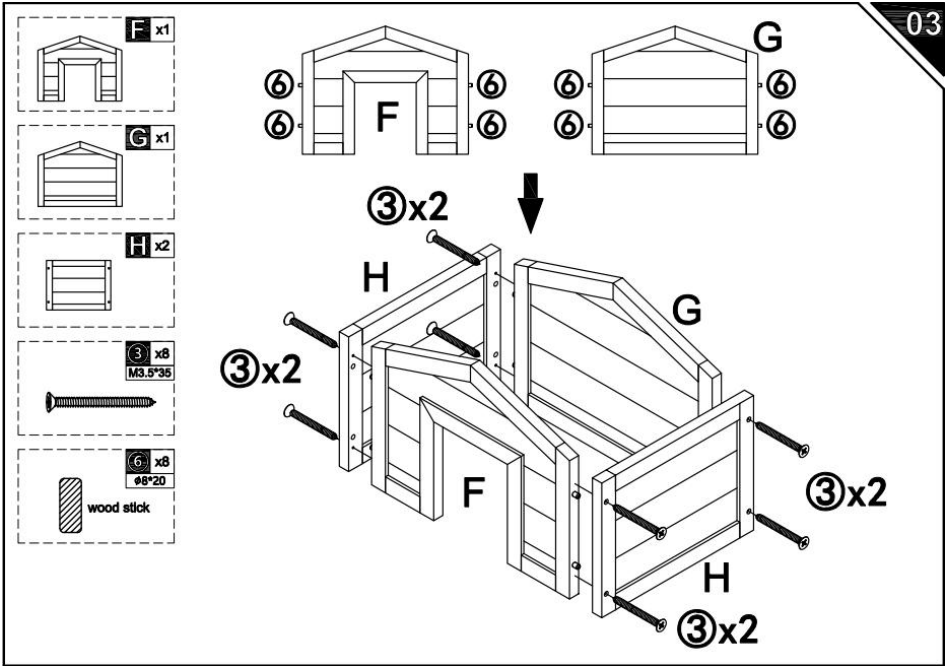
# PART LIST

<p><b>O</b> x1</p> 	<p><b>P</b> x1</p> 	<p><b>Q</b> x1</p> 		
<p><b>R</b> x1</p> 	<p><b>U</b> x1</p> 	<p><b>V</b> x1</p> 		
<p><b>S</b> x1</p> 	<p><b>T</b> x1</p> 			
<p><b>1</b> x20 M3*12 +2(spare)</p> 	<p><b>2</b> x8 M3.5*30 +1(spare)</p> 	<p><b>3</b> x34 M3.5*35 +2(spare)</p> 	<p><b>4</b> x8 M3.5*40 +1(spare)</p> 	
<p><b>5</b> x8 M3.5*50 +1(spare)</p> 	<p><b>6</b> x12 ø8*20 +2(spare)</p>  <p>wood stick</p>	<p><b>7</b> x4 M3.0*20 +1(spare)</p> 	<p><b>8</b> x1</p> 	<p><b>9</b> x2 M3.5*25</p> 

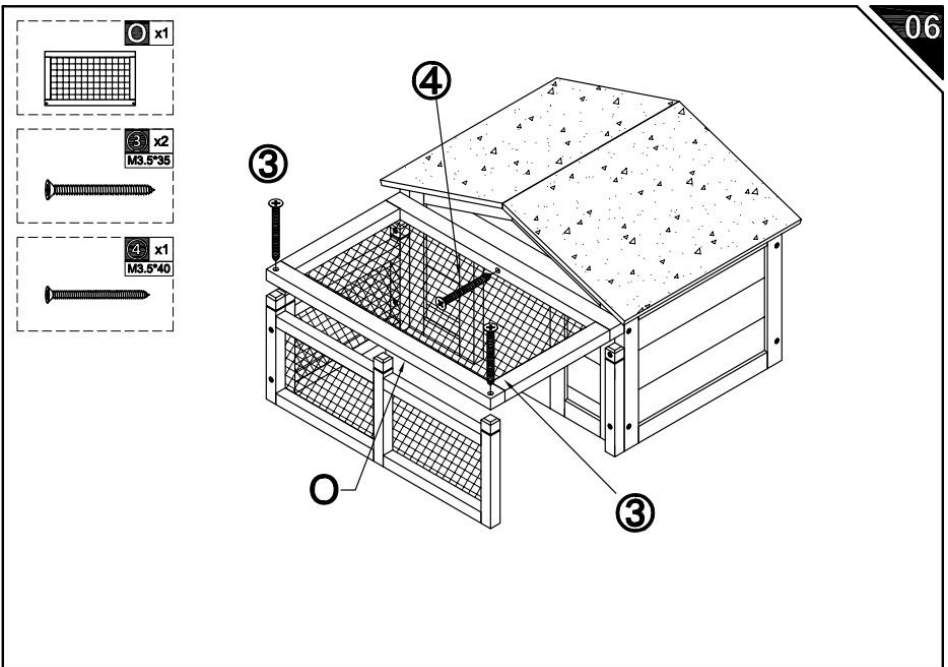
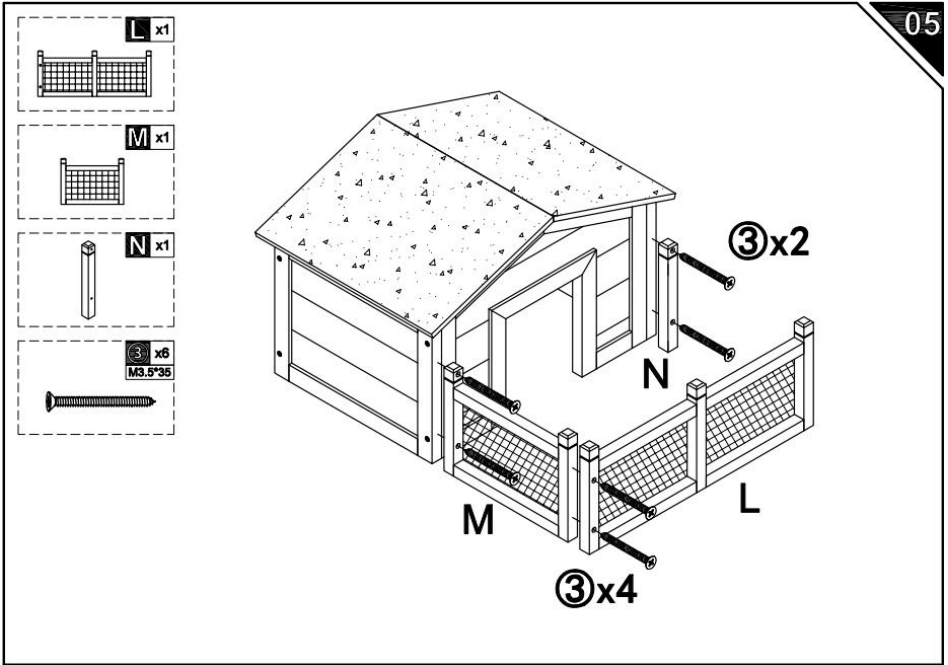
# ASSEMBLY GUIDE



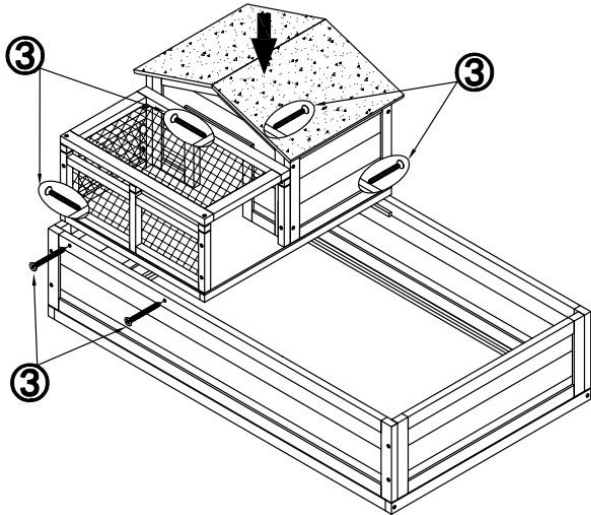
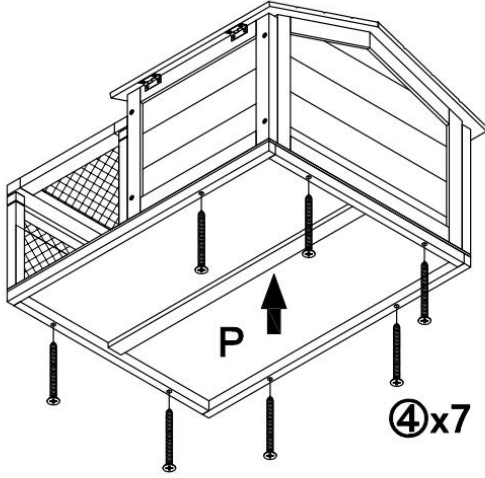
# ASSEMBLY GUIDE



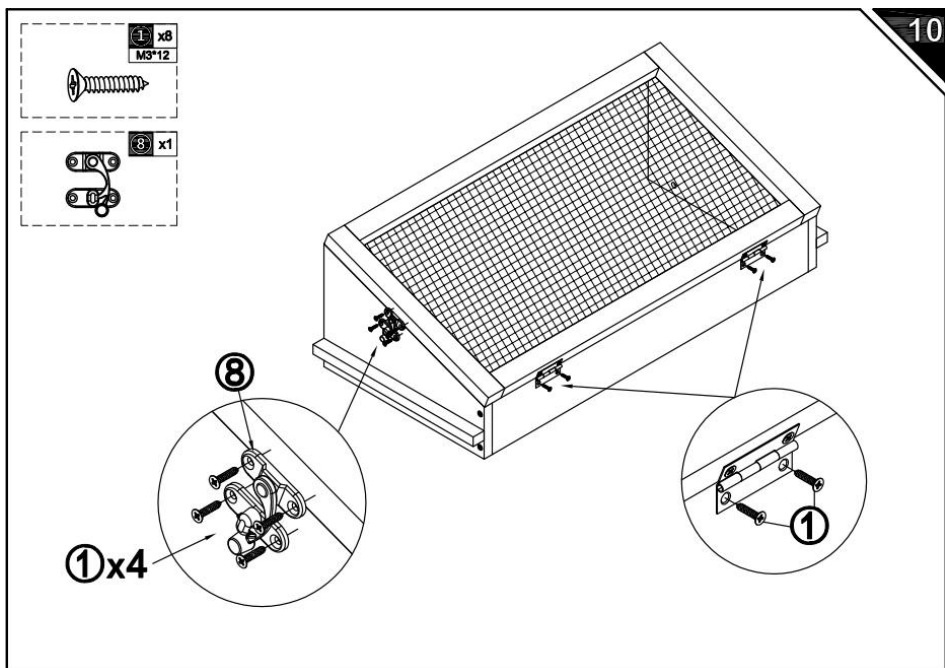
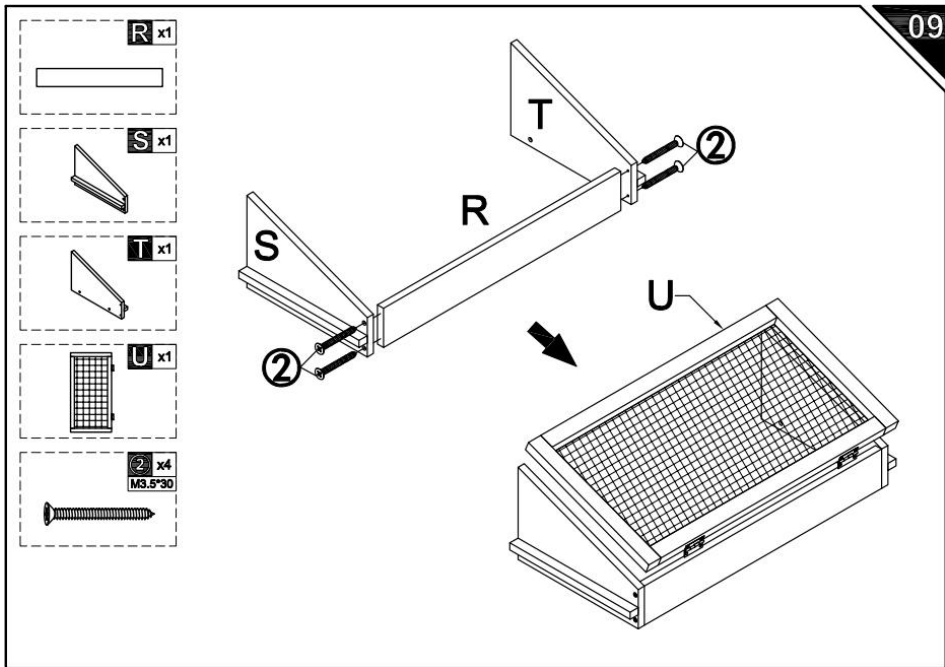
# ASSEMBLY GUIDE



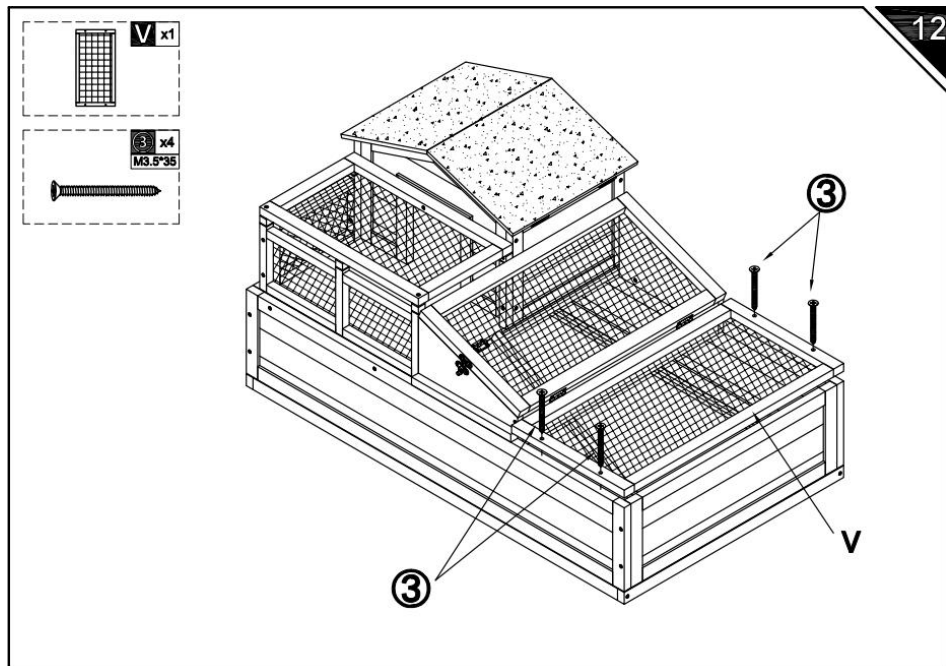
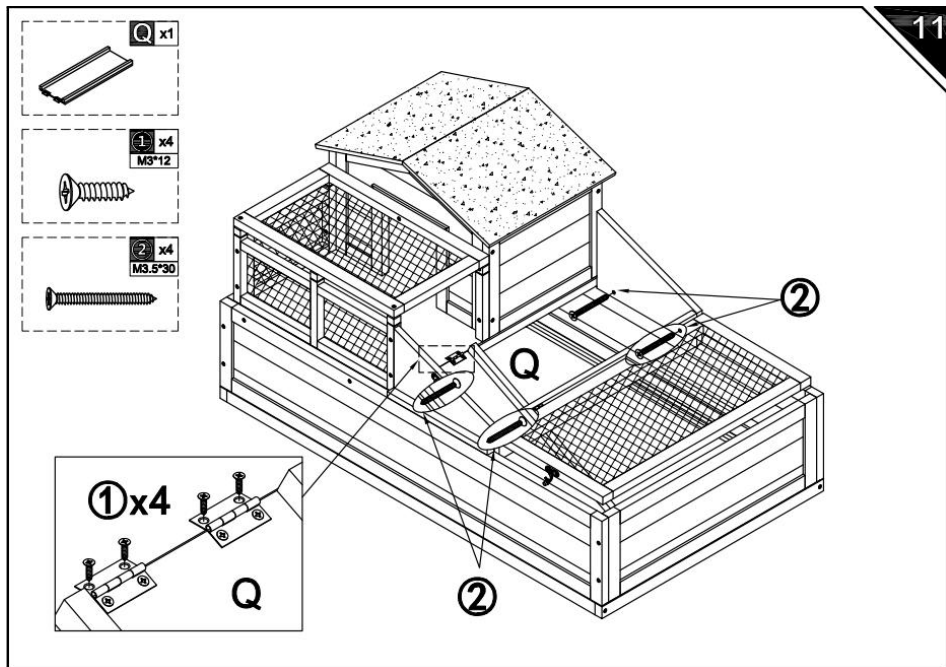
# ASSEMBLY GUIDE



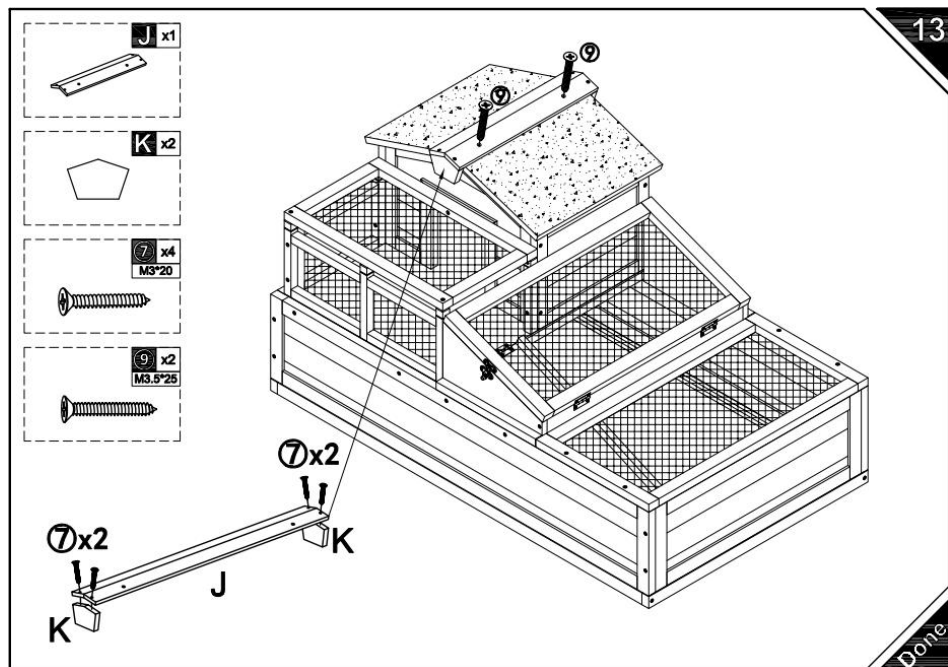
# ASSEMBLY GUIDE



# ASSEMBLY GUIDE



# ASSEMBLY GUIDE



Tillverkare: Shanghaimuxinmuyeyouxiangongsi

Adress: Shuangchenglu 803nong11hao1602A-1609shi, baoshanqu, shanghai 200000 CN.

Importerad till AUS: SIHAO PTY LTD. 1 ROKEVA STREETEASTWOOD NSW 2122 Australien

Importerad till USA: Sanven Technology Ltd. Suite 250, 9166 Anaheim Place, Rancho Cucamonga, CA 91730



E-CrossStu GmbH  
Mainzer Landstr.69, 60329 Frankfurt am Main.



YH CONSULTING LIMITED.  
C/O YH Consulting Limited Office 147, Centurion House, London Road, Staines-upon-Thames, Surrey, TW18 4AX



**VEVOR**<sup>®</sup>

**TOUGH TOOLS, HALF PRICE**

**Teknisk Support och e-garanticertifikat**

**[www.vevor.com/support](http://www.vevor.com/support)**

# **VEVOR<sup>®</sup>**

**TOUGH TOOLS, HALF PRICE**

Técnico Certificado de soporte y garantía electrónica [www.vevor.com/support](http://www.vevor.com/support)

## **CASA DE LA TORTUGA**

**MODELO: TY-P1052**

We continue to be committed to provide you tools with competitive price.

"Save Half", "Half Price" or any other similar expressions used by us only represents an estimate of savings you might benefit from buying certain tools with us compared to the major top brands and does not necessarily mean to cover all categories of tools offered by us. You are kindly reminded to verify carefully when you are placing an order with us if you are actually saving half in comparison with the top major brands.

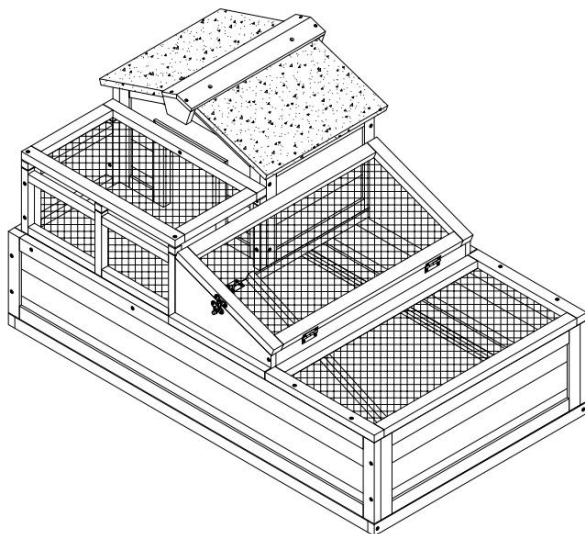


# VEVOR<sup>®</sup>

TOUGH TOOLS, HALF PRICE

## TORTOISE HOUSE

MODELO: TY-P1052



### NEED HELP? CONTACT US!

Have product questions? Need technical support? Please feel free to contact us:

**Technical Support and E-Warranty Certificate**  
**[www.vevor.com/support](http://www.vevor.com/support)**

This is the original instruction, please read all manual instructions carefully before operating. VEVOR reserves a clear interpretation of our user manual. The appearance of the product shall be subject to the product you received. Please forgive us that we won't inform you again if there are any technology or software updates on our product.



Advertencia: para reducir el riesgo de lesiones, el usuario debe leer atentamente el manual de instrucciones.

## WARNING & PRECAUTIONS

### ADVERTENCIA :

1. Use guantes protectores cuando utilice herramientas para instalar señales fijas o utilice dos personas para ayudar con la instalación.
2. Cuando lo utilice, lea primero este manual y se recomienda conservarlo en buen estado para verlo en el futuro.
3. **No** coloque almohadillas térmicas ni instale ruedas debajo para evitar sobrecalentar la madera y perforar agujeros que podrían hacer que la madera se parta.
4. Este producto es adecuado para usar con pequeños reptiles , como tortugas, geckos, serpientes, lagartos , etc.
5. Antes de la primera instalación y uso , debes secar las piezas durante al menos un día. para reducir y eliminar olores.

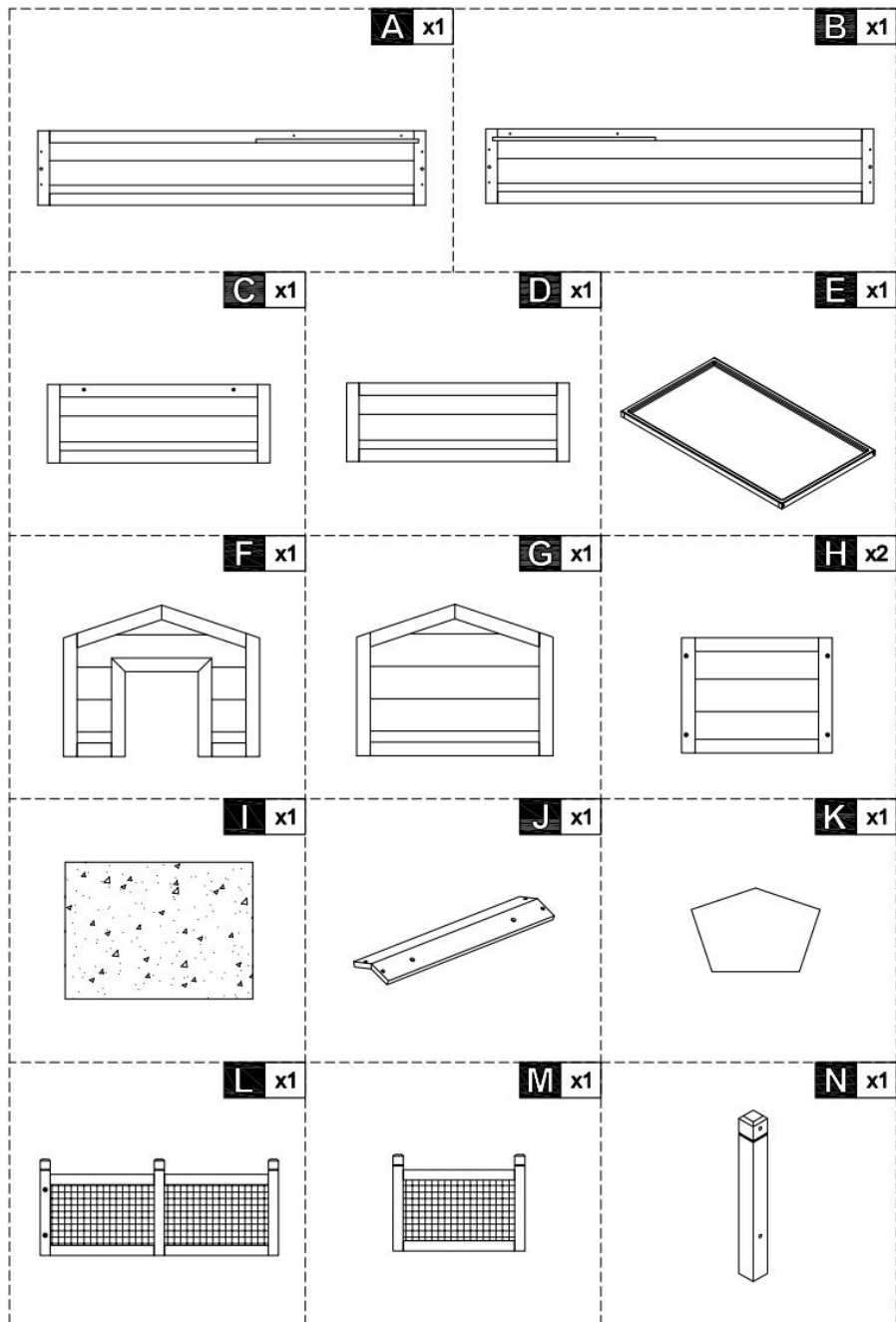
## PRODUCT DESCRIPTION

<b>Modelo</b>	TY-P1052
<b>Color</b>	Gris blanco
<b>Material</b>	Abeto y ABS y malla de alambre
<b>Tamaño del producto</b>	1120*650*615mm

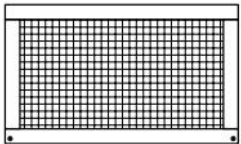
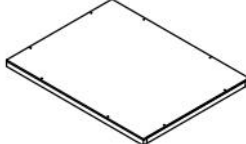


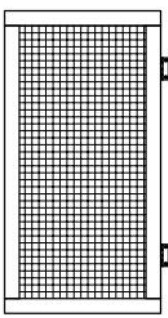
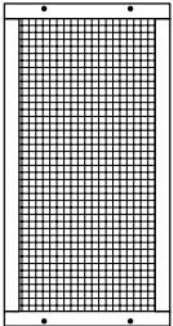
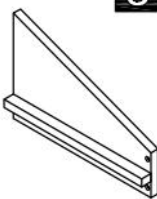
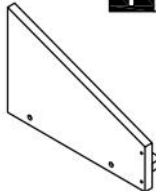




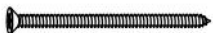


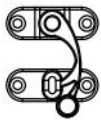

**Tamaño de  
embalaje**

1185\*735\*118 milímetros

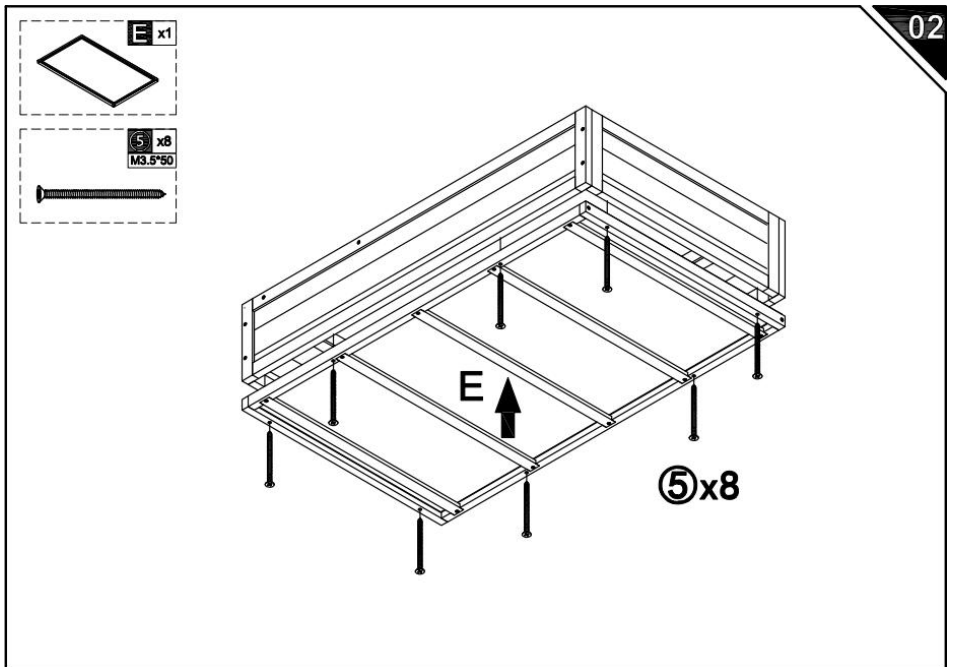
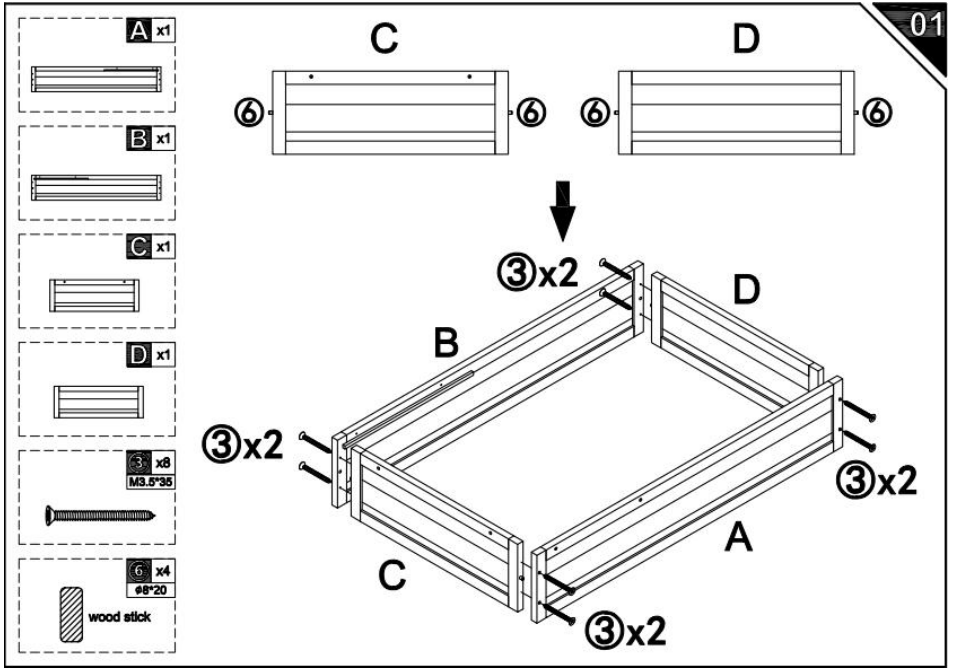
# PART LIST



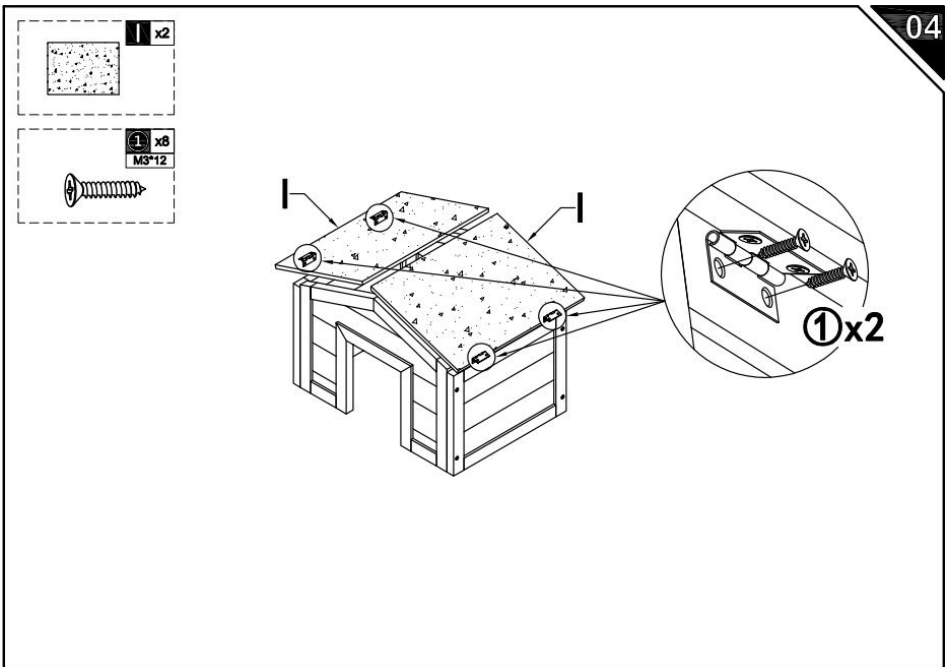
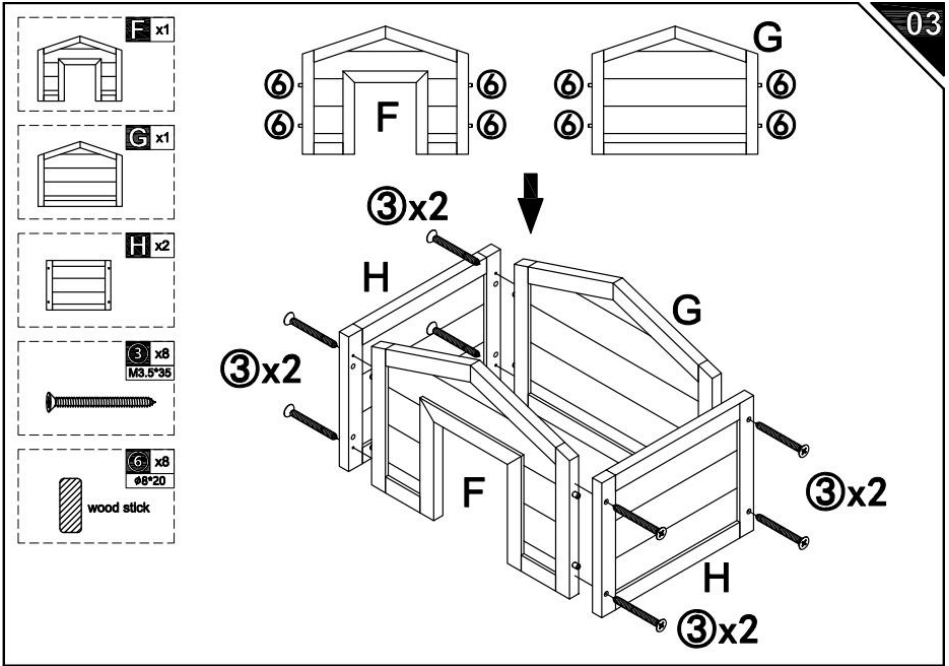
# PART LIST

<p><b>O</b> x1</p> 	<p><b>P</b> x1</p> 	<p><b>Q</b> x1</p> 		
<p><b>R</b> x1</p> 	<p><b>U</b> x1</p> 	<p><b>V</b> x1</p> 		
<p><b>S</b> x1</p> 	<p><b>T</b> x1</p> 			
<p><b>1</b> x20 M3*12 +2(spare)</p> 	<p><b>2</b> x8 M3.5*30 +1(spare)</p> 	<p><b>3</b> x34 M3.5*35 +2(spare)</p> 	<p><b>4</b> x8 M3.5*40 +1(spare)</p> 	
<p><b>5</b> x8 M3.5*50 +1(spare)</p> 	<p><b>6</b> x12 ø8*20 +2(spare)</p>  <p>wood stick</p>	<p><b>7</b> x4 M3.0*20 +1(spare)</p> 	<p><b>8</b> x1</p> 	<p><b>9</b> x2 M3.5*25</p> 

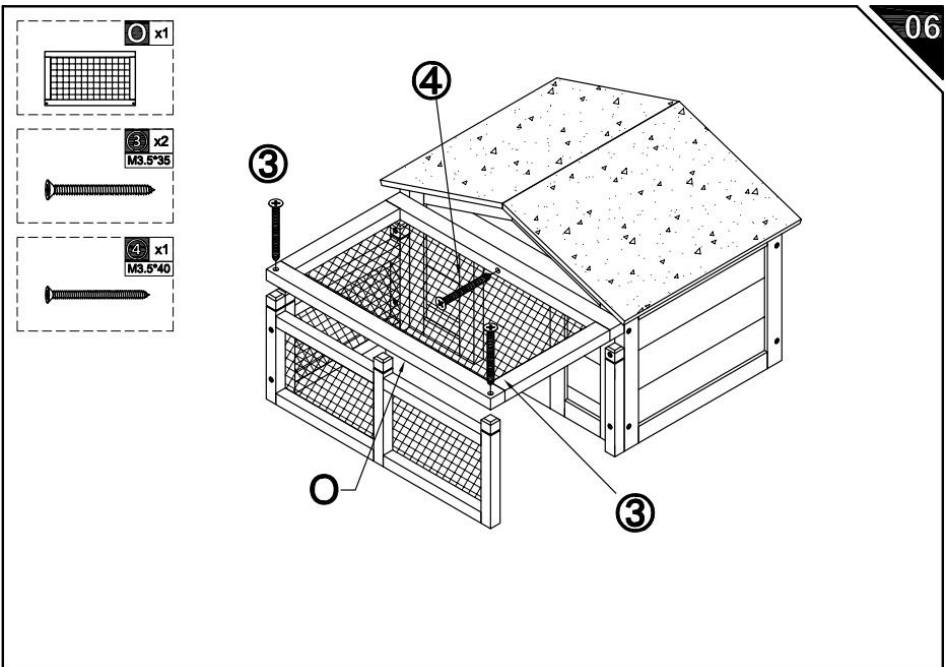
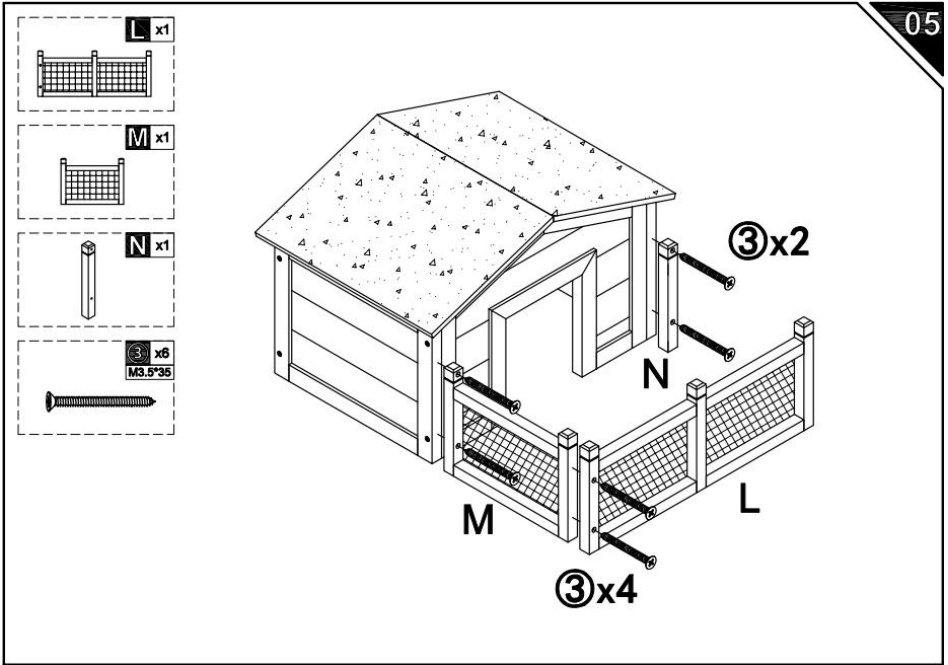
# ASSEMBLY GUIDE



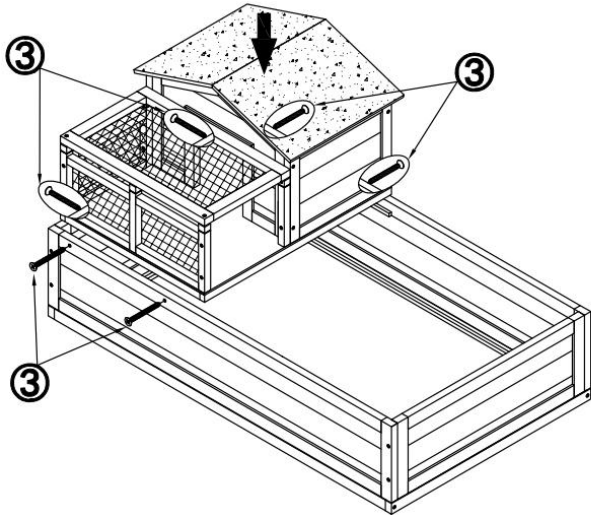
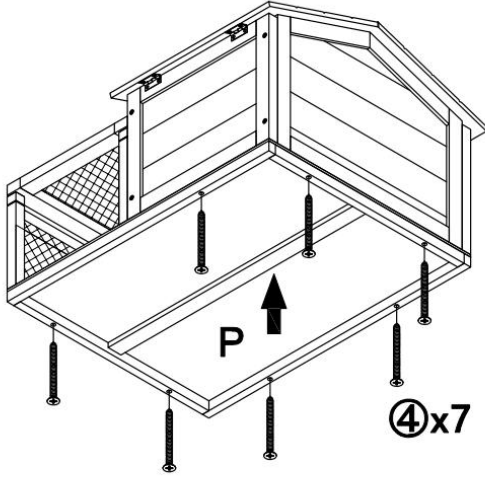
# ASSEMBLY GUIDE



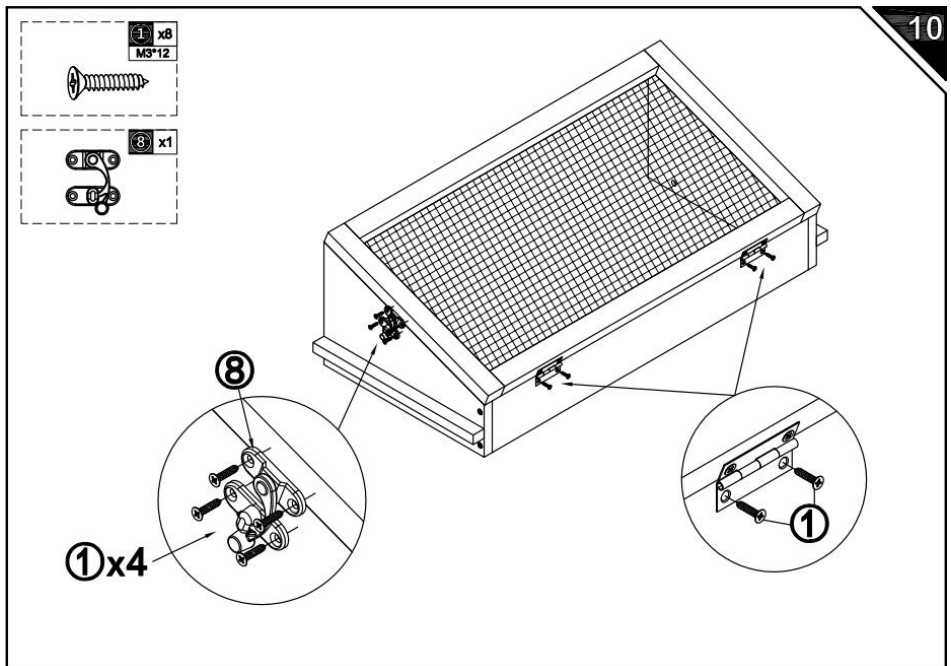
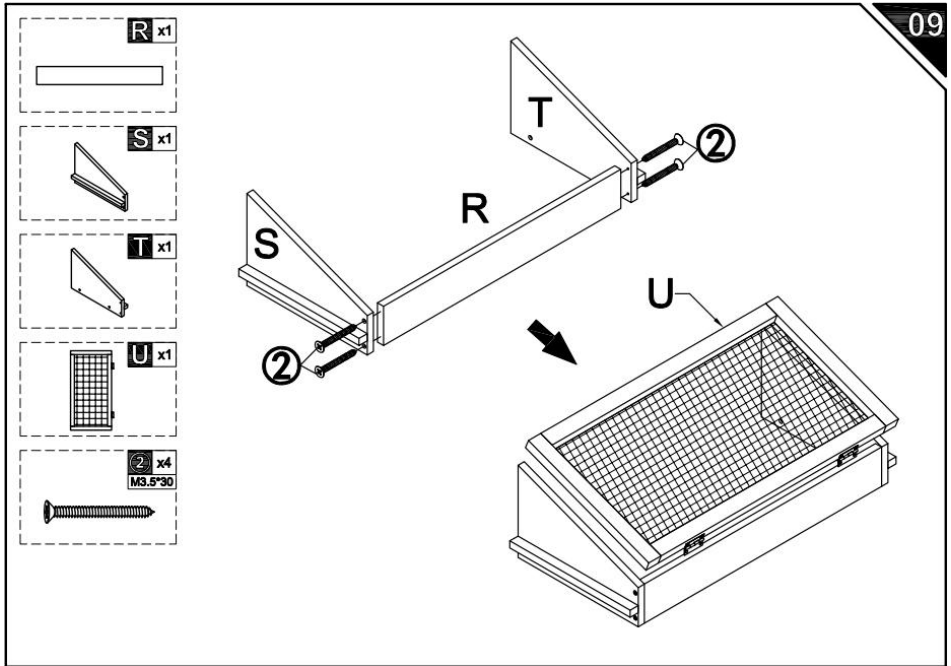
# ASSEMBLY GUIDE



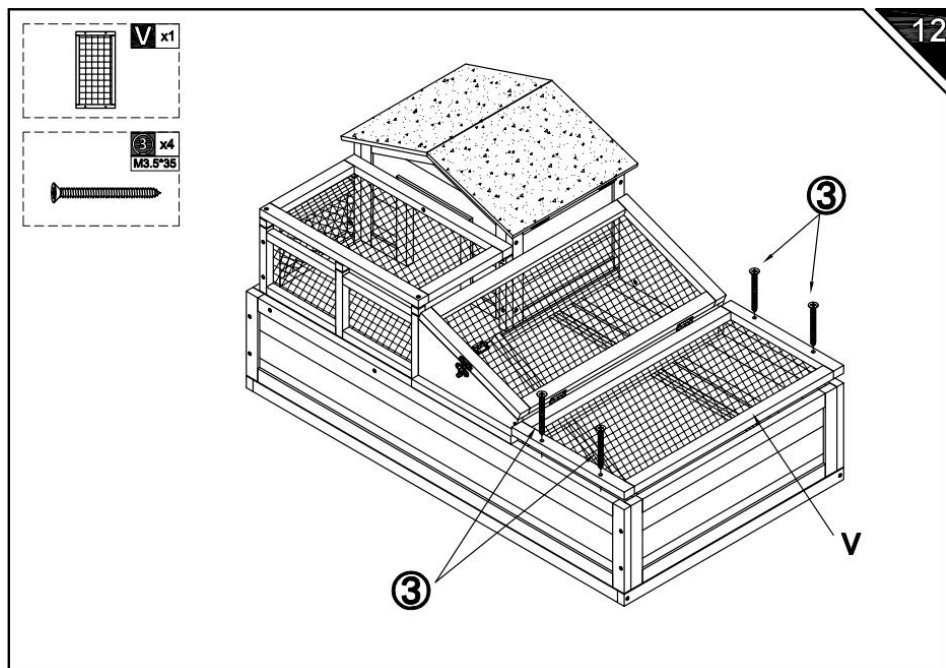
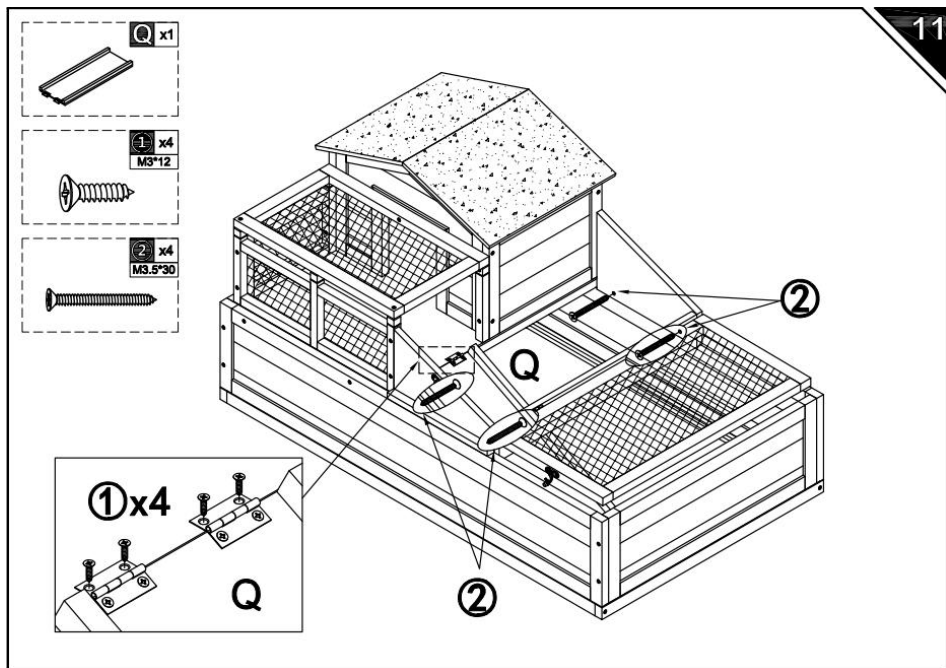
# ASSEMBLY GUIDE



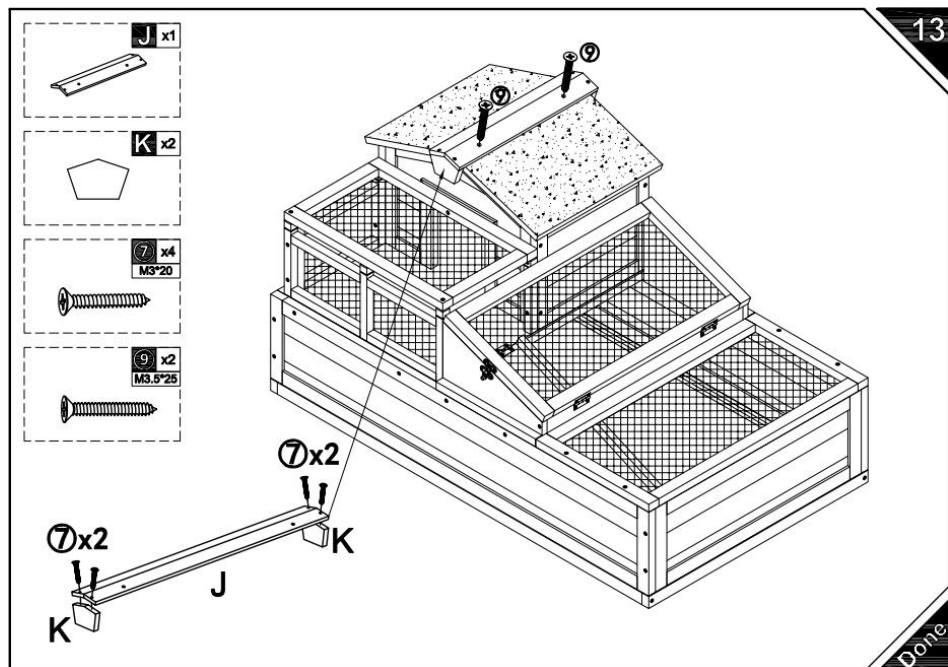
# ASSEMBLY GUIDE



# ASSEMBLY GUIDE



# ASSEMBLY GUIDE



Fabricante: Shanghaimuxinmuyeyouxiangongsi

Dirección: Shuangchenglu 803nong11hao1602A-1609shi, baoshanqu, shanghai 200000 CN.

Importado a AUS: SIHAO PTY LTD. 1 ROKEVA STREET ASTWOOD NSW 2122 Australia

Importado a EE. UU.: Sanven Technology Ltd. Suite 250, 9166 Anaheim Place, Rancho Cucamonga, CA 91730

<b>EC</b>	<b>REP</b>
-----------	------------

E-CrossStu GmbH  
Mainzer Landstr.69, 60329 Frankfurt am Main.

<b>UK</b>	<b>REP</b>
-----------	------------

YH CONSULTING LIMITED.  
C/O YH Consulting Limited Office 147, Centurion House, London Road, Staines-upon-Thames, Surrey, TW18 4AX



**VEVOR<sup>®</sup>**

**TOUGH TOOLS, HALF PRICE**

**Técnico Certificado de soporte y garantía electrónica**

**[www.vevor.com/support](http://www.vevor.com/support)**