

Installer: Leave this manual with the appliance. Consumer: Retain this manual for future reference.

# OPERATING INSTRUCTIONS AND OWNER'S MANUAL

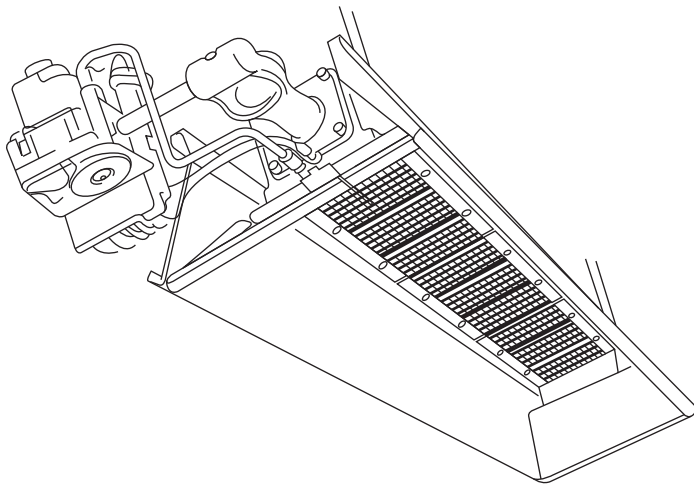
## HEATSTAR High-Intensity Infrared Heaters

MODELS

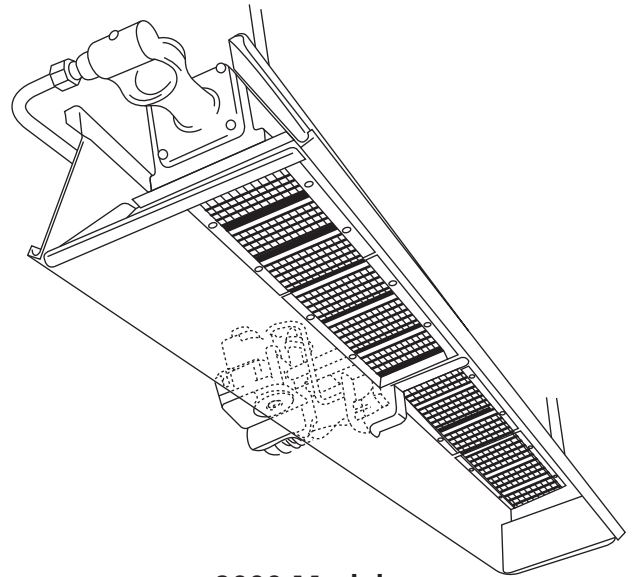
HS4040 HS9100S

HS8060 HS9120

**READ INSTRUCTIONS CAREFULLY:** Read and follow all instructions. Place instructions in a safe place for future reference. Do not allow anyone who has not read these instructions to assemble, light, adjust or operate the heater.



**4000 & 8000 Models**



**9000 Models**

**WARNING:** If the information in this manual is not followed exactly, a fire or explosion may result causing property damage, personal injury or loss of life.

- Do not store or use gasoline or other flammable vapors and liquids in the vicinity of this or any other appliance.
- WHAT TO DO IF YOU SMELL GAS
  - Shut off gas supply
  - Do not try to light appliance
  - Do not touch an electrical switch; do not use any phone in your building
  - Immediately call your gas supplier from a neighbor's phone.  
Follow the gas supplier's instructions
  - If you cannot reach your gas supplier, call the fire department
- Installation and service must be performed by a qualified installer, service agency or the gas supplier.

This is an unvented gas-fired heater. It uses air (oxygen) from the area in which it is used. Adequate combustion and ventilation air must be provided. Refer to page 4.

**⚠ WARNING:** Improper installation, adjustment, alteration, service or maintenance can cause property damage, injury or death. Read the installation, operation, and maintenance instructions thoroughly before installing or servicing this equipment. For assistance or additional information consult a qualified installer, service agency, or gas supplier.

**⚠ WARNING:** When used without fresh air, heater may give off CARBON MONOXIDE, an odorless poisonous gas. OPEN WINDOW AN INCH OR TWO FOR FRESH AIR WHEN USING HEATER.

**⚠ WARNING:** This heater is equipped with a PILOT LIGHT SAFETY SYSTEM. DO NOT TAMPER WITH PILOT LIGHT SAFETY SYSTEM.

**⚠ WARNING:** If heater shuts off, do not relight until you provide fresh air. If heater keeps shutting off, have it serviced. Keep burner and control clean. Open door for 5 minutes.

Maintain clearances as shown in Figure 1 or on heater nameplate.

- DO NOT USE MATCH OR OTHER FLAME FOR LEAK TESTING.
- DO NOT EXCEED 1/2 PSI INLET PRESSURE TO HEATER.

**DANGER:**

Carbon monoxide poisoning may lead to death.

**Carbon Monoxide Poisoning:**

Early signs of carbon monoxide poisoning resemble the flu, with headaches, dizziness, or nausea. If you have these signs, the heater may not be working properly. Get fresh air at once! Have heater serviced. Some people are more affected by carbon monoxide than others. These include pregnant women, persons with heart or lung disease or anemia, those under the influence of alcohol, and those at high altitudes.

**CAUTION:**

- Never connect gas valve or thermostat to line voltage or a transformer.
- If the infra-red color of the grid becomes dull when the building furnace is operating, consult gas supplier on correct gas supply piping sizes.
- This heater is for indoor installation only!

**NOTE** Gasket binder material used in this heater assembly will temporarily emit an odor and/or vapor. This condition will clear up in approximately 20 minutes and thereafter will not reoccur. Refer to page 4 for ventilation.

**THE STATE OF CALIFORNIA REQUIRES THE FOLLOWING WARNING:**

**⚠ WARNING:** Combustion by-products produced when using this product contain carbon monoxide, a chemical known to the State of California to cause cancer and birth defects (or other reproductive harm).

**CONTENTS**

General Information.....	3
Clearances .....	3
Gas Supply.....	3
Gas Pressure .....	3
Electrical .....	4
Thermostat & Location.....	4
Ventilation .....	4
Operations.....	4
Cleaning Information .....	4
Connection diagram for flame rod current for flame rectification systems.....	5
Thermostat .....	5
Replacement parts .....	7
Control system replacement parts .....	10



## 1. GENERAL INFORMATION

- Your heater comes fully assembled and is tested at the factory for proper gas and input as stated on the name plate.
- Before proceeding with the installation, be sure to inspect for damages. Freight company must be notified of any damages and request that an inspection be made by the freight company. HEAT STAR will send replacement parts for damaged parts only after receiving a signed inspection report to prove the liability of the freight company.
- Do not attempt to operate heater with any other gas than that indicated on the heater name plate.
- The installation of heater must conform with local building codes or, in absence of local codes, with the National Fuel Gas Code, ANSI Z223.1a/NFPA54. In Canada, refer to Can 1-B146.1 and B149.2.
- Plugged 1/8" N.P.T. Test Gage Connection is located on the Heater Gas Control or a 1/4" N.P.T. Connection is located on the outside of the Cast Venturi.

## 2. CLEARANCES Minimum clearances to combustibles. (Refer to Figure 1)

Provide adequate clearance to combustibles, Figure 1, between control end of heater for servicing and minimum on top and sides for ventilation and combustion air supply.

A minimum clearance of 8' above floor for public garages in accordance with ANSI/NFPA No. 88 most recent edition or Figure 1; whichever is larger. In Canada refer to Can 1-B149.1 and B149.2 Installation codes for Gas burning appliances.

A minimum clearance of 10' from the bottom of heater to top of wing, or engine enclosure, where aircraft are housed, and 8' above floor in other areas of the hangar in accordance with ANSI/NFPA No. 409 most recent

edition, or Figure 1; the larger dimension of ANSI/NFPA No. 409 or Figure 1 is to be used. In Canada refer to CCA B149-1-M91 and B149.2.

**⚠ WARNING:** MAINTAIN CLEARANCES AS SHOWN IN FIGURE 1 OR ON HEATER NAMEPLATE, IN GARAGE INSTALLATIONS WHERE PARKED VEHICLES ARE DIRECTLY BELOW THE HEATER.

## 3. SUSPENSION

Heater has four mounting holes, two on each end, for attaching rod or angle iron brackets and shall be safely and adequately fixed in position independent of gas and electric supply lines. Refer to Figures 4, 5, and 7 on pages 13 and 14 for recommended suspensions.

## 4. GAS SUPPLY

Provide adequate gas supply for rated input of each heater using American Standard Installation of gas piping and gas appliances in building ANSI/223. 1a/NFPA54 Pamphlet, Table C-3 shows capacity of pipe of different diameters and lengths in cubic feet per hour for Natural Gas with pressure drop of 0.3 inches specify gravity of 0.60. For liquefied Petroleum Gas (LP) capacity refer to Table C-3 and C-15 of the same pamphlet. For recommended heater gas connection refer to Figure No. 5, Page 15. In Canada refer to Can 1-B149.1 and B149.2, and CSA sto. B63.

If gas lines are to be pressure tested with compressed air, disconnect each heater to prevent control damage and cap outlets. After reconnecting all heaters, purge gas lines of air and check all connections for leaks using soap solution.

**⚠ WARNING:** DO NOT USE MATCH OR OTHER FLAME FOR LEAK TESTING.

## 5. GAS PRESSURE

When a higher than the maximum recommended gas pressure is being maintained at the main gas line,

**FIGURE 1**

MODEL NO.	BTU/HR. RATING		NORMAL MOUNTING POSITION	CLEARANCES TO COMBUSTIBLES			
	GAS			TOP	SIDES	BACK	BELOW
	NATURAL	PROPANE					
4030**	30,000	30,000	Horiz.-45°	30"	30"	30"	54"
4040*	40,000	40,000	Horiz.-45°	34"	30"	30"	68"
8050**	50,000	50,000	Horiz.-45°	36"	30"	30"	78"
8060*	60,000	60,000	Horiz.-45°	40"	30"	30"	84"
8070**	70,000	–	Horiz.-45°	40"	30"	30"	84"
9080**	80,000	80,000	Horiz.-45°	46"	40"	40"	104"
9090**	90,000	90,000	Horiz.-45°	46"	46"	46"	114"
9100S*	100,000	100,000	Horiz.-45°	48"	46"	46"	118"
9100**	100,000	100,000	Horiz.-45°	44"	40"	40"	104"
9120*	120,000	120,000	Horiz.-45°	46"	46"	46"	114"
9140**	140,000	–	Horiz.-45°	16"	46"	46"	114"

\*High Intensity Heaters are only sold as 4040, 8060, 9100S, and 9120

\*\*Different model numbers are achieved by using supplemental orifices included with heaters to change heat output.

a separate regulator must be installed ahead of the heater. Refer to Figure 2 for maximum allowable pressure for stated model and gas.

See heater rating plate for minimum gas supply pressure "For the Purpose of Input Adjustment"

On a multiple heater installation it may be possible to use one large capacity regulator or an individual regulator for each heater. Nevertheless, it is recommended practice to make the entire pipe system a loop. Contact your local representative or the factory for proper gas pressure reducing design stage.

**⚠ WARNING:** DO NOT EXCEED ½ P.S.I. INLET PRESSURE TO HEATERS SHOWN IN FIGURES 1 AND 2

## 6. ELECTRICAL

All external wiring must be in accordance with the existing electrical code. Use wiring diagram furnished with heater. Be sure electric supply characteristics match those called for on the name plate. The unit must be electrically grounded in accordance with the National Electrical Code, ANSI/NFPA70, latest revision. In Canada refer to Canadian electrical code CSA C22.1

## 7. THERMOSTAT & LOCATION

Make sure that the electrical characteristics of the thermostat match those of the heater controls. For best results thermostat should be positioned 5 ft. above floor where air can circulate freely around it. DO NOT MOUNT directly to cold-side wall, in direct drafts or directly beneath the infra-red heater.

## 8. VENTILATION

a. The minimum intake and exhaust air openings shall provide for not less than 400 CFM for every 100,000 BTU input except that the infiltration area may be included in the intake area. The exhaust fan must be interlocked with the heater thermostat. If a power exhaust fan is used, it should be controlled by the thermostat or humidistat

b. Where natural (gravity) ventilation is provided for exhaust, the openings must be distributed above the heaters (preferably at the peak of the roof) and the areas of openings shall not be less than 300 square inches for every 100,000 BTU input.

## 9. OPERATIONS

Upon completion of electrical wiring, gas piping and purging of gas lines to heaters, refer to the lighting instruction plate attached to heater for proper lighting procedure.

## 10. CLEANING INFORMATION

Blow out Venturi and burner face with compressed air (25# max. pressure); also clean orifices (see Figure 2 for correct size drill). For detailed maintenance and cleaning instructions contact your local representative or factory.

**⚠ WARNING:** GASKET BINDER MATERIAL USED IN THIS HEATER ASSEMBLY WILL TEMPORARILY EMIT AN ODOR AND/OR VAPOR. USE VENTILATION (a OR b) AND THIS CONDITION WILL CLEAR UP IN APPROXIMATELY 20 MINUTES AND WILL NOT REOCCUR.

**⚠ WARNING:** DO NOT ATTEMPT TO IGNITE THE PILOT BY HAND ON HEATERS EQUIPPED WITH AUTOMATIC SPARK IGNITION.

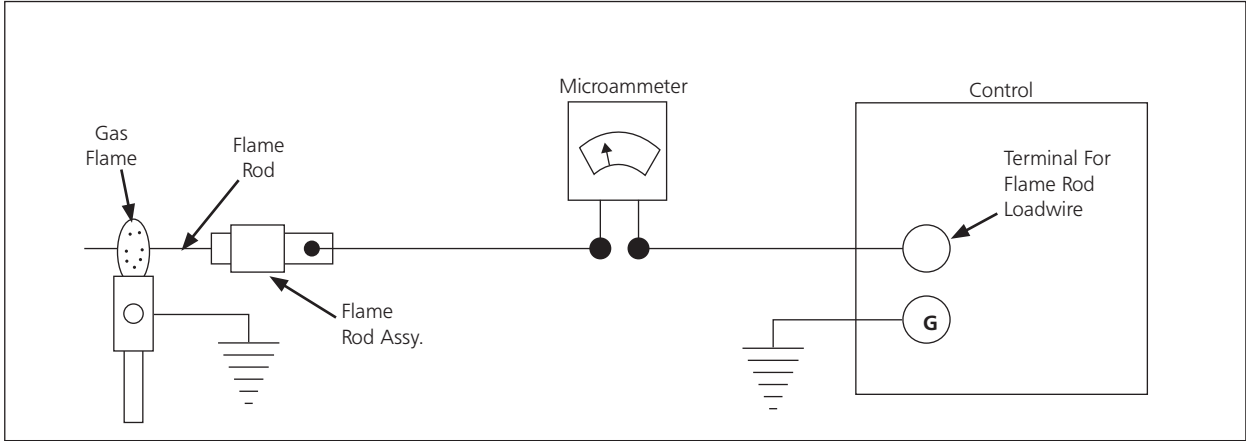
**⚠ WARNING:** THE STATE OF CALIFORNIA REQUIRES THE FOLLOWING WARNING: COMBUSTION BY-PRODUCTS PRODUCED WHEN USING THIS PRODUCT CONTAIN CARBON MONOXIDE, A CHEMICAL KNOWN TO THE STATE OF CALIFORNIA TO CAUSE CANCER AND BIRTH DEFECTS (OR OTHER REPRODUCTIVE HARM).

**⚠ NOTE:** USE LATEST EDITION FOR ALL ANSI STANDARD AND CANADIAN STANDARDS.

FIGURE 2

MODEL NO.	BTU/HR. RATING		GAS SUPPLY PRESSURE (W.C.)						ORIFICE SIZE	
	GAS		MIN.		MAX.		MANIFOLD		NAT.	L.P.
	NATURAL	PROPANE	NAT.	L.P.	NAT.	L.P.	NAT.	L.P.		
4030	30,000	30,000	6.6"	11"	14"	14"	5.6"	10"	43	52
4040	40,000	40,000	6.8"	11"	14"	14"	5.8"	10"	37	49
8050	50,000	50,000	7.0"	11"	14"	14"	4.3"	10"	30	45
8060	60,000	60,000	7.0"	11"	14"	14"	5.8"	10"	29	43
8070	70,000	-	7.0"	-	14"	-	6.0"	-	28	-
9080	80,000	80,000	7.0"	11"	14"	14"	5.8"	10"	37	49
9090	90,000	90,000	7.0"	11"	14"	14"	5.0"	10"	32	47
9100S	100,000	100,000	7.0"	11"	14"	14"	5.0"	10"	31	46
9100	100,000	100,000	7.0"	11"	14"	14"	4.3"	10"	30	45
9120	120,000	120,000	7.0"	11"	14"	14"	5.8"	10"	29	43
9140	140,000	-	7.0"	-	14"	-	5.5"	-	28	-

# CONNECTION DIAGRAM FOR FLAME ROD CURRENT FOR FLAME RECTIFICATION SYSTEMS (DSP-5, A5)



**Figure 3** – Using a microammeter to prove adequate grounding area.

## MEANS OF PROVING ADEQUATE GROUNDING AREA

The proper flame-rod-to-ground-area ratio cannot always be determined by visual examination or physical measurement. A positive means of checking the installation is the measurement of the flame rod current under actual firing conditions. It is definitely recommended that the installer measure the current flow between the lead of the flame rod unit and the terminal in the control terminal board (see Figure 3). Measure the current with a DC Microammeter or equal. We recommend a steady output of .9 microamperes or more. A steady flow of current in this amount under actual firing conditions will generally indicate adequate grounding of the pilot flame.

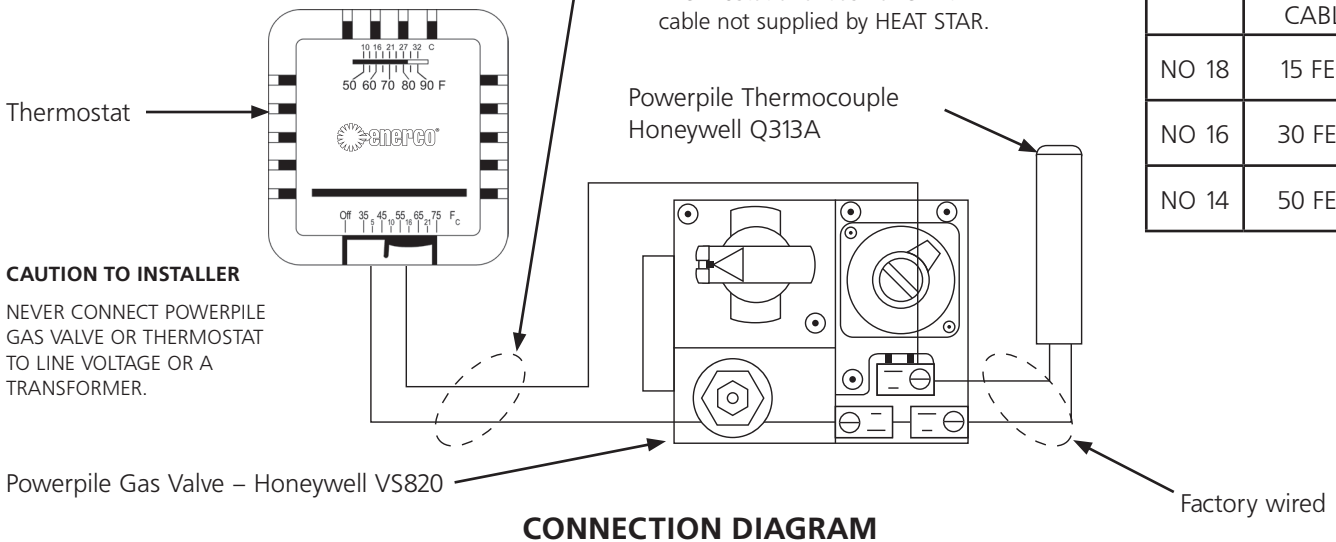
## NOTE:

1. Read all control data sheet supplied with this heater.
2. Check flame rod for any contact to heater parts. Flame rod must be free of any contact to heater. Contact with heater will short circuit flame rod.
3. Cracked porcelain on flame rod will short circuit sensor. Replace flame rod.

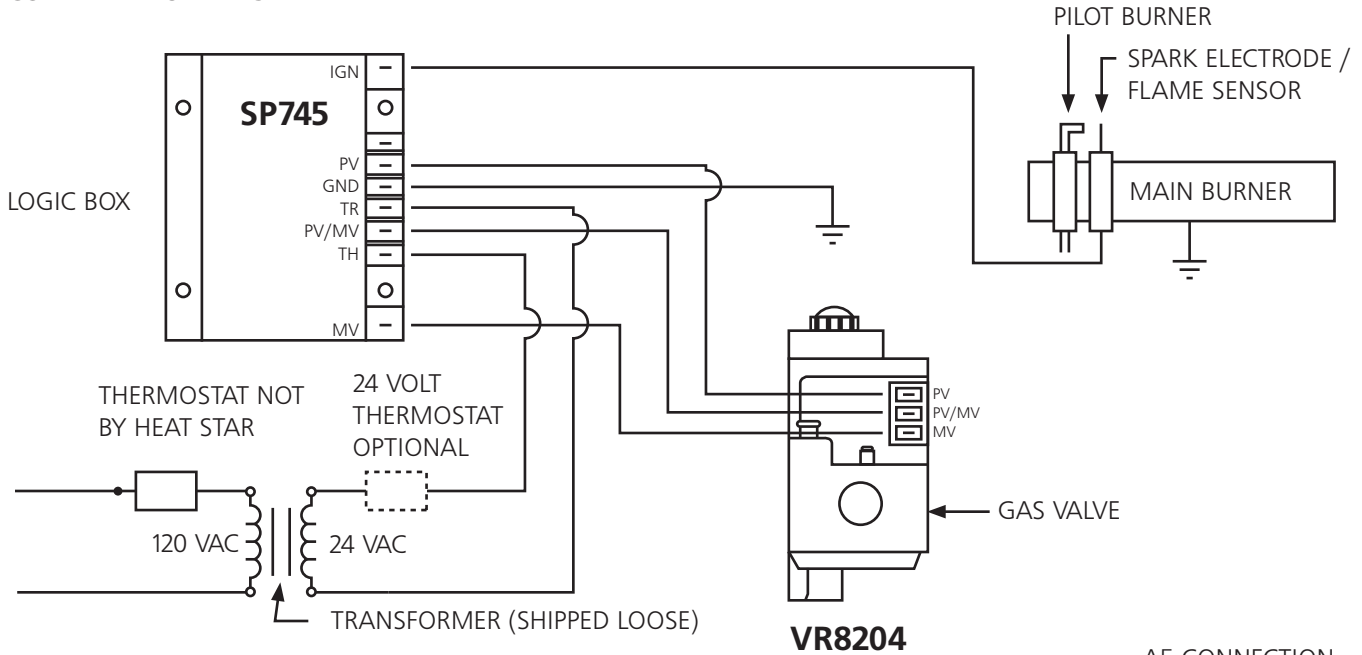
## THERMOSTAT

NOTE Do not exceed the maximum lengths listed in the table when wiring between the Thermostat and Gas Valve with cable not supplied by HEAT STAR.

WIRE SIZES	MAXIMUM LENGTH OF WIRE CABLE
NO 18	15 FEET
NO 16	30 FEET
NO 14	50 FEET

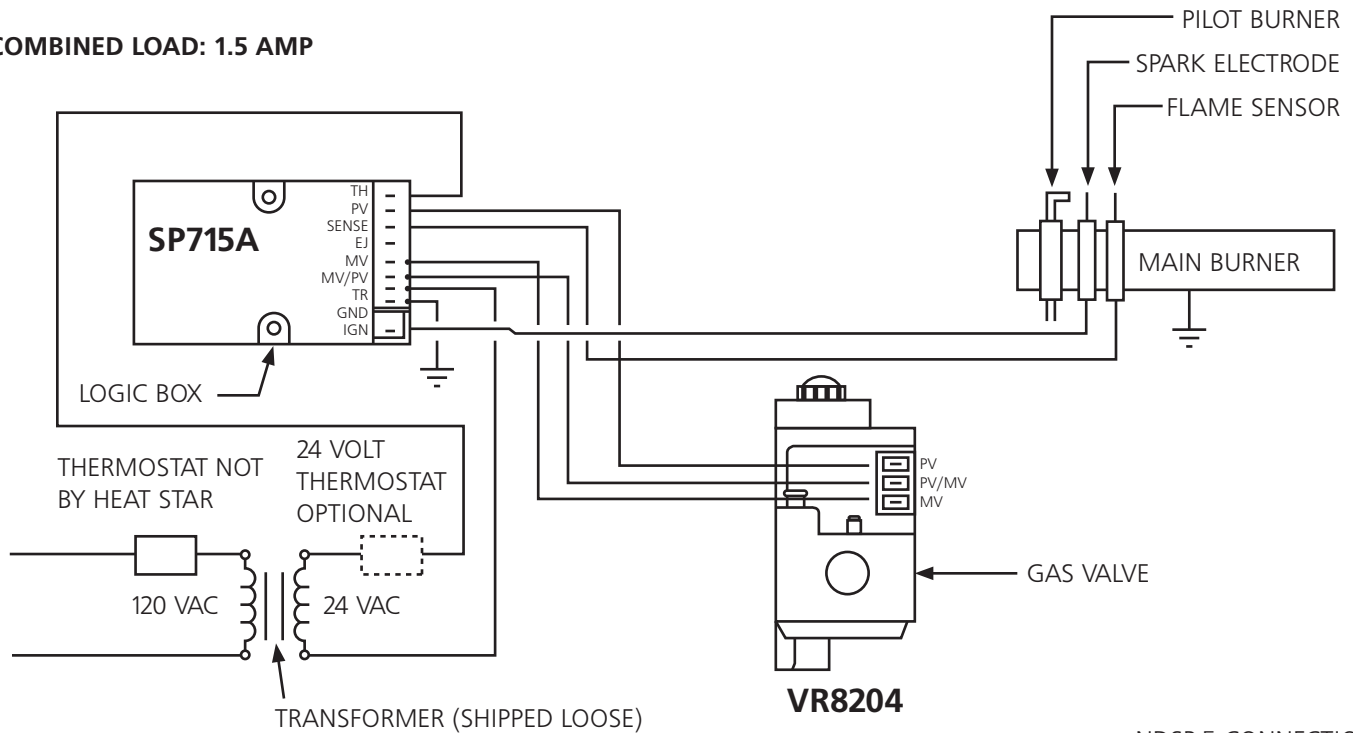


**COMBINED LOAD: 1.5 AMP.**



A5 CONNECTION  
DIAGRAM  
REF. B2984-1

**COMBINED LOAD: 1.5 AMP**

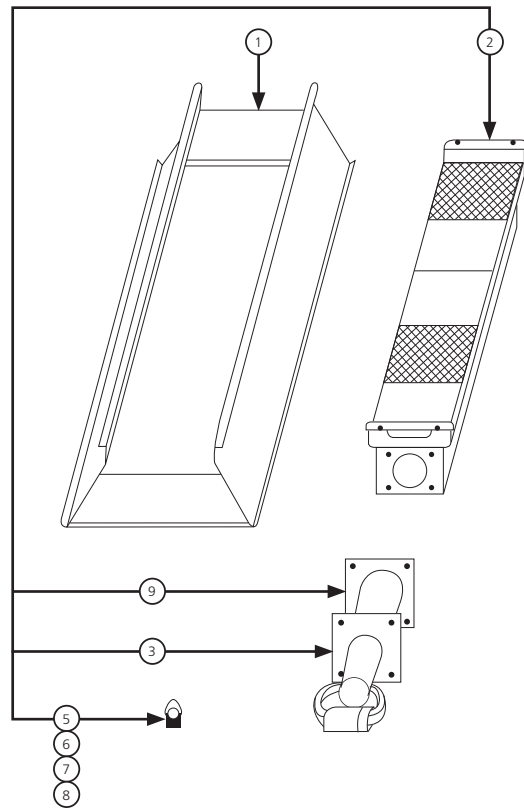


NDSP-5 CONNECTION  
DIAGRAM  
REF. A2983-1



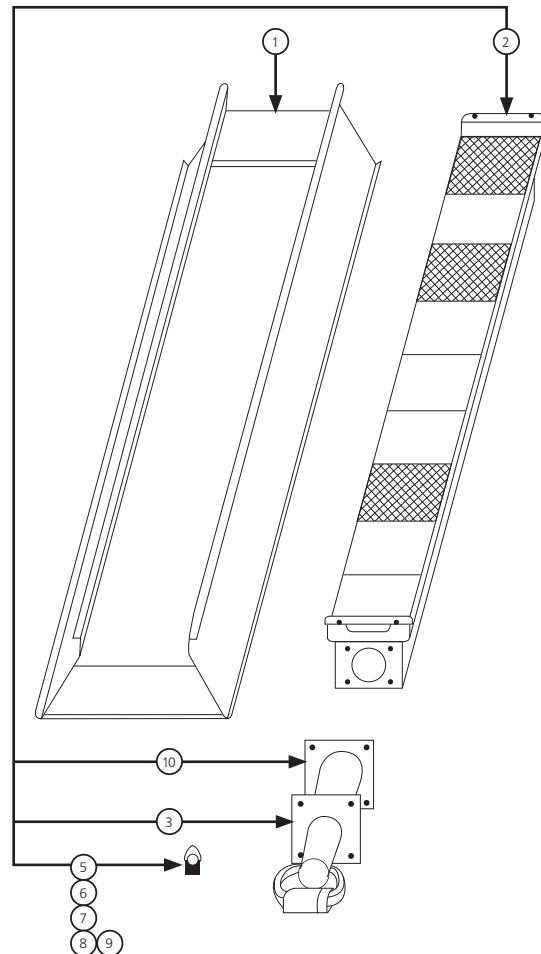
**Replacement Parts List For Heaters  
4000 Series Models / Less Control**

Item No.	No. Req'd.	Stock No.	Description
1	1	00435 A	Reflector Assembly
2	1	02523 A	Burner Assembly
3	1	03397 P	Venturi
4			
5	1	05437	Orifice – Br. N.G. 4040
6	1	05443	Orifice – Br. N.G. 4030
7	1	05449	Orifice – Br. L.P. 4040
8	1	05452	Orifice – Br. L.P. 4030
9	1	12366	Gasket – Venturi
10			
11			
<p>4040 Nat. Gas — or 2</p> <p>① ③ ⑤ ⑨</p>			
<p>4040 Nat. Gas — or 2</p> <p>① ③ ⑥ ⑨</p>			
<p>4040 Propane — or 2</p> <p>① ③ ⑦ ⑨</p>			
<p>4040 Propane — or 2</p> <p>① ③ ⑧ ⑨</p>			



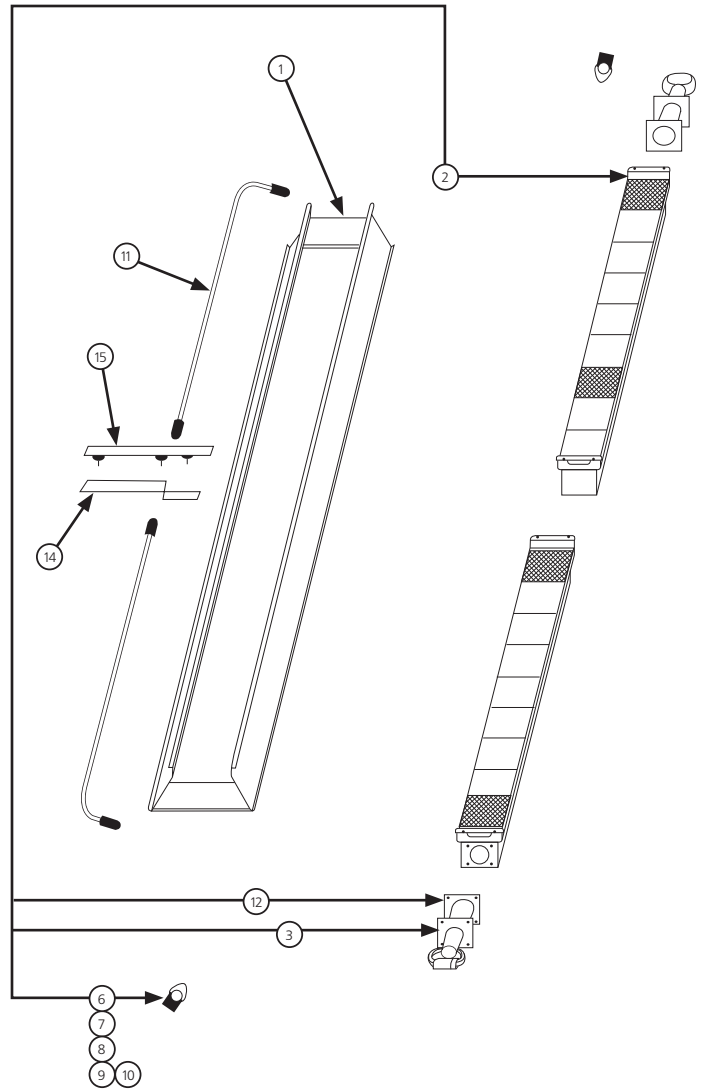
**Replacement Parts List For Heaters  
8000 Series Models / Less Control**

Item No.	No. Req'd.	Stock No.	Description
1	1	00442 A	Reflector Assembly
2	1	02524 A	Burner Assembly
3	1	03421 P	Venturi
4			
5	1	05428	Orifice – Br. N.G. 8070
6	1	05429	Orifice – Br. N.G. 8060
7	1	05430	Orifice – Br. N.G. 8050
8	1	05443	Orifice – Br. L.P. 8060
9	1	05445	Orifice – Br. L.P. 8050
10	1	12366	Gasket – Venturi
11			
12			
<p>8070 Nat. Gas — or 2</p> <p>① ③ ⑤ ⑩</p>			
<p>8060 Nat. Gas — or 2</p> <p>① ③ ⑥ ⑩</p>			
<p>8050 Nat. Gas — or 2</p> <p>① ③ ⑦ ⑩</p>			
<p>8060 Propane — or 2</p> <p>① ③ ⑧ ⑩</p>			
<p>8050 Propane — or 2</p> <p>① ③ ⑨ ⑩</p>			



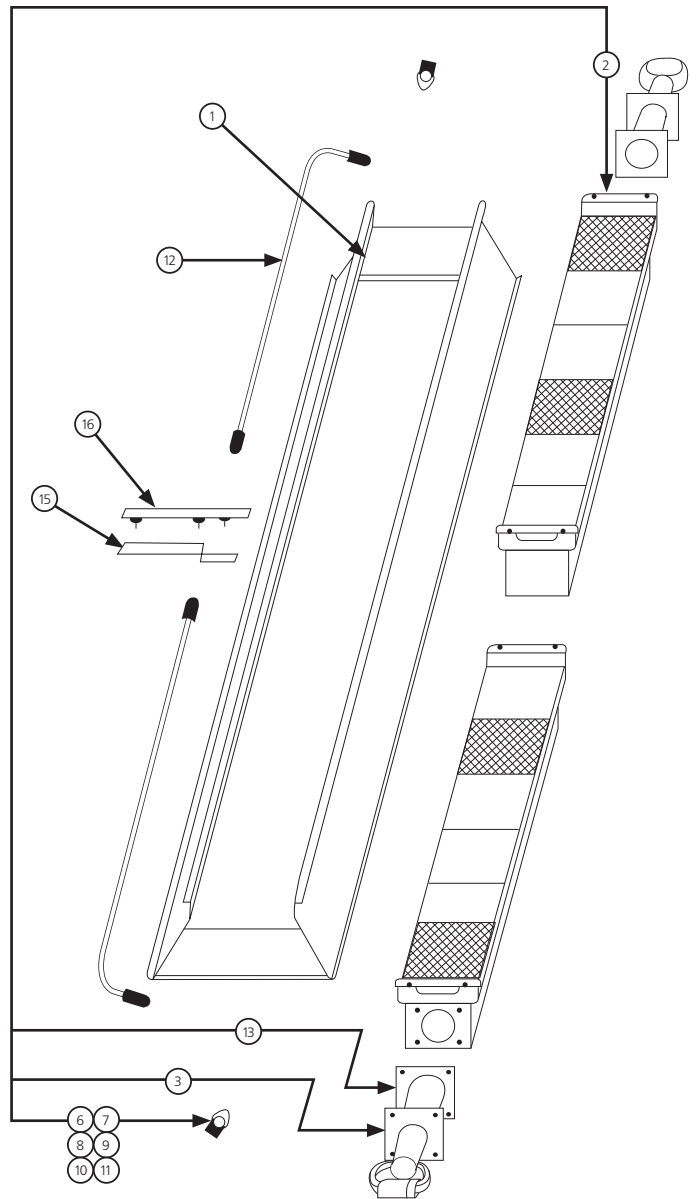
**Replacement Parts List For Heaters**  
**9000 Series Models / Less Control**

Item No.	No. Req'd.	Stock No.	Description
1	1	00444 A	Reflector Assembly
2	2	02694	Burner Assembly
3	2	03421 P	Venturi
4			
5			
6	2	05428	Orifice – Br. N.G. 9140
7	2	05429	Orifice – Br. N.G. 9120
8	2	05430	Orifice – Br. N.G. 9100
9	2	05443	Orifice – Br. L.P. 9120
10	2	05445	Orifice – Br. L.P. 9100
11	2	06396	Manifold Assembly
12	2	12366	Gasket – Venturi
13			
14	1	14639	Center Saddle Bracket
15	1	11381	Center Support Ass'y
16			
17			
<p style="text-align: center;">9140 Nat. Gas</p> <p>① — ③ — ⑥ — ⑪ — ⑫ — ⑭ — ⑮ — or ②</p>			
<p style="text-align: center;">9120 Nat. Gas</p> <p>① — ③ — ⑦ — ⑪ — ⑫ — ⑭ — ⑮ — or ②</p>			
<p style="text-align: center;">9100 Nat. Gas</p> <p>① — ③ — ⑧ — ⑪ — ⑫ — ⑭ — ⑮ — or ②</p>			
<p style="text-align: center;">9120 Propane</p> <p>① — ③ — ⑨ — ⑪ — ⑫ — ⑭ — ⑮ — or ②</p>			
<p style="text-align: center;">9100 Propane</p> <p>① — ③ — ⑩ — ⑪ — ⑫ — ⑭ — ⑮ — or ②</p>			



**Replacement Parts List For Heaters**  
**9100S Series Models / Less Control**

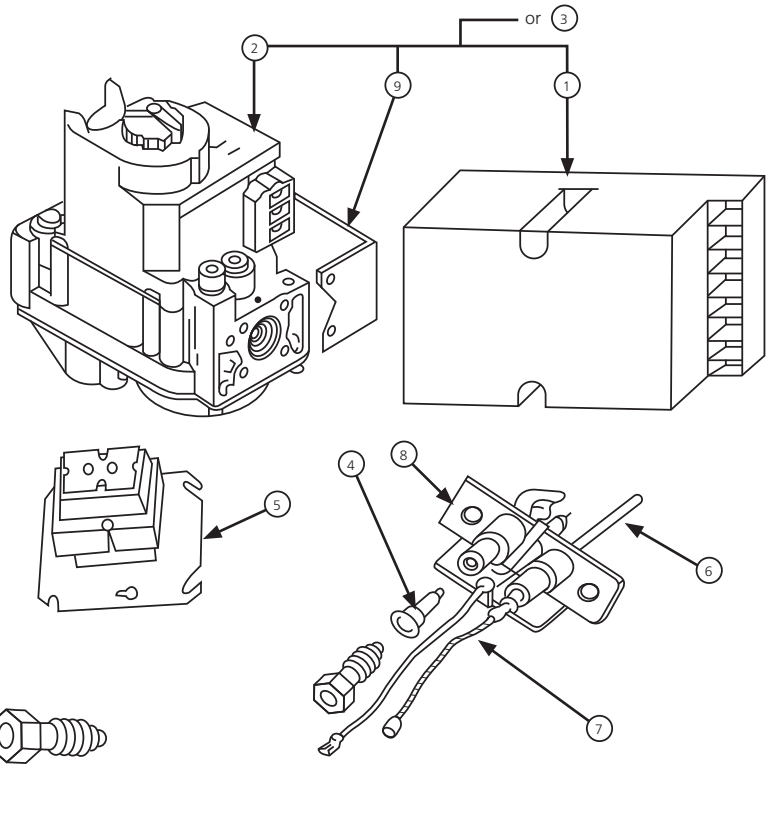
Item No.	No. Req'd.	Stock No.	Description				
1	1	00443 A	Reflector Assembly				
2	2	02508 A	Burner Assembly				
3	2	03421 P	Venturi				
4							
5							
6	2	05431	Orifice – Br. N.G. 9100S				
7	2	05432	Orifice – Br. N.G. 9090				
8	2	05437	Orifice – Br. N.G. 9080				
9	2	05446	Orifice – Br. L.P. 9100S				
10	2	05447	Orifice – Br. L.P. 9090				
11	2	05449	Orifice – Br. L.P. 9080				
12	2	06398	Manifold Assembly				
13	2	12366	Gasket – Venturi				
14							
15	1	14639	Center Saddle Bracket				
16	1	11381	Center Support Assembly				
9100S Nat. Gas							
1	3	6	12	13	15	16	or 2
9090 Nat. Gas							
1	3	7	12	13	15	16	or 2
9080 Nat. Gas							
1	3	8	12	13	15	16	or 2
9100S Propane							
1	3	9	12	13	15	16	or 2
9090 Propane							
1	3	10	12	13	15	16	or 2
9080 Propane							
1	3	11	12	13	15	16	or 2



**FOR HEAT STAR SERIES 4000, 8000**

**REPLACEMENT PARTS LIST FOR CONTROL SYSTEM SUFFIX NDSP-5**

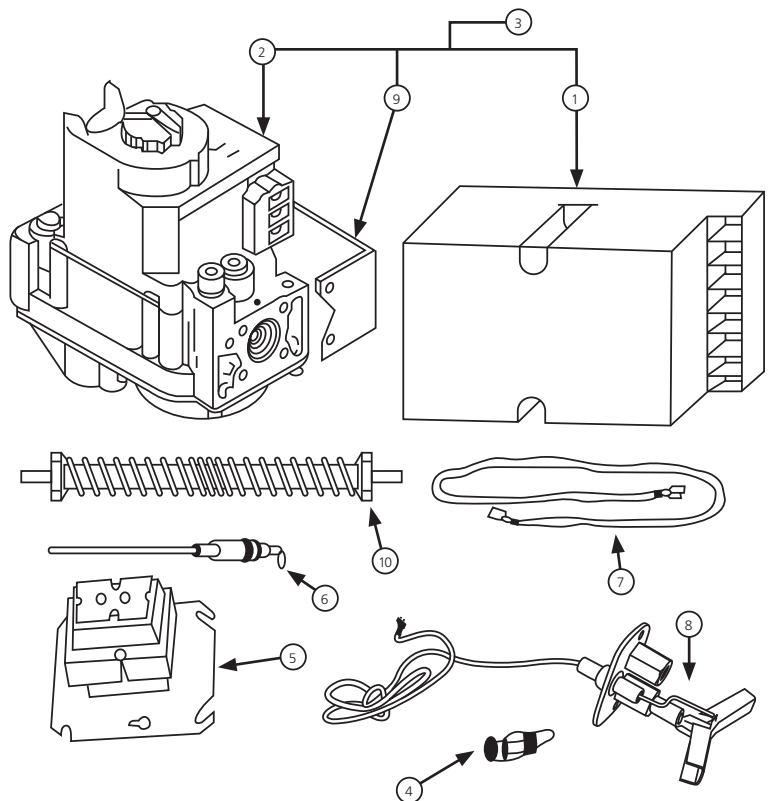
ITEM NO.	NO. REQ'D	STOCK NO.	DESCRIPTION
1	1	00028	IGNITION CONTROL #SP715A
2	1	00037	GAS VALVE DSP-5/VR8204A2001/SWC
3	1	00228	CONTROL ASSY. NDSP-5
4	1	05573	ORIFICE PILOT NG.
5	1	08353	TRANSFORMER 40VA
6	1	09374	PROBE T/C 1 5/32" LONG
7	1	09375	PROBE LEAD 4000, 8000, 9000 HTRS.
8	1	11403	PILOT BURNER ASSY.
9	1	14606	BRACKET MTG. SP715A RS.L. & HON.V.
10	1	16425	FLEX PILOT TUBE W/FITTINGS
NDSP-5			1 2 4 5 6 7 8 9 10 or 2



**FOR HEAT STAR SERIES 9000, 9000S**

**REPLACEMENT PARTS LIST FOR CONTROL SYSTEM SUFFIX NDSP-5**

ITEM NO.	NO. REQ'D	STOCK NO.	DESCRIPTION
1	1	00028	IGNITION CONTROL #SP715A
2	1	00037	GAS VALVE DSP-5/VR8204A2001/SWC
3	1	00228	CONTROL ASSY. NDSP-5
4	1	05383	ORIFICE PILOT - NG
5	1	08353	TRANSFORMER 40VA
6	1	09374	PROBE T/C 1 5/32" LONG
7	1	09375	PROBE LEAD 4000, 8000, 9000 HTRS.
8	1	11385	PILOT BURNER ASSY.
9	1	14606	BRACKET MTG. SP715A RS.L. & HON.V.
10	1	16425	FLEX PILOT TUBE W/FITTINGS
NDSP-5			1 2 4 5 6 7 8 9 10 or 2

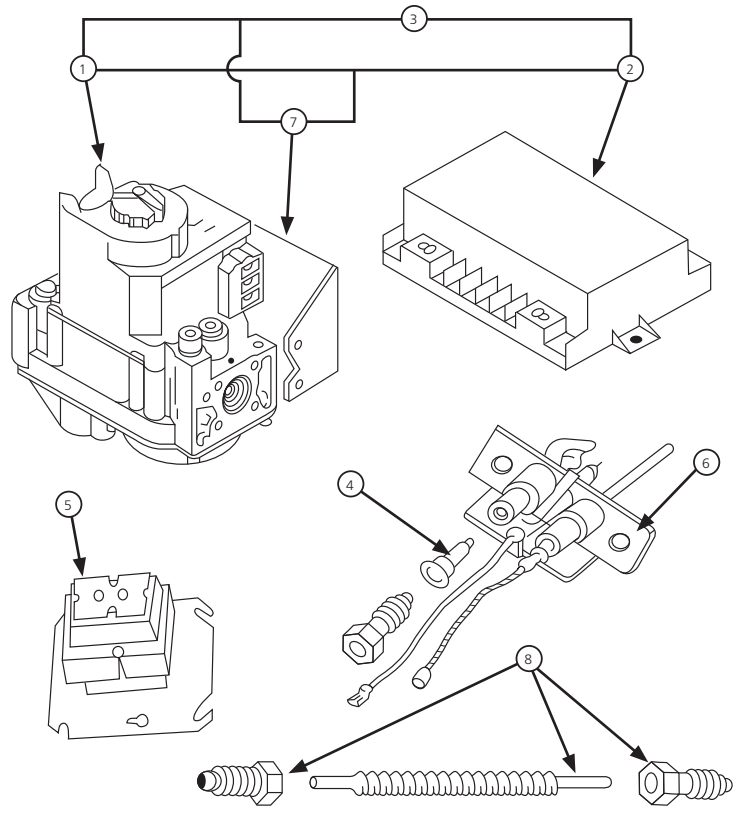


**FOR HEAT STAR SERIES 4000, 8000**

**REPLACEMENT PARTS LIST FOR CONTROL SYSTEM SUFFIX LA5**

ITEM NO.	NO. REQ'D	STOCK NO.	DESCRIPTION
1	1	00036	GAS VALVE A5/VR8204A2092/11" WC
2	1	00039	CONTROL LOGIC /A5/ #SP745NL36005
3	1	00329	CONTROL ASSY. LA5
4	1	05577	ORIFICE PILOT - LP
5	1	08353	TRANSFORMER 40VA
6	1	11407	PILOT BURNER ASSY.
7	1	14615	BRACKET MTG. A5, 745RS.L. & HON.V.
8	1	16425	FLEX PILOT TUBE W/FITTINGS

LA5 ① ② ④ ⑤ ⑥ ⑦ ⑧ or ③

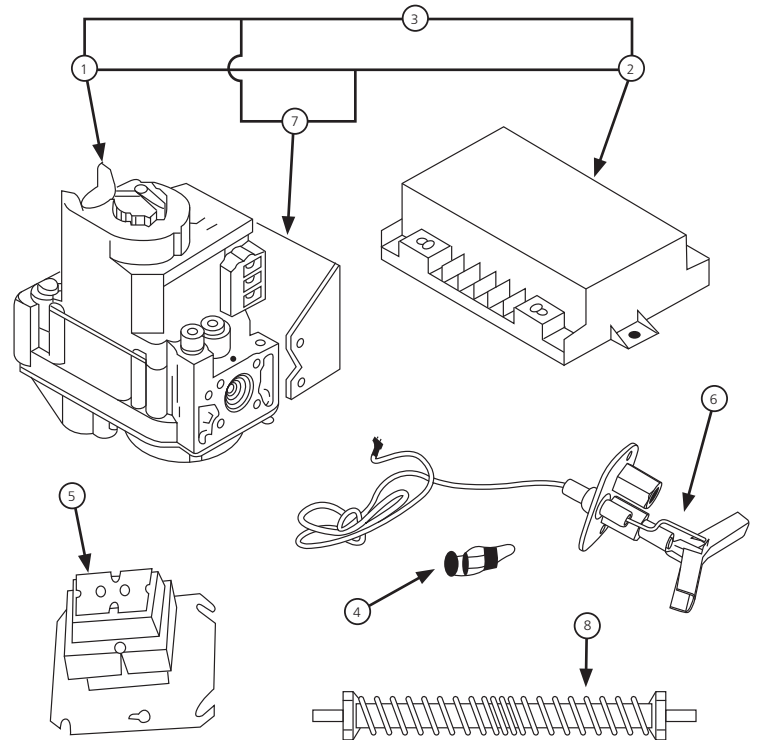


**FOR HEAT STAR SERIES 9000, 9000S**

**REPLACEMENT PARTS LIST FOR CONTROL SYSTEM SUFFIX LA5**

ITEM NO.	NO. REQ'D	STOCK NO.	DESCRIPTION
1	1	00036	GAS VALVE A5/VR8204A2092/11" WC
2	1	00039	CONTROL LOGIC /A5/ #SP745NL36005
3	1	00329	CONTROL ASSY. LA5
4	1	05384	ORIFICE PILOT - LP
5	1	08353	TRANSFORMER 40VA
6	1	11385	PILOT BURNER ASSY.
7	1	14615	BRACKET MTG. A5, 745RS.L. & HON.V.
8	1	16425	FLEX PILOT TUBE W/FITTINGS

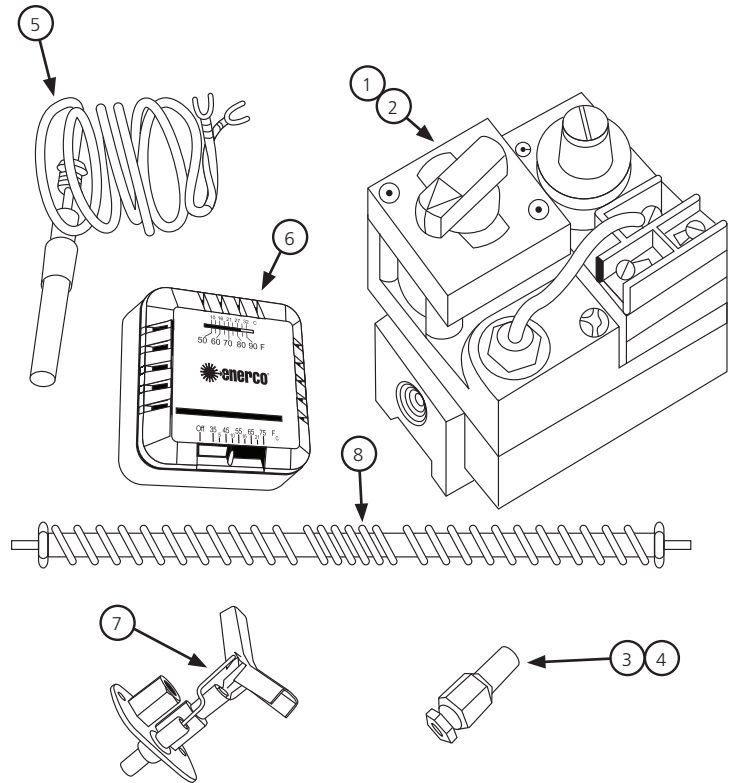
LA5 ① ② ④ ⑤ ⑥ ⑦ ⑧ or ③



**FOR HEAT STAR SERIES 9000, 9000S**

**REPLACEMENT PARTS LIST FOR CONTROL SYSTEM SUFFIX NPP, LPP**

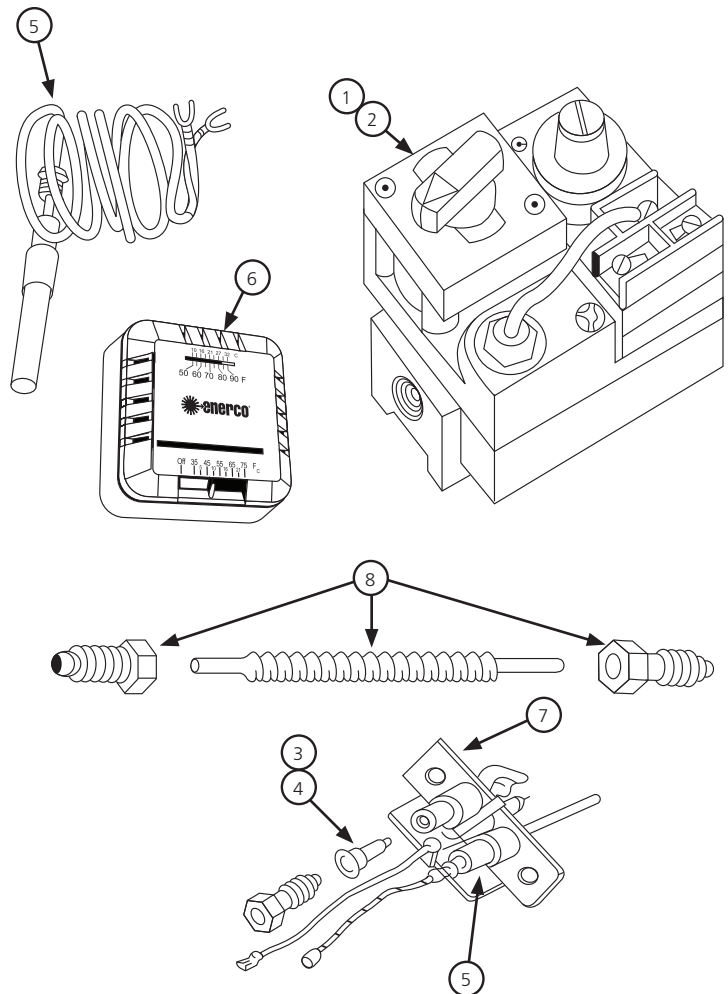
ITEM NO.	NO. REQ'D	STOCK NO.	DESCRIPTION
1	1	00024	COMB. GAS VALVE (PP) NG. 1/2x1/2 NPT
2	1	00025	COMB. GAS VALVE (PP) LP. 1/2x1/2 NPT
3	1	05384	ORIFICE PILOT LP
4	1	05383	ORIFICE PILOT NG
5	1	09360	THERMOCOUPLE PP HONEYWELL
6	1	10367	THERMOSTAT "PP" HEAT STAR
7	1	11385	PILOT BURNER-9000HTR
8	1	16425	FLEX PILOT TUBE WITH FITTINGS
NPP			(1) (4) (5) (6) (7) (8)
LPP			(2) (3) (5) (6) (7) (8)



**FOR HEAT STAR SERIES 4000, 8000**

**REPLACEMENT PARTS LIST FOR CONTROL SYSTEM SUFFIX NPP, LPP**

ITEM NO.	NO. REQ'D	STOCK NO.	DESCRIPTION
1	1	00024	COMB. GAS VALVE (PP) NG. 1/2x1/2 NPT
2	1	00025	COMB. GAS VALVE (PP) LP. 1/2x1/2 NPT
3	1	05577	ORIFICE PILOT LP
4	1	05573	ORIFICE PILOT NG
5	1	09360	THERMOCOUPLE PP HONEYWELL
6	1	10367	THERMOSTAT "PP" HEAT STAR
7	1	11405	PILOT-PP-4K, 8K HTR NG
7	1	11408	PILOT-PP-4K, 8K HTR LP
8	1	16425	FLEX PILOT TUBE WITH FITTINGS
NPP			(1) (4) (5) (6) (7) (8)
LPP			(2) (3) (5) (6) (7) (8)

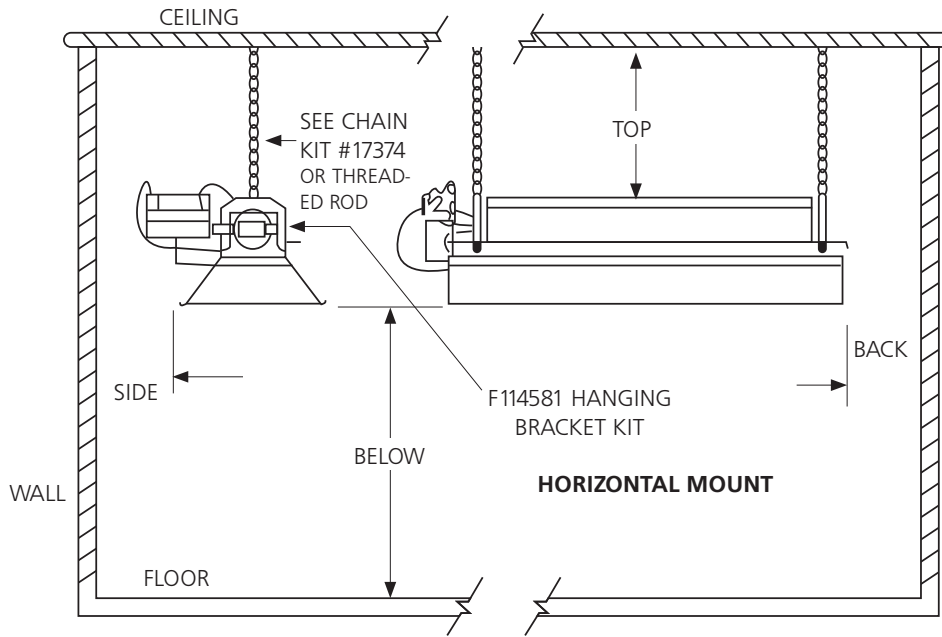


NOTE: 1 – WHEN ORDERING SPARE PARTS ALWAYS GIVE HEATER MODEL NO., STOCK NO., SERIAL NO., AND TYPE OR GAS USED.

2 – WHEN DISASSEMBLING PARTS FROM HEATER FOR REPAIR, CAREFULLY NOTE ORIENTATION OF PARTS, AND THEN REVERSE PROCEDURE WHEN ASSEMBLING.



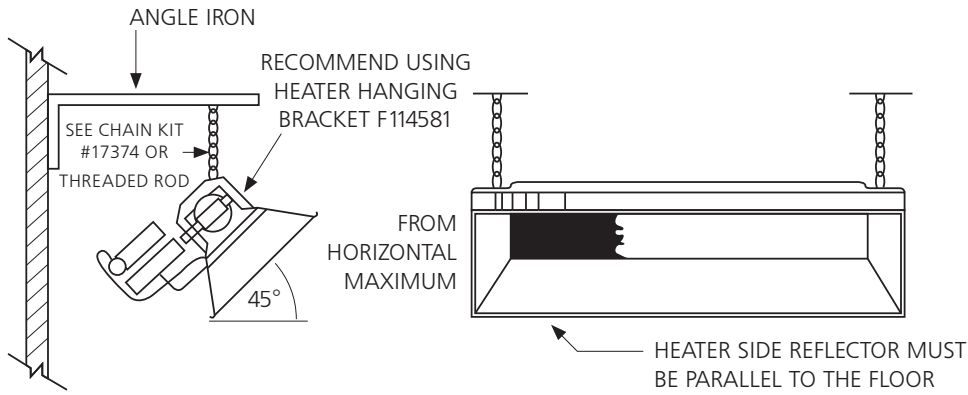
**FIGURE 4 CLEARANCES TO COMBUSTIBLES**



SEE INSTALLATION INSTRUCTIONS FOR DETAILED CLEARANCES INFORMATION

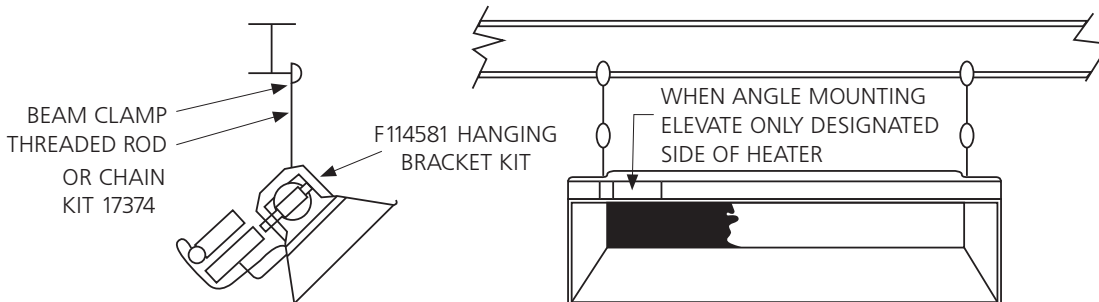
**FIGURE 5 MOUNTING**

**TYPICAL WALL MOUNT**



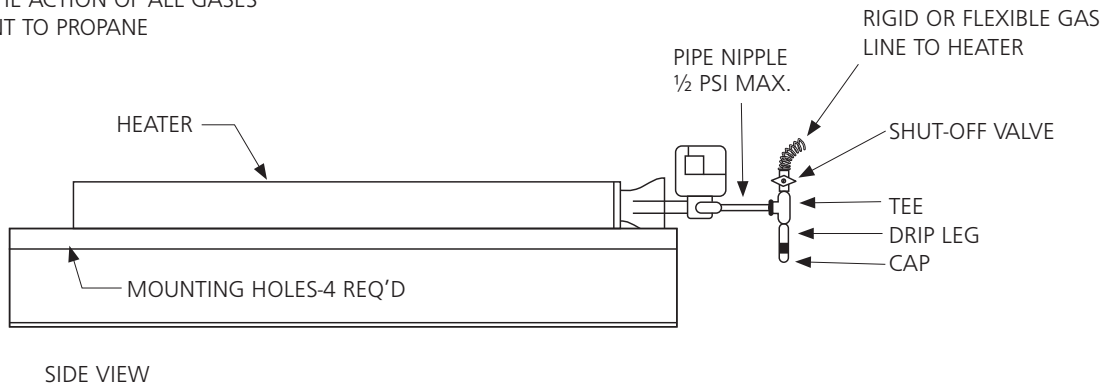
**TYPICAL BEAM MOUNT**

SUGGESTED HANGING METHOD  
MODEL: 4000, 8000, 9000, MH40



## FIGURE 6 TYPICAL LOW PRESSURE STANDARD INSTALLATION

ON THREADED PIPES USE A PIPE COMPOUND WHICH IS RESISTANT TO THE ACTION OF ALL GASES MUST BE RESISTANT TO PROPANE



LOW PRESSURE, MAIN GAS LINE

SEE FIGURE 2 FOR PROPER INLET PRESSURES

FOR HIGHER PRESSURES THAN SHOWN ABOVE  
CONTACT FACTORY FOR PROPER REGULATOR

### HIGH ALTITUDE OPERATION

1. Please contact the factory for a detailed High Altitude Conversion Kit to suit your specific need.
  - 1.1 Be prepared to answer factory questions regarding: Type of fuel for the proposed appliance conversion, gas pressure available at site, and specific altitude at site.
2. "The conversion shall be carried out by a manufacturer's authorized representative, in accordance with the requirements of the manufacturer, provincial or territorial authorities having jurisdiction and in accordance with their requirements."
3. High Altitude Conversion Kits will include high altitude rating plate with stamped data, necessary orifices or burner as required for specific need and additional installation instructions.
4. In Canada, Heater installations at High Altitudes shall comply with the applicable construction provisions of the current standard CAN1-2.17, gas fired appliances for use at high altitudes.

**THIS PAGE INTENTIONALLY  
LEFT BLANK**



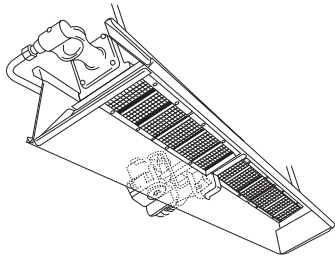
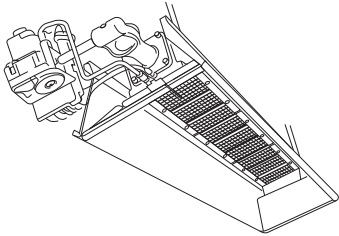
# OPERATING INSTRUCTIONS AND OWNER'S MANUAL

## HEATSTAR High-Intensity Infrared Heaters

MODELS

HS4030 HS8070 HS9100  
HS4040 HS9080 HS9120  
HS8050 HS9090 HS9140  
HS8060 HS9100S

**READ INSTRUCTIONS CAREFULLY:** Read and follow all instructions. Place instructions in a safe place for future reference. Do not allow anyone who has not read these instructions to assemble, light, adjust or operate the heater.



**WARNING:** USE ONLY MANUFACTURER'S REPLACEMENT PARTS. USE OF ANY OTHER PARTS COULD CAUSE INJURY OR DEATH. REPLACEMENT PARTS ARE ONLY AVAILABLE DIRECT FROM THE FACTORY AND MUST BE INSTALLED BY A QUALIFIED SERVICE AGENCY.

### PARTS ORDERING INFORMATION:

**PURCHASING:** Accessories may be purchased at any Mr. Heater/HeatStar local dealer or direct from the factory

### FOR INFORMATION REGARDING SERVICE

Please call Toll-Free 800-251-0001 • [www.enerco-mrheater.com](http://www.enerco-mrheater.com)

Our office hours are 8:30 AM – 5:00 PM, EST, Monday through Friday.

Email to: [techservice@enerco-mrheater.com](mailto:techservice@enerco-mrheater.com)

Please include the model number, date of purchase, and description of problem in all communication.

### LIMITED WARRANTY

The company warrants this product to be free from imperfections in material or workmanship, under normal and proper use in accordance with instructions of The Company, for a period of one year from the date of delivery to the buyer. The Company, at its option, will repair or replace products returned by the buyer to the factory, transportation prepaid within said one year period and found by the Company to have imperfections in material or workmanship.

Pro-rated 10-year warranty on the burner assembly only.

If a part is damaged or missing, call our Technical Support Department at 800-251-0001.

Address any Warranty Claims to the Service Department, Enerco Group, Inc., 4560 W. 160th St., Cleveland, Ohio 44135. Include your name, address and telephone number and include details concerning the claim. Also, supply us with the purchase date and the name and address of the dealer from whom you purchased our product.

The foregoing is the full extent of the responsibility of the Company. There are no other warranties, express or implied. Specifically there is no warranty of fitness for a particular purpose and there is no warranty of merchantability. In no event shall the Company be liable for delay caused by imperfections, for consequential damages, or for any charges of the expense of any nature incurred without its written consent. The cost of repair or replacement shall be the exclusive remedy for any breach of warranty. There is no warranty against infringement of the like and no implied warranty arising from course of dealing or usage of trade. This warranty will not apply to any product which has been repaired or altered outside of the factory in any respect which in our judgment affects its condition or operation.

Some states do not allow the exclusion or limitation of incidental or consequential damages, so the above limitation or exclusion may not apply to you. This Warranty gives you specific legal rights, and you may have other rights which vary from state to state.

Enerco Group, Inc., reserves the right to make changes at any time, without notice or obligation, in colors, specifications, accessories, materials and models.



ENERCO GROUP, INC., 4560 W. 160TH ST., CLEVELAND, OHIO 44135 • 216-881-5500  
Mr. Heater is a registered trademark of Enerco Group, Inc.  
© 2008, Enerco Group, Inc. All rights reserved

ANSI Z83.19b-2008/CSA 2.35-2007

# GUIDE D'UTILISATION ET INSTRUCTIONS DE FONCTIONNEMENT

## Appareils de chauffage haute intensité HEATSTAR

**LISEZ SOIGNEUSEMENT LES INSTRUCTIONS.** Lisez et observez toutes les instructions. Conservez les instructions pour vous y référer ultérieurement. Intéressez à quiconque n'ayant pas lu les présentes instructions d'assembler, d'allumer, de régler ou de faire fonctionner cet appareil de chauffage.

HS4030 HS8070 HS9100

HS4040 HS9080 HS9120

HS8050 HS9090 HS9140

HS8060 HS9100S

MODÈLES

**AVERTISSEMENT :** N'UTILISEZ QUE LES PIÈCES DE REMPLACEMENT DU FABRICANT. L'UTILISATION D'AUTRES PIÈCES RISQUE DE CAUSER DES BLESSURES ET LA MORT. LES PIÈCES DE REMPLACEMENT NE SONT OFFERTES QUE PAR LE FABRICANT ET DOIVENT ÊTRE INSTALLÉES PAR UNE ENTREPRISE SPÉCIALISÉE.

### INFORMATIONS SUR LA COMMANDE DE PIÈCES :

HeatStar ou directement du fabricant  
**ACHAT :** on peut se procurer des accessoires auprès de tous les détaillants locaux Mr. Heater/

### POUR OBTENIR DES INFORMATIONS SUR LE SERVICE

Appeliez sans frais au 1 800 251-0001 • [www.enerco-mrheater.com](http://www.enerco-mrheater.com)  
 Nos heures d'ouverture sont de 8 h 30 à 17 h HE, du lundi au vendredi.  
 Adressez vos courriels à : [techservice@enerco-mrheater.com](mailto:techservice@enerco-mrheater.com)  
 Veuillez indiquer le numéro du modèle, la date d'achat et la description du problème dans toutes vos communications avec nous.

### GARANTIE LIMITÉE

L'entreprise garantit ce produit contre tout défaut de matériel ou de main-d'œuvre, dans des conditions d'utilisation normales et adéquates, conformément aux instructions de l'entreprise, pour une période de un an à compter de la date de livraison à l'acheteur. L'entreprise réparera ou remplacera, à sa discrétion, les produits retournés port payé par l'acheteur au fabricant dans la période de un an et jugés par l'entreprise comme présentant des défauts de matériel ou de main-d'œuvre.

Garantie au prorata de 10 ans sur le brûleur seulement.

Si une pièce est endommagée ou manquante, téléphonez à notre service de soutien technique au 1 800 251-0001.

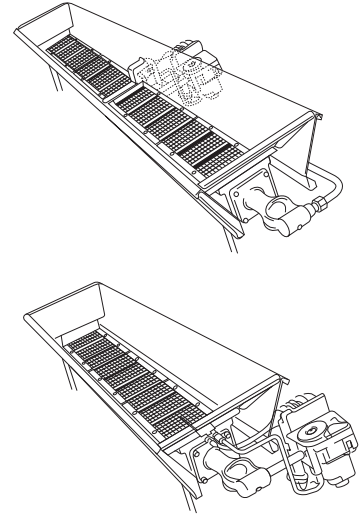
Adressez toute réclamation relative à la garantie à Service Department, Enerco Group, Inc., 4560 W. 160th St., Cleveland, Ohio 44135 États-Unis. Indiquez vos nom, adresse et numéro de téléphone ainsi que les détails de la réclamation. Indiquez-nous également la date d'achat et le nom et l'adresse du détaillant auprès duquel vous avez acheté le produit.

Ce qui est énoncé ci-dessus constitue la responsabilité totale de l'entreprise. Il n'existe aucune autre garantie, expresse ou tacite. Plus précisément, il n'y a aucune garantie concernant l'adéquation à un usage particulier ni aucune garantie concernant la qualité marchande.

En aucun cas l'entreprise ne sera tenue responsable des retards causés par des défauts, ni des dommages indirects, ni des dépenses encourues sans son consentement écrit, quelle que soit leur nature. Le coût de la réparation ou du remplacement sera le seul recours possible en cas de violation de garantie. Il n'y a aucune garantie contre une transgression de ce genre ni aucune garantie tacite découlant des usages du commerce ou de la façon habituelle d'échanger. La présente garantie ne s'applique à aucun produit qui a été réparé ou modifié par d'autres que le fabricant si cela influe de quelque façon que ce soit sur l'état de l'appareil ou son fonctionnement, selon notre jugement.

Certains États ou provinces ne permettent pas d'exclure ou de limiter les dommages indirects ou subéquents. Par conséquent, les limitations ou exclusions ci-dessus mentionnées ne vous concernent peut-être pas. La présente garantie vous accorde des droits juridiques précis, mais vous pourriez avoir d'autres droits qui varient selon la province ou l'état.

Enerco Group Inc. se réserve le droit d'effectuer des modifications en tout temps, sans préavis ni obligation, aux couleurs, aux spécifications, aux accessoires, aux matériaux et aux modèles.

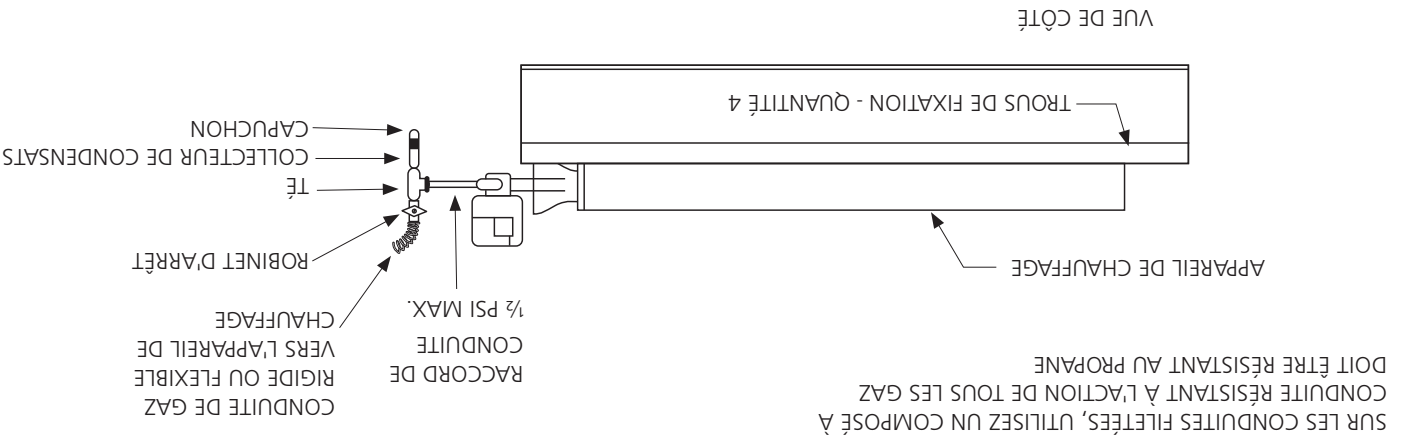


ENERCO GROUP, INC., 4560 W. 160TH ST., CLEVELAND, OHIO 44135 USA • (216) 881-5500  
 Mr. Heater est une marque de commerce déposée d'Enerco Group Inc.  
 © 2008, Enerco Group, Inc. Tous droits réservés

ANSI Z83.19B-2008/CSA 2.35-2007

**CETTE PAGE EST LAISSÉE  
BLANCHE INTENTIONNELLEMENT**

**FIGURE 6 INSTALLATION STANDARD BASSE PRESSION**



CONDUITE DE GAZ PRINCIPALE, BASSE PRESSION

CONSULTEZ LA FIGURE 2 POUR CONNAÎTRE LES PRESSIONS D'ENTRÉE ADÉQUATES EN CAS DE PRESSION SUPÉRIEURE À LA VALEUR INDICUÉE CI-DESSUS, COMMUNIQUÉES AVEC LE FABRICANT POUR OBTENIR LE RÉGULATEUR APPROPRIÉ

**UTILISATION À HAUTE ALTITUDE**

1. Veuillez communiquer avec le fabricant pour obtenir des renseignements détaillés sur l'ensemble de conversion haute altitude qui convient précisément à vos besoins.
- 1.1 Soyez prêt à répondre aux questions du fabricant concernant le type de combustible utilisé avec l'appareil converti, la pression de gaz dont on dispose sur les lieux et l'altitude des lieux.
2. « La conversion doit être effectuée par un représentant autorisé du fabricant, conformément aux exigences du fabricant ainsi que des autorités provinciales ou territoriales ayant juridiction. »
3. Les ensembles de conversion haute altitude comprennent une plaque signalétique haute altitude portant des données estampillées, les ajustages ou le brûleur nécessaires selon les besoins, ainsi que des instructions d'installation supplémentaires.
4. Au Canada, les installations d'appareils de chauffage à haute altitude doivent être conformes aux dispositions pertinentes concernant la construction qui sont données par la version en vigueur de la norme CAN1-2.17 sur les appareils à gaz pour utilisation à haute altitude.

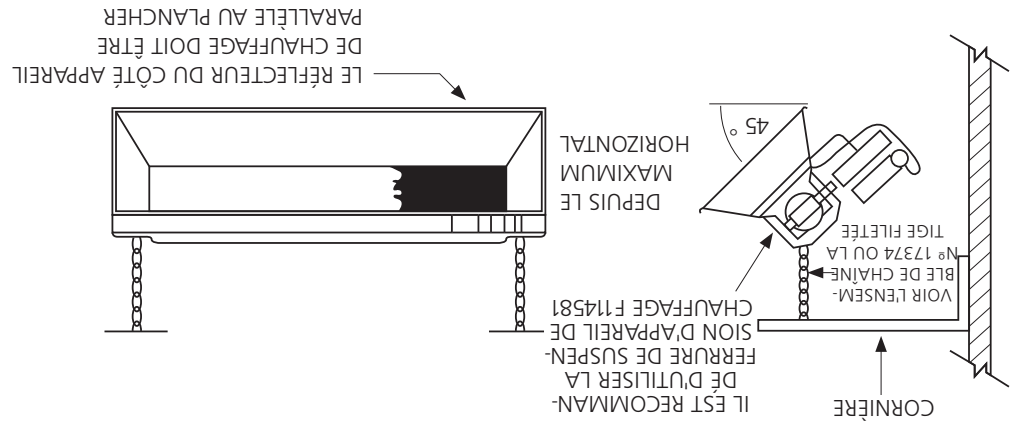
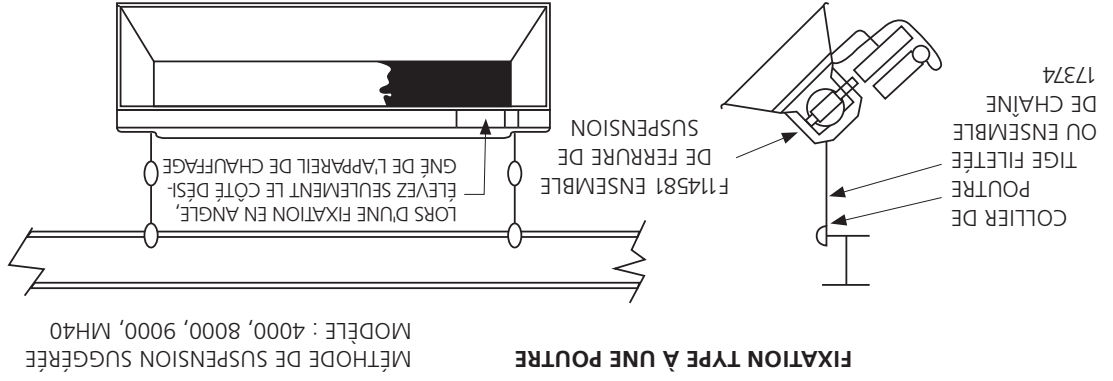


FIGURE 5 FIXATION MURALE TYPE

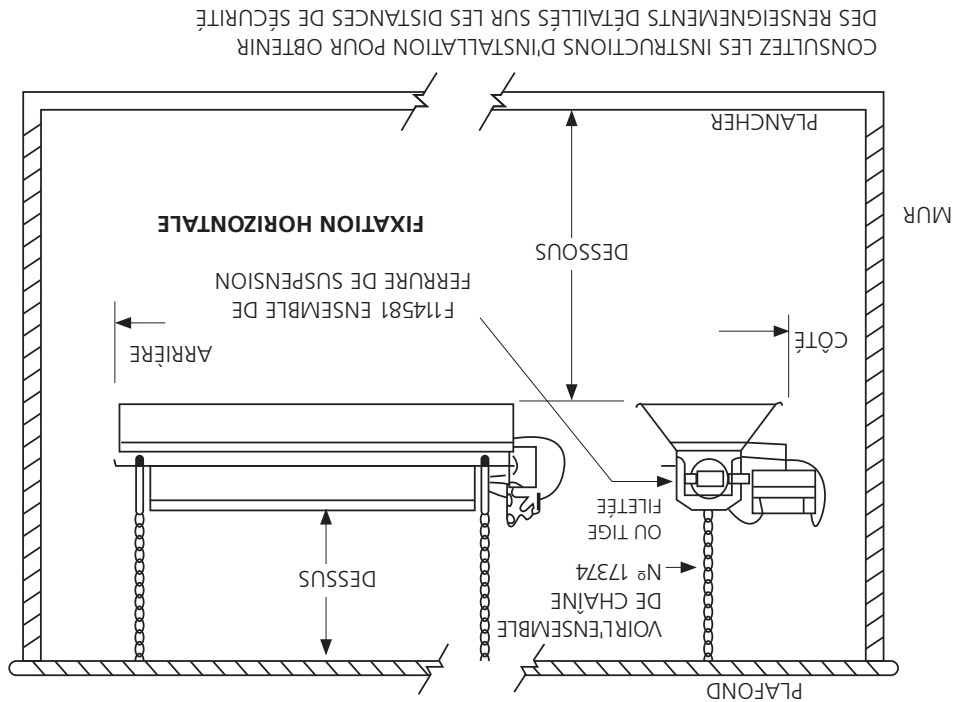


FIGURE 4 DISTANCES DES MATÉRIUX COMBUSTIBLES





N° D'ARTICLE	QUANTITÉ	NUMÉRO DE RÉFÉRENCE	DESCRIPTION
1	1	00028	COMMANDE D'ALLUMAGE #SP715A
2	1	00037	ROBINET DE GAZ DSP-5/VR8204A2001/SWC
3	1	00228	COMMANDE NDSP-5
4	1	05383	AJUTAGE VEILLEUSE GAZ NATUREL
5	1	08353	TRANSFORMATEUR 40 VA
6	1	09374	SONDE THERMOCOUPLE DE 1 5/32 PO DE LONGUEUR
7	1	09375	CONDUCTEUR DE SONDE POUR APPAREILS DE CHAUFFAGE 4000, 8000 ET 9000
8	1	11385	BRÛLEUR VEILLEUSE
9	1	14606	FERRURE DE MONTAGE SP715A RS.L. ET HON.V.
10	1	16425	TUBE FLEXIBLE DE VEILLEUSE AVEC RACCORDS

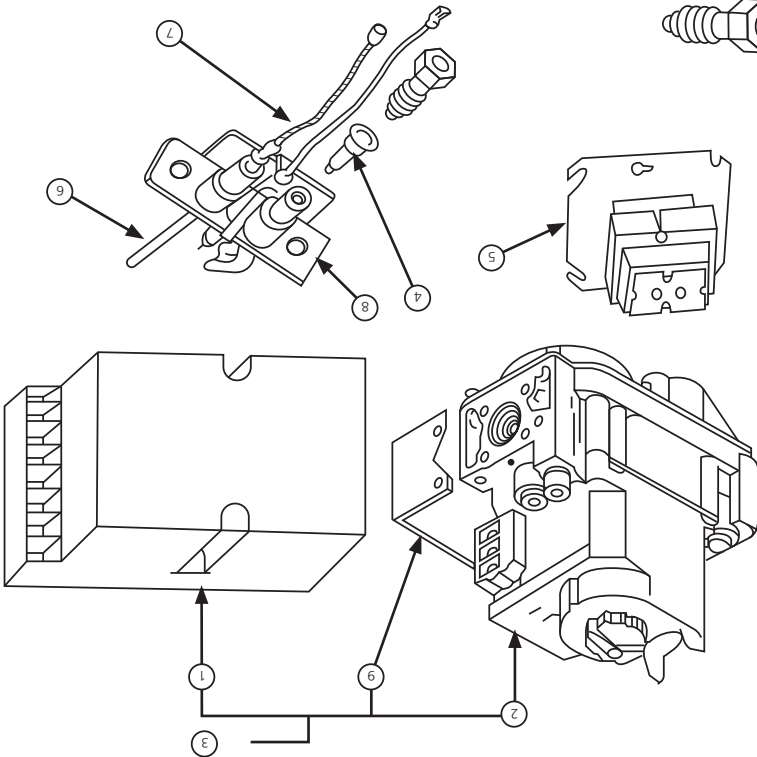
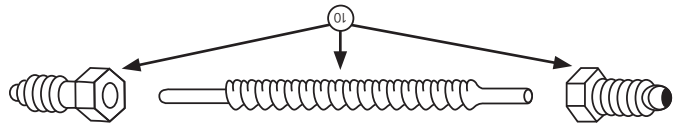
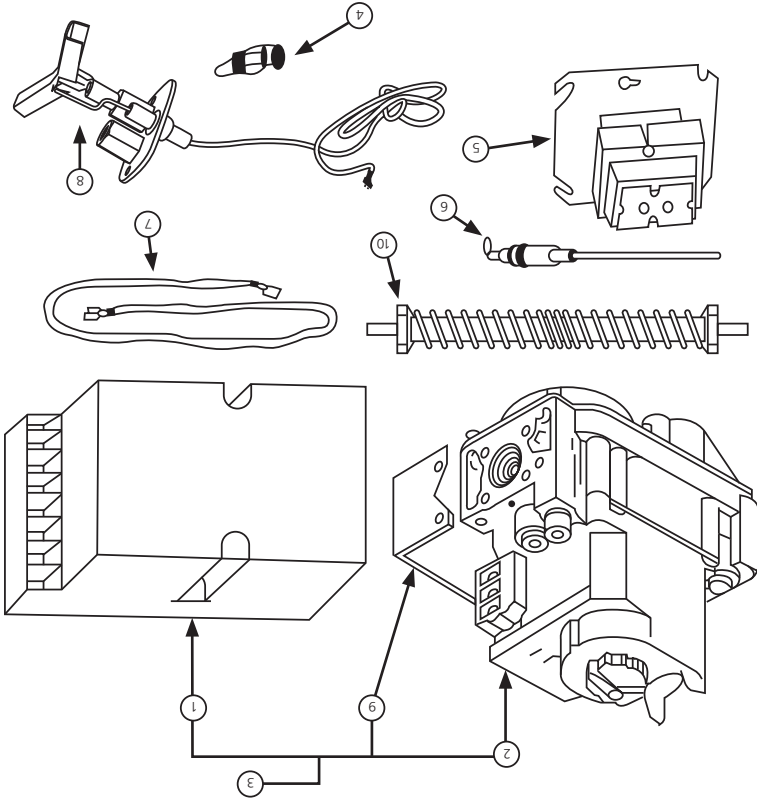
NDSP-5 ou 2

**APPAREILS DE CHAUFFAGE HEAT STAR DE SÉRIES 9000 ET 9000S**  
**LISTE DE PIÈCES DE RECHANGE POUR LE SYSTÈME**  
**DE COMMANDE À SUFFIXE NDSP-5**

N° D'ARTICLE	QUANTITÉ	NUMÉRO DE RÉFÉRENCE	DESCRIPTION
1	1	00028	COMMANDE D'ALLUMAGE #SP715A
2	1	00037	ROBINET DE GAZ DSP-5/VR8204A2001/SWC
3	1	00228	COMMANDE NDSP-5
4	1	05573	AJUTAGE VEILLEUSE GAZ NATUREL
5	1	08353	TRANSFORMATEUR 40 VA
6	1	09374	SONDE THERMOCOUPLE DE 1 5/32 PO DE LONGUEUR
7	1	09375	CONDUCTEUR DE SONDE POUR APPAREILS DE CHAUFFAGE 4000, 8000 ET 9000
8	1	11403	BRÛLEUR VEILLEUSE
9	1	14606	FERRURE DE MONTAGE SP715A RS.L. ET HON.V.
10	1	16425	TUBE FLEXIBLE DE VEILLEUSE AVEC RACCORDS

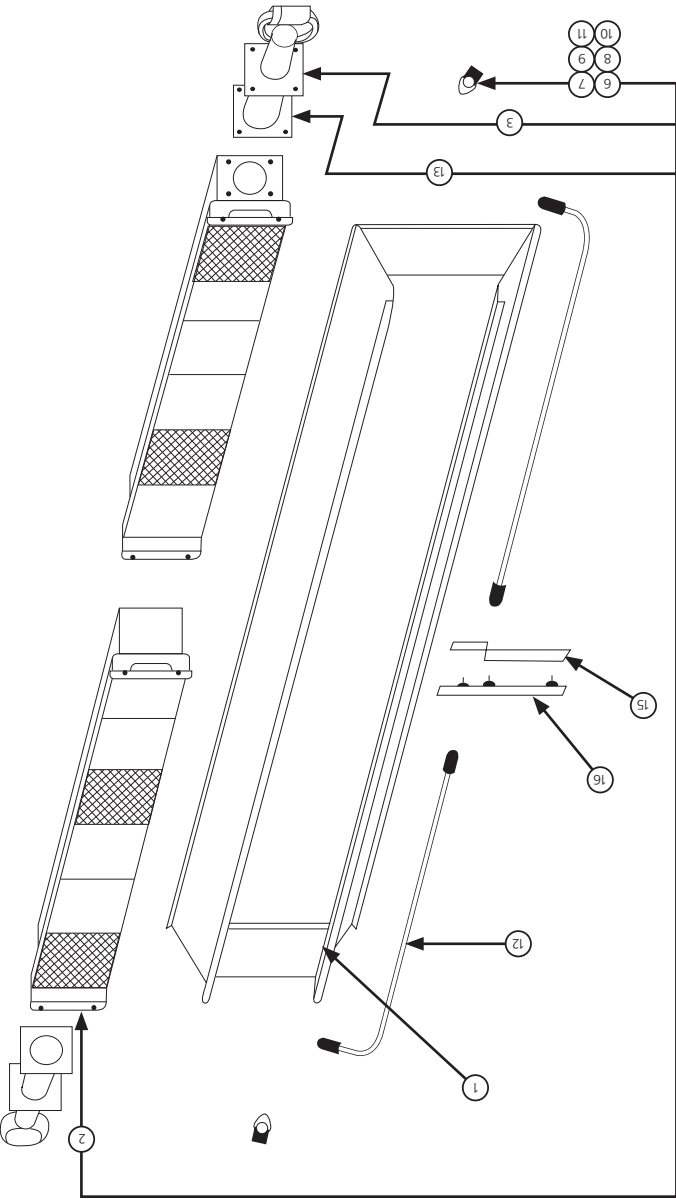
NDSP-5 ou 2

**APPAREILS DE CHAUFFAGE HEAT STAR DE SÉRIES 4000 ET 8000**  
**LISTE DE PIÈCES DE RECHANGE POUR LE SYSTÈME**  
**DE COMMANDE À SUFFIXE NDSP-5**



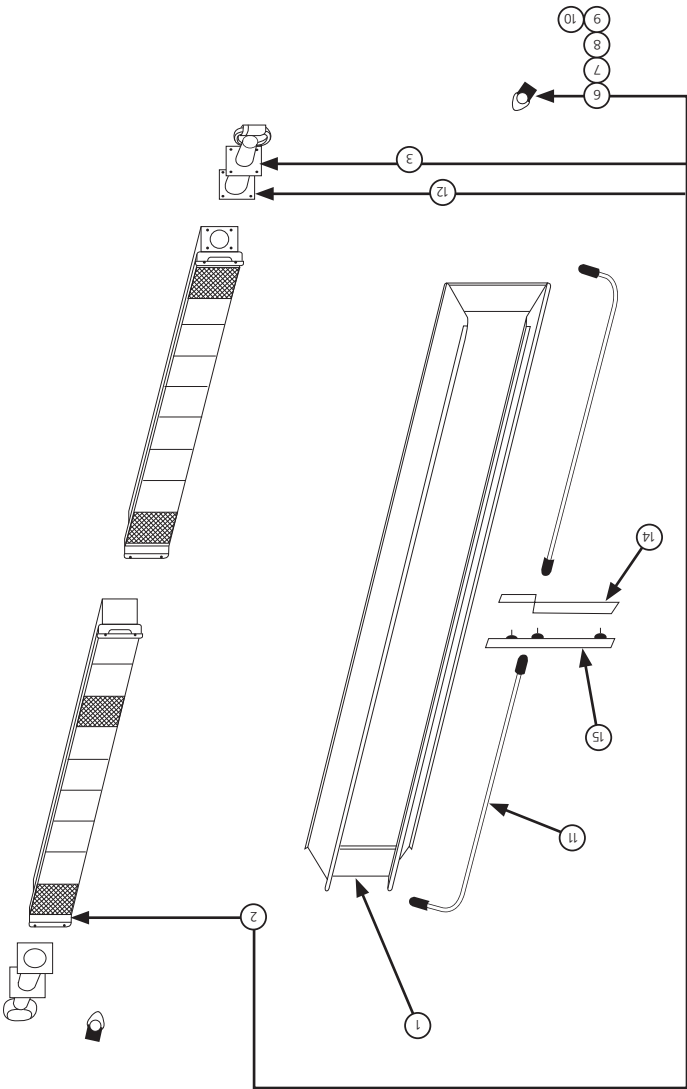
Liste de pièces de rechange pour les appareils de chauffage des modèles de série 91005 / moins la commande

N° d'article	Quantité nécessaire	N° de référence	Description
1	1	00443 A	Réflecteur
2	2	02508 A	Brûleur
3	2	03421 P	Venturi
4			
5			
6	2	05431	Ajutage - brûleur gaz naturel 91005
7	2	05432	Ajutage - brûleur gaz naturel 9090
8	2	05437	Ajutage - brûleur gaz naturel 9080
9	2	05446	Ajutage - brûleur L.P. 91005
10	2	05447	Ajutage - brûleur L.P. 9090
11	2	05449	Ajutage - brûleur L.P. 9080
12	2	06398	Collecteur
13	2	12366	Joint d'étanchéité - venturi
14			
15	1	14639	Ferrure centrale
16	1	11381	Support central
1	1		91005 gaz naturel
3	1		ou 2
6			
12			
13			
15			
16			
1	1		9090 gaz naturel
3	1		ou 2
7			
12			
13			
15			
16			
1	1		9080 gaz naturel
3	1		ou 2
8			
12			
13			
15			
16			
1	1		91005 propane
3	1		ou 2
9			
12			
13			
15			
16			
1	1		9090 propane
3	1		ou 2
10			
12			
13			
15			
16			
1	1		9080 propane
3	1		ou 2



Liste de pièces de rechange pour les appareils de chauffage des modèles de rechange pour les commandes

N° d'article	Quantité nécessaire	N° de référence	Description
1	1	00444 A	Réflecteur
2	2	02694	Brûleur
3	2	03421 P	Venturi
4			
5			
6	2	05428	Ajutage – brûleur gaz naturel 9140
7	2	05429	Ajutage – brûleur gaz naturel 9120
8	2	05430	Ajutage – brûleur gaz naturel 9100
9	2	05443	Ajutage – brûleur L.P. 9120
10	2	05445	Ajutage – brûleur L.P. 9100
11	2	06396	Collecteur
12	2	12366	Joint d'étanchéité – venturi
13			
14	1	14639	Ferrure centrale
15	1	11381	Support central
16			
17			
9140 gaz naturel			
1	1	3	6
9120 gaz naturel			
1	1	3	7
9100 gaz naturel			
1	1	3	8
9120 propane			
1	1	3	9
9100 propane			
1	1	3	10
9100 propane			
1	1	3	15
ou 2			



**Liste de pièces de rechange pour les appareils de chauffage des modèles de série 8000 / moins la commande**

N° d'article	Quantité nécessaire	N° de référence	Description																									
1	1	00442 A	Réflecteur																									
2	1	02524 A	Brûleur																									
3	1	03421 P	Venturi																									
4																												
5	1	05428	Ajutage - brûleur gaz naturel 8070																									
6	1	05429	Ajutage - brûleur gaz naturel 8060																									
7	1	05430	Ajutage - brûleur gaz naturel 8050																									
8	1	05443	Ajutage - brûleur L.P. 8060																									
9	1	05445	Ajutage - brûleur L.P. 8050																									
10	1	12366	Joint d'étanchéité - venturi																									
11																												
12																												
<table border="1" style="width:100%; border-collapse: collapse;"> <tr> <td style="width:15%; text-align: center;">1</td> <td style="width:15%; text-align: center;">3</td> <td style="width:15%; text-align: center;">5</td> <td style="width:15%; text-align: center;">10</td> <td style="width:40%; text-align: center;">8070 gaz naturel ou 2</td> </tr> <tr> <td style="text-align: center;">1</td> <td style="text-align: center;">3</td> <td style="text-align: center;">6</td> <td style="text-align: center;">10</td> <td style="text-align: center;">8060 gaz naturel ou 2</td> </tr> <tr> <td style="text-align: center;">1</td> <td style="text-align: center;">3</td> <td style="text-align: center;">7</td> <td style="text-align: center;">10</td> <td style="text-align: center;">8050 gaz naturel ou 2</td> </tr> <tr> <td style="text-align: center;">1</td> <td style="text-align: center;">3</td> <td style="text-align: center;">8</td> <td style="text-align: center;">10</td> <td style="text-align: center;">8060 propane ou 2</td> </tr> <tr> <td style="text-align: center;">1</td> <td style="text-align: center;">3</td> <td style="text-align: center;">9</td> <td style="text-align: center;">10</td> <td style="text-align: center;">8050 propane ou 2</td> </tr> </table>				1	3	5	10	8070 gaz naturel ou 2	1	3	6	10	8060 gaz naturel ou 2	1	3	7	10	8050 gaz naturel ou 2	1	3	8	10	8060 propane ou 2	1	3	9	10	8050 propane ou 2
1	3	5	10	8070 gaz naturel ou 2																								
1	3	6	10	8060 gaz naturel ou 2																								
1	3	7	10	8050 gaz naturel ou 2																								
1	3	8	10	8060 propane ou 2																								
1	3	9	10	8050 propane ou 2																								

**Liste de pièces de rechange pour les appareils de chauffage des modèles de série 4000 / moins la commande**

N° d'article	Quantité nécessaire	N° de référence	Description																				
1	1	00435 A	Réflecteur																				
2	1	02523 A	Brûleur																				
3	1	03397 P	Venturi																				
4																							
5	1	05437	Ajutage - brûleur gaz naturel 4040																				
6	1	05443	Ajutage - brûleur gaz naturel 4030																				
7	1	05449	Ajutage - brûleur L.P. 4040																				
8	1	05452	Ajutage - brûleur L.P. 4030																				
9	1	12366	Joint d'étanchéité - venturi																				
10																							
11																							
<table border="1" style="width:100%; border-collapse: collapse;"> <tr> <td style="width:15%; text-align: center;">1</td> <td style="width:15%; text-align: center;">3</td> <td style="width:15%; text-align: center;">5</td> <td style="width:15%; text-align: center;">9</td> <td style="width:40%; text-align: center;">4040 gaz naturel ou 2</td> </tr> <tr> <td style="text-align: center;">1</td> <td style="text-align: center;">3</td> <td style="text-align: center;">6</td> <td style="text-align: center;">9</td> <td style="text-align: center;">4040 gaz naturel ou 2</td> </tr> <tr> <td style="text-align: center;">1</td> <td style="text-align: center;">3</td> <td style="text-align: center;">7</td> <td style="text-align: center;">9</td> <td style="text-align: center;">4040 propane ou 2</td> </tr> <tr> <td style="text-align: center;">1</td> <td style="text-align: center;">3</td> <td style="text-align: center;">8</td> <td style="text-align: center;">9</td> <td style="text-align: center;">4040 propane ou 2</td> </tr> </table>				1	3	5	9	4040 gaz naturel ou 2	1	3	6	9	4040 gaz naturel ou 2	1	3	7	9	4040 propane ou 2	1	3	8	9	4040 propane ou 2
1	3	5	9	4040 gaz naturel ou 2																			
1	3	6	9	4040 gaz naturel ou 2																			
1	3	7	9	4040 propane ou 2																			
1	3	8	9	4040 propane ou 2																			

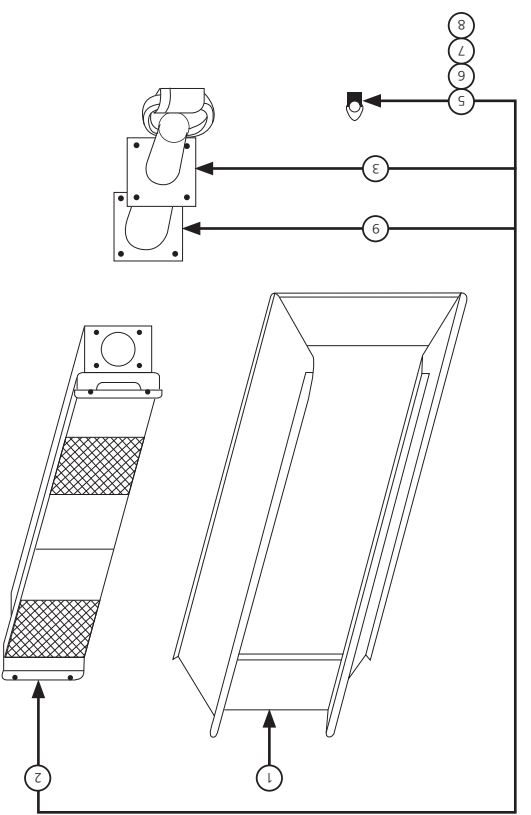
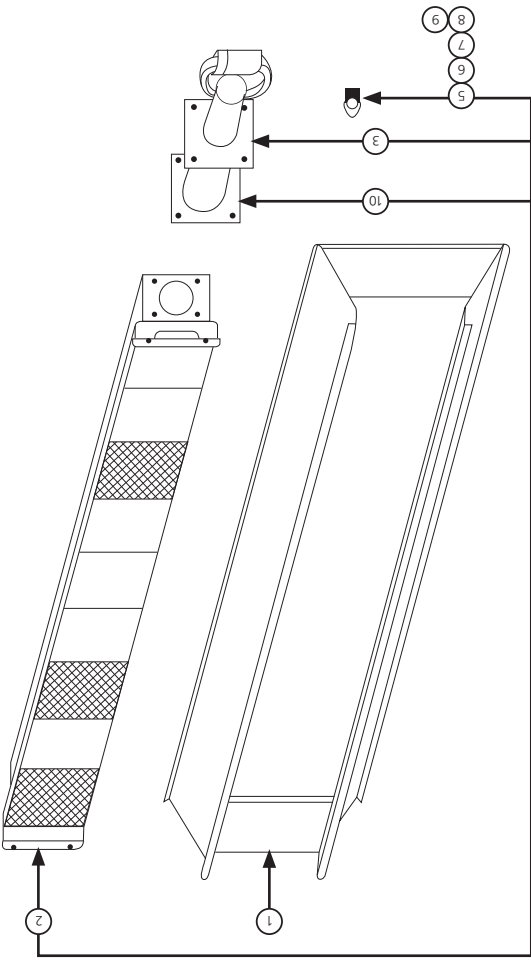


DIAGRAMME DE RACCORDEMENT NDSP-5 RÉF. A2983-1

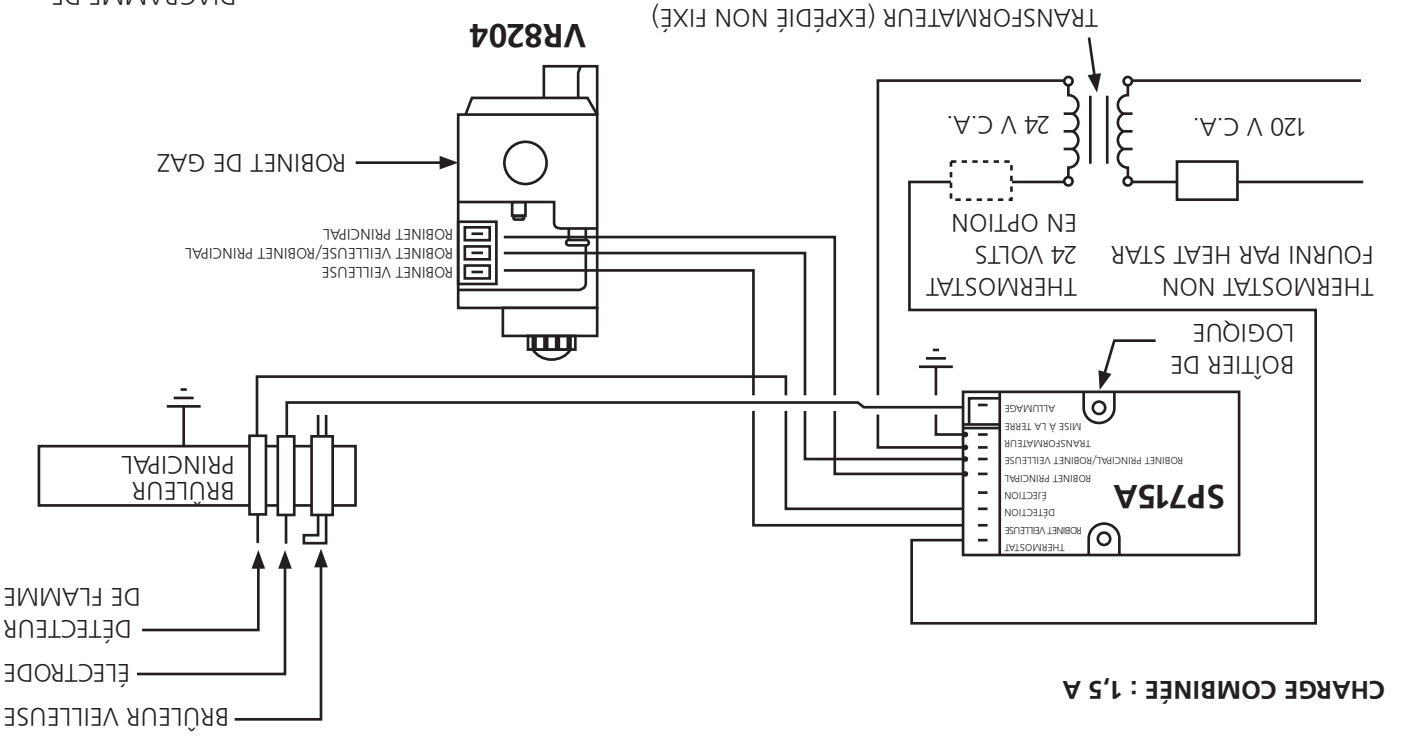
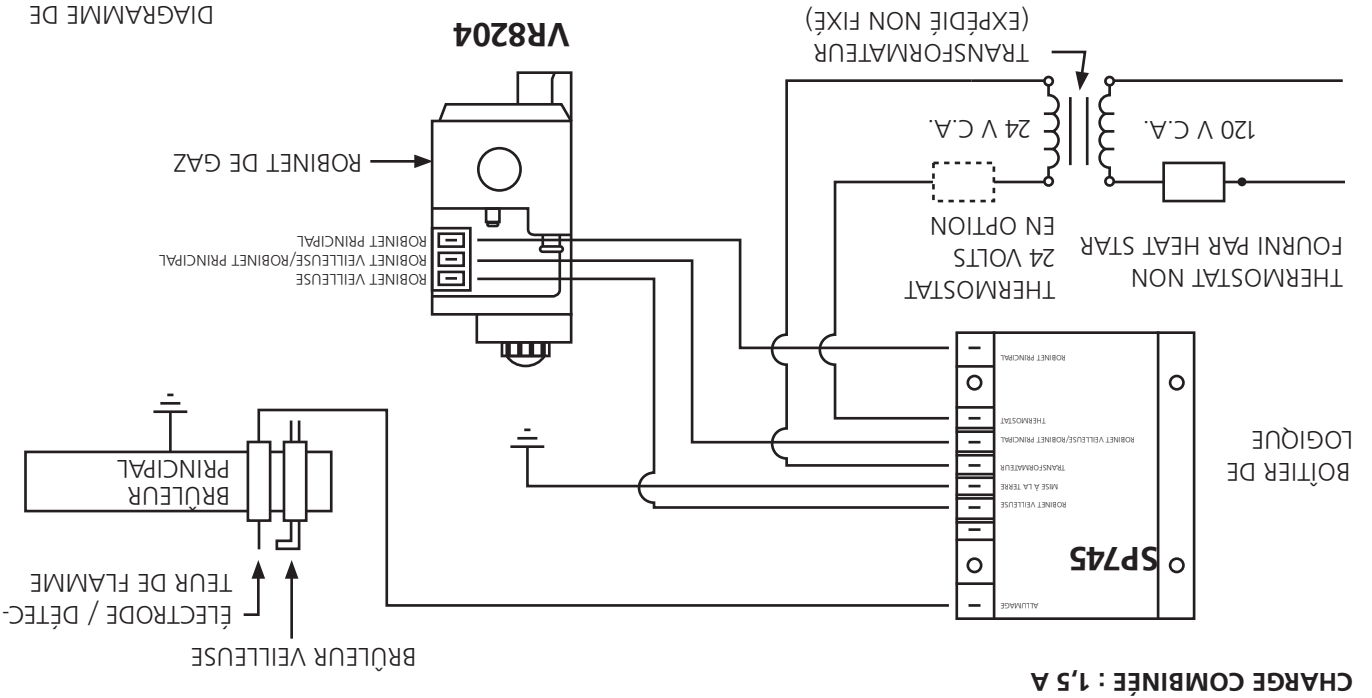
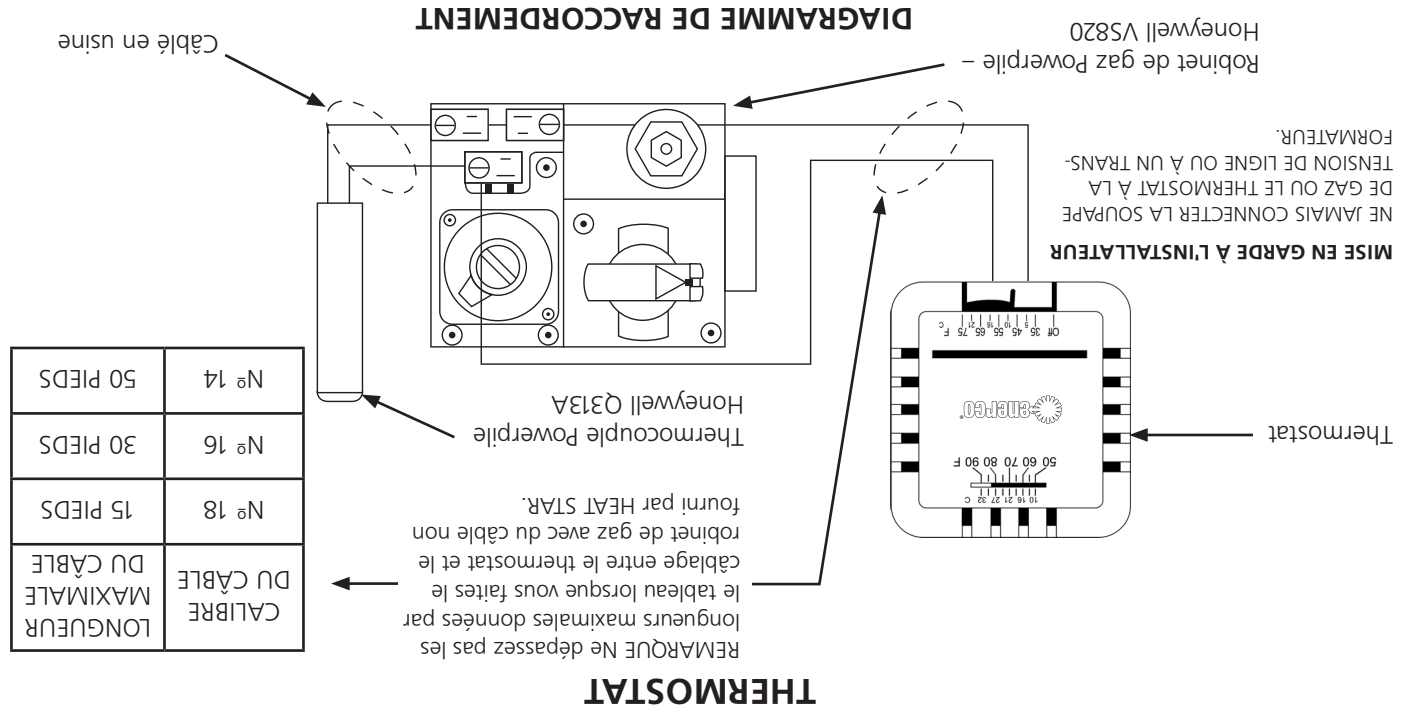


DIAGRAMME DE RACCORDEMENT AS RÉF. B2984-1





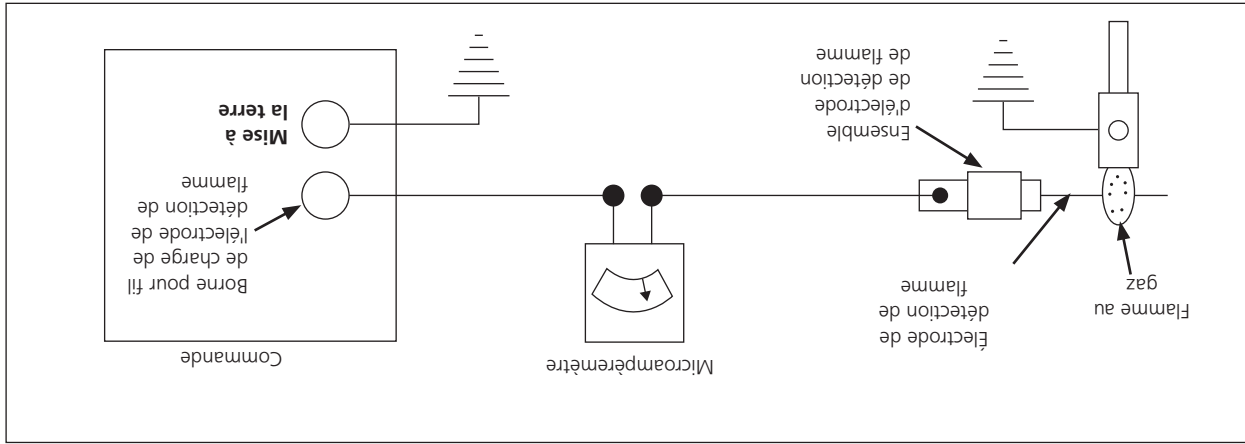
1. Lisez toute la fiche de données de contrôle fournie avec l'appareil de chauffage.
2. Vérifiez que l'électrode de détection de flamme ne touche pas des pièces de l'appareil de chauffage. L'électrode de détection de flamme ne doit pas entrer en contact avec l'appareil de chauffage. Tout contact avec l'appareil de chauffage provoquera un court-circuit de l'électrode de détection de flamme.
3. De la porcelaine craquée sur l'électrode de détection de flamme provoquera un court-circuit du détecteur. Remplacez l'électrode de détection de flamme.

**REMARQUE :**

Il n'est pas toujours possible de déterminer le bon rapport entre l'électrode de détection de flamme et la surface de mise à la terre par un examen visuel ou une mesure physique. Un bon moyen de vérifier l'installation consiste à mesurer le courant à l'électrode de détection de flamme dans des conditions réelles de combustion. Il est fortement recommandé que l'installateur mesure l'intensité du courant entre le panneau de raccordement de la commande (consultez la figure 3). Mesurez le courant avec un microampèremètre c.c. ou un instrument équivalent. Nous recommandons un courant de sortie constant de 0,9 microampère ou plus. La présence d'un courant constant d'une telle grandeur dans des conditions réelles de combustion indique généralement une mise à la terre adéquate de la flamme de la veilleuse.

**COMMENT VÉRIFIER QUE LA SURFACE DE MISE À LA TERRE EST ADÉQUATE**

**Figure 3** – Utilisation d'un microampèremètre pour vérifier que la surface de mise à la terre est adéquate.



**DIAGRAMME DE RACCORDEMENT POUR MESURE DU COURANT DE REDRESSSEMENT DU COURANT (DSP-5, A5) DE FLAMME DANS LES DISPOSITIFS DE DÉTECTION À L'ÉLECTRODE DE DÉTECTION**

MODÈLE N°	BTU/HR CAPACITÉ NOMINALE		PRESSION D'ALIMENTATION EN GAZ (W.C.)		DIMENSION DE L'AJUTAGE	
	NATUREL	PROPANE	MIN.	MAX.	COLLECTEUR	NAT. L.P.
4030	30 000	30 000	6,6 po	11 po	14 po	14 po
4040	40 000	40 000	6,8 po	11 po	14 po	14 po
8050	50 000	50 000	7,0 po	11 po	14 po	14 po
8060	60 000	60 000	7,0 po	11 po	14 po	14 po
8070	70 000	70 000	7,0 po	-	14 po	14 po
9080	80 000	80 000	7,0 po	11 po	14 po	14 po
9090	90 000	90 000	7,0 po	11 po	14 po	14 po
9100S	100 000	100 000	7,0 po	11 po	14 po	14 po
9100	100 000	100 000	7,0 po	11 po	14 po	14 po
9120	120 000	120 000	7,0 po	11 po	14 po	14 po
9140	140 000	140 000	7,0 po	-	14 po	14 po

FIGURE 2

a. Les orifices d'air d'admission et d'échappement minimums fournissent pas moins de 400 pieds cubes/minute pour chaque 100 000 BTU d'entrée sauf que la zone d'infiltration peut être incluse dans la zone d'admission. Le ventilateur

## 8. VENTILATION

NE MONTEZ PAS le thermostat directement sur un mur froid, dans un courant d'air ou directement sous l'appareil au-dessus du plancher où l'air peut circuler librement autour. le thermostat doit être installé à au moins 1,52 m (5 pi) l'appareil de chauffage. Pour obtenir des résultats optimaux, thermostat correspond à celles des commandes de Assurez-vous que les caractéristiques électriques du

## 7. THERMOSTAT ET EMBLACEMENT D'INSTALLATION

CSA C22.1. Au Canada, consultez le Code canadien de l'électricité récente révision du National Electrical Code, ANSI/NFPA70. L'appareil doit être mis à la terre conformément à la plus à celles qui sont indiquées sur la plaque signalétique. caractéristiques de l'alimentation électrique correspondent fourni avec l'appareil de chauffage. Assurez-vous que les de l'électricité en vigueur. Utilisez le schéma de câblage Tout le câblage extérieur doit être conforme au code

## 6. CIRCUIT ÉLECTRIQUE

DE CHAUFFAGE MENTIONNÉES AUX FIGURES 1 ET 2. **AVERTISSEMENT :** NE DÉPASSEZ PAS UNE

pression d'entrée de 1/2 PSI DANS LE CAS DES APPAREILS pour réduire la pression du gaz. avec le fabricant pour obtenir la configuration requise tuyauterie en boucle. Communiquez avec votre représentant Néanmoins, il est recommandé de créer un système de capacité ou un régulateur individuel pour chaque appareil. il peut être possible d'utiliser un seul régulateur à grande Dans une installation à plusieurs appareils de chauffage, Adjustment »).

pour connaître la pression d'alimentation minimale aux fins de réglage de la pression d'entrée (« For the Purpose of Input Consultez la plaque signalétique de l'appareil de chauffage le gaz utilisé. la pression maximale permise selon le modèle de l'appareil et l'appareil de chauffage. Consultez la figure 2 pour connaître il est recommandé d'installer un régulateur séparé en aval de et qu'elle est maintenue dans la conduite de gaz principale, Lorsque la pression du gaz dépasse le maximum recommandé

## 5. PRESSION DU GAZ

d'échappement peut être verrouillé avec le thermostat de l'appareil de chauffage. Si l'on utilise un ventilateur d'échappement autodébrayable, il doit être commandé par le thermostat ou par l'humidostat. b. Là où il y a un système de ventilation avec échappement par gravité, il est important de répartir les orifices au-dessus de l'appareil de chauffage (préférentiellement au point le plus élevé de la toiture) et les ouvertures doivent mesurer au moins 300 pouces carrés pour chaque entrée de 100 000 BTU.

## 9. UTILISATION

Une fois que vous avez terminé le câblage électrique, l'installation des conduites de gaz et la purge des conduites de gaz menant aux appareils de chauffage, consultez la plaque des instructions d'allumage fixée à l'appareil de chauffage pour connaître la procédure d'allumage appropriée.

## 10. NETTOYAGE

Nettoyez le venturi et la face du brûleur en y soufflant de l'air comprimé (pression maximale de 25#); nettoyez aussi les ajutages (consultez la figure 2 pour connaître la taille de mèche à utiliser). Pour obtenir des instructions d'entretien et de nettoyage détaillées, communiquez avec votre représentant ou avec le fabricant.

## AVERTISSEMENT :

LE LIANT À JOINT D'ÉTANCHÉITÉ UTILISÉ LORS DE L'ASSEMBLAGE DE L'APPAREIL DE CHAUFFAGE ÉMET TEMPORAIREMENT UNE ODEUR ET/OU DES VAPEURS. SUIVEZ LA PROCÉDURE DE VENTILATION (a ou b) ET CE PHÉNOMÈNE DISPARAITRA AU BOUT DE 20 MINUTES ENVIRON ET NE SE REPRODRA PLUS.

## AVERTISSEMENT :

N'ESSAYEZ PAS D'ALLUMER LA VEILLEUSE À LA MAIN SUR UN APPAREIL DE CHAUFFAGE DOTÉ DE L'ALLUMAGE AUTOMATIQUE PAR ÉTINCILLE.

## AVERTISSEMENT :

AVERTISSEMENT DE L'ÉTAT DE LA CALIFORNIE : L'UTILISATION DE CET APPAREIL CRÉE DES SOUS-PRODUITS DE COMBUSTION CONTENANT DU MONOXYDE DE CARBONE, UN PRODUIT CHIMIQUE RECONNU PAR L'ÉTAT DE LA CALIFORNIE COMME CAUSE DE CANCER ET D'ANOMALIES CONGÉNITALES (OU D'AUTRES RISQUES POUR LA REPRODUCTION).

## REMARQUE :

UTILISEZ LES PLUS RÉCENTES VERSIONS DE TOUTES LES NORMES ANSI ET NORMES CANADIENNES.

\* Les appareils de chauffage haute intensité sont vendus uniquement sous les numéros de modèle 4040, 8060, 91005 et 9120. \*\*D'autres numéros de modèle sont obtenus par l'utilisation d'ajustages supplémentaires que l'on ajoute aux appareils de chauffage pour modifier le débit de chaleur.

MODÈLE N°	BTU/HR CAPACITÉ NOMINALE		POSITION NORMALE DE FIXATION	DISTANCES DES MATÉRIAUX COMBUSTIBLES			
	GAZ			DESSUS	CÔTÉS	ARRIÈRE	DESSOUS
	NATUREL	PROPANE					
4030**	30 000	30 000	Horiz. - 45°	30 po	30 po	30 po	54 po
4040*	40 000	40 000	Horiz. - 45°	34 po	30 po	30 po	68 po
8050**	50 000	50 000	Horiz. - 45°	36 po	30 po	30 po	78 po
8060*	60 000	60 000	Horiz. - 45°	40 po	30 po	30 po	84 po
8070**	70 000	70 000	Horiz. - 45°	40 po	30 po	30 po	84 po
9080**	80 000	80 000	Horiz. - 45°	46 po	40 po	40 po	104 po
9090**	90 000	90 000	Horiz. - 45°	46 po	40 po	46 po	114 po
91005*	100 000	100 000	Horiz. - 45°	48 po	46 po	46 po	118 po
9100**	100 000	100 000	Horiz. - 45°	44 po	40 po	40 po	104 po
9120*	120 000	120 000	Horiz. - 45°	46 po	46 po	46 po	114 po
9140**	140 000	140 000	Horiz. - 45°	16 po	46 po	46 po	114 po

FIGURE 1

Dans le cas des garages publics, prévoyez une distance de sécurité minimale de 8 pi au-dessus du sol conformément à la norme ANSI/NFPA N° 88 dans sa plus récente version ou utilisez la valeur indiquée à la figure 1, selon la valeur la plus grande des deux. Au Canada, consultez les codes d'installation pour appareils à gaz Can 1-B-149.1 et B-149.2. Prévoyez une distance de sécurité minimale de 10 pi du dessous de l'appareil de chauffage au-dessus de l'aile, ou du capotage du moteur, aux endroits où des avions sont

**2. DISTANCES DE SÉCURITÉ Distances de sécurité minimales des matériaux combustibles. (consultez la figure 1)**

1. RENSEIGNEMENTS GÉNÉRAUX :
  - Avant de procéder à l'installation, effectuez une inspection pour détecter la présence de dommages. La compagnie de transport doit être avisée de tous les dommages; exigez un rapport d'inspection signé qui témoigne de la responsabilité de la compagnie de transport.
  - Ne pas tenter de faire fonctionner l'appareil de chauffage avec un autre type de gaz que celui indiqué sur la plaque signalétique.
  - L'installation de l'appareil de chauffage doit respecter les codes du bâtiment locaux ou, en l'absence de tels codes, doit se conformer à la norme ANSI Z223.1/NFPA54 du National Fuel Gas Code. Au Canada, consultez les codes Can 1-B-146.1 et B-149.2.
  - On trouvera un raccord de 1/8 po N.P.T. (National Pipe Thread), obturé et destiné à recevoir un manomètre d'essai, sur la commande de gaz de l'appareil de chauffage, ou encore un raccord de 1/4 po N.P.T. sur l'extérieur du venturi moule.

**4. ALIMENTATION EN GAZ**

Formalisez une alimentation en gaz appropriée à l'entrée nominale de chaque appareil de chauffage, conformément à la norme sur l'installation des conduites de gaz et des appareils à gaz dans les immeubles, brochure ANSI/Z23.1/NFPA54. Le tableau C-3 de cette brochure donne la capacité de conduites de gaz naturel de différents diamètres et longueurs, en pieds cubes par heure, avec une chute de pression de 0,3 pouce et une gravité spécifique de 0,60. Pour connaître la capacité des conduites de gaz de pétrole liquéfié (LP), consultez les tableaux C-3 et C-15 de la brochure. Pour connaître la méthode recommandée de raccordement du gaz à l'appareil de chauffage, consultez la figure 5, page 15. Au Canada, consultez les codes Can 1-B-149.1 et B-149.2 ainsi que la norme CSA B63.

**3. SUSPENSION**

L'appareil de chauffage comporte quatre trous de montage, deux à chaque extrémité, permettant d'y attacher une tige ou des cornières, et doit être fixé adéquatement, en toute sécurité, à l'écart des conduites de gaz et des lignes d'alimentation électrique. Consultez les figures 4, 5 et 7 aux pages 13 et 14 pour connaître les méthodes de suspension recommandées.

**AVERTISSEMENT : NE PAS UTILISER**

Si les conduites de gaz doivent être mises à l'essai avec de l'air comprimé, débrancher chaque appareil de chauffage pour éviter d'endommager les commandes et installer des bouchons aux sorties. Après avoir reconnecté tous les appareils de chauffage, vidangez l'air des conduites de gaz et vérifiez toutes les connexions pour déceler les fuites à l'aide d'une solution savonneuse.

D'ALLUMETTE NI AUCUN AUTRE TYPE DE FLAMME POUR DÉTECTER DES FUITES.

entreposés, et de 8 pi au-dessus du plancher dans les autres parties du hangar conformément à la norme ANSI/NFPA N° 409 dans sa plus récente version ou utilisez la valeur indiquée à la figure 1, selon la valeur la plus grande des deux. Au Canada, consultez les codes CCA B-149-1-M91 et B-149.2.

**AVERTISSEMENT : DANS LES GARAGES OU DES VÉHICULES SONT STATIONNÉS DIRECTEMENT SOUS L'APPAREIL DE CHAUFFAGE, CONSERVEZ LES DISTANCES DE SÉCURITÉ INDICUÉES À LA FIGURE 1 OU SUR LA PLAQUE SIGNALÉTIQUE DE L'APPAREIL DE CHAUFFAGE.**

**TABLE DES MATIÈRES**

Renseignements généraux ..... 3

Distances de sécurité ..... 3

Alimentation en gaz ..... 3

Pression du gaz ..... 4

Circuit électrique ..... 4

Thermostat et emplacement d'installation ..... 4

Ventilation ..... 4

Utilisation ..... 4

Nettoyage ..... 4

Diagramme de raccordement pour mesure du courant à l'électrode de détection de flamme dans les dispositifs de redressement du courant ..... 5

Thermostat ..... 5

Pièces de rechange ..... 7

Pièces de rechange du système de commande ..... 10

**AVERTISSEMENT :** Une installation incorrecte, un réglage inadéquat, une modification, une réparation ou un entretien inappropriés peuvent causer des dommages, des blessures, voire même la mort. Lisez les instructions d'installation, de fonctionnement et d'entretien avant de procéder à l'installation ou à l'entretien de cet équipement. Pour obtenir de l'aide ou des renseignements supplémentaires, consultez un installateur qualifié, un fournisseur de services d'entretien ou un fournisseur de gaz.

**AVERTISSEMENT :** Si l'appareil de chauffage est utilisé sans l'apport d'air frais, il peut émettre du MONOXYDE DE CARBONE, un gaz toxique inodore. OUVREZ LA FENÊTRE D'UN POUCE OU DEUX POUR LAISSER PÉNÉTRER L'AIR FRAIS LORS DE L'UTILISATION DE L'APPAREIL DE CHAUFFAGE.

**AVERTISSEMENT :** Cet appareil de chauffage est muni d'un SYSTÈME DE SÉCURITÉ À VEILLEUSE. NE PAS ALTÉRER LE SYSTÈME DE SÉCURITÉ À VEILLEUSE!

**AVERTISSEMENT :** Si le système de chauffage s'éteint, ne le rallumez pas tant qu'il n'y a pas d'air frais. Si le système de chauffage n'arrête pas de s'éteindre, faites-le réparer. Garder le brûleur et la zone de commande propres. Ouvrez la porte pendant 5 minutes.

Respectez les distances de sécurité indiquées à la figure 1 ou sur la plaque signalétique de sécurité de l'appareil de chauffage.

- N'UTILISEZ PAS D'ALLUMETTE NI AUCUN AUTRE TYPE DE FLAMME POUR DÉTECTER DES FUITES.
- NE JAMAIS DÉPASSER 1/2 LB/POUCE CARRE (PSI) DE PRESSION D'ADMISSION AU SYSTÈME.

**DANGER :** L'empoisonnement au monoxyde de carbone peut causer la mort.

**AVERTISSEMENT :** L'utilisation de cet appareil crée des sous-produits de combustion contenant du monoxyde de carbone, un produit chimique reconnu par l'état de la Californie comme cause de cancer et d'anomalies congénitales (ou d'autres risques pour la reproduction).

**AVERTISSEMENT DE L'ÉTAT DE LA CALIFORNIE :**

**Empoisonnement au monoxyde de carbone :** Les signes avant-coureurs d'intoxication au monoxyde de carbone ressemblent aux symptômes de la grippe accompagnés de maux de tête, d'étourdissements et de nausées. Si vous ressentez ces maux, l'appareil de chauffage ne fonctionne peut-être pas correctement. Allez immédiatement à l'air libre! Faites inspecter l'appareil de chauffage. Certaines personnes sont plus affectées par le monoxyde de carbone que d'autres. Elles comprennent les femmes enceintes, les personnes souffrant de maladies cardiaques, pulmonaires ou d'anémie, les personnes sous l'influence d'alcool et celles qui se trouvent en haute altitude.

**ATTENTION :**

- Ne jamais connecter la soupape de gaz ou le thermostat à la tension de ligne ou à un transformateur.
- Si la couleur infrarouge de la grille devient terne lorsque le système de chauffage de l'immeuble est en fonction, consultez le fournisseur de gaz pour obtenir les dimensions correctes des conduites d'alimentation de gaz.
- Cet appareil de chauffage est réservé exclusivement à l'usage intérieur.

**REMARQUE** Le liant à joint d'étanchéité utilisé lors de l'assemblage de l'appareil de chauffage émet temporairement une odeur et/ou des vapeurs. Cette condition disparaît en 20 minutes approximativement et par conséquent ne se reproduit plus par la suite. Consultez la page 4 pour connaître les procédures de ventilation.

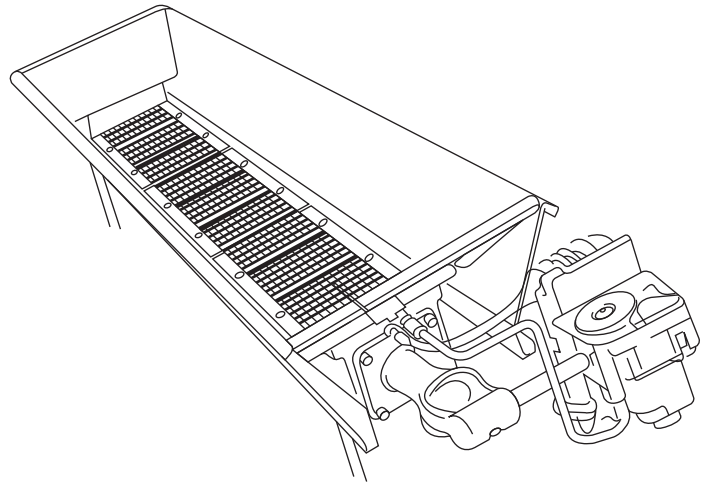
# GUIDE D'UTILISATION ET INSTRUCTIONS DE FONCTIONNEMENT

## Appareils de chauffage infrarouge haute intensité HEATSTAR

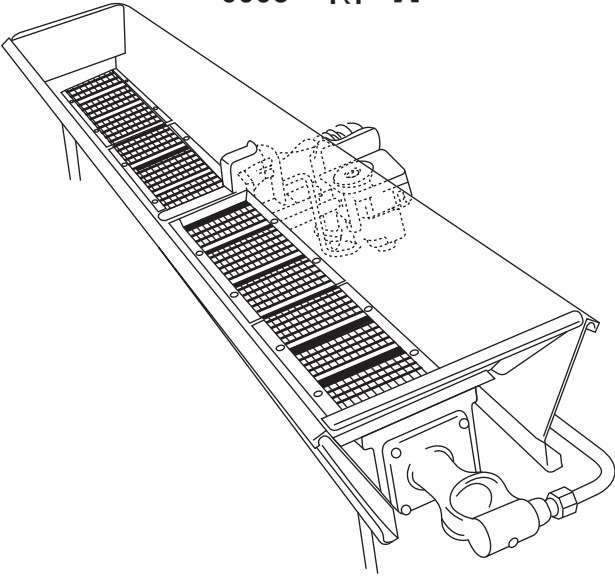
MODÈLES

HS4040 HS9100S  
HS8060 HS9120

**LISEZ SOIGNEUSEMENT LES INSTRUCTIONS.** Lisez et observez toutes les instructions. Conservez les instructions pour vous y référer ultérieurement. Interdisez à quiconque n'ayant pas lu les présentes instructions d'assembler, d'allumer, de régler ou de faire fonctionner cet appareil de chauffage.



Modèles 4000 et 8000



Modèles 9000

**AVERTISSEMENT : Le fait de ne pas respecter les instructions données dans le présent guide avec exactitude risque d'entraîner une explosion ou un incendie causant des dommages matériels, des blessures et des pertes de vie.**

- N'entreposez pas et n'utilisez pas d'essence ou d'autres liquides ou vapeurs inflammables à proximité de ce type d'appareil.

- EN PRÉSENCE D'UNE ODEUR DE GAZ

- Coupez l'alimentation du gaz
- Ne tentez pas d'allumer l'appareil de chauffage
- Ne touchez à aucun interrupteur électrique; n'utilisez aucun téléphone dans l'immeuble
- Appelez immédiatement votre fournisseur de gaz à partir du téléphone d'un voisin.
- Suivez les instructions du fournisseur de gaz
- Si vous ne pouvez joindre votre fournisseur de gaz, appelez le service des incendies

- L'installation et l'entretien doivent être exécutés par un installateur qualifié, par un fournisseur de services d'entretien ou par un fournisseur de gaz.

Cet appareil de chauffage alimenté au gaz n'est pas ventilé. Il utilise l'oxygène de l'air ambiant. Une circulation d'air adéquate doit être assurée pour la combustion et la ventilation. Consultez la page 4.