

PORTABLE PA SPEAKER USER MANUAL



PWMA1216BM

PYLE
PyleAudio.com

FEATURES

1. Versatile Public Address Microphone & Speaker
2. Bluetooth Wireless Music Streaming Ability
3. Lightweight, Portable & Powerful
4. USB Flash & SD Memory Card Readers
5. MP3 Digital Audio File Compatibility
6. Built-in Rechargeable Battery, 10+ Hour Operation
7. 1/4" Microphone Input Jack
8. Audio (3.5mm) Output, Connect External Speakers
9. Full Range Stereo Sound Reproduction
10. Impressive Bass Response
11. Echo, Bass, Treble Audio Configuration Controls
12. Convenient Carry Handle
13. Includes Wireless VHF Handheld Microphone, Belt Pack Transmitter, Headset MIC, Lapel MIC
14. Includes Carrying Bag, Car Cigarette Lighter DC Power Cable, AC Power Cable & 9V Battery
15. Ability to be Powered by External Wall Power Adapter, Car Cigarette Lighter
16. Perfect for Karaoke, Crowd Control, House Parties

CAUTION

1. This unit is with speaker inside which can cause magnetic field. Keep this unit at least 60cm away from computer or TV.
2. This unit is with built-in rechargeable battery. Please recharge the battery every 2 months if you are not going to use the unit for a long period of time. Or the battery may be damaged.
3. If the battery is damaged please replace with same specifications battery. And dispose the damaged battery environment friendly.
4. Free from high temperature. Don't expose the device to the hot equipment.
5. Don't place the device in the environment of humidity and dirt.
6. Place the device in the ventilated environment.
7. Don't pull the power cord while you pull out the plug. Hold the plug tightly to pull it out.
8. Pull out the AC power if you will not use the device for a long time.
9. Your operation must be subjected to the specified voltage marked near the AC in jack and complied with this guide.

SPECIFICATION

Amplifier

Power Supply: AC~120V/60Hz; DC 12V;
Built-in 12V/1.3A lead-acid battery
Frequency Response: 25-15,000Hz
MAX Power Output: 60W
Mic Input: 1.4V rms, OVER 600ohm
Echo Time: 120msec.
Maximum USB/SD Flash Memory Support: 32GB
Digital Audio File Support: Mp3
Speaker Impedance: 4 ohm
Dimensions(WxDxH): 7.2"x4.3"x11.6"
Weight: 4.69lbs

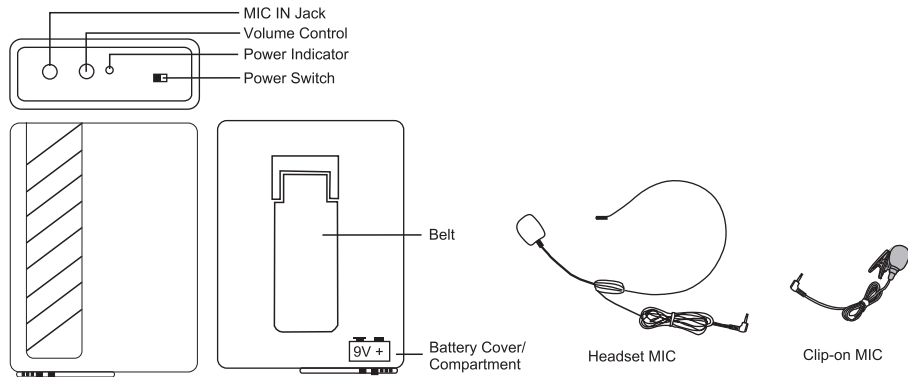
Bluetooth Connectivity

Wireless Music Streaming Audio
Works with All of Your Favorite Devices
(Smartphone, Tablet, Computer, Laptop, MP3 Player, etc.)
Bluetooth Version: 3.0
Bluetooth Network Name: Pyle Audio
Bluetooth Wireless Range: 30' ft.

Microphone

Frequency Range: 170~260MHz
Dynamic Range: 80dB
Frequency Response: 100~10KHz
Operating Range: 100' ft.
Working Temperature: 14°F-113°F
Power Supply: 9V
Battery Time: 10 hours

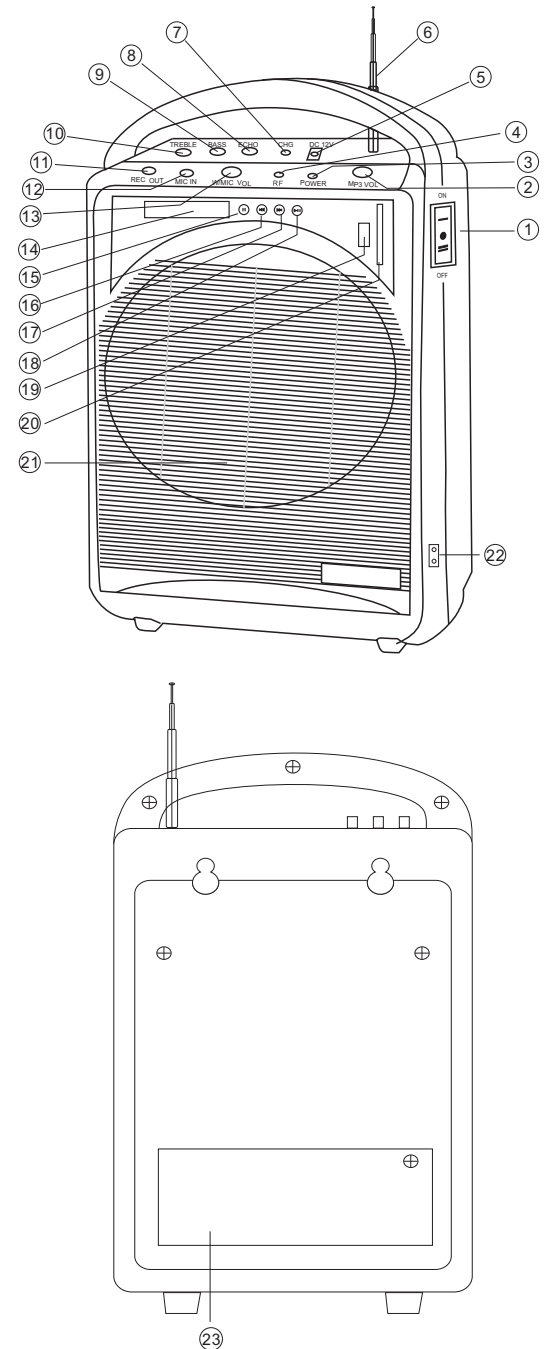
OPERATION OF BELT PACK TRANSMITTER



1. Open the battery cover and install a fresh 9V battery, observing the correct polarity. And then close the cover.
 2. Plug in either the clip-on or the headset microphone.
 3. To use the clip-on MIC, attach it at chest level. Do not place too close to the mouth - a distance of about six inches usually works best. To use the headset MIC, place it on the head and adjust the MIC boom so that the MIC is about one inch to the side of the front of the mouth.
- Note: The clip-on or headset MIC wire is also the transmitting antenna. Rolling up or shortening the wire may reduce the effective operating range. Extend the wire fully during use and keep it as straight as possible.
4. Turn on the transmitter by sliding the power switch to ON position. Power indicator will give a single quick flash, indicating usable battery strength. In the case of a dead or low battery, the power indicator either will not go on at all or will stay on continuously, indicating that the battery should be replaced with a fresh one.
 5. The RF indicator on the amplifier should now be lit.
 6. Adjust the volume control of body pack and/or volume control of the amplifier to a comfortable listening level as desired.
 7. If the transmitter is not going to be used for any length of time, push power switch to OFF position and remove the battery.

PARTS DESCRIPTION

1. Power ON/OFF switch
2. MP3 volume control
3. Power ON LED indicator
4. RF ON LED indicator
5. External DC input jack
6. Wireless receiver antenna
7. Charge LED indicator
8. Echo level control
9. Bass level control
10. Treble level control
11. Record out jack
12. MIC Input jack
13. Wired/wireless MIC volume control
14. MP3 display
15. MP3 mode
16. MP3 previous/volume-
17. MP3 next/volume+
18. MP3 play/pause
19. USB port
20. SD/MMC card slot
21. Speaker
22. AC input jack
23. Battery compartment



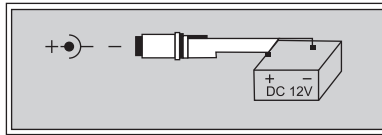
OPERATION ON AC POWER

Plug one end of provided AC cord into the AC input jack on the right side of the amplifier. Then plug the other end of AC cord into AC power outlet. Turn on the unit using the power/volume switch.

NOTE: To avoid damaging your unit, make sure AC power is same as that marked near AC input jack)

OPERATION ON DC POWER

This unit can be powered also using external 12V DC power. Connect external 12V DC power to DC input jack on top panel of the amplifier. Observe the correct polarity as following.



OPERATION ON RECHARGEABLE BATTERY

This unit can be powered internally using the built-in rechargeable battery. When AC power is connected, if battery charging indicator lights red, the rechargeable battery is not fully charged and will be allowed to charge while the unit is powered by the AC power. (Note: Turning off the unit power switch will allow the battery to recharge more quickly.) If the battery charging indicator lights green, the battery is fully charged and ready to power the unit alone. Shut off the power switch and disconnect the AC power. Turn the unit back on and the rechargeable battery will power the unit alone.

CONNECTION

The **REC OUT** socket can be connected to a recording device or to the input jack of a power amplifier to further amplify and enlarge the audio power.

The **MIC IN** socket can be connected to wired dynamic MIC. Keep MIC head away from the speaker of main unit to avoid feedback.

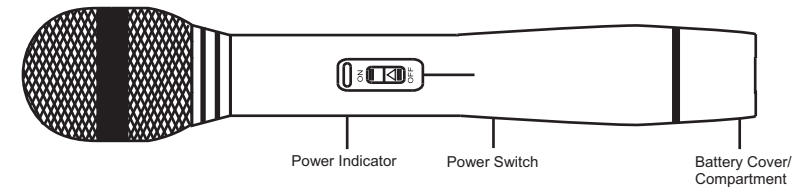
OPERATION OF BLUETOOTH/MP3

1. Insert flash drive into USB port or TF card into TF card slot, system will play the music in flash drive or TF card automatically. If both flash drive and TF card are inserted, system will play the music in flash drive. To play music in TF card press MODE button to switch to SD mode.
2. To play music from your mobile phone etc via bluetooth, press MODE button to switch to BT mode. Turn on bluetooth function of your mobile phone and search for Pyle Audio and connect. Then you can play your music in mobile phone.

ATTENTION:

1. If feedback (howling sound) occurs, try first turning down the treble control. If feedback still is present, try turning down the volume or repositioning this unit with respect to the wired or wireless microphone being used.
2. Extend the antenna fully whenever using the wireless microphone to ensure optimum performance and maximum range.

OPERATION OF WIRELESS MICROPHONE



1. Open the battery cover and install a fresh 9V battery, observing the correct polarity. And then close the cover.
2. Push power switch to ON position. Power indicator will light red, indicating usable battery strength. In the case of low battery power or a dead battery, the power indicator either will become dim or not go on at all, indicating that the battery should be replaced with a fresh one.
3. The RF indicator on the amplifier should now be lit.
4. Adjust the wireless MIC volume control of the amplifier to a comfortable listening level as desired.
5. If the microphone is not going to be used for any length of time, push power switch to OFF position and remove the battery.