

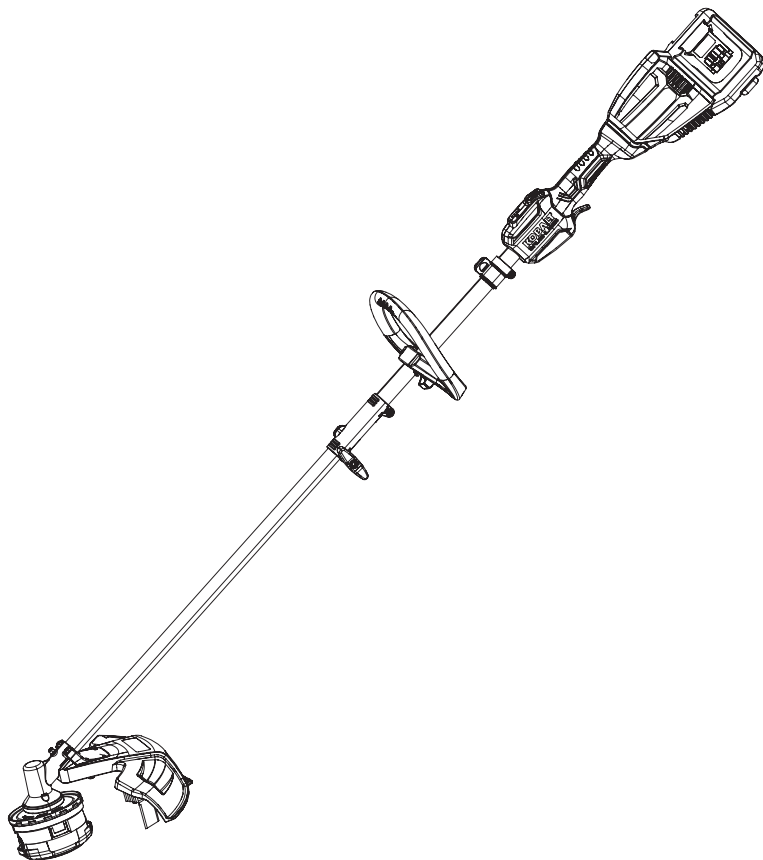
# KOBALT®

ITEM #6036647/7915896  
MODEL #KMS 3248-06/KMS1524-06

## 48 V ATTACHMENT CAPABLE STRING TRIMMER

Español p. 27

KOBALT and logo design are trademarks or registered trademarks of LF, LLC. All rights reserved.



Serial Number \_\_\_\_\_

Purchase Date \_\_\_\_\_

Thank you for purchasing this KOBALT product.  
Questions, problems or missing parts?  
Before returning, contact us on:  
**888-356-2258**, 8 a.m. - 8 p.m., EST, Monday - Sunday or [ascs@lowes.com](mailto:ascs@lowes.com).

DF25485

## TABLE OF CONTENTS

---

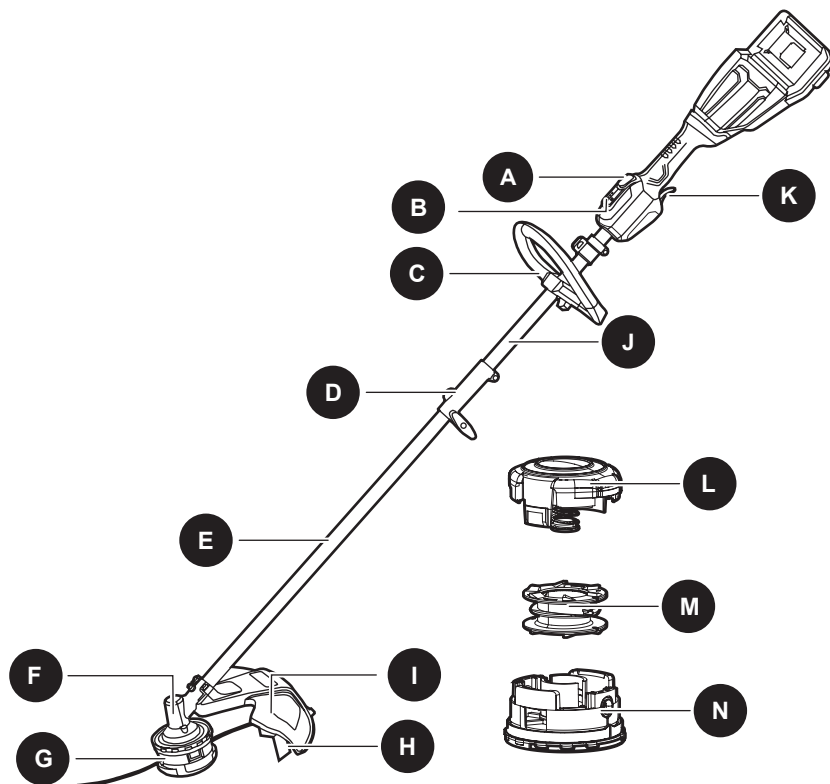
Product Specifications.....	2
Package Contents.....	3
Hardware Contents.....	4
Symbols.....	5
Safety Information.....	7
Preparation.....	12
Assembly Instructions.....	12
Operating Instructions.....	20
Care and Maintenance.....	22
Troubleshooting.....	23
Warranty.....	24
Replacement Parts List.....	25

## PRODUCT SPECIFICATIONS

---

SPECIFICATIONS	
Voltage	48 V DC
No-load speed	5000/6200 RPM $\pm$ 10%
Cutting path	15 in. (381 mm)
Line diameter	0.095 in. (2.4 mm)
Cutting capacity	Dual line

## PACKAGE CONTENTS



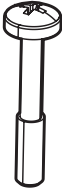
PART	DESCRIPTION	QUANTITY
A	Power button	1
B	Power indicator LED	1
C	Front / Auxiliary handle	1
D	Coupler	1
E	Lower tube	1
F	Gear box	1
G	String trimmer head	1
H	Cut-off blade	1
I	Guard	1

PART	DESCRIPTION	QUANTITY
J	Upper tube	1
K	Trigger	1
L	Spool cover	1
M	Spool	1
N	Spool housing	1

**HARDWARE CONTENTS** (Not to scale)

---

**AA**



Screw  
(preassembled to the Guard (L))

Qty. 4

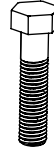
**BB**



Fastening  
Knob

Qty. 1

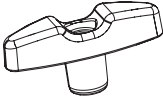
**CC**



Bolt

Qty. 1

**DD**



Knob

Qty. 1

**EE**



Lower Bracket

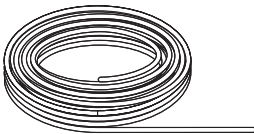
Qty. 1

**FF**



Hex Wrench

Qty. 1











Ø = 2.4 mm (0.095 in.)

Cutting Line  
(4 m, 13 ft.)

Qty. 1




## SYMBOLS

Some of the following symbols may be used on this product. Please study them and learn their meaning. Proper interpretation of these symbols will allow you to operate the product better and safer.


SYMBOLS	EXPLANATION
	Indicates a potential personal injury hazard.
	To reduce the risk of injury, user must read instruction manual.
	Wear eye and ear protection.
	Do not expose to rain.
	Beware of thrown objects.
	The distance between the product and bystanders shall be at least 15 m (50 ft).
	Do not use metal blades.
	Disconnect battery before maintenance.

## SYMBOLS

The following signal words and meanings are intended to explain the levels of risk associated with this product.

SYMBOL	SIGNAL	MEANING
	DANGER	Indicates an imminently hazardous situation, which, if not avoided, will result in death or serious injury.
	WARNING	Indicates a potentially hazardous situation, which, if not avoided, could result in death or serious injury.
	CAUTION	Indicates a potentially hazardous situation, which, if not avoided, may result in minor or moderate injury.
	CAUTION	(Without Safety Alert Symbol) Indicates a situation that may result in property damage.

## WARNING

- To avoid serious personal injury, do not attempt to use this product until you have read this owner's manual thoroughly and understand it completely. If you do not understand the warnings and instructions in this owner's manual, do not use this product. Call **888-356-2258** for assistance.
-  The operation of any product can result in foreign objects being thrown into your eyes, which can result in severe eye damage. Before operating a product, always wear safety goggles, safety glasses with side shields, or a full-face shield when needed. A Wide Vision Safety Mask is recommended for use over eyeglasses or standard safety glasses with side shields. Always use eye protection that is marked to comply with ANSI Z87.1.

**SAVE THESE INSTRUCTIONS**

## SAFETY INFORMATION

---

Please read and understand this entire manual before attempting to assemble, operate or install the product.

### General Product Safety Warnings

#### WARNING

**Read all safety warnings, instructions, illustrations and specifications provided with this Product. Failure to follow all instructions listed below may result in electric shock, fire and/or serious injury.**

**Save all warnings and instructions for future reference.**

The term “product” in the warnings refers to your mains-operated (corded) Product or BATTERY-operated (cordless) Product.

#### 1) Work area safety

- a) **Keep work area clean and well lit.** *Cluttered or dark areas invite accidents.*
- b) **Do not operate products in explosive atmospheres, such as in the presence of flammable liquids, gases or dust.** *Products create sparks which may ignite the dust or fumes.*
- c) **Keep children and bystanders away while operating a product.** *Distractions can cause you to lose control.*

#### 2) Electrical safety

- a) **Product plugs must match the outlet. Never modify the plug in any way. Do not use any adapter plugs with earthed (grounded) products.** *Unmodified plugs and matching outlets will reduce risk of electric shock.*
- b) **Avoid body contact with earthed or grounded surfaces, such as pipes, radiators, ranges and refrigerators.** *There is an increased risk of electric shock if your body is earthed or grounded.*
- c) **Do not expose products to rain or wet conditions.** *Water entering a Product will increase the risk of electric shock.*
- d) **Do not abuse the cord. Never use the cord for carrying, pulling or unplugging the product. Keep cord away from heat, oil, sharp edges or moving parts.** *Damaged or entangled cords increase the risk of electric shock.*
- e) **When operating a product outdoors, use an extension cord suitable for outdoor use.** *Use of a cord suitable for outdoor use reduces the risk of electric shock.*
- f) **If operating a product in a damp location is unavoidable, use a residual current device (RCD) protected supply.** *Use of an RCD reduces the risk of electric shock.*

#### 3) Personal safety

- a) **Stay alert, watch what you are doing and use common sense when operating a product. Do not use a product while you are tired or under the influence of drugs, alcohol or medication.** *A moment of inattention while operating Products may result in serious personal injury.*
- b) **Use personal protective equipment. Always wear eye protection.** *Protective equipment such as dust mask, non-skid safety shoes, hard hat, or hearing protection used for appropriate conditions will reduce personal injuries.*
- c) **Prevent unintentional starting. Ensure the switch is in the off-position before connecting to power source and/or battery pack, picking up or carrying the product.** *Carrying products with your finger on the switch or energising products that have the switch on invites accidents.*
- d) **Remove any adjusting key or wrench before turning the product on.** *A wrench or a key left attached to a rotating part of the Product may result in personal injury.*
- e) **Do not overreach. Keep proper footing and balance at all times.** *This enables better control of the product in unexpected situations.*

- f) Dress properly. Do not wear loose clothing or jewellery. Keep your hair and clothing away from moving parts.** *Loose clothes, jewellery or long hair can be caught in moving parts.*
- g) If devices are provided for the connection of dust extraction and collection facilities, ensure these are connected and properly used.** *Use of dust collection can reduce dust-related hazards.*
- h) Do not let familiarity gained from frequent use of products allow you to become complacent and ignore tool safety principles. A careless action can cause severe injury within a fraction of a second.**

#### **4) Product use and care**

- a) Do not force the product. Use the correct product for your application.** *The correct product will do the job better and safer at the rate for which it was designed.*
- b) Do not use the product if the switch does not turn it on and off.** *Any product that cannot be controlled with the switch is dangerous and must be repaired.*
- c) Disconnect the plug from the power source and/or remove the battery pack, if detachable, from the product before making any adjustments, changing accessories, or storing Products.** *Such preventive safety measures reduce the risk of starting the Product accidentally.*
- d) Store idle products out of the reach of children and do not allow persons unfamiliar with the product or these instructions to operate the product.** *Products are dangerous in the hands of untrained users.*
- e) Maintain products and accessories. Check for misalignment or binding of moving parts, breakage of parts and any other condition that may affect the product's operation. If damaged, have the product repaired before use.** *Many accidents are caused by poorly maintained products.*
- f) Keep cutting tools sharp and clean.** *Properly maintained cutting tools with sharp cutting edges are less likely to bind and are easier to control.*
- g) Use the product, accessories and tool bits etc. in accordance with these instructions, taking into account the working conditions and the work to be performed.** *Use of the product for operations different from those intended could result in a hazardous situation.*
- h) Keep handles and grasping surfaces dry, clean and free from oil and grease.** *Slippery handles and grasping surfaces do not allow for safe handling and control of the tool in unexpected situations.*

#### **5) Battery tool use and care**

- a) Recharge only with the charger specified by the manufacturer.** *A charger that is suitable for one type of battery pack may create a risk of fire when used with another battery pack.*
- b) Use products only with specifically designated battery packs.** *Use of any other battery packs may create a risk of injury and fire.*
- c) When battery pack is not in use, keep it away from other metal objects, like paper clips, coins, keys, nails, screws or other small metal objects, that can make a connection from one terminal to another.** *Shorting the battery terminals together may cause burns or a fire.*
- d) Under abusive conditions, liquid may be ejected from the battery; avoid contact. If contact accidentally occurs, flush with water. If liquid contacts eyes, additionally seek medical help.** *Liquid ejected from the battery may cause irritation or burns.*
- e) Do not use a battery pack or product that is damaged or modified.** *Damaged or modified batteries may exhibit unpredictable behaviour resulting in fire, explosion or risk of injury.*
- f) Do not expose a battery pack or product to fire or excessive temperature.** *Exposure to fire or temperature above 130 °C (265 °F) may cause explosion.*
- g) Follow all charging instructions and do not charge the battery pack or product outside the temperature range specified in the instructions.** *Charging improperly or at temperatures outside the specified range may damage the battery and increase the risk of fire.*

- Use only KOBALT 24-volt batteries. (KB 224-03, KB 224-06, KB 324-06, KB 424-03, KXB 424-03, KB 424A-06, KB 424-06, KB 524-06, KB 524-03, KB 624-03, KB 624-06, KXB 824-03, KB 824-06).

## SAFETY INFORMATION

---

- Use only KOBALT 24-volt charger. (KRC 2445-03, KCH 2401-03, KDPC 124-03, KRC 2490-03, KCH 2411-03, KRC 2404-03, KCH 324-06, KCH 624-06, KCH 1024-06, KCH 1424-06).
- Ambient temperature range:
  - String trimmer storage temperature range: -4°F (-20°C) - 158°F (70°C)
  - String trimmer operation temperature range: -4°F (-20°C) - 104°F (40°C)
  - Battery charging temperature range: 39°F (4°C) - 104°F (40°C)
  - Charger operation temperature range: 39°F (4°C) - 113°F (45°C)
  - Battery storage temperature range: 1 year: 32°F (0°C) - 73°F (23°C)  
3 month: 32°F (0°C) -113°F (45°C)  
1 month: 32°F (0°C) -140°F (60°C)
  - Battery discharging temperature range: 6.8°F (-14°C) - 113°F (45°C)

### 6) Service

- a) Have your product serviced by a qualified repair person using only identical replacement parts.** *This will ensure that the safety of the product is maintained.*
- b) Never service damaged battery packs.** *Service of battery packs should only be performed by the manufacturer or authorized service providers.*

### Grass trimmer safety warnings

- a) Do not use the product in bad weather conditions, especially when there is a risk of lightning.** *This decreases the risk of being struck by lightning.*
- b) Thoroughly inspect the area for wildlife where the product is to be used.** *Wildlife may be injured by the product during operation.*
- c) Thoroughly inspect the area where the product is to be used and remove all stones, sticks, wires, bones, and other foreign objects.** *Thrown objects can cause personal injury.*
- d) Before using the product, always visually inspect to see that the cutter or blade and the cutter or blade assembly are not damaged.** *Damaged parts increase the risk of injury.*
- f) Follow instructions for changing accessories.** *Improperly tightened blade securing nuts or bolts may either damage the blade or result in it becoming detached.*
- g) The rated rotational speed of the blade must be at least equal to the maximum rotational speed marked on the product.** *Blades running faster than their rated rotational speed can break and fly apart.*
- h) Wear eye, ear, head and hand protection.** *Adequate protective equipment will reduce personal injury by flying debris or accidental contact with the cutting line or blade.*
- i) While operating the product, always wear non-slip and protective footwear.** *Do not operate the product when barefoot or wearing open sandals. This reduces the chance of injury to the feet from contact with the moving cutters or lines.*
- j) While operating the product, always wear safety footwear. Do not operate the product when barefoot or wearing open sandals.** *This reduces the chance of injury to the feet from contact with a moving cutter, line or blade.*
- k) While operating the product, always wear long trousers.** *Exposed skin increases the likelihood of injury from thrown objects.*
- l) Keep bystanders away while operating the product.** *Thrown debris can result in serious personal injury.*
- m) Always use two hands when operating the product.** *Holding the product with both hands will avoid loss of control.*
- n) Hold the product by the insulated gripping surfaces only, because the cutting line or blade may contact hidden wiring.** *Cutting line or blades contacting a "live" wire may make exposed metal*

parts of the product “live” and could give the operator an electric shock.

**o) Always keep proper footing and operate the product only when standing on the ground.**

*Slippery or unstable surfaces may cause a loss of balance or control of the product.*

**p) Do not operate the product on excessively steep slopes.** *This reduces the risk of loss of control, slipping and falling which may result in personal injury.*

**q) When working on slopes, always be sure of your footing, always work across the face of slopes, never up or down and exercise extreme caution when changing direction.** *This reduces the risk of loss of control, slipping and falling which may result in personal injury.*

**s) Keep all parts of the body away from the cutter, line or blade when the product is operating. Before you start the product, make sure the cutter, line or blade is not contacting anything.** *A moment of inattention while operating the product may result in injury to yourself or others.*

**t) Do not operate the product above waist height.** *This helps prevent unintended cutter or blade contact and enables better control of the product in unexpected situations.*

**u) When cutting brush or saplings that are under tension, be alert for spring back.** *When the tension in the wood fibres is released, the brush or sapling may strike the operator and/or throw the product out of control.*

**v) Use extreme caution when cutting brush and saplings.** *The slender material may catch the blade and be whipped toward you or pull you off balance.*

**w) Maintain control of the product and do not touch cutters, lines or blades and other hazardous moving parts while they are still in motion.** *This reduces the risk of injury from moving parts.*

**y) Carry the product with the product switched off and away from your body.** *Proper handling of the product will reduce the likelihood of accidental contact with a moving cutter, line or blade.*

**aa) Only use replacement cutters, lines, cutting heads and blades specified by the manufacturer.** *Incorrect replacement parts may increase the risk of breakage and injury.*

**bb) When clearing jammed material or servicing the machine, make sure the switch is off and the battery pack is removed.** *Unexpected starting of the machine while clearing jammed material or servicing may result in serious personal injury.*

### Child safety

Tragic accidents can occur if the operator is not aware of the presence of children.

- Keep children out of the working area and under the watchful care of a responsible adult.
- Do not allow children under the age of 14 to operate this trimmer. Children who are 14 years of age or older must read and understand the operating instructions and safety rules in this manual and must be trained and supervised by a parent.
- Stay alert and turn the trimmer off if a child or any other person enters the working area.
- Look behind and down for small children before and while cutting backwards.
- Use extreme care when approaching blind corners, doorways, shrubs, trees, or other objects that may obscure your view of a child who may run into the path of the trimmer.

## SAFETY INFORMATION

---

### WARNING (PROPOSITION 65)

Some dust created by power sanding, sawing, grinding, drilling, and other construction activities contains chemicals known to cause cancer, birth defects or other reproductive harm. Some examples of these chemicals are:

- Lead from lead-based paints.
- Crystalline silica from bricks and cement and other masonry products, and
- Arsenic and chromium from chemically treated lumber.

Your risk of exposure to these chemicals varies depending on how often you do this type of work.

To reduce your exposure to these chemicals, work in a well-ventilated area, and work with approved safety equipment, such as dust masks that are specially designed to filter out microscopic particles.

### SERVICE

Servicing requires extreme care and knowledge and should be performed only by a qualified service technician. For service, it is suggested you return the product to your nearest AUTHORIZED SERVICE DEPARTMENT for repair. When servicing, use only identical replacement parts.

**SAVE THESE INSTRUCTIONS**

## PREPARATION

---

Before beginning assembly of product, make sure all parts are present. Compare parts with package contents list and hardware contents list. If any part is missing or damaged, do not attempt to assemble the product.

**Estimated Assembly Time: 5 - 10 minutes**

Tools Required for Assembly (not included): Phillips Screwdriver

## ASSEMBLY INSTRUCTIONS

---

### WARNING

To avoid injury and to reduce the risk of electrical shock or fire:

- Replace the battery or charger immediately if the battery case or charger cord is damaged.
- Always make sure the string trimmer switch is OFF before inserting or removing the batteries.
- Always make sure the batteries are removed and the switch is turned OFF before inspecting, adjusting, or maintaining any other part of the string trimmer.
- Read, understand, and follow the Battery Charger instructions.

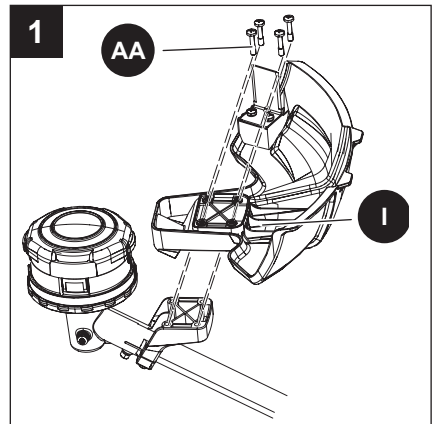
### 1. Installing the guard

#### CAUTION

To avoid injury, always remove the batteries before installing the guard, changing a cutting line, or making any adjustments. If the guard is damaged, do not use the grass trimmer until it is replaced.

**Note:** Install the protective guard before operating the grass trimmer. It should not be removed or disassembled.

- Invert the grass trimmer to access the string trimmer head.
- Using a phillips head screwdriver (not included), remove the pre-installed screws (AA) from the trimmer guard.
- Place the guard (I) onto the shaft.
- Align the screw holes on the guard (I) with the screw holes on the shaft.
- Insert the screws (AA) into the shaft and tighten to fasten the guard (I) in place.



#### Hardware Used

---

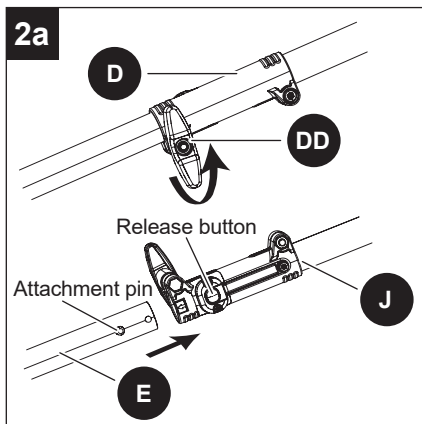
 Screw

 x 4

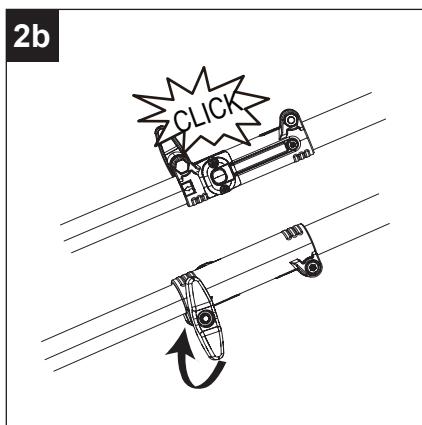
## ASSEMBLY INSTRUCTIONS

### 2. Connecting upper / lower trimmer tubes

- Loosen the knob (DD) on the coupler (D).
- Push in the attachment pin on the lower tube (E).
- Align the attachment pin with the release button on the upper tube (J) and slide the two tubes together.
- Rotate the lower tube (E) until the attachment pin locks into the release button.



- Tighten the knob.



### Hardware Used

**DD** Knob



## ASSEMBLY INSTRUCTIONS

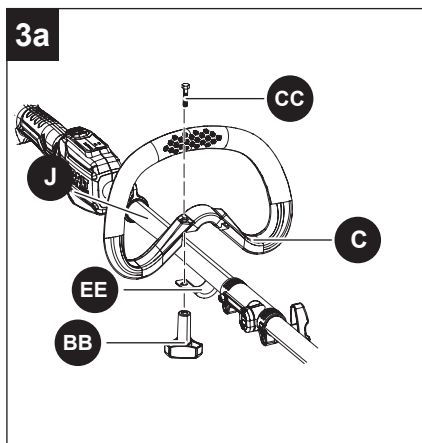
### **⚠** WARNING

To avoid injury, adjust the auxiliary handle for optimum control and balance. Do not overreach when operating grass trimmer. Keep proper balance at all times for better control of the tool in unexpected situations.

### 3. Installing the front / auxiliary handle

- Position the front/auxiliary handle (C) onto the upper portion of the trimmer section by sliding over the upper tube (J).
- Once the front/auxiliary handle (C) is in the desired position, align the hole on the handle with the hole on the lower bracket (EE), then slide the bolt (CC) through the top of the handle and secure with the fastening knob (BB).
- Tighten until there is no movement in the handle.
- The front handle can be adjusted to a suitable position.

**Note:** Do not overtighten the fastening knob. It could cause the fixed block to break.



### Hardware Used

<b>BB</b>	Fastening Knob		x 1
<b>CC</b>	Bolt		x 1
<b>EE</b>	Lower bracket		x 1

## ASSEMBLY INSTRUCTIONS

### 4. Removing / Installing the cutting line

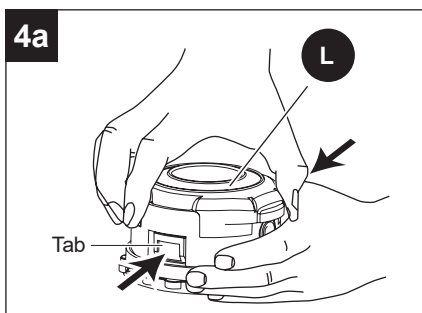
A spool of cutting line is pre-installed on the trimmer. When the cutting line needs replacing, rewind new line onto existing spool.

#### CAUTION

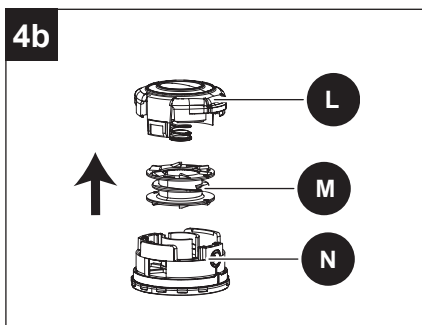
To avoid injury, always remove the batteries before installing the guard, changing a cutting line, or making any adjustments.

#### To remove the cutting line

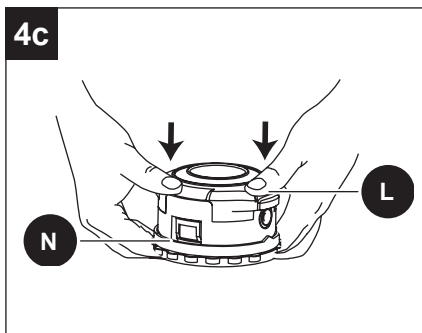
4a. Turn the string trimmer over to access the spool. Remove the spool cover (L) by pressing on the two tabs parallel to each other on the sides of the spool cover.



4b. Remove the spool cover (L), spool (M) from the spool housing (N) and remove any excess line.



4c. Reinstall the spool cover (L) and spool housing (N).

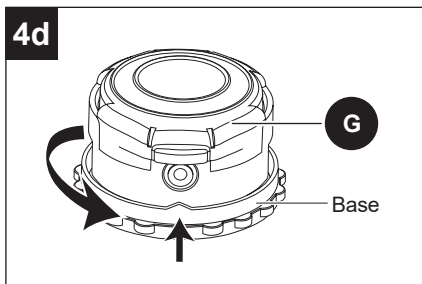


## ASSEMBLY INSTRUCTIONS

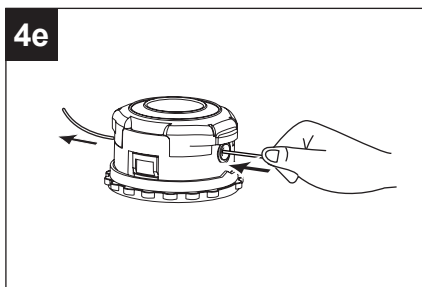
### To Install the cutting line

**Note:** For 0.095 in. (2.4 mm) nylon line, do not put more than 24 feet (7.3 m) of cutting line in at a time.

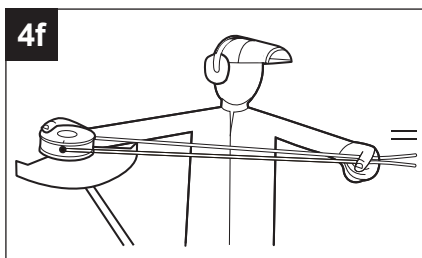
4d. Push and turn the base. Ensure that the slot on the base aligns with the line exit hole on the string trimmer head (G).



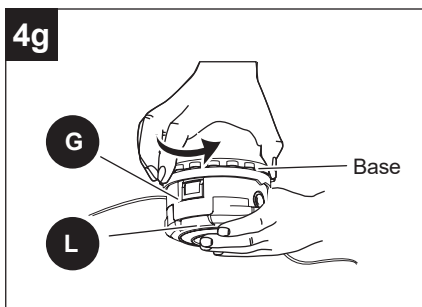
4e. Insert line through the eyelet. Push line until it exits the opposite string head hole.



4f. Pull the line through until there is an equal amount of line on each side.



4g. Hold the spool cover (L) and turn the base counter clockwise to wind the string into the string head (G). Leave approximately 5 inches (13 mm) of string protruding out of each side of the head.

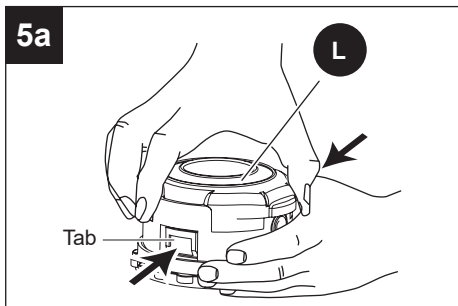


## ASSEMBLY INSTRUCTIONS

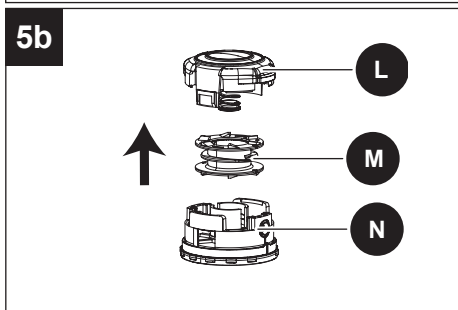
### 5. Replacing the spool

**Note:** For normal use, head disassembly is not necessary. However, if circumstances require disassembly, follow these instructions.

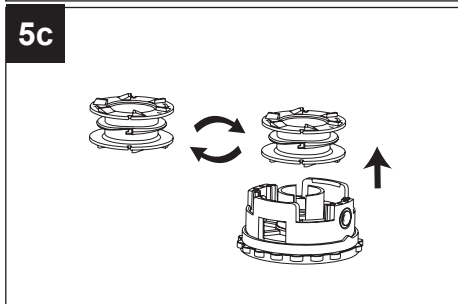
- 5a. Turn the string trimmer over to access the spool. Remove the spool cover (L) by pressing on the two tabs parallel to each other on the sides of the spool cover (L).



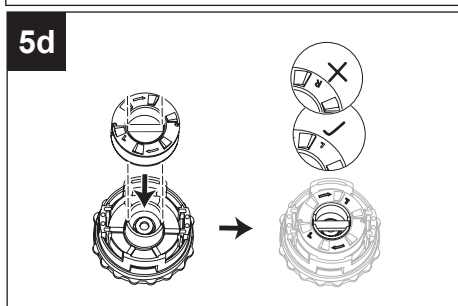
- 5b. Remove the spool cover (L), spool (M) from the spool housing (N) and remove any excess line.



- 5c. Place the new spool onto the spool housing (N), ensuring the crossbar fits into the grooves.



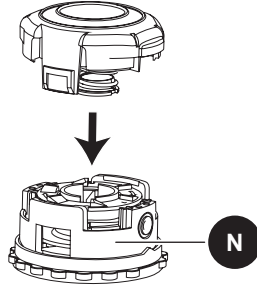
**Note:** The L side of the spool should face outward to be correct.



## ASSEMBLY INSTRUCTIONS

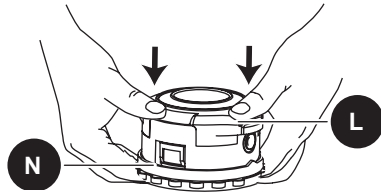
5d. Align the spool tabs with the tab openings on the spool housing (N).

5c



5e. Push the spool cover (L) assembly until it clicks into place.

5d



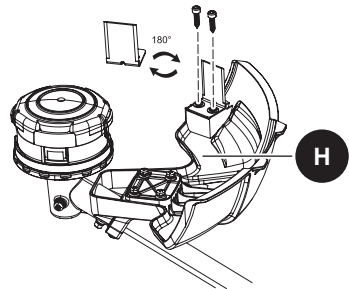
### 6. Adjusting the cutter-off blade

This trimmer is equipped with a line cut-off blade on the guard. Advance line when trimming efficiency diminishes. This will maintain best performance and keep line long enough to advance properly. This trimmer is currently set at the 13 in. (330 mm) cutting swath. To adjust to a cutting swath of 15 in. (381 mm):

- Remove both screws on the cut-off blade (H) with a hex wrench (FF).
- Rotate the cut-off blade 180°.
- Replace both screws in the cut-off blade.

**Note:** Set the cut-off blade to 13 in. (330 mm) for greater runtime. Set the cut-off blade to 15 in. (381 mm) for greater cutting area.

6



### Hardware Used

**FF** Hex Wrench



x 1

## ASSEMBLY INSTRUCTIONS

### 7. Installing / removing the batteries

#### IMPORTANT

The batteries are not charged when they are purchased. Before using the trimmer for the first time, plug the batteries into the provided charger to charge.

#### To install the batteries

- Make sure that the batteries are fully charged.
- Push the batteries into the battery slots. The batteries lock into position when you hear a click.
- Make sure that the batteries are installed securely.

**Note:** The product requires (2) Kobalt 24V batteries for operation.

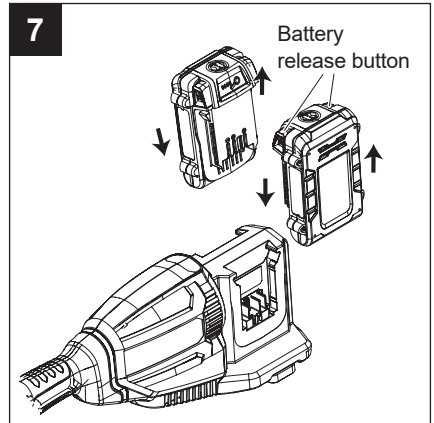
#### To remove the batteries

- Release the trigger.
  - Push the battery release buttons and pull out the batteries to fully stop its operation.
- Note:** The batteries fit into the battery slots snugly in order to prevent accidental dislodging.

#### WARNING

Follow these instructions in order to avoid injury and to reduce the risk of electric shock or fire:

- Replace the battery immediately if the battery case is damaged.
- Verify that the switch is in the OFF position before inserting or removing the batteries.
- Verify that the batteries are removed and the switch is in the OFF position before inspecting, adjusting, or performing maintenance on any part of the string trimmer.



## OPERATING INSTRUCTIONS

### **⚠** WARNING

To avoid injury:

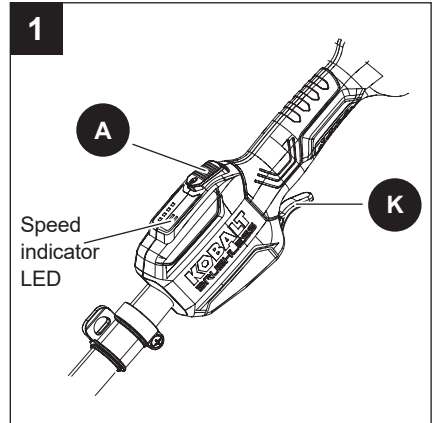
- Do not squeeze the trigger while the grass trimmer is inverted.
- Do not carry the grass trimmer with your finger on the switch. Avoid unintentional starting.

### 1. Starting / stopping the product

- Push the power button (A), then pull the trigger (K) to start. Push the power button (A) to adjust the speed. If two bars are illuminated, it indicates high-speed mode; if a single bar is on, it represents low-speed operation.
- Release the trigger (K) to stop.

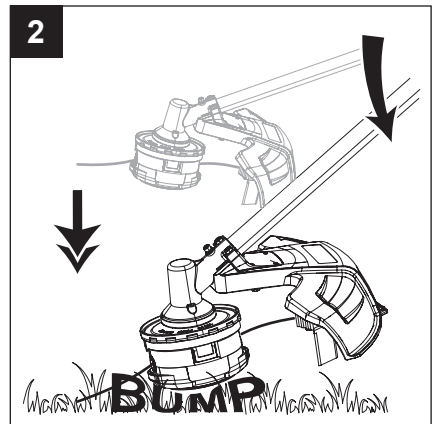
### CAUTION

Always allow 5 seconds or more for the cutting line spool to stop rotating after releasing the trigger. Do not invert the grass trimmer or place your hands under the protective guard until the grass trimmer spool has come to a complete stop.



### 2. Lengthening the line

While the string trimmer is operating, the cutting line gets worn down and becomes shorter. This trimmer is equipped with bump feed line advancement, which advances additional line once the head is bumped on the ground while rotating. The cut-off blade will cut the line to keep an accurate cutting swath.



## OPERATING INSTRUCTIONS

### 3. Trimmer tips

#### Before each use:

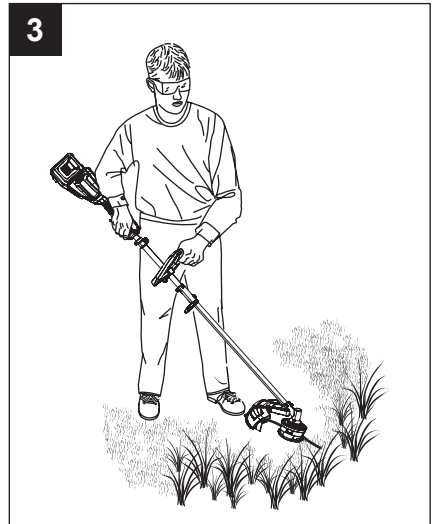
- Make sure the protective guard is tightly installed. If not, tighten the guard screws.
- Before trimming, inspect the area for string, wire, branches or other material that may become entangled in the cutting line and thrown.

#### Storage tips:

- Do not store the grass trimmer in sunlight, in an excessively warm place, or near a furnace.
- The battery life will be shortened.

#### During use:

- Trim only when the grass and weeds are dry.
- Do not trim grass at night. Always make sure you have adequate lighting.
- Hold the grass trimmer by both the switch handle and the auxiliary handle for best control and balance.
- Stand with the cutting head tipped down at an angle in front, guiding the grass trimmer in a semicircular motion around you.
- If possible, guide the grass trimmer to the left to cut. The line will cut as soon as it leaves the guard, and the clippings are thrown away from you.
- To produce a smoothly trimmed area, move the grass trimmer out of the area being cut with consistent speed and height.



- Use only the tip of the cutting line to do the trimming, especially near walls and fences. Trimming with the side of the cutting line may overload the motor, wear out the line faster, and break the line more often.
- Do not rest the trimmer spool on the ground while trimming. This will cause spool wear and battery drain.
- If the grass is higher than 6 in. (15 cm), trim in small stages.
- When the grass trimmer is turned off and the spool stops rotating, the cutting line will relax and may recede. Feed extra cutting line before storing the trimmer to prevent losing the line completely into the spool.
- If the diameter of the cutting area gets smaller, the line is worn down and needs to be advanced more often.
- If the grass trimmer is not cutting correctly, the cutting line may not be feeding properly.
- Remove and rewind the line spool.

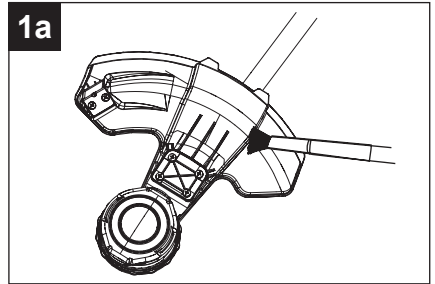
## CARE AND MAINTENANCE

---

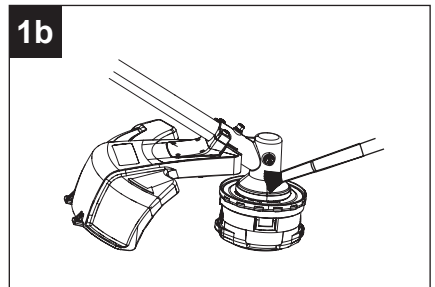
### 1. Trimmer guard and motor maintenance

**Note:** Before performing maintenance, remove battery from the tool.

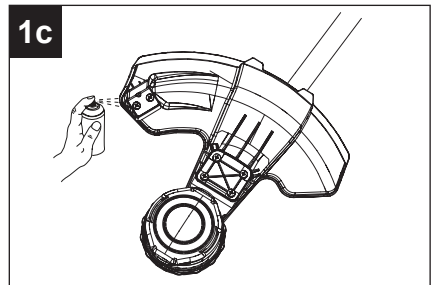
- 1a. Remove dirt and debris from guard using a paint brush (not included).



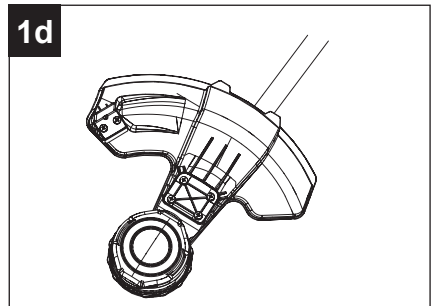
- 1b. Clean dirt and debris off of motor cover and connection joints.



- 1c. Clean line cutter blades by using a wire brush and spraying with an appropriate degreaser.



- 1d. Inspect spool cover and line to ensure that there is an adequate amount of line and that no damage is present on the spool cover.



## TROUBLESHOOTING

If you still have questions or an unresolved issue after going through this troubleshooting guide, or just want to speak to a KOBALT product expert, please call our KOBALT customer service department at **888-356-2258**.

PROBLEM	POSSIBLE CAUSE	CORRECTIVE ACTION
Motor fails to start when switch trigger is depressed.	Batteries are not secure.	To secure the batteries, make sure the latches on the battery compartment snap into place.
	Batteries are not charged.	Charge the batteries according to the instructions included with your model.
	A single battery is installed.	Plug (2) Kobalt 24V batteries.
	Possible wiring or electrical contact problem.	Call <b>888-3KOBALT (888-356-2258)</b> for technical service.
Trimmer smokes during operation.	Trimmer damaged.	Do not use the string trimmer.
String trimmer head will not advance line.	The motor shaft or string trimmer head is bound with grass.	Stop the trimmer, remove the battery, and remove any grass.
	Not enough line in the spool.	Remove the battery and replace the trimmer line. Reference section "Cutting Line" in this manual.
	String trimmer head is dirty.	Remove the battery and clean the spool.
	Line is tangled on the spool.	Remove the battery, remove the line from the spool and rewind.
Line is not cutting well.	The cutting blade on the guard has become dull.	Sharpen the cutting blade with a file or replace it with a new blade.

## WARRANTY

---

### 5-YEAR LIMITED WARRANTY

This KOBALT 24 V × 2 String Trimmer is warranted to the original purchaser from the original purchase date for five (5) years subject to the warranty coverage described herein.

This KOBALT 24 V × 2 String Trimmer is warranted for the original user to be free from defects in material and workmanship.

If you believe that the KOBALT 24 V × 2 String Trimmer is defective at any time during the specified warranty period, simply return the 24 V × 2 String Trimmer along with proof of purchase to the place of purchase for a free replacement or refund, or call **888-3KOBALT (888-356-2258)** for warranty service.

This warranty is void if: defects in materials or workmanship or damages result from repairs or alterations which have been made or attempted by others or the unauthorized use of nonconforming parts; the damage is due to normal wear, damage is due to abuse (including overloading of the tool beyond capacity), improper maintenance, neglect or accident; or the damage is due to the use of the tool after partial failure or use with improper accessories or unauthorized repair or alteration.

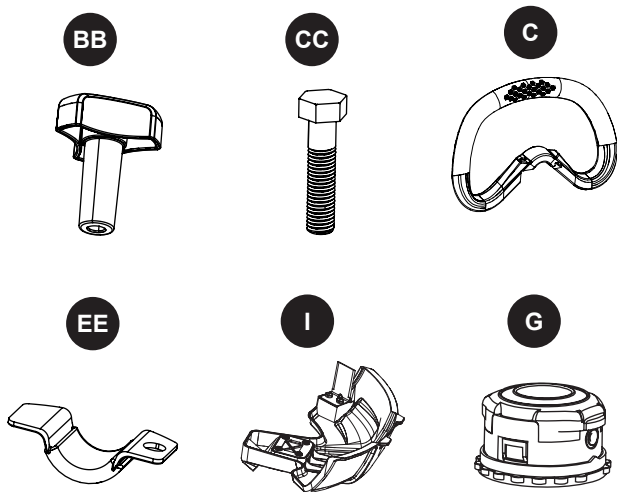
This warranty excludes spool.

This warranty gives you specific legal rights, and you may also have other rights that vary from state to state.

Replacement parts are not covered under warranty.

## REPLACEMENT PARTS LIST

For replacement parts, call our customer service department at **888-356-2258**, 8 a.m. - 8 p.m., EST, Monday - Sunday. You may also contact us at [ascs@lowes.com](mailto:ascs@lowes.com).



PART	DESCRIPTION	PART #
BB	Fastening knob	R0214516-00
CC	Bolt	R0207110-00
C	Front / Auxiliary handle	R0207109-00
EE	Lower bracket	R0202491-00
I	Guard	R0214519-00
G	String trimmer head	R0214881-00

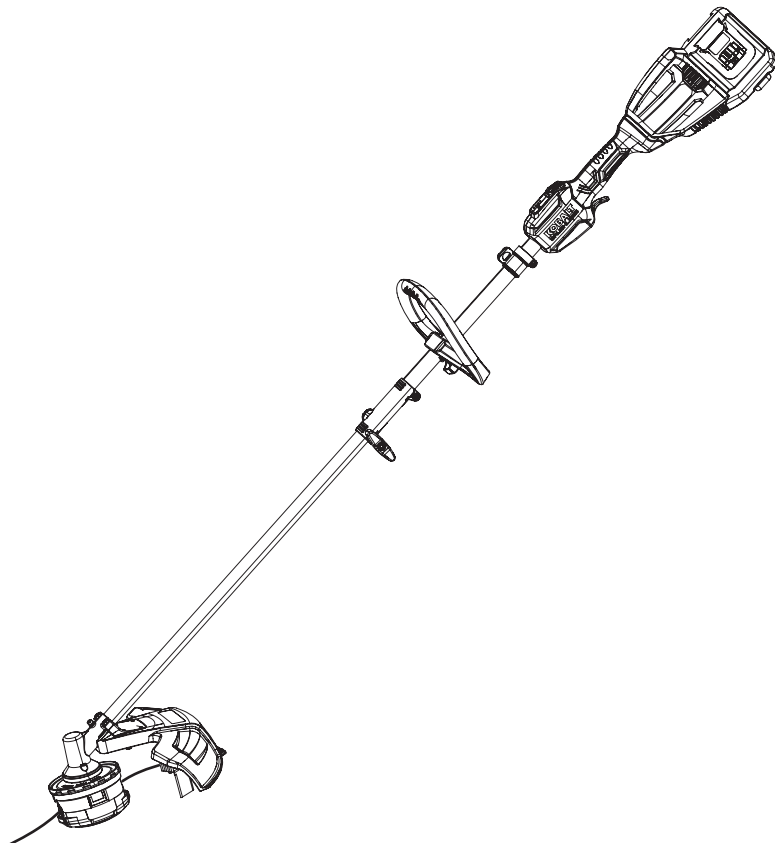


# KOBALT®

KOBALT y el diseño del logotipo son marcas comerciales o marcas registradas de LF, LLC. Todos los derechos reservados.

ARTÍCULO #6036647/7915896  
MODELO #KMS 3248-06/KMS1524-06

## ORILLADORA CON CAPACIDAD PARA ACCESORIOS DE 48V



Número de serie \_\_\_\_\_

Fecha de compra \_\_\_\_\_

Gracias por comprar este producto KOBALT.

¿Preguntas, problemas o piezas faltantes?

Antes de devolver, póngase en contacto con nosotros en:

888-356-2258, de lunes a domingo, de 8 a.m. a 8 p.m., hora estándar del Este, o escriba a [ascs@lowes.com](mailto:ascs@lowes.com).

## ÍNDICE

---

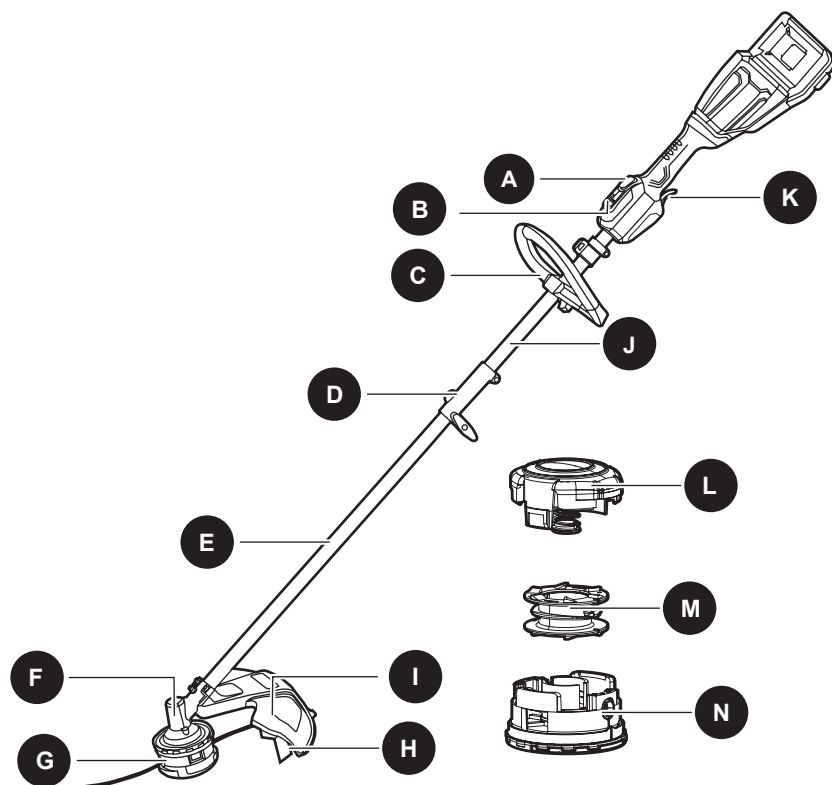
Especificaciones del producto.....	28
Contenido del paquete.....	29
Aditamentos.....	30
Símbolos.....	31
Información de seguridad.....	33
Preparación.....	38
Instrucciones de ensamblaje.....	38
Instrucciones de funcionamiento.....	46
Cuidado y mantenimiento.....	48
Solución de problemas.....	49
Garantía.....	50
Lista de piezas de repuesto.....	51

## ESPECIFICACIONES DEL PRODUCTO

---

ESPECIFICACIONES	
Voltaje	48V CC
Velocidad sin carga	5000/6200 RPM $\pm$ 10%
Línea de corte	38.1 cm (15 pulg.)
Diámetro de hilo	2.41 mm (0.095 pulg.)
Capacidad de corte	Doble hilo

## CONTENIDO DEL PAQUETE



PIEZA	DESCRIPCIÓN	CANTIDAD
A	Botón de encendido	1
B	LED indicador de alimentación	1
C	Mango frontal y auxiliar	1
D	Acoplador	1
E	Tubo inferior	1
F	Caja de velocidades	1
G	Cabezal de hilo	1
H	Cuchilla de corte	1
I	Protector	1

PIEZA	DESCRIPCIÓN	CANTIDAD
J	Tubo superior	1
K	Gatillo	1
L	Cubierta del carrete	1
M	Carrete	1
N	Carcasa del carrete	1

**ADITAMENTOS** (no se muestran a escala)

---

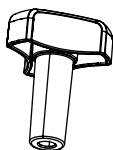
**AA**



Tornillo  
(preensamblada en el protector (L))

Cant. 4

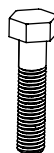
**BB**



Perilla de  
sujeción

Cant. 1

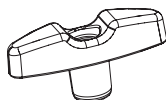
**CC**



Perno

Cant. 1

**DD**



Perilla

Cant. 1

**EE**



Bloque fijo

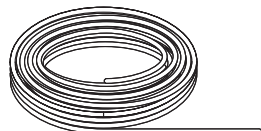
Cant. 1

**FF**



Llave hexagonal

Cant. 1



$\varnothing = 2.4 \text{ mm (0.095 \text{ pulg.})}$

Línea de corte  
(3.96 m, 13 pies)

Cant. 1




## SÍMBOLOS

Algunos de los siguientes símbolos pueden aplicarse al uso de este producto. Obsérvelos y aprenda su significado. La interpretación correcta de estos símbolos le permitirá utilizar el producto de manera eficaz y segura.


SÍMBOLOS	EXPLICACIÓN
	Indica que existe el riesgo de que se produzcan lesiones personales.
	Para reducir el riesgo de lesiones, el usuario debe leer el manual de instrucciones.
	Use protección para los ojos y los oídos.
	No lo exponga a la lluvia.
	Tenga cuidado con objetos que podrían salir disparados.
	La distancia entre el producto y los transeúntes debe ser de al menos 15.24 m (50 pies).
	No utilice cuchillas de metal.
	Desconecte la batería antes de realizar mantenimiento.

## SÍMBOLOS

Se usan las siguientes indicaciones y sus significados para explicar los niveles de riesgo asociados a este producto.

SÍMBOLOS	INDICACIÓN	SIGNIFICADO
	PELIGRO	Indica una situación de peligro inminente que, de no evitarse, ocasionará la muerte o lesiones graves.
	ADVERTENCIA	Indica una situación potencialmente peligrosa que, de no evitarse, puede ocasionar la muerte o lesiones graves.
	PRECAUCIÓN	Indica una situación potencialmente peligrosa que, de no evitarse, puede ocasionar lesiones menores o moderadas.
	PRECAUCIÓN	(Sin símbolo de alerta de seguridad) Indica una situación que puede ocasionar daños materiales.

### ADVERTENCIA

- Para evitar lesiones personales graves, no intente usar este producto hasta que haya leído y comprendido completamente este manual del propietario. Si no comprende las advertencias e instrucciones de este manual del propietario, no utilice este producto. Llame al **888-356-2258** para obtener ayuda.
-  La operación de cualquier producto puede provocar que objetos extraños salten a sus ojos y, de esta manera, se causen graves daños oculares. Antes de operar un producto, use siempre lentes o gafas de seguridad con protecciones laterales y un protector facial cuando sea necesario. Se recomienda una máscara de seguridad de visión amplia sobre los lentes o las gafas de seguridad estándar con protección lateral. Siempre use lentes de protección que cumplan con la norma ANSI Z87.1.

**GUARDE ESTAS INSTRUCCIONES**

## INFORMACIÓN DE SEGURIDAD

---

Lea y comprenda completamente este manual antes de intentar ensamblar, usar o instalar el producto.

### Advertencias de seguridad general para el producto

#### ADVERTENCIA

Lea todas las advertencias de seguridad, instrucciones, imágenes y especificaciones que se incluyen con este producto. No seguir todas las instrucciones que se detallan a continuación podría provocar choques eléctricos, incendios o lesiones graves.

**Guarde todas las advertencias e instrucciones para referencia futura.**

El término “producto” que aparece en las advertencias se refiere al producto que se conecta a la línea principal (con cable) o al producto que funciona con BATERÍA (inalámbrico).

#### 1) Seguridad en el área de trabajo

- a) **Mantenga el área de trabajo limpia y bien iluminada.** *Las áreas desordenadas u oscuras aumentan las posibilidades de accidentes.*
- b) **No utilice productos en atmósferas en las que exista riesgo de explosión, como por ejemplo en presencia de líquidos, gases o polvo inflamables.** *Los productos producen chispas que podrían encender el polvo o el humo.*
- c) **Mantenga a los niños y espectadores alejados durante la operación de un producto.** *Las distracciones pueden provocar que pierda el control.*

#### 2) Seguridad eléctrica

- a) **Los enchufes del producto deben encajar en el tomacorriente. Nunca modifique el enchufe de ningún modo. No utilice ningún enchufe adaptador con productos con puesta a tierra.** *Los enchufes sin modificaciones y que encajan en los tomacorrientes reducen el riesgo de descarga eléctrica.*
- b) **Evite el contacto del cuerpo con superficies conectadas a tierra, como tuberías, radiadores, extractores o refrigeradores.** *Si su cuerpo tiene conexión a tierra, existe un riesgo mayor de sufrir una descarga eléctrica.*
- c) **No exponga los productos a la lluvia ni a condiciones de humedad.** *Si ingresa agua en un producto, aumentará el riesgo de descarga eléctrica.*
- d) **No maltrate el cable. Nunca use el cable para transportar, jalar o desenchufar el producto. Mantenga el cable alejado del calor, el aceite, los bordes filosos o las piezas en movimiento.** *Los cables dañados o enredados aumentan el riesgo de descarga eléctrica.*
- e) **Si opera un producto en exteriores, use una extensión eléctrica apropiada para su uso en exteriores.** *El uso de un cable apto para exteriores reduce el riesgo de sufrir una descarga eléctrica.*
- f) **Si es inevitable utilizar un producto en un lugar húmedo, use un suministro protegido con un dispositivo de corriente residual (RCD, por sus siglas en inglés).** *El uso de un RCD disminuye el riesgo de descargas eléctricas.*

#### 3) Seguridad personal

- a) **Manténgase alerta, preste atención a lo que hace y utilice el sentido común cuando utilice un producto. No utilice un producto si está cansado o bajo los efectos de drogas, alcohol o medicamentos.** *Un momento de desatención mientras opera productos puede provocar lesiones personales graves.*
- b) **Use un equipo de protección personal. Siempre use lentes de protección.** *Los equipos de protección, como mascarillas antipolvo, zapatos de seguridad antideslizantes, casco protector o protección auditiva utilizados para las condiciones adecuadas disminuyen las lesiones personales.*

- c) **Evite un arranque accidental. Asegúrese de que el interruptor esté en la posición de apagado antes de conectar la fuente o la batería, levantar o transportar el producto.** *Transportar productos con el dedo en el interruptor o enchufarlos con el interruptor encendido aumenta las posibilidades de accidentes.*
- d) **Retire todas las llaves de ajuste o llaves inglesas antes de encender el producto.** *Si se deja una llave conectada a una pieza giratoria del producto, se podrían producir lesiones personales.*
- e) **No se extienda demasiado. Mantenga una postura y un equilibrio adecuados en todo momento.** *Esto permite un mejor control del producto en situaciones inesperadas.*
- f) **Use ropa adecuada. No use ropa holgada ni joyas. Mantenga el cabello y la ropa alejados de las piezas en movimiento.** *La ropa holgada, las joyas o el cabello largo pueden quedar atrapados en las piezas en movimiento.*
- g) **Si se proporcionan dispositivos para la conexión de instalaciones de extracción y recolección de polvo, asegúrese de que se conecten y se usen debidamente.** *La recolección de polvo puede disminuir los peligros relacionados.*
- h) **No permita que la familiaridad del uso frecuente de los productos lo haga no tener en cuenta los principios de seguridad en el manejo de las herramientas.** *Un descuido puede ocasionar una lesión grave en cuestión de segundos.*

#### 4) Uso y cuidado del producto

- a) **No fuerce el producto. Utilice el producto adecuado para su aplicación.** *Un producto correcto hará un trabajo mejor y más seguro con un rendimiento para el cual se diseñó.*
- b) **No utilice el producto si el interruptor no enciende o apaga.** *Cualquier producto que no pueda controlarse con el interruptor es peligroso y debe repararse.*
- c) **Desconecte el enchufe de la fuente de energía y/o retire el paquete de baterías, si es desmontable, del producto antes de realizar ajustes, cambiar accesorios o almacenar el producto.** *Este tipo de medidas de seguridad preventivas reducen el riesgo de que el producto se encienda accidentalmente.*
- d) **Almacene los productos que no estén en uso fuera del alcance de los niños y no permita que las personas no familiarizadas con el producto o estas instrucciones lo operen.** *Los productos son peligrosos en manos de usuarios sin capacitación.*
- e) **Mantenga el producto y los accesorios. Verifique si existen desalineaciones o atascamientos de las piezas móviles, roturas de componentes y cualquier otra condición que pueda afectar el funcionamiento del producto. Si está dañado, haga reparar el producto antes de usarlo.** *Muchos accidentes son causados por productos con mantenimiento deficiente.*
- f) **Mantenga las herramientas de corte afiladas y limpias.** *Las herramientas de corte con mantenimiento adecuado y bordes de corte afilados son menos propensas a trabarse y más fáciles de controlar.*
- g) **Use el producto, los accesorios, las brocas, etc. de acuerdo con estas instrucciones y considere las condiciones de operación y el trabajo que desea realizar.** *El uso del producto en operaciones distintas para las que se diseñó podría crear una situación de peligro.*
- h) **Mantenga los mangos y las superficies de agarre secos, limpios y sin aceite ni grasa.** *Los mangos y las superficies de agarre resbaladizos no permiten manipular ni controlar la herramienta de forma segura en caso de que se produzcan situaciones inesperadas.*

#### 5) Uso y cuidado de herramientas con batería

- a) **Recargue el paquete de baterías solo con el cargador especificado por el fabricante.** *Un cargador adecuado para un tipo de paquete de baterías puede generar un riesgo de incendio cuando se usa con otro paquete de baterías.*
- b) **Use productos solo con paquetes de baterías designados específicamente.** *El uso de cualquier otro paquete de baterías puede crear un riesgo de lesión e incendio.*

- c) Cuando el paquete de baterías no está en uso, aléjelo de objetos metálicos, como sujetapapeles, monedas, llaves, clavos, tornillos u otros objetos metálicos pequeños que pudieran crear una conexión entre los terminales.** *Es posible que conectar los terminales de la batería entre sí produzca quemaduras o un incendio.*
- d) En condiciones de maltrato, es posible que salga líquido de la batería. Evite el contacto. Si entra en contacto por accidente, enjuague la zona comprometida con agua. Si el líquido entra en contacto con los ojos, busque atención médica adicional.** *El líquido que sale de la batería puede provocar irritación o quemaduras.*
- e) No use un paquete de baterías ni el producto si están dañados o modificados.** *Las baterías dañadas o modificadas pueden tener una conducta impredecible que podría provocar incendios, explosiones o riesgo de lesiones.*
- f) No exponga el paquete de baterías ni el producto al fuego o a temperaturas excesivas.** *La exposición al fuego o a temperaturas por encima de los 130°C (265 °F) puede causar una explosión.*
- g) Siga todas las instrucciones de carga y no cargue el paquete de baterías o el producto fuera del rango de temperatura especificado en las instrucciones.** *La carga inadecuada o a temperaturas fuera del rango especificado podría dañar la batería y aumentar el riesgo de incendio.*

- Use solo baterías KOBALT de 24 voltios. (KB 224-03, KB 224-06, KB 324-06, KB 424-03, KXB 424-03, KB 424A-06, KB 424-06, KB 524-06, KB 524-03, KB 624-03, KB 624-06, KXB 824-03, KB 824-06).
- Use solo un cargador KOBALT de 24 voltios. (KRC 2445-03, KCH 2401-03, KDPC 124-03, KRC 2490-03, KCH 2411-03, KRC 2404-03, KCH 324-06, KCH 624-06, KCH 1024-06, KCH 1424-06).
- Rango de temperatura ambiente:
  - Rango de la temperatura de almacenaje de la orilladora: -20 °C (-4 °F) a 70 °C (158 °F)
  - Rango de la temperatura de funcionamiento de la orilladora: -20 °C (-4 °F) a 40 °C (104 °F)
  - Rango de temperatura de carga de la batería: 4 °C (39 °F) a 40 °C (104 °F)
  - Rango de temperatura de funcionamiento del cargador: 4 °C (39 °F) a 45 °C (113 °F)
  - Rango de temperatura de almacenamiento de la batería: 1 año: 0 °C (32 °F) a 23 °C (73 °F)  
3 meses: 0 °C (32 °F) a 45 °C (113 °F)  
1 mes: 0 °C (32 °F) a 60 °C (140 °F)
  - Rango de temperatura de descarga de la batería: -14 °C (6.8 °F) a 45 °C (113 °F)

### 6) Reparación

- a) Permita que solo una persona capacitada repare el producto, mediante el uso solo de piezas de repuesto idénticas.** *Esto mantendrá la seguridad del producto.*
- b) Nunca realice mantenimiento a los paquetes de baterías.** *Solo el fabricante o proveedores de servicio autorizados pueden realizar el mantenimiento de los paquetes de baterías.*

### Advertencias de seguridad sobre la orilladora para césped

- a) No use el producto en condiciones de mal tiempo, especialmente cuando hay riesgo de tormenta eléctrica.** *Esto disminuirá el riesgo de que le caiga un rayo.*
- b) Inspeccione minuciosamente el área donde se utilizará el producto en busca de vida silvestre.** *La fauna silvestre puede resultar herida por el producto durante su funcionamiento.*
- c) Inspeccione minuciosamente el área donde se utilizará el producto y retire las piedras, ramas, cables, huesos y cualquier otro objeto extraño que encuentre.** *Los objetos que lance la máquina pueden ocasionar lesiones personales.*
- d) Antes de usar el producto, siempre realice una inspección visual para comprobar que el cortador o la hoja no estén dañados.** *Las piezas dañadas aumentan el riesgo de lesiones.*

- f) Siga las instrucciones para reemplazar accesorios.** *Si las tuercas o los pernos de fijación de la hoja no están bien apretados, pueden dañar la hoja o hacer que se desprenda.*
- g) La velocidad de rotación recomendada de la hoja debe ser, al menos, igual a la velocidad de rotación máxima que se indica en el producto.** *Las hojas que funcionen por sobre el rango de velocidad de rotación recomendado pueden romperse y desprenderse.*
- h) Use protección para los ojos, las orejas, la cabeza y las manos.** *El equipo protector adecuado reducirá las lesiones personales por desechos eyectados o por el contacto accidental con la línea de corte o la hoja.*
- i) Mientras utilice el producto, utilice siempre calzado protector antideslizante.** *No use el producto estando descalzo o al usar sandalias abiertas. Esto reduce la posibilidad de lesiones en los pies por el contacto con los cortadores o hilos en movimiento.*
- j) Al operar el producto, utilice siempre calzado de seguridad. No use el producto estando descalzo o al usar sandalias abiertas.** *Esto reduce la posibilidad de lesiones en los pies por el contacto con un cortador, una línea o una cuchilla en movimiento.*
- k) Durante el funcionamiento del producto, use siempre pantalones largos.** *La piel expuesta aumenta la probabilidad de lesiones causadas por objetos arrojados.*
- l) Mantenga alejados a los transeúntes mientras utiliza el producto.** *Los desechos eyectados pueden ocasionar lesiones personales graves.*
- m) Utilice siempre ambas manos al operar el producto.** *Si sostiene el producto con ambas manos evitará la pérdida de control.*
- n) Sujete el producto solo por las superficies de agarre aisladas, ya que la línea de corte o la hoja pueden entrar en contacto con cables ocultos.** *El contacto de la línea de corte o de las cuchillas con un cable "energizado" puede hacer que las piezas metálicas expuestas del producto queden energizadas y podrían provocar una descarga eléctrica al operador.*
- o) Mantenga una posición de pies adecuada en todo momento y utilice el producto solo cuando esté parado.** *Las superficies resbalosas o inestables pueden provocar una pérdida de equilibrio o control del producto.*
- p) No opere el producto en pendientes excesivamente pronunciadas.** *Esto reduce el riesgo de pérdida de control, resbalones y caídas que pueden provocar lesiones personales.*
- q) Cuando trabaje en pendientes, asegúrese siempre de pisar fuerte, trabaje siempre de frente a las pendientes, nunca hacia arriba o hacia abajo, y tenga mucho cuidado al cambiar de dirección.** *Esto reduce el riesgo de pérdida de control, resbalones y caídas que pueden provocar lesiones personales.*
- s) Mantenga todas las partes del cuerpo alejadas del cortador, de la línea de corte y de la hoja mientras el producto esté en funcionamiento. Antes de arrancar el producto, asegúrese de que el cortador, la línea de corte y la hoja no estén en contacto con nada.** *Un momento de desatención mientras opera el producto puede provocar lesiones a usted o a otras personas.*
- t) No utilice el producto por encima de la altura de la cintura.** *Esto ayuda a evitar el contacto involuntario con el cortador o la cuchilla y permite un mejor control del producto en situaciones inesperadas.*
- u) Al cortar malezas o árboles jóvenes que estén bajo tensión, esté atento a los retrocesos bruscos.** *Cuando la tensión de las fibras de la madera se libera, es posible que las malezas o los árboles jóvenes golpeen al operador o hagan perder el control del producto.*
- v) Tenga mucho cuidado cuando corte maleza y árboles jóvenes.** *El material delgado puede atrapar la hoja y arrojarla hacia usted, o bien puede hacerle perder el equilibrio.*
- w) Mantenga el control del producto y no toque los cortadores, las líneas o las cuchillas, ni otras piezas móviles peligrosas mientras estén en movimiento.** *Esto reduce el riesgo de lesiones por las piezas móviles.*
- y) Transporte el producto estando apagado y lejos del cuerpo.** *El manejo adecuado del producto reducirá la probabilidad de un contacto accidental con un cortador, una línea o una cuchilla en movimiento.*

## INFORMACIÓN DE SEGURIDAD

---

**aa) Utilice únicamente cortadores, líneas de corte, cabezales de corte y cuchillas de repuesto especificados por el fabricante.** *Las piezas de repuesto incorrectas pueden aumentar el riesgo de rotura y lesiones.*

**bb) Cuando limpie el material atascado o realice el mantenimiento de la máquina, asegúrese de que el interruptor esté apagado y de que el paquete de baterías se haya retirado.** *El arranque inesperado de la máquina mientras se limpia el material atascado o se realiza el mantenimiento puede provocar lesiones personales graves.*

### **Seguridad infantil**

Pueden ocurrir accidentes trágicos si el operador no está atento a la presencia de niños.

- Mantenga a los niños fuera del área de trabajo y bajo estricta vigilancia de un adulto responsable.
- No permita que niños menores de 14 años usen esta orilladora. Los niños de 14 años o más deben leer y comprender las instrucciones de funcionamiento y las normas de seguridad en este manual, además de recibir capacitación y supervisión por parte de sus padres.
- Esté alerta y apague la orilladora si un niño o cualquier otra persona ingresan al área de trabajo.
- Antes y mientras se está moviendo hacia atrás, mire hacia abajo y hacia atrás para verificar que no haya niños.
- Tenga extremo cuidado cuando se acerque a esquinas ciegas, entradas de puertas, arbustos, árboles u otros objetos que puedan bloquearle la vista de un niño que pudiera correr hacia la orilladora.

### ADVERTENCIA (PROPUESTA 65)

Parte del polvo causado por el lijado eléctrico, el serruchado, la trituración, el taladrado y otras actividades de la construcción contienen productos químicos que causan cáncer, defectos congénitos u otros daños en el aparato reproductivo. Algunos ejemplos de estos productos químicos son:

- Plomo de pinturas a base de plomo.
- Sílice cristalina de ladrillos, cemento y otros productos de mampostería, y
- Arsénico y cromo de madera tratada con químicos.

El riesgo que corre debido a la exposición a estos productos químicos varía según la frecuencia con que realiza este tipo de trabajo. Para reducir su exposición a estos productos químicos, trabaje en un área bien ventilada y utilice un equipo de seguridad aprobado, como las mascarillas antipolvo especialmente diseñadas para filtrar estas partículas microscópicas.

### **SERVICIO**

El mantenimiento requiere sumo cuidado y conocimiento, y solo un técnico de servicio calificado debe realizarlo. Para realizar el mantenimiento, le recomendamos llevar el producto al DEPARTAMENTO DE SERVICIO AUTORIZADO más cercano para su reparación. Al realizar mantenimiento, utilice solo piezas de repuesto idénticas.

**GUARDE ESTAS INSTRUCCIONES**

## PREPARACIÓN

Antes de comenzar a ensamblar el producto, asegúrese de tener todas las piezas. Compare las piezas con la lista del contenido del paquete y la lista de aditamentos. No intente ensamblar el producto si falta alguna pieza o si estas están dañadas.

**Tiempo estimado de ensamblaje: 5 a 10 minutos**

Herramientas necesarias para el ensamblaje (no se incluyen): destornillador Phillips

## INSTRUCCIONES DE ENSAMBLAJE

### ⚠ ADVERTENCIA

Para evitar lesiones y disminuir el riesgo de descargas eléctricas o incendio:

- Reemplace inmediatamente la batería o el cargador si la funda de la batería o el cable del cargador están dañados.
- Siempre asegúrese de que el interruptor de la orilladora esté apagado antes de insertar o retirar las baterías.
- Asegúrese siempre de retirar las baterías y de que el interruptor esté apagado antes de inspeccionar, ajustar o dar mantenimiento a cualquier pieza de la orilladora.
- Lea, comprenda y siga las instrucciones del cargador de la batería.

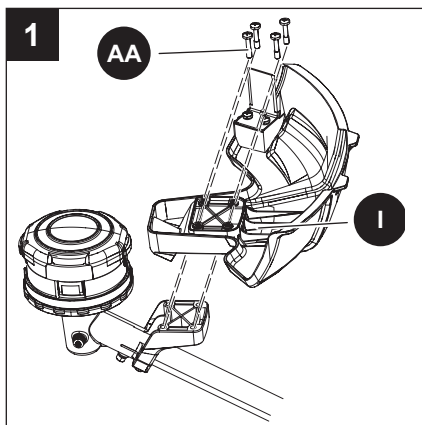
### 1. Instalación del protector

#### PRECAUCIÓN

Para evitar lesiones, retire siempre las baterías antes de instalar el protector, cambiar un hilo de corte o realizar cualquier ajuste. Si el protector está dañado, no utilice la orilladora hasta reemplazarlo.

**Nota:** instale el protector antes de operar la orilladora. No se debe retirar ni desmontar.

- Invierta la orilladora para acceder al cabezal de la orilladora.
- Con un destornillador Phillips (no incluido), retire los tornillos preinstalados (AA) del protector de la orilladora.
- Coloque el protector (I) en el eje.
- Alinee los orificios para tornillos del protector (I) con los orificios para tornillos del cabezal en el eje.
- Inserte los tornillos (AA) en el eje y apriete para asegurar el protector (I) en su lugar.



#### Aditamentos utilizados

AA Tornillo

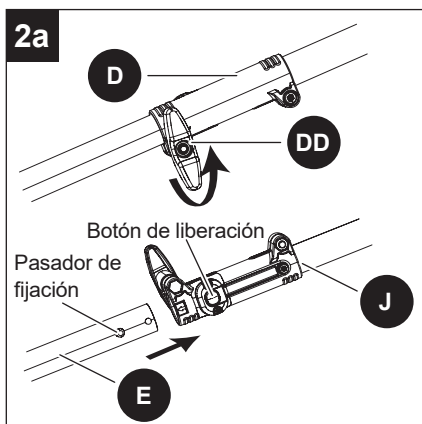


x 4

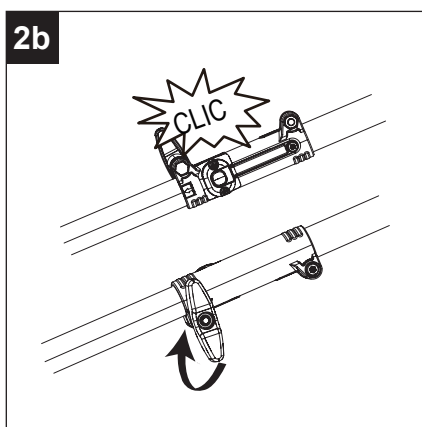
## INSTRUCCIONES DE ENSAMBLAJE

### 2. Conexión de los tubos superior e inferior de la orilladora

- Afloje la perilla (DD) en el acoplador (D).
- Presione el pasador de fijación en el tubo inferior (E).
- Alinee el pasador de fijación con el botón de liberación en el tubo superior (J) y deslice los dos tubos juntos.
- Gire el tubo inferior (E) hasta que el pasador de fijación se trabe en el botón de liberación.



- Apriete la perilla.



### Aditamentos utilizados

**DD** Perilla



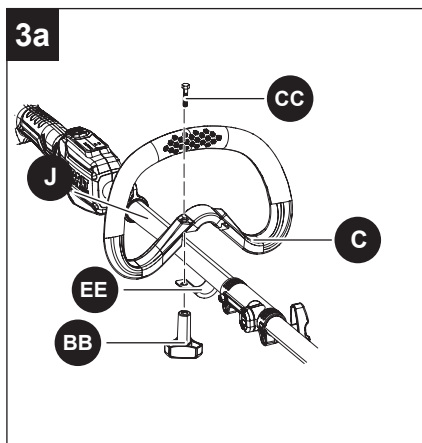
## ⚠ ADVERTENCIA

Para evitar lesiones, ajuste el mango auxiliar para obtener un equilibrio y un control óptimos. No se incline demasiado cuando opere la orilladora. Mantenga el equilibrio todo el tiempo para controlar mejor la herramienta en situaciones inesperadas.




### 3. Instalación del mango frontal y auxiliar

- Coloque el mango delantero/auxiliar (C) en la porción superior de la sección de la orilladora al deslizarla sobre el tubo superior (J).
- Una vez que el mango delantero/auxiliar (C) esté en la posición deseada, alinee el orificio en el mango con el orificio en la abrazadera inferior (EE), luego deslice el perno (CC) a través de la parte superior del mango y asegúrelo con la perilla de sujeción (BB).
- Apriete hasta que no haya movimiento en el mango.
- El mango frontal se puede ajustar a una posición adecuada.

**Nota:** no apriete demasiado la perilla de sujeción, podría hacer que el bloque fijo se rompa.



### Aditamentos utilizados

<b>BB</b>	Perilla de sujeción		x 1
<b>CC</b>	Perno		x 1
<b>EE</b>	Bloque fijo		x 1

### 4. Retiro e instalación del hilo de corte

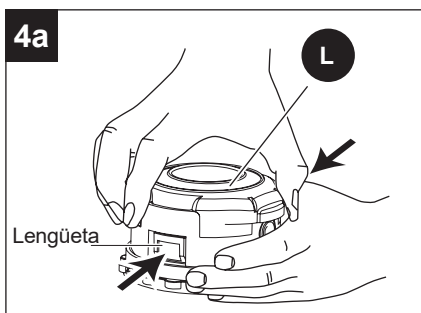
Se ha instalado previamente un carrete de hilo de corte en la orilladora. Cuando los hilos de corte requieran reemplazo, rebobine el hilo nuevo en el carrete existente.

#### PRECAUCIÓN

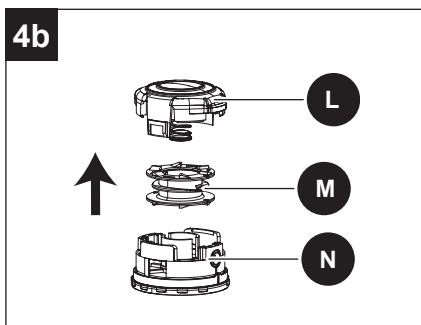
Para evitar lesiones, retire siempre las baterías antes de instalar el protector, cambiar un hilo de corte o realizar cualquier ajuste.

#### Para retirar el hilo de corte

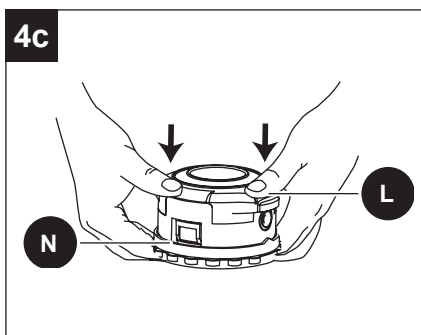
4a. Dé vuelta la orilladora para acceder al carrete. Retire la cubierta del carrete (L) al presionar las dos lengüetas paralelas entre sí en los lados de la cubierta del carrete.



4b. Retire la cubierta del carrete (L) y el carrete (M) de la carcasa del carrete (N) y retire el exceso de hilo.



4c. Vuelva a instalar la cubierta del carrete (L) y la carcasa del carrete (N).

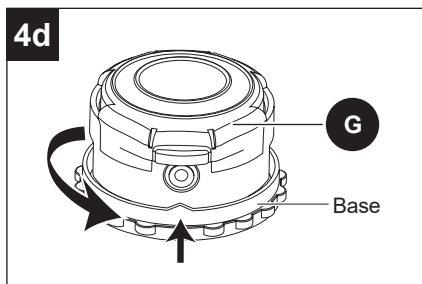


## INSTRUCCIONES DE ENSAMBLAJE

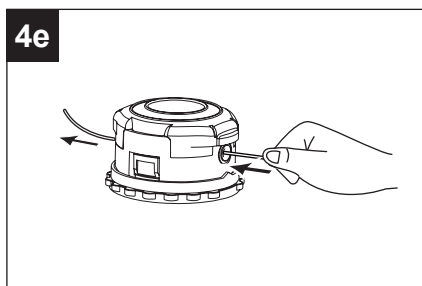
### Para instalar el hilo de corte

**Nota:** para una línea de nailon de 2.41 mm (0.095 pulg.), no coloque más de 7.31 m (24 pies) de línea de corte a la vez.

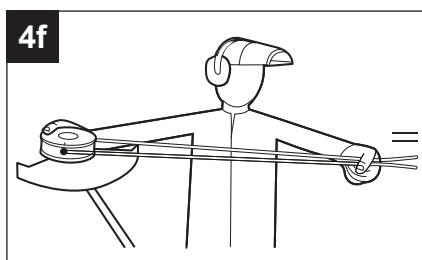
4d. Empuje y gire la base. Asegúrese de que la ranura en la base esté alineada con el orificio de salida del hilo en el cabezal de la orilladora (G).



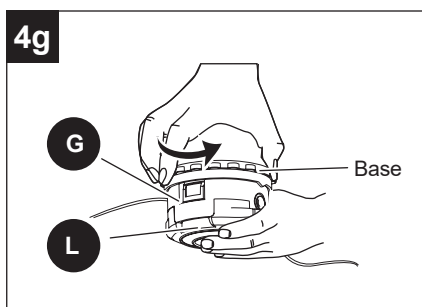
4e. Inserte el hilo a través del ojal. Empuje el hilo hasta que salga por el orificio opuesto del cabezal de hilo.



4f. Jale el hilo hasta que haya una cantidad igual de hilo a cada lado.



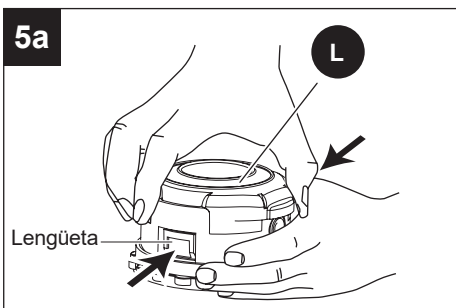
4g. Sostenga la cubierta del carrete (L) y gire la base en dirección contraria a las manecillas del reloj para enrollar el hilo en el cabezal del hilo (G). Deje aproximadamente 12.7 cm (5 pulg.) de hilo que sobresalga de cada lado del cabezal.



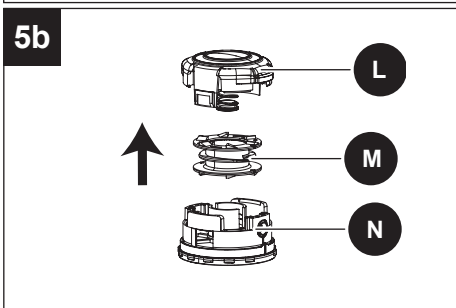
### 5. Reemplazo del carrete

**Nota:** para un uso normal, no es necesario desmontar el cabezal. Sin embargo, si las circunstancias requieren el desmontaje, siga estas instrucciones.

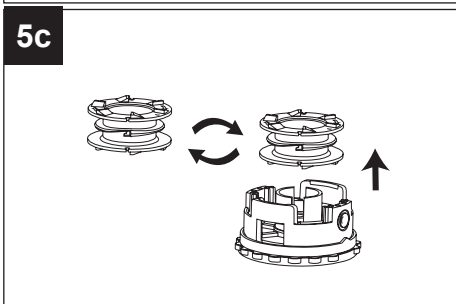
5a. Dé vuelta la orilladora para acceder al carrete.  
Retire la cubierta del carrete (L) al presionar las dos lengüetas paralelas entre sí en los lados de la cubierta del carrete (L).



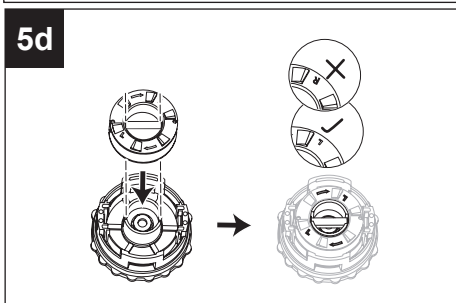
5b. Retire la cubierta del carrete (L) y el carrete (M) de la carcasa del carrete (N) y retire el exceso de hilo.



5c. Coloque el nuevo carrete en la carcasa del carrete (N) y asegúrese de que la barra transversal encaje en las ranuras.

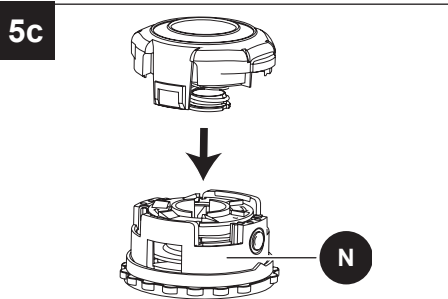


**Nota:** el lado L del carrete debe mirar hacia afuera para que esté correcto.

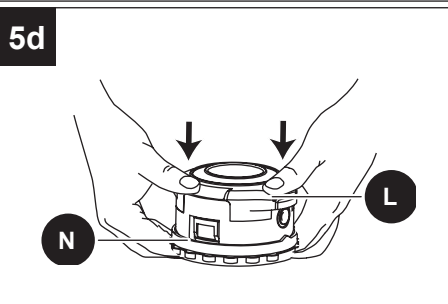


## INSTRUCCIONES DE ENSAMBLAJE

5d. Alinee las pestañas del carrete con las aberturas de la pestaña en la carcasa del carrete (N).



5e. Empuje el ensamble de la cubierta del carrete (L) hasta que encaje en su lugar.

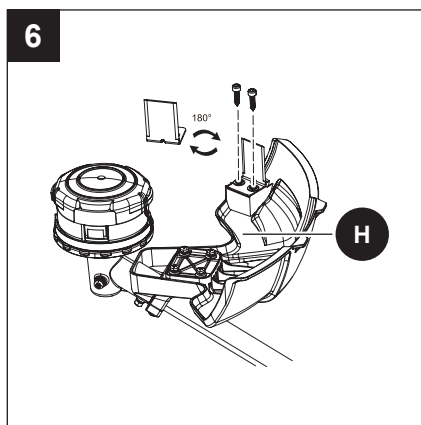


### 6. Ajuste de la cuchilla de corte

Esta orilladora está equipada con una cuchilla de corte de hilo en el protector. Haga avanzar el hilo cuando disminuya la eficiencia de corte. Esto mantendrá el mejor rendimiento y mantendrá el hilo lo suficientemente largo para avanzar correctamente. Esta orilladora está actualmente configurada en una amplitud de corte de 33.02 cm (13 pulg.). Para ajustarse a una amplitud de corte de 38.1 cm (15 pulg.):

- Retire ambos tornillos de la cuchilla de corte (H) con un llave hexagonal (FF).
- Gire la cuchilla de corte 180°.
- Vuelva a colocar ambos tornillos en la cuchilla de corte.

**Nota:** ajuste la cuchilla de corte a 33.02 cm (13 pulg.) para obtener un mayor tiempo de funcionamiento. Ajuste la cuchilla de corte a 38.1 cm (15 pulg.) para obtener una mayor área de corte.



### Aditamentos utilizados



### 7. Instalación y remoción de las baterías

#### IMPORTANTE

Las baterías no vienen cargadas cuando se compran. Antes de usar la orilladora por primera vez, inserte las baterías en el cargador proporcionado para cargarlas.

#### Para instalar las baterías

- Asegúrese de que las baterías estén completamente cargadas.
- Empuje las baterías en las ranuras de las baterías. Las baterías se bloquean en su posición cuando escucha un clic.
- Asegúrese de que las baterías están instaladas de forma segura.

**Nota:** el producto requiere (2) baterías Kobalt de 24V para su funcionamiento.

#### Para retirar las baterías

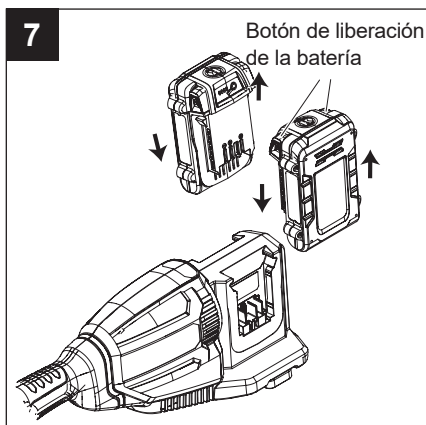
- Suelte el gatillo.
- Presione los botones de liberación de las baterías y extraiga las baterías para detener completamente su funcionamiento.

**Nota:** las baterías encajan en las ranuras para las baterías con firmeza, de modo que se evite el desprendimiento accidental.

#### ADVERTENCIA

Siga estas instrucciones para evitar lesiones y reducir el riesgo de descarga eléctrica o incendio:

- Reemplace las baterías inmediatamente si la funda de la batería está dañada.
- Verifique que el interruptor esté en la posición de apagado antes de insertar o retirar las baterías.
- Verifique que haya retirado las baterías y que el interruptor esté en la posición de apagado antes de inspeccionar, ajustar o realizar mantenimiento en cualquier pieza de la orilladora.





### 3. Consejos de la orilladora

#### Antes de cada uso:

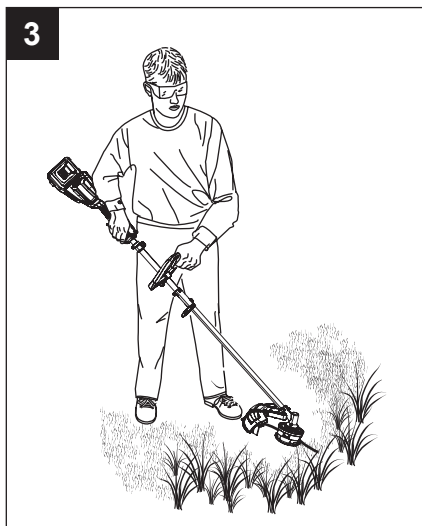
- Asegúrese de que el protector esté bien instalado. De lo contrario, apriete los tornillos del protector.
- Antes de utilizar la herramienta, revise el área para verificar que no haya cuerdas, alambres, ramas u otros materiales que puedan enredarse en el hilo de corte o que puedan salir disparados.

#### Consejos para el almacenamiento:

- No guarde la orilladora a la luz del sol, en un lugar excesivamente cálido o cerca de una caldera.
- La duración de la batería se reducirá.

#### Durante el uso:

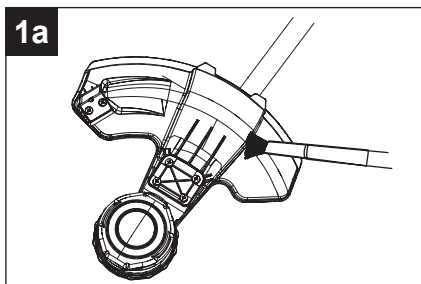
- Corte el césped y las malezas solo cuando estén secas.
- No corte el césped de noche. Asegúrese siempre de tener una iluminación adecuada.
- Sostenga la orilladora por ambos mangos y utilice el mango auxiliar para obtener un mejor control y equilibrio.
- Párese con el cabezal de corte inclinado en un ángulo hacia abajo y hacia el frente, y realice movimientos semicirculares alrededor suyo con la orilladora.
- Si es posible, guíe la orilladora hacia la izquierda para cortar. El hilo se cortará tan pronto como salga del protector y los recortes se arrojarán lejos de usted.
- Para cortar un área de manera uniforme, mueva la orilladora hacia fuera del área que está cortando y mantenga una altura y una velocidad consistentes.
- Utilice solo la punta del hilo de corte para cortar, especialmente cerca de paredes y cercos. Si utiliza la parte lateral del hilo de corte para cortar, puede sobrecalentar el motor, desgastar el hilo más rápido o romperlo más seguido.
- No apoye el carrete de la orilladora sobre el piso mientras corta. Esto hará que se desgaste el carrete y se agote la batería.
- Si el césped tiene más de 15.24 cm (6 pulg.) de altura, córtelo en pequeñas etapas.
- Cuando se apaga la orilladora y el carrete deja de girar, el hilo de corte se relajará y puede retroceder. Alimente hilo de corte adicional antes de guardar la orilladora para evitar que el hilo se pierda completamente en el carrete.
- Si el diámetro del área de corte se reduce, el hilo se desgasta y es necesario avanzar con más frecuencia.
- Si la orilladora no corta de forma correcta, es posible que no se esté alimentando el hilo de corte correctamente.
- Retire y rebobine el carrete de hilo.



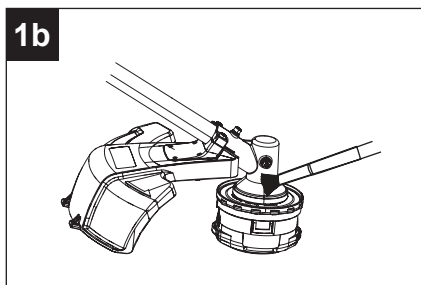
### 1. Mantenimiento del protector y el motor de la orilladora

**Nota:** antes de realizar mantenimiento, retire la batería de la herramienta.

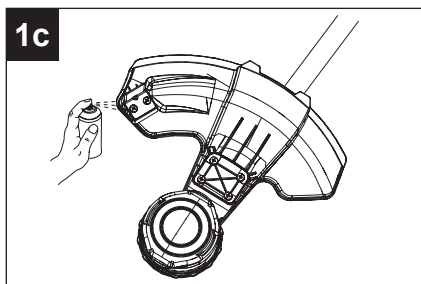
- 1a. Elimine la suciedad y los desechos del protector con una brocha (no incluida).



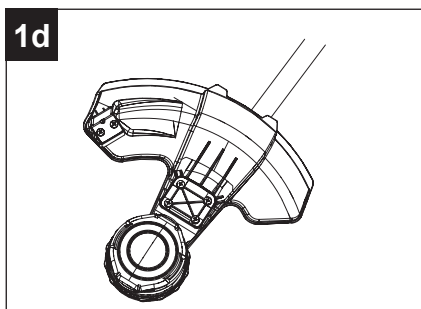
- 1b. Limpie la suciedad y los desechos de la cubierta del motor y de las juntas de conexión.



- 1c. Limpie las cuchillas de corte del hilo con un cepillo de alambre y rocíe con un desengrasante adecuado.



- 1d. Inspeccione la cubierta del carrete y el hilo para asegurarse de que haya una cantidad adecuada de hilo y que no haya daños en la cubierta del carrete.



## SOLUCIÓN DE PROBLEMAS

Si todavía tiene preguntas o un problema no resuelto después de leer esta guía de solución de problemas, o si simplemente desea hablar con un experto en productos KOBALT, llame a nuestro Departamento de Servicio al Cliente de KOBALT al **888-356-2258**.

PROBLEMA	CAUSA POSIBLE	ACCIÓN CORRECTIVA
El motor no arranca cuando se presiona el gatillo del interruptor.	Las baterías no están seguras.	Para asegurar las baterías, asegúrese de que los pestillos del compartimiento de la batería encajen en su lugar.
	Las baterías no están seguras.	Cargue las baterías según las instrucciones incluidas con su modelo.
	Hay una sola batería instalada.	Conecte (2) baterías Kobalt de 24V.
	Posible problema de cableado o de contactos eléctricos.	Llame al servicio técnico al <b>888-3KOBALT (888-356-2258)</b> .
La orilladora humea durante la operación.	La orilladora está dañada.	No utilice la orilladora.
El cabezal de la orilladora no avanza el hilo.	El eje del motor o el cabezal de la orilladora están atascados con césped.	Detenga la orilladora, retire la batería y quite el césped.
	No hay suficiente hilo en el carrete.	Retire la batería y reemplace el hilo de la orilladora. Consulte la sección "Hilo de corte" en este manual.
	El cabezal de orilladora está sucio.	Retire la batería y limpie el carrete.
	El hilo está enredado en el carrete.	Retire la batería, retire el hilo del carrete y rebobine.
El hilo no corta bien.	La cuchilla de corte del protector ha perdido filo.	Afile la cuchilla de corte con una lima o reemplácela con una cuchilla nueva.

## GARANTÍA

---

### 5 AÑOS DE GARANTÍA LIMITADA

Esta orilladora KOBALT con 2 baterías de 24V está garantizada para el comprador original desde la fecha de compra original durante cinco (5) años y está sujeta a la cobertura de garantía que se describe en el presente.

Esta orilladora KOBALT con 2 baterías de 24V tiene una garantía para el usuario original contra defectos en los materiales y la mano de obra.

Si cree que la orilladora KOBALT con 2 baterías de 24V está defectuosa en cualquier momento durante el período de garantía especificado, simplemente devuélvala junto con el comprobante de compra al lugar de compra para obtener un reemplazo o un reembolso gratuito, o llame al **888-3KOBALT (888-356-2258)** para obtener el servicio de garantía.

Esta garantía es nula si: los defectos en los materiales o la mano de obra o los daños han sido causados por reparaciones o modificaciones hechas o que se hayan intentado hacer por parte de terceros o el uso no autorizado de piezas incompatibles; el daño es debido al desgaste normal; el daño es debido al abuso (lo que incluye la sobrecarga de la herramienta por encima de su capacidad), mantenimiento inadecuado, negligencia o accidente; o el daño es debido al uso de la herramienta después de una falla parcial, el uso con accesorios inadecuados o reparaciones o alteraciones no autorizadas.

Esta garantía no incluye el carrete.

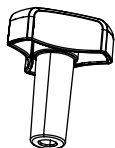
Esta garantía le otorga derechos legales específicos, pero podría tener también otros derechos que varían según el estado.

Las piezas de repuesto no están cubiertas por la garantía.

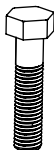
## LISTA DE PIEZAS DE REPUESTO

Para obtener piezas de repuesto, llame a nuestro Departamento de Servicio al Cliente al **888-356-2258**, de lunes a domingo de 8 a.m. a 8 p.m., hora estándar del Este. También puede ponerse en contacto con nosotros a través de [ascs@lowes.com](mailto:ascs@lowes.com).

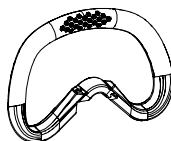
**BB**



**CC**



**C**



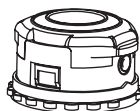
**EE**



**I**



**G**



PIEZA	DESCRIPCIÓN	PIEZA #
BB	Perilla de sujeción	R0214516-00
CC	Perno	R0207110-00
C	Mango frontal y auxiliar	R0207109-00
EE	Bloque fijo	R0202491-00
I	Protector	R0214519-00
G	Cabezal de hilo	R0214881-00

Rev B



P0806994-02