



Installation GUIDE



Viking Range Corporation
111 Front Street
Greenwood, Mississippi 38930 USA
(662) 455-1200

For product information, call 1-888-VIKING1 (845-4641)
or visit the Viking Website at vikingrange.com

VIKING | D3

RDHK36 D3 Handle Kit
For Use with FDBB, FDSB, FDRB, FDFB Built-in Refrigerators,
and FDWB Built-In Wine Cellars

IMPORTANT—Please Read and Follow!

- Before beginning, please read these instructions completely and carefully.
- Use caution during assembly to minimize scratches.
- Do not remove permanently affixed labels, warnings or plates from the product. This may void the warranty.
- Please refer to the product Installation Instructions for more information on installing the door panel.
- **The installer should leave instructions with the customer who should retain for local inspector's use and future reference.**

Installation with Wooden Full Overlay Custom Door Front

Parts Included

Part	Quantity
D3 Handles	(1)
Handle Stud	(2)
#8-32x1-3/8" Phillip Head Screw	(2)
#8-32 Locknut	(2)
Installation Instructions	(1)

Required Tools

- Electric Drill
- 3/16" (0.5 cm) Drill Bit
- 9/16" (1.4 cm) Spade or Forstner Bit (Counterbore)
- Tape Measure
- Hex Head Screw Driver
- Phillips Head Screw Driver
- Masking Tape and Pencil

To Install:

1. Locate the wooden custom panel.
2. Using the illustrations on the next page, layout the handle location on the panels. It is recommended that masking tape be placed where the two holes will be drilled to help mark the hole placement and to prevent any damage to the door when drilling the holes.
3. The D3 handle will be mounted using (2) handle studs, (2) #8-32x1-3/8" phillip head screws, and (2) #8-32 locknuts provided. Using the 3/16" (0.5 cm) drill bit, drill completely through the door in the hole locations. Using the 9/16" (1.4 cm) bit, counter-bore four holes 1/2" (1.2 cm) deep max. on the **BACKSIDE** of the custom door panel. Attach the D3 handle to the panel by aligning endcaps with studs, then tighten set screws on side of both endcaps. (See figure 1)
4. See Section A-A for attaching stud.

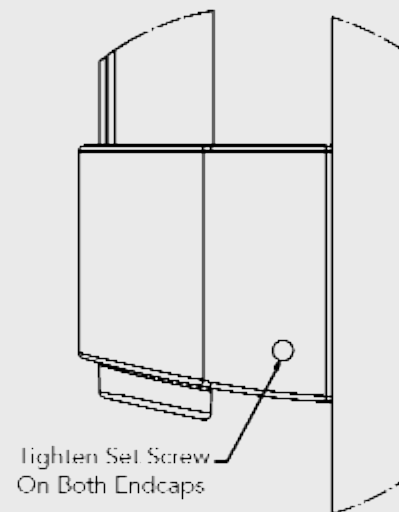
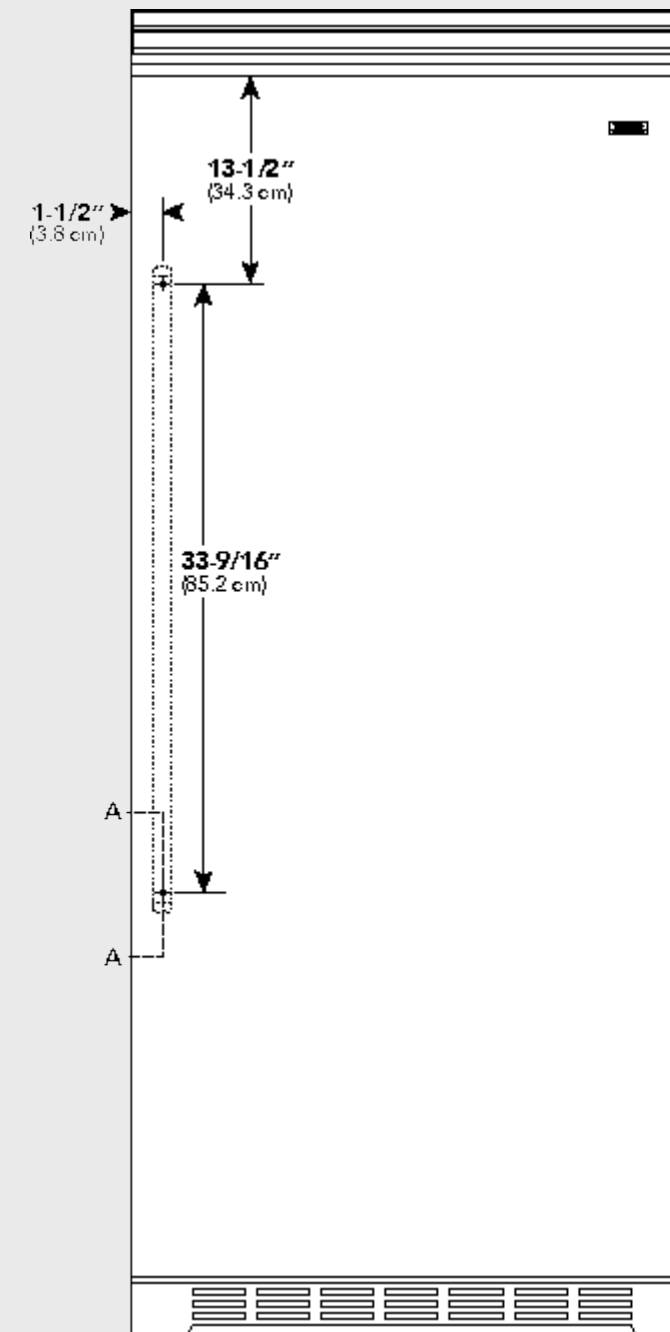
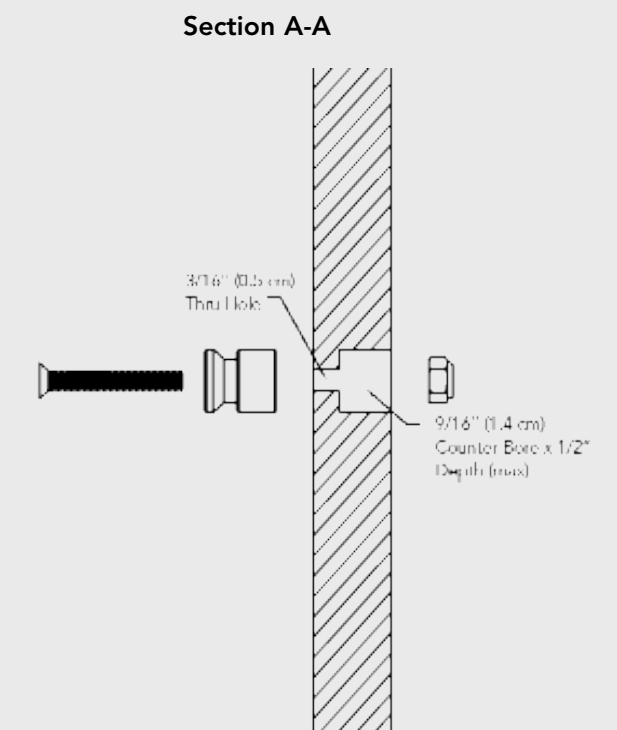


Figure 1

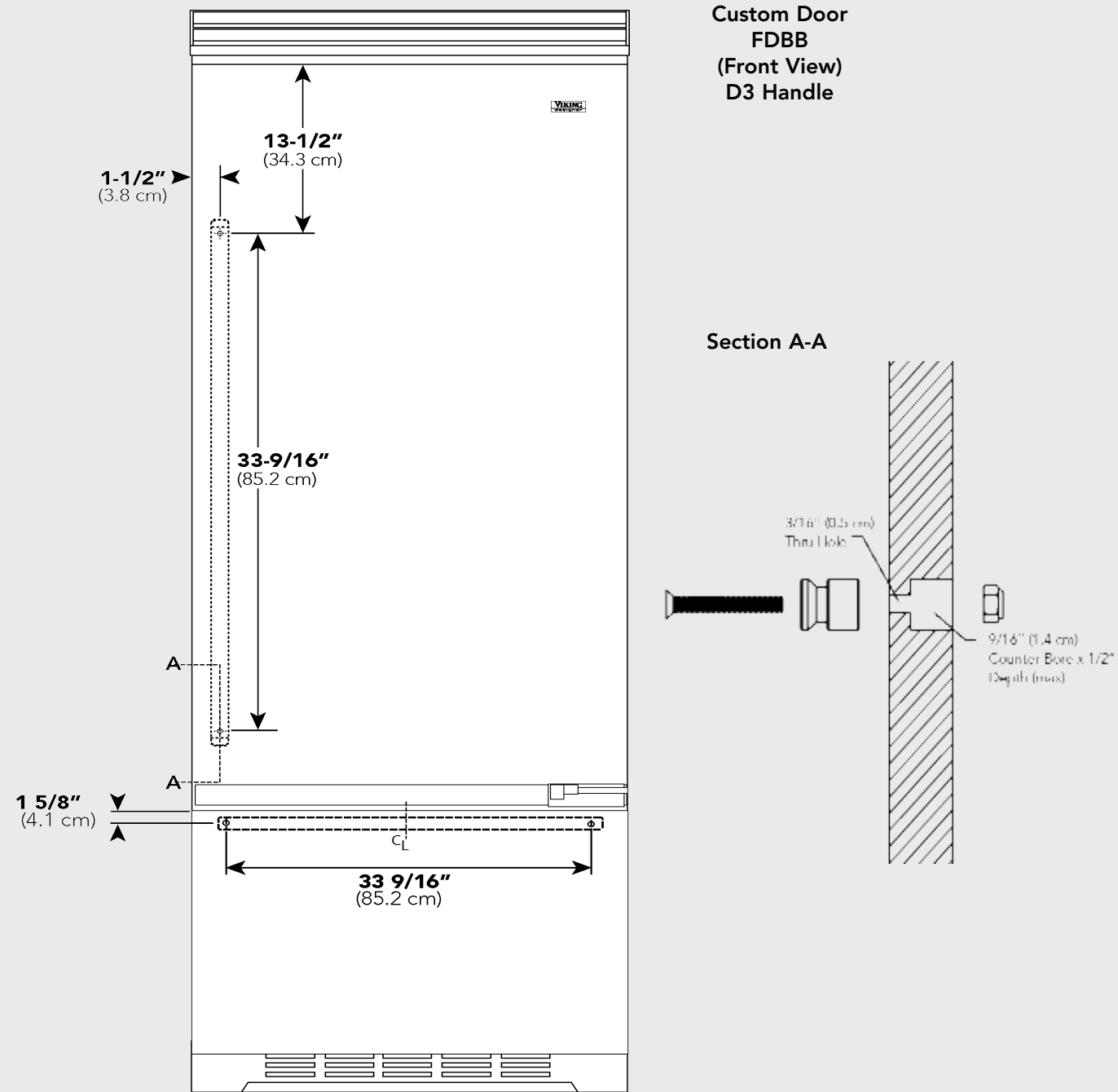
Handle Installation



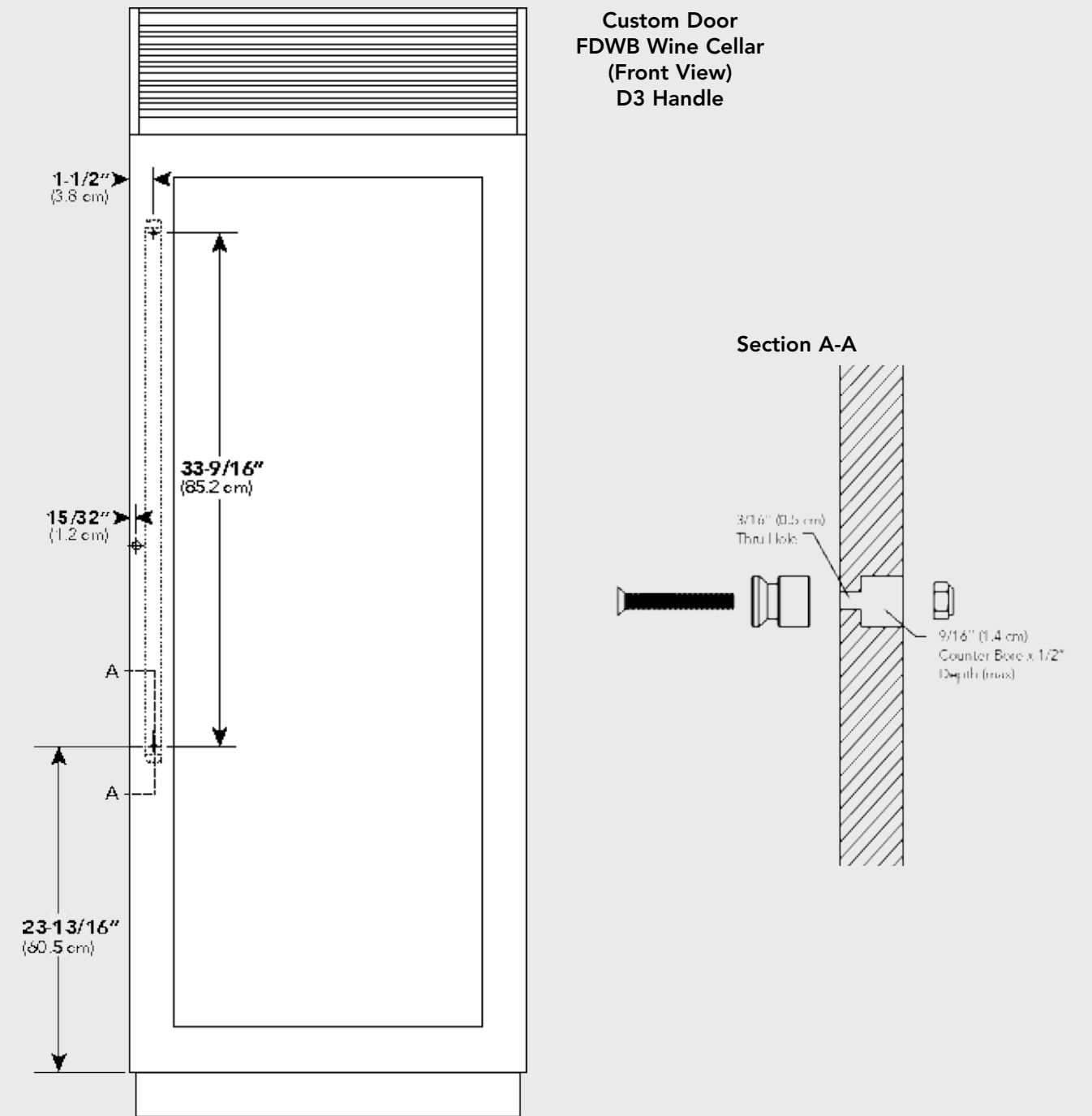
Custom Door
FDSB, FDRB, FDFB
(Front View)
D3 Handle



Handle Installation



Handle Installation



Specifications subject to change without notice.



