

Midea Cooker Hood Instructions

MODEL: MHS60S


60cm Slideout Rangehood
Service Call: 1800 886 010



SAVE THESE INSTRUCTIONS CAREFULLY

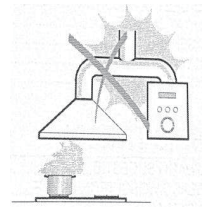
Read these instructions carefully before using your cooker hood, and keep it carefully. If you follow the instructions, your cooker hood will provide you with many years of good service.

RECOMMENDATIONS AND SUGGESTIONS

 The instructions apply to several versions of this appliance. Accordingly, you may find descriptions of individual features that do not apply to your appliance.

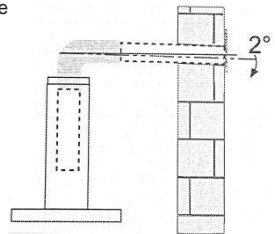
INSTALLATION

- The manufacturer will not be held liable for any damages resulting from incorrect or improper installation.
- The minimum safety distance between the cooker top and the extractor hood is 650 mm (some models can be installed at a lower height, please refer to the paragraphs on working dimensions and installation).
- Check that the mains voltage corresponds to that indicated on the rating plate fixed to the inside of the hood.
- For Class I appliances, check that the domestic power supply guarantees adequate earthing.
- Connect the extractor to the exhaust flue through a pipe of minimum diameter 120mm. The route of the flue must be as short as possible.
- Do not connect the extractor hood to exhaust ducts carrying combustion flumes (boilers, fireplaces, etc.).
- If the extractor is used in conjunction with non-electrical appliances (e.g. gas burning appliances), a sufficient degree of aeration must be guaranteed in the room in order to prevent the backflow of exhaust gas. The kitchen must have an opening communicating directly with the open air in order to guarantee the entry of clean air. When the cooker hood is used in conjunction with appliances supplied with energy other than electric, the negative pressure in the room must not exceed 0,04 mbar to prevent fumes being drawn back into the room by the cooker hood.
- In the event of damage to the power cable, it must be replaced by the manufacturer or by the technical service department, in order to prevent any risks.
- If the installation instructions for the gas hob specify a greater distance than that specified above, it has to be taken into account. Regulations concerning the discharge of air have to be fulfilled.



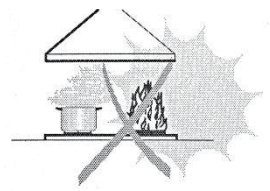
USE


- The extractor hood has been designed exclusively for domestic use to eliminate kitchen smells.
- Never use the hood for purposes other than those intended.
- Never leave high naked flames under the hood when it is in operation.
- Adjust the flame intensity to direct the flame up to the bottom of a pan only, making sure that it does not engulf the sides.
- Deep fat fryers must be continuously monitored during use: overheated oil can burst into flames.
- Do not flame under the cooker hood, with a risk of fire.
- This appliance can be used by children aged 8 and above and persons with reduced physical, sensory or mental capabilities or lacking experience and knowledge if they have been given supervision or instruction concerning use of the appliance in a safe way and understood the hazards involved.
- Children should be supervised to ensure that they do not play with the appliance.
- Cleaning and maintenance shall not be made by children without supervision.
- "CAUTION: Accessible parts may become hot when used with cooking appliances".



MAINTENANCE

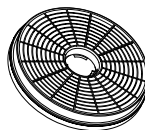
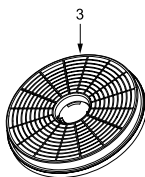
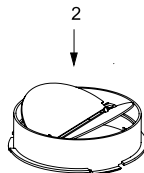
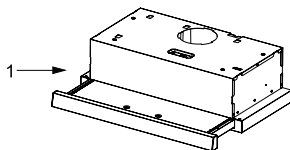
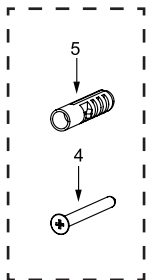
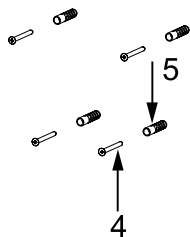
- Switch off or unplug the appliance from the mains supply before carrying out any maintenance work.
- Clean and/or replace the filters after the specified period (fire hazard).
- Clean the hood using a damp cloth and a neutral liquid detergent.
- The appliance uses 4 hob elements at most.



The symbol  is a packaging indication that this product may not be treated as household waste. Instead it shall be handed over to the applicable collection point for recycling of electrical and electronic equipment. By ensuring this product is disposed of correctly, you will help prevent potential negative consequences for the environment and human health, which could otherwise be caused by inappropriate waste disposing of this product. For more detailed information about recycling of this product, please contact your local city office, your household waste disposal service or the shop where you purchased your product.

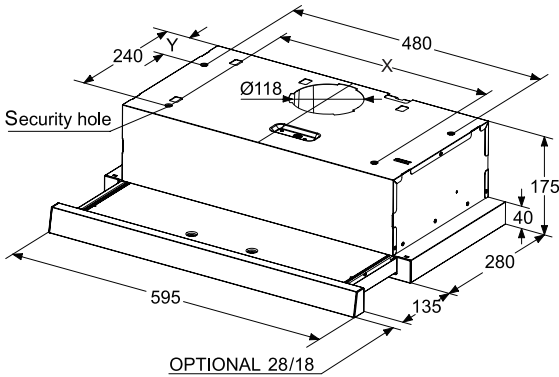
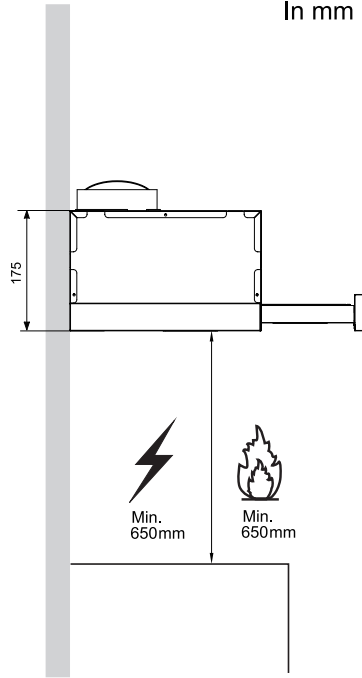
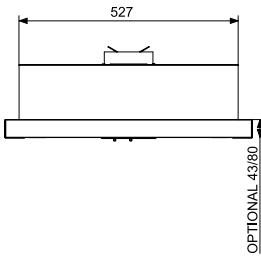
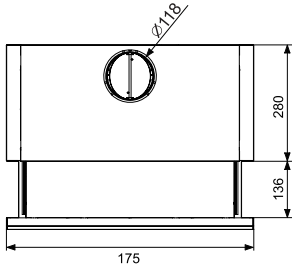
COMPONENTS

Ref.	Qty.	Product Components
1	1	Hood Body, complete with Controls, Light, Blower, Filter.
2	1	Check Valve
3	1	Activated Charcoal Filter
4	1	Screws 5x50
5	1	Wall Plug



DIMENSION

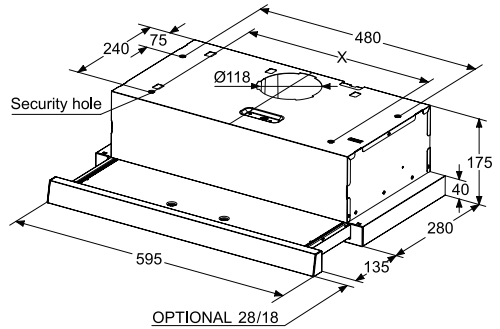
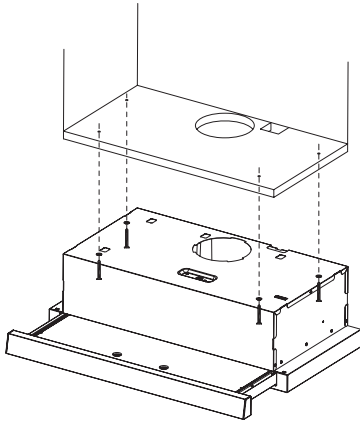
In mm



	X	Y
twin motor	423	88

INSTALLATION

METHOD 1



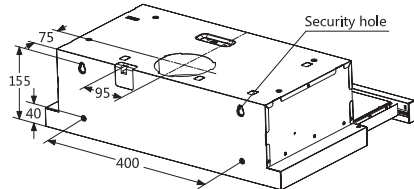
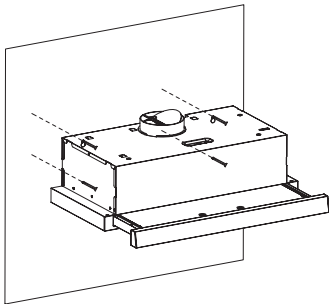
- Refer to the drawings (Method 1)
- Position the hood into the cabinet location and line of the 4 round key holes on top Cooker Hood. In the cabinet identify the relative position of 4 round key holes.
- Take care to consider the overall dimensions of the hood including fascia panel using 4 x screws supplied install hood securely to cabinet.



Information

When cutting or drilling into wall or ceiling, you should not damage electrical wiring or other hidden utilities.

METHOD 2



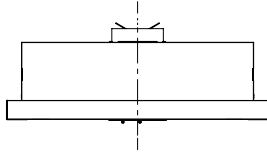
METHOD 2

- If the installation surface of the cabinet is not suitable for installing the cooker hood, then as per figures, fix the cooker hood on the correct position of the wall.
- On the wall, install 2 screws (supplied) according to the relative position of 2 key holes at the back of hood.
- Also install screws in the security holes to provide a safer use in case the hood moves back and forth.

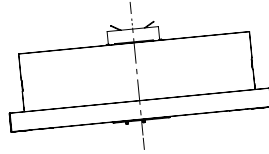


Information

Congratulations on your purchasing our cooker hood. Before installing and/or using the cooker hood, carefully read all the instructions.



Right



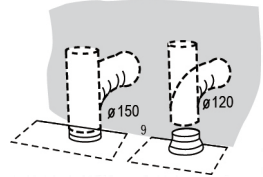
Wrong

CONNECTIONS

DUCTED VERSION AIR EXHAUST SYSTEM

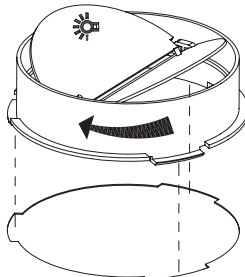
When installing the ducted version, connect the hood to the chimney using either a flexible or a rigid pipe of ϕ 150 or ϕ 120 mm, the choice of which is left to the installer.

- To install a ϕ 120 mm air exhaust connection, insert the reducer flange **3** on the hood body outlet.
- Fix the pipe **4** in position using sufficient pipe clamps (not supplied).
- Remove possible charcoal filters.



CHECK VALVE INSTALLATION

Hold check valve (black) in your hands and align with the cut out on the top of the Rangehood. Turn slightly to position check valve in to cut .out.



USE

Operation

Check before using

Check the safe condition of the appliance:

- Check whether there are visible defects.
- Check that all parts of the appliance have been securely fitted.

Switching on/off

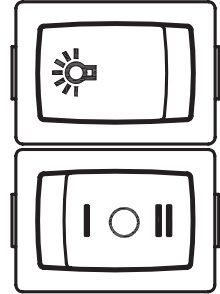
- Control on the right side of cooker hood are the control switches.
- There are 2 speed switches of the motor and on/off switch of the light.
- Locker switch for operation.

Motor Operation

- [○] = Off
- [I] = Low Power Setting
- [II] = High Power Setting

Motor Operation

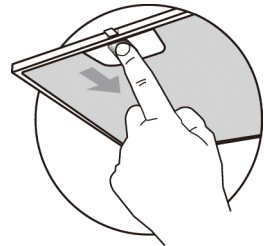
- [] = Off
- [] = On



GREASE FILTER

METAL SELF-SUPPORTING GREASE FILTER CLEANING

- The filters must be cleaned every 2 months of operation or more frequently for particularly heavy usage, and can be washed in a dishwasher.
- Slide the panel clip to release the aluminum filter.
- Remove the filters one by one by pushing them towards the back side of the hood unit and simultaneously pulling downwards.
- Any kind of bending of the filters has to be avoided when washing them. Before fitting them again into the hood, make sure that they are completely dry. (The color of the filter surface may change over time, but this has no influence to the filter efficiency).
- When fitting the filters into the hood, pay attention that they should be mounted in correct position with the handle facing outwards.
- Close the clip panel.

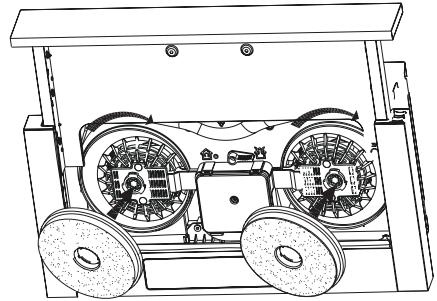
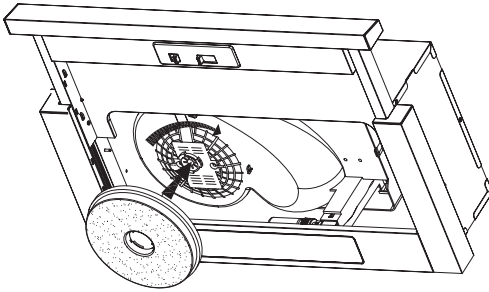


ACTIVATED CHARCOAL FILTER (RECIRCULATION VERSION)

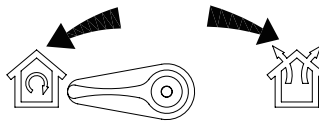
ACTIVATED CHARCOAL FILTER REPLACEMENT

These filters are not washable and cannot be regenerated, and must be replaced approximately every 4 months of operation or more frequently for heavy usage.

- Remove the metal grease filters
- Remove the saturated activated charcoal filter.
- Fit the new filters.
- Replace the metal grease filters.



Information
When activated charcoal filter is attached, the suction power will be lowered.



Venting knob position

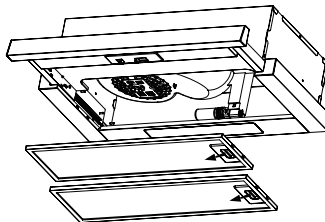
	Extraction-air mode: Turning the venting knob here means venting outside.
	Circulating-air mode: Turning the venting knob here means recirculation.

LIGHT

LIGHT REPLACEMENT

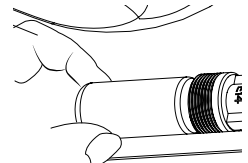
- When changing the light bulb, the contacts are live.
- Before changing the light bulb, unplug the appliance from the mains or switch off the circuit breaker in the fuse box.

1. Remove the grease filter.



2. You can remove the light by rotating it. For the specifications of light replacement, refer to the table below.

	Max Power	Voltage	Picture	Light Cap	ILCOS D Code
LED Module	3W	220-240V		E14	DBL-3-H-E14-35



OLD ELECTRICAL APPLIANCE DISPOSAL



The European Directive 2012/19/EU on Waste Electrical and Electronic Equipment (WEEE), requires that old household electrical appliances must not be disposed of in the normal unsorted municipal waste stream. Old appliances must be collected separately in order to optimize the recovery and recycling of the materials they contain and reduce the impact on human health and the environment.

The crossed out “Wheeled Bin” symbol on the product reminds you of your obligation, that when disposing the appliance, you need separately collect them.

Consumers should contact their local authority or retailer for information concerning the correct disposal of their old appliance.

TROUBLE SHOOTING

Fault	Cause	Solution
Light is on, but motor does not work	The blade is blocked.	
	The capacitor is damaged.	Replace the capacitor.
	The motor is damaged.	Replace the motor.
	The internal wiring of motor is cut off/ disconnected. An unpleasant smell may be produced.	Replace the motor.
Both light and motor do not work	Apart from the above mentioned, check the following:	
	Light is damaged.	Replace the light.
Oil leakage	Power cord is loose.	Connect the cord as per the electric diagram.
	Outlet and the air ventilation entrance are not tightly sealed.	Take down the outlet and seal with glue.
Oil leakage	Leakage from the connection of U-shaped section and cover.	Take down U-shaped section and seal with soap or paint.
	Vibration	The blade, if damaged, can cause vibration.
The motor is not tightly fastened.		Fasten the motor tightly.
The cooker hood is not tightly fixed.		Fix the cooker hood tightly.
Insufficient suction	The distance between the cooker hood and the cooker top is too large.	Readjust the distance.
	Too much ventilation from open doors or windows.	Choose a new place to install the appliance or close some doors / windows.
Machine incline	The fixing screw is not tight enough.	Tighten the fixing screw and make it horizontal.
	The hanging screw is not tight enough	Tighten the hanging screw and make it horizontal.

Maintenance schedule:

To ensure the appliance continues to operate at peak performance, we recommend a routine service call every 3 years for the life of the appliance.

FOR SPARE PARTS OR TO FIND THE ADDRESS OF
YOUR NEAREST STATE SPARE PARTS CENTRE IN AUSTRALIA

MIDEA HOME APPLIANCES AUSTRALIA PTY LTD

11/75 Lorimer Street, Docklands, Melbourne, 3008

After-sales service No.: 1800 88 60 10