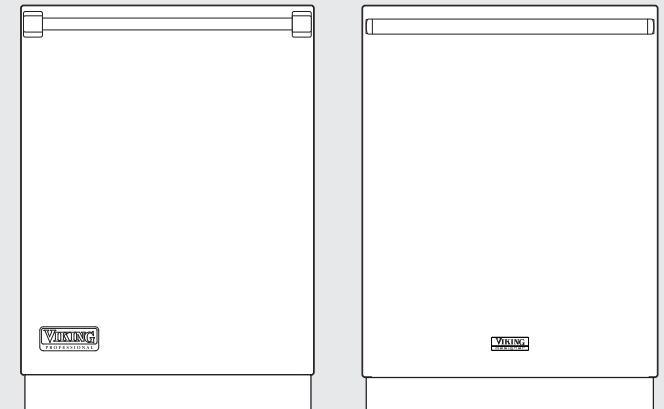


Viking Use & Care Manual



Viking Range Corporation
111 Front Street
Greenwood, Mississippi 38930 USA
(662) 455-1200

For product information,
call 1-888-VIKING1 (845-4641)
or visit the Viking Web site at
vikingrange.com



Professional & Designer 325 Series
Built-In Dishwashers


Congratulations

With your purchase of the world's most powerful and intelligent dishwasher, you have joined the elite world of Viking ownership.


Your Viking dishwasher is designed to offer years of reliable service. This Use & Care Guide will provide you with the information you need to become familiar with your dishwasher's operation and care.

Your complete satisfaction is our ultimate goal. If you have any questions or comments about this product, please contact the dealer from whom you purchased it, or contact our Consumer Support Center at 1-888-VIKING1.

For more information about the complete and growing selection of Viking products, contact your dealer or visit us online at vikingrange.com.

 This symbol alerts you to hazards such as fire, electrical shock or other injuries.

⚠ WARNING



Electrical Shock Hazard


Electrically ground dishwasher.

Connect ground wire to green ground connector in terminal box.

Do not use an extension cord.

Failure to follow these instructions, can result in death, fire or electrical shock.

⚠ WARNING



Tip Over Hazard

Do not use dishwasher until completely installed.

Do not push down on open door.

Doing so can result in serious injury or cuts.

⚠ WARNING

Excessive Weight Hazard

Use two or more people to move and install dishwasher.

Failure to do so can result in back or other injury.



Table of Contents

Getting Started

Important Safety Instructions _____	5
Features _____	8

Product Controls

Cycle Data _____	11
General Features: Cycles _____	12
Using the Delay Start Option _____	13

Operation

Preparing Dishes _____	14
Washing Recommendations _____	16
Rack Adjustments _____	18
Loading Dishwasher _____	19
Loading Silverware Basket _____	20
Loading Racks _____	21
Dishwasher Detergent _____	21
Rinse Agent _____	23
Wash Temperature _____	24
Energy Saving Tips _____	25
Water Hardness _____	26

Product Care

Maintenance _____	27
Troubleshooting _____	29
Troubleshooting Fault Codes _____	34
Service Information _____	38
Warranty _____	39

Important Safety Instructions

Read all instructions before using the dishwasher.

- **It is your responsibility to be sure your dishwasher**
 - Has been installed by a qualified installer.
 - Has been properly grounded.
 - Has been properly connected to an appropriate electrical supply, water supply and drain.
 - Has been securely mounted to the cabinet.
 - Is properly maintained.
 - Has had all shipping materials, packaging and temporary labels removed.
- Install dishwasher so that it is protected from the elements. Protect dishwasher from freezing to avoid possible fill valve damage.
- **DO NOT** use an extension cord to connect the dishwasher to electricity.
- Use the dishwasher only for its intended function.
- To avoid the risk of personal injury due to steam burns, open door slowly to allow steam to escape before opening completely.
- Use only detergents and rinse agents recommended for use in household dishwashers, and store them in a safe and dry environment away from the access of children.

Important Safety Instructions

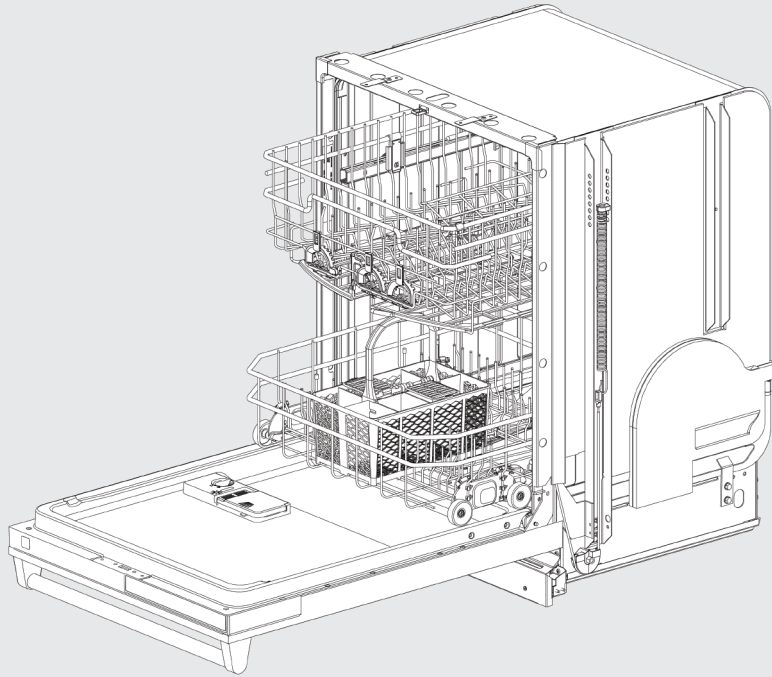
- When loading items to be washed, place sharp items so that they are not likely to damage the door seal and load sharp knives with the handles up to avoid the risk of personal injury.
- **DO NOT** wash plastic items unless marked “dishwasher safe” or the equivalent.
- **DO NOT** operate the dishwasher without the filters in place.
- **DO NOT** operate your dishwasher unless all enclosure panels are properly in place.
- **DO NOT** abuse, sit on or stand on the door or dish rack of the dishwasher.
- **DO NOT** tamper with controls.
- To reduce the risk of injury, do not allow children to play in or on a dishwasher.
- If hot water has not been used recently (usually two weeks or longer), hydrogen gases may buildup in the water heater and the hot water pipes. **HYDROGEN GAS IS EXPLOSIVE.** To prevent injury or damage, before using your dishwasher, turn on all hot water faucets and allow water to run for several minutes before using your dishwasher. This will allow gases to escape. Do not smoke or use any open flames near the faucet while it is open.

Important Safety Instructions

- Depending on cycles/options selected, the dishwasher operates at very high water temperatures 155°F (68°C) on some models. Use extreme caution when opening unit or handling dishes.
- **DO NOT** use door to push racks in. Close the dishwasher door when not in use.
- **DO NOT** repair or replace any part of the appliance unless specifically recommended in the manual. All other servicing should be referred to a qualified authorized technician.
- When discarding an old dishwasher, always remove the door to prevent accidental entrapment.

SAVE THESE INSTRUCTIONS!

Features

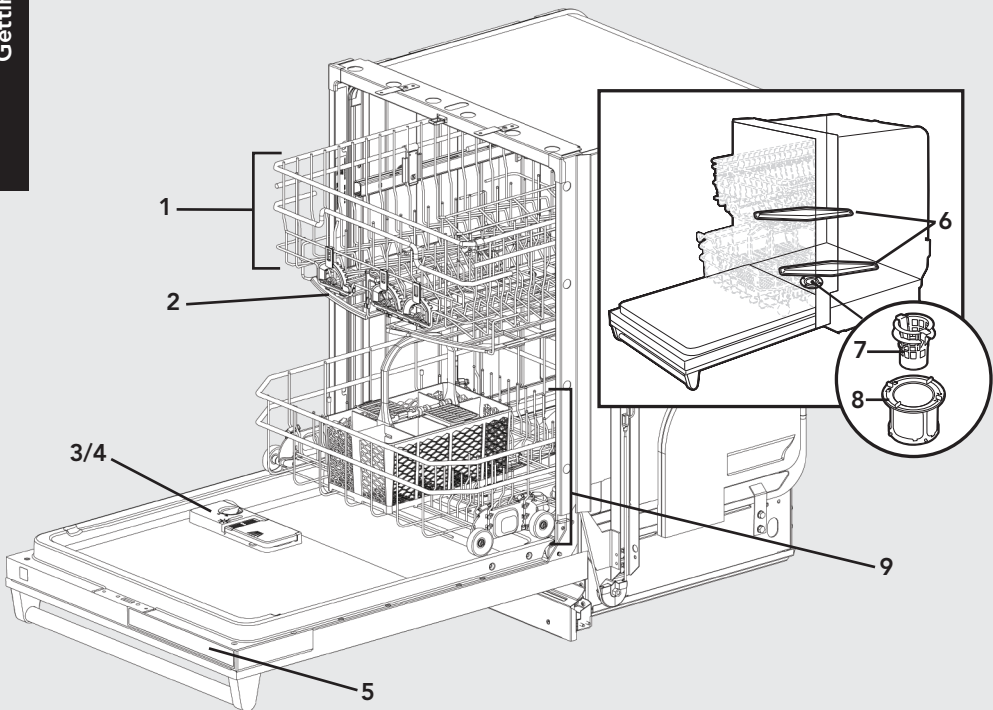


- **Vari-Pressure Intelli-Wash™ System**
Customizes water volumes and water pressure to selected cycles and options. The wash system includes multi-level washing with two high quality stainless steel wash arms and an exclusive blockproof Flexible-Fluid™ coupling direct water feed. The exclusive DishGuard™ Protector prevents spray arm blockage from lower rack load while protecting dishes.
- **Central Intelligence™ System**
Constant communications optimize performance by measuring water temperature and water volume.

Features

- **Four-Stage Filtration and Waste Removal System**
Prevents redepositing of food particles by assuring 100% filtered water is delivered to dishes in all cycles resulting in clean spot-free dishes. The system includes a removable coarse strainer and exclusive Triple-Clean™ filtration with self-cleaning jets.
- **Sure-Temp™ Water Heating**
HydroFlo™ water heater automatically heats water to appropriate/selected temperature, assuring excellent washing performance.
- **Quiet Clean™ Performance Packages**
Engineered top to bottom for the quietest operation possible. The combination of a quiet three phase motor, separate motor and pump for washing and draining, multi-stage sound absorbing insulation and cushion mounted key operating components provides a unique Quiet Clean™ sound package.
- **“Load-As-You-Like” Sturdi-Bilt™ Racks**
Fully extendable and adjustable nylon coated steel racks accommodate 15 international place settings of china in a single load.
- **Diamond-Brite™ Stainless Steel Tank and Inner Door**
Brightly polished surgical stainless steel to maintain optimum long-term appearance.

Features



325 Model

- 1. Roller Bearing™ upper rack
 - Hold-Tight™ dividers (3)
 - One-piece stemware shelf
- 2. DishGuard™ protector
- 3. Automatic detergent dispenser
- 4. Automatic rinse agent dispenser
- 5. Top-of-door hidden control panel
- 6. Stainless steel wash arms (2)
- 7. Removable coarse strainer
- 8. Fine filter
- 9. Lower rack
 - One-piece fold down tines (4 rows)
 - One-piece silverware basket with lids

Cycle Data

Cycle name	Recommended dish types/ soil level	Pressure	Wash temp.	Total water gal.	Total wash time (minutes) 120°F (49°C)
Pots/ Pans	Heavily soiled pots, pans and casserole dishes	Intense	Prewash- 130° F (54.4° C) Main- 150° F (66° C) Rinse- 150° F (66° C)	8.2	140 (min.)
Normal Wash	Normally soiled plates, glasses, bowls, and lightly soiled pots and pans	Medium	Prewash- N/A Main- 130° F (54.4° C) Rinse- 145° F (63° C)	4.7	70 (min.)
Econo Wash	Normally soiled plates, glasses, bowls, and lightly soiled pots and pans	Light/ Medium	Prewash- N/A Main- 125° F (51.7° C) Rinse- 130° F (54° C)	3.5	70 (min.)
Light/ China	Lightly soiled dishes or fine china and crystal	Light	Prewash-115° F (46.1° C) Main- 125° F (51.7° C) Rinse- 120° F (48.9° C)	5.85	100 (min.)
Rinse/ Hold	All dishware	Medium	Rinse	1.17	12 (min.)

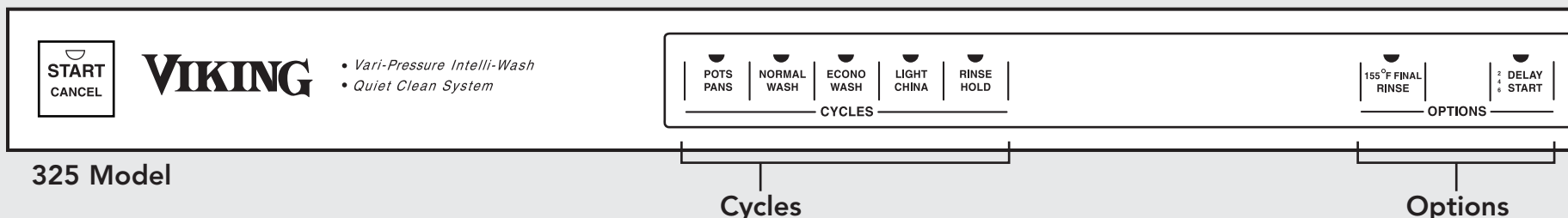
NOTE: Will perform properly if connected to "cold" water - 50° F (10° C). Cycle times will be extended.

NOTE: All cycle times, temperatures and fills are approximate and are dependent on installation and environmental conditions.

NOTE: Heating delays to meet set temperatures may extend the cycle times.

Features: Cycles

Features: Cycles



Wash Cycles

Pots/Pans

Heavily soiled pots, pans and casserole dishes. Long heated prewash loosens up encrusted food. High temperature and intense pressure long main wash. High temperature rinse.

Normal Wash

Normally soiled plates, glasses, bowls, and lightly soiled pots and pans. Normal prewash, main wash and rinse. Medium pressure and temperature.

Econo Wash

Normally soiled plates, glasses, bowls, and lightly soiled pots and pans. Lower temperature main wash and rinse. Longer prewash and main wash to maximize cleaning performance while using less energy.

Light/China

Lightly soiled dishes or fine china and crystal. Low temperature wash and rinse. Lightest pressure to protect dishes.

Rinse/Hold

All dishware. Short, medium pressure rinse with no heat.

Options

155° F (68° C) Final Rinse

Increases the temperature of final rinse to 155° F (68° C). Available on Pots and Pans and Normal Cycle.

Delay Start

Lets you delay running the dishwasher for up to 6 hours. To set "Delay Start", select the desired wash cycle and option(s). Press the "Delay Start" button once and the number "2" will light, indicating a two hour delay. If you desire a longer delay, continue pressing the "Delay Start" button to a 4 or 6 hour delay. The corresponding number on the button will light. Once you have set the desired delay time, press the "START" button and close the door. "Delay Start" is not available with the Rinse/Hold cycle.

Audible Sound Signal (select models)

A single beep will occur when you select cycles, options and press the "START" key. The end-of-cycle signal consists of 2 long beeps. If the "START" button is not pressed or if the door is not closed within 4 seconds of pressing the "START" button, 3 short beeps will occur. For all other error messages and to deselect the audible sound signal, see the Troubleshooting/Fault Codes section.

Preparing Dishes

It is not necessary to rinse normal food soils off the dishes before putting them in the dishwasher, although larger solid particles, such as bones, seeds, skins, pits, and toothpicks should be removed.

If you are not going to run the dishwasher immediately after loading, it is best to rinse salty and highly acidic foods off stainless steel, silver, and silverplate flatware. Prolonged contact of foods—including lemon juice, salt, vinegar, mustard, mayonnaise, and salad dressings—with stainless steel can cause corrosion (pitting).

Before Operation

1. Load the dishes per recommended loading. See section on Loading Dishwasher.
2. Make sure there is rinse agent in the dispenser. Add rinse agent if needed. See section on Rinse Agent.
3. Add proper amount of detergent and pre-wash. See section on Dishwasher Detergent.
4. Push both top and bottom racks in.
5. Select the desired cycle and option(s).
6. Press "START". The "START" symbol will illuminate to indicate the unit is ready.
7. Close the door tightly until you hear a click. Otherwise, the dishwasher will not start.

Option Restrictions

All options are not available for all cycles. Please note the following:

- The option "155° F (68° C) FINAL RINSE" is not available in the "LIGHT/CHINA" cycle.
- No options are available in the "RINSE/HOLD" cycle.

After selecting the wash cycle and options, depress "START" button. The start symbol will illuminate. This merely means the machine is ready. Close the door securely within 4 seconds of pressing the "START" button.

Changing a Program

Changing a Program After the Unit has Started

The dishwasher is programmed to stop operating if the door is opened during a cycle. To change a program or option after starting the machine, open the door slightly to let the spray arms stop rotating and avoid getting sprayed with water. Press and hold "START" for four seconds to cancel the current selection, then press the touchpad(s) for your desired selection.

Press "START" again and close the door. The drain pump will run to remove any dirty water from the dishwasher before starting the newly selected cycle. Check to make sure there is still detergent in the detergent dispenser.

Opening the Door after Cycle has Started

If the door is opened after the cycle has started, the "START" button will flash to indicate that the dishwasher is in Standby Mode. Press the "START" button and close door securely within 4 seconds to restart the cycle.



Washing Recommendations

Most household dishes such as plates, saucepans, and flatware are dishwasher safe. If you are unsure, check the manufacturer's recommendations before washing. You are responsible for what is washed in the dishwasher.

Materials	Diswasher safe?	Comments
Aluminum	Yes exceptions: anodized and disposable aluminum	Anodized aluminum may fade or darken. Disposable aluminum may contact other dishes and cause dark spots.
Cast iron	Not recommended	Seasoning will be removed and the cast iron will rust.
China/ stoneware	Yes exceptions: antique, hand- painted, or gold leaf	China without decoration or with glaze covered patterns is usually dishwasher safe. Antique, hand-painted and gold-leaf China may discolor or fade.
Crystal	Yes exceptions: antique, some lead crystal	Position crystal so that it will not fall over or knock against other dishes. Some types of lead crystal may etch in dishwasher.
Flatware with glued handles	Not recommended	Certain adhesives may loosen and cause the handles to come off.
Glass	Yes exceptions: milk glass (not recommended)	Milk glass may discolor with repeated washing.
Gold- plated flatware	Not recommended	Gold-plated flatware may discolor.

Washing Recommendations

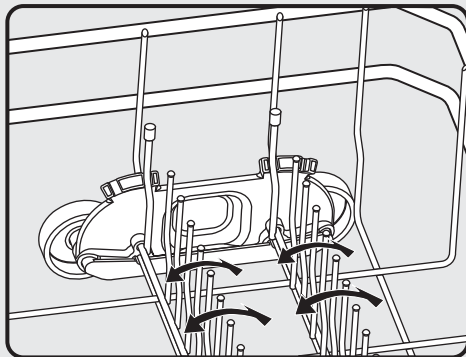
Materials	Diswasher safe?	Comments
Knives	Yes	Position knives in large items tray so that blades are not touching. Knives may become dull if the blades contact other items.
Non-stick coatings	Not recommended	Coating may wear off with repeated washing.
Pewter/ brass/ bronze	Not recommended	Pewter, brass, and bronze may tarnish or pit.
Plastic	Yes	Disposable plastic cannot withstand high water temperature or dishwasher detergent.
Stainless steel	Yes	Rinse stainless steel items if they will not be washed immediately. Prolonged contact with salty or acidic foods will stain. Position stainless steel pieces so they do not contact dissimilar metals.
Silver/ silverplate	Yes	Rinse silver/silverplate items if they will not be washed immediately. Prolonged contact with salty or acidic foods and foods containing sulfur will stain. Position stainless steel pieces so they do not contact dissimilar metals.
Tin	Not recommended	Tin may rust.
Wood	Not recommended	Wash wood items by hand. Wood may warp, crack, or lose its shape or finish in the dishwasher.

Rack Adjustments

The Lower Rack

The lower rack is best for dinner plates, smaller plates, serving plates, larger bowls, pots, and pans.

- Securely place heavily soiled cookware face down in the rack.
- Use the fold-down tines to provide space for large items such as pots and pans.
- Make sure pot handles and other items do not stop rotation of lower wash arm by hanging below the rack.

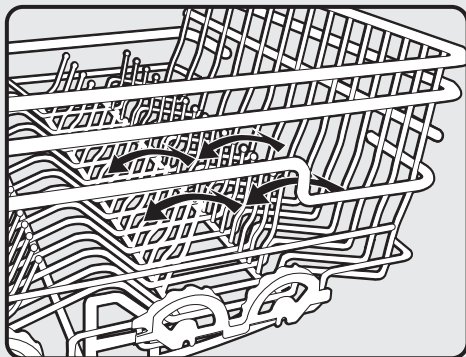


Fold-Down Tines

The Upper Rack

The upper rack is best for glasses, cups, bowls, small plates, and saucers and can accommodate full sized plates up to 10-1/4".

- Make sure small plastic items are held firmly in place with Hold Tight™ dividers.
- Make sure items hanging below the rack do not block the rotation of the wash arm.



Fold-Down Tines

Loading the Dishwasher

General Loading Guidelines

- Load all items so that the force of the water and the detergent reach soiled surfaces.
- Do not let china, crystal, and other delicate items touch each other during dishwasher operation.
- Do not use door to push racks in.

NOTE: Do not load dishes in a manner that would block the detergent dispenser lid from completely opening. The detergent dispenser lid could be damaged.

NOTE: Do not put sterling silver or silver-plated flatware in the same compartment with stainless steel. Contact between the metals can damage silver.

Do not put stainless steel of different qualities close to each other. Contact can damage metals.

Rinse stainless steel items if they will not be washed immediately. Prolonged contact with salty or acidic foods will cause stains.

Extra Quiet Operation Hints

Your dishwasher has been designed and engineered to give superior cleaning results and to operate very quietly. To avoid any extra clattering or thumping noises during operation:

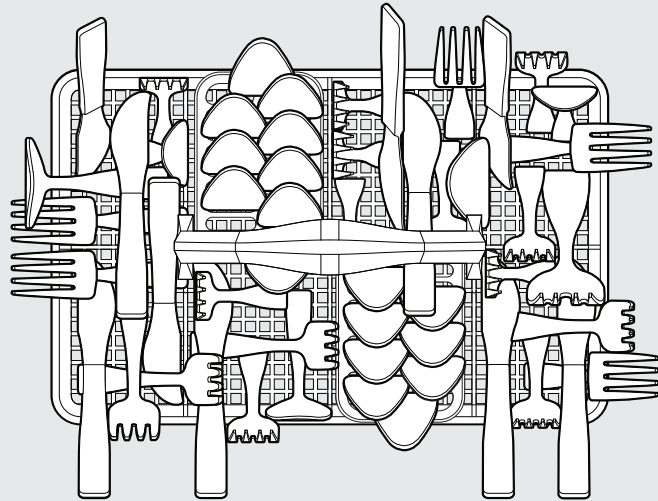
- Keep sink drain plugs inserted during dishwasher operation to prevent noise transfer through drains.
- Load dishes so they do not touch each other.
- Make sure lightweight items are secured in the rack.
- Make sure pot lids and handles, pizza pans, cookie sheets, etc., do not touch interior walls.

Loading Silverware Basket

The Silverware/Cutlery Basket

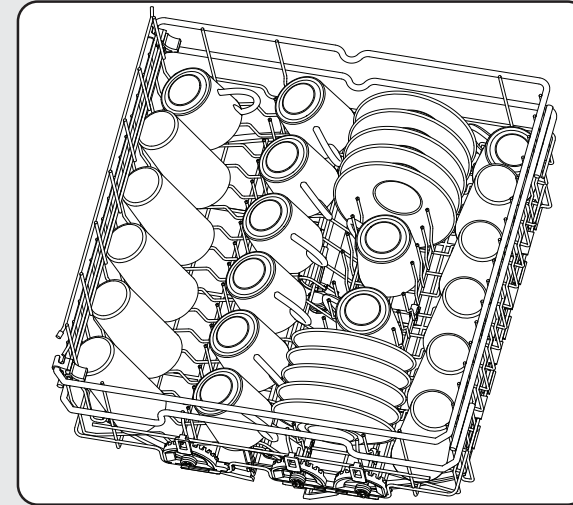
Tips for Best Cleaning Results:

- Distribute items evenly and mix knives, forks, and spoons so that items will avoid nesting.
- Always place forks and spoons with eating portions up and handles down.
- Compartments with lids help separate the silverware for the best cleaning and drying results. The lids also hold small, lightweight items in place.
- **IMPORTANT:** Sharp or pointed items, such as knives, should always be put in with the point down to protect your hands.



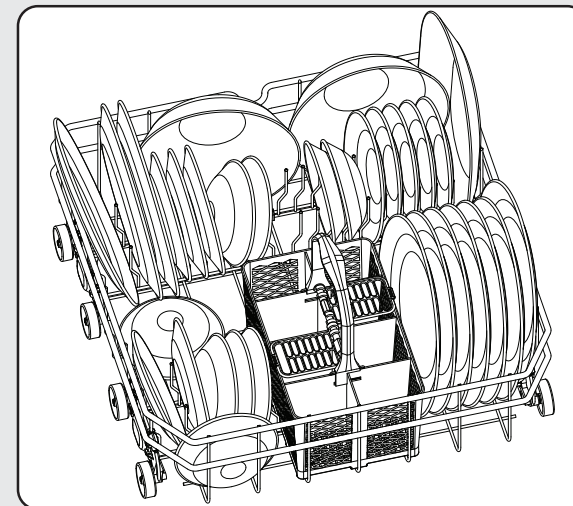
Loading Racks (10 Place Setting)

Upper Rack



- 10 glasses
- 10 coffee cups
- 10 saucers

Lower Rack

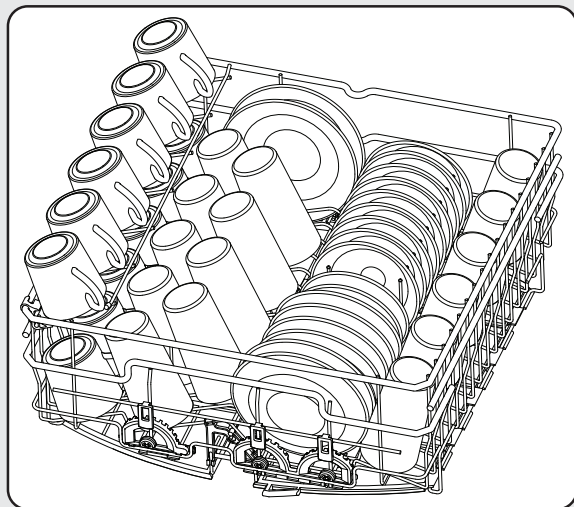


- 10 bowls
- 10 dinner plates
- 1 serving platter
- 2 serving bowls
- 10 bread and butter plates

(AHAM DW-1 10 place setting)

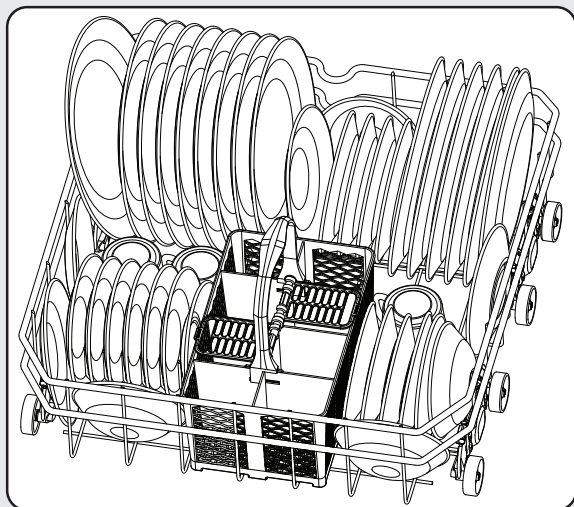
Loading Racks (15 International Place Setting)

Upper Rack



- 12 coffee cups
- 15 glasses
- 11 bowls
- 11 saucers
- 3 bread and butter plates

Lower Rack

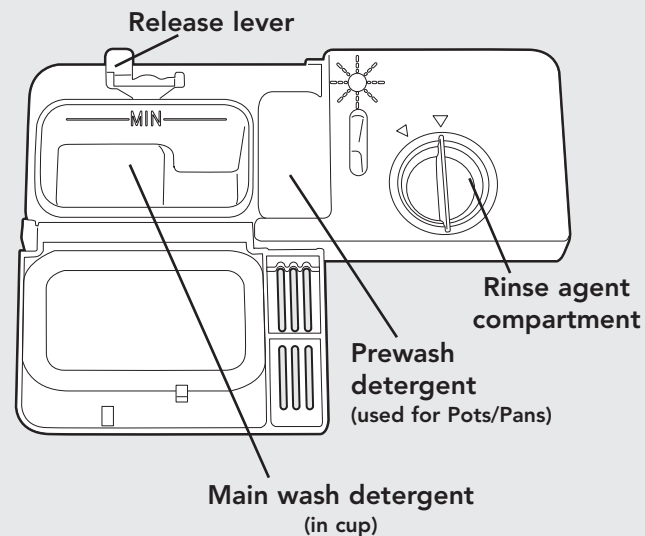


- 4 saucers
- 15 dinner plates
- 12 bread and butter plates
- 4 bowls
- 3 coffee cups

Dishwasher Detergent

Use only a detergent designed for an automatic dishwasher. Never use oven cleaners or other caustic cleaners not designed for dishwashers. These will damage the stainless steel interior, filters and pump components of your dishwasher. Never use soap, laundry detergent or handwashing detergent in your dishwasher, as they are too mild and will cause severe over-sudsing. The foam product prevents the dishwasher from working properly and may cause damage to the dishwasher.

WARNING: Dishwasher detergent is corrosive. Keep out of reach of children. If swallowed, drink plenty of water or milk. Do not induce vomiting. Seek medical advice without delay. If dishwasher detergent gets into eyes, rinse immediately with plenty of water.

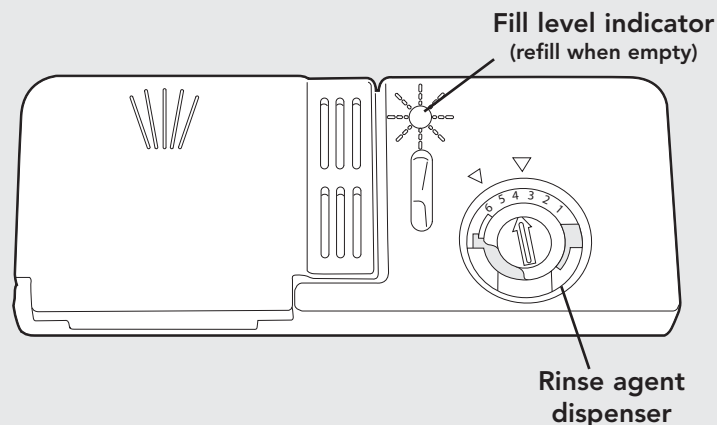


Storing the Detergent

For best results, keep your detergent container tightly closed after each use, out of reach of children and stored in a cool, dry place. **Storage under the sink is not advisable for powdered detergent, because this area is generally too warm and moist to keep detergent fresh.**

Rinse Agent

A rinse agent causes water to flow off the dishes more quickly, preventing droplets that dry as spots and improving drying performance. Rinse agent come in solid and liquid forms. Your dishwasher's rinse agent dispenser uses the liquid form.



Filling the Rinse Agent Dispenser

Drying will usually be better if you use a rinse agent. To fill the dispenser, open the cap and pour the rinse agent into the dispenser up to the knob for dosage setting. The dispenser will hold approximately four ounces of liquid rinse agent.

Adjusting the Dosage of Rinse Agent

The rinse agent dosage is set by the manufacturer and is dispensed automatically into the final rinse. If necessary, the rinse agent dosage can be adjusted by inserting a screwdriver inside the filler hole where the adjustment device is set on "4." It is recommended that the dial be adjusted only one number at a time.

NOTE: For soft water conditions, it may be necessary to reduce the rinse agent dosage setting.

NOTE: Too much rinse agent is not advisable as this might result in the formation of foam, especially if the dishwasher is connected to a cold water supply.

NOTE: In areas with hard water above 12 grains, a water softener is recommended.

Wash Temperature

Hot water dissolves and activates dishwashing detergents, dissolves grease on dishes, and helps glasses dry spot free. If the incoming water is extremely cold due to unusually cold temperatures outside, if you have recently done laundry or run hot water for showers, or if your water travels a long distance from the hot water heater to the dishwasher, the running time of the dishwasher may be longer to heat the water to the required temperature.

Checking the Wash Temperature

An incoming water temperature of 120°F (49°C) is recommended. However, the Sure Temp Water Heating System will ensure the water temperatures are correct for the cycle/options selected.

Energy Saving Tips

- Only start a wash when the machine is completely full.
- Do not prewash dishes. Simply scrape, load, and wash.
- Use the POTS/PANS program only for heavily soiled dishes.
- Connect the dishwasher to a cold water supply (cycle times will be longer).

Power On Light

- A blue light will illuminate from the bottom right corner of the dishwasher kickplate when a cycle is running.

Water Hardness

Hardness of Water

Water has a different "hardness," or mineral content, in different locations. The hardness is measured in grains per gallon (gpg). Find out your water's hardness by asking your local water department, county extension agent, or water softening company. Ask how many "grains" of hardness are in your water.

The harder the water is, the more detergent you need. For the detergent amounts recommended for use in your location with your water, follow the guidelines in the chart. With hard water, you need more detergent to get dishes clean. With soft water, you need less.

Too much detergent with soft water can cause "etching," a permanent cloudiness of glassware. If you have hard water, the dishes as well as the dishwasher itself may accumulate a gray deposit after some time. This deposit can be remedied by using a mild citric acid solution instead of detergent in the heavy wash program.

How Much Detergent to Use?

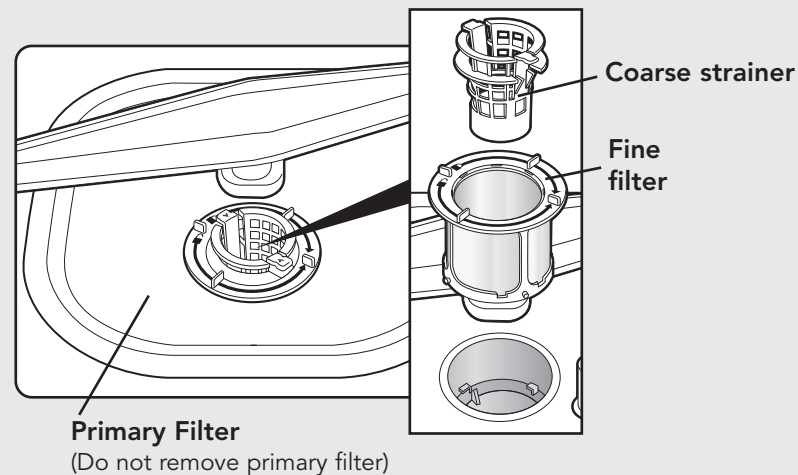
The amount of detergent you use depends on the hardness of the water and on the cycle you select. Generally, only one tablespoon (per cup) of detergent is needed for a normal load.

Water hardness (grains per gallon)	Amount of detergent (powder or liquid)
Soft water 0-3 gpg	1 tablespoon per cup (15ml)
Medium hard water 4-8 gpg	2 tablespoons per cup (30ml)
Hard water 9-above gpg	3 tablespoons per cup (45ml)

NOTE: Line level on detergent dispenser represents 2 tablespoons.

Maintenance

Your new dishwasher is designed to give you years of dependable service. In order to maintain a high level of performance, you need to make sure your dishwasher is properly cared for and cleaned. Here are a few things you can do to make sure your dishwasher performs at its highest level.



Filters

The filters are important, because they continuously filter wash water. Under normal operation, the filters are self cleaning and require no maintenance. If there is a heavy amount of food soil, sediment or hard water conditions, it may be necessary to clean the filters after each use. To clean, remove the filters as shown in the above illustration and soak overnight in a 50/50 solution of water and vinegar. Citric cleaner and water are also acceptable. Filters should appear bright when clean.

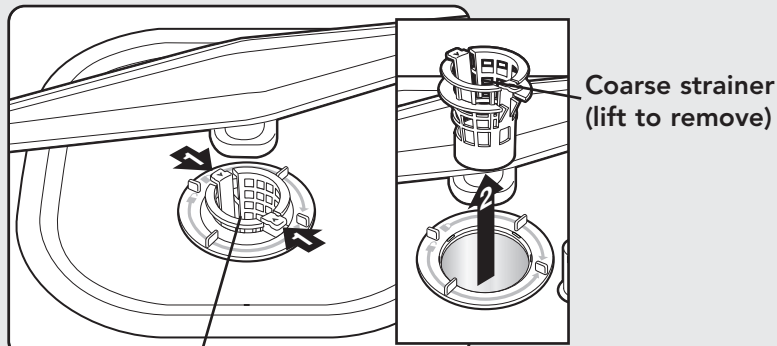
The Coarse Strainer

Large food particles that can't pass through the drainage pump are collected in the coarse strainer. Lift out and empty the coarse strainer when necessary. Don't forget to put it back again. It is normal for a small amount of water to remain in the coarse strainer area.

⚠ WARNING

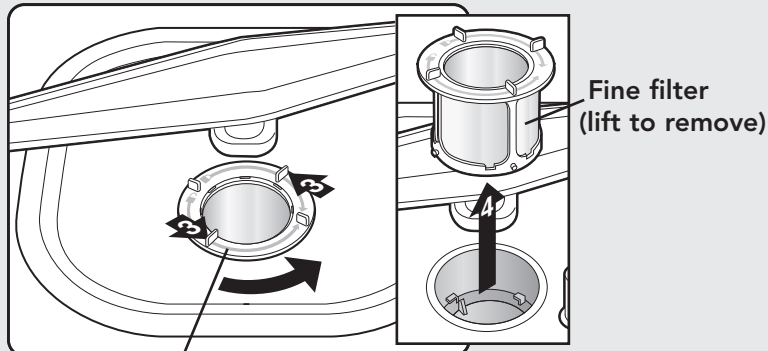
Never operate the dishwasher without the filters in place.

Maintenance



Coarse strainer
(lift to remove)

(Squeeze tabs to remove coarse strainer)



Fine filter
(lift to remove)

(Rotate to remove fine filter)

To Clean Filters

Remove the coarse strainer and empty. If necessary, remove the fine filter and clean all surfaces. **DO NOT** remove primary filter. Replace the filters and secure in place.

Troubleshooting

Poor wash results may not always be caused by the dishwasher. Please review the following Troubleshooting Charts for possible remedies. You may find the proper solution without having to call a service provider.

If the cycle buttons are flashing, please refer to the Fault Codes Chart in the following pages of this manual for possible remedies.

Poor Dishwashing Results

PROBLEM	POSSIBLE CAUSE AND/OR REMEDY
The dishwasher does not start	<p>Door is ajar: Make sure the door is closed securely.</p> <p>"DELAY START" Option is On: Make sure the "DELAY START" option is not turned on.</p> <p>Water Supply is Disconnected: Check that the water supply is connected properly and the water is turned on.</p> <p>Power Cord is Disconnected: Make sure the power cord is properly plugged into the wall socket.</p> <p>Fuse is Blown: Check your fuse box for a blown fuse or tripped circuit breaker.</p>
Spotting and filming	<p>Hard water: Use the maximum recommended amount (3 tablespoons) of dishwasher detergent. To remove hard water spots, try a vinegar rinse:</p> <ul style="list-style-type: none"> • Wash and rinse load as usual. • Remove all metal items from dishwasher. • Do not add detergent. • Pour two cups of vinegar into a bowl and set it on the bottom rack of the dishwasher. • Run the dishes through an entire wash program. <p>If the vinegar rinse doesn't work, repeat the above process substituting 1/4 cup citric acid crystals (available at most drug stores) for the vinegar.</p> <p>Wiping with a damp cloth should remove spots from metal items. For sterling silver and silver plated flatware, rub with a towel, or use a good cream silver polish.</p> <p>Filter system: Check filter system to be sure it is clean and properly installed.</p>

Troubleshooting

PROBLEM	POSSIBLE CAUSE AND/OR REMEDY
Spotting and filming	<p>No rinse agent: Does the rinse agent dispenser need to be filled?</p> <p>Dishwasher detergent: Use only the correct amount of dishwasher detergent according to the hardness of the water and the wash program you have selected. Do not use old or caked detergent. Store the dishwasher detergent in a dry place and in a closed container. Change the dishwasher detergent if the result is still unsatisfactory.</p> <p>Items not loaded properly: Check that you loaded the items according to the instructions on pages in this manual. Do not overload. Make sure water can reach all soiled surfaces.</p>
Dishes are not clean	<p>Check that both wash arms can rotate freely and that items do not obstruct the movement of the wash arms. Lift the arms and make sure that no grains of dirt retard the rotation of the wash arms. If necessary, clear the obstruction, refit the arms, and check that they rotate freely. Be sure a utensil or handle has not prevented their turning.</p>
Strainer blocked	<p>Check the strainer. Clean if necessary. Refer to maintenance section in this manual.</p>
Excessive foam in the machine	<p>Use only dishwasher detergent.</p>
Marks and discoloration	<p>Aluminum utensils rubbing against items during washing: Be sure aluminum utensils, especially light weight foil-type pans, do not touch dishes. To remove spots, use a non-abrasive cleaner.</p>
Small particles deposited on items	<p>Detergent: Use only fresh detergent. Store in a tightly closed container in a cool dry place. Fill dispenser only when ready to start the dishwasher. Use the recommended amount of detergent, especially with hard water.</p>

Troubleshooting

PROBLEM	POSSIBLE CAUSE AND/OR REMEDY
Small particles deposited on items	<p>Improper loading of dishes: Load dishes to prevent water and detergent from being trapped in or between items. Water should circulate freely.</p> <p>Flatware incorrectly loaded: Pay particular attention to spoons so that they do not nest in each other and prevent water penetration.</p> <p>Make sure filters are installed properly. Filter may have clogged due to heavy sediment, food soil or hard water conditions.</p>
Yellow or brown marks	<p>Iron or manganese in water: Temporary solution: Pour in one teaspoon to one tablespoon of citric acid crystals instead of the prewash detergent. Follow this prewash with a full detergent wash. Use the pots/pans or normal wash cycle.</p> <p>Permanent solution: Install an iron removal system in the water supply.</p> <p>Copper with sterling silver: Yellow film on sterling silver results when washing copper items in the same load. Silver polish usually removes the stain.</p> <p>Tea or coffee (tannic acid): Tea or coffee can stain cups. Remove stains by hand, using a solution of 1/2 cup bleach and 3 cups warm water. (Do not use on sterling silver or silverplate.)</p>
Discoloration of stainless steel, silverplate, or sterling silver	<p>Allowing salty foods to remain on flatware Rinse flatware that is to stand several hours before washing.</p> <p>Stainless steel contacting silver: Do not put stainless steel and silver flatware in the same silverware basket compartment. Direct contact between these metals can cause permanent damage to silver. Clean stained items with silver polish. Do not use abrasives on stainless steel or silver.</p>
Distortion of plastics	<p>Plastic items have a low heat tolerance: Plastics vary in their ability to tolerate heat. Check washing instructions for all plastic items to be sure they are dishwasher safe.</p>
Marks on melamine and plastics	<p>Porous material: Use a special cleaner for plastic. DO NOT use bleach or scouring powder on these materials.</p>



Troubleshooting

PROBLEM	POSSIBLE CAUSE AND/OR REMEDY
Detergent left in detergent compartment	<p>Compartment cover blocked: The cover may not be opening because of improperly loaded items. Move dishes that may be blocking it.</p> <p>Old detergent: If detergent is hard or caked in the box, throw away. Use only fresh detergent. Add detergent just before starting the dishwasher.</p>
Cloudy film on glassware-etching of glass	<p>Too much detergent: especially in soft water. If vinegar or citric acid rinse doesn't remove film, the cloudiness is "etching." This is permanent. If you have soft water, use the least amount (one teaspoon) of recommended dishwasher detergent to prevent etching. Use high quality dishwashing detergent and rinse aid. Do not overload the machine. Water should circulate freely to assure adequate rinsing and draining. Dry without heat.</p>
Dishes not dry	<p>Non-heat drying: Allow more drying time when using non-heat drying.</p> <p>No rinse agent: Fill rinse agent dispenser. Rinse agent helps dishes to dry faster.</p> <p>Plastic items: Certain plastic materials are difficult to dry. Plastics may need towel drying.</p> <p>Improper loading or unloading: Do not overload or nest items. Be sure all surfaces drain well. Load items with concave bases so as much water as possible can run off. Unload the lower rack first. Water from dishes in the upper rack may be spilling onto the lower rack.</p>
Chipping or breaking of glassware	<p>Improper loading: Do not overload. Load between prongs, not over them. Glasses loaded over prongs are not supported and may break. Make sure glassware is secure. Always use upper rack for delicate items. Use the light/china cycle.</p>
Unusual noise	<p>Improper loading: Utensils may not be secure or may have dropped from the rack. Water may cause utensils to rattle. Make sure everything is securely placed in dishwasher.</p>

Troubleshooting

PROBLEM	POSSIBLE CAUSE AND/OR REMEDY
Dishwasher will not fill	<p>Door open: Check that door is firmly closed.</p> <p>Controls: Check that dishwasher is on.</p> <p>Water feed line: Check to see that the water feed line is not crimped.</p> <p>Water supply: Be sure water is available and turned on.</p>
Water backs up in sink when dishwasher drains	<p>Food waste disposer and trap: Check disposer and trap at sink for blockage or food particles.</p>
Water left in bottom near filters	<p>Dishwashing cycle not complete: Allow dishwasher to complete cycle.</p> <p>Some water is normal. Water left in removable coarse strainer is normal.</p>
Dishwasher will not drain	<p>The drain hose is clogged/blocked: Check to make sure there are no obstacles in the hose where it connects to the water. Foreign particles can get stuck in the entrance of the connection line. Also, check to make sure that the cone-shaped connection line has been cut to an inner diameter of at least 3/4" (1.9 cm).</p> <p>The drain hose is kinked: Check to make sure that there are no folds or sharp bends in the drain hose.</p>
Odor in your dishwasher	<p>If you are only running your dishwasher every 2 to 3 days, bacteria in the food soil left on your dishes will create an unpleasant odor. Use the Rinse/Hold option in between cycles. To help eliminate the odor, use a detergent with chlorine bleach and an extra heat option with your cycle.</p> <p>If large chunks of food soil are left on plates and dishes, it may take several washes for them to pass through the filtration system of the dishwasher, thus causing food odor. Make sure the dishwasher is cool; remove chunks of food soil from filter area. Then run your dishwasher as normal.</p> <p>There are products that you can use to clean your dishwasher such as Glisten, Dishwasher Magic® and Lemi Shine. These products will leave your dishwasher free of odor, spots, deposits and hard water build-up.</p>
Dishwasher has a plastic smell	<p>Your dishwasher may have parts that have a plastic odor to them. Place 2 cups white vinegar in a dishwasher safe measuring cup and place in the lower rack. Do not use detergent. Run the dishwasher through the longest cycle with an extra heat option. Do not use heated dry.</p>



Troubleshooting/Fault Codes (For Dishwashers built prior to 05/26/10. Date code is listed on serial tag.)

FLASH					FAULT	ACTION
Pots/Pans	Normal	Economy	China	Rinse		
X					Drain Timeout	<ol style="list-style-type: none"> 1. Turn water on at the sink and run garbage disposal to verify that sink is not clogged. 2. Verify that dishwasher drain hose is not clogged or kinked. 3. If draining into disposal, verify that plug has been removed from disposal. 4. Verify that hose has a high loop, per installation guide. 5. Verify dishwasher is level front to back and side to side. 6. Verify filters are not clogged. Reset Unit and try again. If problem persists, contact service.
X	X				Fill Timeout	<ol style="list-style-type: none"> 1. Verify water supply to dishwasher is turned on. 2. Verify that fill line is not kinked. 3. Verify that dishwasher is level front to back and side to side. 4. Turn water on at sink and verify there has not been a decrease in water pressure. Reset Unit and try again. If problem persists, contact service.
X	X	X			Flood Sensor Disconnect	Reset Unit and try again. If problem persists, contact service.
X		X			Temperature Sensor Disconnect	Reset Unit and try again. If problem persists, contact service.
X		X	X	X	Cycle Error (Motor Control Data Processor)	Reset Unit and try again. If problem persists, contact service.
X			X		Motor Control Communication Error	Reset Unit and try again. If problem persists, contact service.
X			X	X	Motor Control Status Error	Reset Unit and try again. If problem persists, contact service.
X				X	Diverter Error	Reset Unit and try again. If problem persists, contact service.
X	X	X	X	X	Cycle Error (Error Handler)	Reset Unit and try again. If problem persists, contact service.
	X	X			Pan Flood	Reset Unit and try again. If problem persists, contact service.
	X	X	X		Huba Disconnect	Reset Unit and try again. If problem persists, contact service.
	X	X	X	X	Cycle Error (Circulate)	Reset Unit and try again. If problem persists, contact service.
	X		X		UI-MC Communication Error	Reset Unit and try again. If problem persists, contact service.
	X		X	X	Cycle Error (Fill)	Reset Unit and try again. If problem persists, contact service.
	X			X	Sensor Error	<ol style="list-style-type: none"> 1. Verify that the dishwasher is level front to back and side to side. 2. Verify that drain hose has high loop, per installation guide. Reset Unit and try again. If problem persists, contact service.
		X			Counter Error (UI)	Reset Unit and try again. If problem persists, contact service.
		X	X		High Level Error	<ol style="list-style-type: none"> 1. Verify items in rack are properly retained so that they can not turn over. Reset Unit and try again. If problem persists, contact service.
		X	X	X	Cycle Error (Drain)	Reset Unit and try again. If problem persists, contact service.
		X		X	Circulate Timeout (Includes Diverter)	Reset Unit and try again. If problem persists, contact service.
			X		State Error (UI)	Reset Unit and try again. If problem persists, contact service.
			X	X	Cycle Error (Main)	Reset Unit and try again. If problem persists, contact service.
				X	Low Level Error	<ol style="list-style-type: none"> 1. Verify that no dishes have turned over and are holding a significant amount of water. 2. Verify drain hose has a high loop, per page X in installation guide. Reset Unit and try again. If problem persists, contact service.

NOTE: To reset unit, press and hold the "START" button for four seconds.



Troubleshooting/Fault Codes (For Dishwashers built on or after 05/26/10. Date code is listed on serial tag.)

FLASH		FAULT	ACTION
Pots/ Pans	Normal Wash		
1	1	Pan Flood Sensor Disconnect	Reset Unit and try again. If problem persists, contact service.
1	2	Motor Control Status Error	Reset Unit and try again. If problem persists, contact service.
1	3	Motor Control Comms Error	Reset Unit and try again. If problem persists, contact service.
1	4	Diverter Timeout	Reset Unit and try again. If problem persists, contact service.
1	5	Drain Error	<ol style="list-style-type: none"> 1. Turn water on at sink and run garbage disposal to verify that sink is not clogged. 2. Verify that dishwasher drain hose is not clogged or kinked. 3. If draining into disposal, verify that plug has been removed from disposal. 4. Verify that drain hose has high loop, per installation guide. 5. Verify that dishwasher is level front to back and side to side. 6. Verify filters are not clogged. Reset Unit and try again. If problem persists, contact service.
2	1	Huba Disconnect Error	Reset Unit and try again. If problem persists, contact service.
2	2	Fill Timeout	<ol style="list-style-type: none"> 1. Verify water supply to dishwasher is turned on. 2. Verify that fill line is not kinked. 3. Verify that dishwasher is level front to back and side to side. 4. Turn water on at sink and verify there has not been a decrease in water pressure. Reset Unit and try again. If problem persists, contact service.
2	3	Low Level Sensor Error	<ol style="list-style-type: none"> 1. Verify that no dishes have turned over and are holding a significant amount of water. 2. Verify that drain hose has high loop, per installation guide. Reset Unit and try again. If problem persists, contact service.
2	4	High Level Error	<ol style="list-style-type: none"> 1. Verify items in rack are properly retained so that they can not turn over. Reset Unit and try again. If problem persists, contact service.
2	5	Level Sensor Error	<ol style="list-style-type: none"> 1. Verify that dishwasher is level front to back and side to side. 2. Verify that drain hose has high loop, per installation guide. Reset Unit and try again. If problem persists, contact service.
3	1	UI-MC Comm Error	Reset Unit and try again. If problem persists, contact service.
3	3	Drain Pump Error	Reset Unit and try again. If problem persists, contact service.
5	5	Internal Error	Reset Unit and try again. If problem persists, contact service.
See Note A		Pan Flood	Reset Unit and try again. If problem persists, contact service.
See Note B		Power Loss	Reset Unit and try again. If problem persists, contact service.

Note A - Both lights flash continuously.

Note B - All lights, except START and RUN (select models), flash continuously.

Note C - To reset unit, press and hold the "START" button for four seconds.

Note D - Numbers listed indicate the times the lights will flash when a specific error is detected (example: For a drain error, the POTS/PANS light will flash once and the NORMAL WASH light will flash 5 times).

Turning Audible Sound On and Off:

To turn off, press Rinse/Hold button for 10 seconds. The beep stops and the Rinse/Hold LED will flash 2 times. (Note: The audible sound cannot be disabled for error messages.) To turn on, repeat above instructions. The audible sound beeps 2 times and the Rinse/Hold LED flashes 2 times to identify that it is on. (Note: The LED will flash in sync with the audible sound.)



Service Information

If service is required, call your dealer or authorized service agency. The name of the authorized service agency can be obtained from the dealer or distributor in your area.

Have the following information readily available.

- Model number
- Serial number
- Date purchased
- Name of dealer from whom purchased

Clearly describe the problem that you are having. If you are unable to obtain the name of an authorized service agency, or if you continue to have service problems, contact Viking Range Corporation at 1-888-VIKING1 (845-4641), or write to:

**VIKING RANGE CORPORATION
PREFERRED SERVICE
1803 Hwy 82W
Greenwood, Mississippi 38930 USA**

Record the information indicated below. You will need it if service is ever required. The model and serial numbers are located on an identification label attached to the left side of the tank. For access, simply open the door of the dishwasher.

Model no. _____ Serial no. _____

Date of purchase _____ Date installed _____

Dealer's name _____

Address _____

If service requires installation of parts, use only authorized parts to insure protection under the warranty.

Keep this manual for future reference.

Warranty

One Year Full Warranty

Built-In Dishwashers and all of their component parts, except as detailed below*, are warranted to be free from defective materials or workmanship in normal household use for a period of twelve (12) months from the date of original retail purchase. Viking Range Corporation, warrantor, agrees to repair or replace, at its option, any part which fails or is found to be defective during the warranty period.

*Painted and decorative items are warranted to be free from defective materials or workmanship for a period of ninety (90) days from the date of original retail purchase. ANY DEFECTS MUST BE REPORTED TO THE SELLING DEALER WITHIN NINETY (90) DAYS FROM DATE OF ORIGINAL RETAIL PURCHASE.

Five Year Limited Warranty

Any upper and/or lower nylon rack which rusts through due to defective materials or workmanship and any electronic controls which fail due to defective materials or workmanship in normal household use during the second through fifth year from the date of original retail purchase will be repaired or replaced, free of charge for the part itself, with the owner paying all other costs, including labor.

Any motor/pump assembly or water distribution system component as listed below which fails due to defective materials or workmanship in normal household use during the second through fifth year from the date of original retail purchase will be repaired or replaced, free of charge for the part itself, with the owner paying all other costs, including labor.

Motor/Pump and Water Distribution System Components

Circulation motor/pump	Lower wash arm
Drain motor/pump	Tube to upper wash arm
Fill valve	Upper wash arm

Warranty

Lifetime Limited Warranty

Any stainless steel tank or inner door liner which develops a water leak due to defective materials or workmanship in normal household use during the lifetime of the product will be repaired or replaced, free of charge for the part itself, with the owner paying all other costs, including labor.

NINETY (90) DAY RESIDENTIAL PLUS WARRANTY

This warranty applies to applications where use of the product extends beyond normal residential use. Examples are, but not limited to, bed and breakfasts, fire stations, private clubs, churches, etc. This warranty excludes all commercial locations such as restaurants, food service locations and institutional food service locations.

This warranty extends to the original purchaser of the product warranted hereunder and to each transferee owner of the product during the term of the warranty.

This warranty shall apply to products purchased and located in the United States and Canada. Products must be purchased in the country where service is requested. Warranty labor shall be performed by an authorized Viking Range Corporation service agency or representative. Warranty shall not apply to damage resulting from abuse, accident, natural disaster, loss of electrical power to the product for any reason, alteration, outdoor use, improper installation, improper operation, or repair or service of the product by anyone other than an authorized Viking Range Corporation service agency or representative. This warranty does not apply to commercial usage. Warrantor is not responsible for consequential or incidental damage whether arising out of breach of warranty, breach of contract, or otherwise. Some jurisdictions do not allow the exclusion or limitation of incidental or consequential damages, so the above limitation or exclusion may not apply to you.

Owner shall be responsible for proper installation, providing normal care and maintenance, providing proof of purchase upon request, and making the appliance reasonably accessible for service. If the product or one of its component parts contains a defect or malfunction during the warranty period, after a reasonable number of attempts by the warrantor to remedy the defects or malfunctions, the owner is entitled to either a refund or replacement of the product or its component part or parts. Warrantor's liability on any claim of any kind, with respect to the goods or services covered hereunder, shall in no case exceed the price of the goods or service or part thereof which gives rise to the claim.

Warranty

WARRANTY SERVICE:

Under the terms of this warranty, service must be performed by a factory authorized Viking Range Corporation service agent or representative. Service will be provided during normal business hours, and labor performed at overtime or premium rates shall not be covered by this warranty. To obtain warranty service, contact the dealer from whom the serial number and date were originally purchased. For the name of your nearest authorized Viking Range Corporation service agency, call the dealer from whom the product was purchased or Viking Range Corporation. IMPORTANT: Retain proof of original purchase to establish warranty period.

The return of the Owner Registration Card is not a condition of warranty coverage. You should, however, return the Owner Registration Card so that Viking Range Corporation can contact you should any question of safety arise which could affect you.

Any implied warranties of merchantability and fitness applicable to the above described nylon racks, motor/pump assembly, water distribution system, stainless steel tank, or stainless steel inner door liner are limited in duration to the period of coverage of the applicable express written limited warranties set forth above. Some jurisdictions do not allow limitations on how long an implied warranty lasts, so the above limitation may not apply to you. This warranty gives you specific legal rights, and you may also have other rights which may vary from jurisdiction to jurisdiction.

Specifications subject to change without notice.

