



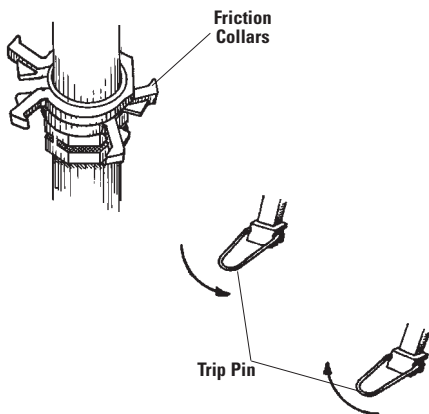
ZINC IMPACT SPRINKLER

ASPERSOR DE IMPACTO DE ZINC

Adjusting the Distance of Spray

The distance of spray may be adjusted in one of these ways:

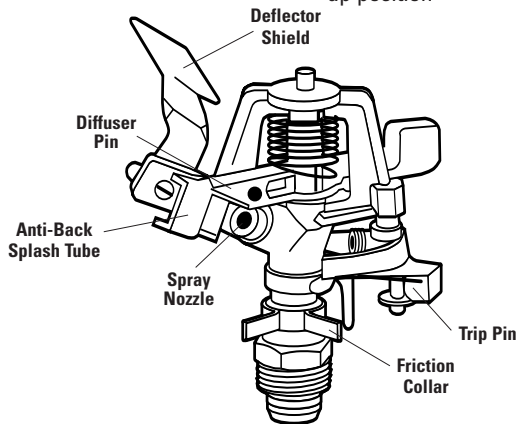
- 1 Diffuser Pin Assembly: Screw pin into stream to reduce coverage.
- 2 Deflector Shield Assembly: Push deflector into stream to reduce coverage



Adjusting the Pattern

The pattern can be adjusted with the following methods:

- 1 Partial Circle Coverage: Push the trip pin to the down position. Slide the friction collars to adjust any portion of a 360° circle.
- 2 Full Circle Coverage: Push the trip pin to the up position



For outdoor use with cold water only

Orbit® Irrigation Products, Inc.
North Salt Lake, UT 84054 USA
www.orbitonline.com
1-800-488-6156

PN 58001-03 Rev C



© 2005 Orbit® Irrigation Products, Inc.
All rights reserved. All trade names are registered trademarks of respective manufacturers listed.

MADE IN	<input type="checkbox"/> USA
HECHO EN	<input type="checkbox"/> CHINA
	<input type="checkbox"/> TAIWAN

Six year warranty | Garantía de seis años