



# TeamConnect Ceiling Medium Plus

Model: TCC M Plus

- Quick Guide
  - Kurzanleitung
  - Guide de démarrage rapide
  - Guida rapida
  - Instrucciones resumidas
  - Instruções resumidas
  - Beknopte gebruiksaanwijzing
  - Krótka instrukcja obsługi
  - Snabbguide
- Kort vejledning
  - Pikaohje
  - Σύντομες οδηγίες
  - Kisa Kilavuz
  - Краткая инструкция
  - 快速指南
  - クイックガイド
  - 요약 안내서

SENNHEISER



[www.sennheiser.com/documentation](http://www.sennheiser.com/documentation)



[www.sennheiser.com/download](http://www.sennheiser.com/download)

Sennheiser electronic SE & Co. KG

Am Labor 1, 30900 Wedemark, Germany  
[www.sennheiser.com](http://www.sennheiser.com)

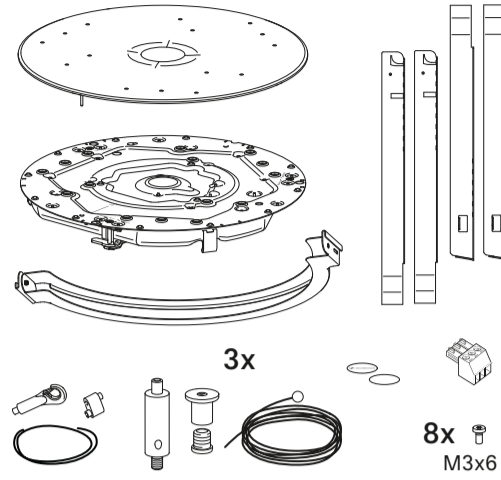
Publ. 06/26, 402245/A02

## In the Box

### Ceiling Mic Flush Mount Set

TCC M Plus F-W  
White Version  
Art. no. 700507

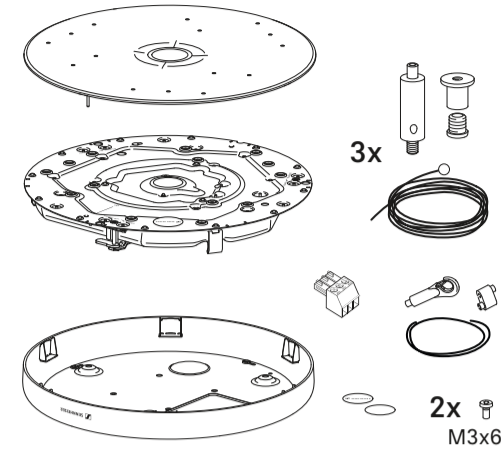
TCC M Plus F-B  
Black Version  
Art. no. 700508



### Ceiling Mic Housing/Suspension Set

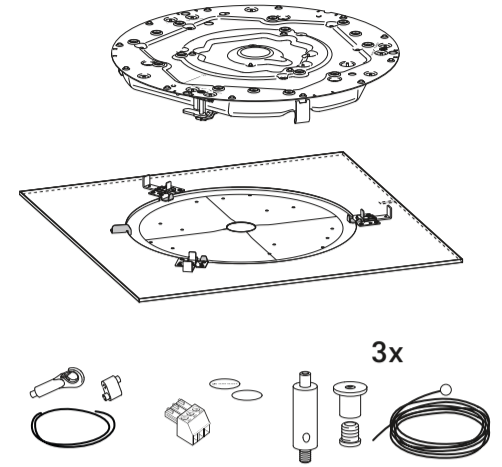
TCC M Plus S-W  
White Version  
Art. no. 700509

TCC M Plus S-B  
Black Version  
Art. no. 700510



Ceiling Tile Set  
60 cm  
TCC M Plus CT-W  
Art. no. 700519

Ceiling Tile Set 2ft  
TCC M Plus CT-W 2FT  
Art. no. 700520

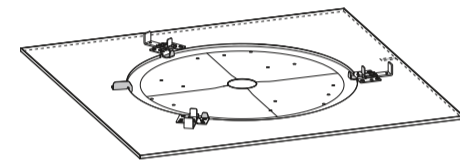


## Accessories

### Ceiling Tile Plate - TCC M CTFP-W

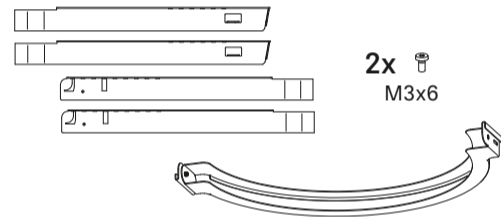
60 cm Version  
Art. no. 700515

2ft Version  
Art. no. 700516



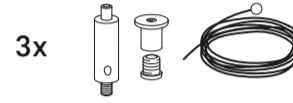
### Spare Mount Kit - TCC M SFK

Art. no. 700305



### Suspension Kit - TCC M SK

Art. no. 700237



### Spare Front Plate - TCC M SFP



Art. no. 700235



Art. no. 700236

### Spare Housing - TCC M H



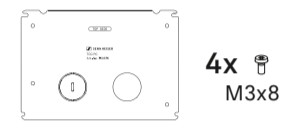
Art. no. 700238



Art. no. 700239

### Plenum Cover - TCC PC

Art. no. 700676



### Spare Logo Plate - TCC M SLP

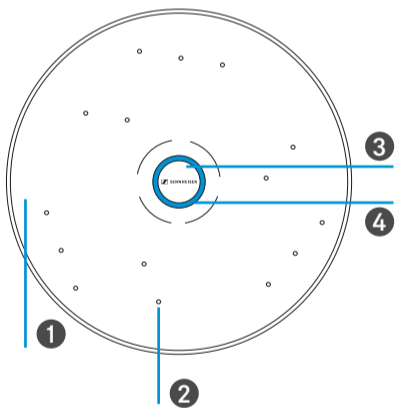
White Version  
Art. no. 700673

Black Version  
Art. no. 700672



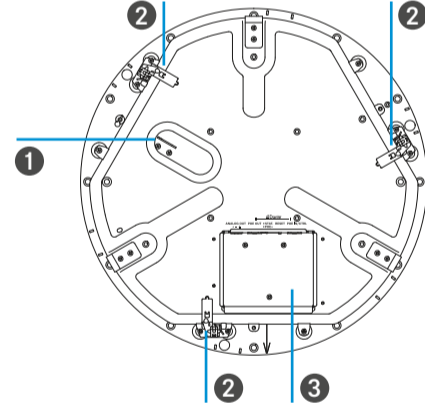
## Product Overview

### Front



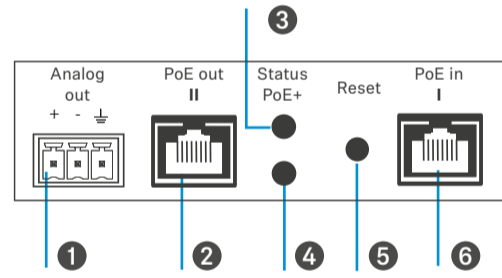
- 1 Front Plate
- 2 Microphones
- 3 Replaceable Logo Plate
- 4 Status LED Ring

### Back



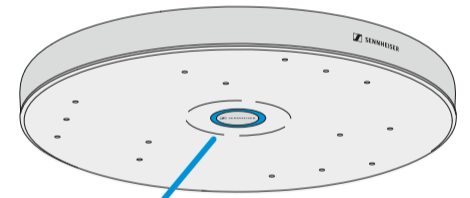
- 1 Hook for mounting rope
- 2 Downholder for mounting
- 3 Cable Duct

### Interfaces



- 1 Analog OUT
- 2 PoE OUT II
- 3 Daisy Chain Status
- 4 PoE Status
- 5 Reset (long press)
- 6 PoE IN I / CTRL

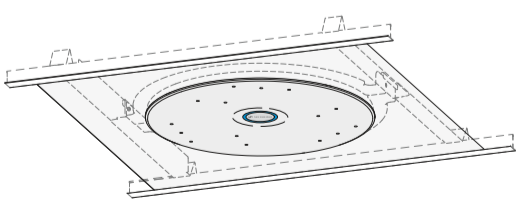
### Status LED



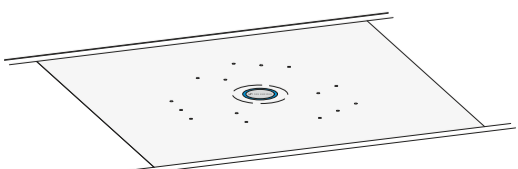
- On (Yellow)
- Mute (Red)
- Standby (Grey)
- PartnerLink Pairing (Blue/Red)

## Mounting Options

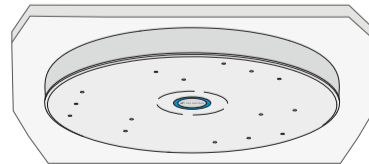
### Flush Mounted



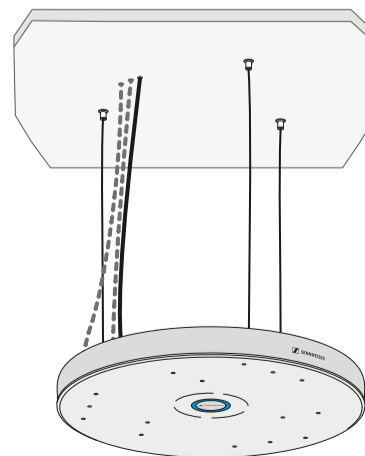
### Ceiling Tile Flush Mounted



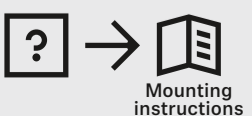
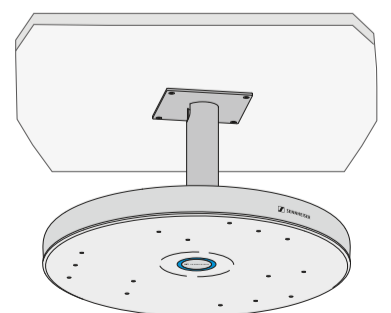
### Surface Mounted

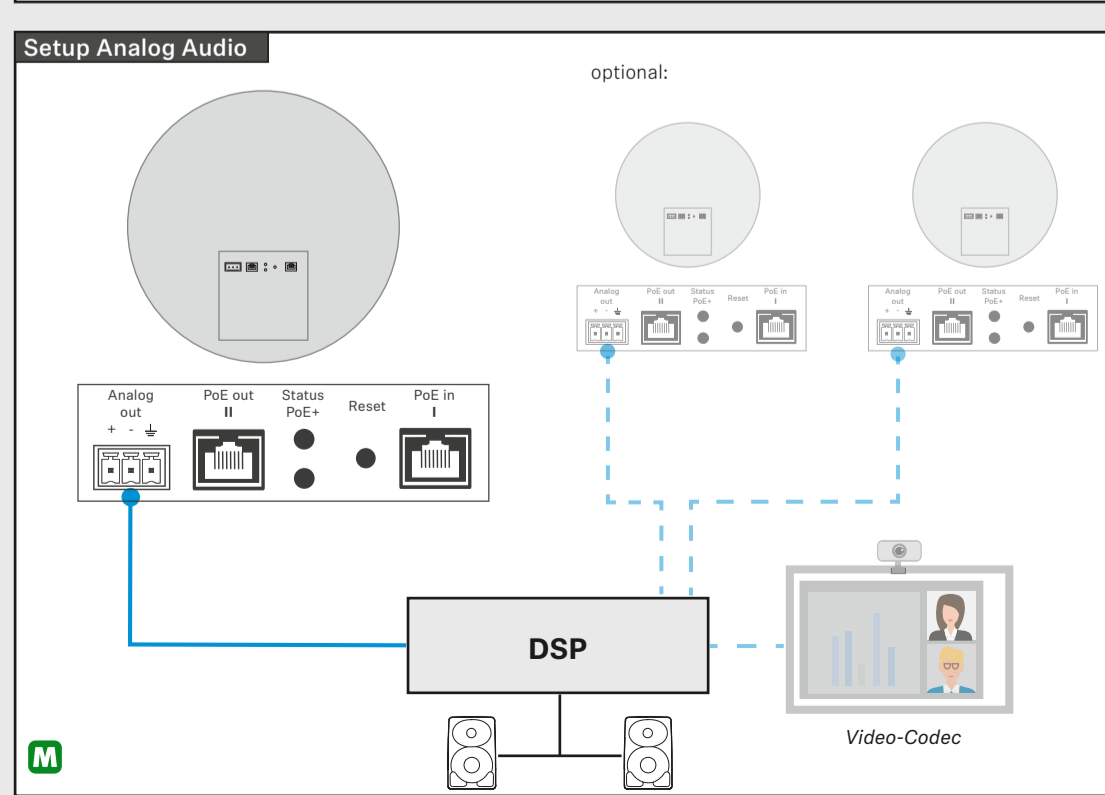
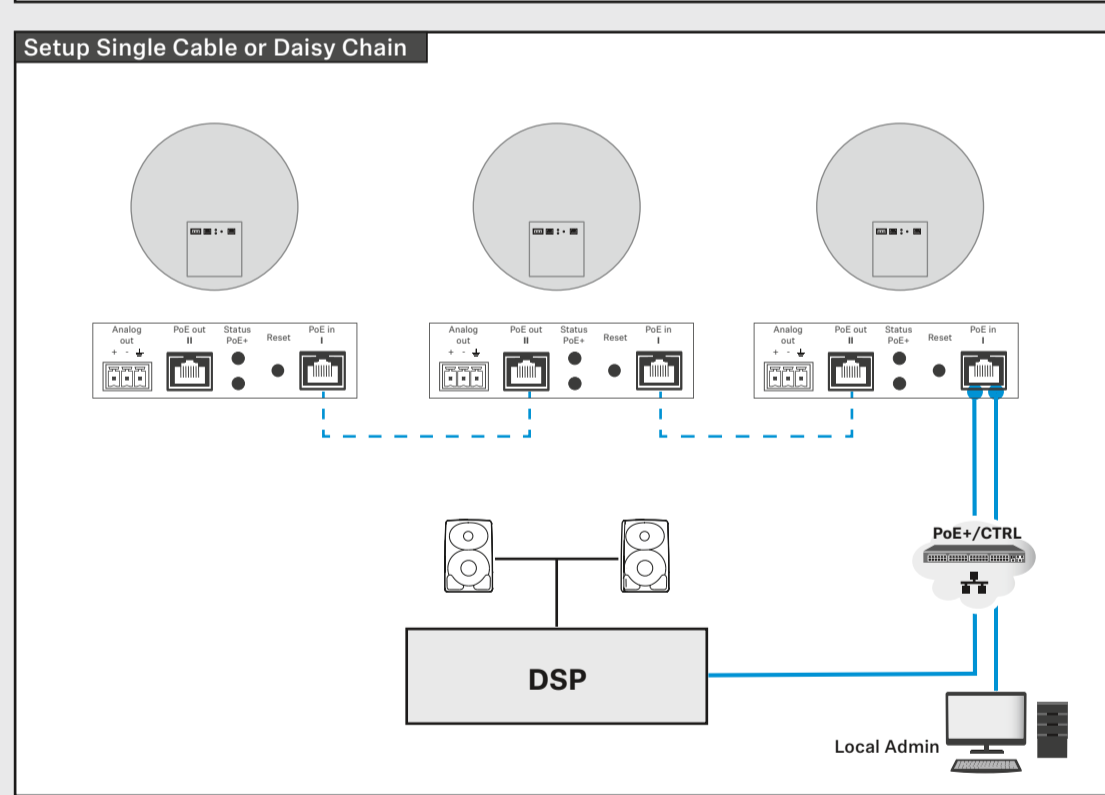
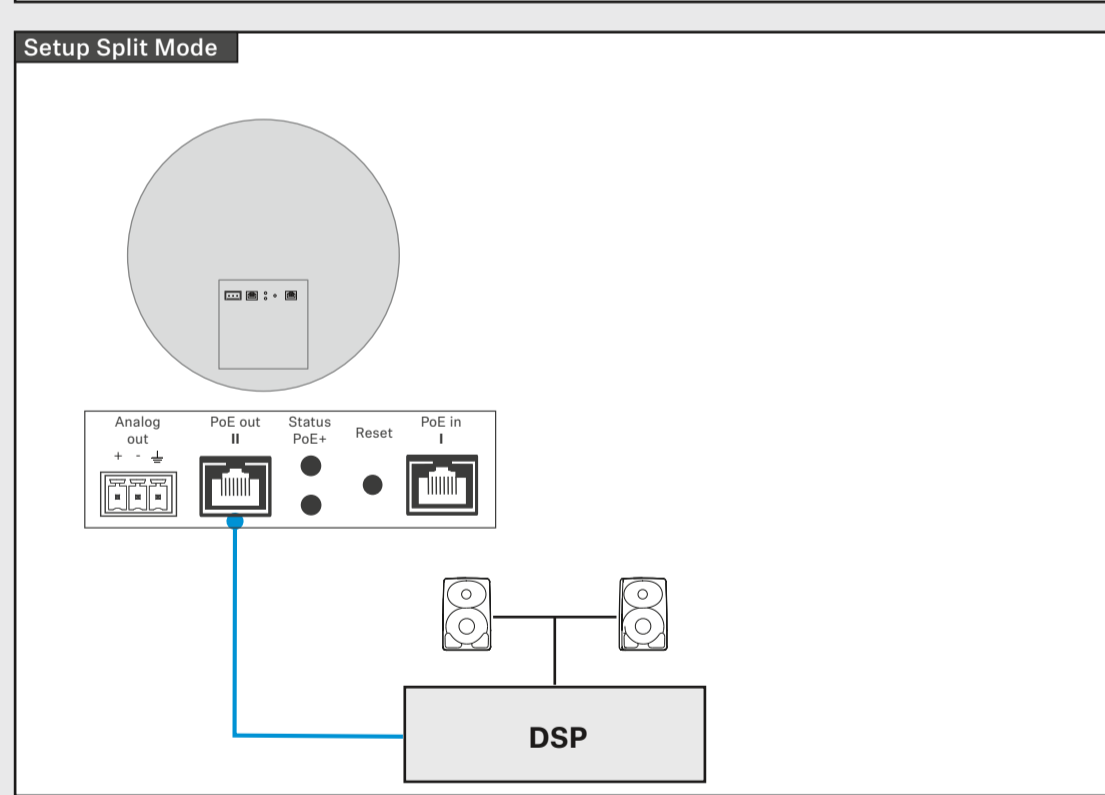
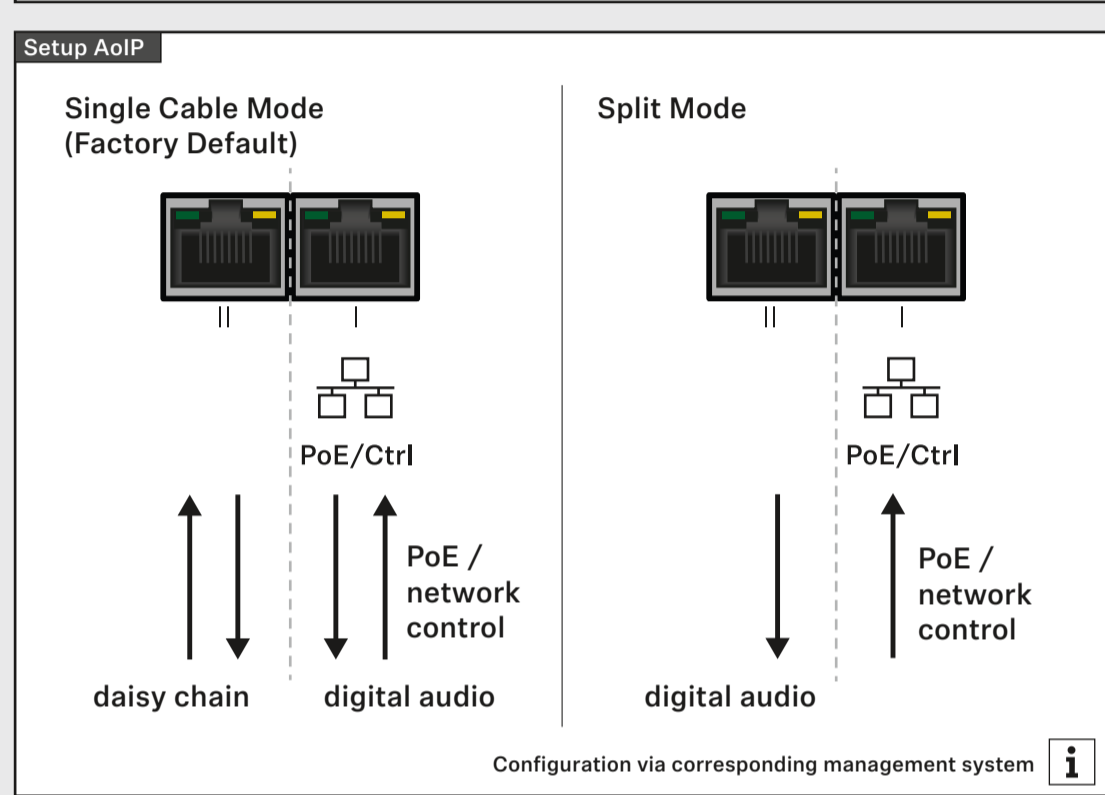
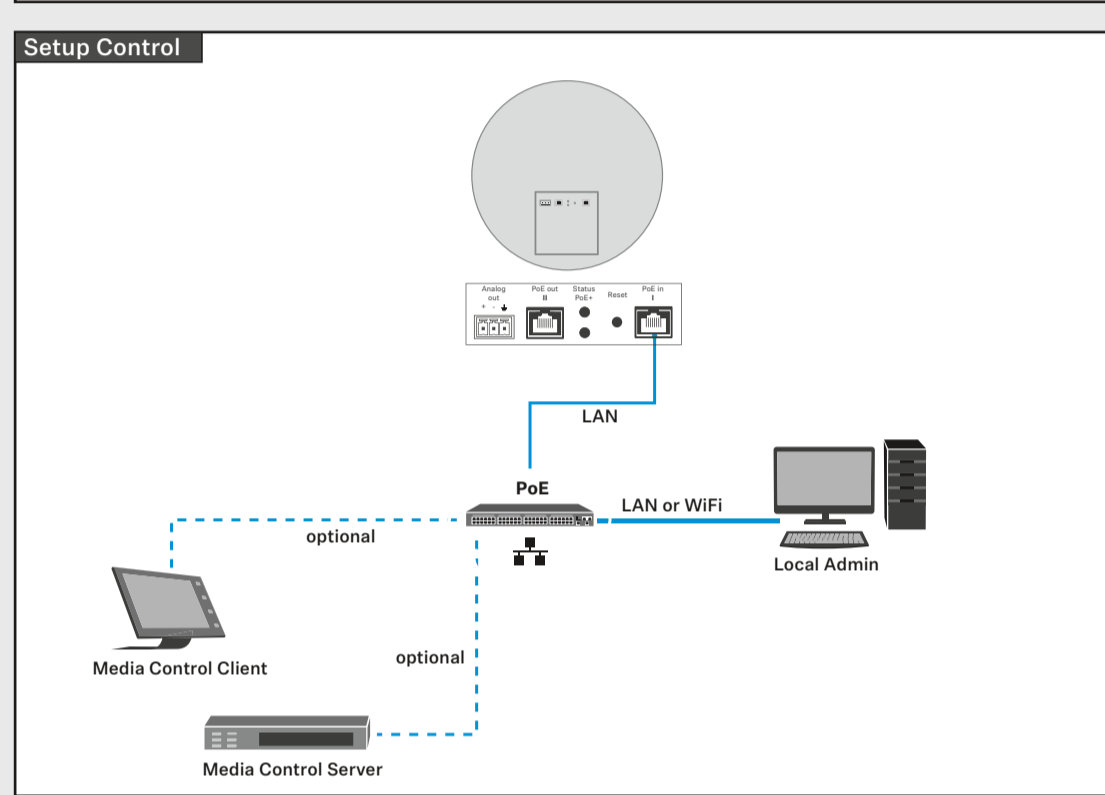
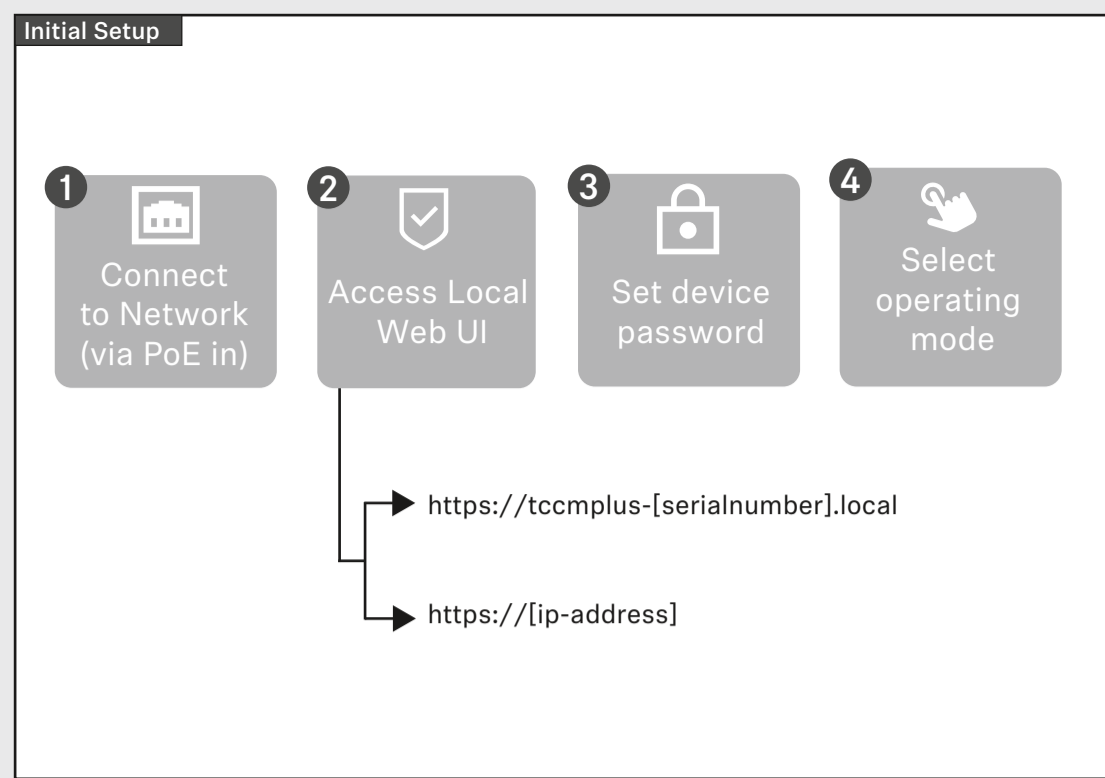


### Suspended



### VESA Mounted





Instruction manual | Bedienungsanleitung | Notice d'emploi | Istruzioni per l'uso | Instrucciones de manejo | Manual de instruções | Gebruiksaanwijzing | Instrukcja obsługi | Bruksanvisning | Betjenings vejledning | Käyttöohje | Οδηγίες λειτουργίας | Kullanım kılavuzu | Инструкция по эксплуатации | 使用说明书 |取扱説明書 | 사용 설명서

