

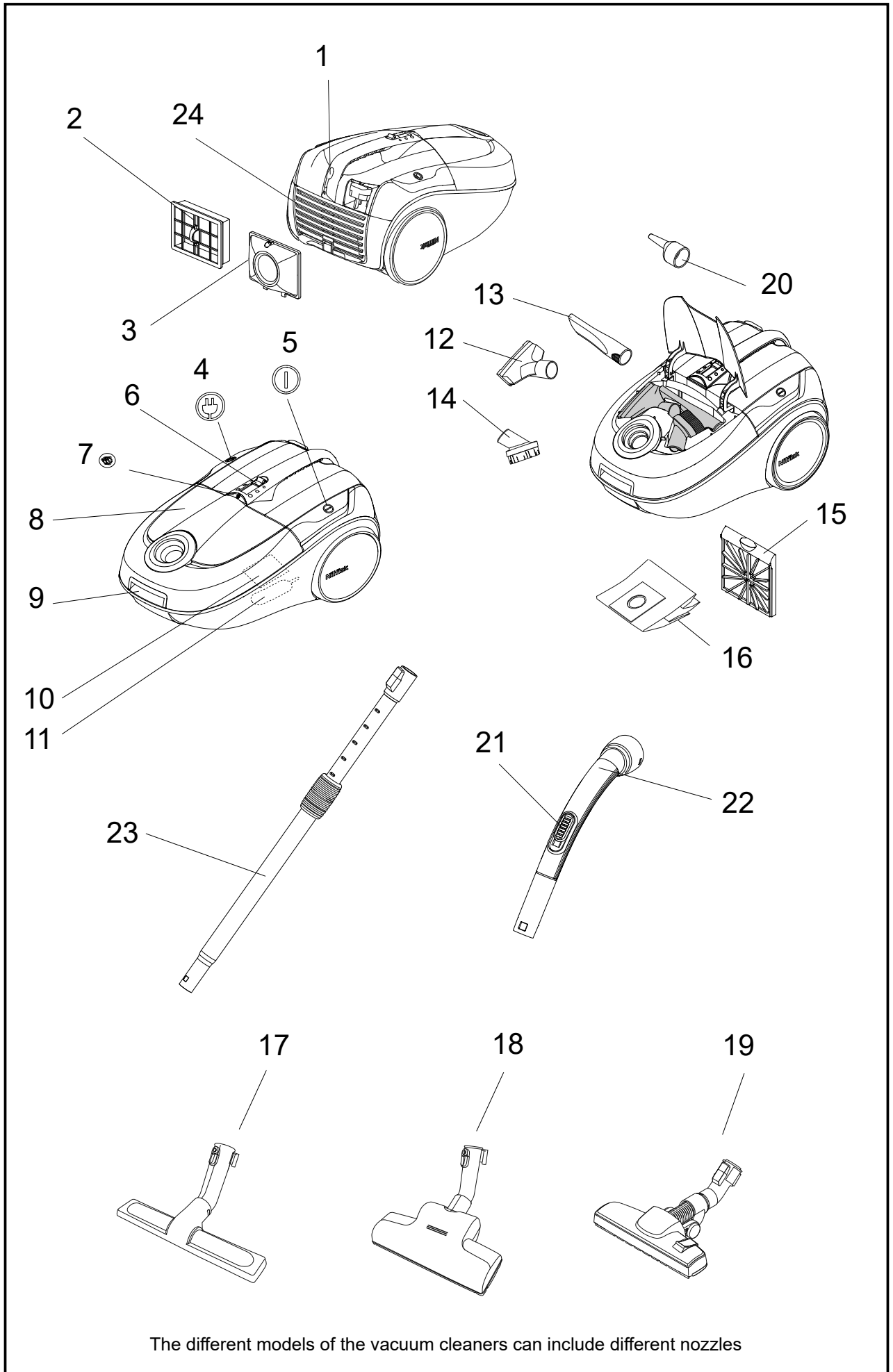
# Bravo

## Instructions for use



128350296 b (11.2017)  
EN

 **Nilfisk**<sup>®</sup>



The different models of the vacuum cleaners can include different nozzles

Welcome!

Thank you for choosing the  
Nilfisk Bravo vacuum cleaner

## Overview

- 1 Parking bracket
- 2 EPA filter
- 3 Blow function lid
- 4 Cable rewinder
- 5 On/off button
- 6 Power level
- 7 Dust bag indicator, mechanical
- 8 Accessory lid
- 9 Open/close button, dust container
- 10 Rating plate
- 11 Parking bracket
- 12 Upholstery nozzle
- 13 Crevice nozzle
- 14 Brush nozzle
- 15 Prefilter
- 16 Dust bag
- 17 Hard floor nozzle  
(not standard)
- 18 Turbo nozzle
- 19 Power combination nozzle
- 20 Blow function nozzle
- 21 Sliding valve
- 22 Bent tube
- 23 Extension tube
- 24 Exhaust grill

## Table of contents

Overview	6
Safety instructions	7
Instructions for use	8
Cleaning tips	11
Trouble shooting	11
Service and maintenance etc.	12
Guarantee and service	12
Declaration of conformity	14
Technical specifications	15

## Safety instructions

- Do not use the machine without dust bag and filters properly fitted.
- This machine is not intended for the suction of hazardous materials or gas, doing so may expose people to serious health risks.
- The machine must not be used for the suction of water or other liquids.
- Do not pick up sharp objects such as needles or pieces of glass.
- Do not pick up anything that is burning or smoking such as cigarettes, matches or hot ashes.
- Use and store this machine indoors and in a dry environment, 0 °C to 60 °C.
- Do not use the machine outdoors.
- Do not handle the machine with wet hands.
- Turn off the machine before unplugging.
- To unplug, grasp the plug, not by pulling the cord. Do not carry or pull the machine by the cord.
- The machine must not be used if the cord shows any sign of damage. Regularly inspect the cord for damage, in particular if it has been crushed, shut in a door or run over.
- Do not use the machine if it appears faulty. Have the machine inspected by an authorized service center if the machine has been dropped, damaged, left outdoors or has been exposed to water.
- No changes or modifications to the mechanical or electrical safety devices should be made.
- All repairs must be carried out by an authorized service center.
- Use only original dust bags, original filters and original accessories from your local dealer. Use of unauthorized dust bags and filters will void the warranty.
- Turn off the machine and unplug before starting dust bag or

filter change, grasp the plug, not by pulling on the cord.

- This appliance can be used by children aged from 8 years and above and persons with reduced physical, sensory or mental capabilities or lack of experience and knowledge if they have been given supervision or instruction concerning use of the appliance in a safe way and understand the hazards involved.
- Children shall be supervised to make sure that they do not play with the appliance.
- Cleaning and user maintenance shall not be made by children without supervision.
- If the supply cord is damaged, it must be replaced by the manufacturer or its service agent or similar qualified person in order to avoid a hazard.

## Instructions for use

Before using the machine make sure that the voltage shown on the rating plate underneath the machine corresponds with the mains voltage. The machine is supplied with dust bag, prefilter and EPA filter.

### Start and stop

#### Start


Pull out the cord and plug the machine to a wall socket.

Press the On/off button.

#### Stop

Turn off the machine and unplug. Unplug by grasping the plug, not by pulling on the cord.

### WARNING

 When activating the automatic cord rewind, care must be taken as the plug at the end of the cord can swing during the last part of the rewinding. It is recommended that you hold on to the plug while rewinding.

## 1 Connecting hose, tube and nozzles

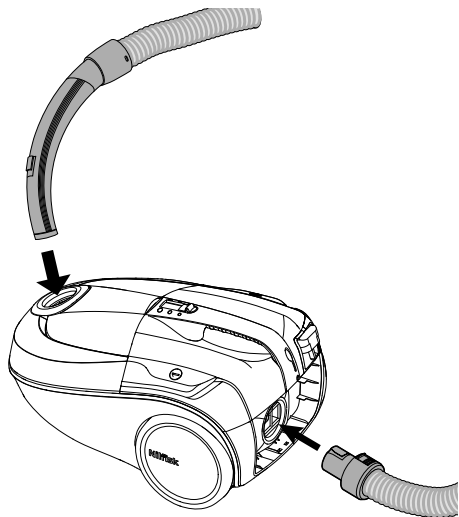
1. Insert the hose connector into the suction inlet.
2. Connect the bent tube to the tube.
3. Connect the tube to the nozzle.
4. The tube is telescopic and can be adjusted to your height. Push the adjusting button to extend the tube, and pull back to shorten, to desired length.

## 2 Blow function

1. Open the lid (exhaust grill 25) on the back of the machine.
2. Insert the hose connector into the blow outlet.

**Caution:**

To avoid leftover dust in the hose to be blown out into the room, insert the bent end into the hose inlet of the machine for a few seconds after turning on the blow function.



During use of the blow function, the vacuum cleaner may get warm and the thermal fuse, which prevents the machine from overheating, may switch off the vacuum cleaner. The machine must cool before it can be started again.

### Change of dust bag and filters

The size and quality of the dust bag and filters affect the machine efficiency. Use of non original dust bags or non original filters can cause restricted air flow which may lead to machine overload. Using non-original dust bag or filters will void the warranty.

## 3 Changing the dust bag

The dust bag must be changed if the lamp is constantly on when the machine is operating at maximum power and the nozzle is raised from the floor. Always use original dust bags.

1. Release the hose connection from the suction inlet.
2. Open the lid by pushing the button.

3. Remove the dust bag.
4. Insert the new dust bag by guiding the cardboard into the tracks and push it down.
5. Unfold the new dust bag carefully. Check that the dust bag is correctly fitted.
6. Close the lid.
7. Insert the hose connection into the suction inlet.

## 4 Changing the prefilter

The prefilter protects the motor by absorbing micro-particles that the dust bag can not keep. Change the prefilter with every fifth dust bag. The prefilter is located behind the dust bag. Always use original filters.

1. Release the hose connection from the suction inlet.
2. Open the lid by pushing the button.
3. Remove the dust bag.
4. Take out the filter holder with prefilter.
5. Open the filter holder.
6. Take out the prefilter.
7. Fit the new prefilter. Check that the prefilter is correctly fitted in the holder.
8. Put the filter holder into the track and push in place.
9. Insert the new dust bag by guiding the cardboard into the track and push it down.
10. Unfold the new dust bag carefully. Check that the dust bag is correctly fitted.
11. Close the lid.
12. Insert the hose connection into the suction inlet.

## 5 Changing the EPA filter

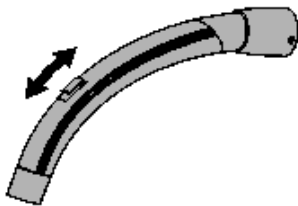
The EPA filter cleans the exhaust air from micro particles the dust bag can not keep. The EPA filter can not be brushed or washed clean.

1. Open the lid on the machine in the back.
2. Remove the blow function lid.
3. Take out the EPA filter.
4. Insert the new EPA filter. Check that the EPA filter is correctly fitted.
5. Put the blow function lid back.
6. Put the lid back and close.

### Adjust the suction power

#### Sliding valve on the bent tube

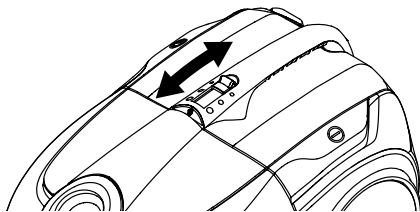
The suction power is maximal with the sliding valve closed and minimal when all open. Adjust the suction power by putting the sliding valve in the desired position.



#### Power regulation

The suction power is adjusted on the power regulator.

**Tip:** Adjust smaller suction power to reduce noise and pull force.



## 6 Parking the tube and nozzle

There are two grooves for parking. One located on the underside to use when machine stands on the back,

and the other on the back to use when the machine is standing on its wheels.

### Thermal fuse

The machine is fitted with a thermal fuse, which prevents the machine from overheating. If the thermal fuse blows, the machine automatically switches off the motor and must cool before it can be started again.

#### Restart

1. Turn off the machine and unplug from the wall socket.
2. See to that nothing blocks the air flow through the bent tube, hose, tube, nozzle, dust bag or filters.
3. Let the machine cool.
4. Plug in the machine again and push the start button. The machine will not start until cool enough. If the machine does not start turn it off and unplug. Try again in a while.

## Cleaning tips

Adjust the suction power by means of the power regulation or the sliding valve on the bent tube.

### 7 Crevice nozzle

Use the crevice nozzle for narrow spaces.

### 8 Upholstery nozzle

Use the upholstery nozzle for upholstered furniture.

### 9 Brush nozzle

Use the brush nozzle for curtains and window sills.

### 10 Hard floor nozzle

Use the nozzle for hard floors.

### 11 Power combi nozzle

Adjust the power combi nozzle depending on type of floor.

### 12 Turbo nozzle

Use the turbo nozzle for efficient carpet cleaning.

### 13 Blow function nozzle

Use the blow function nozzle to inflate e.g. an air mattress.

*The models can include different nozzles.*

## Trouble shooting

Repair or service of electrical components such as cord or motor, must only be carried out by an authorized service center.

<b>If the machine does not start</b>	Check that the plug is correctly fitted to the wall socket.
	A fuse in the building may have blown and need to be changed.
	The cord or plug may be damaged and must be repaired by an authorized service center.
<b>Reduced suction power</b>	The dust bag may be full and needs to be changed, see instructions.
	The prefilter or EPA filter may be blocked and have to be changed, see instructions.
	The bent tube, hose, tube or nozzle may be blocked and needs to be cleaned.
<b>If the machine stops</b>	The thermal fuse may have blown, see instructions.

## Service and maintenance

- Store the machine indoors and in a dry environment.
- Change the prefilter with every fourth dust bag.
- Clean the machine surface with a dry cloth or a damp cloth with a little cleaning agent.
- Order original accessories from a local dealer.
- Service – contact your local dealer.

## Recycling and scrapping

Recycle the wrapping and scrap the machine according to recommendations from the local authorities.

Cut the cord as short as possible to avoid someone getting injured on the scrapped machine.

## Environmental commitment

This machine is designed with the environment in mind. All plastic parts due marked for recycling.

## Responsibility

Nilfisk disclaim all responsibility for all damage caused by incorrect use or modification of the machine.

## Guarantee

The warranty can vary between different countries. Contact your local dealer for information.

## Guarantee and service

This Nilfisk Bravo vacuum cleaner is covered by a two (2) year guarantee on the machine, which covers the motor, cable rewriter, switch and casing. The nozzles, filters, hoses, tubes and other accessories are covered twelve months due to manufacturing fault only and excludes wear and tear. The guarantee includes spare parts and labour costs, and covers manufacturing and material defects that may occur during normal domestic use.

Service under the guarantee will only be performed if it can be proven that the defect occurred within the product's guarantee period (a correctly completed guarantee certificate or printed/stamped cash register receipt with date and product type) and on the condition that the vacuum cleaner was bought as a new product and distributed by Nilfisk.

In the event of the repair of defects, the customer must contact Nilfisk to be directed to a service agent at the customer's own expense.

Upon completion of any repairs necessary, the vacuum cleaner will be returned to the customer at the risk and expense of Nilfisk.

### Addendum Australia:

Our goods come with guarantees that cannot be excluded under the Australian Consumer Law. You are entitled to a replacement or refund for a major failure and for compensation for any other reasonably foreseeable loss or damage. You are also entitled to have the goods repaired or replaced if the goods fail to be of acceptable quality and the failure does not amount to a major failure.

Nilfisk vacuum cleaners for domestic use are warranted for 2 years from the date of purchase by:

Nilfisk Pty Ltd  
Unit 1/13 Bessemer Street

Blacktown NSW 2148

Phone: 1300 556 710

E-mail: [warranty@nilfisk.com.au](mailto:warranty@nilfisk.com.au)

Find your local service agent here:

<http://www.nilfisk.com.au>.

The benefits under this warranty are in addition to your national law of sale.

#### **The guarantee does not cover:**

- Normal wear and tear of accessories and filters.
- Defects or damage occurring as a direct or indirect result of incorrect use - such as the vacuuming of rubble, hot ashes or carpet deodorant powder.
- Abuse, loss or lack of maintenance as described in *Instructions for use*.
- If the machine has been used for home renovations.
- If the machine has been used for suction of water, plaster dust or sawdust.


Nor will it cover incorrect or poor configuration, i.e. setting up or connection, nor fire-damage, fire, lightning strike or unusual voltage fluctuations or any other electrical disturbances such as defective fuses or defective electrical installations on the supply grid, and defects or damage in general that Nilfisk consider to be the result of causes other than manufacturing and material defects.

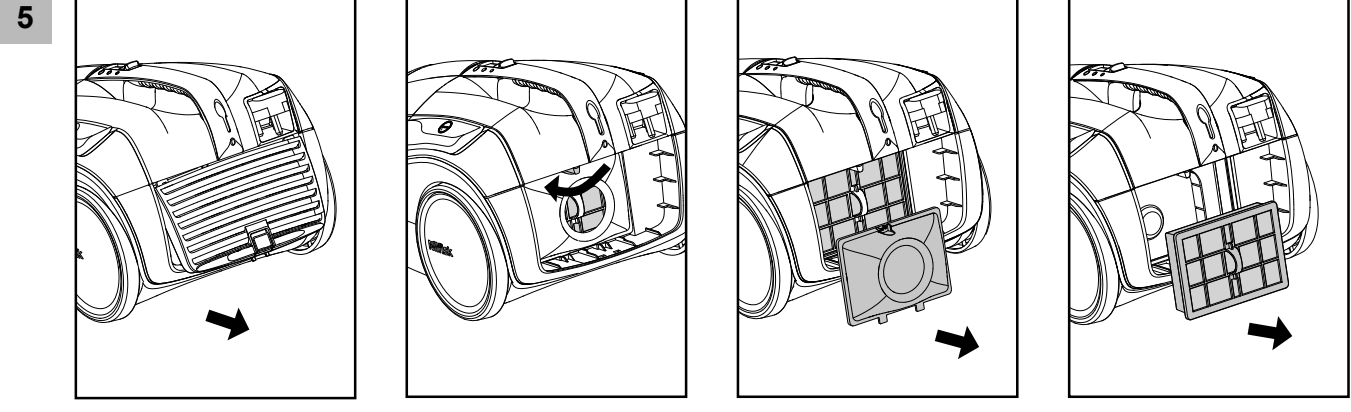
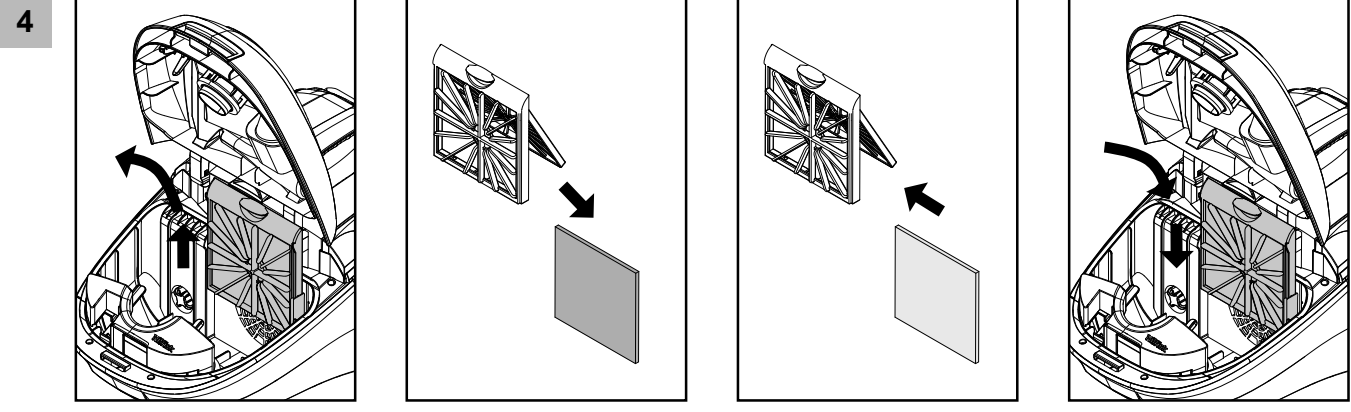
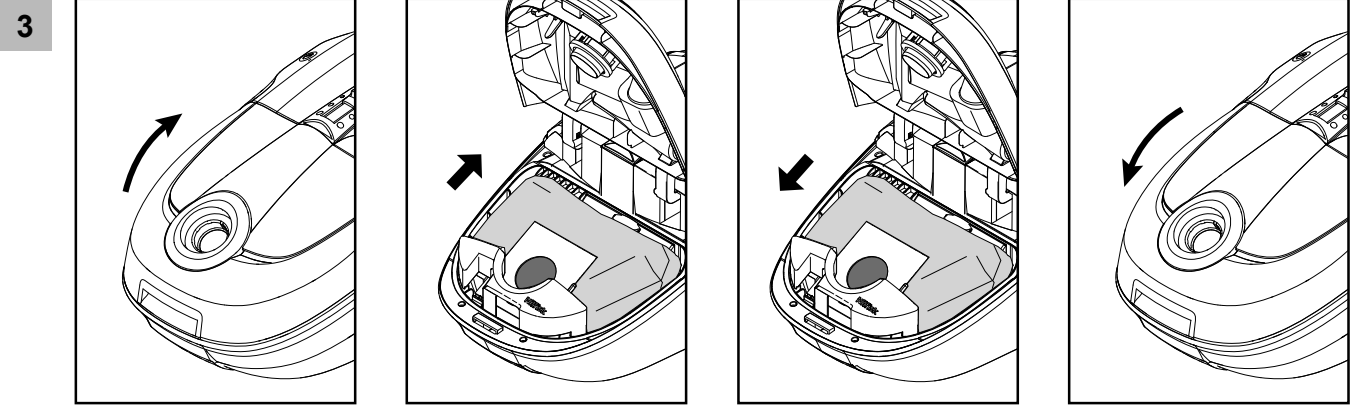
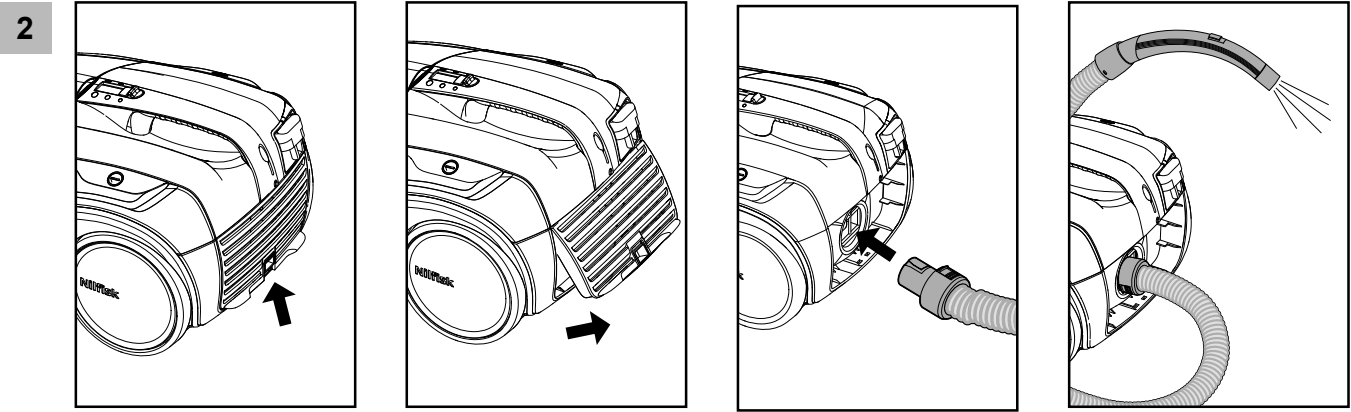
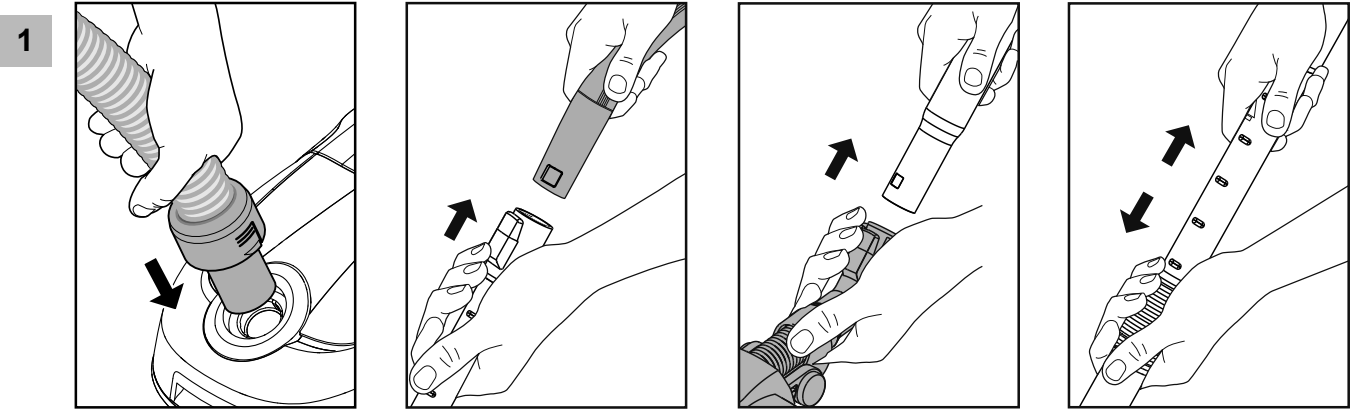
#### **The guarantee becomes void:**

- If a defect is caused by the use of non-original Nilfisk dust bags and filters.
- If the identity number is removed from the vacuum cleaner.
- If the vacuum cleaner has been repaired by a non-Nilfisk authorized dealer.
- If the machine is used in a commercial environment, i.e. building contractors, cleaning contractors, professional trades or any other non-domestic usage.

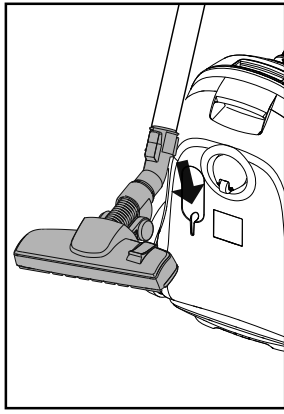
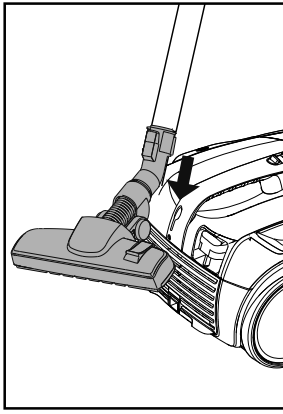
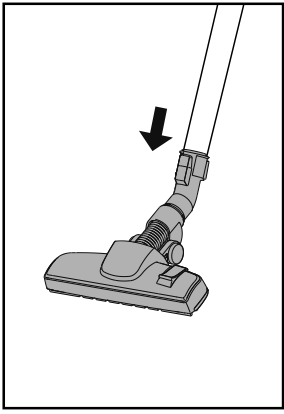
### **WEEE - Waste of Electric and Electronic Equipment**



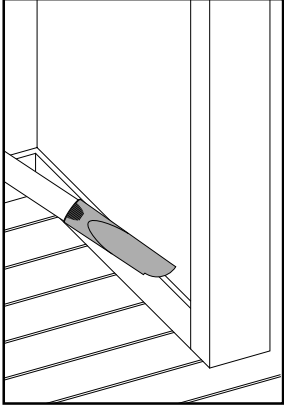
The symbol  on the product or on its packing indicates that this product may not be treated as household waste. Instead it shall be handed over to the applicable collection point for the recycling of electrical and electronic equipment. By ensuring this product is disposed of correctly, you will help prevent potential negative consequences for the environment and human health, which could otherwise be caused by inappropriate waste handling of this product. For more detailed information about recycling of this product, please contact your local city office, your household waste disposal service or the shop where you purchased the product.



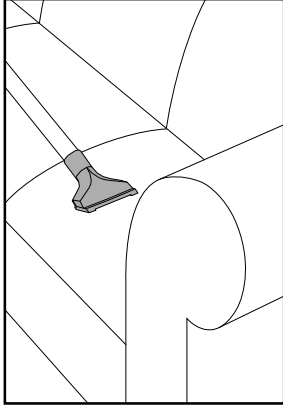
6



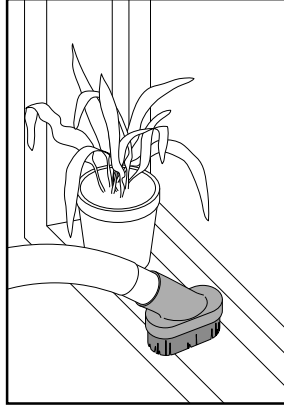
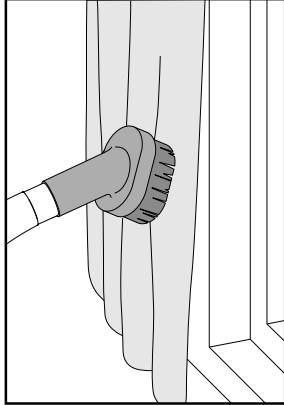
7



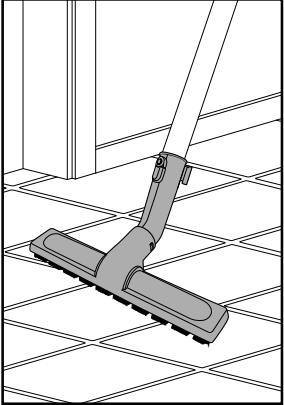
8



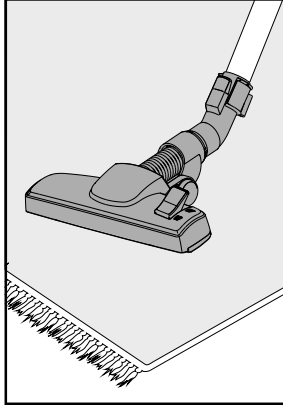
9



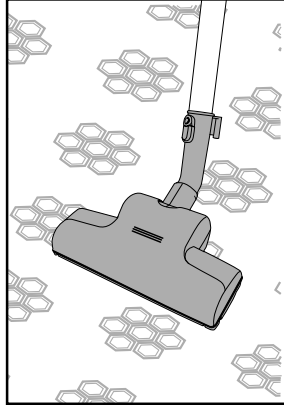
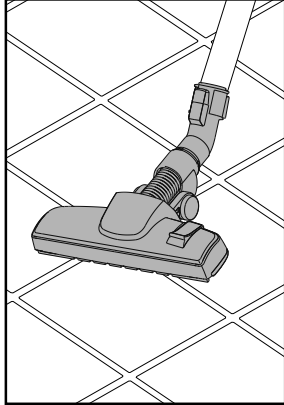
10



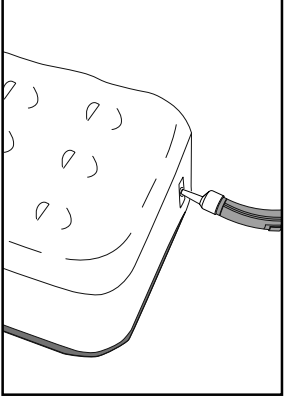
11



12



13





## HEAD QUARTER

### DENMARK

Nilfisk A/S  
Kornmarksvej 1  
DK-2605 Brøndby  
Tel.: (+45) 4323 8100  
Website: www.nilfisk.com

## SALES COMPANIES

### ARGENTINA

Nilfisk srl  
Edificio Central Park  
Herrera 1855, 6th floor/604  
Ciudad de Buenos Aires  
Tel.: (+54) 11 6091 1571  
Website: www.consumer.nilfisk.com.ar

### AUSTRALIA

Nilfisk Pty Ltd  
Unit 1/13 Bessemer Street  
Blacktown NSW 2148  
Tel.: (+61) 2 98348100  
Website: www.consumer.nilfisk.com.au

### AUSTRIA

Nilfisk GmbH  
Metzgerstrasse 68  
5101 Bergheim bei Salzburg  
Tel.: (+43) 662 456 400 90  
Website: www.nilfisk.at

### BELGIUM

Nilfisk n.v.s.a.  
Riverside Business Park  
Boulevard Internationaaleaan 55  
Bâtiment C3/C4 Gebouw  
Bruxelles 1070  
Tel.: (+32) 24 67 60 50  
Website: www.consumer.nilfisk.be

### Brazil

Nilfisk do Brasil  
Av. Eng. Luis Carlos Berrini, 550  
40 Andar, Sala 03  
SP - 04571-000 Sao Paulo  
Tel.: (+11) 3959-0300 / 3945-4744  
Website: www.nilfisk.com.br

### CANADA

Nilfisk Canada Company  
240 Superior Boulevard  
Mississauga, Ontario L5T 2L2  
Tel.: (+1) 800-668-8400  
Website: www.nilfisk.ca

### CHILE

Nilfisk S.A. (Comercial KCS Ltda)  
Salar de Llamara 822  
8320000 Santiago  
Tel.: (+56) 2684 5000  
Website: www.nilfisk.cl

### CHINA

Nilfisk  
4189 Yindu Road  
Xinzhuang Industrial Park  
201108 Shanghai  
Tel.: (+86) 21 3323 2000  
Website: www.nilfisk.cn

### CZECH REPUBLIC

Nilfisk s.r.o.  
VGP Park Horní Počernice  
Do Čertous 1/2658  
193 00 Praha 9  
Tel.: (+420) 244 090 912  
Website: www.consumer.nilfisk.cz

### DENMARK

Nilfisk A/S  
Kornmarksvej 1  
2605 Brøndby  
Tel.: (+45) 4323 4050  
Website: www.consumer.nilfisk.dk

### FINLAND

Nilfisk Oy Ab  
Koskelontie 23 E  
02920 Espoo  
Tel.: (+358) 207 890 600  
Website: www.consumer.nilfisk.fi

### FRANCE

Nilfisk SAS  
26 Avenue de la Baltique  
Villebon sur Yvette  
91978 Courtaboeuf Cedex  
Tel.: (+33) 169 59 87 24  
Website: www.consumer.nilfisk.fr

### GERMANY

Nilfisk GmbH  
Guido-Oberdorfer-Straße 2-10  
89287 Bellenberg  
Tel.: (+49) (0)7306/72-444  
Website: www.consumer.nilfisk.de

### GREECE

Nilfisk A.E.  
Αναπαύσεως 29  
Κορωπί Τ.Κ. 194 00

Tel.: (30) 210 9119 600  
Website: www.consumer.nilfisk.gr

### HOLLAND

Nilfisk B.V.  
Versterkerstraat 5  
1322 AN Almere  
Tel.: (+31) 036 5460760  
Website: www.consumer.nilfisk.nl

### HONG KONG

Nilfisk Ltd.  
2001 HK Worsted Mills  
Industrial Building  
31-39, Wo Tong Tsui St.  
Kwai Chung, N.T.  
Tel.: (+852) 2427 5951  
Website: www.nilfisk.com

### HUNGARY

Nilfisk Kft.  
II. Rákóczi Ferenc út 10  
2310 Szigetszentmiklós-Lakihegy  
Tel.: (+36) 24 475 550  
Website: www.nilfisk.hu

### INDIA

Nilfisk India Limited  
Pramukh Plaza, 'B' Wing, 4th floor, Unit No. 403  
Cardinal Gracious Road, Chakala  
Andheri (East) Mumbai 400 099  
Tel.: (+91) 22 6118 8188  
Website: www.nilfisk.in

### IRELAND

Nilfisk  
1 Stokes Place  
St. Stephen's Green  
Dublin 2  
Tel.: (+35) 3 12 94 38 38  
Website: www.nilfisk.ie

### ITALY

Nilfisk SpA  
Strada Comunale della Braglia, 18  
26862 Guardamiglio (LO)  
Tel.: (+39) (0) 377 414021  
Website: www.nilfisk.it

### JAPAN

Nilfisk Inc.  
1-6-6 Kita-shinyokohama, Kouhoku-ku  
Yokohama, 223-0059  
Tel.: (+81) 45548 2571  
Website: www.nilfisk.com

### MALAYSIA

Nilfisk Sdn Bhd  
Sd 33, Jalan KIP 10  
Taman Perindustrian KIP  
Sri Damansara  
52200 Kuala Lumpur  
Tel.: (+603) 6275 3120  
Website: www.nilfisk.com

### MEXICO

Nilfisk de Mexico, S. de R.L. de C.V.  
Pirineos #515 Int.  
60-70 Microparque  
Industrial W/Santiago  
76120 Queretaro  
Tel.: (+52) (442) 427 77 00  
Website: www.nilfisk.com

### NEW ZEALAND

Nilfisk Limited  
Suite F, Building E  
42 Tawa Drive  
0632 Albany Auckland  
Tel.: (+64) 9 414 1996  
Website: www.nilfisk.com

### NORWAY

Nilfisk AS  
Bjørnerudveien 24  
1266 Oslo  
Tel.: (+47) 22 75 17 80  
Website: www.consumer.nilfisk.no

### PERU

Nilfisk S.A.C.  
Calle Boulevard 162, Of. 703, Lima 33- Perú  
Lima  
Tel.: (511) 435-6840  
Website: www.nilfisk.com

### POLAND

Nilfisk Sp. Z.O.O.  
Millenium Logistic Park  
ul. 3 Maja 8, Bud. B4  
05-800 Pruszków  
Tel.: (+48) 22 738 3750  
Website: www.consumer.nilfisk.pl

### PORTUGAL

Nilfisk Lda.  
Sintra Business Park  
Zona Industrial Da Abrunheira  
Edificio 1, 1º A  
P2710-089 Sintra  
Tel.: (+351) 21 911 2670  
Website: www.nilfisk.pt

### RUSSIA

Nilfisk LLC

Vyatskaya str. 27, bld. 7/1st  
127015 Moscow  
Tel.: (+7) 495 783 9602  
Website: www.consumer.nilfisk.ru

### SINGAPORE

Den-Sin  
22 Tuas Avenue 2  
639453 Singapore  
Tel.: (+65) 6268 1006  
Website: www.densin.com

### SLOVAKIA

Nilfisk s.r.o.  
Bancikovej 1/A  
SK-821 03 Bratislava  
Tel.: (+421) 910 222 928  
Website: www.consumer.nilfisk.sk

### SOUTH AFRICA

Nilfisk (Pty) Ltd  
Kimbult Office Park, 9 Zeiss Road  
Laser Park, Honeydew  
Johannesburg  
Tel.: (+27) 118014600  
Website: www.nilfisk.co.za

### SOUTH KOREA

Nilfisk Korea  
3F Duksoo B/D, 317-15  
Sungsoo-Dong 2Ga  
Sungdong-Gu, Seoul  
Tel.: (+82) 2497 8636  
Website: www.nilfisk.co.kr

### SPAIN

Nilfisk S.A.U  
Paseo del Rengle, 5 Planta. 9-10  
08302 Mataró  
Tel.: (34) 93 741 2400  
Website: www.consumer.nilfisk.es

### SWEDEN

Nilfisk AB  
Täljegårdsgatan 4  
431 53 Mölndal  
Tel.: (+46) 31 706 73 00  
Website: www.consumer.nilfisk.se

### SWITZERLAND

Nilfisk AG  
Ringstrasse 19  
Kircheberg/Industri Stelz  
9500 Wil  
Tel.: (+41) 71 92 38 444  
Website: www.consumer.nilfisk.ch

### TAIWAN

Nilfisk Ltd  
Taiwan Branch (H.K)  
No. 5, Wan Fang Road  
Taipei  
Tel.: (+88) 6227 00 22 68  
Website: www.nilfisk.tw

### THAILAND

Nilfisk Co., Ltd.  
89 Soi Chokechai-Ruammitr  
Viphavadee-Rangsit Road  
Ladysao, Jatuchak, Bangkok 10900  
Tel.: (+66) 2275 5630  
Website: www.nilfisk.co.th

### TURKEY

Nilfisk A.S.  
Serifali Mh. Bayraktar Bulv. Sehit Sk. No:7  
Umraniye, 34775 Istanbul  
Tel.: +90 216 466 94 94  
Website: www.consumer.nilfisk.com.tr

### UNITED ARAB EMIRATES

Nilfisk Middle East Branch  
SAIF-Zone  
P.O. Box 122298  
Sharjah  
Tel.: (+971) (0) 655-78813  
Website: www.nilfisk.com

### UNITED KINGDOM

Nilfisk Ltd.  
Nilfisk House, Bowerbank Way  
Gilwilly Industrial Estate, Penrith  
Cumbria CA11 9BQ  
Tel.: (+44) (0) 1768 868995  
Website: www.consumer.nilfisk.co.uk

### UNITED STATES

Nilfisk Inc.  
14600 21st Avenue North  
Plymouth, MN-55447  
Tel.: (+1) 800-989-2235  
Website: www.nilfisk.com

### VIETNAM

Nilfisk Vietnam  
No. 51 Doc Ngu Str.  
P. Vinh Phúc, Q.Ba Dinh  
Hanoi  
Tel.: (+84) 761 5642  
Website: www.nilfisk.com

