



Crawl Space Ventilation Fan

Installation and User Manual

- VentirMax 300S / 300SD**
- VentirMax 570S / 570SD**
- VentirMax 780S / 780SD**



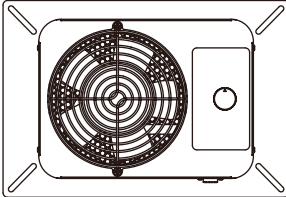
READ AND SAVE THESE INSTRUCTIONS

AlorAir Solutions INC.
Address: 14752 Yorba Ct, Chino, CA 91710 US
Tel: +1 888-990-7469
Email: sales@alorair.com

SPECIFICATIONS

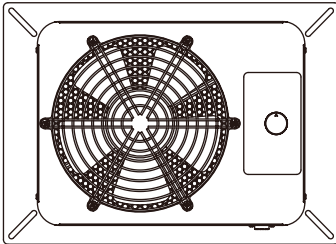
For VentirMax 300S / 570S / 780S

VentirMax 300S



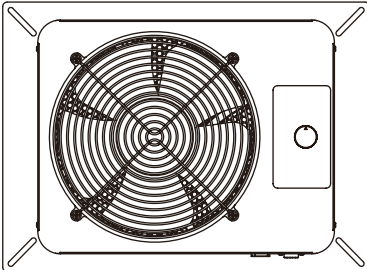
Capacity:300 CFM
Motor:115V AC~ 50/60Hz 0.38A
Thermostat:ON at 50°F / OFF at 37°F
Dehumidistat:10% - 80% RH Range
Dimensions:12 5/8" × 8 11/16" × 2 7/8"
Mounting Plate Smallest Adjustable
Dimensions:9.9" × 5.9"

VentirMax 570S



Capacity:570 CFM
Motor:115V AC~ 50/60Hz 0.52A
Thermostat:ON at 50°F / OFF at 37°F
Dehumidistat:10% - 80% RH Range
Dimensions:14 6/8" × 10 5/8" × 3 3/16"
Mounting Plate Smallest Adjustable
Dimensions:12" x 7.9"

VentirMax 780S



Capacity:780 CFM
Motors:115V AC~ 50/60Hz 0.65A
Thermostat:ON at 50°F / OFF at 37°F
Dehumidistat:10% - 80% RH Range
Dimensions:16 1/16" × 11 7/8" × 4 3/8"
Mounting Plate Smallest Adjustable
Dimensions:13.4" × 9"

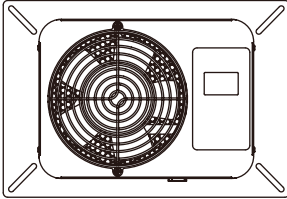
The VentirMax 300S, VentirMax 570S, and VentirMax 780S come with a humidity switch. The fan turns on when the relative humidity level rises above the set value. All models are pre-installed with thermostats to prevent fan operation when outdoor temperatures fall below 37 °F. When outdoor temperatures near 50 °F, the fan will return to regular operation.

IMPORTANT: The dehumidifier control will not operate if the freezer protection thermostat detects a low outdoor temperature.

SPECIFICATIONS

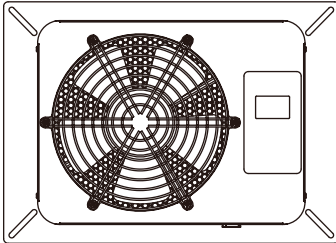
For VentirMax 300SD / 570SD / 780SD

VentirMax 300SD



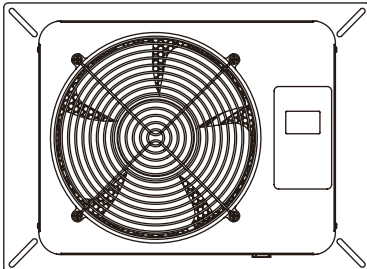
Capacity:300 CFM
Motor:115V AC~ 50/60Hz 0.38A
Control Mode:Programming
Display Mode:Digital Display
Dimensions:12 5/8" × 8 11/16" × 2 7/16"
Mounting Plate Smallest Adjustable
Dimensions:9.9" × 5.9"

VentirMax 570SD



Capacity:570 CFM
Motor:115V AC~ 50/60Hz 0.52A
Control Mode:Programming
Display Mode:Digital Display
Dimensions:14 6/8" × 10 5/8" × 2 7/8"
Mounting Plate Smallest Adjustable
Dimensions:12" x 7.9"

VentirMax 780SD



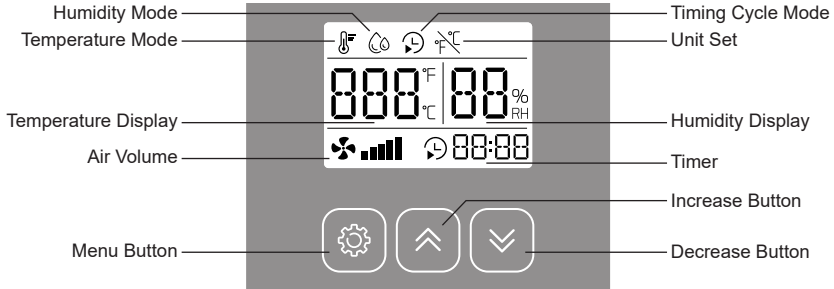
Capacity:780 CFM
Motors:115V AC~ 50/60Hz 0.65A
Control Mode:Programming
Display Mode:Digital Display
Dimensions:16 1/16" × 11 7/8" × 3 15/16"
Mounting Plate Smallest Adjustable
Dimensions:13.4" × 9"

Protection from Low Temperatures:

When the temperature is below 3 °C / 37 °F, the unit shuts down and displays "LO". This prevents the equipment from being damaged when operating in the cold.

KEY FUNCTION

For VentirMax 300SD / 570SD / 780SD



1. Program Control:

VentirMax 300SD / 570SD / 780SD fans can be programmed with system control of temperature, humidity, and timing to meet your various needs.

2. Memory Function:

If the machine is turned off and on again during operation, it will automatically return to the mode it was previously set to before it was turned off.

BUTTON FUNCTION

For VentirMax 300SD / 570SD / 780SD

1. Menu Button:

Press the "Menu" button to access the following options: Unit Conversion, Temperature, Humidity, and Time Cycle Mode.

2. Increase/Decrease Button:

If the menu is not selected, the "Increase" and "Decrease" buttons can adjust the air volume. When the menu is selected, the increase/decrease buttons can be used for the "Unit Conversion" option to switch the temperature unit.

PROGRAM SETTINGS

For VentirMax 300SD / 570SD / 780SD

1. Setting the Air Volume:

If the menu option isn't selected, the air volume can be adjusted with the "Increase" and "Decrease" buttons, and the gears 0-5 are switched in sequence.

2. Unit Switching:

Press the "Menu" button to select the "Unit Conversion" option, and press the "Increase" or "Decrease" button to switch between Celsius(°C) and Fahrenheit(°F).

3. Setting the Temperature Trigger:

Toggle the "Menu" button to select the "Temperature Setting" option, and press the "Increase" and "Decrease" buttons to set the temperature value. If the ambient temperature is higher than the set value, the fan will turn on automatically.

Setting range: 37 °F ~ 158 °F / 3 °C ~ 70 °C / "OFF". Each time you press the "Increase" or "Decrease" button, the value will be increased or decreased by 5 °F / 1 °C. This function is turned off when "OFF" is displayed.

The factory preset temperature is 86°F.

4. Setting the Humidity Trigger:

Press the "Menu" button to select the "Humidity Setting" option, and press the "Increase" and "Decrease" buttons to set the humidity level. When the humidity is higher than the set value, the fan will turn on automatically.

Setting range: 1 ~ 99% / "OFF," each time you press the "Increase" or "Decrease" button, the value will be increased or decreased by 1%, and it can be quickly adjusted if you press and hold the button. This function is turned off when "OFF" is displayed.

The factory preset humidity level is 50%.

5. Setting the Timing Cycle:

Press the "Menu" button to select the "Timing Cycle" option, and press the "Increase" and "Decrease" buttons to set the desired cycle time.

Notice:

1. If the "Temperature" and "Humidity" modes are activated at the same time and either or both of the modes reach the set threshold, the fans will start.
2. When the "Temperature," "Humidity," and "Time Cycle" modes are activated at the same time, the fan will automatically turn on and follow the time cycle set in the "Time Cycle" program when the ambient temperature and humidity are above the set threshold. The fan stops running when both levels are below the set threshold.

DESCRIPTION

AlorAir crawl space ventilation fans are designed to circulate fresh outdoor air under the house and porch. Excessive humidity in crawl spaces is a cause of premature decay of support columns, joists, floors, and beam supports. Humidity can promote fungal growth, increase termite activity, and cause pipes to rust, corrode, and fail.

▲ Protection level: IP55. Our motors are dust and water-resistant.

Crawling space ventilators are equipped with stainless steel insect screens to prevent pests (greater than 0.3 inches) from entering the fan and room.

PRECAUTIONS

▲ WARNING!

Crawl space ventilation fans must be installed by qualified professionals in accordance with these instructions and all local codes or, in the absence of such codes, in accordance with the latest version of the International Housing Code and the International Electrical Code.

Improper installation may result in dangerous situations such as fire, electric shock, or personal injury. To significantly reduce these risks, use the device only as specified by the manufacturer.

Always disconnect the crawl space ventilator before installation and maintenance.

If you have any questions, please contact AlorAir Customer Support.

Note:

- For general ventilation only. Do not use to vent dangerous or explosive substances and vapors.
- Disconnect the power supply before servicing or replacing fans.
- Keep fingers, tools, clothing, and other foreign material away from fan blades.

WARNING: Do not use this fan with any solid-state speed control equipment to reduce the risk of fire or electric shock.

GENERAL INFORMATION

Each VentirMax crawl space ventilation fan is electrically factory-tested before shipment. After unpacking, inspect the goods thoroughly for damage. The fan should turn freely, and all wires and connections should be firm.

Immediately notify the carrier and seller if damage is found and submit a hidden damage claim.

REQUIRED TOOLS

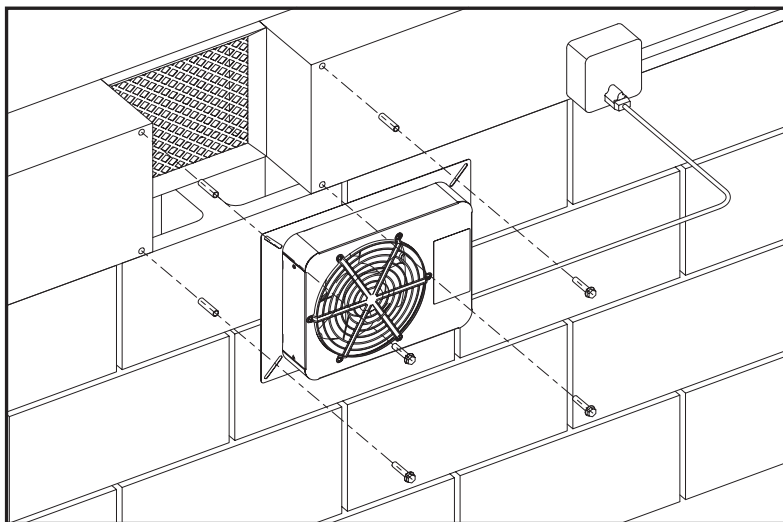
- 5/16" nut driver or flathead screwdriver.
- Drill with 5/16" masonry bit if mounting on brick or foundation block.
- Grounded electrical outlet within 6 feet of ventilator location.

INSTALLATION (diagram attached below)

Location: Install the ventilation fan behind the existing ventilation hole. Vents should be installed a minimum of 3 feet from the corner of a building.

Note: Crawl space fans must be installed with electrical control boxes and motors facing inside the crawl space.

1. Remove the cover of existing doors or ventilation holes around the building.
2. Place the crawl space ventilation fan in front of the vent.
3. If mounted on a block or brick base, mark positions at the four corners of the metal panel and drill 5/16" holes with a masonry bit. Install wall anchors at the opening and secure the crawl space ventilation fan to the wall with 4 screws.
4. If installed on a mesh of wood aggregate, edge joists, or existing crawlspace vents, secure the crawl space vent with screws and nuts at the four corners of the metal panel of the vent (as shown in the picture).

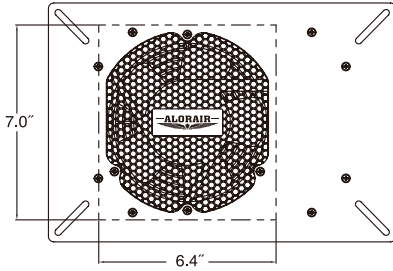


MOUNTING PLATE TRIM DIMENSIONS

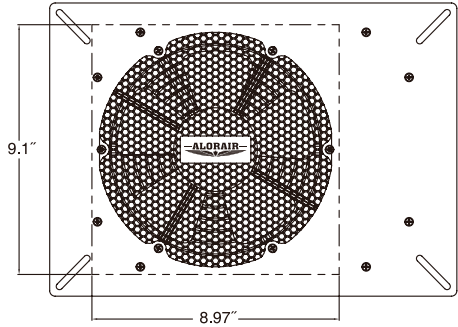
If the mounting plate needs to be modified to fit the opening, the following diagrams show the recommended measurements.

NOTE: Be careful when trimming the mounting plate to avoid scratches and damage to the power cord. Be sure to wear protective equipment!

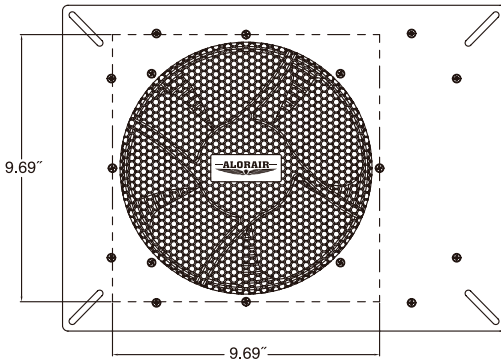
VentirMax 300S / 300SD



VentirMax 570S / 570SD



VentirMax 780S / 780SD



NOTE: The recommended operation above is only for the minimum size that needs to be cut, the company will not bear any responsibility if damage or failure occurs.

FAULT DESCRIPTION

Question: What may cause the fan to stop?

Answer: 1. First, check if the crawl space has reached the set humidity level. Next, check if the fan has shut off due to low outdoor temperature.

If either of the two cases is applicable, please reset your fan.

2. Second, make sure your circuit is normal and that the machine is properly connected to the circuit.

Question: What is the reason for the sudden noise when the fan has been in normal use?

Answer: 1. Check for any foreign matter that may be lodged inside the fan, which may impact the wheel blade and result in noise.

2. Make sure the mounting plate is securely fastened. Loose screws and unstable mounting plates may cause noise.

Question: Why is the exhaust air volume lower than before?

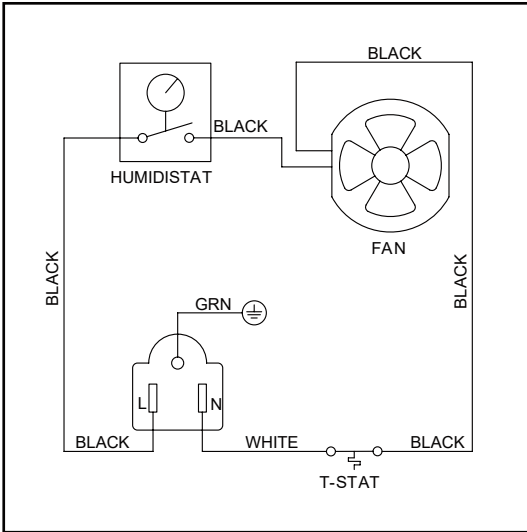
Answer: 1. The air inlet or air outlet may be obstructed. Please inspect your immediate usage area and surrounding space outside the air outlet for potential blockages.

2. Make sure that your current and voltage are within standard range.

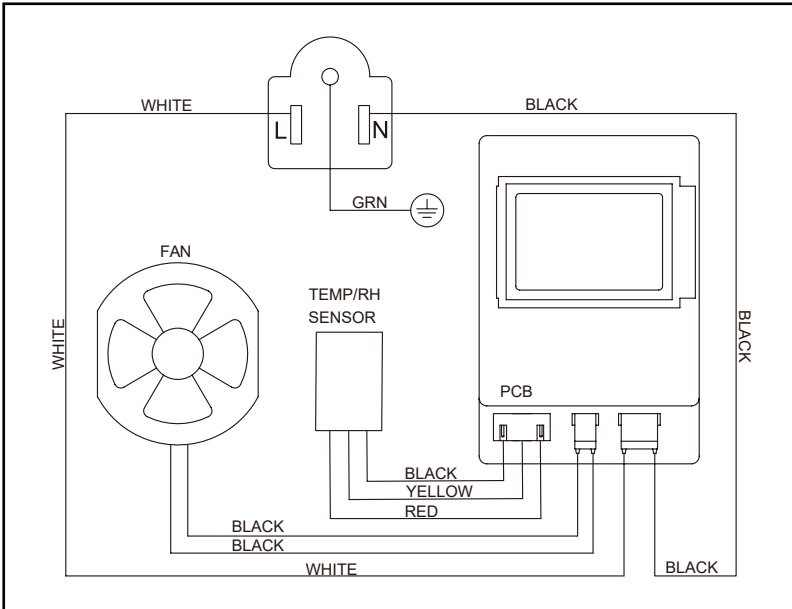
If the solutions above do not resolve your issue, please reach out to us for further assistance.

WIRING DIAGRAM

For VentirMax 300S / 570S / 780S



For VentirMax 300SD / 570SD / 780SD



WARRANTY

ALORAIR TWO YEAR LIMITED WARRANTY

AlorAir warrants to the original purchaser of this product that the product will be free from defects due to faulty material or workmanship for (2) years from the date of original purchase or delivery to the original purchaser, whichever is earlier.

Remedies under this warranty are limited to repair or replacement, at our option, any product which shall, within the above-stated warranty period, be returned to AlorAir at the address listed below, postage prepaid.

THERE ARE NO WARRANTIES THAT EXTEND BEYOND THE DESCRIPTION MENTIONED IN THE DOCUMENT. ALORAIR EXPRESSLY DISCLAIMS ANY LIABILITY FOR INCIDENTAL OR CONSEQUENTIAL DAMAGES RESULTING FROM THE USE OF THIS PRODUCT.

THIS WARRANTY IS IN PLACE OF ALL OTHER EXPRESS WARRANTIES, AND NO AGENT IS AUTHORIZED TO ASSUME FOR US ANY LIABILITY ADDITIONAL TO THOSE SET FORTH IN THIS LIMITED WARRANTY.

IMPLIED WARRANTIES ARE LIMITED TO THE STATED DURATION OF THIS LIMITED WARRANTY.

Some states do not allow limitations on how long an implied warranty lasts, so that limitation may not apply to you. In addition, some states do not allow the exclusion or limitation of incidental or consequential damages, so the above limitation or exclusion may not apply to you. This warranty gives you specific legal rights, which may vary from state to state.

IMPORTANT NOTICE: Keep the item's packaging in case warranty service is required. In the event that the product is sent for repair without explicit guidance from our customer service team, AlorAir shall not assume responsibility for any associated repair costs.

Send all warranty-related inquiries to AlorAir.



WARRANTY REGISTRATION CARD

Return To:
AlorAir Solutions

ORDER NUMBER: _____

MODEL: _____ **SERIAL #:** _____

INSTALLER: _____ **INSTALLATION DATE:** _____

NAME: _____

ADDRESS: _____

CITY: _____ **STATE:** _____ **ZIP:** _____

PHONE #: _____ **EMAIL:** _____

- ▶ If you have any questions, please feel free to contact us at 888-990-7469 or visit www.alorair.com
- ▶ Register your unit for warranty using this link: www.alorair.com/page/Warranty--Warranty-registration
- ▶ Warranty Registration <https://www.alorair.com> or [scan this barcode](#) to direct you to the warranty registration website.





AlorAir Solutions INC.
Address: 14752 Yorba Ct, Chino, CA 91710 US
Tel: +1 888-990-7469
Email: sales@alorair.com

130131107