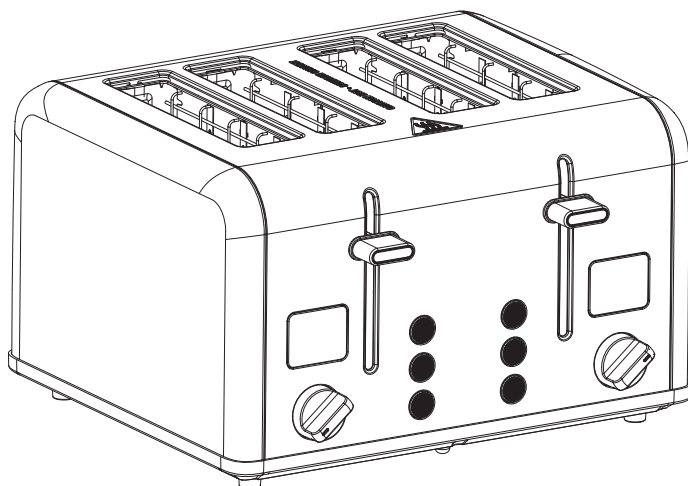


# **cusimax**

## **INSTRUCTION MANUAL**

### **4 SLICE TOASTER**



Model NO.: CMWT-8250ES  
CMWT-8250EB

Thank you for purchasing the 4-slice toaster. Please read the User Manual carefully before use and keep it in a convenient place for future reference.

## 18-month Limited Warranty

This appliance is warranted for 18-month from date of original purchase against defects in material and workmanship. This warranty does not cover transportation damage, misuse, accident or similar incident. This warranty gives you specific legal rights and you may have other rights, which vary from state to state. This product is intended for household use only, not for commercial use. Warranty does not cover commercial use.

Your new Cusimax appliance comes equipped with numerous safety features. Any attempt to interfere with the operation of these safety features makes this warranty null and void. In the event we receive an appliance for service that has been tampered with, we reserve the right to restore it to its original state and charge for the repair.

If you have any question regarding this warranty or would like to obtain warranty service, please contact [Support@Cusimax.com](mailto:Support@Cusimax.com) and our Customer Satisfaction representative will respond to you.

# CONTENTS

- Important Safeguards..... 2
- Getting to know your Toaster..... 4
- Product Specifications ..... 4
- Tips for ideal toasting results..... 5
- Operating Instructions..... 6
- Before Using the appliance the First Time..... 6
- Using Your Toaster ..... 8
- Care & Cleaning Instructions ..... 9
- Trouble Shooting ..... 10

## IMPORTANT SAFEGUIDE

**When using electric appliances, basic safety precautions should always be followed including the following:**

1. READ ALL INSTRUCTIONS, PRODUCT LABELS AND WARNINGS BEFORE USING THE TOASTER.
2. Unplug toaster from outlet when not in use and before cleaning. Allow to cool before putting on or taking off parts.
3. Do not touch hot surfaces. Metal parts can become hot. Use handles.
4. To protect electric shock, unplug before cleaning.
5. To protect against electrical hazards, do not immerse cord, plug or toaster in water or other liquids.
6. Do not let cord hang over edge of table or counter or touch hot surfaces.
7. Never leave appliance unattended when in use.
8. Young children or incapacitated persons should not use this appliance. Supervise older children closely.
9. Do not operate or place the toaster:
  - On non-heat resistant or flammable surfaces.
  - On or near a hot gas or electric burner.
  - In a heated oven or microwave oven.
10. To reduce the risk of fire or electric shock, do not insert:
  - Utensils or foil-covered or oversized foods into the toaster.
  - Fingers or metallic utensils into slots when toaster is plugged in.
11. Do not attempt to dislodge food when toaster is plugged in.
12. Do not use foods that will drip coatings or fillings when heated.  
Such accumulations inside the toaster create unsanitary conditions and possibility of fire or toaster malfunction. Clean out accumulated crumbs frequently to avoid risk of fire or toaster malfunction. Do not operate the toaster without the crumb tray being replaced in its correct position.
13. Do not operate any appliance with a damaged cord or plug or after the appliance has malfunctioned or has been damaged in any manner. Return appliance to the nearest authorized service facility for examination, repair, or adjustment.
14. The use of accessory attachments not recommended by the appliance manufacturer may cause injuries.
15. Do not use the toaster outdoors or for commercial purposes; this appliance is for household use only.
16. Use this appliance only for its intended use as described in this manual. Do not use attachments that are not recommended by the manufacturer; they may cause injury.
17. A fire may occur if toasters are covered or touching flammable material, including curtains, draperies, walls and the like when in operation.
18. To connect or disconnect appliance, press cancel button. Toaster lift lever must be in the normal up position before attaching or disconnecting the plug from the wall outlet.

19. Bread, cakes and pastries can catch fire, when overheated! During operation keep the appliance in an appropriate distance of at least 20 cm on each side to furniture, walls, boards, curtains and other objects. Do not operate the appliance near inflammable liquids (i.e. High -proof alcohol) or beneath any heat -sensitive or moisture-sensitive materials or beneath boards or drop -lights to avoid damage caused by steam, condensate or fire.  
Before operating, always ensure that there are no foreign o bjects in the slots. Do not insert wrapped foods (i.e. kitchen foil), to avoid risk of fire, electric shock, and damage. Immediately unplug the appliance, if there is any kind of malfunction or problem (i.e. overheating or smoke is coming from the slots).
20. Only toast slices of simple cakes and pastries without any filling or glaze (i.e. Jam, mayonnaise, or icing) and of suitable size (12cm x 12cm; 1/2 to 2.4 cm thick). The slices may not protrude the slots or stick or jam in the slots. DO NOT use the toaster for toasting or cooking of very dry cakes and pastries (i.e. cookies) filled rolls or sandwiches.
21. Never place the appliance or any part of it in an automatic dishwasher.
22. If smoke comes out of the slots or the bread crumbles or bends in the slots, then immediately cancel the toasting process by pressing the CANCEL button and unplug the toaster. Wait for the toaster to cool down, before carefully removing jammed bread slices. Ensure not to damage the heating elements on each side of the slots. Always operate the toaster with the crumb tray in place.
23. HOT SURFACES- RISK OF BURNS  
CAUTION: HOT SURFACE!



## **FOR HOUSEHOLD USE ONLY SAVE THESE INSTRUCTIONS**

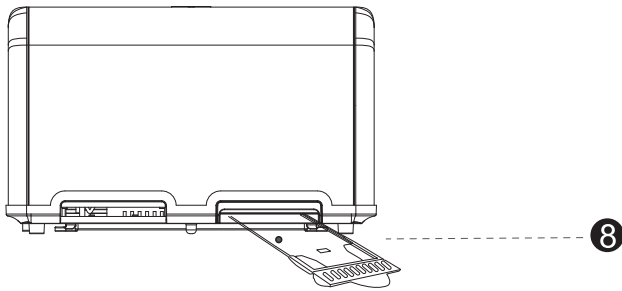
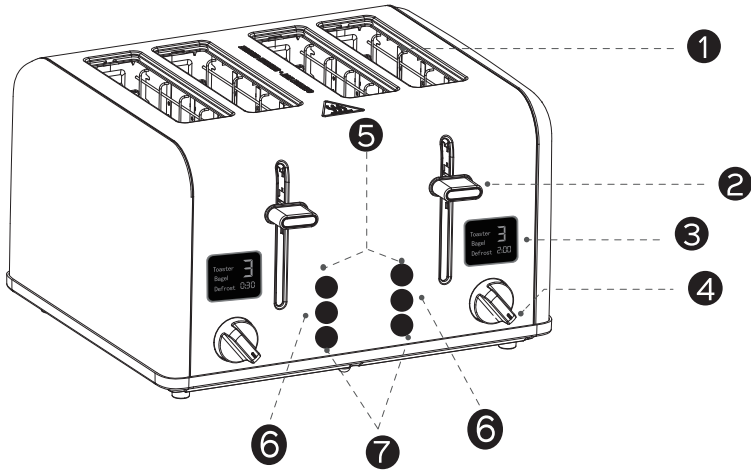
### **SHORT POWER SUPPLY COARD INSTRUCTIONS**

A short power -supply cord is provided to reduce the risk resulting from becoming entangled in or tripping over a longer cord. An extension cords may be used if care is exercised in its use. If an extension cord is used , the marked electrical rating of the extension cord must be at least as great as the electrical rating of the appliance. The extension cord should be arranged so that it will not drape over the countertop or tabletop where it can be pulled on by children or tripped over unintentionally.

### **For Products Purchased in the United States and Canada Only**

To reduce the risk of electrical shock, this appliance has a polarized plug (one blade is wider than the other). This plug fits a polarized outlet only one way; if the plug does not fit fully into t he outlet, reverse the plug. If it still does not fit, contact a qualified electrician. Do not attempt to modify the plug in any way.

## GETTING TO KNOW YOUR TOASTER



1. Toasting Slots

2. Carriage Lever

3. LED Display

4. Browning Settings

5. Cancel Buttons

6. Bagel Buttons

7. Defrost Buttons

8. Crumb Tray

## PRODUCT SPECIFICATIONS (FOR INDOOR USE ONLY)

Power	1650 Watts
Voltage	AC 120V
Frequency	60Hz

### Tips for ideal toasting results

1. Different types of bread have varying moisture content. Therefore, the same toast darkness setting can produce different results.
2. For bread that is slightly dry, use a lower toast darkness setting.
3. For fresh bread or whole grain bread, use a higher toast darkness setting.
4. Bread with an irregular surface requires a higher toast darkness setting.
5. Thick bread slices need more time for toasting; it may even be necessary to toast the bread a second time.
6. When toasting raisin bread, remove all raisins from the surface, since otherwise they could burn.
7. If you toast only one slice, please select a low toast darkness setting.
8. If you toast several slices one after the other, the bread will be somewhat darker at the same toast darkness setting.
9. To toast frozen bread, waffles, ect. Please use the Defrost button.

## Before Using the appliance the First Time

**If you are using your toaster for the first time, please be sure to:**

1. Unpack the appliance carefully and check, if there are any parts damaged or missing.  
**CAUTION:** It is important to carefully remove all packing and shipping materials (in the slots and under the Bread Lever) as well as any price-tags, but do not remove any warning rating label on the appliance. Ensure that there are no foreign objects (i.e. packing materials) in the slots before operating the appliance.
2. Wipe the outside of your toaster with a damp cloth.
3. Insert the Removable Crumb Tray into the crumb tray slot.
4. Make certain that the Bread Lever is in the uppermost position before plugging in the toaster's power cord.
5. Select a location for the toaster. The location should be:
  - A flat, heat-resistant, non-flammable surface.
  - At least three inches away from walls or the back of countertops.
  - At least one foot away from any cabinet or shelving that may be above the toaster.
  - Away from flammable materials, such as curtains and wall fabric.
  - Away from a gas stove flame or electric element.
6. Plug the Power Cord into 120Volt, 60Hz AC outlet.
7. Plug in toaster without inserting any food into the bread slots, pushing the Bread Lever all the way down until it locks. (The Lever will not lock if the toaster is not plugged into a power source.) The first toasting process will preheat the new elements and burn off any dust which may have accumulated during storage or manufacturing. It is normal for this burn off to create an odor.

## Using Your Toaster

### To Toast Your Bread:

Inserting the bread into the Bread Slots and toasting:

1. Prepare the toaster as described in the section "Before using the appliance the first time".
2. Using a sharp knife, cut the food (bread or similar cakes and pastries) in slices of even thickness and appropriate size: max. 12 x 12CM, 1/2 to 2.4CM thick. Try to get a smooth cut and remove the crumbs.
3. Place the bread slices in the slots in the toasting chamber.
4. Set the desired toast darkness with the darkness controls. You can select from give toast darkness: Level 1 is very light, and Level 6 is very dark. For the first use, it is recommended to select a medium browning level (example: 3 or 4).

5. Press the Bread Lever down until it locks into place. The indicator lamp for “CANCEL” lights up (blue color light) and the toaster starts toasting.
6. When the bread has been toasted to the set darkness, it is automatically ejected. The appliance shuts off automatically.

**NOTE:** The Bread Lever will not engage in the browning position unless the toaster is connected to the power supply.

## Tips

1. You can interrupt the toasting cycle any time by pressing the “CANCEL” button.
2. The required browning level depends on your special liking and the type and freshness of the toasted cakes and pastries. For example: a short toasting time (low browning level) is sufficient for toasting raisin pastry and fine white bread, but for toasting rye bread, you must select a higher browning level to get a similar result.
3. Smaller bread slices may be removed easier by lifting the Bread Lever to the HIGH LIFT position (approx. 2CM above the middle position).
4. Ensure to make an even and smooth cut. Use a sharp bread knife for cutting. Remove crumbs and protruding rims, especially when crisping up halved rolls.
5. When toasting several slices at a time, the slices should be of equal size and freshness to ensure even toasting.
6. When toasting four slices of bread, place one slice in the center of each bread slot.
7. When toasting one slice of bread, place the slice in the center of either bread slot.

## To Toast Your Bagel:

1. Insert the bagel into the bread slots.
2. Set the desired darkness with the darkness knob control.
3. Press the Bread Lever down until it locks. Then the power indicator of the button illuminates (CANCEL button).
4. Press the Bagel button. The Bagel light will illuminate to indicate your selection.
5. After the desired level of darkness has been reached, the food will pop up automatically. The Bread Lever will return to the up position and the indicator lights will turn off.
6. Carefully remove the toasted bagel from the bread slots.

## To Toast Frozen Food:

The Defrost function first thaws out the bread and then toasts it, which means that the thawing cycle lasts somewhat longer than the normal toasting cycle.

1. Place the bread slices in the slots in the toasting chamber.
2. Select the desired toast darkness setting.
3. Press the Bread Lever down until it locks into place. Then the power indicator of the button illuminates (CANCEL button).
4. We recommend the following toast darkness settings:
  - Low for bread from the refrigerator or thin.

- Frozen bread slices.
  - High for thicker frozen bread slices and for rolls and thick toast slices.
5. Then press the “Defrost” button right away. The indicator lamp on this button lights up.
  6. The bread is thawed and toasted.
  7. You can interrupt the cycle any time by pressing the “CANCEL” button.
  8. After completion of the thawing cycle the bread is automatically ejected and the indicator lights go out. The appliance shuts off automatically.



**WARNING:** Never insert your fingers or metallic utensils into the bread slots.

**WARNING:** Toaster food can be very hot. Handle with care.

#### **Notes:**

Toast is the default setting if no food or function select buttons are chosen.

#### **Using the CANCEL function:**

Press the CANCEL button. The toaster will stop toasting immediately and the food will pop up automatically.

**Note that:** when Both bagel and defrost Button pressed, both bagel light and defrost light will illuminate and the bagel time is somewhat longer than normal bagel toasting cycle.

## CARE & CLEANING INSTRUCTIONS

1. Always the appliance to cool before cleaning.
2. Before cleaning, always turn off the appliance and unplug it from the power supply.
3. Do not immerse the appliance and power cord in water or other liquid or wash them in the dishwasher.
4. Wipe off the toaster with a damp cloth and a little dish washing detergent. Do not use any abrasive scouring agents, steel wool, metal object, hot cleaning agents or disinfectants, since they can damage the appliance.
5. To remove jammed bread slices, unplug the toaster and turn it over and shake lightly. Never attempt to remove jammed bread slices with sharp or pointed tools or silverware.
6. Remove crumb and any small pieces of bread from the crumb tray regularly. To do this, pull the crumb tray with a damp cloth, then dry it thoroughly and push it back into the appliance.  
Warning: Crumbs will accumulate in the crumb tray and could catch fire if not emptied periodically.
7. The appliance must be completely dry before you use it again.



### GENERAL INFORMATION

**Tip:** Your toaster has been designed for optimum toast balance. Some elements on the inside of the toaster may glow more brightly than others when in use. This is part of normal toaster operation.

**To remove food jammed in the bread slots:** Unplug the toaster and remove the food once the toaster has cooled down.

Do not place food on top of toaster while it is warming.

Do not try to force the food out with the toast lift lever. This may damage the toaster.

## Storage

Store the entire appliance on a clean and dry surface, where it may not tilt or fall and no other objects could fall on it and where it is safe from frost and inadmissible strain (mechanical or electric shock, heat, moisture, direct sunlight) and where it is out of reach of young children. Do not place any hard or heavy objects on the appliance or any parts of it.

Always switch off the appliance by pressing the CANCEL button and unplug the power connector if the appliance is not in use.

If the appliance is not in use for a long period of time, clean the appliance before storage. If required, wind the power cord around the cord storage in the bottom of the appliance.

### **Nothing happens when I press the bread lever or buttons:**

- Make sure the power cord is correctly plugged into the electrical outlet.
- Make sure the power cord is not damaged in any way.
- Make sure the electrical outlet is operative by plugging in another appliance. If it's not, please check the circuit breakers or fuses in your home.