



# TALK THREE

2W Wearable Bluetooth Speaker with Mic

## PACKING LIST

Talk Three Speaker 1N

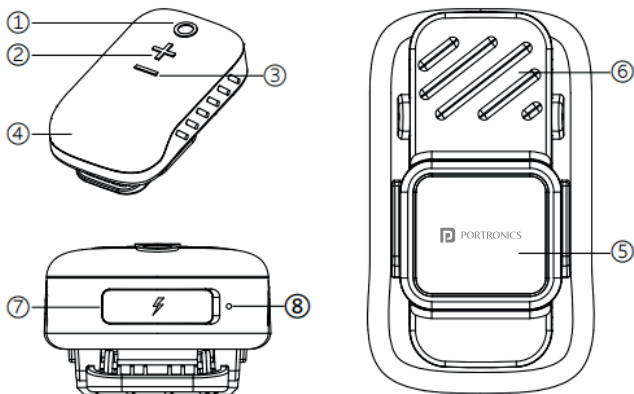
Charging Cable 1N

User Manual 1N

## INTRODUCTION

Thanks for choosing our wearable Bluetooth speaker Talk Three. This is a multifunctional Bluetooth speaker with professional-quality for music playing. If you want to have a better experience, please read this instruction carefully.

## APPEARANCE :






1. Power Button
2. Volume up/ Previous song
3. Volume down/ Next song
4. Fabric mesh
5. Magnetic clip
6. Spring clamp
7. Charging port
8. Microphone

## FEATURES

- Travel and Outdoor Friendly : Small enough to fit in your pocket, bold enough to be shown to the world
- Flaunting a slim and compact size, easy to carry
- Attaching to your shirt, backpack or jacket via spring clamp or magnetic clip
- Enjoy crystal clear phone calls with active noise suppression
- Up to 10 hours of playing time at 80% volume
- With dust-proof and water resistant materials
- Delicate mesh design better prevents dust from entering.

## OPERATION INSTRUCTIONS :

	<p><b>Press and hold for 3 seconds to power on/power off</b></p> <p><b>Calling mode:</b> Short press to answer a call, press again to hang off the call. Press and hold for 2 seconds to reject a call.</p> <p><b>Music mode:</b> Short press to play / pause music.</p>
---	--

	<p><b>Calling mode:</b> Short press to increase volume.</p> <p><b>Music mode:</b> Short press to increase volume. Press and hold to next song</p>
	<p><b>Calling mode:</b> Short press to decrease volume.</p> <p><b>Music mode:</b> Short press to decrease volume. Press and hold to previous song</p>

## SPECIFICATIONS

- Waterproof Level: IPX5
- Bluetooth Version: 5.3
- Bluetooth Profile: A2DP, AVRCP, HFP
- Audio Format: SBC
- Speaker: 2W
- Battery Type: lithium battery
- Battery Capacity: 3.7V/600mAh
- Playing Time: Up to 10 hours (under 80% volume)
- Charging Time: 2H
- Product Size: 73x42.9x28.2mm
- Product Weight: 64g

## **USING THE BLUETOOTH FUNCTION**

Pair the Bluetooth for the first time, you need to activate your mobile phone's Bluetooth function, and then search the new device. When the mobile phone detects this unit (named as "Talk Three"), click this name to connect.

## **PRECAUTIONS:**

Please read all safety instruction warnings carefully before using this product. Improper use of this product may result in damage to this or attached products. To ensure the products work well, please never use this in the following conditions:

1. Moist or underwater conditions.
2. Conditions near heater or high-temperature service.
3. Conditions with direct and strong sunshine.
4. Never dismantle the product without due permission, otherwise it may nullify the warranty clause.



**[www.portronics.com](http://www.portronics.com)**

**For Support**

**Visit :** [www.portronics.com](http://www.portronics.com)

**Email :** [help@portronics.com](mailto:help@portronics.com)

**Contact No. :** +91 9555245245, 011-42413131

**(Working Hrs. : Monday - Saturday 10:00am - 6:00pm)**



**E-Waste Management**

**E: [info@3rrecycler.com](mailto:info@3rrecycler.com)**

**For E-Waste & ROHS compliance  
refer to [www.portronics.com/ewaste](http://www.portronics.com/ewaste)**