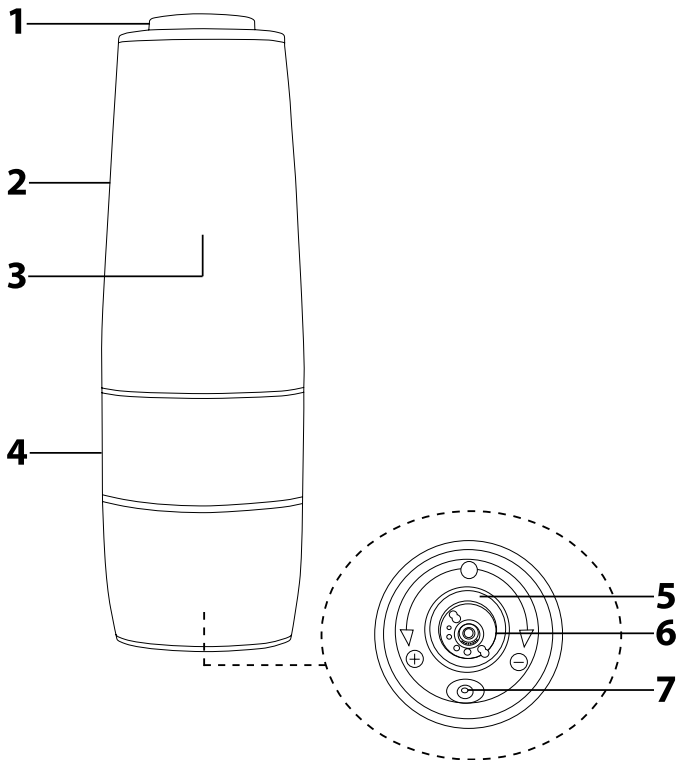


SENCOR®

SGS 3050SS
SGS 3051RD



EN ■ Spice Grinder

A

Spice Grinder

User's manual

SAFETY INSTRUCTIONS AND IMPORTANT NOTES

READ CAREFULLY AND STORE FOR FUTURE USE.

- Prior to using this product, please read the user's manual thoroughly, even in cases, when one has already familiarised themselves with previous use of similar types of products. Only use the appliance in the manner described in this user's manual. Keep this user's manual in a safe place where it can be easily retrieved for future reference.
- We recommend saving the original cardboard box, packaging material, purchase receipt and responsibility statement of the vendor or warranty card for at least the duration of the legal liability for unsatisfactory performance or quality. In the event of transportation, we recommend that you pack the appliance in the original box from the manufacturer.
- This grinder must not be used by persons (including children) with physical, sensory or mental impairments or by inexperienced or insufficiently knowledgeable persons, unless they are under supervision or have been instructed in the safe use of this grinder by a person responsible for their safety.
- Children must be supervised to ensure that they do not play with the grinder.
- This grinder is designed for household use only.
- This grinder serves to grind coarse grain salt or whole peppercorns. Do not use it for any other purpose than for which it was designed.
- Do not place the grinder on a gas or electric stove or any other appliances that could be potential sources of heat or in their vicinity.
- Do not expose grinder to direct sunlight.
- Do not handle the grinder with wet hands.
- Do not use the grinder unless it is correctly assembled.
- When inserting batteries into the grinder, ensure their correct polarity.
- Do not combine used and new batteries or various types of batteries. When the batteries are flat, replace them all at once.
- Never break, cut up or throw the batteries into a fire.
- When not using the grinder for an extended period of time, remove the batteries.
- Keep the grinder in clean condition. Clean it according to the instructions in chapter Cleaning and maintenance.
- Do not rinse the grinder or its parts in a dishwasher, do not rinse them under running water or submerge them in water or any in other liquid.
- In the event that the grinder is damaged or does not work properly, do not use it. Hand it over to an authorised service centre for inspection or repair.
- Do not make any modifications to the grinder or perform any repairs on your own. Have all repairs performed at an authorised service centre.

DESCRIPTION OF THE GRINDER

A1 Control button

A2 Removable cover

A3 Removable compartment for 6 pcs of type AAA batteries
Located under the removable cover.

A4 Transparent salt/pepper hopper

A5 Ceramic grinding stones

A6 Ground fineness control

A7 Light

BEFORE FIRST USE

- Before first use, take the grinder out of the packaging material and remove all promotional labels and stickers from it.
- Wipe the surface of the grinder with a soft, lightly dampened textile and then wipe it dry.

INSERTING AND REPLACING BATTERIES

- Use one hand to hold the bottom part of the grinder and the other hand to turn the removable cover **A2** anticlockwise while pulling it upwards to remove it. Put the cover **A2** aside.
- Insert 6 pcs of type AAA/LR03 alkaline batteries (6× 1.5 V) into compartment **A3** according to the polarity shown on compartment **A3**.



Note:

The batteries are not included.

- Put the cover **A2** back and turn it clockwise until it is secured in place. This is indicated by an audible click.
- In the event that the batteries are flat, replace them with new ones. Replace the batteries all at once. Do not combine used and new batteries or various types of batteries.

FILLING THE HOPPER

- Use one hand to hold the bottom part of the grinder and the other hand to turn the removable cover **A2** anticlockwise while pulling it upwards to remove it. Put the cover **A2** aside.
- Use one hand to hold the bottom part of the grinder and the other hand to turn the battery compartment **A3** clockwise while pulling it upwards to remove it. Put the compartment **A3** aside.
- Fill the hopper **A4** with coarse grain table salt or whole peppercorns. Fill the hopper **A4** up to a maximum of $\frac{3}{4}$ of its total capacity. Do not overfill it.
- After filling up, attach the compartment **A3** on to the hopper **A4** so that the tabs along the perimeter of the compartment **A3** slide into the grooves on the top edge of the hopper **A4** in such a way that the power light contacts on the underside of the compartment **A3** and on the top of the hopper **A4** are vertically aligned.



Attention:

The power contacts must be clean and dry. To clean them, a clean, dry cloth may be used.

- Turn the compartment **A3** anticlockwise to attach it to the hopper **A4**. Put the cover **A2** on to the hopper **A4** and turn it clockwise until it is secured in place. This is indicated by an audible click.

USING THE GRINDER

- To turn on the grinder, press button **A1**. The grinder will run as long as button **A1** remains pressed down. The light **A7** on the underside of the grinder is lit while the grinder is running.
- To stop, release button **A1**. The light **A7** will turn off.

CONTROLLING THE FINENESS OF GROUND COFFEE

- The control **A6** on the underside of the grinder enables the fineness of the grind to be adjusted from a fine to a coarse grind. To set a coarser grind, turn the control **A6** anticlockwise, to set a finer grind turn the control clockwise. Do not set the control **A6** to the limit positions.

CLEANING AND MAINTENANCE

- Keep the grinder in clean condition.
- To clean the outer surface of the grinder, use a clean, lightly dampened cloth. Then thoroughly wipe the cleaned surface until dry.
- The grinding stones **A5** can be carefully cleaned using a brush with soft bristles.

- Do not wash the grinder or its parts in a dishwasher, do not rinse them under running water or submerge them in water or any other liquid.
- For cleaning, do not use steel wool, cleaning products with an abrasive effect, solvents, etc. to prevent damaging the surface being cleaned.

STORAGE

- We recommend storing the grinder in a clean and cool place, for example in a kitchen cabinet. Do not store the grinder in places with increased humidity or at higher temperatures.

TECHNICAL SPECIFICATIONS

Power supply 6 pcs of type AAA batteries (6× 1.5 V)

We reserve the right to change text and technical specifications.

INSTRUCTIONS AND INFORMATION REGARDING THE DISPOSAL OF USED PACKAGING MATERIALS

Dispose of used packaging material at a site designated for waste in your municipality.

DISPOSAL OF USED BATTERIES



Batteries contain environmentally damaging substances and therefore do not belong in standard household waste. Hand it over for proper disposal at respective collection locations.

DISPOSAL OF USED ELECTRICAL AND ELECTRONIC EQUIPMENT



This symbol on products or original documents means that used electric or electronic products must not be added to ordinary municipal waste. For proper disposal, renewal and recycling hand over these appliances to determined collection points. Alternatively, in some European Union states or other European countries you may return your appliances to the local retailer when buying an equivalent new appliance.

Correct disposal of this product helps save valuable natural resources and prevents potential negative effects on the environment and human health, which could result from improper waste disposal. Ask your local authorities or collection facility for more details.

In accordance with national regulations penalties may be imposed for the incorrect disposal of this type of waste.

For business entities in European Union states

If you want to dispose of electric or electronic appliances, ask your retailer or supplier for the necessary information.

Disposal in other countries outside the European Union

This symbol is valid in the European Union. If you wish to dispose of this product, request the necessary information about the correct disposal method from the local council or from your retailer.



This product meets all the basic requirements of EU directives related to it.