



Bottom-Mount Refrigerator

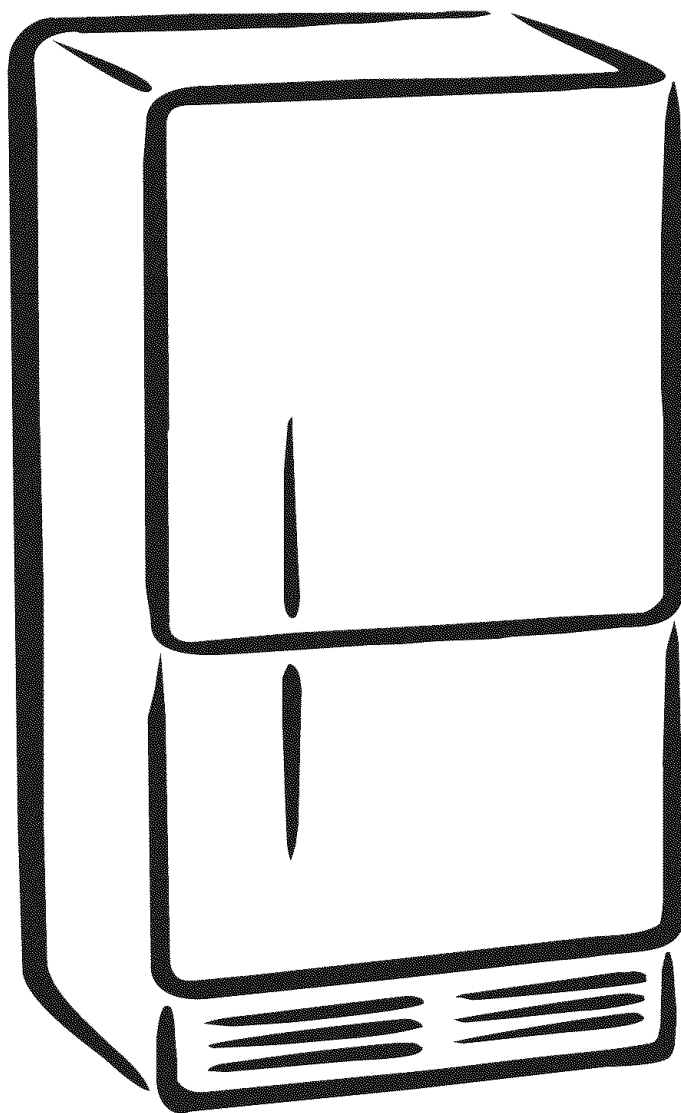
Use & Care Guide

Refrigerador con montaje inferior

Manual de uso y cuidado

Réfrigérateur à compartiment inférieur

Guide d'utilisation et d'entretien



ENGLISH ESPAÑOL FRANÇAIS

Sears, Roebuck and Co., Hoffman Estates, IL 60179 U.S.A.
Sears Canada, Inc., Toronto, Ontario, Canada M5B 2B8

10937055

www.sears.com

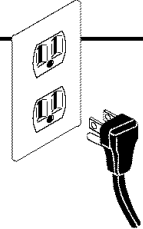
 Recognize this symbol as a safety precaution.

Electrical Requirements

WARNING

To avoid electrical shock which can cause severe personal injury or death, do not cut or remove the round grounding prong from the plug. Refrigerator must be grounded at all times. Do not remove warning tag from cord.
Do not use a two-prong adaptor. Do not use an extension cord.

Electrical Grounding Instructions — This refrigerator is equipped with a three-prong (grounding) plug for protection against possible shock hazards. If you encounter a two-prong receptacle, contact a qualified electrician and have the two-prong wall receptacle replaced with a properly grounded three-prong wall receptacle in accordance with the National Electrical Code.
Refrigerator is designed to operate on a separate 103 to 126 volt, 15 amp., 60 cycle line.



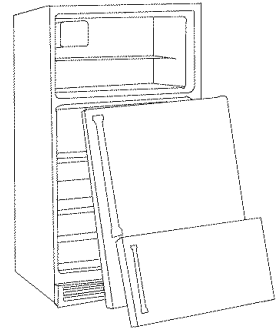
DANGER

Proper Disposal of Your Refrigerator

IMPORTANT: Child entrapment and suffocation are not problems of the past. Junked or abandoned refrigerators are still dangerous—even if they will sit for “just a few days”. If you discard an old refrigerator, please follow the instructions below to help prevent accidents.

BEFORE YOU THROW AWAY YOUR OLD REFRIGERATOR OR FREEZER:

- Take off the doors.
- Leave the shelves in place so children may not easily climb inside.



Warranty

Full One Year Warranty on Refrigerator

For one year from the date of purchase, when this refrigerator is operated and maintained according to instructions attached to or furnished with it, Sears will repair it, free of charge, if defective in material or workmanship.

Full Five Year Warranty on Sealed Refrigeration System

For five years from the date of purchase, when this refrigerator is operated and maintained according to instructions attached to or furnished with it, Sears will repair the sealed system (consisting of refrigerator, connecting tubing and compressor motor) free of charge, if defective in material or workmanship.

The above warranty coverage applies only to refrigerators which are used for storage of food for private household purposes.

Warranty Service is available by contacting 1-800-4-MY-HOME (1-800-469-4663).

This warranty applies only while this product is in use in the United States.

This warranty gives you specific legal rights, and you may also have other rights, which vary from state to state.

Sears, Roebuck and Co, Dept 817WA, Hoffman Estates, IL 60179

Read and Save These Instructions

Record in the space provided below the model and serial numbers found on the serial plate located on the top left wall of the refrigerator compartment.

Model Number: 596. _____

Serial Number: _____

Purchase Date: _____

Contents

Electrical Requirements	2
Proper Disposal of Your Refrigerator	2
Warranty	2
Read and Save These Instructions	2
Space Requirements	3
Instructions for Swing Door Models	4
To Remove Doors and Hinges	4
To Reverse Doors	4
To Replace Doors	4
Instructions for Pullout Freezer Drawer Models	6
To Remove Refrigerator Door and Hinges	6
To Reverse Refrigerator Door	6
To Replace Refrigerator Door	7
To Remove and Replace Freezer Pullout Drawer and Stabilizing Feet	7
Connect Ice Maker Water Supply Line (some models)	9
Leveling Refrigerator	10
Swing Door Models	10
Pullout Freezer Drawer Models	10
Controls	11
Refrigerator and Freezer Controls	11
Setting Controls	11
Refrigerator Features	11
Refrigerator Shelves	11
Adjustable Position Drawer (some models)	11
Crisper Drawers	12
Meat Drawer	12
Crisper and Meat Drawer System (some models)	13
Bottle Rack (some models)	14
Covered Utility Bin (some models)	14
Dairy Compartment	14
Door Buckets	14
Door Shelves	14
Freezer Features	14
Frost-Free System	14
Automatic Ice Maker (some models)	14
Ice Service Rack (some models)	15
Wire Shelf	15
Vertical Shelf Divider (some models)	15
Wire Basket	15
Tilt-Out Bin (some models)	15
Pullout Drawer Baskets (some models)	16
Ice Shield (some models)	16
Care and Cleaning	16
General Cleaning	16
Stainless Steel Cleaning	16
Adhesives	16
Door Gaskets	16
Condenser Coil	17
Glass Shelves	17
Odor Removal	17
Light Bulb Replacement	17
Vacation Tips	18
Energy Tips	18
Normal Operating Sounds	18
Before Calling For Service	19
Espanol	22
Français	xx

Note: Translation may sometimes cause variations in meaning. In all cases where meaning varies, the most accurate meaning will be the English version of this document.

Space Requirements



WARNING

Keep flammable materials and vapors, such as gasoline, away from refrigerator. Failure to do so can result in death, explosion, fire, or burns.

- To ensure proper ventilation for your refrigerator, allow for a 1"(2.5 cm) space at the top of your refrigerator.
- If your refrigerator has an ice maker, make sure you leave some extra space at the back to allow for the water line connection. The refrigerator can be flush with the back wall if you do not have an ice maker installed.
- If you are installing your refrigerator next to a fixed wall, leave 2 ½" minimum on hinge side (depending on your model) to allow for the door to swing open 90°.

NOTE: Do not install the refrigerator near an oven, radiator, or other heat source. Do not install the refrigerator in a location where the temperature will fall below 55°F (13°C).

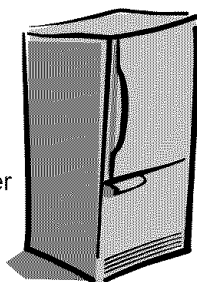
ENGLISH

Instructions for Swing Door Models

Proper installation will ensure this refrigerator operates most efficiently.

Tools Required

- | | |
|--------------------------------|---------------------------------|
| Putty knife | $\frac{5}{16}$ " hex nut driver |
| Masking tape | $\frac{1}{4}$ " hex nut driver |
| $\frac{3}{8}$ " hex nut driver | Phillips screwdriver |



IMPORTANT:

- Save all screws for reuse.
- For plug removal requiring use of flat blade screwdriver or putty knife, **blade of tool must be covered with masking tape to avoid damage to refrigerator finish.** For plugs using a screwdriver or nut driver style head, use appropriate tool to avoid damage to plugs.

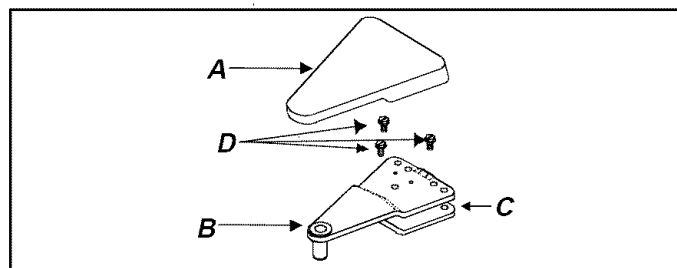
To Remove Doors and Hinges

Some installations may require door and hinge removal to transport unit to final location.

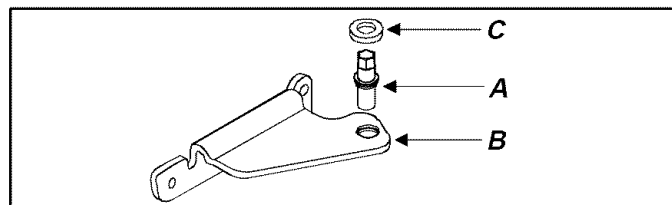
WARNING

To avoid electrical shock which can cause severe personal injury or death, disconnect power to refrigerator before removing doors. After replacing doors, connect power.

1. Remove top hinge cover (A). Top hinge cover snaps off. While supporting refrigerator door, remove top hinge (B) and shim (C) using $\frac{5}{16}$ " hex nut driver to remove screws (D).

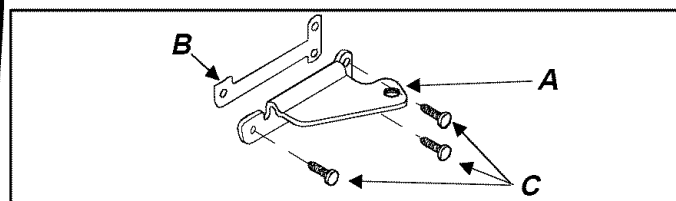


2. Lift refrigerator door off center hinge.
3. While supporting freezer door, remove center hinge pin (A) from center hinge bracket (B) with $\frac{5}{16}$ " hex nut driver. Remove and retain all round washer shims (C—some models).



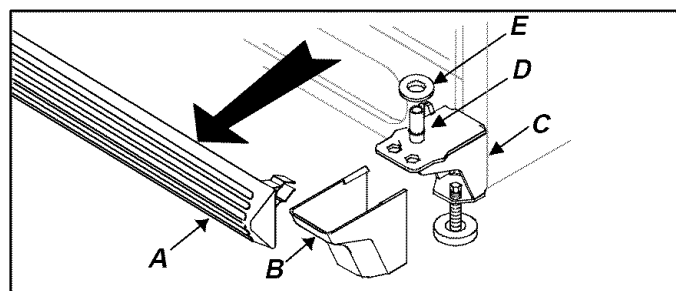
4. Remove freezer door by lifting door off bottom hinge.

5. Remove center hinge bracket (A) and shim (B) by removing screws (C) using Phillips screwdriver.



6. Remove toe grille (A) and bottom hinge cover (B). Both snap off.

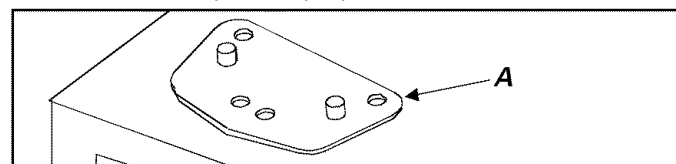
7. Remove bottom hinge and shim (C) with $\frac{3}{8}$ " hex nut driver. Remove hinge pin (D). Remove and retain all round washer shims (E), if present.



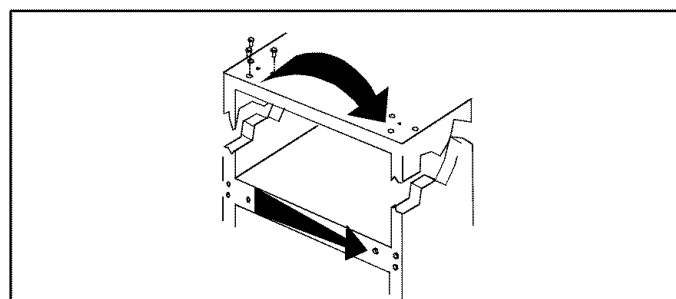
To Reverse Doors

Some installations may require door reversal to achieve full swing door. To reverse swing door direction perform the following steps.

1. Complete all directions in section entitled **To Remove Doors**.
2. Peel off positive positioning shim from top of unit (A). **NOTE:** Keep adhesive surface of shim free of dirt and dust until ready to replace. Soiling of adhesive surface will prevent proper reinstallation.



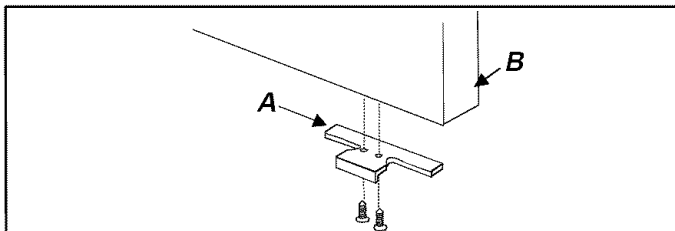
3. Transfer three cabinet plugs from top corner of cabinet to holes left from top hinge removal.
4. Transfer three $\frac{5}{16}$ " hex head screws opposite center hinge area to the holes left by center hinge removal.



ENGLISH

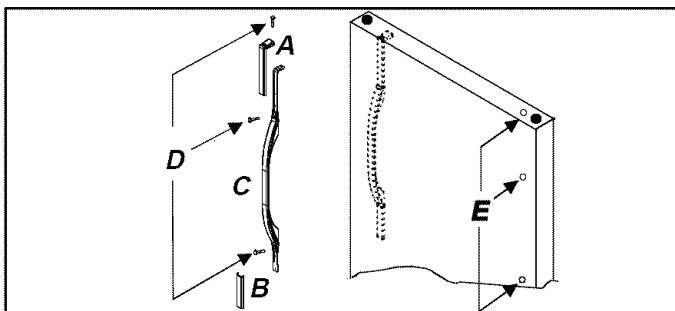
Remove Door Stop

1. Unscrew 2 Phillips screws and remove door stop (A) from refrigerator and freezer door (B). Retain all screws for door stop replacement.



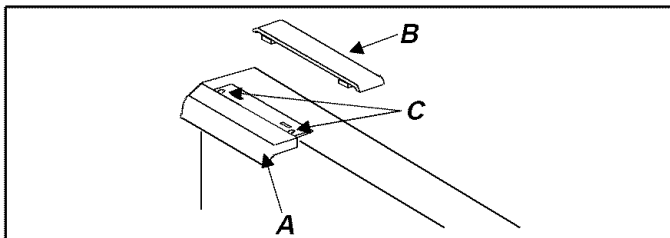
Reverse Handle (front-mounted design)

1. Remove handle screw from handle trim (A). Pry up edge of handle trim (A & B) using a putty knife blade wrapped in masking tape. Remove handle (C) from door by removing 1 remaining mounting screw at each end of handle (D).
2. Remove plugs from hinge side of door (E). Replace plugs in empty mounting holes.
3. Mount refrigerator handle (C) on opposite side of door using mounting screws removed in previous step.
4. Snap handle trim (A & B) into place and replace screw at top of handle.

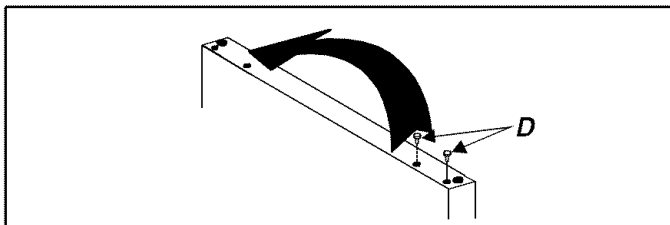


Reverse Freezer Handle

1. Locate two notches on back of freezer handle (A). Insert putty knife blade wrapped in masking tape. Pry up back edge of handle cap (B) and remove from handle.
2. Remove handle from door by removing screws (C).



3. Transfer plugs (D) from opposite side of freezer door to empty mounting holes.

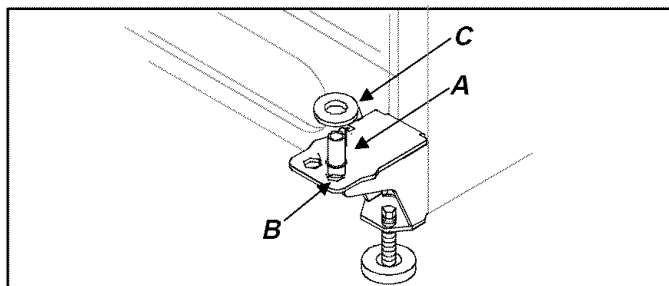


Replace door stop

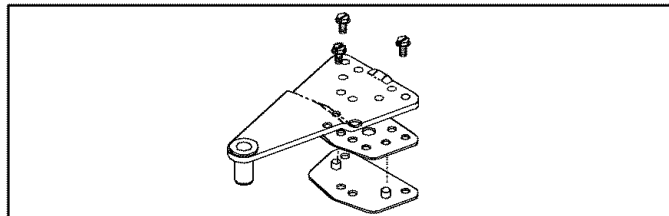
1. Mount door stop opposite handle side on underside of door.

To Replace Doors

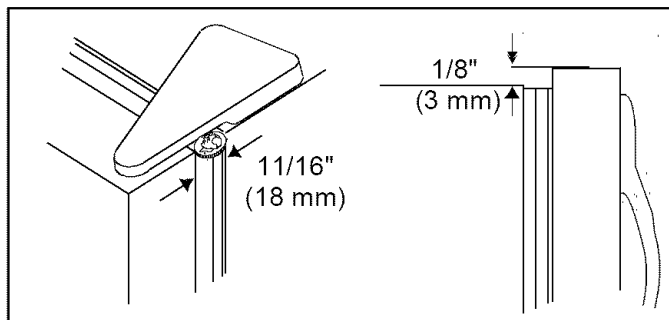
1. Replace bottom hinge and shims with $\frac{3}{8}$ " hex nut screws from hinge removal.
2. Replace bottom hinge pin (A) in hinge bracket hole (B) toward outside of cabinet. Replace all washer shims (C—some models).



3. Replace center hinge and shims with Phillips screws from hinge removal.
4. Place freezer door on bottom hinge pin.
5. Replace center hinge pin with $\frac{5}{16}$ " hex nut driver. Make sure fit is tight. Replace all washer shims (some models).
6. Assemble top hinge, hinge shim, and positioning shim together. Attach loosely to opposite side of cabinet to allow for door clearance.



7. Place refrigerator door on center hinge. Tighten down top hinge to securely hold door.
8. Use a dime at top to space door $\frac{11}{16}$ " (18 mm) from cabinet. Handle side of door should be approximately $\frac{1}{8}$ " (3 mm) higher than hinge side. Door will become level when it is loaded with food.



9. Replace hinge cover.

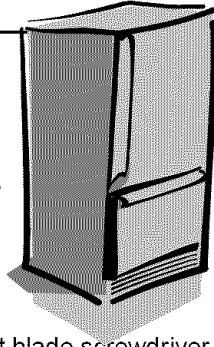
Note: If automatic ice maker water supply is required, proceed to *Connect Ice Maker Water Supply Line*. If not, proceed to section entitled *Leveling Refrigerator*.

Instructions for Pullout Freezer Drawer Models

Proper installation will ensure this refrigerator operates most efficiently.

Tools Required

- T-15 Torx™ driver
- $\frac{3}{8}$ " hex nut driver
- $\frac{5}{16}$ " hex nut driver
- Phillips screwdriver
- Putty knife
- Masking tape



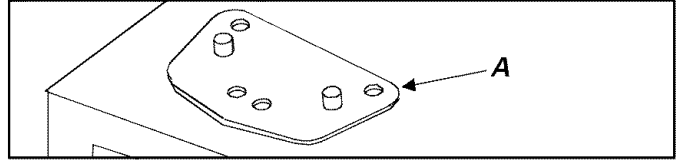
IMPORTANT:

- Save all screws for reuse.
- For plug removal requiring use of flat blade screwdriver or putty knife, **blade of tool must be covered with masking tape to avoid damage to refrigerator finish.** For plugs using a screwdriver or nut driver style head, use appropriate tool to avoid damage to plugs.

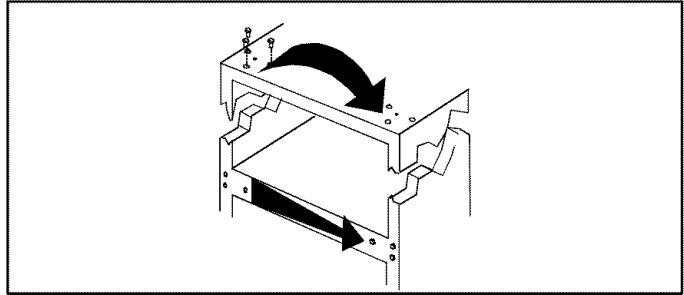
To Reverse Refrigerator Door

Some installations may require door reversal to achieve full swing door. To reverse swing door direction perform the following steps.

1. Complete all directions in section entitled **To Remove Doors.**
2. Peel off positive positioning shim from top of unit (**A**).
NOTE: Keep adhesive surface of shim free of dirt and dust until ready to replace. Soiling of adhesive surface will prevent proper reinstallation.



3. Transfer three cabinet plugs from top corner of cabinet to holes left from top hinge removal.
4. Transfer three $\frac{5}{16}$ " hex head screws opposite center hinge area to the holes left by center hinge removal.



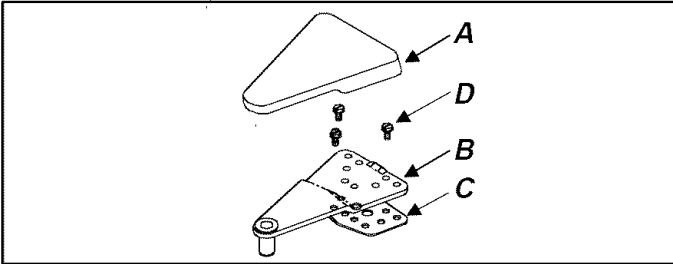
To Remove Refrigerator Door and Hinges

Some installations may require door removal to transport unit to final location.

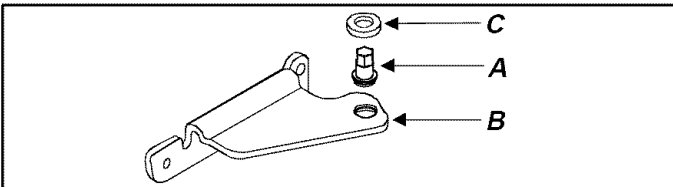
WARNING

To avoid electrical shock which can cause severe personal injury or death, disconnect power to refrigerator before removing doors. After replacing doors, connect power.

1. Remove top hinge cover (**A**). Top hinge cover snaps off. While supporting refrigerator door, remove top hinge (**B**) and shim (**C**) using $\frac{5}{16}$ " hex nut driver to remove screws (**D**).

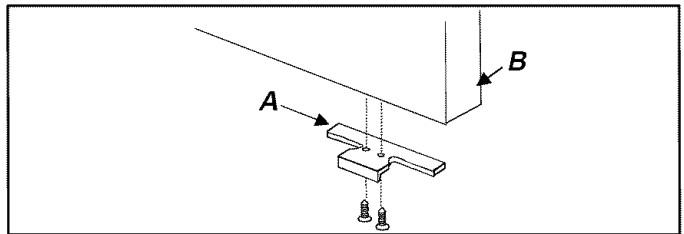


2. Lift refrigerator door off center hinge.
3. Remove center hinge pin (**A**) from center hinge bracket (**B**) with $\frac{5}{16}$ " hex nut driver. Remove and retain all round washer shims (**C—some models**).



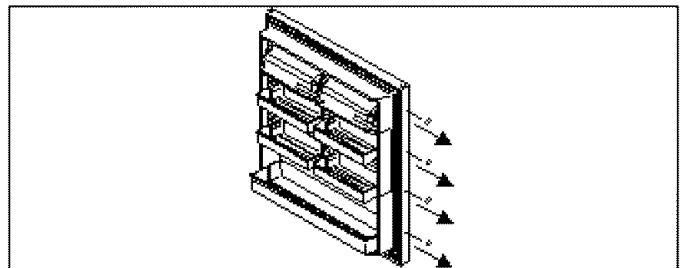
Remove Door Stop

1. Unscrew 2 Phillips screws and remove door stop (**A**) from refrigerator door (**B**). Retain all screws for door stop replacement.



Reverse Handle

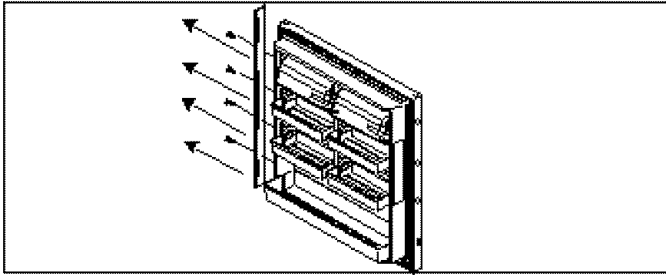
1. Remove door plugs from edge of door. Keep for later replacement.



ENGLISH



- Remove Torx-head screws to release handle from door. Retain screws for replacement.



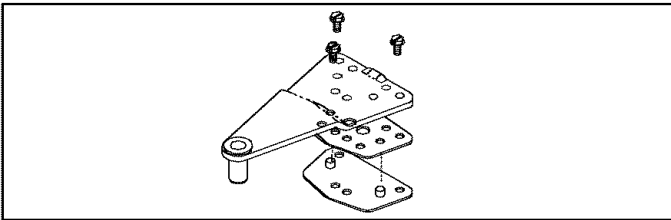
- Mount handle on opposite side of door using screws from removal.
- Place plugs in holes on door edge opposite handle.

Replace door stop

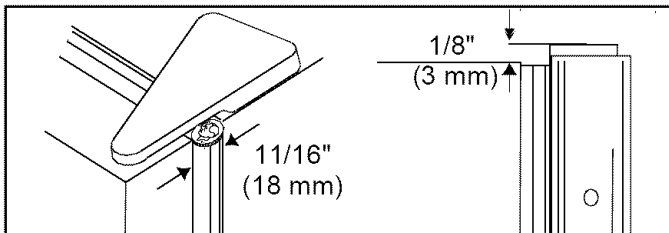
- Mount door stop opposite handle side on underside of door.

To Replace Refrigerator Door

- Replace center hinge and shims with Phillips screws from hinge removal.
- Replace center hinge pin with $\frac{5}{16}$ " hex nut driver. Make sure fit is tight. Replace all washer shims (*some models*).
- Assemble top hinge, hinge shim, and positioning shim together. Attach loosely to opposite side of cabinet to allow for door clearance.



- Place refrigerator door on center hinge. Tighten down top hinge to securely hold door.
- Use a dime at top to space door $\frac{11}{16}$ " (18 mm) from cabinet. Handle side of door should be approximately $\frac{1}{8}$ " (3 mm) higher than hinge side. **Door will become level when it is loaded with food.**



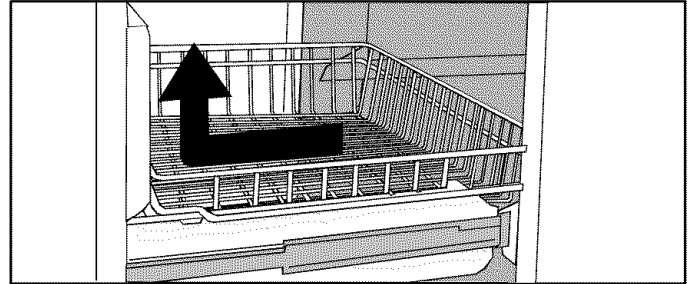
- Replace hinge cover.

Note: If automatic ice maker water supply is required, proceed to *Connect Ice Maker Water Supply Line*. If not, proceed to section entitled *Leveling Refrigerator*.

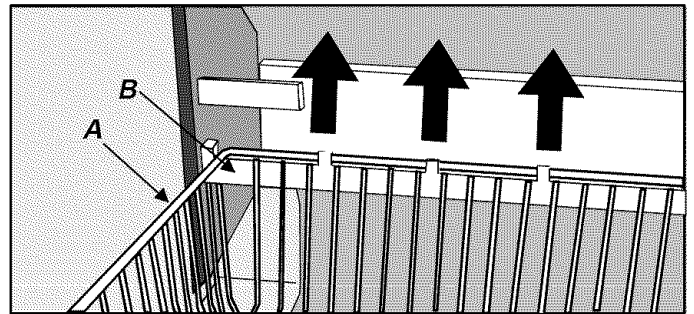
To Remove and Replace Freezer Pullout Drawer and Stabilizing Feet

To Remove Freezer Drawer

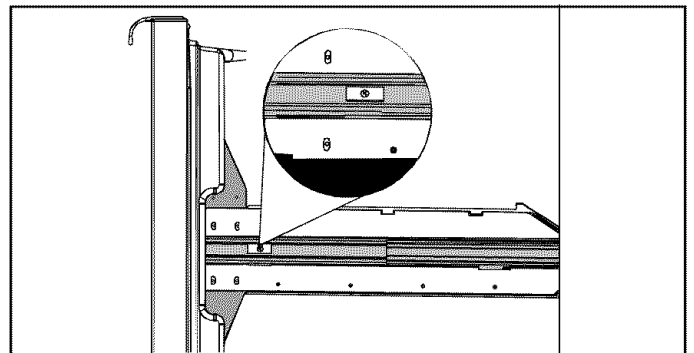
- Open freezer drawer to full extension.
- Empty all articles out of baskets.
- Slide top wire basket out to full extension and lift out to remove.



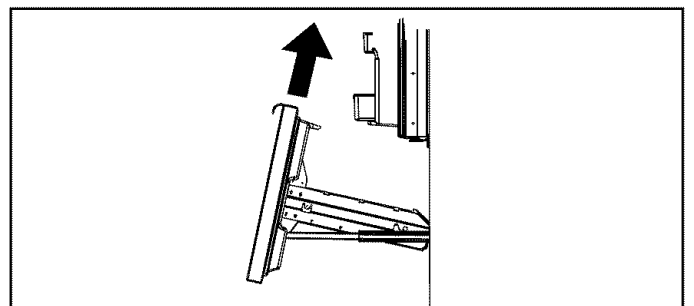
- Remove bottom basket (A) by lifting basket from rail guides (B).



- Remove Phillips screw (C) from each side of drawer rail assembly (D). **DO NOT** remove hex head screws from rail assembly.



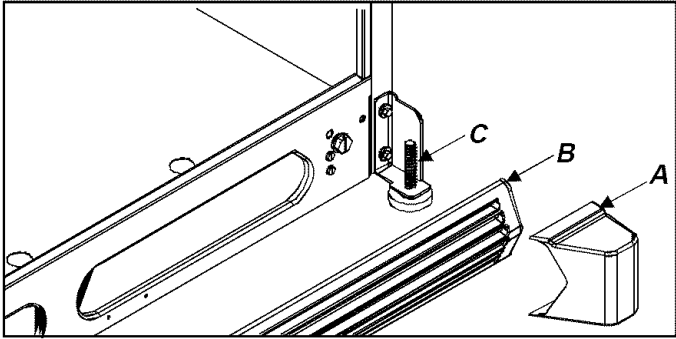
- Lift front handle of freezer drawer to disengage drawer rail hooks (E) from interior rail assembly (F). Lift drawer assembly out to remove.



ENGLISH

Optional Instructions If Addressing Transport Clearance Issues

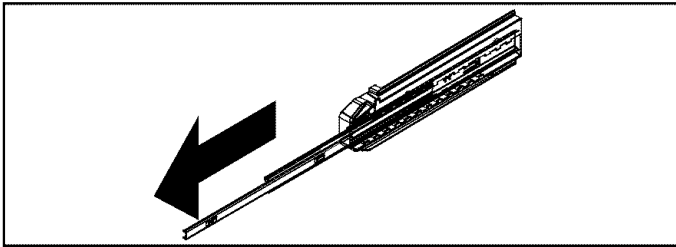
1. Remove both stabilizing leg covers (A) and toe grille (B). Both snap off.
2. Remove both stabilizing brackets (C) with 3/8" hex nut driver.



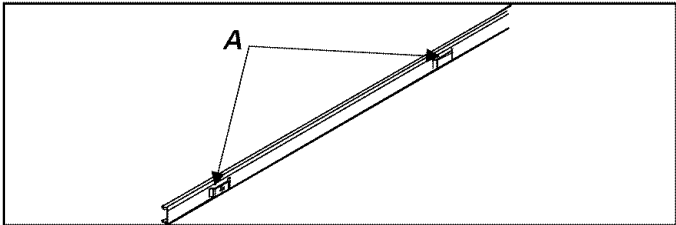
To Replace Freezer Drawer

IMPORTANT: Two individuals may be required to complete this procedure.

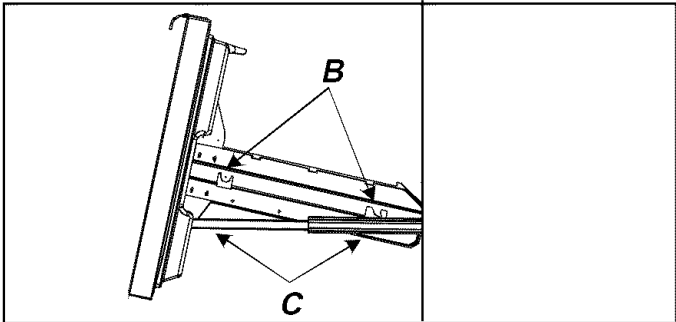
1. Extend both interior rail assemblies to full length on each side of cabinet.



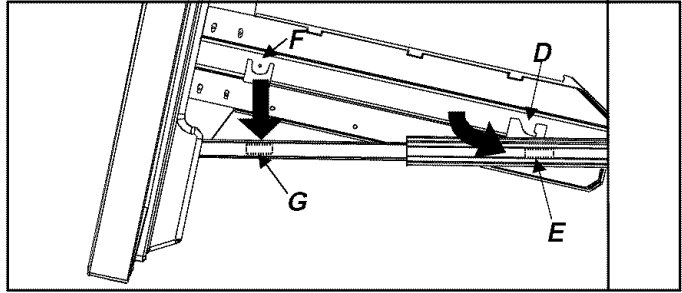
2. Locate notches (A) in both interior rail extensions.



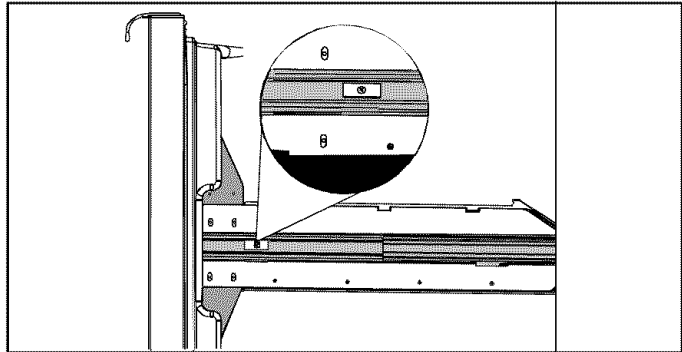
3. Align tabs on outside edge of drawer rail assemblies (B) with notches in both rail extensions (C).



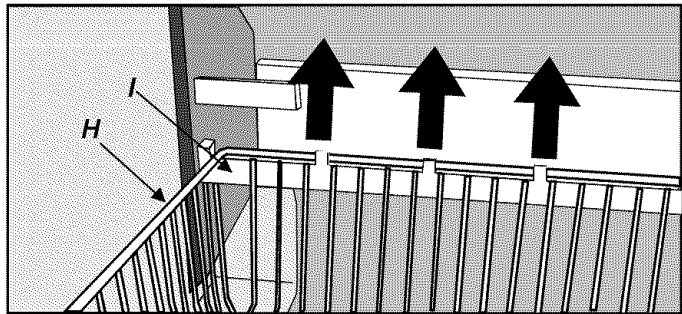
4. Insert hook tab (D) into notch (E) at 45° angle. Insert tab (F) into notch (G) by lowering handle end of assembly.



5. Replace Phillips screws on both rail extensions.



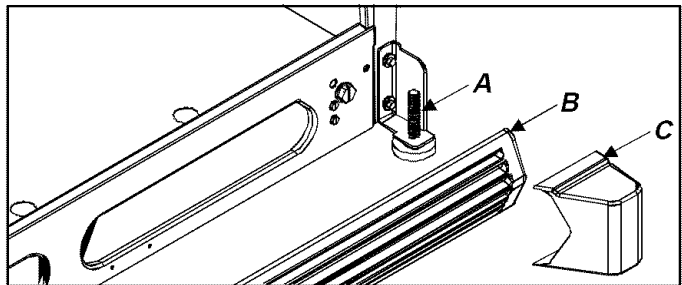
6. Replace bottom basket (H) by placing basket into rail guides (I).



7. Slide top basket into upper compartment.

Optional Instructions If Addressing Transport Clearance Issues

1. Replace both stabilizing brackets (A) with 3/8" hex nut driver.
2. Replace toe grille (B) and both stabilizing leg covers (C). See markings on inside of toe grille to insure proper placement.
 - Snap top portion into place first. Press down on lower part of grille until bottom portion snaps into place.



Connect Ice Maker Water Supply Line (some models)

DANGER

To avoid electrical shock which can cause severe personal injury or death. Disconnect power to refrigerator before connecting water supply.

CAUTION

Observe the following to avoid property damage:

- Raise stabilizing leg before moving unit.
- Make sure water pressure to water valve is between 20 and 100 pounds per square inch.
- Tighten adapter fitting and nuts with pliers and wrenches. Do not overtighten.
- Check for water leaks and correct if necessary before returning refrigerator to normal location. After 24 hours check again for leaks.

Important

- Before connecting water supply, contact a plumber to connect copper tubing to household plumbing in compliance with local codes and ordinances.
- **DO NOT use piercing type or $\frac{3}{16}$ " saddle valves!** Both reduce water flow, become clogged with time and in addition, may cause leaks if repair is attempted. The correct type—a **shut-off valve**—requires a $\frac{1}{4}$ " hole to be drilled in the water supply pipe before valve attachment.
- Do not install copper tubing in area where temperatures drop below 32°F (0°C).

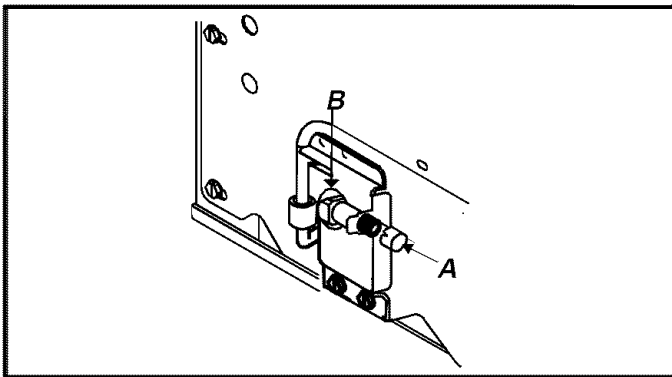
Materials Required

$\frac{1}{4}$ " O.D. (6 mm) flexible copper tubing
 $\frac{1}{2}$ " open end wrench

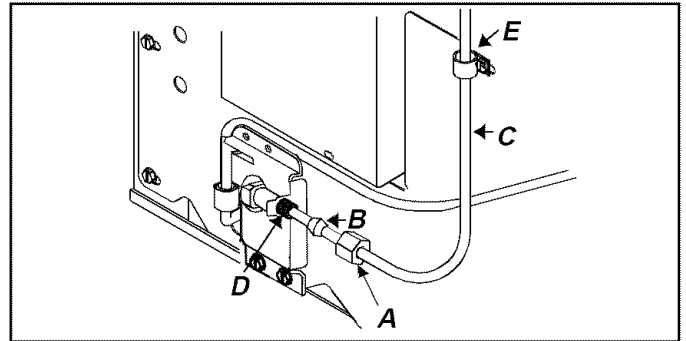
Length of copper tubing must reach from water supply connection to water valve inlet port on back of refrigerator, plus additional 8 ft. (2 m) of tubing for a service loop. A service loop will allow refrigerator to be pulled away from the wall without disconnecting tubing.

Procedure

1. Remove plastic cap **(A)** from water valve inlet port **(B)**.



2. Place brass nut **(A)** and brass sleeve **(B)** on copper tubing **(C)** (Brass nut and sleeve are found in your literature packet.). Insert copper tubing into water valve inlet port **(D)**. Connect brass nut on copper tubing to water valve inlet port. Make sure copper tubing is secure by pulling on copper tubing.
3. Turn on water supply to refrigerator and check for leaks. Correct any leaks at connection. Be careful not to overtighten connection.
4. Create a service loop using extreme care to avoid kinks. Secure copper tubing to refrigerator cabinet with a "P" clamp **(E)**. It is important to secure copper tubing to refrigerator to avoid leaks when pushing refrigerator back into opening.



5. Proceed to *Leveling Refrigerator* for final refrigerator placement.

ENGLISH

Leveling Refrigerator

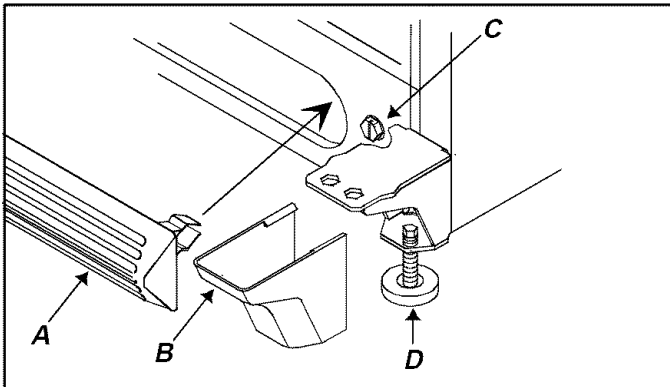
Swing Door Models

CAUTION

Protect soft vinyl or other flooring with cardboard, rugs or other protective material to avoid property damage.

If your refrigerator requires an ice maker water supply connection, proceed to *Connect ice maker water supply* section before leveling your refrigerator.

1. Plug in power cord.
2. Move refrigerator into final location.
3. Level refrigerator using a level placed on top of the refrigerator.
 - Remove toe grille (A). Remove bottom hinge cover (B).
 - Turn roller adjustment screws (C) to raise or lower refrigerator cabinet. Front of refrigerator must be ¼" (6 mm), or ½ bubble on your level, higher than the back of your refrigerator.
 - Make sure refrigerator cabinet is level from side to side by adjusting left and right roller adjustment screw (C).
 - Turn stabilizing leg (C) clockwise until firmly against floor.
4. Replace toe grille (A) and bottom hinge cover (B). See markings on inside of toe grille to insure proper placement.
 - **Snap top portion into place first.** Press down on lower part of grille until bottom portion snaps into place.



5. Review *Installation Checklist* in Owner's Manual with consumer.

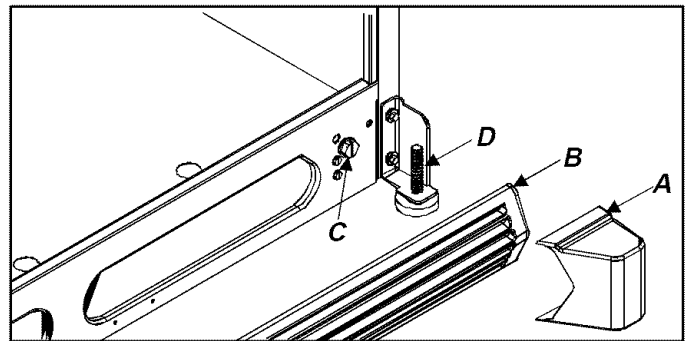
Pullout Freezer Drawer Models

CAUTION

Protect soft vinyl or other flooring with cardboard, rugs or other protective material to avoid property damage.

If your refrigerator requires an ice maker water supply connection, proceed to *Connect ice maker water supply* section before leveling your refrigerator.

1. Plug in power cord.
2. Move refrigerator into final location.
3. Level refrigerator using a level placed on top of the refrigerator.
 - Remove stabilizing leg covers (A). Remove toe grille (B).
 - Turn roller adjustment screws (C) to raise or lower refrigerator cabinet. Front of refrigerator must be ¼" (6 mm), or ½ bubble on your level, higher than the back of your refrigerator.
 - Make sure refrigerator cabinet is level from side to side by adjusting left and right roller adjustment screw (C).
 - Turn both stabilizing legs (D) clockwise until firmly against floor.
4. Replace toe grille (A) and both stabilizing leg covers (B). See markings on inside of toe grille to insure proper placement.
 - Turn roller adjustment screws 2 to 3 times counter-clockwise, so that full weight of unit rests on stabilizing legs.
5. **Snap top portion into place first.** Press down on lower part of grille until bottom portion snaps into place.



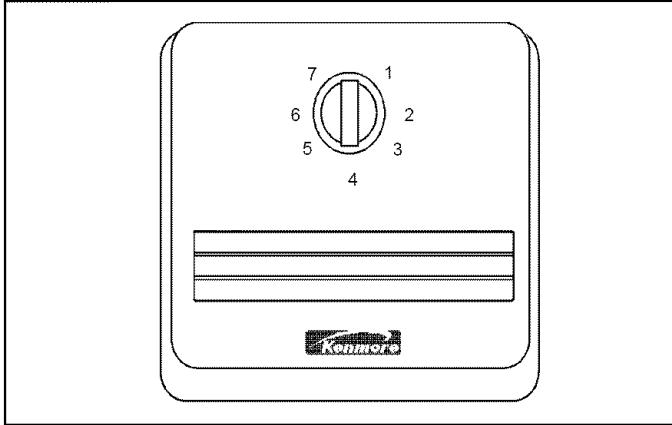
5. Review *Installation Checklist* in Owner's Manual with consumer.

Controls

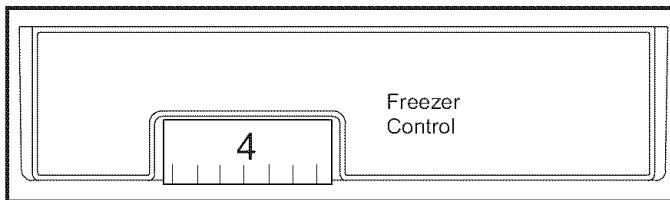
This refrigerator is designed to operate at normal household temperatures of 55° to 110°F (13° to 43°C).

Refrigerator and Freezer Controls

Refrigerator control is located on upper rear wall of refrigerator section.



Freezer control is located on left front ceiling of freezer section.



Setting Controls

When freezer control is set to OFF, neither refrigerator nor freezer sections will cool. Initially, set both controls to 4. Wait 24 hours for refrigerator and freezer sections to stabilize temperatures. After 24 hours, adjust controls, one number at a time, as desired. 1 is warmest setting and 7 is coldest.

Set controls precisely using a household thermometer with a temperature range between -5° to 50°F (-21° to 10°C).

Put thermometer snugly between frozen packages in freezer section. Wait 5–8 hours. If freezer temperature is not 0° to 2°F (-17° to -16°C), adjust freezer control 1 number at a time. Check again after 5–8 hours.

Put thermometer in a glass of water in middle of refrigerator section. Wait 5–8 hours. If refrigerator temperature is not 38° to 40°F (3° to 4°C), adjust refrigerator control 1 number at a time. Check again after 5–8 hours.

Refrigerator Features

Refrigerator Shelves

Shelves adjust to meet individual storage needs. Some models feature spillproof shelves and slide out shelves. Spillproof shelves hold minor spills for easier cleaning.

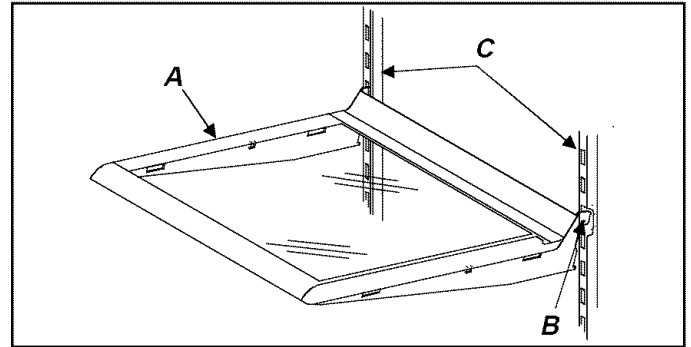
CAUTION

Make sure shelf is secure before replacing items on shelf to avoid property damage.

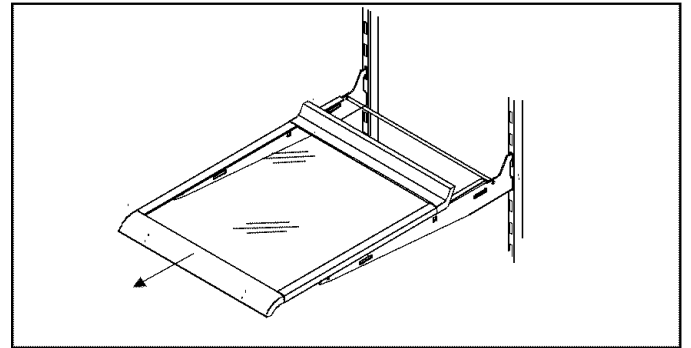
CAUTION

Handle tempered glass shelves carefully to avoid personal injury or property damage. Shelves may break suddenly if nicked, scratched, or exposed to sudden temperature change.

- Remove shelves (A) by lifting up shelf front, releasing hooks (B) from metal track (C), then pulling out.
- Replace shelves by inserting hooks (B) into metal track (C) and lowering front of shelf.



Slide out shelves pull forward for easy access to items in back.



Adjustable Position Drawer (some models)

- Refer to instructions entitled *Refrigerator Shelves* for removing and replacing shelf.
- Remove drawer and sleeve by lifting and pulling out.
- Replace drawer by sliding into place.

ENGLISH

Crisper Drawers

Crisper drawers keep produce fresh longer. Wrap produce tightly. Do not wash produce before placing in crispers. Excess moisture could cause produce to spoil prematurely. Do not line crispers with paper towels. Paper towels retain moisture.

Crisper control is located below front shelf trim. Control adjusts humidity in crisper drawers. Slide control to high for produce with leaves such as lettuce, spinach or cabbage. Slide control to low for produce with skins such as cauliflower, corn or tomatoes.

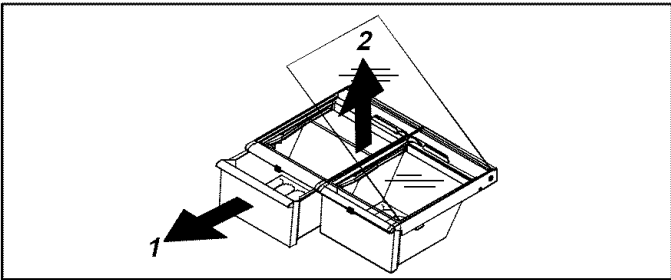
To remove or clean crisper drawer assembly for 33" wide units:

1. Remove crisper drawer on handle side of unit.

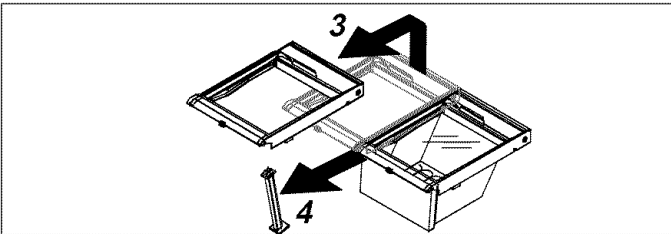
CAUTION

Handle tempered glass shelves carefully to avoid personal injury or property damage. Shelves may break suddenly if nicked, scratched, or exposed to sudden temperature change.

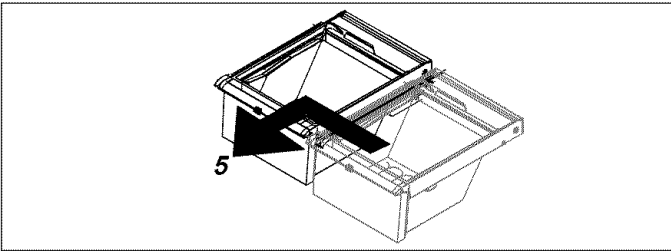
2. Remove glass crisper top by gently pushing up from underneath. Tilt one end up and pull out.



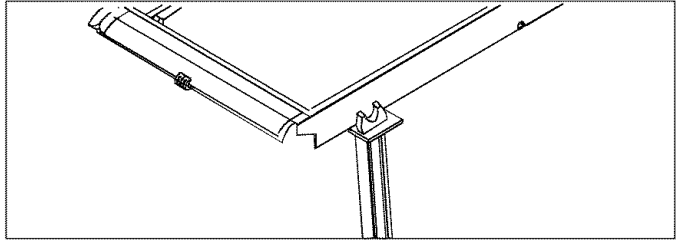
3. Lift front of crisper shelf frame and remove.
4. Lift front of remaining crisper assembly and remove support post from center of refrigerator floor.



5. To avoid interference with door, move remaining crisper assembly to opposite wall and remove.



6. Replace crispers and shelves by performing steps 2 through 5 in reverse order.
 - Note:** Be sure to hook shelf frame over notch on top of support post when replacing shelf frames.



7. Slide crisper glass into place.

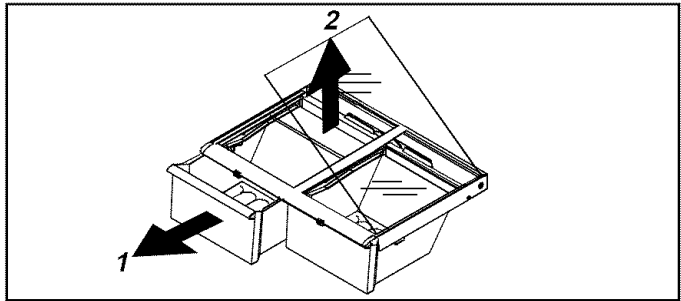
To remove or clean crisper drawer assembly for 30" wide units:

1. Open refrigerator door as wide as possible and remove crisper drawers.

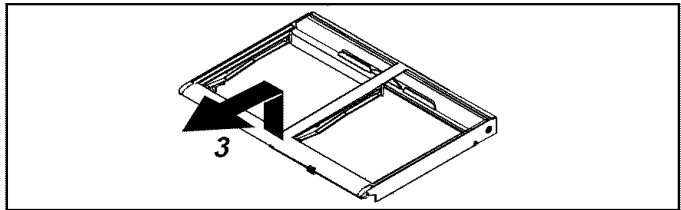
CAUTION

Handle tempered glass shelves carefully to avoid personal injury or property damage. Shelves may break suddenly if nicked, scratched, or exposed to sudden temperature change.

2. Remove glass crisper top by gently pushing up from underneath. Tilt one end up and pull out.



3. Raise front of crisper frame free of refrigerator cabinet rail assembly and pull out of unit.



4. Replace crispers and shelf by performing steps 2 through 3 in reverse order.
5. Slide crisper glass into place.

Meat Drawer

The meat drawer features an adjustable drawer providing space saving storage under spillproof shelves. The drawer can be moved from the left to the right side of the refrigerator compartment to accommodate different storage needs.

1. Remove drawer by lifting and pulling out. Remove shelf by lifting from front, releasing hooks from metal track, then pulling out.
2. Replace shelf by inserting hooks into the metal track and lowering the front of shelf. Replace drawer by sliding in.

Crisper and Meat Drawer System (some models)

The combined design of the crisper and meat drawers can keep food fresh longer by creating adjustable environments for produce, meats, and other food items.

The drawer in the left side (A) can serve as either a crisper drawer or a meat drawer.

To use as a crisper drawer:

1. Set temperature control (b) to *COLD*.
2. Set humidity control (a) to desired level to best suit contents.
3. Slide control to *HIGH* for produce with leaves such as lettuce, spinach or cabbage.
4. Slide control to *LOW* for produce with skins such as cauliflower, corn or tomatoes.

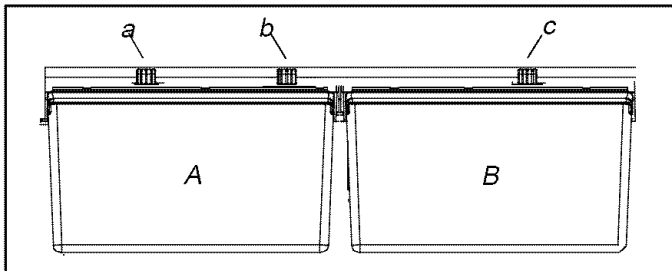
To use as a meat drawer:

1. Set humidity control (a) to *HIGH*.
2. Set temperature control (b) to *COLD* for normal refrigerator temperature and to *COLDER* for colder temperature. Adjustment of the the temperature control (b) allows for more or less freezer air flow around the pan. Ice crystals may form on drawer or food on *COLDER* setting.

The drawer in the right side (B) can be used for produce. The crisper drawer features an adjustable humidity control (c).

To use as a crisper drawer (B):

1. Slide control to *HIGH* for produce with leaves such as lettuce, spinach or cabbage.
2. Slide control to *LOW* for produce with skins such as cauliflower, corn or tomatoes.



CAUTION

To avoid damage to device, please follow removal and installation instructions carefully. Instructions followed incorrectly, or in the wrong order, may result in part breakage and device malfunction.



CAUTION

Handle tempered glass shelves carefully to avoid personal injury or property damage. Shelves may break suddenly if nicked, scratched, or exposed to sudden temperature change.

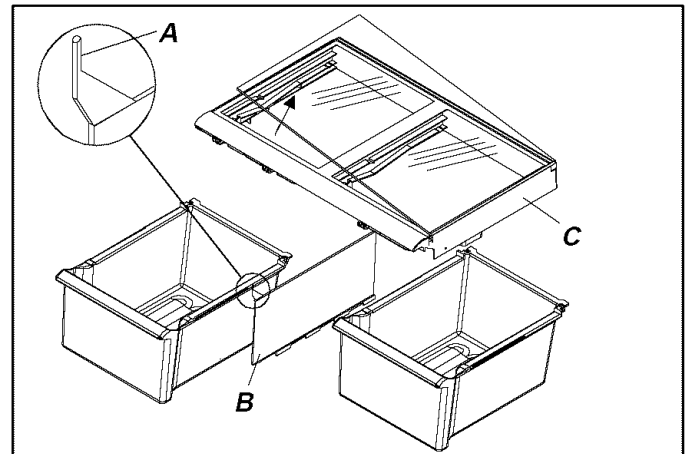
Remove drawer system by completing the following steps:

1. Open left crisper.
2. Gently push up crisper top from underneath. Tilt up end and pull out.

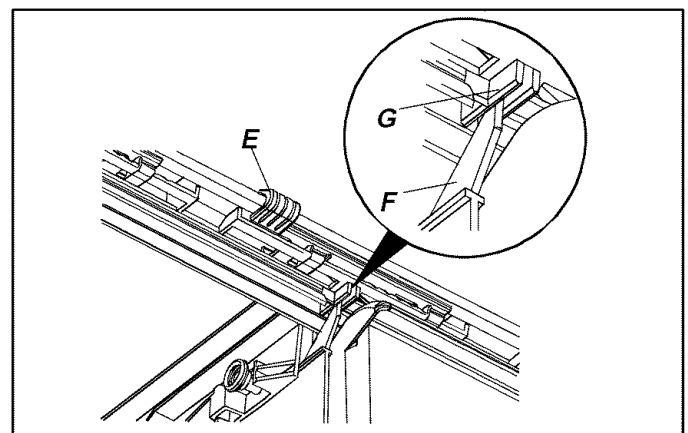
3. Set temperature control (E) on crisper frame to *COLD*. Lift front of crisper frame (A) and remove plastic divider (B). **Make sure divider pin (C) on plastic divider is free from frame assembly before removing from unit.**
4. Slide crisper drawers out.
5. Remove crisper frame (A) by lifting hooks (D) free from metal track on rear wall. Pull forward and out of unit.

Replace drawer system by completing the following steps:

1. Set temperature control (E) on crisper frame to *COLD*.
2. Hook crisper frame (A) into metal track on rear wall and lower frame onto cabinet grooves.
3. Slide drawers into place.
4. Slide plastic divider (B) into slide rail on bottom of cabinet.



5. Lower frame so that divider pin (F) fits into slot (G) beneath plastic molding.
6. Place glass crisper top into crisper frame.

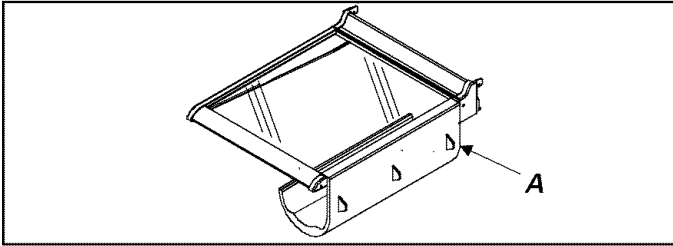


ENGLISH

Bottle Rack (some models)

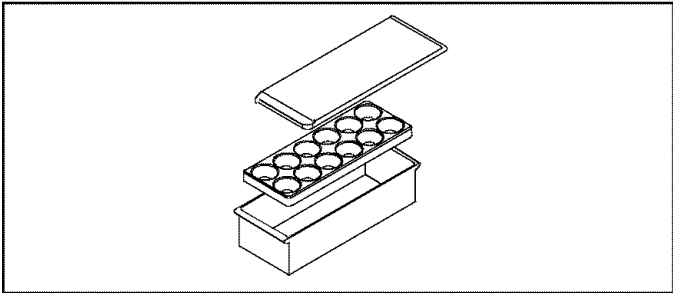
Bottle rack (A) provides convenient storage for a large bottle, eggs, etc.

- Hang rack by hooking over side of shelf.



Covered Utility Bin (some models)

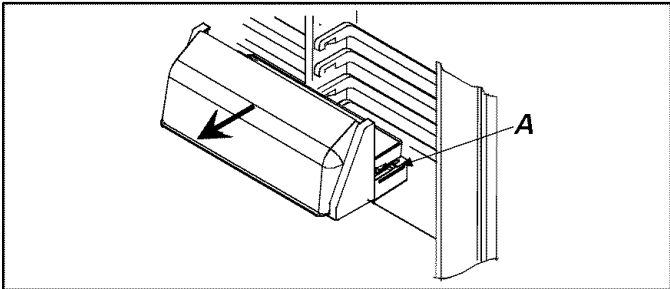
The utility bin has a lid and removable egg tray. When tray is removed, bucket will accept standard egg carton, ice, etc.



Dairy Compartment

Dairy compartment provides convenient storage for butter, cheese, etc.

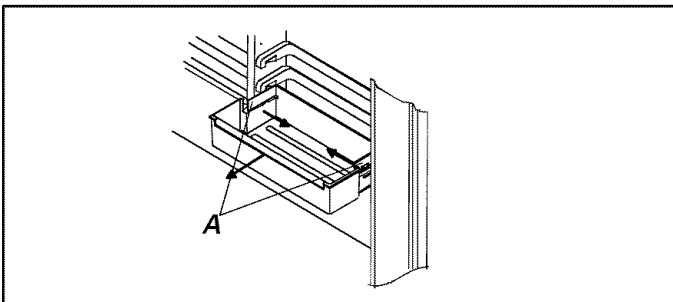
- Remove dairy compartment by lifting door, pushing tabs (A) of shelf down on both sides, and pulling out.
- Replace dairy compartments by sliding in until tabs lock into place, then lower door.



Door Buckets

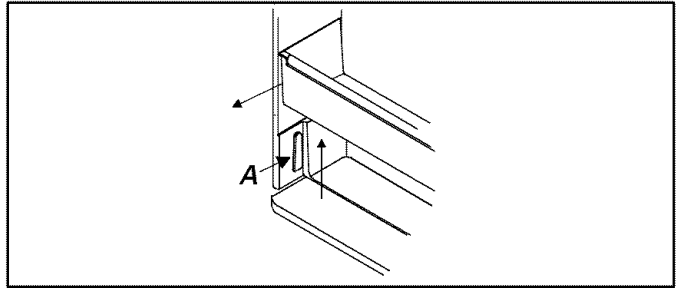
Door buckets adjust to meet individual storage needs.

- Remove door buckets by pushing tabs (A) on both sides of shelves toward center and pulling bucket out.
- Replace door buckets by sliding in until tabs lock into place.



Door Shelves

- Remove door shelves by lifting ends and pulling out.
- Replace door shelves by placing shelf on glides (A) and sliding down.



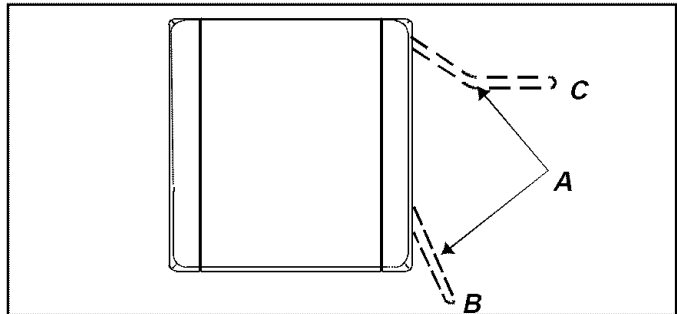
Freezer Features

Frost-Free System

The refrigerator and freezer sections are completely frost-free. Defrosting is automatic under normal conditions. Refrigerator and freezer sections never have to be defrosted.

Automatic Ice Maker (some models)

- Make sure ice bucket is in place and ice maker arm (A) is down (B).



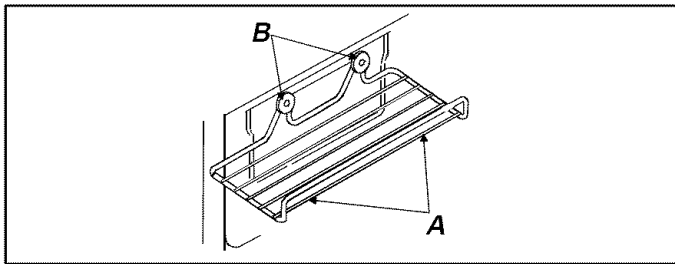
- After freezer section reaches normal temperature, the ice maker fills with water and begins operating. Allow 24–48 hours after installation before first harvest of ice. Ice maker produces 7 to 9 harvests of ice in a 24-hour period under ideal conditions.
- After ice is formed, ice maker drops ice cubes into ice storage bucket. During ice production, ice maker arm raises and lowers. When ice storage bucket is full, ice maker arm turns ice maker off.

Note: Discard first 3 harvests of ice so any impurities left in the water line after installation are not consumed.

- If you wish to stop automatic ice production lift ice maker arm (C). A definite click is heard when proper position is reached. Ice maker arm will remain in that position until pushed down.

Ice Service Rack (some models)

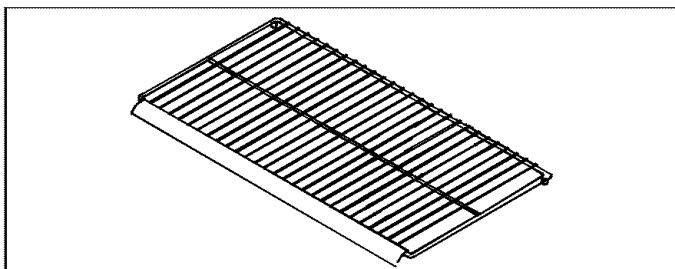
Install ice service rack by placing ice service rack(A) on washers(B) and sliding down.



Wire Shelf

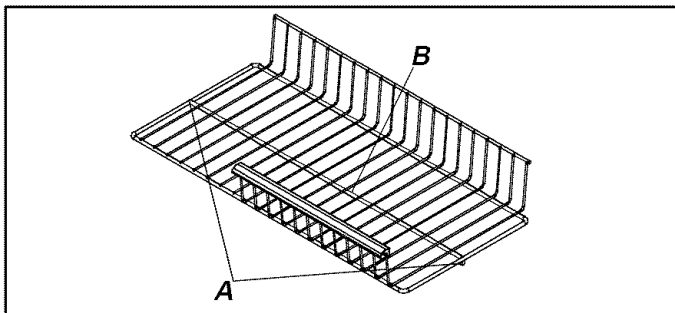
Some models feature a fixed wire shelf.

- Remove wire shelf by pulling out. A sharp tug may be necessary.
- Replace wire shelf by sliding in until back locks in place.



Some models feature a slide out shelf that pulls forward for easy access to items in back.

- Remove slideout shelf by sliding forward until ball point(A) beneath center rail(B) catches in molding groove.
- Grasp shelf by center rail(B), pull up, and remove.
- Slide in until ball point(A) falls into molding groove.



Vertical Shelf Divider(some models)

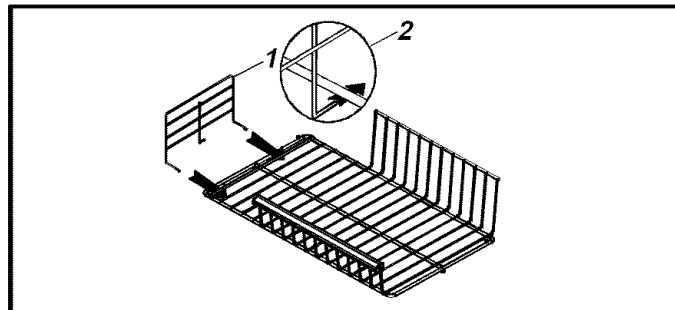
Some slideout shelves have an adjustable vertical shelf divider.

To install divider:

1. Slide prongs of shelf divider beneath desired grill work, slightly off-center from center rail.
2. Press top of divider down and slide hook assembly beneath center rail.

To remove divider:

- Press top of divider down and slide hook out from under center rail.
- Pull back on divider to release prongs from grill work.



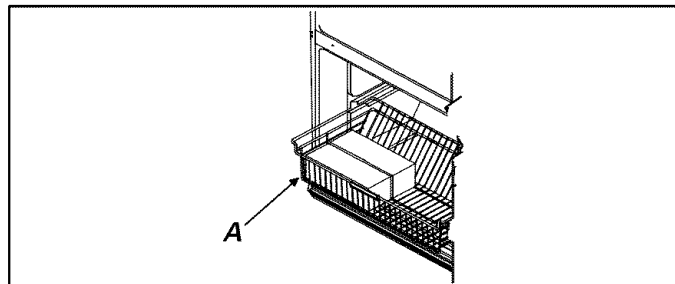
⚠ CAUTION

Make sure shelf is secure before placing items on shelf to avoid property damage.

Wire Basket

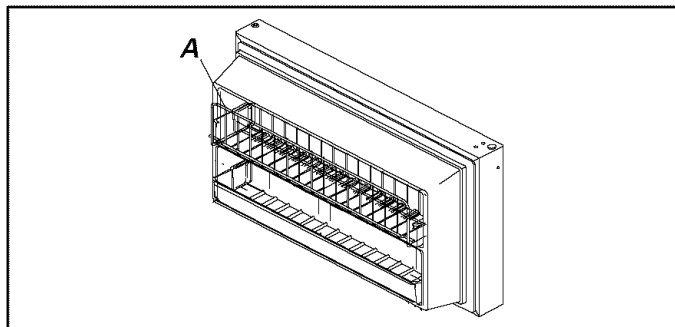
Wire basket(A) slides out for easy access to items in back.

- Remove wire basket by lifting and pulling out.
- Replace wire basket by sliding in.



Tilt-Out Bin (some models)

The tilt-out bin(A) provides convenient storage for frozen food items in freezer door and tilts forward for easy access of those items.



Care and Cleaning

Pullout Drawer Baskets (some models)

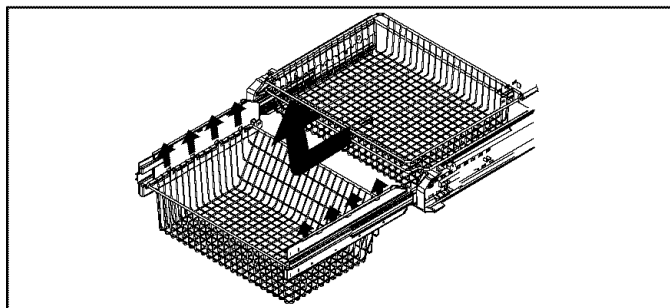
(Door assembly of drawer removed from illustration for visual clarity)

To remove and replace top basket:

- Remove basket by pulling basket out to its full extension and lift out.
- Replace basket by sliding into upper compartment of freezer.

To remove and replace bottom basket:

- Remove basket by lifting basket from rail guides.
- Replace basket by placing into rail guides.

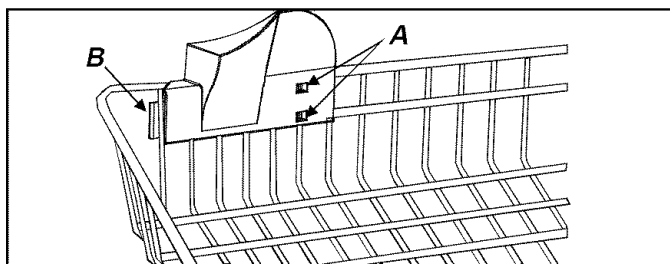


Ice Shield (some models)

The ice shield is mounted at the back of the pullout drawer to prevent ice from falling behind the basket assemblies.

To remove and replace ice shield:

- Slide ice shield to the right to release hooks **(A)** from vertical wire rungs.
- To replace, slide tab **(B)** into place as shown.



WARNING

Disconnect power to refrigerator before cleaning to avoid electrical shock which can cause severe personal injury or death. After cleaning, restore power.

CAUTION

Read and follow all manufacturer's cleaning directions to avoid personal injury or property damage.

General Cleaning

See section on *Stainless Steel Cleaning* if doors are stainless steel.

1. Wash surfaces with 4 tablespoons baking soda dissolved in 1 quart warm water and a soft, clean cloth.
2. Rinse surfaces with warm water. Dry surfaces with a soft, clean cloth.
 - Do not use the following items:
 - abrasive or harsh cleaners, ammonia, chlorine bleach, etc.
 - concentrated detergents or solvents
 - metal scouring padsThese items can scratch, crack and discolor surfaces.
 - Do not place buckets, shelves, etc. in dishwasher.

Stainless Steel Cleaning

Damage to stainless steel finish due to improper use of cleaning products, or using non-recommended cleaning products, is not covered under warranty.

1. Wash surfaces with warm soapy water and a soft, clean cloth or sponge.
2. Rinse surfaces with warm water. Dry surfaces with a soft, clean cloth.
 - Do not use the following harsh cleaners:
 - abrasive or acidic cleaners (ammonia, chlorine bleach, vinegar-based product, etc.)
 - citrus-based cleaners
 - scouring pads (metal, textured plastic, etc.)These items can scratch, discolor, or permanently tarnish surfaces.
3. Follow up rinsing by immediately drying with a soft, clean cloth. This will avoid water spotting on stainless steel finish.

Adhesives

1. Remove adhesive residue from refrigerator surfaces by rubbing toothpaste into adhesive with fingers until adhesive loosens.
2. Rinse surface with warm water. Dry surface with a soft, clean cloth.

Door Gaskets

1. Clean door gaskets every 3 months according to General Cleaning instructions. Clean any spills immediately.

Condenser Coil

Clean condenser coil behind toe grille every 3 months to ensure maximum performance of refrigerator. Accumulated dust and lint may cause the following:

- reduced cooling performance
 - increased energy usage
 - premature part failure
1. Remove toe grille by holding ends and pulling away from refrigerator.
 2. Clean front surface of condenser coil with a vacuum cleaner hose nozzle.
 3. Replace toe grille by inserting clips in holes and snapping in.
 4. Raise stabilizing legs by turning counterclockwise.



CAUTION

Protect soft vinyl or other flooring with cardboard, rugs or other protective material to avoid property damage.

5. Pull refrigerator away from wall. Run a vacuum brush across grille on back of refrigerator.

Glass Shelves



CAUTION

Handle tempered glass shelves carefully to avoid personal injury or property damage. Shelves may break suddenly if nicked, scratched, or exposed to sudden temperature change.

Remove shelf by lifting front, releasing hooks from metal track then pulling out. Place shelf on a towel. Allow shelf to adjust to room temperature before cleaning.

Clean crevices by completing the following:

1. Dilute mild detergent and brush solution into crevices using a plastic bristle brush. Let sit for 5 minutes.
2. Spray warm water into crevices using faucet spray attachment.
3. Dry shelf thoroughly and replace shelf by inserting hooks into metal track and lowering it from the front.

Odor Removal

1. Remove all food and disconnect power to refrigerator.
2. Clean all interior surfaces including ceiling, floor, and walls according to General Cleaning instructions. Pay special attention to corners, crevices, and grooves. Include all drawers, shelves, and gaskets.
3. Connect power to refrigerator and return food to refrigerator. Wash and dry all containers. Wrap foods in tightly sealed containers to prevent further odor. After 24 hours, check if odor has been eliminated.

Complete steps 4–9 if odor has not been eliminated.

4. Place crispers on top shelf of refrigerator section. Pack refrigerator and freezer sections, including doors, with crumpled sheets of newspaper.
5. Place charcoal briquettes randomly throughout newspaper.
6. Close doors and let stand 24–48 hours.
7. Remove charcoal briquettes and newspapers.
8. Complete steps 2–3.

If odor is still not eliminated, contact a Sears Service Center.

Light Bulb Replacement



WARNING

Disconnect power to refrigerator before replacing light bulb to avoid electrical shock which can cause severe personal injury or death. After replacing light bulb, restore power.



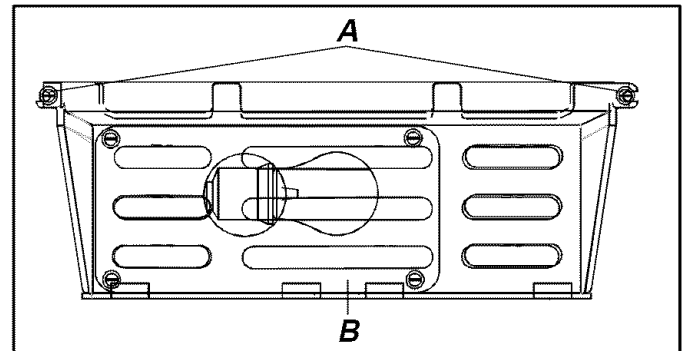
CAUTION

Observe the following to avoid personal injury or property damage.

- Allow light bulbs to cool
- Wear gloves when replacing light bulb.

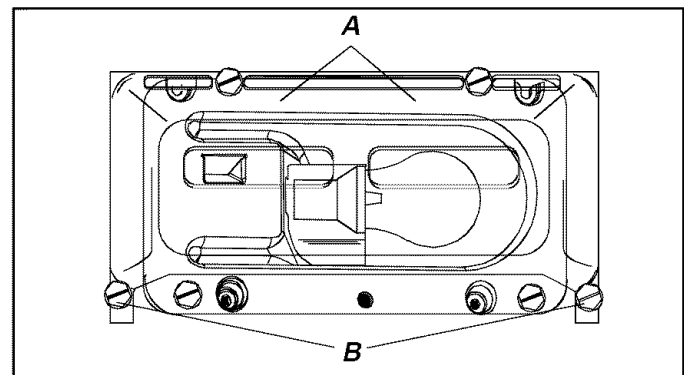
Refrigerator Light

- Remove light bulb cover (**B**) by removing ¼" hex nut screws (**A**). Replace with appliance bulb **no greater than 60 watts**.
- Replace light bulb cover by replacing ¼" hex nut screws.



Freezer Light

- Remove light bulb cover (**B**) by removing ¼" hex nut screws (**A**). Replace with appliance bulb **no greater than 60 watts**.
- Replace light bulb cover by replacing ¼" hex nut screws.



Vacation Tips

Complete the following steps for short vacations.

1. Remove perishable foods.
2. If an ice maker is installed, move ice maker arm to *Off* position. (See "Automatic Ice Maker" section.)

Complete the following steps for long vacations.

1. Empty refrigerator and freezer sections.
2. Unplug refrigerator.
3. Clean refrigerator and door gaskets according to General Cleaning instructions in "Care and Cleaning" section.
4. Prop doors open, so air can circulate inside.
5. If an ice maker is installed, turn off water supply to refrigerator and move ice maker arm to *Off* position. (See "Automatic Ice Maker" section.)

Energy Tips

- Operate in normal household temperatures of 55° to 110°F (13° to 43°C) away from heat sources and direct sunlight.
- Set refrigerator, freezer, and temperature controlled meat drawer system controls no colder than necessary.
- Keep freezer section full.
- Keep door gaskets clean and pliable. Replace gaskets if worn.
- Keep condenser coil clean.

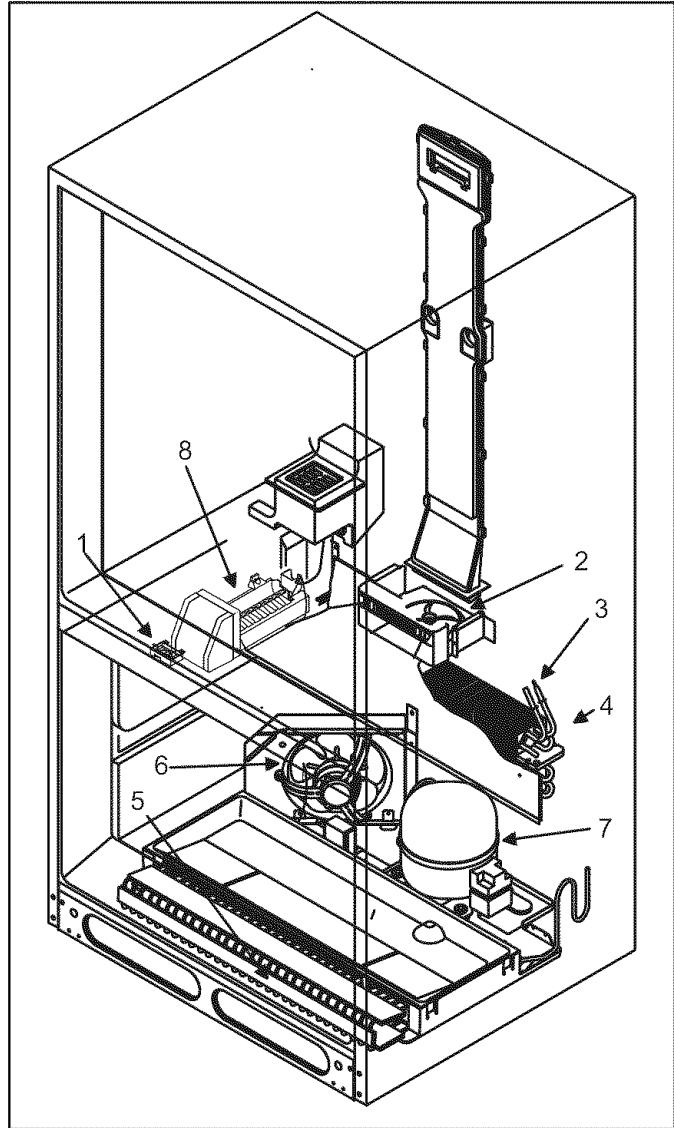
Normal Operating Sounds

This new refrigerator may be replacing a differently designed, less efficient or smaller refrigerator. Today's refrigerators have new features and are more energy efficient. As a result, certain sounds may be unfamiliar. These sounds are normal and will soon become familiar to you. They also indicate refrigerator is operating and performing as designed.

1. **Freezer control** clicks when starting or stopping compressor.
2. **Freezer fan** air rushes and whirs.
3. **Sealed system** (evaporator and heat exchanger) refrigerant flow gurgles, pops or sounds like boiling water.
4. **Defrost heater** sizzles, hisses or pops.
5. **Defrost timer** sounds like an electric clock and snaps in and out of defrost cycle.
6. **Condenser fan** air rushes and whirs.
7. **Compressor** has a high pitched hum or pulsating sound and cycles on and off.
8. **Ice cubes** from ice maker (some models) drop into ice bucket.

9. **Ice maker water valve hookup** (some models) buzzes when ice maker fills with water. This occurs whether or not refrigerator is connected to water supply. If refrigerator is not connected to water supply, stop sound by raising ice maker arm to *Off* position. Ice maker water valve hookup is located behind condenser fan in back of refrigerator.

Note: Foam insulation is very energy efficient and has excellent insulating capabilities. However, foam insulation is not as sound absorbent as previously used fiberglass insulation.




Before Calling For Service

Problem	Solution
Refrigerator does not operate.	<ul style="list-style-type: none"> • Make sure freezer control is on. • Make sure refrigerator is plugged in. If not, firmly plug the cord into a live outlet with proper voltage. • Check fuse or circuit breaker. Plug in another item at that wall outlet. If outlet does not work, replace the fuse or reset the circuit. • If freezer control is on, light works but 2 fans and compressor are not operating, refrigerator may be in defrost cycle. Wait 40 minutes to see if refrigerator restarts.
Refrigerator still will not operate.	<ul style="list-style-type: none"> • Unplug refrigerator. Transfer food to another refrigerator or place dry ice in freezer section to preserve food. Call for service.
Food temperature appears too warm.	<ul style="list-style-type: none"> • See above sections. • Allow time for recently added warm food to reach refrigerator or freezer temperature. Adding food warms the refrigerator. It can take a few hours for the refrigerator to return to normal temperature. • Check gaskets for proper seal. Gaskets should seal tightly to cabinet. • Clean condenser coils. See “Condenser Coils” instructions in “Care and Cleaning” section. • Adjust refrigerator and/or freezer control. See “Setting Controls” instructions in “Controls” section. • Freezer or refrigerator light stays on. If light stays on, call service. • Return air vents behind crisper are blocked restricting airflow. Locate return air vent behind crispers and remove any debris that blocks vents or restricts airflow.
Temperature-controlled meat drawer is too warm.	<ul style="list-style-type: none"> • Slide control to colder setting. • Adjust freezer control to colder setting. See “Setting Controls” instructions of “Controls” section.
Food temperature is too cold.	<ul style="list-style-type: none"> • Clean condenser coils. See “Condenser Coils” instructions in “Care and Cleaning” section. • Adjust refrigerator control. See “Setting Controls” instructions in “Controls” section. • Adjust freezer control to warmer setting. See “Setting Controls” instructions in “Controls” section. Allow several hours for temperature to adjust.
Refrigerator runs too frequently.	<ul style="list-style-type: none"> • It may be normal to maintain constant temperature. • Doors have been opened frequently or for an extended period of time. When the door is opened warm humid air is allowed into the refrigerator. The more the door is opened the more warm air the refrigerator must cool. • Allow time for recently added warm food to reach refrigerator or freezer temperature. It can take a few hours for the refrigerator to return to normal temperature. • Clean condenser coils. See “Condenser Coils” instructions in “Care and Cleaning” section. • Adjust freezer control. See “Setting Controls” instructions in “Controls” section. • Check gaskets for proper seal. Gaskets should seal tightly to cabinet. • Freezer light stays on. If light stays on, call service. • Make sure refrigerator is level. See “Leveling Refrigerator” section of Installation Instructions.
Water droplets form on inside of refrigerator.	<ul style="list-style-type: none"> • It is normal during high humidity periods or if doors have been opened frequently. • Wrap food tightly and wipe off damp containers prior to storing in the refrigerator to avoid moisture accumulation.
Water droplets form on outside of refrigerator.	<ul style="list-style-type: none"> • Check door seals for proper seal. Gaskets should seal tightly to cabinet. • It is normal during high humidity periods or if doors have been opened frequently.

Before Calling For Service

Problem	Solution
Meat drawer or crisper drawer does not close freely.	<ul style="list-style-type: none"> • Check for a package that may prevent drawer from closing properly. • Confirm drawer is in proper position. • Clean drawer channels with warm, soapy water. Rinse and dry thoroughly. • Apply a thin layer of petroleum jelly to drawer channels. • Confirm refrigerator is level.
Refrigerator has an odor.	<ul style="list-style-type: none"> • See "Odor Removal" instructions in "Care and Cleaning" section.
Refrigerator makes unfamiliar sounds or seems too loud.	<ul style="list-style-type: none"> • It may be normal. See "Normal Operating Sounds" section.
Ice cubes have an odor.	<ul style="list-style-type: none"> • See "Odor Removal" instructions in "Care and Cleaning" section. • Ice maker (some models) was recently installed. Discard first few batches of ice to avoid discolored or off-flavored ice. • Food has not been wrapped tightly in either refrigerator or freezer compartment. Rewrap foods since odors may migrate to the ice if food is not wrapped properly. • Discard ice and clean ice bucket or trays more frequently. Ice cubes are porous and absorb odors easily. • Water supply contains minerals such as sulfur. In some situations a filter may need to be installed to eliminate taste and odor problems.
Ice cubes stick together or "shrink".	<ul style="list-style-type: none"> • Empty ice cube bucket or trays more frequently. If used infrequently, ice cubes may stick together or shrink.
Ice maker (some models) is not producing ice.	<ul style="list-style-type: none"> • Water pressure may be too low or high. Ice maker requires a water pressure of 20-100 psi to function properly. • Confirm ice maker arm is down. See "Automatic Ice Maker" section. • Confirm household water supply is reaching water valve. Make sure the water valve shut off is fully turned on. • Piercing type or $\frac{3}{16}$" saddle valve was used for hookup. Both reduce water flow and may become clogged with time. Replace these valves with correct type of saddle valve requiring $\frac{1}{4}$" hole to be drilled in water supply pipe prior to valve attachment. • Confirm ice maker wiring harness is inserted completely in proper holes. • Check for kinks in copper or plastic tubing. Remove kinks or replace tubing. • Check electrical connections to water valve coil and connector block on refrigerator cabinet. • If a water filter has been installed on the water line outside the refrigerator, check the filter for clogs or improper installation of the filter.
Ice maker (some models) is not producing enough ice.	<ul style="list-style-type: none"> • Ice maker has just recently been installed or a large amount of ice has just been used. Wait 24 hours for ice production to begin and for ice maker to restock after emptied. • Confirm household water supply is reaching water valve. Make sure the water valve shut off is fully turned on. • Piercing type or $\frac{3}{16}$" saddle valve was used for hookup. Both reduce water flow and may become clogged with time. Replace these valves with correct type of saddle valve requiring $\frac{1}{4}$" hole to be drilled in water supply pipe prior to valve attachment. • Check for kinks in copper or plastic tubing. Remove kinks or replace tubing • Confirm freezer section is operating at proper temperature. Freezer must be cold enough to produce ice. See "Setting Controls" section.
Ice forms in inlet tube to ice maker (some models).	<ul style="list-style-type: none"> • Check water pressure. Low water pressure causes valves to leak. • Piercing type or $\frac{3}{16}$" saddle valve was used for hookup. Both reduce water flow and may become clogged with time. Replace these valves with correct type of saddle valve requiring $\frac{1}{4}$" hole to be drilled in water supply pipe prior to valve attachment.

 Reconozca este símbolo como precaución de seguridad.

Requerimientos eléctricos

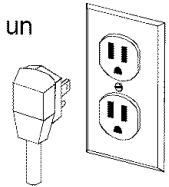
ADVERTENCIA

No corte ni elimine, bajo ninguna circunstancia, la punta redonda de conexión a tierra del enchufe. El refrigerador debe estar conectado a tierra en todo momento. No quite el rótulo de advertencia del cordón eléctrico.

No utilice un adaptador de dos puntas. No utilice un cable de extensión.

Instrucciones para conexión a tierra — Este refrigerador está equipado con un enchufe de tres puntas (para conexión a tierra) para proveer protección contra posibles riesgos de descargas eléctricas. Si tiene un tomacorriente de dos orificios, comuníquese con un electricista calificado para que reemplace este tomacorriente de pared de dos orificios por otro de tres orificios correctamente conectado a tierra, en conformidad con el Código Eléctrico Nacional.

Este refrigerador ha sido diseñado para que funcione con una línea separada de 103 a 126 voltios, 15 amperios y 60 ciclos.



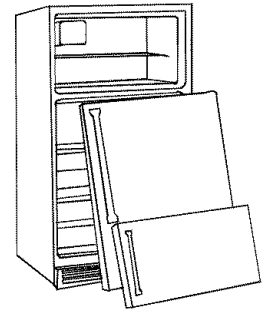
PELIGRO

Forma apropiada de desechar su refrigerador

IMPORTANTE: Los niños atrapados y asfixiados en refrigeradores no es cosa del pasado. Los refrigeradores que se arrumban o abandonan, aun cuando sea por “solo unos cuantos días”, continúan siendo un peligro. Si desecha un refrigerador viejo, sírvase seguir las siguientes instrucciones para ayudar a prevenir un accidente.

ANTES DE TIRAR SU REFRIGERADOR O CONGELADOR VIEJO:

- Quitele las puertas.
- Déjele las repisas puestas para que los niños no puedan meterse fácilmente.



Garantía

Garantía completa de un año en el refrigerador

Por un año a partir de la fecha de compra, cuando a este refrigerador se le da el funcionamiento y el mantenimiento indicados en las instrucciones adjuntas o proporcionadas con él, Sears reparará este refrigerador, sin cargo alguno, por defectos de fabricación y materiales.

Garantía completa de cinco años en el sistema de refrigeración sellado

Por cinco años a partir de la fecha de compra, cuando a este refrigerador se le da el funcionamiento y el mantenimiento indicados en las instrucciones adjuntas o proporcionadas con el, Sears reparará el sistema sellado (que consiste del refrigerador, tubería de conexión y motor del compresor) sin cargo alguno, por defectos de fabricación y materiales.

La cobertura de garantía anterior se aplica sólo a los refrigeradores que se usan para almacenar alimentos en hogares particulares.

El servicio de garantía está a su disposición comunicándose al 1-800-4-MY-HOME (469-4663).

Esta garantía se aplica solamente mientras este producto se use en los Estados Unidos.

Esta garantía otorga derechos legales específicos y usted puede tener también otros derechos, los cuales pueden variar en distintos estados.

Sears, Roebuck y Co., Depto. 817WA, Hoffman Estates, IL 60179 EE.U.U.

Lea y conserve estas instrucciones

Registre el número de modelo y de serie en el espacio que se proporciona más adelante 31; estos números se encuentran localizados en la placa de serie en la pared superior izquierda del compartimiento del refrigerador.

Número de modelo: 596 _____

Número de serie: _____

Fecha de compra: _____

Contenido

Requerimientos eléctricos	22
Forma apropiada de desechar su refrigerador	22
Garantía	22
Identificación del modelo	22
Requerimientos de espacio	23
Instrucciones para los modelos con puerta articulada	24
Remoción de la puerta y las bisagras	24
Para invertir las puertas	24
Para volver a colocar las puertas	25
Instrucciones para los modelos de cajón deslizante del congelador	26
Para quitar la puerta y las bisagras del refrigerador	26
Para invertir la puerta	26
Para volver a colocar la puerta del refrigerador	27
Para quitar y reemplazar el cajón deslizante y la pata estabilizadora	27
Conexión para la línea de suministro de agua de la máquina de hielos (en algunos modelos)	29
Nivelación del refrigerador	30
Los modelos con puerta articulada	30
Los modelos de cajón deslizante del congelador	30
Controles	31
Controles de las secciones refrigerador y congelador	31
Ajuste de los controles	31
Características del refrigerador	31
Repisas del refrigerador	31
Cajón ajustable para embutidos (en algunos modelos)	31
Cajón para frutas y verduras	32
Cajón para carne	32
Sistema de cajones para frutas y verduras y para carnes (en algunos modelos)	32
Compartimiento para botellas (en algunos modelos)	33
Compartimiento cubierto para almacenamiento (en algunos modelos)	34
Compartimiento para productos lácteos	34
Compartimientos de la puerta	34
Repisas de la puerta	34
Características del congelador	34
Sistema sin escarcha (Frost-Free)	34
Máquina de hielo automática (en algunos modelos)	34
Rejilla para servicio de hielo (en algunos modelos)	35
Repisa de alambre	35
Separador de repisa vertical (en algunos modelos)	35
Canasta de alambre	35
Separador de canasta vertical (en algunos modelos)	36
Compartimiento inclinado (en algunos modelos)	36
Canastas deslizables de cajón (en algunos modelos)	36
Protector de hielo (en algunos modelos)	36
Cuidado y limpieza	37
Generalidades	37
Limpieza del acero inoxidable	37
Adhesivos	37
Empaques de la puerta	37
Serpentin del condensador	37
Repisas de vidrio	37
Eliminación de olores	37
Reemplazo de focos	38
Sugerencias para las vacaciones	38
Sugerencias para conservar energía	38
Sonidos normales de funcionamiento	39
Antes de llamar para solicitar servicio	40

Nota: La traducción algunas veces puede causar variaciones en el significado. En todos los casos cuando el significado varíe, el más preciso será el de la versión en inglés de este documento.

Requerimientos de espacio



ADVERTENCIA

Mantenga los materiales y los vapores inflamables, como gasolina, lejos del refrigerador. El no hacerlo puede causar como resultado la muerte, una explosión, un incendio o quemaduras.

- Para asegurar la ventilación apropiada del refrigerador, deje un espacio de 1" (2.5 cm) en la parte superior del refrigerador.
- Si su refrigerador tiene una máquina para hacer hielo, asegúrese de dejar espacio adicional en la parte posterior para la conexión de la línea de agua. El refrigerador puede estar al ras con la pared posterior si no instala una máquina para hacer hielo.
- Si se instala el refrigerador junto a una pared fija, deje un espacio de 2 ½" (6.35 cm) en cada lado (dependiendo del modelo) para permitir que las puertas se abran 90°.

NOTA: No instale el refrigerador junto a un horno, radiador u otra fuente de calor, ni en un área donde la temperatura bajará a menos de 55° F (13° C).

Instrucciones para los modelos con puerta articulada

La instalación correcta del refrigerador asegurará el funcionamiento más eficiente. Amana no se puede hacer responsable de una instalación incorrecta.

Herramientas necesarias

Espátula

Cinta adhesiva

Destornillador Phillips

Destornillador hexagonal de tuercas de $\frac{1}{4}$ "

Destornillador hexagonal de tuercas de $\frac{5}{16}$ "

Destornillador hexagonal de tuercas de $\frac{3}{8}$ "

Destornillador hexagonal de tuercas de $\frac{3}{8}$ "

¡IMPORTANTE!

- Conserve todos los tornillos para volver a usarlos.
- Para quitar el tapón cuando se requiera usar una espátula, **la hoja debe estar cubierta con cinta masking para evitar dañar el acabado del refrigerador.** Para los tapones que usan un destornillador o una llave para tuercas, use la herramienta apropiada para evitar dañar los tapones.

Remoción de las puertas y las bisagras

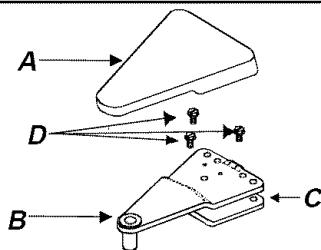
Algunas instalaciones podrían requerir la remoción de la puerta y la bisagra para transportar la unidad a la ubicación final.



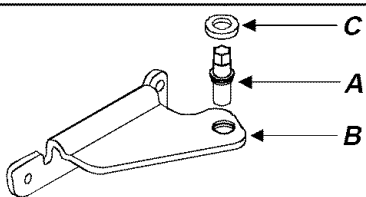
ADVERTENCIA

Desconecte la corriente eléctrica del refrigerador antes de quitar las puertas para evitar descargas eléctricas que pueden causar lesiones personales graves o la muerte. Después de volver a colocar las puertas, conecte la corriente eléctrica.

1. Quite la cubierta de la bisagra superior (A). La cubierta de la bisagra superior se saca de golpe. Mientras sostiene la puerta del refrigerador, quite la bisagra superior (B) y el adorno (C) usando una llave para tuercas hexagonales de $\frac{5}{16}$ " para quitar los tornillos (D).

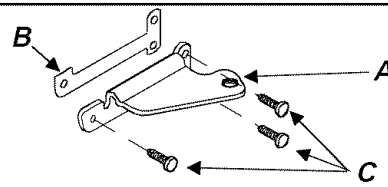


2. Levante y saque la puerta de la bisagra central de la puerta.
3. Levante y saque la articulación de la puerta (A) del pasador de la bisagra central (B) usando una llave para tuercas hexagonales de $\frac{5}{16}$ ". Quite y conserve todos los espaciadores de las arandelas redondas (C—algunos modelos).

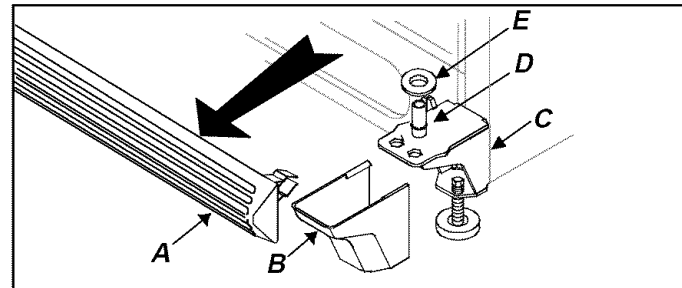


4. Quite la puerta del congelador levantándola y sacándola de la bisagra inferior.

5. Quite la bisagra central (A) y el adorno (B) quitando los tornillos (C) con el destornillador Phillips.



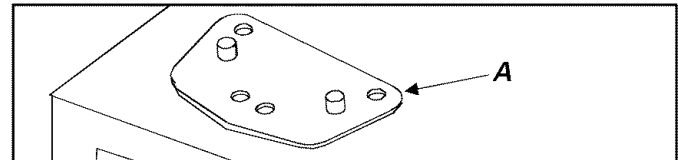
6. Quite la parrilla inferior (A) y la cubierta de la bisagra inferior (B). Ambas se sueltan.
7. Quite la bisagra inferior y el espaciador (C) con la llave para tuercas hexagonales de $\frac{3}{8}$ ". Quite el pasador de la bisagra (D). Quite y conserve todos los espaciadores de la arandelas redondas (E), si hay alguna.



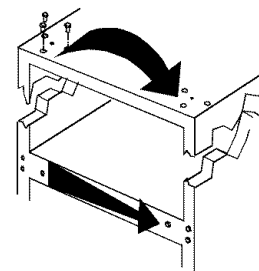
Para invertir las puertas

Algunas instalaciones pueden requerir que las puertas se tengan que invertir para que abran completamente. Para invertir la dirección en la que abren las puertas siga los pasos a continuación:

1. Siga todas las instrucciones de la sección **Remoción de las puertas y las bisagras**.
2. Desprenda el lado positivo de la cuña de la parte superior de la unidad (A). **NOTA:** Mantenga la superficie adhesiva de la cuña libre de tierra y polvo hasta que esté lista para volver a colocarla. Si se ensucia la superficie adhesiva no podrá volver a instalarse apropiadamente.

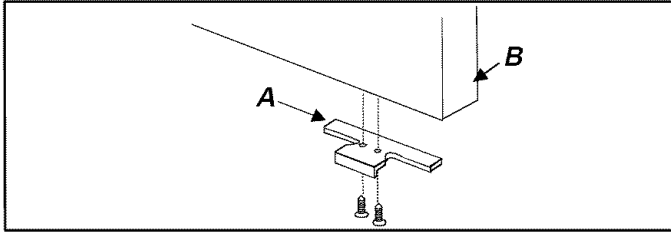


3. Transfiera tres tapones del gabinete de la esquina superior del gabinet a los orificios que quedaron al quitar las bisagra superior.
4. Transfiera tres tornillos de cabeza hexagonal de $\frac{5}{16}$ " opuesta a los orificios que quedaron al quitar la bisagra central.



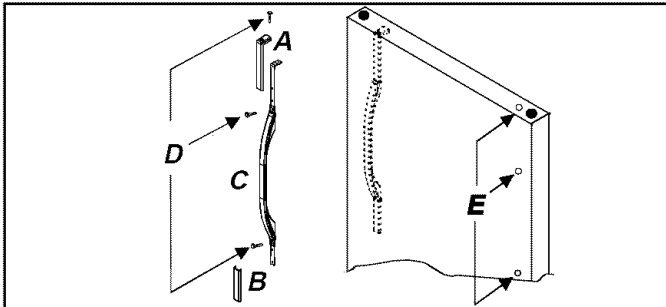
Remoción de los toques de la puerta

1. Destornille dos tornillos Phillips y quite el tope de la puerta (A) de la puerta del refrigerador y del congelador (B). Conserve todos los tornillos para volver a colocar el tope de la puerta.



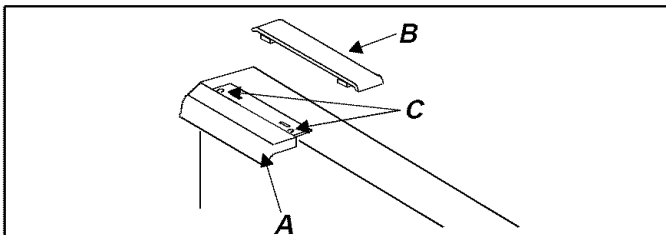
Invierta el asa (diseño montado por el frente)

1. Quite el tornillo del asa del adorno del asa (A). Saque a presión el borde del adorno del asa (A y B) usando la hoja de una espátula recubierta con cinta adhesiva protectora. Quite el asa (C) de la puerta quitándole el tornillo restante de montaje de cada extremo del asa (D).
2. Quite los tapones de la puerta del lado de la bisagra (E). Vuelva a colocar los tapones en los orificios vacíos de montaje.
3. Monte el asa del refrigerador (C) en el lado opuesto de la puerta usando los tornillos de montaje que se quitaron en el paso anterior.
4. Coloque a presión el asa del refrigerador (A y B) en su lugar y vuelva a colocar el tornillo en la parte superior del asa.

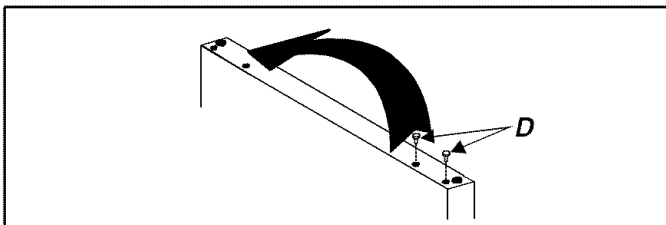


Inversión del asa del congelador

1. Localice las dos muescas en la parte posterior del asa del congelador (A). Inserte la hoja de una espátula recubierta con cinta adhesiva protectora. Saque a presión la parte posterior de la tapa del asa (B) y quítela.
2. Quite el asa de la puerta quitándole los tornillos (C).



3. Transfiera los tapones (D) del lado opuesto de la puerta del congelador a los orificios vacíos de montaje.

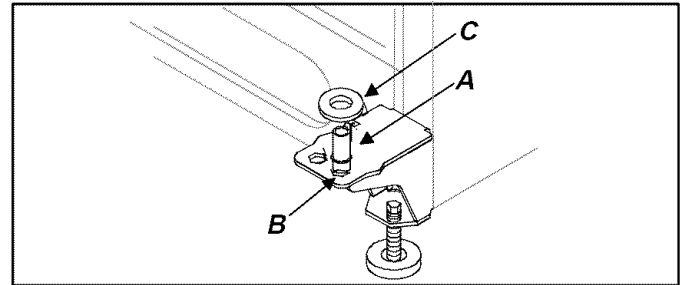


Reemplazo del tope de la puerta

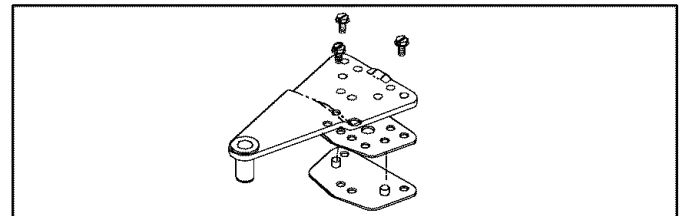
1. Monte el lado opuesto del asa del tope de la puerta en la cara inferior la puerta.

Para volver a colocar las puertas

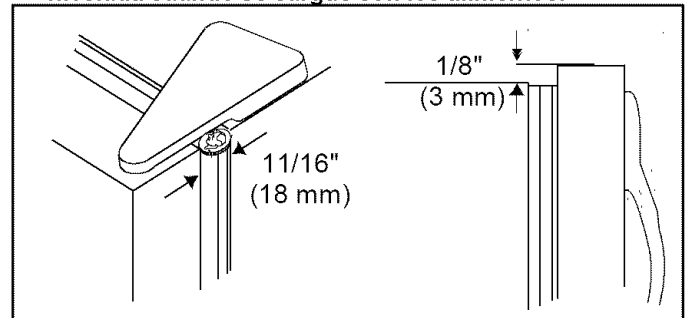
1. Vuelva a colocar la bisagra inferior y las cuñas con los tornillos hexagonales de $\frac{3}{8}$ " que quedaron al quitar la bisagra.
2. Vuelva a colocar el pasador de la bisagra inferior (A) en el orificio del soporte de la bisagra (B) hacia afuera del gabinete. Vuelva a colocar todas las cuñas de la lavadora (C en algunos modelos).



3. Coloque de nuevo la bisagra central y las cuñas con los tornillos Phillips que quedaron al quitar la bisagra.
4. Coloque la puerta del congelador en el pasador de la bisagra inferior.
5. Coloque de nuevo el pasador de la bisagra central con un destornillador hexagonal de $\frac{5}{16}$ ". Asegúrese que quede bien ajustado. Coloque de nuevo todas las cuñas de las arandelas (en algunos modelos).
6. Ensamble la bisagra superior, la cuña de la bisagra y acomode la cuña. Sujétela sin apretarla en el lado opuesto del gabinete para que quede espacio en la puerta.



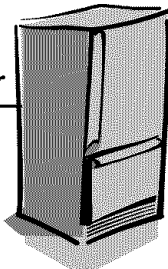
7. Coloque la puerta del refrigerador en la bisagra central. Apriete la bisagra superior para que quede sujeta con firmeza a la puerta.
8. Use una moneda pequeña en la parte superior para separar la puerta $\frac{11}{16}$ " (18 mm) del gabinete. El lado de la puerta del asa debe estar aproximadamente $\frac{1}{8}$ " (3 mm) más alto que el lado de la bisagra. La puerta quedará nivelada cuando se cargue con los alimentos.



9. Coloque de nuevo la cubierta de la bisagra.

Nota: Si se requiere el suministro de agua para la máquina de hielo, proceda con la sección *Conexión de la línea de suministro de agua a la máquina de hielo*. Si no es así, proceda con la sección titulada *Nivelación del refrigerador*.

Instrucciones para los modelos de cajón deslizante del congelador



La instalación correcta del refrigerador asegurará el funcionamiento más eficiente. Amana no se puede hacer responsable de una instalación incorrecta.

Herramientas necesarias

Destornillador T-15 Torx™
 Destornillador hexagonal de tuercas de $\frac{3}{8}$ "
 Cinta adhesiva

Destornillador Phillips
 Destornillador hexagonal de tuercas de $\frac{5}{16}$ "
 Espátula

IMPORTANTE:

- Conserve todos los tornillos para volver a usarlos.
- Para quitar el tapón cuando se requiera usar una espátula, la hoja debe estar cubierta con cinta *masking* para evitar dañar el acabado del refrigerador. Para los tapones que usan un destornillador o una llave para tuercas, use la herramienta apropiada para evitar dañar los tapones.

Para quitar la puerta y las bisagras del refrigerador

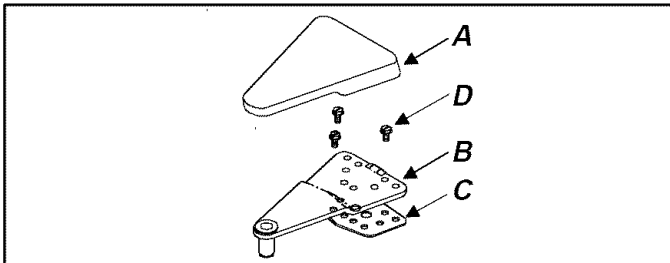
Algunas instalaciones podrían requerir la remoción de la puerta para transportar la unidad a la ubicación final.



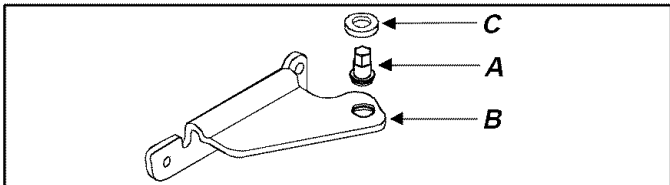
ADVERTENCIA

Desconecte la corriente eléctrica del refrigerador antes de quitar las puertas para evitar descargas eléctricas que pueden causar lesiones personales graves o la muerte. Después de volver a colocar las puertas, conecte la corriente eléctrica.

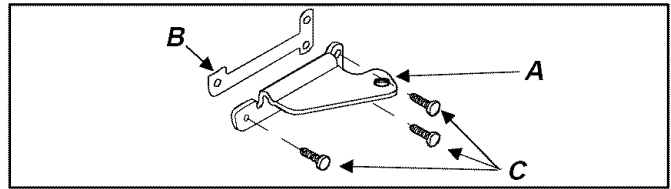
1. Quite la cubierta de la bisagra superior (A). La cubierta de la bisagra superior se saca de golpe. Mientras sostiene la puerta del refrigerador, quite la bisagra superior (B) y el adorno (C) usando una llave para tuercas hexagonales de $\frac{5}{16}$ " para quitar los tornillos (D).



2. Levante y saque la puerta de la bisagra central de la puerta.
3. Quite el pasador de la bisagra central (A) del soporte de la bisagra central (B) con una llave para tuercas hexagonales de $\frac{9}{32}$ ". Quite y conserve todos los espaciadores de las arandelas redondas (C—some models).



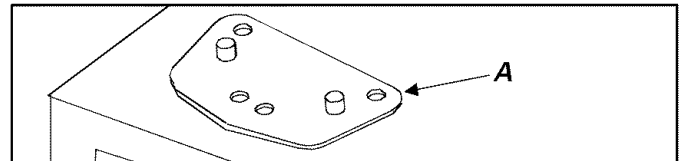
4. Quite el soporte de la bisagra central (A) y el espaciador (B) quitando los tornillos (C) con el destornillador Phillips.



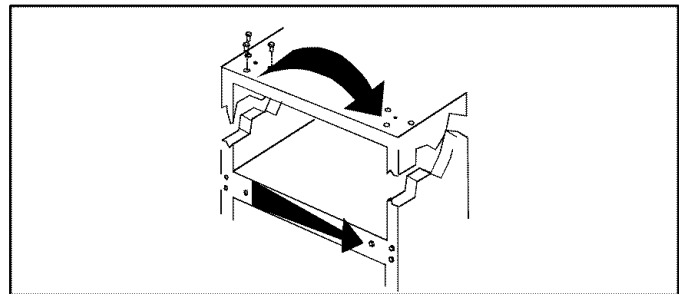
Para invertir la puerta

Algunas instalaciones pueden requerir que las puertas se tengan que invertir para que abran complemente. Para invertir la dirección en la que abren las puertas siga los pasos a continuación.

1. Siga todas las instrucciones de la sección **Remoción de la puerta de refrigerador y las bisagras**.
2. Desprenda el lado positivo de la cuña de la parte superior de la unidad (A). **NOTA:** Mantenga la superficie adhesiva de la cuña libre de tierra y polvo hasta que esté lista para volver a colocarla. Si se ensucia la superficie adhesiva no podrá volver a instalarse apropiadamente.

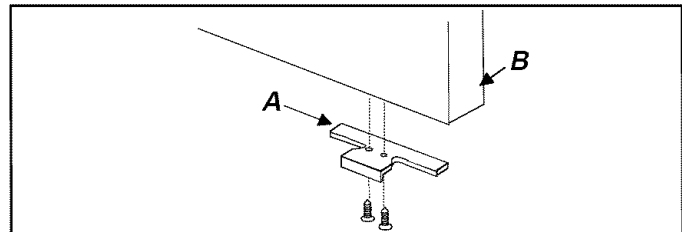


3. Transfiera tres tapones del gabinete de la esquina superior del gabinete a los orificios que quedaron al quitar las bisagras superior.
4. Transfiera tres tornillos de cabeza hexagonal de $\frac{5}{16}$ " opuesta a los orificios que quedaron al quitar la bisagra central.



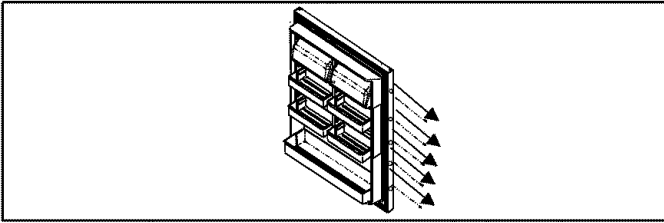
Remoción de los topes de la puerta

1. Destornille dos tornillos Phillips y quite el tope de la puerta (A) de la puerta (B). Conserve todos los tornillos para volver a colocar el tope de la puerta.

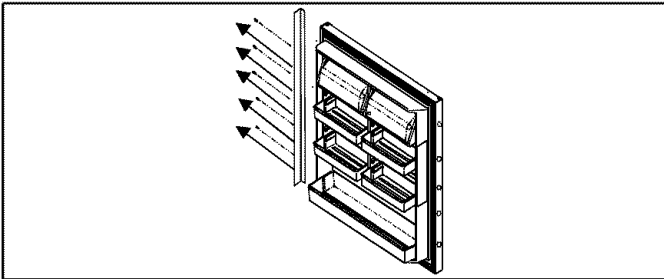


Inversión del asa

1. Quite los tapones del borde de la puerta. Consérvelos para volver a usarlos más adelante.



2. Quite los tornillos Torx™ del borde de la puerta. Consérvelos para volver a usarlos más adelante.



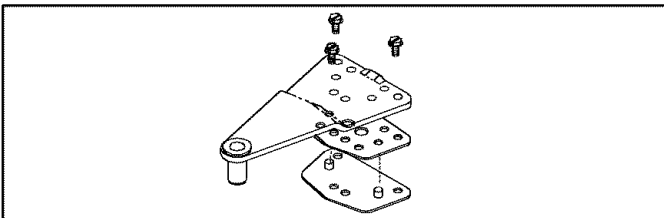
3. Monte el asa en el lado opuesto de la puerta usando los tornillos de la remoción.
4. Coloque los tapones en el borde de la puerta del lado opuesto al asa.

Reemplazo del tope de la puerta

1. Monte el tope de la puerta en el lado opuesto al asa en la cara inferior de la puerta.

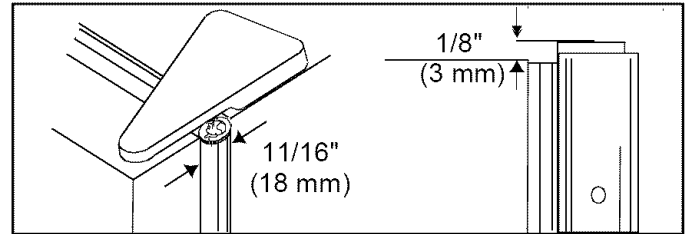
Para volver a colocar la puerta del refrigerador

1. Coloque de nuevo la bisagra central y las cuñas con los tornillos Phillips que quedaron al quitar la bisagra.
2. Coloque de nuevo el pasador de la bisagra con un destornillador hexagonal de $5/16$ ". Asegúrese que quede bien ajustado. Coloque de nuevo todas las cuñas de las arandelas redondas (en algunos modelos).
3. Ensamble la bisagra superior, la cuña de la bisagra y acomode la cuña. Sujétela sin apretarla en el lado opuesto del gabinete para que quede espacio en la puerta.



4. Coloque la puerta del refrigerador en la bisagra central. Apriete la bisagra superior para sostener con firmeza la puerta.

5. Use una moneda pequeña para separar la puerta $11/16$ " (18 mm) del gabinete. El lado de la puerta del asa debe estar aproximadamente $1/8$ " (3 mm) más alto que el de la bisagra. La puerta se nivelará cuando se cargue con los alimentos.



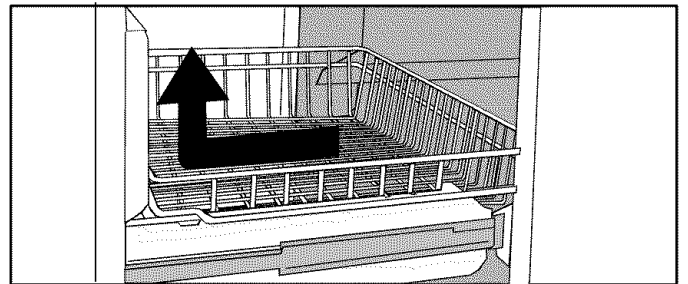
6. Coloque nuevamente la cubierta de la bisagra.

Nota: Si se requiere el suministro de agua para la máquina de hielo, proceda con **Conexión de la línea de suministro de agua a la máquina de hielo**. Si no es así, proceda con la sección titulada **Nivelación del refrigerador**.

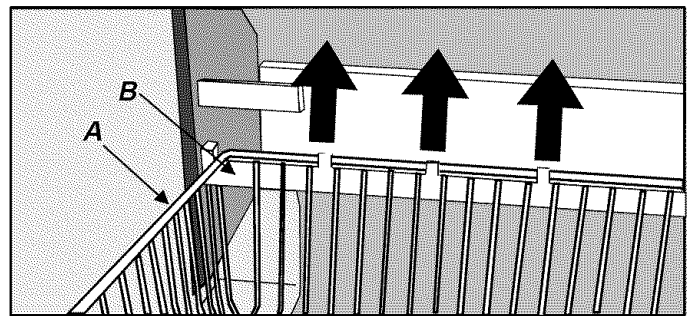
Para quitar y reemplazar el cajón deslizante y la pata estabilizadora

Para quitar el cajón del congelador

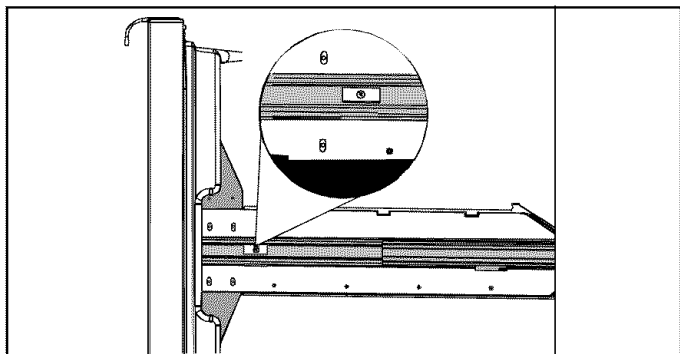
1. Abra el cajón del congelador completamente.
2. Saque todos los artículos de las canastas.
3. Deslice la canasta superior de alambre completamente hacia afuera y levántela para sacarla.



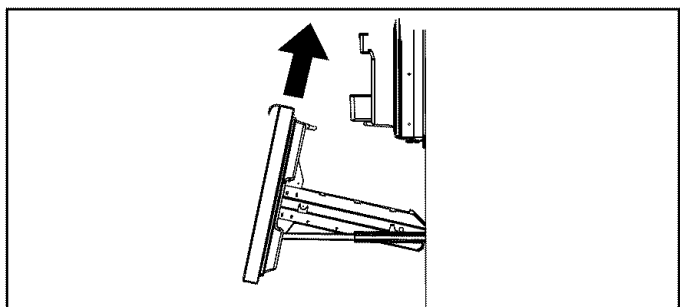
4. Saque la canasta inferior (A) levantándola de las guías de los rieles (B).



5. Quite el tornillo Phillips (C) de cada lado del ensamble del riel del cajón (D). **NO** quite los tornillos hexagonales del ensamble del riel.

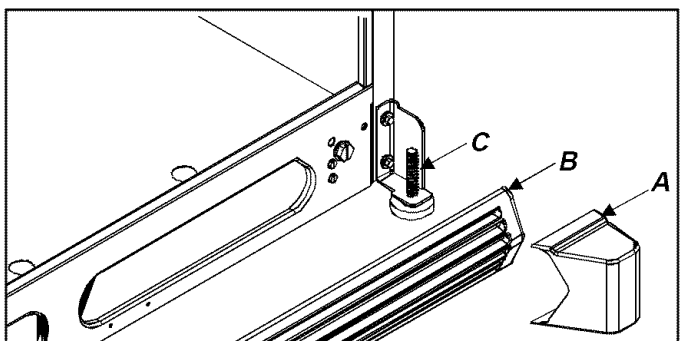


6. Levante el asa delantera del cajón del congelador para desenganchar los ganchos del riel del cajón (E) del interior del ensamble del riel (F). Levante el ensamble del cajón para sacarlo.



Instrucciones opcionales si existen problemas de espacio libre para transportarla

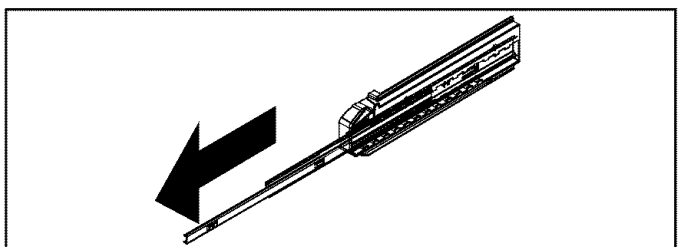
1. Quite las dos cubiertas de las patas estabilizadoras (A) y la parrilla inferior (B). Ambas se salen.
2. Quite los dos soportes estabilizadores (C) con un destornillador hexagonal de $\frac{3}{8}$ ".



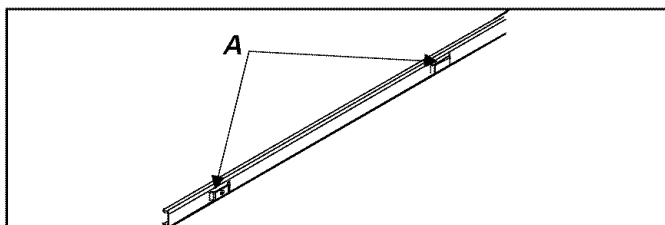
Para volver a colocar el cajón del congelador

IMPORTANTE: Podría ser necesario que dos personas realizaran el siguiente procedimiento.

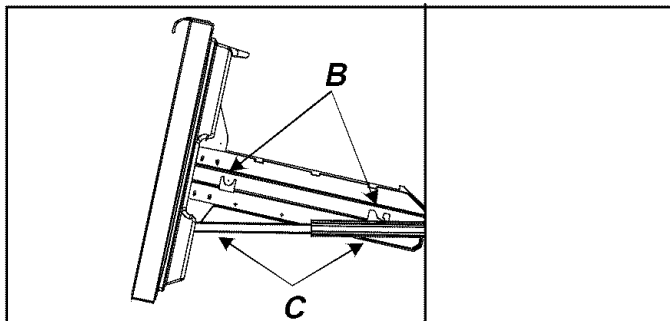
1. Extienda completamente los ensamblajes de los rieles interiores a cada lado del gabinete.



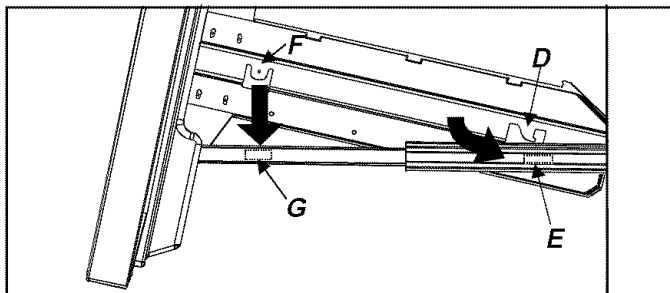
2. Localice las muescas (A) en ambas extensiones de los rieles interiores.



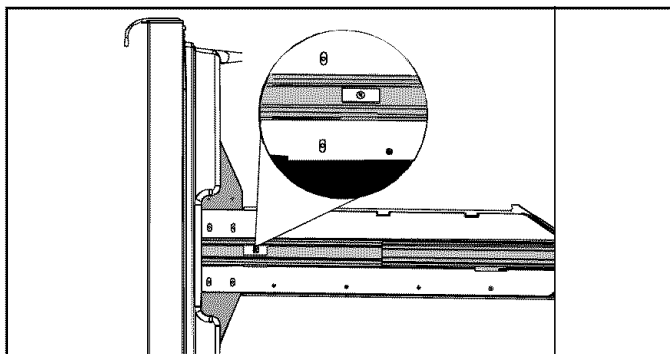
3. Alinee las lengüetas en el borde exterior de los ensamblajes de los rieles del cajón (B) con las muescas en ambas extensiones (C).



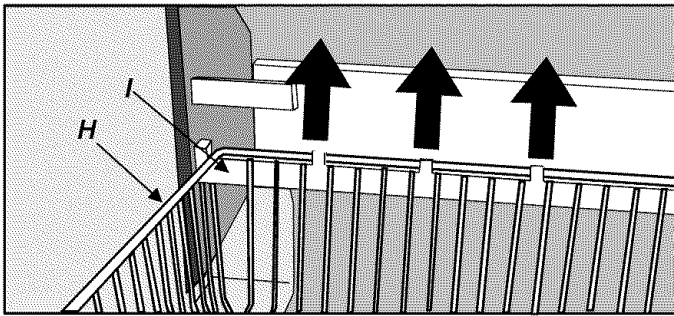
4. Inserte la lengüeta de gancho (D) en la muesca (E) a un ángulo de 45°. Inserte la lengüeta (F) en la muesca (G) bajando el extremo del asa del ensamblaje.



5. Coloque nuevamente los tornillos Phillips en ambas extensiones del riel.



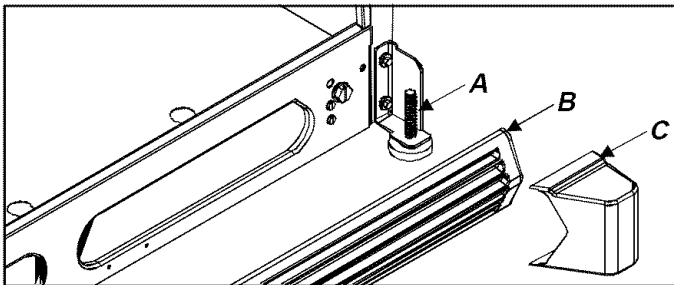
- Coloque nuevamente la canasta inferior (*H*) colocándola en las guías del riel (*I*).



- Deslice la canasta superior dentro del compartimento superior.

Instrucciones opcionales si existen problemas de espacio libre para transportarla

- Coloque nuevamente ambos soportes estabilizadores (*A*) con un destornillador hexagonal de $\frac{3}{8}$ ".
 - Coloque nuevamente la rejilla inferior (*B*) y las dos cubiertas de las patas estabilizadoras (*C*). Vea las marcas en la parte interior de la rejilla inferior para asegurar la colocación correcta.
- Coloque primero a presión la porción superior en su lugar. Oprima la parte inferior de la parrilla hasta que la parte inferior entre a presión en su lugar.



Conexión de la Línea de Suministro de Agua a la Máquina de Hielos (en algunos modelos)

⚠ PELIGRO

Desconecte la corriente eléctrica del refrigerador antes de conectar el suministro de agua para evitar descargas eléctricas que pueden causar lesiones personales graves o la muerte. Después de volver a colocar las puertas, conecte la corriente eléctrica.

⚠ PRECAUCIÓN

Acate los puntos siguientes para evitar daños materiales:

- Compruebe que la presión del agua en la válvula de agua esté entre 20 y 100 libras por pulgada cuadrada.
- Apriete la conexión y las tuercas del adaptador con unas pinzas y con una llave de tuercas. Apriete los accesorios y las tuercas del adaptador con una llave. No lo apriete de más.
- Revise si hay goteras de agua y arréguelas si es necesario antes de volver a colocar el refrigerador en su lugar. Después de 24 horas revise nuevamente si hay goteras.

IMPORTANTE

- Antes de conectar el suministro de agua, comuníquese con un plomero para que conecte la tubería de cobre a la plomería de la casa en conformidad con los códigos y reglamentos locales.
- ¡NO utilice válvulas de tipo de penetración o de sillín de $\frac{3}{16}$ " (9 mm)! Ambas reducen el flujo del agua, con el tiempo se obstruyen y pueden causar goteras si trata de repararlas. El tipo correcto de válvula de cierre requiere que se haga un orificio de $\frac{1}{4}$ " (6 mm) en la tubería del suministro de agua antes de conectar la válvula.
- No instale tubería de cobre en áreas donde la temperatura baje a más de 32°F (0°C).

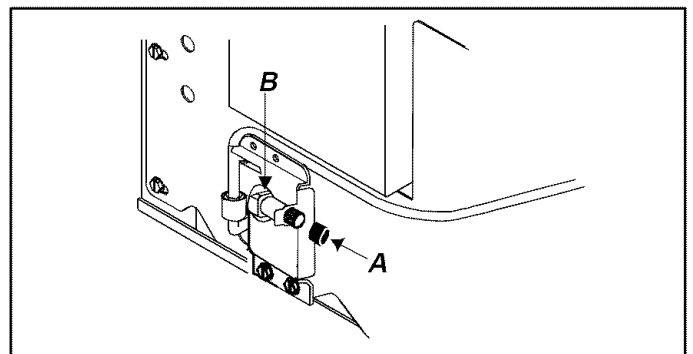
Materiales necesarios

Tubería de cobre flexible de $\frac{1}{4}$ " (6 mm) de D.E.
Llave con extremo abierto de $\frac{1}{2}$ "

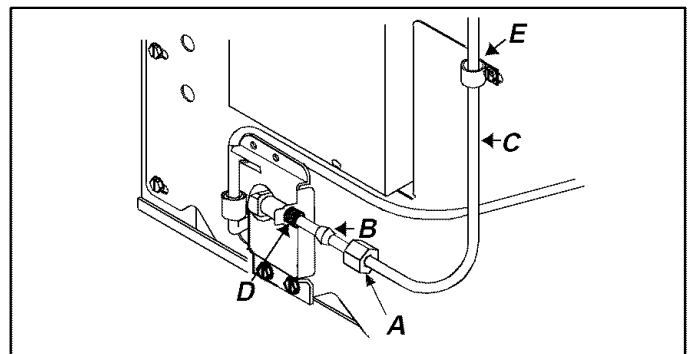
La longitud de la tubería de cobre debe alcanzar desde la conexión del suministro de agua hasta la lumbrera de entrada de la válvula de agua. Se necesitan 8 pies (2 m) adicionales de tubería para un lazo de servicio. el lazo de servicio permitirá que el refrigerador se pueda separar de la pared sin desconectar la tubería.

Procedimiento

- Quite la tapa de plástico (*A*) de la lumbrera de entrada de la válvula de agua (*B*).



- Coloque la tuerca de bronce (*A*) y el manguito aislador (*B*) en la tubería de cobre (*C*) (La tuerca de bronce y el manguito aislador se encuentran en el paquete de materiales impresos). Inserte la tubería de cobre en el puerto de entrada de la válvula de agua (*D*). Comience la conexión a mano y luego use una llave de extremo abierto de $\frac{1}{2}$ ". Asegúrese de que la conexión de cobre esté segura tirando suavemente de la tubería de cobre (*C*).
- Cree un anillo de servicio con mucho cuidado para evitar dobleces. Asegure la tubería de cobre al gabinete del refrigerador con una abrazadera "P" (*E*). Es importante asegurar el tubo de cobre al refrigerador para evitar goteras al empujar el refrigerador para volver colocarlo en el hueco.



- Abra el suministro de agua al refrigerador y revise las goteras. corrija las goteras de la conexión. Tenga cuidado de no apretar de más la conexión.

Nivelación del refrigerador

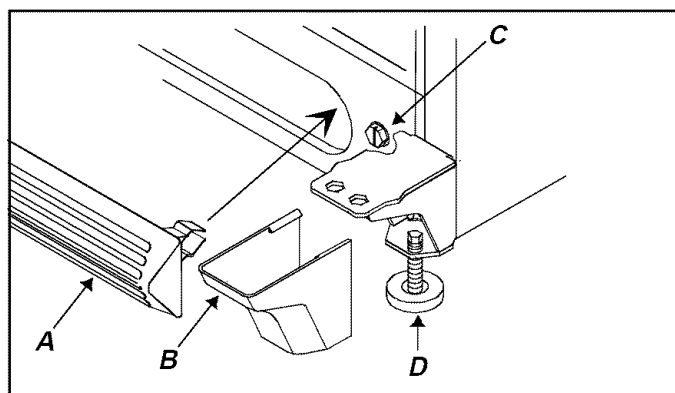
Los modelos con puerta articulada

PRECAUCIÓN

Para evitar daños materiales, proteja el piso vinílico suave o de otro tipo con cartones, alfombras u otros materiales protectores cuando mueva el refrigerador.

Si su refrigerador requiere que se conecte la máquina de hielo, continúe con la sección *Conexión para la línea de suministro de agua para la máquina de hielo* antes de nivelar el refrigerador.

1. Enchufe el cordón eléctrico.
2. Mueva el refrigerador a la ubicación final.
3. Nivele el refrigerador con un nivelador colocado encima de refrigerador.
 - Quite la parrilla inferior (**A**). Quite la cubierta de la bisagra inferior (**B**).
 - Gire el tornillo de ajuste (**C**) para subir o bajar el gabinete del refrigerador. La parte delantera del refrigerador debe estar $\frac{1}{4}$ " (6 mm), ó $\frac{1}{2}$ burbuja de nivel más alta que la parte posterior.
 - Asegure se que el gabinete del refrigerador esté nivelado de lado a lado ajustando los tornillos de ajuste (**C**) de rodillo derecho e izquierdo.
 - Gire la rosca estabilizadora (**D**) en el sentido de las manecillas de reloj hasta que esté firmemente apoyado contra el piso.
4. Vuelva a colocar la parrilla (**A**) y la cubierta de la bisagra inferiores (**B**). Busque la flecha pintada en la parte interior de la parrilla para asegurar la colocación apropiada.
 - **Primero coloque a presión la porción superior en su lugar.** Oprima la parte inferior de la parrilla hasta que la porción inferior entre a presión en su lugar.



5. Revise la *Lista de verificación* en el Manual del propietario con el consumidor.

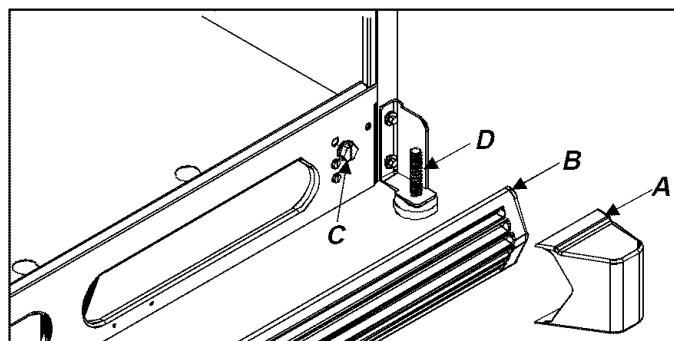
Los modelos de cajón deslizable del congelador

PRECAUCIÓN

Para evitar daños materiales, proteja el piso vinílico suave o de otro tipo con cartones, alfombras u otros materiales protectores cuando mueva el refrigerador.

Si su refrigerador requiere una conexión de suministro de agua para la máquina de hielo, proceda con la sección *Conexión de suministro de agua para la máquina de hielo* antes de nivelar su refrigerador.

1. Conecte el cordón eléctrico.
2. Mueva el refrigerador a su ubicación final.
3. Nivele el refrigerador usando un nivel colocado en la parte superior del refrigerador.
 - Quite la cubierta de la pata estabilizadora (**A**). Quite la rejilla inferior (**B**).
 - Gire el tornillo de ajuste de rodillo (**C**) para elevar o bajar el gabinete del refrigerador. El frente del refrigerador debe estar $\frac{1}{4}$ " (6 mm) o $\frac{1}{2}$ burbuja del nivel, más alto que la parte posterior del refrigerador.
 - Asegúrese de que el gabinete del refrigerador esté nivelado de lado a lado ajustando el tornillo de ajuste de rodillo (**C**).
 - Gire ambas patas estabilizadoras (**D**) en el sentido de las manecillas del reloj hasta que se apoyen firmemente contra el piso.
 - Gire los tornillos de ajuste de rodillo 2 ó 3 veces en sentido contrario al de las manecillas del reloj, de manera que todo el peso de la unidad descansa sobre las patas estabilizadoras.
4. Coloque nuevamente la rejilla inferior (**A**) y las dos cubiertas de las patas estabilizadoras (**B**). Vea las marcas adentro de la rejilla inferior para asegurar la colocación correcta.
 - **Coloque primero a presión la parte superior.** Oprima la parte inferior de la rejilla inferior hasta que entre a presión en su lugar.



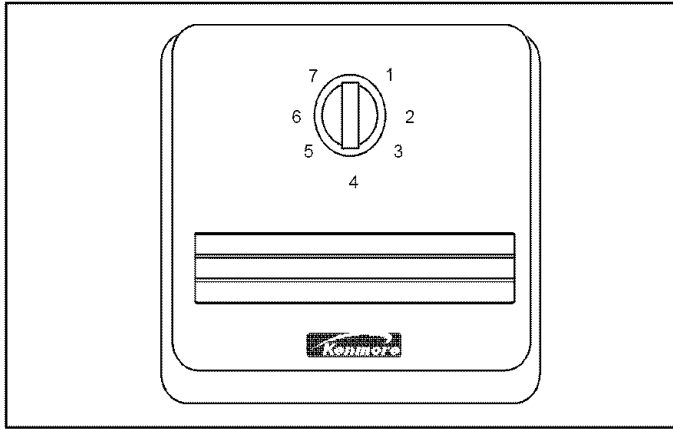
5. Revise la *Lista de verificación* en el Manual del propietario con el consumidor.

Controles

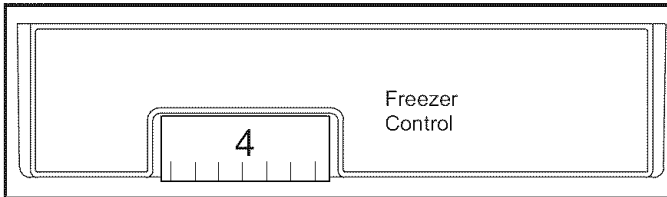
Este refrigerador funciona con mayor eficacia en temperaturas domésticas normales, entre 55° y 110°F (13° y 43°C).

Controles del refrigerador y del congelador

El control del refrigerador está localizado en la parte superior de la pared posterior de la sección del refrigerador.



El control del congelador está localizado en la parte delantera izquierda del techo de la sección del congelador.



Ajuste de los controles

Cuando el control del congelador está colocado en la posición desactivada (*OFF*), ni la sección del refrigerador ni la del congelador se enfriarán. Inicialmente, coloque ambos controles en 4. Espere 24 horas para que las secciones del refrigerador y del congelador establezcan la temperatura. Después de 24 horas, ajuste los controles, un solo número a la vez, según se desee. El 1 es el menos frío y el 7 el más frío.

Ajuste con precisión los controles utilizando un termómetro común que abarque temperaturas entre -5° y 50° F (-21° y 10°C).

Coloque el termómetro ajustadamente entre paquetes en la sección del congelador y espere de 5 a 8 horas. Si la temperatura del congelador no se encuentra entre 0° y 2° F (-17° y -16° C), ajuste el control, 1 solo número a la vez. Revise nuevamente después de 5 a 8 horas.

Coloque el termómetro en un vaso de agua en medio de la sección del refrigerador y espere 5 a 8 horas. Si la temperatura del refrigerador no se encuentra entre 38° y 40° F (3° y 4° C), ajuste el control, 1 solo número a la vez. Revise nuevamente después de 5 a 8 horas.

Características del refrigerador

Repisas del refrigerador

Las repisas se ajustan para satisfacer las necesidades individuales de almacenamiento. Algunos modelos vienen con repisas que contienen los derrames menores y que se deslizan hacia afuera. Las repisas que contienen los derrames menores facilitan la limpieza.



PRECAUCIÓN

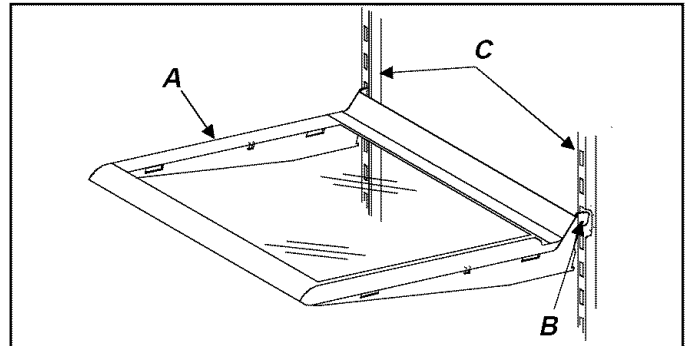
Asegúrese que la repisa esté bien instalada antes de volver a colocar artículos sobre ella para evitar daños materiales.



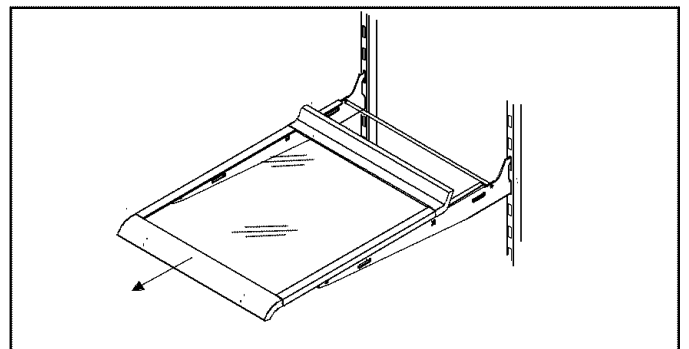
PRECAUCIÓN

Maneje con cuidado las repisas de vidrio templado para evitar lesiones personales o daños materiales. Las repisas se pueden romper súbitamente si tienen fracturas, rayaduras o se exponen a cambios repentinos de temperatura.

- Quite las repisas (**A**) levantando la parte delantera y liberando los ganchos (**B**) de la guía metálica (**C**), después jalándolas hacia afuera.
- Vuelva a colocar las repisas insertando los ganchos (**B**) en la guía metálica (**C**) y bajando la parte delantera.



Las repisas deslizables se pueden deslizar hacia adelante para tener acceso fácil a los artículos de la parte posterior.



Cajón ajustable para embutidos (en algunos modelos)

Para limpiar o volver a colocar el cajón:

- Consulte las instrucciones tituladas Repisas del refrigerador (parrillas a prueba de derrames) para ver la remoción y la colocación de las parrillas.
- Quite el cajón y el recubrimiento aislante levantándolo y jalándolo hacia adelante.
- Vuelva a colocar el cajón deslizándolo en su lugar.

Cajones para verduras (en algunos modelos)

Los cajones para verduras conservan frescas las verduras por más tiempo. No lave las verduras antes de colocarlas en los cajones. El exceso de humedad podría causar que se echen a perder prematuramente. No forre los cajones para verduras con toallas de papel. Las toallas de papel retienen la humedad.

El control del cajones está ubicado debajo del adorno de la repisa delantera. El control ajusta la humedad en los cajones. Deslice el control hacia *high* (alta) para productos que tienen hojas, como la lechuga, espinacas o repollo. Deslice el control *low* (baja) para productos que tienen cáscara, como la coliflor, los elotes o los jitomates.

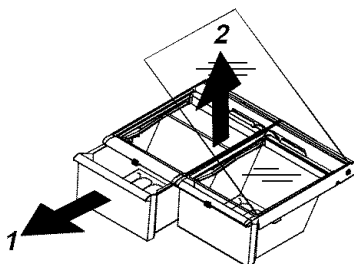
Para quitar o limpiar el ensamblaje del cajón para vegetales frescos (Crisper) en las unidades de 33" de ancho:

1. Quite el cajón para frutas y verduras del lado del asa de la unidad. Quite los cajones para frutas y verduras.

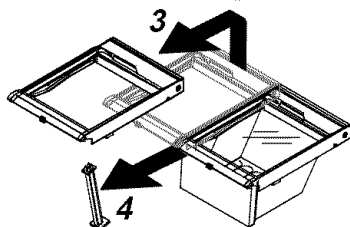
PRECAUCIÓN

Maneje con cuidado las repisas de vidrio templado para evitar lesiones personales o daños a la propiedad. Las repisas se pueden romper súbitamente si sufren raspaduras, golpes o se exponen a cambios repentinos de temperatura.

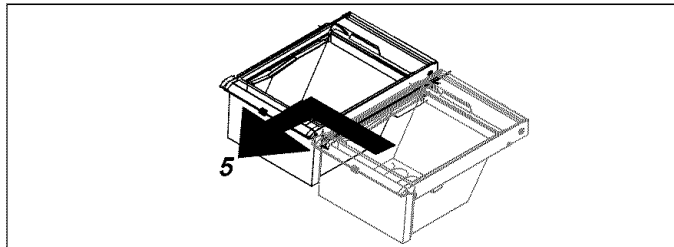
2. Quite la parte superior de vidrio del cajón para frutas y verduras empujando suavemente por debajo. Inclíne un extremo y sáquela.



3. Levante la parte delantera del bastidor de la parrilla para frutas y verduras y sáquela.
4. Levante la parte delantera del cajón para frutas y verduras restante y quite el poste de apoyo del centro del piso del refrigerador.

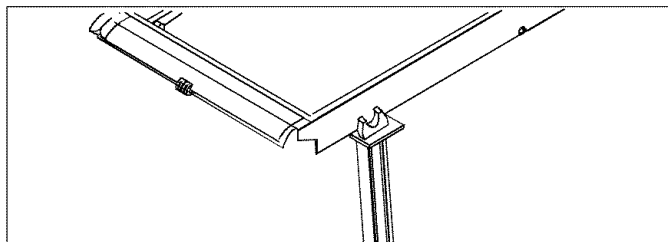


5. Para evitar interferencia con la puerta, mueva el cajón para frutas y verduras restante a la pared opuesta y quítelo.



6. Vuelva a colocar los cajones para frutas y verduras y las parrillas realizando los pasos 2 al 5 en orden inverso.

Nota: Asegúrese de enganchar el bastidor de la parrilla sobre la muesca encima del poste de apoyo cuando coloque de nuevo los bastidores de la parrilla.



7. Deslice el vidrio del cajón para frutas y verduras en su lugar.

Cajon para carne

El cajón de carnes es un cajón ajustable que ofrece espacio para almacenar debajo de las repisas a prueba de derrames. El cajon puede cambiarse lado izquierdo al lado derecho del compartimiento del refrigerador para satisfacer las necesidades específicas de almacenamiento.

1. Quite la repisa levantando desde la parte delantera y liberando los ganchos de la guía metálica y luego jale hacia afuera.
2. Vuelva a colocar la repisa insertando los ganchos en el riel metálico y bajando la parte delantera de la repisa. Coloque el cajón de nuevo deslizando hacia adentro.

Sistema de cajones para frutas y verduras *Crisper* y para carnes (en algunos modelos)

La combinación del diseño del cajón para frutas y verduras y el de carne puede mantener los alimentos frescos por más tiempo mediante la creación de ambientes ajustables para los vegetales, las carnes y otros alimentos.

El cajón del lado izquierdo (**A**) puede servir como cajón para frutas y verduras o para carnes.

Para utilizarlo como cajón para frutas y verduras:

1. Ajuste el control de temperatura (**b**) en *COLD* (frío).
2. Ajuste el control de humedad en (**a**) al nivel adecuado según el contenido.
3. Deslice el control a *HIGH* (alta) para verduras con hojas como la lechuga, espinacas o repollo.
4. Deslice el control a *LOW* (baja) para verduras con cáscara como la coliflor, elotes y jitomates.

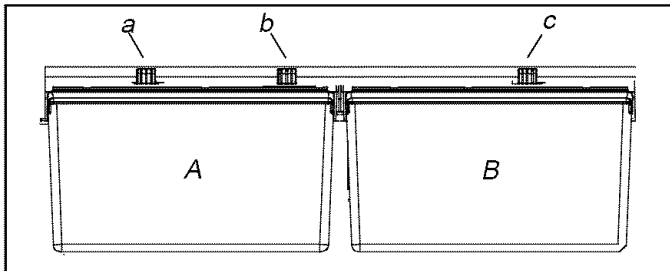
Para utilizarlo como cajón de temperatura controlada para carnes:

1. Ajuste el control de humedad (a) en **HIGH** (alta).
2. Ajuste el control de temperatura (b) en **COLD** (frío) para la temperatura normal del refrigerador y en **COLDER** (más frío) para una temperatura más fría. Los ajustes del control de temperatura (b) permiten un mayor o menor flujo de aire alrededor de la bandeja. En el ajuste **COLDER** (más frío) es posible que se formen cristales de hielo en el cajón o en los alimentos.

El cajón en el lado derecho (B) puede usarse para vegetales. El cajón de frutas y verduras tiene un control ajustable de humedad (c).

Para fijar los controles de humedad del cajón para frutas y verduras (B):

1. Deslice el control a **HIGH** (alta) para verduras con hojas como la lechuga, espinacas o repollo.
2. Deslice el control a **LOW** (baja) para verduras con cáscara como la coliflor, elotes y jitomates.



PRECAUCIÓN

Para evitar dañar el aparato, por favor siga con mucho cuidado las instrucciones de retiro e instalación. Si no se siguen las instrucciones correctamente o en el orden indicado, el aparato no funcionará correctamente o puede ser que se quiebren piezas del mismo.

PRECAUCIÓN

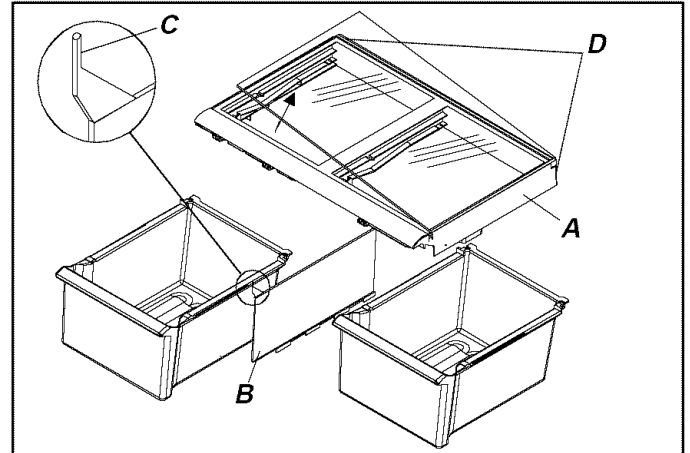
Maneje con cuidado las repisas de vidrio templado para evitar lesiones personales o daños materiales. Las repisas se pueden romper súbitamente si tienen fracturas, rayaduras o se exponen a cambios bruscos de temperatura.

Quite el sistema de cajones realizando los pasos siguientes:

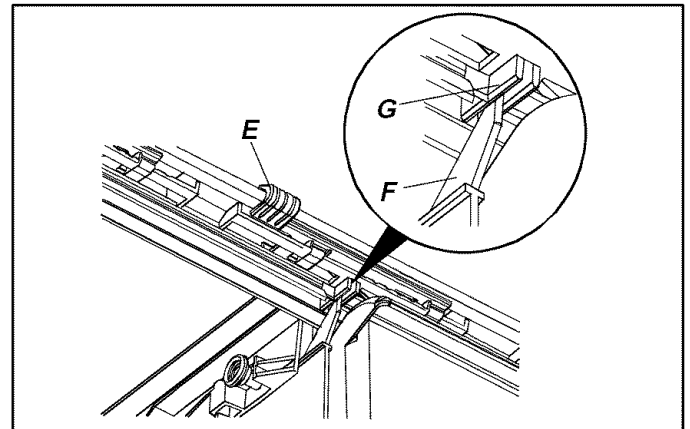
1. Abra el cajón izquierdo.
2. Quite la cubierta de vidrio del cajón para frutas y verduras empujando suavemente hacia arriba desde la parte de abajo. Mueva hacia arriba el extremo y jale hacia afuera.
3. Ajuste el control de temperatura (E) del marco de los cajones en **COLD** (frío). Levante el frente del marco del cajón de frutas y verduras (A) y quite el separador de plástico (B). **Cerciórese de que el pasador del separador (C) esté completamente fuera del conjunto del marco antes de retirarlo de la unidad.**
4. Deslice los cajones de frutas y verduras hacia afuera.
5. Quite el marco del cajón de frutas y verduras (A) levantando los ganchos (D) del riel metálico en la pared posterior. Jale hacia afuera y sáquelo de la unidad.

Vuelva a colocar el sistema de cajones realizando los pasos siguientes:

1. Coloque el control de temperatura (E) en el marco del cajón en el ajuste **COLD** (FRÍO).
2. Enganche el marco del cajón de frutas y verduras (A) en el riel metálico en la pared posterior y baje el marco en las ranuras del gabinete.
3. Deslice los cajones en su lugar.
4. Deslice el separador de plástico (B) en los rieles en el fondo del gabinete.



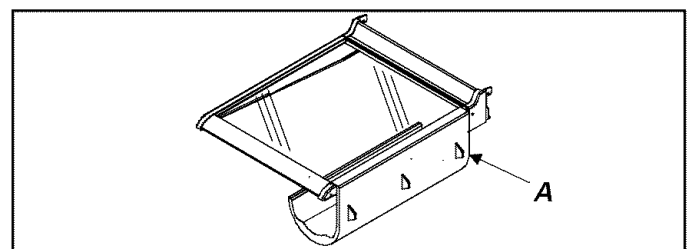
5. Baje el marco de manera que el pasador separador (F) quede en la hendidura (G) debajo de la moldura de plástico.
6. Coloque la cubierta de vidrio del cajón de frutas y verduras en el marco.



Compartimiento para botellas (en algunos modelos)

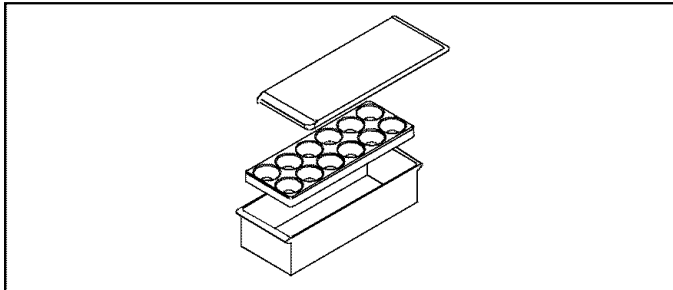
El compartimiento para botellas (A) proporciona un conveniente lugar para guardar una botella de cuello largo, huevos, etc.

- Cuelgue este compartimiento enganchándolo por el lado de la repisa.



Compartimiento cubierto para almacenamiento (en algunos modelos)

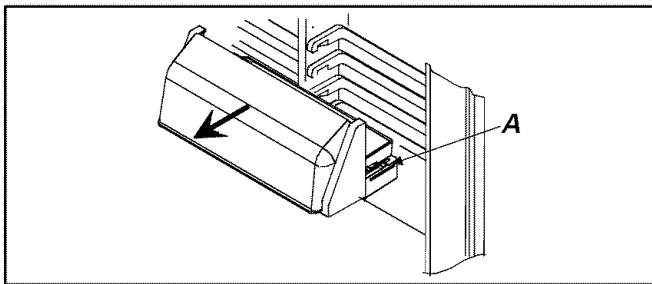
El compartimiento de almacenamiento tiene una tapa y una bandeja desmontable para huevos. Cuando se saca la bandeja, se pueden acomodar artículos tales como cajas regulares de huevos, hielo, etc.



Compartimientos para productos lácteos

Los compartimientos para productos lácteos ofrecen un conveniente lugar para guardar mantequilla, queso, etc.

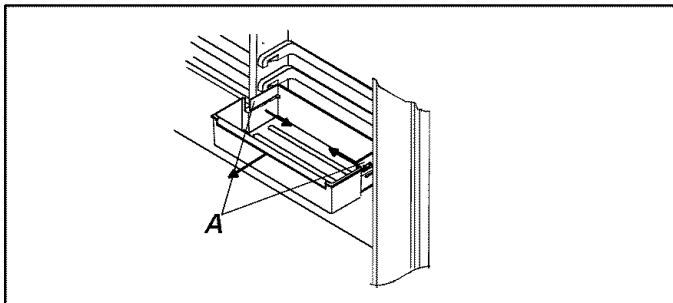
- Quite los compartimientos para productos lácteos levantando la puerta, empujando las lengüetas (A) de la repisa en ambos lados y jalando hacia afuera.
- Vuelva a colocar los compartimientos para productos lácteos deslizándolos hasta que las pestañas encajen en su sitio y luego baje la puerta.



Compartimientos de la puerta

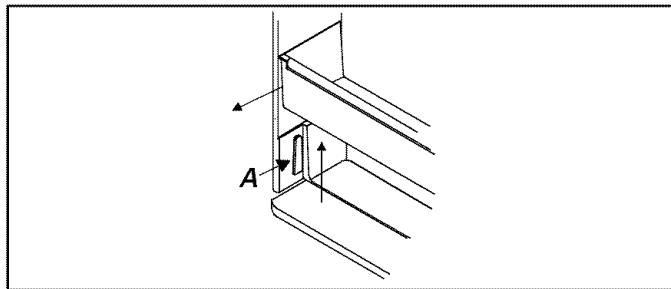
Los compartimientos de la puerta se ajustan para satisfacer las necesidades individuales de almacenamiento.

- Quite los compartimientos de la puerta empujando las lengüetas (A) de los extremos de la repisa hacia el centro y jalando hacia afuera.
- Vuelva a poner los compartimientos de la puerta deslizándolos hasta que las lengüetas encajen en su sitio.



Repisas de la puerta

- Quite las repisas de la puerta levantando los extremos y jalando hacia afuera.
- Vuelva a colocar las repisas sobre las guías (A) y deslice hacia abajo.



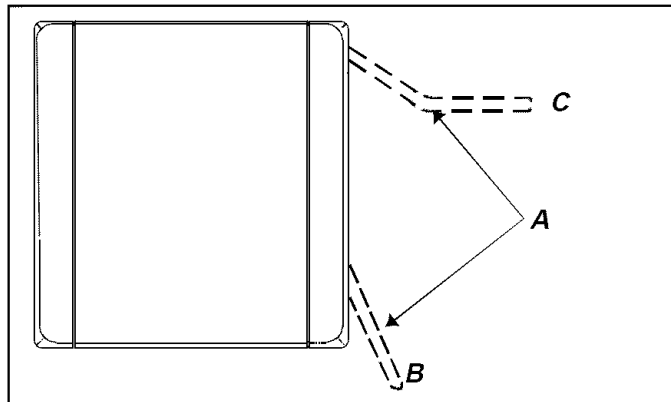
Características del congelador

Sistema sin escarcha (Frost-Free)

Las secciones del refrigerador y del congelador se mantienen completamente sin escarcha. La descongelación es automática bajo condiciones normales. Nunca se tiene que descongelar la sección del refrigerador ni la del congelador.

Máquina de hielo automática (en algunos modelos)

- Verifique que los recipientes para hielo (A) estén en su sitio y que el brazo (A) de la máquina de hielo esté hacia abajo (B).



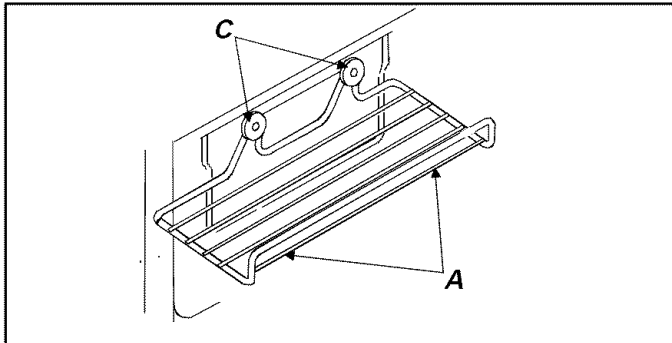
- Después que la sección del congelador alcanza la temperatura normal, la máquina de hielo se llena de agua y comienza a funcionar. Espere de 24 a 48 horas después de instalarla para que los hielos estén listos. La máquina de hielo produce de 7 a 9 raciones de hielo durante 24 horas bajo condiciones ideales.
- Después de que se forma el hielo, la máquina deja caer los hielos adentro del recipiente de hielo. Mientras el hielo se está haciendo, el brazo de la máquina se levanta y se baja. Cuando el recipiente de hielo se llena, el brazo de la máquina la desconecta.

Nota: Deseche las tres primeras raciones de hielo para que no consumir ninguna impureza que quede en la línea de agua al instalarla.

- Si desea detener la producción automática de hielo levante el brazo (C) de la máquina. Se escucha claramente un chasquido cuando se coloca en la posición adecuada. El brazo de la máquina se quedará en esta posición hasta que se empuje hacia abajo.

Rejilla para servicio de hielo (en algunos modelos)

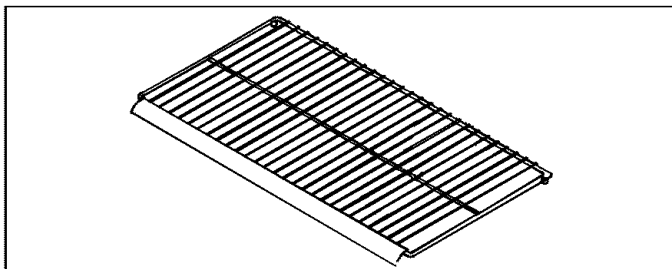
Instale la rejilla para servicio de hielo colocando la parrilla de servicio de hielo (A) en las arandelas (C) y deslizándola hacia abajo.



Repisa de alambre

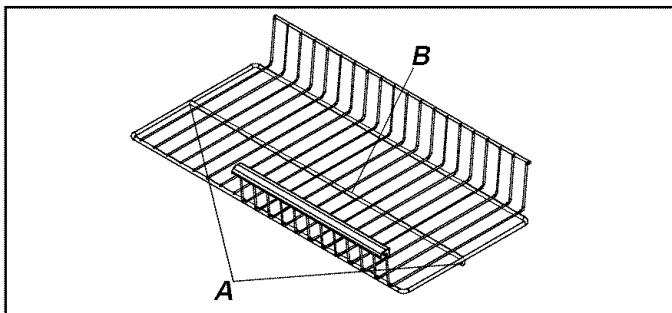
Algunos modelos tienen una repisa fija de alambre.

- Quite la repisa de alambre jalándola hacia afuera. Se puede necesitar una sacudida fuerte.
- Vuelva a colocar la repisa de alambre deslizándola hasta que su parte posterior quede en su sitio.



Algunos modelos tienen una repisa deslizante que sale para facilitar el acceso a los artículos de la parte posterior.

- Para quitar la repisa deslizante tire de ella hacia el frente hasta que la punta de bola (A) debajo del riel central (B) se acomode en el canal de la moldura.
- Sostenga la repisa por el riel central (B), jale hacia arriba y retírela.
- Deslícelo hacia adentro hasta que la punta de bola (A) caiga en el canal de la moldura.



Separador de repisa vertical (en algunos modelos)

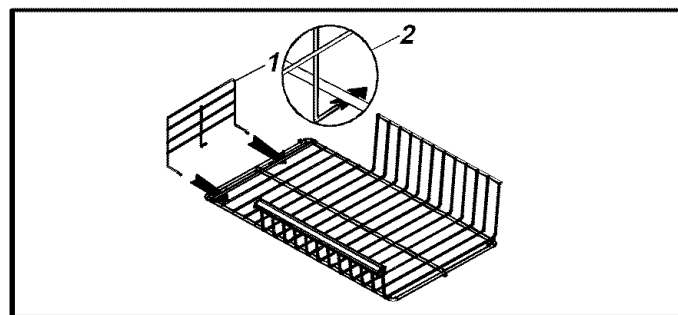
Algunas repisas deslizables tienen un separador ajustable vertical.

Para instalar el separador:

1. Deslice los dientes del separador de repisas debajo del emparrillado que desee levemente fuera del centro del riel.
2. Oprima la parte superior del separador hacia abajo y deslice el conjunto del gancho debajo del riel del centro.

Para quitar el separador:

- Oprima la parte superior del separador hacia abajo y deslice el gancho hacia afuera de la parte inferior del riel del centro.
- Tire del separador hacia atrás para soltar los dientes del emparrillado.



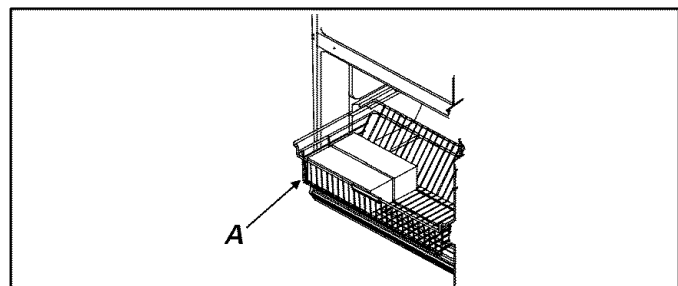
PRECAUCIÓN

Verifique que la repisa esté segura antes de colocar artículos en ella para evitar daños materiales.

Canasta de alambre

La canasta de alambre (A) se desliza hacia afuera para tener acceso fácil a los artículos que están en la parte posterior.

- Quite la canasta de alambre levantándola y jalándola hacia afuera.
- Vuelva a colocar la canasta de alambre deslizándola hacia adentro.



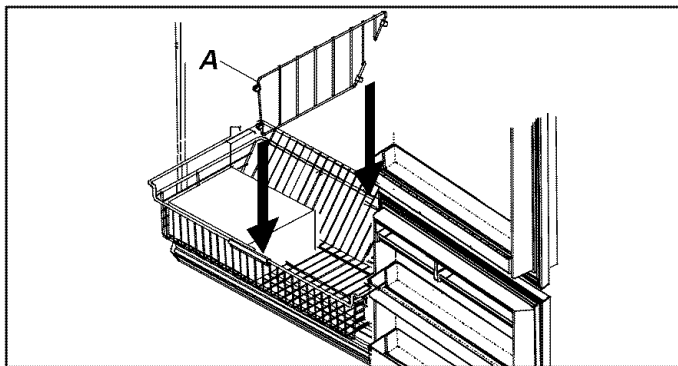
Separador de canasta vertical (en algunos modelos)

Instale el separador de canasta vertical (**A**) siguiendo los pasos que aparecen a continuación:

1. Deslice los picos del separador de repisas debajo de la parrilla deseada, ligeramente fuera del centro del carril.
2. Presione la parte superior del separador hacia abajo hasta que el separador coincida con la parte inferior de la canasta.

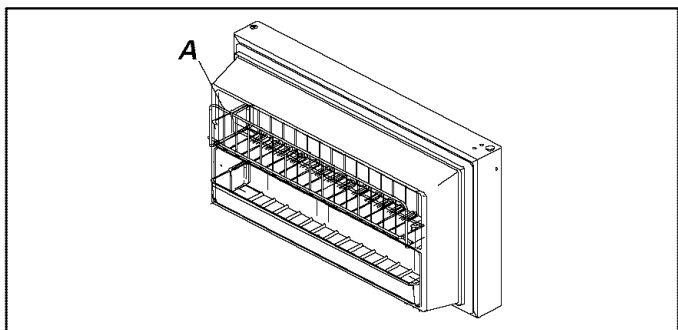
Para quitar el separador:

1. Sujete la parte superior del separador y jale hacia arriba en forma recta.



Compartimiento inclinado (en algunos modelos)

El compartimiento inclinado (**A**) ofrece un conveniente espacio para almacenar en la puerta del congelador alimentos congelados y se inclina para proporcionar un acceso fácil a esos artículos.



Canastas deslizables de cajón (en algunos modelos)

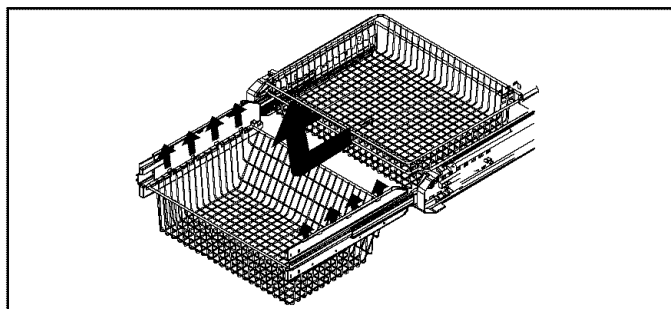
(El ensamblaje de la puerta del cajón se eliminó de la ilustración para ofrecer claridad visual.)

Las canastas de los cajones deslizables están disponibles solamente en los modelos con cajones deslizables del congelador:

- Quite la canasta extrayéndola y levántadola completamente.
- Coloque de nuevo la canasta deslizándola dentro del compartimento superior del congelador.

Para quitar y reemplazar la canasta inferior:

- Quite la canasta levantádola de las guías de los rieles.
- Coloque de nuevo la canasta colocándola dentro de las guías de los rieles.

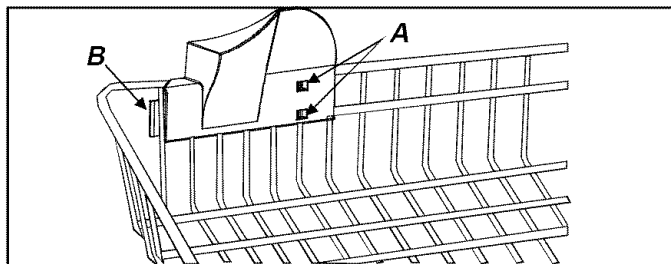


Protector de hielo (en algunos modelos)

El protector de hielo está montado en la parte posterior del cajón deslizable para impedir que el hielo caiga detrás de la canasta.

Para quitar y volver a colocar el protector de hielo:

- Deslice el protector de hielo hacia la derecha para liberar los ganchos (**A**) de los barrotes verticales de alambre.
- Para volver a colocarlos, deslice la lengüeta (**B**) en su lugar según se muestra.



Cuidado y limpieza



ADVERTENCIA

Desconecte el suministro eléctrico al refrigerador antes de limpiarlo para evitar descargas eléctricas que podrían causar lesiones personales graves o la muerte. Después de limpiarlo, vuelva a conectar el suministro eléctrico.



PRECAUCIÓN

Lea y siga todas las instrucciones de limpieza del fabricante para evitar lesiones personales o daños materiales.

Generalidades

Vea la sección *Limpieza del acero inoxidable por las puertas del acero inoxidable*.

1. Lave las superficies con cuatro cucharadas de bicarbonato de sodio disuelto en un litro de agua tibia utilizando un trapo suave y limpio.
2. Enjuague las superficies con agua tibia. Seque las superficies con un trapo suave y limpio.
 - No utilice los siguientes productos:
 - limpiadores abrasivos o ásperos tales como amoníaco, cloro, etc.
 - detergentes o disolventes concentrados
 - estropajos metálicosEstos productos pueden rayar, rajar y decolorar las superficies.
 - No lave las repisas, recipientes, etc. en un lavaplatos automático.

Limpieza del acero inoxidable

Los daños al acabado del acero inoxidable debidos al uso incorrecto de los productos de limpieza, o al uso de productos de limpieza no recomendados, no están cubiertos por la garantía.

1. Lave las superficies con agua jabonosa tibia y un paño o una esponja suave y limpia.
2. Enjuague las superficies con agua tibia. Seque las superficies con un paño suave y limpio.
 - No use los siguientes limpiadores abrasivos:
 - limpiadores abrasivos o ácidos (amoníaco, cloro, blanqueador, productos con base de vinagre, etc.)
 - limpiadores con base de cítricos
 - almohadillas de estropajo (metálicas, con textura de plástico, etc.)Estos artículos pueden rallar, decolorar o manchar permanentemente las superficies.
3. A continuación, enjuague inmediatamente y séquelo con un paño suave y limpio. Esto evitará que se manche con gotas de agua el acabado de acero inoxidable.

Adhesivos

1. Elimine el residuo de goma frotando un poco de pasta dental sobre el adhesivo hasta aflojarlo.
2. Enjuague la superficie con agua tibia. Seque la superficie con un trapo limpio y suave.

Empaques de la puerta

1. Limpie los empaques de la puerta cada tres meses de acuerdo con las instrucciones de limpieza de la sección "Generalidades".

Serpentín del condensador

Limpie el serpentín del condensador cada tres meses para asegurar un funcionamiento óptimo del refrigerador. La acumulación de polvo y pelusas puede causar lo siguiente:

- menor rendimiento de enfriamiento
 - aumento del consumo de energía
 - falla prematura de las piezas
1. Quite la rejilla inferior sosteniéndola de los extremos y jalándola hacia adelante.
 2. Limpie la superficie delantera del serpentín con la boquilla de manguera de una aspiradora.
 3. Vuelva a colocar la rejilla inferior insertando y encajando las presillas en los agujeros del gabinete.



PRECAUCIÓN

Para evitar daños a la propiedad, proteja los pisos de vinilo delicado o de otra clase con cartones, tapetes u otros materiales de protección.

4. Eleve la rosca estabilizadora (en algunos modelos) girándola en sentido contrario al de las manecillas del reloj.

Repisas de vidrio



PRECAUCIÓN

Maneje con cuidado las repisas de vidrio templado para evitar lesiones personales o daños a la propiedad. Las repisas se pueden romper súbitamente si sufren raspaduras, golpes o se exponen a cambios repentinos de temperatura.

Saque la repisa levantándola del frente, liberando los ganchos de los rieles metálicos, luego jalando la repisa hacia adelante. Colóquela sobre una toalla y permita que la repisa se adapte a la temperatura ambiental durante una hora antes de limpiarla.

1. Diluya un detergente suave y aplíquelo en las hendiduras usando un cepillo con cerdas de plástico. Déjelo reposar durante cinco minutos.
2. Rocíe agua tibia en las hendiduras usando un aditamento para rociar agua desde el grifo.
3. Seque bien la repisa y vuelva a colocarla insertando los ganchos en los rieles metálicos y bajando la parte delantera.

Eliminación de olores

1. Saque todos los alimentos y desconecte la corriente eléctrica al refrigerador.
2. Lave todas las superficies interiores incluyendo el techo, el piso y las paredes, de acuerdo con las instrucciones de limpieza de la sección "Generalidades". Preste atención especial a las ewquinas, hendiduras y ranuras. Incluya todos los accesorios, cajones, repisas y empaques.

3. Conecte la corriente eléctrica al refrigerador y vuelva a colocar los alimentos en el refrigerador. Lave y seque todas las botellas, frascos y recipientes. Guarde todos los alimentos en recipientes sellados herméticamente para evitar malos olores adicionales. Después de 24 horas revise si se ha eliminado el olor.

Si no se ha eliminado el olor, siga los siguientes pasos.

4. Complete los pasos del 1 al 2.
5. Coloque los cajones para verduras en la repisa superior de la sección Alimentos frescos. Llene las secciones Alimentos frescos y Congelador, incluyendo las puertas, con hojas estrujadas de periódico blanco y negro.
6. Coloque pedazos de carbón en diferentes lugares del periódico.
7. Cierre las puertas y deje reposar de 24 a 48 horas.
8. Saque los pedazos de carbón y los periódicos.
9. Complete los pasos 2 y 3.
10. Coloque pedazos de carbón al azar sobre el periódico.
11. Cierre las puertas y espere de 24 a 48 horas.
12. Retire el carbón y periódico.
13. Realice los pasos 2 y 3.

Si el mal olor persiste, llame al Centro de Servicio de Sears.

Reemplazo de focos

ADVERTENCIA

Desconecte la corriente eléctrica al refrigerador antes de cambiar los focos para evitar descargas eléctricas que podrían causar lesiones graves o la muerte. Después de cambiar los focos, vuelva a conectar la corriente.

PRECAUCIÓN

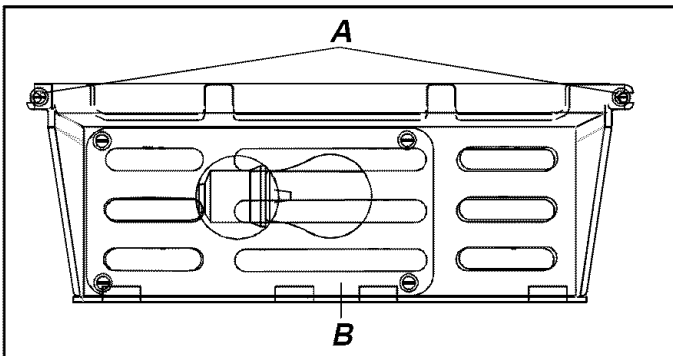
Lleve a cabo lo siguiente para evitar lesiones Personales o daños a la propiedad:

- Permita que se enfríe el foco.

Use guantes para cambiar el foco.

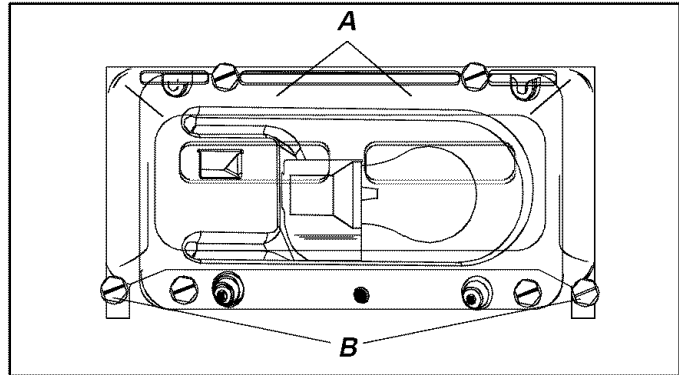
El Foco del Refrigerador

- Quite la tapa (B) del foco extrayendo los tornillos (A) hexagonales de ¼ de pulgada (6mm). Reemplácelo con un foco para aparatos electrodomésticos de 60 vatios o menor.
- Vuelva a colocar la tapa (B) del foco atornillando los tornillos (A) hexagonales de ¼ de pulgada (6mm).



El Foco del Congelador

- Quite la tapa del foco (A) extrayendo los tornillos (B) hexagonales de ¼ de pulgada (6mm). Reemplácelo con un foco para aparatos electrodomésticos de 60 vatios o menor.
- Vuelva a colocar la tapa del foco atornillando los tornillos hexagonales de ¼ de pulgada (6mm).



Sugerencias para las vacaciones

Siga los siguientes pasos en caso de tomarse vacaciones breves.

1. Saque los alimentos que se puedan echar a perder. **La garantía no cubre las pérdidas de alimentos.** Revise su certificado de garantía para ver si cubre algo en específico.
2. Si tiene instalada una máquina para hacer hielo, ponga el brazo de la máquina en posición *desactivada (off)*.

Siga los siguientes pasos en caso de tomarse vacaciones largas.

1. Vacíe las secciones Alimentos frescos y congelador.
2. Desenchufe el refrigerador.
3. Limpie el interior del refrigerador y los empaques de las puertas de acuerdo con las instrucciones de limpieza de la sección «Generalidades» en la sección «Cuidado y limpieza».
4. Deje las puertas abiertas para que pueda circular el aire en el interior.
5. Si tiene instalada una máquina para hacer hielo, cierre el suministro de agua al refrigerador y ponga el brazo de la máquina en posición *desactivada (off)*.

Sugerencias para conservar energía

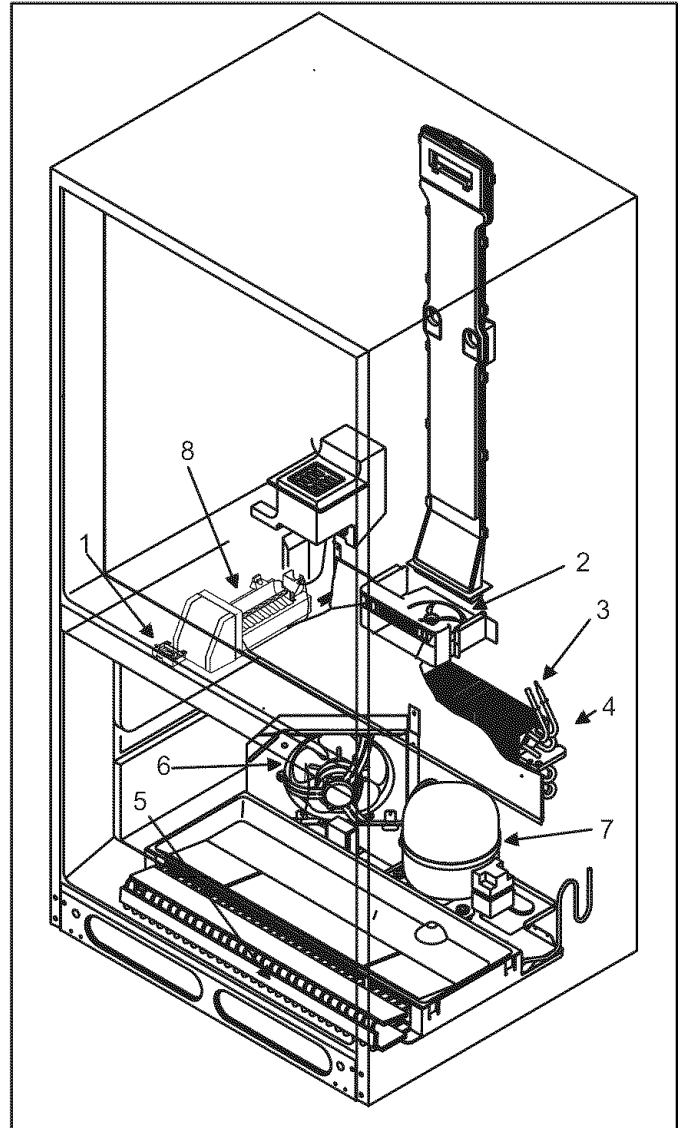
- Manténgalo funcionando a temperaturas normales entre 55° y 110°F (13° y 43°C) alejado de las fuentes de calor y de la luz directa del sol.
- No ajuste los controles del Alimentos frescos, congelador ni del Chiller FreshÖ a una temperatura más fría que lo que sea necesario.
- Mantenga llena la sección congelador.
- Mantenga los empaques de la puerta limpios y flexibles. Reemplace los empaques si están gastados.
- Mantenga limpios los serpentines del congelador.
- Gire el control de humedad exterior a la posición ON (encendido) cuando sea necesario.

Sonidos normales de funcionamiento

Es posible que este refrigerador nuevo esté reemplazando a uno de diferente diseño, menos eficiente o más pequeño. Los refrigeradores actuales tienen características nuevas y un mejor rendimiento de energía. Como resultado de esto, ciertos sonidos pueden parecer poco comunes. Estos sonidos son normales y pronto le serán familiares. Estos sonidos indican también que el refrigerador está funcionando y rindiendo según su diseño.

1. **Control del congelador.** Hace un clic al arrancar o detenerse el compresor.
2. **Ventilador del congelador.** El aire se acelera y zumba.
3. **Sistema sellado** (evaporador e intercambiador de calor). El flujo del refrigerante gorgojea, cruje o suena como agua hirviendo.
4. **Calentador de descarchado.** Hace chirridos, silba o cruje.
5. **Reloj automático de descarchado.** Suena como un reloj eléctrico cuando comienza y termina del ciclo de descarchado.
6. **Ventilador del condensador.** El aire se acelera y zumba.
7. **Compresor.** Tiene un sonido de alta frecuencia de tarareo o pulsante, y se enciende y apaga en ciclos.
8. **Cubos de hielo.** De la máquina para hacer hielo (en algunos modelos) caen al recipiente.
9. **Conexión de la válvula de agua de la máquina para hacer hielo** (en algunos modelos). Zumba cuando la máquina para hacer hielo se llena con agua. Esto ocurre independientemente de que el refrigerador esté o no esté conectado al suministro de agua. Si no está conectado, anule el ruido colocando el brazo de la máquina para hacer hielo en la posición desactivada (*off*). La conexión de la válvula de agua está ubicada atrás del ventilador del condensador en la parte posterior del refrigerador.

Nota: El aislamiento de espuma tiene muy buen rendimiento de energía y excelente capacidad aislante. Sin embargo, no absorbe el ruido tanto como el aislamiento de fibra de vidrio que se usaba anteriormente.



Antes de llamar para solicitar servicio

Problema	Solución
El refrigerador no funciona.	<ul style="list-style-type: none"> • Compruebe que el control del congelador esté activado. • Compruebe que el refrigerador esté enchufado. Si no lo está, enchufe firme-mente el cordón en una tomacorriente del voltaje apropiado. • Revise el fusible o cortacircuitos. Enchufe otro artefacto en el mismo tomacorriente de pared y si no funciona, reemplace el fusible o reajuste el cortacircuitos. • Si el control del congelador está activado, si funcionan las luces pero los dos ventiladores y el compresor no funcionan, el refrigerador podría estar en el ciclo de descarchado. Espere 40 minutos para ver si vuelve a arrancar.
Aún no funciona el refrigerador.	<ul style="list-style-type: none"> • Desenchufe el refrigerador. Cambie los alimentos a otro refrigerador o ponga hielo seco en la sección del congelador para conservar los alimentos. Llame para solicitar servicio.
La temperatura de los alimentos parece estar demasiado tibia.	<ul style="list-style-type: none"> • Vea las secciones anteriores. • Deje que transcurra suficiente tiempo para que los alimentos tibios recientemente guardados alcancen la temperatura del refrigerador o del congelador. Al añadir alimentos se calienta el refrigerador y puede tomarle algunas horas volver a la temperatura normal. • Revise los empaques para ver si sellan correctamente. Los empaques deben sellar ajustadamente al gabinete. • Limpie los serpentines del condensador. Vea las instrucciones para el "Serpentines del condensador" en la sección "Cuidado y limpieza". • Ajuste el control del refrigerador o del congelador. Vea las instrucciones en "Ajuste de los controles" en la sección "Controles". • Las luces del congelador o refrigerador permanecen encendidas. Si la luz permanece encendida, llame para solicitar servicio. • Las ventilas de aire están obstruidas y restringen la circulación del aire frío. Ubique las ventilas usando su mano para sentir el flujo de aire y mueva todos los paquetes que obstruyan las ventilas y restrinjan el flujo de aire.
La temperatura del cajón para carne está muy tibia.	<ul style="list-style-type: none"> • Deslice el control a una posición más fría. • Ajuste el control del congelador a una temperatura más fría. Vea las instrucciones en "Ajuste de los controles" en la sección "Controles".
La temperatura de los alimentos es demasiado fría.	<ul style="list-style-type: none"> • Limpie los serpentines del congelador. Vea las instrucciones de "Serpentines del congelador" en la sección "Cuidado y limpieza". • Ajuste el control del refrigerador. Vea las instrucciones en "Ajuste de los controles" en la sección "Controles". • Ajuste el control del congelador a una posición más tibia. Vea las instrucciones en "Ajuste de los controles" en la sección "Controles". Deje que pasen varias horas para que la temperatura se ajuste. • Compruebe que la tapa de plástico esté colocada en el lado opuesto del cajón para carnes. Consulte la sección "Cajón para carnes".
El refrigerador se acciona con demasiada frecuencia.	<ul style="list-style-type: none"> • Podría ser normal para mantener una temperatura constante. • Las puertas se han abierto frecuentemente o durante períodos prolongados de tiempo. Cuando se abre la puerta el aire tibio entra al refrigerador. Entre más se abre la puerta mayor es el aire tibio que el refrigerador tiene que enfriar. • Permita tiempo suficiente para que los alimentos tibios recientemente guardados alcancen la temperatura del refrigerador o del congelador. Puede tomar varias horas para que el refrigerador alcance otra vez la temperatura normal. • Limpie los serpentines del condensador. Vea las instrucciones de "Serpentines del condensador" en la sección "Cuidado y limpieza". • Ajuste el control del congelador. Vea las instrucciones en "Ajuste de los controles" en la sección "Controles". • Revise que los empaques sellen correctamente. Los empaques deben sellar ajustadamente al gabinete. • La luz del congelador permanece encendida. Si la luz permanece encendida, quite el foco y llame para solicitar servicio. • Cerciórese de que el refrigerador esté nivelado. Consulte la sección "Nivelación del refrigerador" en las instrucciones de instalación.
Se forman gotas de agua dentro del refrigerador.	<ul style="list-style-type: none"> • Es normal durante períodos de alta humedad o si se abren las puertas con mucha frecuencia. • Envuelva bien los alimentos y seque los recipientes húmedos antes de guardarlos en el refrigerador para evitar la acumulación de humedad.
Se forman gotas de agua fuera del refrigerador.	<ul style="list-style-type: none"> • Revise los empaques de la puerta para ver si sellan correctamente. Los empaques deben sellar ajustadamente al gabinete. • Es normal durante períodos de alta humedad o si se abren las puertas con mucha frecuencia.
Los cajones para carne o para verduras no cierran con facilidad (en algunos modelos).	<ul style="list-style-type: none"> • Revise si hay un paquete que impida que cierre bien el cajón. • Compruebe que el cajón esté en la posición correcta. • Limpie los canales del cajón con agua tibia y jabonosa. Enjuague y seque bien. • Aplique una capa delgada de vaselina a los canales del cajón. • Compruebe que el refrigerador esté nivelado.
El refrigerador tiene mal olor.	<ul style="list-style-type: none"> • Consulte las instrucciones para la "Eliminación de olores" en la sección de "Cuidado y limpieza".
El refrigerador hace sonidos poco comunes que	<ul style="list-style-type: none"> • Podría ser normal. Consulte la sección de "sonidos normales del funcionamiento".

Antes de llamar para solicitar servicio

Problema	Solución
Los cubos de hielo tienen mal olor.	<ul style="list-style-type: none"> • Consulte las instrucciones para la "Eliminación de olores" en la sección de "Cuidado y limpieza". • La máquina para hacer hielo se instaló recientemente. Deseche varios lotes de hielo para evitar hielos descoloridos o con mal sabor. • Hay alimentos que no están bien sellados en el compartimiento del refrigerador o del congelador. Vuelva a envolver los alimentos ya que los olores pueden impregnar el hielo si los alimentos no están apropiadamente envueltos. • Deseche el hielo y lave el recipiente o las bandejas más frecuentemente. Los cubos de hielo son porosos y absorben fácilmente los olores. • El suministro de agua contiene minerales tales como sulfuro. En algunos casos se necesita instalar un filtro para eliminar los problemas con el sabor y con el olor.
Los cubos de hielo se pegan se "encogen".	<ul style="list-style-type: none"> • Vacíe el recipiente o las bandejas para hielo con más frecuencia. Si se usan con poca frecuencia, los cubos pueden pegarse o encogerse.
La máquina de hielo (en algunos modelos) no está haciendo hielo.	<ul style="list-style-type: none"> • La presión del agua puede estar muy baja o muy alta. La máquina de hielo requiere una presión de agua de 20 a 100 psi para funcionar de modo apropiado. • Compruebe que el brazo de la máquina de hielo está hacia abajo. Vea la sección "Máquina de hielo "automática". • Compruebe que el suministro de agua de la casa llega a la válvula de agua. Asegúrese que la válvula de cierre del suministro principal de agua esté completamente abierta. • Se usó una válvula de tipo de penetración o de silla de $\frac{3}{16}$" para la conexión. Ambas reducen el flujo de agua y pueden obstruirse con el tiempo. Reemplace estas válvulas con el tipo correcto de válvula de silla que requiere que se haga un orificio de $\frac{1}{4}$" en la tubería de suministro de agua antes de conectar la válvula. • Compruebe que los alambres del arnés de la máquina de hielo están completamente dentro de los orificios apropiados. • Revise para ver si hay torceduras en las tuberías de cobre o de plástico. Elimine las torceduras o reemplace la tubería. • Revise las conexiones eléctricas al serpentín de la válvula del agua y el bloc conector en el gabinete del refrigerador. • Si se instaló un filtro de agua en la línea de agua afuera del refrigerador, revise el filtro para ver si hay obstrucciones o si fue instalado incorrectamente.
La máquina de hielo (en algunos modelos) no produce suficiente hielo.	<ul style="list-style-type: none"> • La máquina de hielo se instaló recientemente o se usó recientemente una cantidad grande de hielo. Espere 24 horas para que la producción de hielo comience y para que la máquina de hielo se surta después de ser vaciada. • Compruebe que el suministro de agua llega a la válvula de agua. Asegúrese que la llave de la válvula de agua esté completamente abierta. • Se usó una válvula de tipo de penetración o de silla de $\frac{3}{16}$" para la conexión. Ambas reducen el flujo de agua y pueden obstruirse con el tiempo. Reemplace estas válvulas con el tipo correcto de válvula de silla que requiere que se haga un orificio de $\frac{1}{4}$" en la tubería de suministro de agua antes de conectar la válvula. • Elimine las torceduras o reemplace la tubería. • Compruebe que la sección del congelador está funcionando a la temperatura apropiada. El congelador debe estar lo suficientemente frío para producir hielo. Vea la sección de "Ajuste de los controles".
Se forma hielo en el tubo de entrada de la máquina de hielo (en algunos modelos)	<ul style="list-style-type: none"> • Revise la presión del agua. La presión de agua baja causa que la válvula gotee. • Se usó una válvula de tipo de penetración o de silla de $\frac{3}{16}$" para la conexión. Ambas reducen el flujo de agua y pueden obstruirse con el tiempo. Reemplace estas válvulas con el tipo correcto de válvula de silla que requiere que se haga un orificio de $\frac{1}{4}$" en la tubería de suministro de agua antes de conectar la válvula.

 Ce symbole signale une mesure de sécurité.

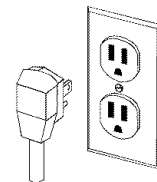
Normes électriques

MISE EN GARDE

Ne jamais couper ou enlever la broche ronde de mise à la terre de la fiche. Le réfrigérateur doit être mis à la terre en tout temps. Ne jamais enlever l'étiquette d'avertissement du cordon d'alimentation. Ne jamais utiliser d'adaptateur à deux broches. Ne jamais utiliser de rallonge.

Instructions de mise à la terre — Ce réfrigérateur est muni d'une fiche à 3 broches pour prévenir les risques d'électrocution. Si la prise de courant disponible convient uniquement à une fiche à 2 broches, contacter un électricien qualifié et la faire remplacer par une prise de courant à 3 orifices correctement reliée à la terre, conformément au Code national de l'électricité.

Le réfrigérateur est conçu pour fonctionner sur une ligne séparée de 60 Hz, 15 A, de 103 à 126 V.



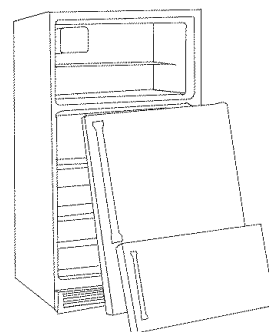
DANGER

Mise au rebut du réfrigérateur

IMPORTANT: Les enfants qui se trouvent enfermés dans un réfrigérateur et y meurent d'asphyxie ne sont pas un problème du passé. Les réfrigérateurs mis au rebut ou abandonnés sont encore dangereux, même s'ils ne sont là que « pour quelques jours ». Lors de la mise au rebut d'un réfrigérateur, veiller à suivre les indications ci-dessous pour éviter les accidents.

AVANT DE JETER VOTRE VIEUX RÉFRIGÉRATEUR OU CONGÉLATEUR:

- Enlever les portes.
- Laisser les étagères en place de façon à ce que les enfants aient des difficultés à se glisser à l'intérieur.



Garantie

Garantie totale d'un an du réfrigérateur

Pendant un an à partir de la date d'achat et si ce réfrigérateur est utilisé et entretenu tel qu'indiqué dans les instructions attachées à l'appareil ou fournies avec lui, Sears réparera gratuitement ce réfrigérateur s'il présente des défauts de matériel ou de main-d'oeuvre.

Garantie totale de cinq ans sur le système de réfrigération scellé

Pendant cinq ans à partir de la date d'achat et si ce réfrigérateur est utilisé et entretenu tel qu'indiqué dans les instructions attachées à l'appareil ou fournies avec lui, Sears réparera gratuitement le système de réfrigération scellé de ce réfrigérateur (qui se compose du réfrigérateur, des conduites et du moteur du compresseur) s'il présente des défauts de matériel ou de main-d'oeuvre.

Cette garantie s'applique uniquement aux réfrigérateurs utilisés à des fins ménagères.

Pour obtenir des prestations de garantie, contacter 1-800-4-MY-HOME (469-4663).

Cette garantie est valable uniquement pendant que cet appareil est utilisé aux États-Unis.

Cette garantie vous donne des droits spécifiques et vous pouvez jouir d'autres droits qui varient d'une province à l'autre.

Sears, Roebuck and Co., Dept 817WA, Hoffman Estates, IL 60179 É.-U.

Lire et conserver ces instructions

Indiquer ci-dessous dans l'espace prévu à cet effet les numéros de modèle et de série qui se trouvent sur la plaque signalétique située sur la paroi gauche supérieure du compartiment réfrigérateur.

Numéro de modèle : 596. _____

Numéro de sériel: _____

Date d'achat : _____

Table des Matières

Normes électriques	42
Mise au rebut du réfrigérateur	42
Garantie	42
Lire et conserve instructions	42
Espace nécessaire	43
Consignes relatives aux modèles à portes inversée	44
Retraits des portes et des charnières	44
Pour inverser des portes	44
Remise en place des portes	45
Consignes relatives aux modèles avec tiroir congélateur coulissant	46
Retrait de la porte et des charnières	46
Inversion de la poignée	46
Remise en place de la porte du réfrigérateur	47
Retrait et remise en place du tiroir coulissant du congélateur	47
Raccordement de l'appareil à glace à l'alimentation en eau (certains modèles)	49
Mise à niveau du réfrigérateur	50
Commandes	51
Thermostats du réfrigérateur et du congélateur ...	51
Réglage des thermostats	51
Composants du réfrigérateur	51
Tablettes du réfrigérateur	51
Tiroir réglable (certains modèles)	51
Bacs à Légumes	52
Bac à viande	52
Système de bac à légumes et de bac à viande à température contrôlée (certains modèles)	52
Porte-bouteilles (certains modèles)	54
Bac utilitaire avec couvercle (certains modèles) ..	54
Casier laitier	54
Bacs de porte	54
Balconnets de porte	54
Composants du congélateur	54
Système auto-dégivrant	54
Appareil à glace (certains modèles)	54
Grille utilitaire à glaçons	55
Clayette métallique	55
Séparateur de clayette vertical (certains modèles)	55
Panier métallique	56
Séparateur de bac vertical (certains modèles) ...	56
Bac inclinable (certains modèles)	56
Tiroirs coulissants (certains modèles)	56
Anti-givre (certains modèles)	56
Entretien et nettoyage	57
Général	57
Nettoyage de l'acier inoxydable	57
Adhésifs	57
Joint de portes	57
Bobine du condenseur	57
Clayettes en verre	57
Suppression des odeurs	57
Remplacement des ampoules électriques	58
Conseils pour les vacances	58
Conseils pour des économies d'énergie	58
Bruits normaux	59
Avant d'appeler service de dépannage	60

Remarque:

La traduction peut parfois donner à des variations dans le sens des termes. Dans tous les cas où il y aura une différence de sens, la version anglaise de ce document prévaut.

Espace nécessaire

MISE EN GARDE

Conserver toutes matières ou vapeurs inflammables telles que l'essence à distance sûre du réfrigérateur. Le non respect de cette consigne risque d'entraîner une explosion, un incendie, des brûlures, voire la mort.

- Laisser un espace de ½ po (1.3 cm) au haut du réfrigérateur pour assurer un apport d'air suffisant.
- Si le réfrigérateur est équipé d'un appareil à glace, veiller à laisser suffisamment d'espace à l'arrière pour le raccordement à l'alimentation en eau. S'il n'est pas équipé d'un appareil à glace, il peut toucher le mur arrière.
- Si le réfrigérateur est placé près d'un mur ou d'une cloison, laisser un minimum de 2 ½ po (6.4 cm) de chaque côté (en fonction du modèle) pour permettre l'ouverture de la porte à 90°.

REMARQUE : Ne pas placer le réfrigérateur près d'un four, d'un radiateur ou d'une autre source de chaleur ni dans un endroit où la température risque de tomber au-dessous de 55° F (13° C).

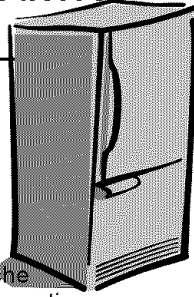
Consignes relatives aux modèles à portes inversées

Une mise en service correctement effectuée assure le fonctionnement efficace du réfrigérateur.

Amana ne peut être tenu responsable en cas d'installation inadéquate.

Outils nécessaires

- Tourne-écrou à six pans de $\frac{5}{16}$ "
- Tourne-écrou à six pans de $\frac{1}{4}$ "
- Tourne-écrou à six pans de $\frac{3}{8}$ "
- Ruban-cache
- Couteau à mastic
- Tournevis cruciforme



IMPORTANT :

- Conserver toutes les vis pour les réutiliser.
- Lorsque le retrait de l'obturateur nécessite l'utilisation d'un tournevis à lame plate ou un couteau à mastic, la lame de l'outil doit être recouverte de ruban-cache adhésif pour ne pas endommager la finition du réfrigérateur. Pour les obturateurs utilisant une tête de type tournevis ou tourne-écrou, utiliser le tournevis approprié pour éviter d'endommager les obturateurs.

Retrait des portes et des charnières

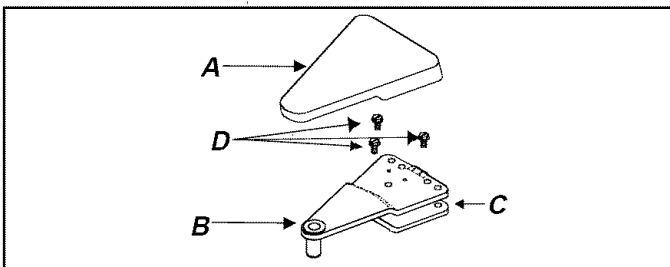
Certains installations exigent le retrait de la porte et des charnières avant de transporter l'appareil à son emplacement final.



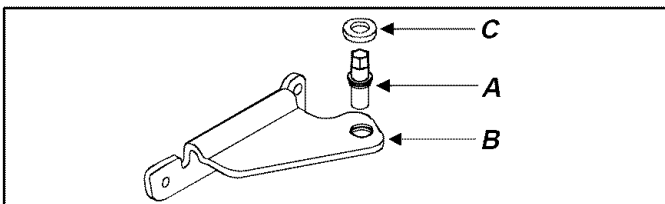
MISE EN GARDE

Pour éviter toute décharge électrique susceptible de causer des blessures graves ou mortelles, débrancher l'alimentation du réfrigérateur avant de retirer les portes. Rebrancher l'appareil une fois que les portes ont été remises en place.

1. Retirer le couvre-charnière supérieur (A). Top hinge cover snaps off. Celui-ci se désenclenche. Tout en soutenant la porte du réfrigérateur, retirer la charnière supérieure (B) et la cale (C) en utilisant un tournevis à tête hexagonale de $\frac{5}{16}$ " ou pour enlever les vis (D).

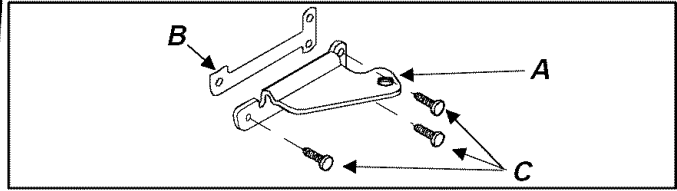


2. Soulever la porte du réfrigérateur hors de la charnière centrale.
3. Soulever le dispositif de fermeture de la porte (A) hors de la charnière centrale (B) à l'aide d'un tournevis à tête hexagonale de $\frac{5}{16}$ " po. Retirer et conserver toutes les rondelles-cales (C—some models).



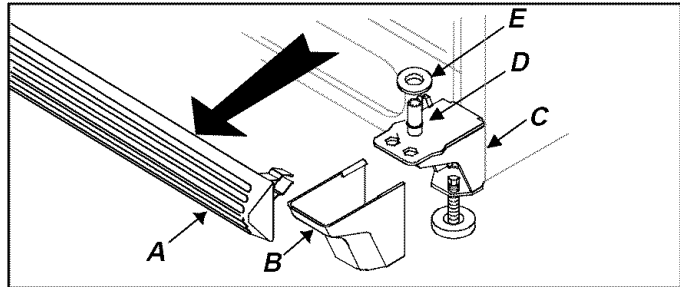
4. Retirer la porte du congélateur en soulevant la porte hors de la charnière inférieure.

5. Retirer le support de la charnière centrale (A) et la cale (B) en enlevant les vis (C) à l'aide d'un tournevis cruciforme.



6. Retirer la grille de ventilation (A) et le couvre-charnière inférieur (B). Les deux se désenclenchent.

7. Retirer la charnière inférieure et la cale (C) à l'aide d'un tournevis à tête hexagonale de $\frac{3}{8}$ " po. Retirer la broche de la charnière (D). Retirer et conserver toutes les rondelles-cales (E), s'il y a lieu.



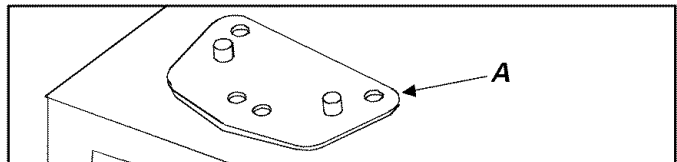
Pour inverser des portes

Dans certains cas, la porte doit être inversée pour permettre son ouverture complète. Pour inverser les portes, procéder comme suit:

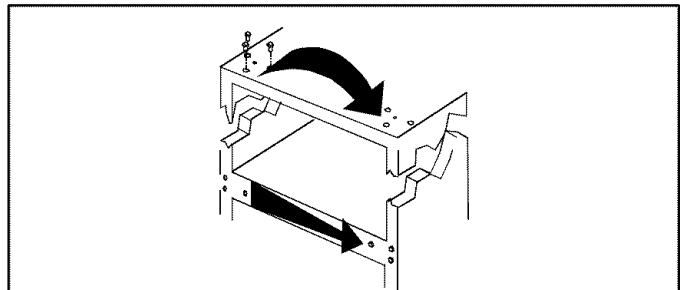
Note de service: modèles à porte recourbée seulement

Seul un technicien qualifié peut inverser cette porte. Pour faire inverser les portes, appeler le 1-800-843-0304. Des frais seront exigés pour ce service.

1. Suivre le mode 'emploi à la section intitulée **Retrait des portes et des charnières**.
2. Enlever la cale de positionnement positif du dessus de l'appareil (A). **REMARQUE:** ne pas laisser la poussière et la saleté entrer en contact avec la surface adhésive de la cale avant de la remettre en place car cela pourrait nuire à la remise en place.

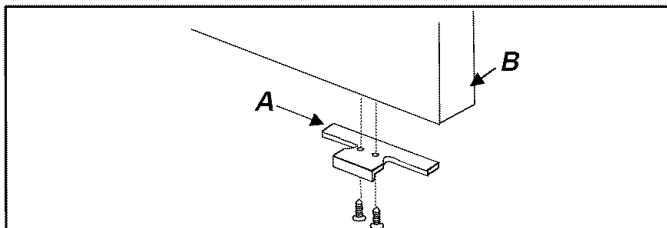


3. Transférer les trois obturateurs du coin supérieur dans les trous de fixation laissés vides par le retrait de la charnière supérieure.
4. Transférer trois vis à tête hexagonale de $\frac{5}{16}$ po du côté opposé à la charnière centrale, dans les trous laissés vides par le retrait de la charnière centrale.



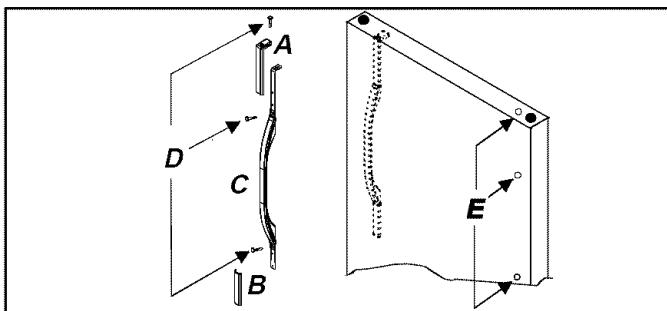
Retrait de la butée de porte

1. Dévisser les deux vis cruciformes pour retirer la butée de porte (A) du réfrigérateur et du congélateur (B). Conserver toutes les vis pour remettre la butée de porte en place.



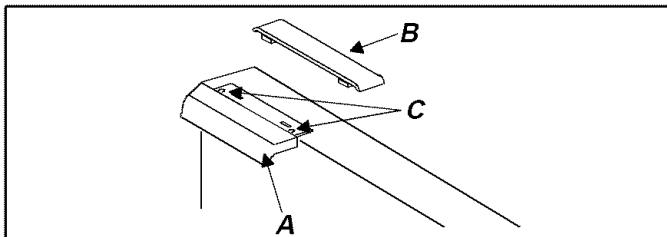
Inversion des poignées—modèle avec poignées installées à l'avant

1. Retirer la vis de la poignée de la moulure (A). Soulever le rebord de la moulure de la poignée (A & B) à l'aide d'un couteau à mastic recouvert de ruban-cache. Retirer la poignée (C) de la porte en enlevant la vis de montage qui reste de chaque côté de la poignée (D).
2. Retirer les bouchons du côté charnière de la porte (E). Remettre les bouchons en place dans les trous de montage vides.
3. Poser la poignée de porte du réfrigérateur (C) sur le côté opposé de la porte à l'aide des vis de montage retirées lors de l'étape précédente.
4. Enclencher la moulure de la poignée (A et B) en place et remettre la vis dans la partie supérieure de la poignée.

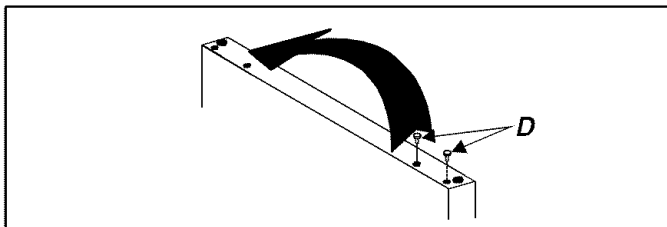


Inversion de la poignée de porte du congélateur

1. Repérer les deux encoches à l'arrière de la poignée de porte du congélateur (A). Insérer le couteau à mastic recouvert de ruban-cache. Soulever le rebord arrière du capuchon de la poignée (B) et le retirer de la poignée.
2. Retirer la poignée de la porte en enlevant les vis (C).



3. Transférer les bouchons (D) du côté opposé de la porte du congélateur dans les trous de montage vides.

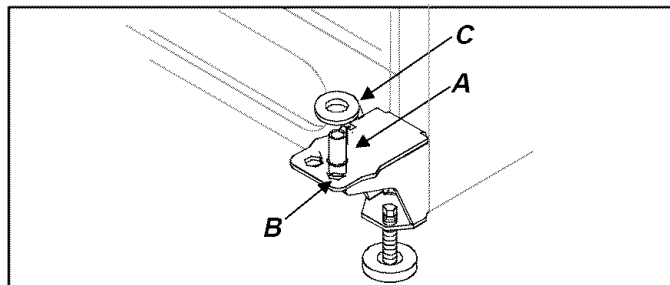


Remise en place de la butée de porte

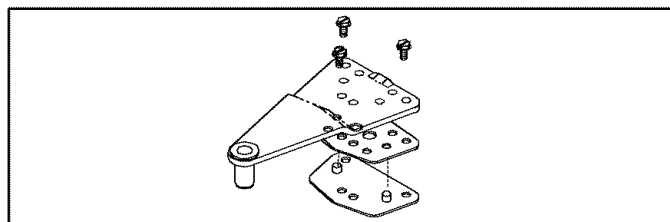
1. Placer la butée de porte du côté opposé à la poignée sur le dessous de la porte.

Remise en place des portes

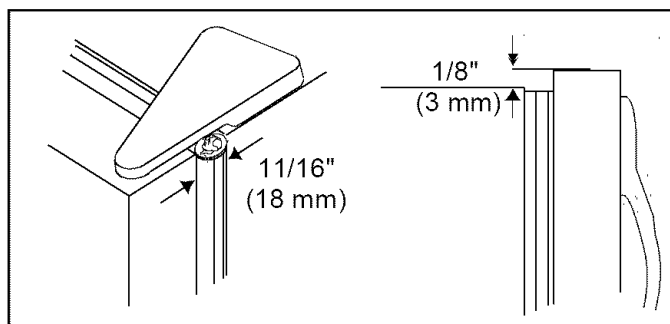
1. Remettre la charnière inférieure et les cales en place avec les vis hexagonales de $\frac{3}{8}$ " po provenant du retrait de la charnière.
2. Remettre la broche de charnière inférieure (A) dans le trou du support de charnière (B) vers l'extérieur de l'appareil. Remettre en place toutes les rondelles de calage (C—certains modèles).



3. Remettre la charnière centrale et les cales en place avec des vis cruciformes provenant du retrait de la charnière.
4. Placer la porte du congélateur sur la broche de charnière inférieure.
5. Remettre la broche de charnière centrale en place avec un tourne-écrou hexagonal de $\frac{5}{16}$ " po. S'assurer qu'elle est bien ajustée. Remettre toutes les rondelles de calage en place (certains modèles).
6. Assembler la charnière supérieure, la cale de la charnière et la cale de positionnement ensemble. Les fixer sans serrer au côté opposé de l'appareil pour faciliter le dégageement de la porte.



7. Placer la porte du réfrigérateur sur la charnière centrale. Serrer la charnière supérieure pour bien retenir la porte.
8. Utiliser une pièce de dix cents dans la partie supérieure pour espacer la porte de $\frac{11}{16}$ " (18 mm) à partir de l'appareil. Le côté de la poignée de porte doit être environ $\frac{1}{8}$ " (3 mm) plus élevé que le côté de la charnière. La porte sera de niveau lorsqu'elle est remplie de nourriture.



9. Remettre le couvre charnière en place.

Remarque: si l'alimentation en eau automatique de la machine à glace est requise, raccorder le tuyau d'alimentation de la machine à glace. Sinon, passer à la rubrique intitulée Mise de niveau du réfrigérateur.

Consignes relatives aux modèles avec tiroir congélateur coulissant

Une mise en service correctement effectuée assure le fonctionnement efficace du réfrigérateur.

Amana ne peut être tenu responsable en cas d'installation inadéquate.

Outils nécessaires

Tournevis T-15 Torx™

Tourne-écrou à six pans de $\frac{3}{8}$ "

Tourne-écrou à six pans de $\frac{5}{16}$ "

Ruban-cache

Couteau à mastic

Tournevis cruciforme

IMPORTANT :

- Conserver toutes les vis pour les réutiliser.
- Lorsque le retrait de l'obturateur nécessite l'utilisation d'un tournevis à lame plate ou un couteau à mastic, la lame de l'outil doit être recouverte de ruban-cache adhésif pour ne pas endommager la finition du réfrigérateur. Pour les obturateurs utilisant une tête de type tournevis ou tourne-écrou, utiliser le tournevis approprié pour éviter d'endommager les obturateurs.

Retrait de la porte et des charnières

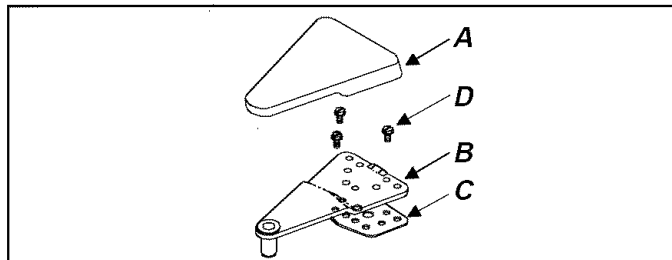
Certains installations exigent le retrait de la porte pour transporter l'appareil à son emplacement final.



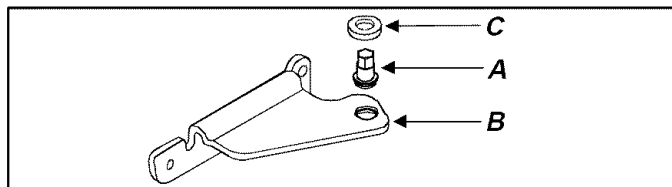
MISE EN GARDE

Pour éviter toute décharge électrique susceptible de causer des blessures graves ou mortelles, débrancher l'alimentation du réfrigérateur avant de retirer les portes. Rebrancher l'appareil une fois que les portes ont été remises en place.

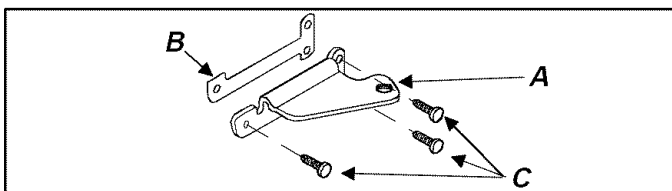
1. Retirer le couvre-charnière supérieur (A). Celui-ci se désenclenche. Tout en soutenant la porte du réfrigérateur, retirer la charnière supérieure (B) et la cale (C) en utilisant un tournevis à tête hexagonale de $\frac{5}{16}$ " ou pour enlever les vis (D).



2. Soulever la porte du réfrigérateur hors de la charnière centrale.
3. Soulever le dispositif de fermeture de la porte (A) hors de la charnière centrale (B) à l'aide d'un tournevis à tête hexagonale de $\frac{5}{16}$ " po. Retirer et conserver toutes les rondelles-cales (C—some models).



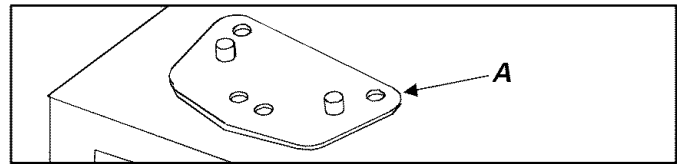
4. Retirer le support de la charnière centrale (A) et la cale (B) en enlevant les vis (C) à l'aide d'un tournevis cruciforme.



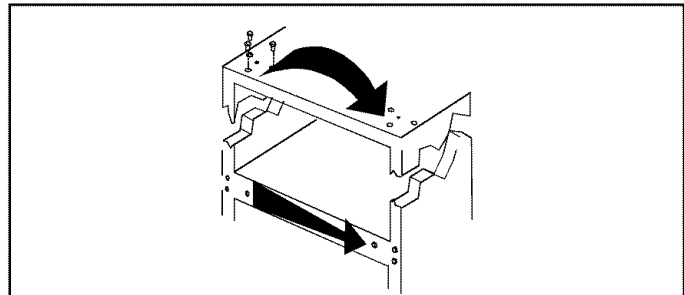
Inversion de la poignée

Dans certains cas, la porte doit être inversée pour permettre son ouverture complète. Pour inverser les portes, procéder comme suit:

1. Suivre le mode d'emploi à la section intitulée **Retrait de la porte et des charnières**
2. Enlever la cale de positionnement positif du dessus de l'appareil (A). **REMARQUE:** ne pas laisser la poussière et la saleté entrer en contact avec la surface adhésive de la cale avant de la remettre en place car cela pourrait nuire à la remise en place.

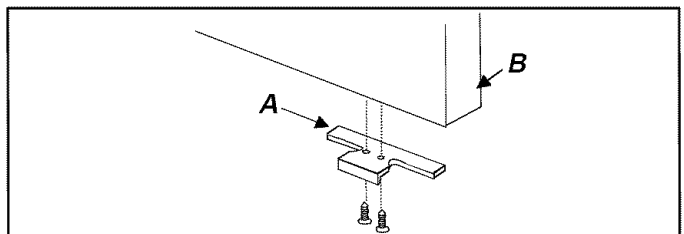


3. Transférer les trois obturateurs du coin supérieur dans les trous de fixation laissés vides par le retrait de la charnière supérieure.
4. Transférer trois vis à tête hexagonale de $\frac{5}{16}$ " po du côté opposé à la charnière centrale, dans les trous laissés vides par le retrait de la charnière centrale.



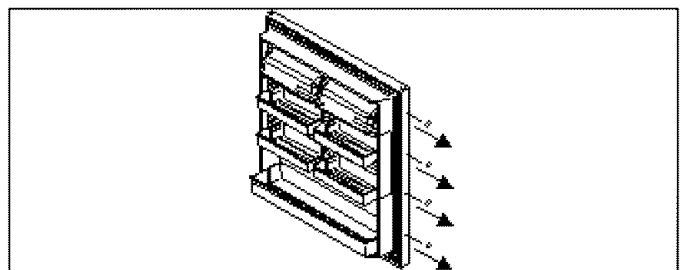
Retrait de la butée de porte

1. Dévisser les deux vis cruciformes pour retirer la butée de porte (A) du réfrigérateur (B). Conserver toutes les vis pour remettre la butée de porte en place.

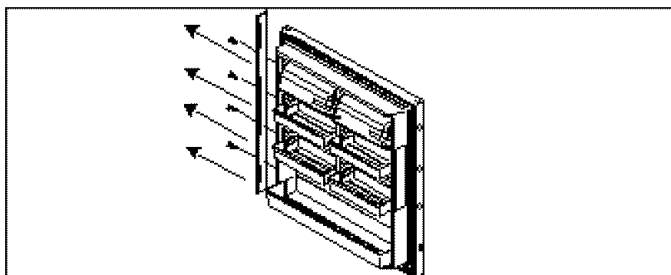


Inversion de la poignée

1. Retirer les bouchons de porte du rebord de la porte. Les conserver pour les remettre en place ultérieurement.



2. Enlever les vis Torx pour dégager la poignée de la porte. Conserver les vis pour les remettre en place.



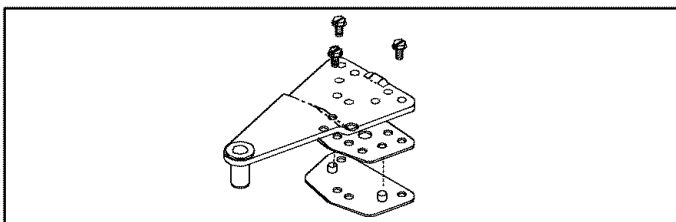
3. Fixer la poignée sur le côté opposé de la porte à l'aide des vis provenant du retrait de la porte.
4. Placer les bouchons dans les trous sur le rebord de la porte du côté opposé à la poignée.

Remise en place de la butée de porte

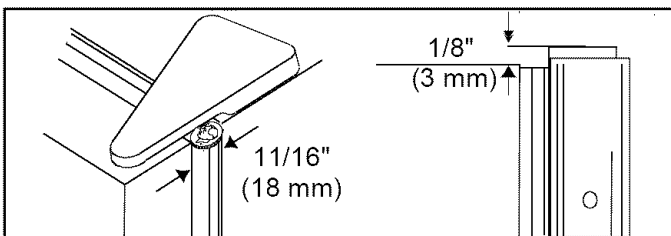
1. Fixer la butée de porte du côté opposé à la poignée sur le dessous de la porte.

Remise en place de la porte du réfrigérateur

1. Remettre la charnière centrale et les cales en place avec les vis cruciformes provenant du retrait de la charnière.
2. Remettre la broche de charnière centrale en place avec un tourne-écrou hexagonal de $\frac{5}{16}$ " po. S'assurer qu'elle est bien ajustée. Remettre toutes les rondelles de calage en place (**certaines modèles**).
3. Assembler la charnière supérieure, la cale de la charnière et la cale de positionnement ensemble. Les fixer sans serrer au côté opposé de l'appareil pour faciliter le dégagement de la porte.



4. Placer la porte du réfrigérateur sur la charnière centrale. Serrer la charnière supérieure pour bien retenir la porte.
5. Utiliser une pièce de dix cents dans la partie supérieure pour espacer la porte de $\frac{11}{16}$ po (18 mm) à partir de l'appareil. Le côté de la poignée de porte doit être environ $\frac{1}{8}$ po (3 mm) plus élevé que le côté de la charnière. **La porte sera de niveau lorsqu'elle est remplie de nourriture.**



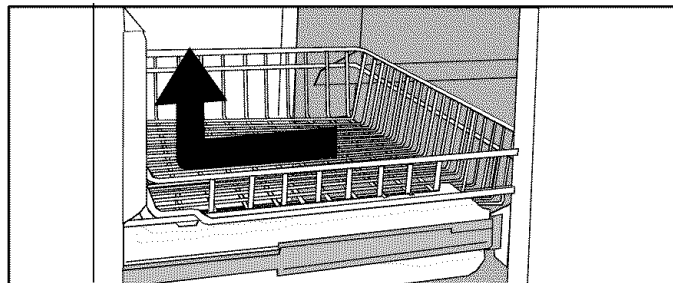
6. Remettre le couvre-charnière en place.

Remarque : si l'alimentation en eau automatique de la machine à glace est requise, raccorder le tuyau d'alimentation de la machine à glace. Sinon, passer à la rubrique intitulée Mise de niveau du réfrigérateur.

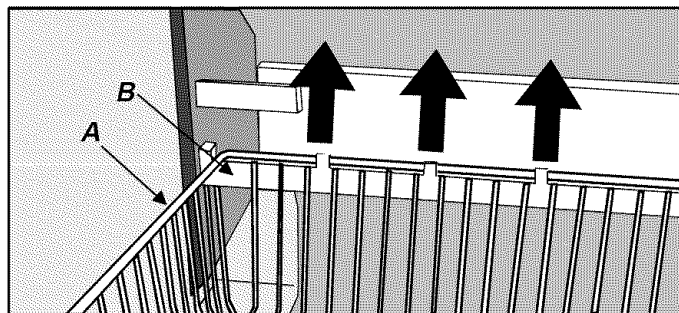
Retrait et remise en place du tiroir coulissant du congélateur

Retrait du tiroir du congélateur

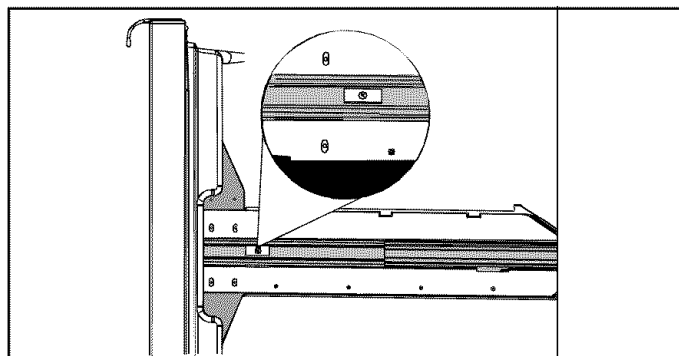
1. Ouvrir le tiroir du congélateur jusqu'au bout.
2. Vider tous les articles des paniers.
3. Faire glisser le panier métallique supérieur jusqu'au bout et le soulever pour le retirer.



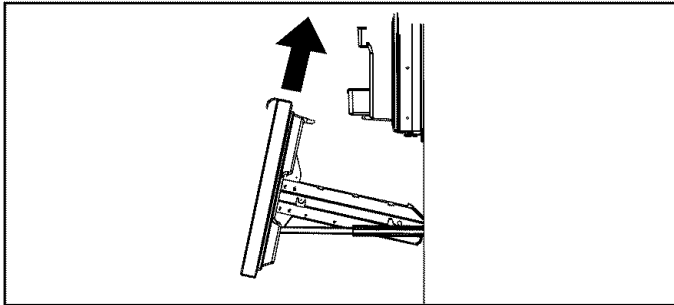
4. Retirer le panier inférieur (A) en le soulevant des crémaillères (B).



5. Retirer la vis cruciforme (C) de chaque côté des crémaillères du tiroir (D). **NE PAS** retirer les vis hexagonales des crémaillères.

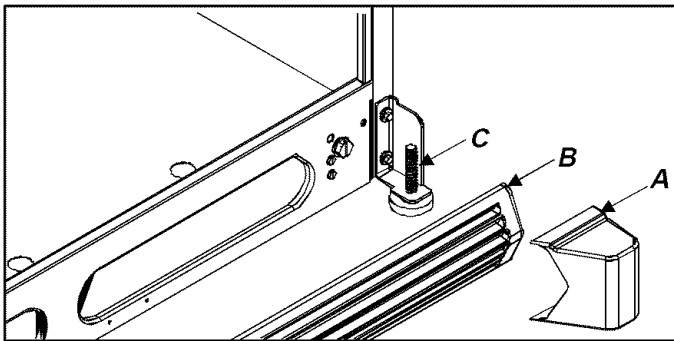


6. Soulever la poignée avant du tiroir du congélateur pour désenclencher les crochets des crémaillères (E) des crémaillères intérieures (F). Soulever le tiroir pour le retirer.



Consignes optionnelles pour régler les problèmes de dégagement lors du transport

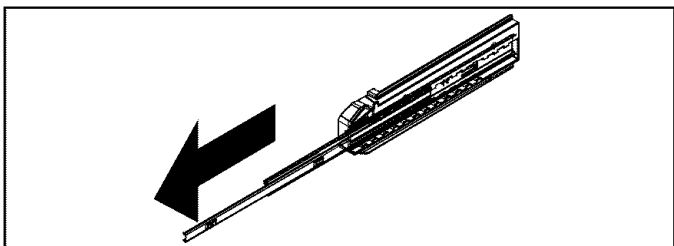
1. Retirer les deux couvre-pieds de stabilisation (A) et la grille (B). Les deux se désenclenchent.
2. Retirer les deux supports de stabilisation (C) avec un tourne-écrou hexagonal de $\frac{3}{8}$ po.



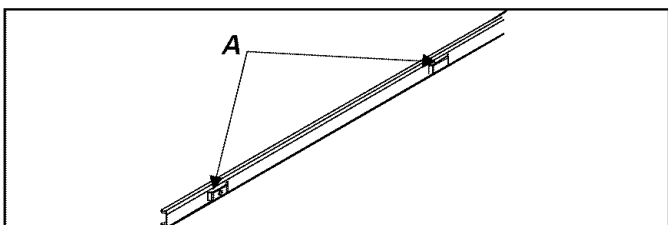
Remise en place du tiroir du congélateur

IMPORTANT : la présence de deux personnes peut être nécessaire pour achever cette procédure.

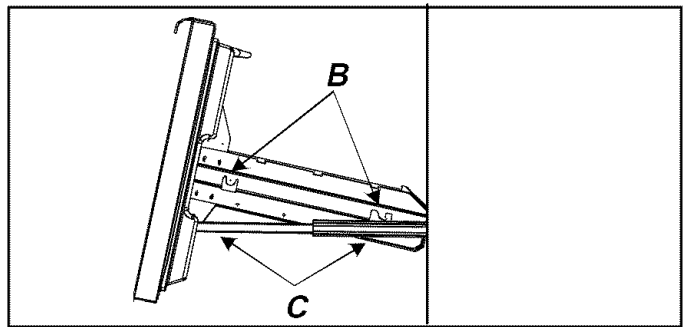
1. Étirer les deux crémaillères intérieures pleine grandeur de chaque côté de l'appareil.



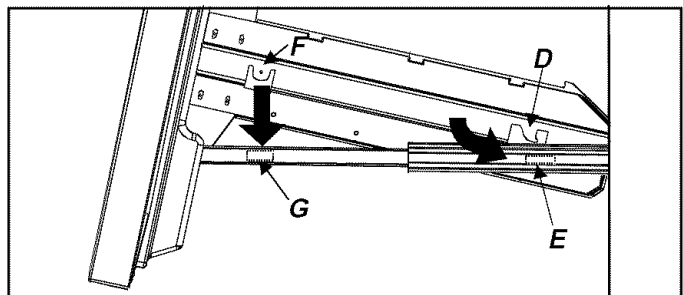
2. Repérer les encoches (A) dans les deux rallonges de crémaillères intérieures.



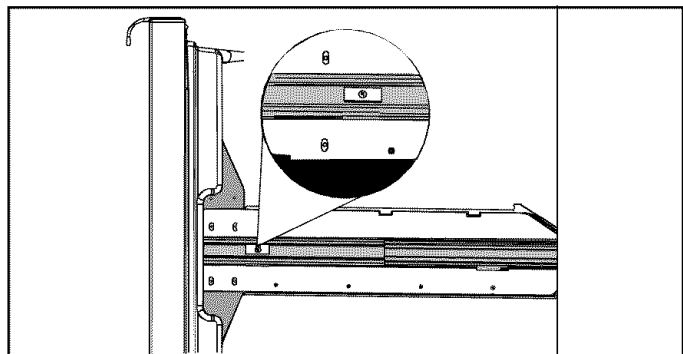
3. Insérer l'attache du crochet (D) dans l'encoche (E) selon un angle de 45 degrés. Insérer l'attache (F) dans l'encoche (G) en abaissant l'extrémité de la poignée.



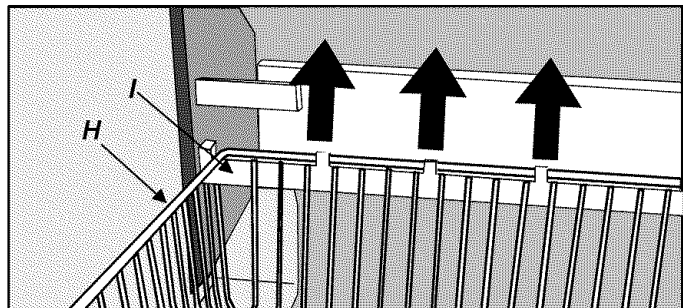
4. Insérer l'attache du crochet (D) dans l'encoche (E) selon un angle de 45 degrés. Insérer l'attache (F) dans l'encoche (G) en abaissant l'extrémité de la poignée.



5. Remettre les vis cruciformes en place sur les deux rallonges des crémaillères.



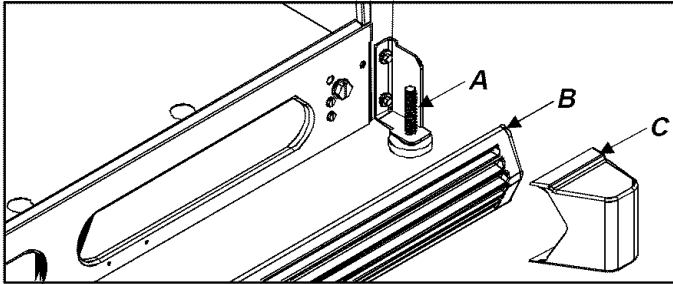
6. Remettre le panier inférieur (H) en le plaçant dans les crémaillères (I).



7. Faire glisser le panier supérieur dans le compartiment supérieur.

Consignes optionnelles pour régler les problèmes de dégagement lors du transport

1. Remettre les deux pieds de stabilisation (A) en place avec un tourne-écrou hexagonal de $\frac{3}{8}$ po.
2. Remettre la grille (B) et les deux couvre-pieds de stabilisation (C). Voir les marques à l'intérieur de la grille pour assurer le positionnement adéquat.
 - **Enclencher la portion supérieure en place d'abord.** Appuyer sur la partie inférieure de la grille jusqu'à ce qu'elle s'enclenche en place.



Raccordement de l'alimentation en eau de la machine à glace (certains modèles)

DANGER

Pour éviter tout risque d'électrocution pouvant causer des blessures graves voire mortelles, débrancher le réfrigérateur avant de faire le raccordement à l'alimentation en eau. Le rebrancher une fois le raccordement effectué.

ATTENTION

Observer les consignes suivantes pour éviter tout dommage matériel:

- S'assurer que la pression de l'eau à l'électrovanne est bien entre 20 et 100 livres par pouce carré (138 et 690 kPa).
- Serrer les raccords et les écrous à l'aide de pinces et de clés. Serrer le raccord et les écrous de l'adaptateur avec une clé anglaise. Ne pas trop serrer.
- Vérifier qu'il n'y a pas de fuites et les réparer s'il y a lieu avant de mettre le réfrigérateur à son emplacement final. Procéder à une nouvelle vérification 24 heures après le raccordement.

IMPORTANT:

- Avant d'effectuer le raccordement à l'alimentation en eau, contacter un plombier pour raccorder la conduite en cuivre à l'arrivée d'eau de la maison conformément aux codes et règlements locaux.
- NE PAS utiliser de robinet à étrier de $\frac{3}{16}$ po (5 mm) ni de robinet auto-taraudeur. L'un comme l'autre réduisent le débit d'eau, se bouchent au fil des années et peuvent provoquer des fuites lorsqu'on essaie de les réparer. Pour convenir, un robinet d'arrêt exige le percement d'un trou de $\frac{1}{4}$ po (6 mm) dans la conduite d'alimentation en eau avant d'y fixer le robinet.
- Ne pas installer de tuyau en cuivre dans un endroit où la température descend sous 32 °F (0 °C).

Matériel nécessaire

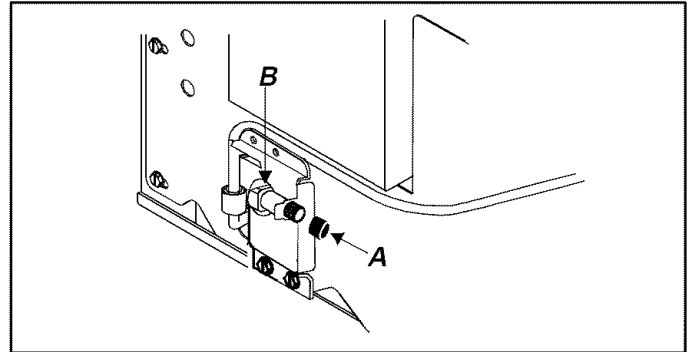
Une tubulure flexible en cuivre de diamètre externe de $\frac{1}{4}$ po (6 mm)

Clé ouverte de $\frac{1}{2}$ po

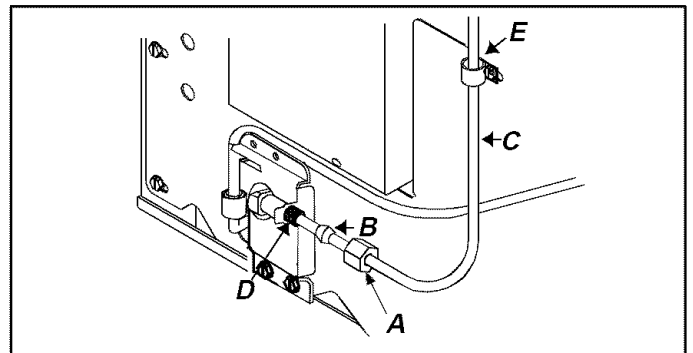
La longueur de la conduite doit être suffisante pour couvrir la distance entre l'arrivée d'eau de l'électrovanne et le point de raccordement à l'alimentation en eau à l'arrière du réfrigérateur, additionnée de 8 pi (2 mm) pour former une boucle permettant le déplacement de celui-ci sans avoir à désolidariser la conduite.

Marche à suivre

1. Enlever le capuchon en plastique (A) de l'orifice d'arrivée d'eau de l'électrovanne (B).



2. Placer l'écrou en laiton (A) et le manchon en laiton (B) sur le tuyau en cuivre (C). (L'écrou et le manchon en laiton se trouvent dans le paquet d'accessoires qui accompagnent l'appareil.) Visser l'écrou en laiton qui se trouve sur le tuyau en cuivre sur l'orifice d'arrivée d'eau de l'électrovanne. Commencer à visser à la main, puis terminer à la clé ouverte de $\frac{1}{2}$ po. S'assurer que le tuyau en cuivre est bien fixé en tirant dessus.
3. Créer une boucle de service en prenant soin d'éviter tout entortillement. Fixer le tuyau en cuivre (C) au réfrigérateur avec une pince en P (E).



Mise à niveau du réfrigérateur

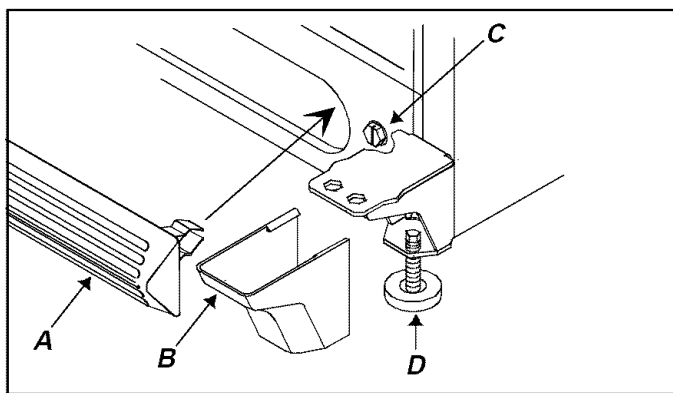
Modèles à portes inversée

ATTENTION

Pour éviter tous dommages, protéger les planchers en vinyle ou de tout autre type avec du carton, de la moquette ou un autre matériau protecteur.

Si le réfrigérateur exige le raccordement de l'alimentation en eau à la machine à glace, raccorder celle-ci avant de mettre le réfrigérateur de niveau.

1. Brancher le réfrigérateur.
2. Le mettre à son emplacement final.
3. Pour mettre le réfrigérateur à plat, placer un niveau sur le dessus de l'appareil et procéder de la manière suivante:
 - Enlever la grille de ventilation (A). Enlever le couvre-charnière inférieur (B).
 - Tourner les vis de réglage (C) du rouleau à tête hexagonale de $\frac{3}{8}$ po pour élever ou abaisser le coffrage du réfrigérateur. L'avant du réfrigérateur doit être $\frac{1}{4}$ po (6 mm), ou $\frac{1}{2}$ bulle sur le niveau, plus élevé que l'arrière.
 - S'assurer que le réfrigérateur est de niveau d'un côté à l'autre en ajustant la vis de réglage (C) à gauche et à droite.
 - Tourner le pied de stabilisation (D) dans le sens horaire jusqu'à ce qu'il repose fermement sur le plancher.
4. Remettre la grille de ventilation (A) et le couvre-charnière inférieur (B). Repérer la flèche imprimée sur l'intérieur de la grille pour déterminer l'emplacement adéquat.
 - Enclencher d'abord la partie supérieure en place. Appuyer sur la partie inférieure de la grille jusqu'à ce qu'elle s'enclenche en place.



5. Lire la **Liste de vérification** figurant dans le manuel du propriétaire avec le client.

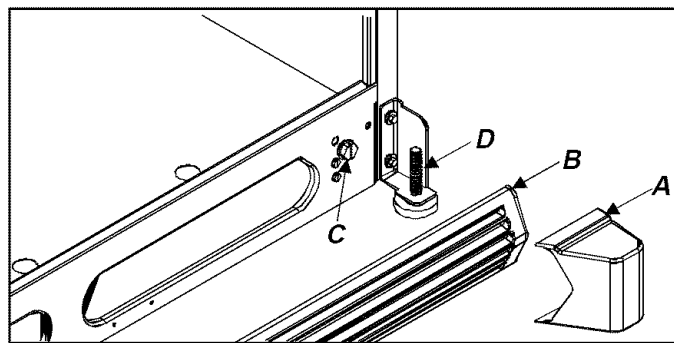
Modèles les avec tiroir de congélateur coulissant

ATTENTION

Pour éviter tous dommages, protéger les planchers en vinyle ou de tout autre type avec du carton, de la moquette ou un autre matériau protecteur.

Si le réfrigérateur exige le raccordement de l'alimentation en eau à la machine à glace, raccorder celle-ci avant de mettre le réfrigérateur de niveau.

1. Brancher le réfrigérateur.
2. Le mettre à son emplacement final.
3. Pour mettre le réfrigérateur à plat, placer un niveau sur le dessus de l'appareil et procéder de la manière suivante:
 - Retirer le couvre-pied de stabilisation (A). Retirer la grille (B).
 - Tourner les vis de réglage pivotantes (C) pour soulever ou abaisser le réfrigérateur. Le devant du réfrigérateur doit être $\frac{1}{4}$ po (6 mm), ou $\frac{1}{2}$ bulle sur le niveau, plus élevé que l'arrière.
 - S'assurer que le réfrigérateur est de niveau d'un côté à l'autre en réglant la vis de réglage pivotante de droite et de gauche (C).
 - Tourner les deux pieds de stabilisation (D) dans le sens horaire jusqu'à ce qu'ils soient appuyés fermement contre le plancher.
 - Tourner la vis de réglage 2 à 3 fois dans le sens antihoraire afin que la totalité du poids de l'appareil repose sur les pieds de stabilisation.
4. Remettre la grille en place (A) et les deux couvre-pieds de stabilisation (B). Voir les marques à l'intérieur de la grille pour assurer le positionnement adéquat.
 - **Enclencher la portion supérieure en place d'abord.** Appuyer sur la partie inférieure de la grille jusqu'à ce qu'elle s'enclenche en place.



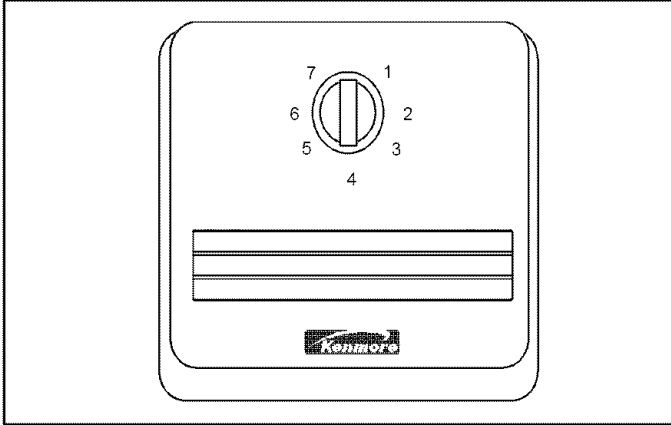
5. Lire la **Liste de vérification** figurant dans le manuel du propriétaire avec le client.

Commandes

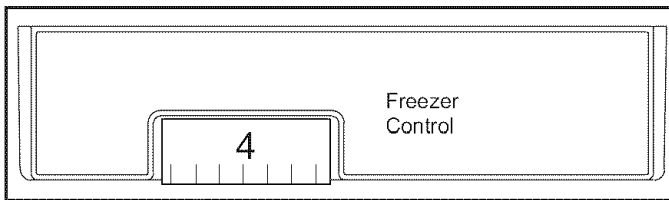
Ce réfrigérateur est conçu pour fonctionner à température ambiante normale à l'intérieur d'une maison, de 55 ° à 110 ° F (13 ° à 43 ° C).

Thermostats du réfrigérateur et du congélateur

Le thermostat du réfrigérateur se trouve au haut de la paroi arrière du compartiment réfrigérateur.



Le thermostat du congélateur se trouve à l'avant et à gauche du plafond du compartiment congélateur.



Réglage des thermostats

Lorsque le thermostat du congélateur est sur *OFF* (arrêt), ni le compartiment congélateur ni le compartiment réfrigérateur ne fonctionnent. Au départ, régler ces deux thermostats sur 4. Attendre 24 heures que les compartiments réfrigérateur ou congélateur atteignent la température désirée. Après 24 heures, modifier le réglage, d'un chiffre à la fois, s'il y a lieu. Le réglage le moins froid est 1 et le plus froid 7.

Régler les thermostats précisément à l'aide d'un thermomètre ménager dont la température s'échelonne entre -5° et 50° F (-21° et 10° C).

Placer le thermomètre au milieu des aliments surgelés dans le compartiment congélateur. Attendre 5 à 8 heures. Au bout de cette période de temps, s'il n'indique pas une température située entre 0° et 2° F (-17° et -16° C), ajuster le thermostat du congélateur d'un chiffre à la fois en revérifiant la température 5 à 8 heures plus tard.

Placer le thermomètre dans un verre d'eau au milieu du compartiment réfrigérateur. Attendre 5 à 8 heures. Au bout de cette période de temps, s'il n'indique pas une température située entre 38° et 40° F (3° et 4° C), ajuster le thermostat du réfrigérateur d'un chiffre à la fois en revérifiant la température 5 à 8 heures plus tard.

Composants du réfrigérateur

Tablettes du réfrigérateur

Les tablettes sont réglables en fonction des besoins de rangement. Certains modèles sont équipés de tablettes coulissantes et de tablettes qui retiennent les liquides qui débordent pour en faciliter le nettoyage.



ATTENTION

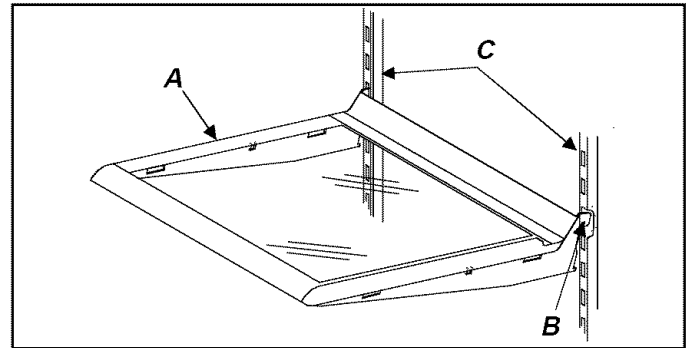
S'assurer que la tablette est stable avant d'y placer des articles afin d'éviter des dégâts.



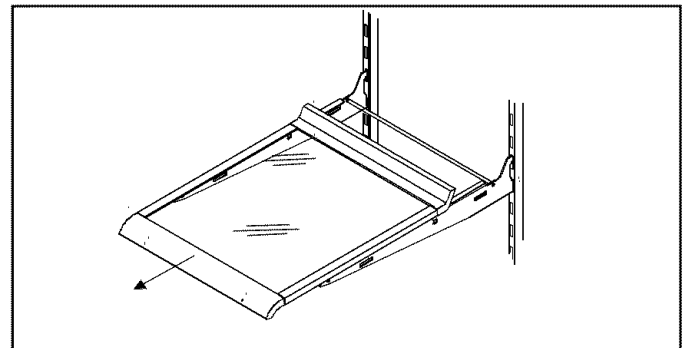
ATTENTION

Pour éviter tous dommages matériels ou blessures, manipuler les tablettes en verre trempé avec prudence. Celles-ci peuvent se briser brusquement si elles sont égratignées, ébréchées ou soumises à des changements brusques de température.

- Pour enlever les tablettes (**A**), en soulever l'avant et décrocher les crochets (**B**) de la crémaillère métallique (**C**), puis tirer.
- Pour remettre les tablettes (**A**) en place, insérer les crochets (**B**) sur la crémaillère métallique (**C**) et abaisser l'avant.



Les tablettes coulissantes peuvent être tirées comme un tiroir pour faciliter l'accès aux articles qui se trouvent à l'arrière.



Tiroir réglable (certains modèles)

- Enlever le tiroir et le manchon en le tirant et le soulevant. Consulter la rubrique Tablettes du réfrigérateur pour connaître les consignes de retrait et de remise en place de la clayette.
- Remettre le tiroir en place en le faisant glisser.

Bacs à légumes (sur certains modèles)

Les bacs à légumes gardent les légumes frais plus longtemps. Bien emballer les légumes. Ne pas les laver avant de les placer dans les bacs. L'humidité excessive peut faire en sorte que les légumes se gâtent prématurément. Ne pas étendre d'essuie-tout dans le fond des bacs car cela retient l'humidité.

La commande des bacs à légumes se trouve sous les moulures avant de la clayette. La commande permet de régler le taux d'humidité dans les tiroirs des bacs à légumes. Faire glisser la commande à *high* (élevé) pour les légumes feuillus tels que la laitue, les épinards ou le chou. Faire glisser la commande à *low* (faible) pour les légumes à peau tels que le chou-fleur, le maïs ou les tomates.

Retrait ou nettoyage du bac à légumes dans les appareils de 33 po :

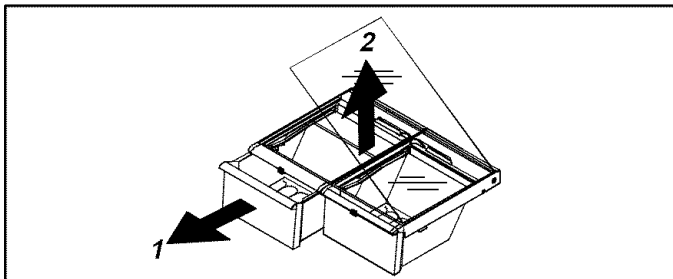
1. Retirer le bac à légumes se trouvant du côté de la poignée de l'appareil.



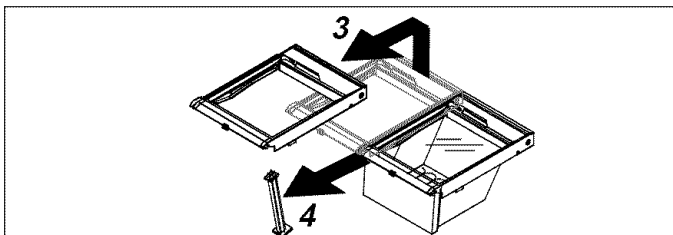
ATTENTION

Manipuler les tablettes en verre trempé avec soin pour éviter toutes blessures ou dégâts matériels. Les tablettes peuvent se briser soudainement si elles sont ébréchées, égratignées ou exposées à des changements soudains de température.

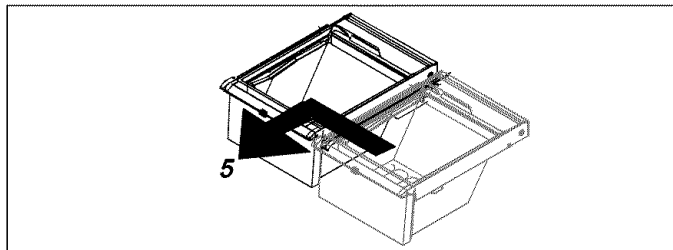
2. Retirer le dessus en verre du bac à légumes en le poussant doucement par en dessous. Incliner une extrémité vers le haut et tirer.



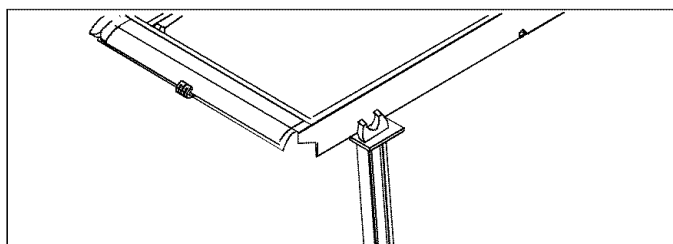
3. Soulever l'avant de la structure du bac à légumes et retirer celui-ci.
4. Soulever l'avant de l'autre partie du bac à légumes et retirer la tige de soutien du centre du plancher du réfrigérateur.



5. Pour éviter toute obstruction avec la porte, déplacer l'avant du bac à légumes vers la paroi opposée et retirer le bac.



6. Pour remettre les bacs à légumes et les tablettes en place, répéter les étapes 2 à 5 dans l'ordre inverse. **Remarque** : s'assurer que la structure du bac à légumes est bien insérée dans l'encoche de la partie supérieure de la tige de soutien lors de la remise en place du bac à légumes.



7. Faire glisser le dessus en verre du bac à légumes en place.

Bac à viande

Le bac à viande est doté d'un tiroir réglable qui procure de l'espace de rangement sous les clayettes anti-éclaboussures. Le tiroir peut être déplacé de gauche à droite dans le compartiment réfrigérateur pour faciliter le rangement.

1. Pour enlever le bac, le soulever et tirer vers soi. Retirer la tablette en soulevant l'avant, ce qui la dégage de la crémaillère, puis tirer.
2. Remettre la clayette en place en insérant les crochets dans la crémaillère en métal et en abaissant le devant de la clayette. Remettre le tiroir en place en le faisant glisser dans l'espace prévu à cette fin.

Système de bac à légumes et de bac à viande à température contrôlée (certains modèles)

La combinaison du bac à légumes et du bac à viande à température contrôlée permet de garder les aliments plus frais plus longtemps en créant un environnement contrôlable pour les légumes, la viande et les autres articles.

La conception du bac à viande et du bac à légumes permet de garder les aliments frais plus longtemps en créant un environnement contrôlée pour les légumes, la viande et les autres aliments.

Le tiroir de gauche (**A**) peut servir de bac à viande ou de bac à légumes.

Pour utiliser comme bac à légumes:

1. Régler la commande de température (*b*) à *COLD* (froid).
2. Régler la commande d'humidité (*a*) au niveau désiré selon le contenu.

3. Faire glisser la commande à **HIGH** (élevé) pour les légumes à feuilles tels que la laitue, les épinards ou le chou.
4. Faire glisser la commande à **LOW** (faible) pour les légumes à peau tels que le chou-fleur, le maïs ou les tomates.

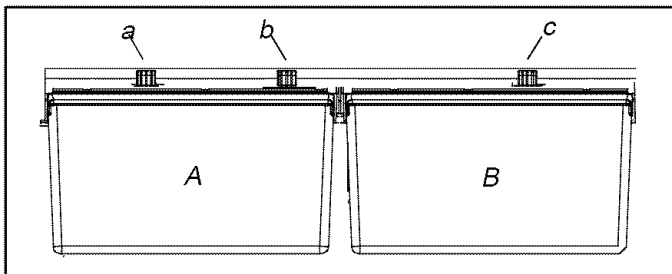
Pour utiliser comme bac à viande à température contrôlée:

1. Régler la commande d'humidité (*a*) à **HIGH**.
2. Régler la commande de température (*b*) à **COLD** pour une température normale dans le réfrigérateur et à **COLDER** (plus froid) pour une température plus froide. Le réglage de la commande de température (*b*) permet de faire circuler plus ou moins d'air du congélateur autour du bac. Des cristaux de glace peuvent se former sur le bac ou la nourriture lorsque le réglage est à **COLDER**.

Le tiroir de droite (**B**) peut être utilisé pour les légumes. Ce tiroir est doté d'une commande de réglage de l'humidité (*c*).

Pour utiliser comme bac à légumes (B):

1. Faire glisser la commande à **HIGH** (élevé) pour les légumes à feuilles tels que la laitue, les épinards ou le chou.
2. Faire glisser la commande à **LOW** (faible) pour les légumes à peau tels que le chou-fleur, le maïs ou les tomates.



ATTENTION

Pour éviter d'endommager le dispositif, prière de suivre attentivement les consignes d'installation et de retrait. Le non-respect ou l'inversion de l'ordre des consignes peut causer un bris ou un fonctionnement inadéquat de l'appareil.

ATTENTION

Manipuler les tablettes en verre trempé avec soin pour éviter toutes blessures ou dégâts matériels. Les tablettes peuvent se briser soudainement si elles sont ébréchées, égratignées ou exposées à des changements soudains de température.

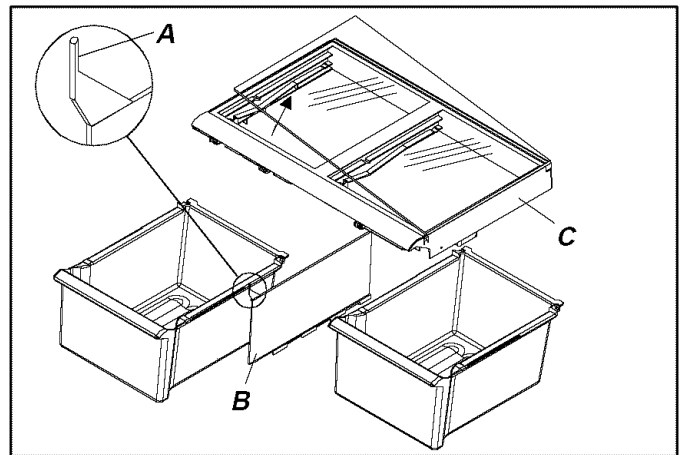
Procéder comme suit pour retirer le tiroir:

1. Ouvrir le bac à légumes gauche.
2. Retirer le bac à légumes en verre en le soulevant doucement par en dessous. Incline l'extrémité vers le haut et tirer.

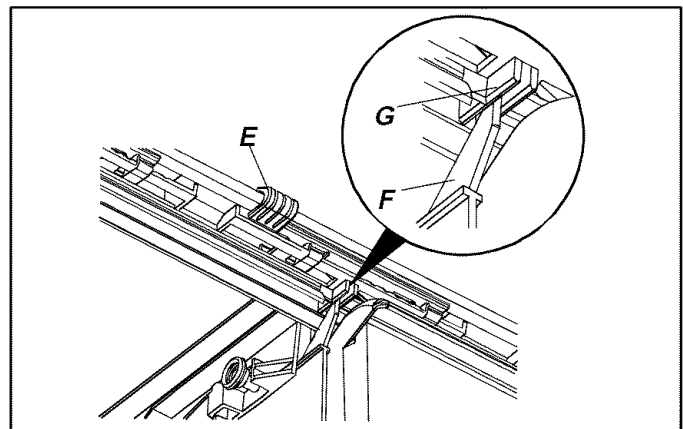
3. Régler le thermostat (**E**) situé sur la structure du bac à légumes à **COLD** (froid). Soulever le devant de la structure du bac à légumes (**A**) et retirer le séparateur en plastique (**B**). **S'assurer que la broche du séparateur (C) est détachée de la structure avant de la retirer de l'appareil.**
4. Faire glisser le bac à légumes hors de la crémaillère.
5. Pour retirer le bac à légumes (**A**), soulever les crochets (**D**) hors de la crémaillère en métal ou de la paroi arrière. Tirer hors du réfrigérateur.

Procéder comme suit pour remettre le tiroir en place:

1. Régler le thermostat (**E**) situé sur le cadre du bac à légumes à **COLD** (froid).
2. Accrocher le cadre du bac à légumes (**A**) à la crémaillère en métal sur la paroi arrière et abaisser le cadre dans les rainures du réfrigérateur.
3. Faire glisser les tiroirs en place.
4. Faire glisser le séparateur en plastique (**B**) dans la rainure située à la partie inférieure du réfrigérateur.



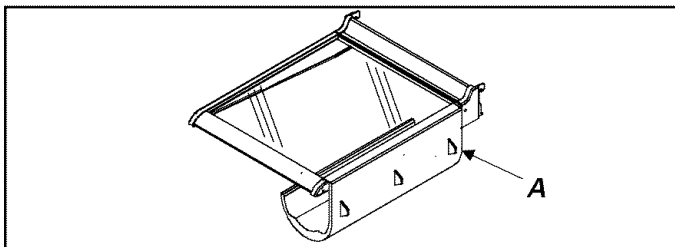
5. Abaisser le cadre de façon à ce que la broche du séparateur (**F**) s'ajuste dans l'ouverture (**G**) se trouvant sous la mouleure en plastique.
6. Placer la vitre recouvrant le bac à légumes sur le cadre de celui-ci.



Porte-bouteilles (certains modèles)

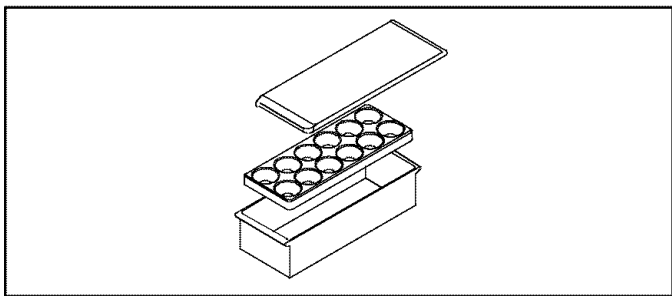
Le porte-bouteille (A) offre un rangement pratique pour les grandes bouteilles, les cartons d'œufs, etc.

- Pendre le porte-bouteille en le suspendant sur le côté de la tablette.



Bac utilitaire avec couvercle (certains modèles)

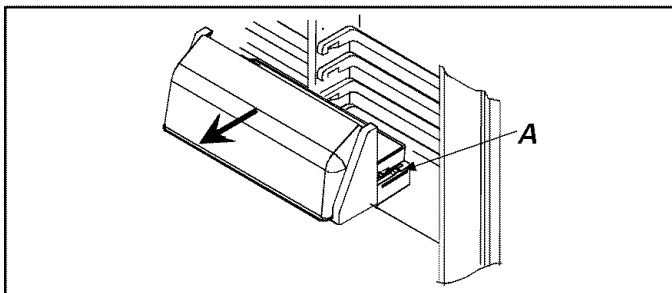
Le bac utilitaire est doté d'un couvercle et comporte un oeufrier amovible. Lorsque l'oeufrier est retiré, le bac peut recevoir des articles tels que carton d'œufs, glace, etc.



Casier laitier

Le casier offre un espace de rangement pratique pour les articles tels que le beurre, le fromage, etc.

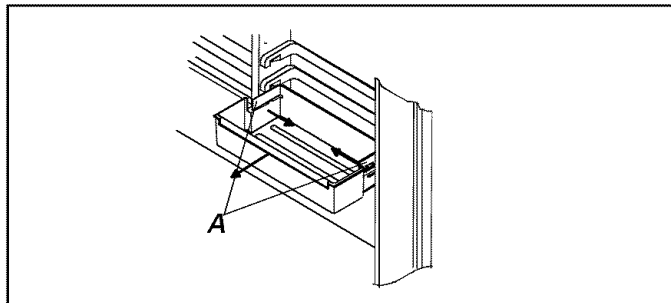
- Pour enlever le casier laitier, soulever la porte, pousser les pattes (A) de chaque côté de la tablette vers le bas et tirer.
- Pour remettre le casier laitier en place, le faire coulisser jusqu'à ce que les pattes se bloquent en place, puis abaisser la porte.



Bacs de porte

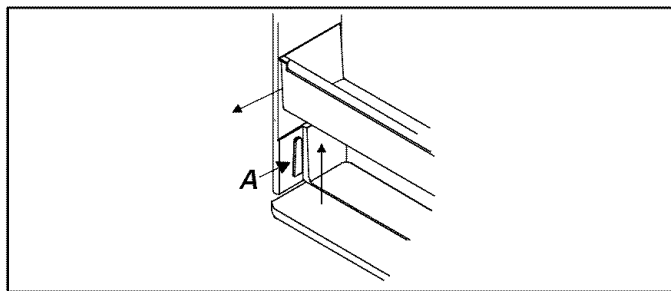
Les bacs sont réglables pour mieux répondre aux besoins individuels de rangement.

- Pour enlever les bacs de porte, pousser les pattes (A) de chaque côté de la tablette vers le centre et tirer vers soi.
- Pour remettre les bacs de porte, les glisser en place jusqu'à ce que les pattes (A) se bloquent.



Balconnets de porte

- Pour enlever les balconnets, soulever les extrémités et tirer.
- Pour remettre les balconnets en place, les emboîter sur le guide (A) et les abaisser.



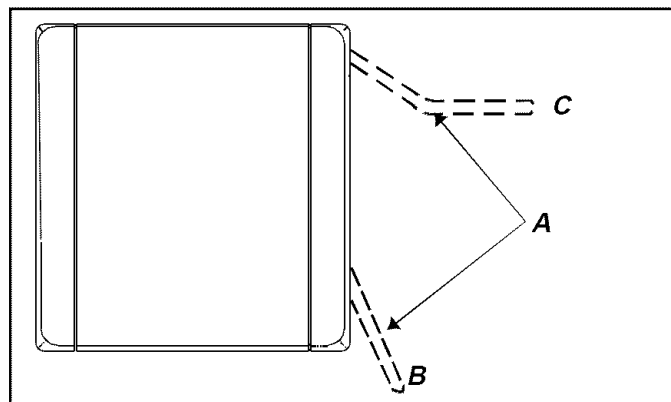
Composants du congélateur

Système auto-dégivrant

Aucune accumulation de glace ne peut se produire dans les compartiments réfrigérateur et congélateur. Le dégivrage est automatique et, dans des conditions d'utilisation normale, les compartiments réfrigérateur et congélateur n'auront jamais besoin d'être dégivrés.

Appareil à glace (certains modèles)

- Vérifier que le bac à glace est bien en place et que le bras-levier (A) de l'appareil à glace est abaissé (B).



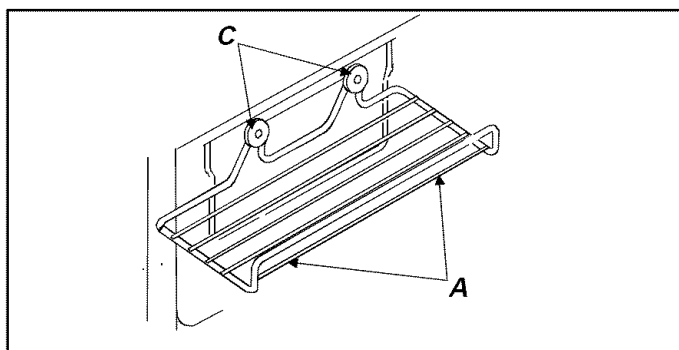
- Une fois que le compartiment congélateur atteint une température normale, l'appareil à glace se remplit d'eau et commence à fonctionner. Le laisser fonctionner 24 à 48 heures après son installation avant de prendre de la glace. Dans des conditions idéales, l'appareil à glace produit sept à neuf lots de glace par jour.
- Une fois les cubes de glace formés, l'appareil les verse dans le bac à glace. Au fur et à mesure que le bac à glace se remplit, le bras-levier de l'appareil se lève. Quand le bac à glace est plein, le bras-levier de l'appareil arrête la production de cubes de glace.

Remarque : Jeter les trois premiers lots de cubes de glace pour éviter la consommation d'impuretés qui ont pu rester dans la conduite après sa pose.

- Pour arrêter la production automatique de glace, soulever le bras-levier (**B**). Un « clic » se fait entendre quand la position voulue est atteinte. Le bras-levier de l'appareil à glace reste alors dans cette position jusqu'à ce qu'on l'abaisse.

Grille utilitaire à glaçons (certains modèles)

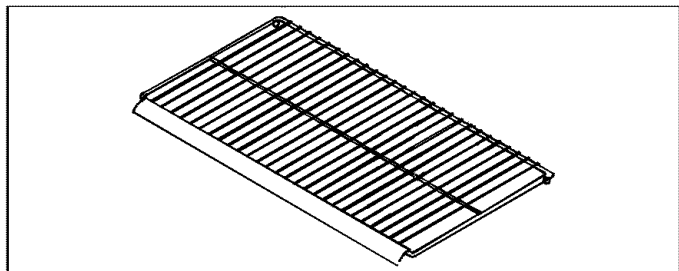
Pour installer la grille utilitaire (**A**) mettre sur les rondelles (**B**) et l'abaisser en place



Clayette métallique

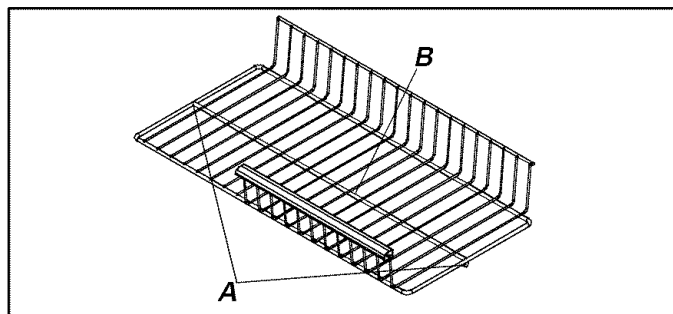
Certains modèles sont dotés d'une clayette métallique fixe.

- Pour enlever la clayette métallique, tirer vers soi. Donner un coup sec si nécessaire.
- Pour remettre la clayette métallique en place, la faire coulisser vers l'arrière jusqu'à ce qu'elle se bloque place.



Certains modèles comprennent une tablette coulissante facilitant l'accès aux articles se trouvant à l'arrière.

- Retirer la tablette coulissante en la faisant glisser vers l'avant jusqu'à ce que la pointe ronde (**A**) se trouvant sous la crémaillère centrale (**B**) s'enclenche dans la rainure de moulage.
- Saisir la tablette par la crémaillère centrale (**B**), la soulever, puis la retirer.
- Faire glisser la tablette jusqu'à ce que la pointe ronde (**A**) se place dans la rainure de moulage.



Séparateur de clayette vertical (certains modèles)

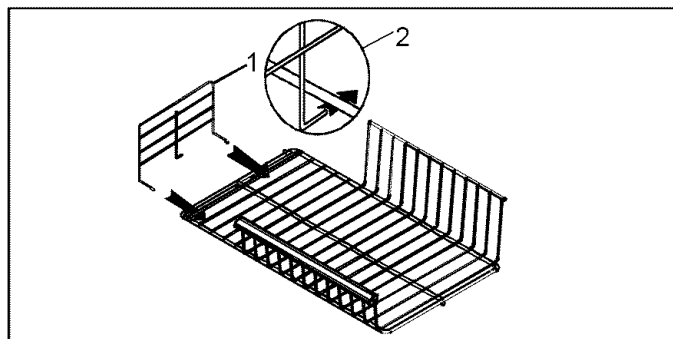
Certains tablettes coulissantes sont dotées d'un séparateur vertical amovible.

Pour installer le séparateur:

1. Faire glisser les pointes du séparateur de tablettes sous la grille désirées, légèrement à l'extérieur de l'axe de la crémaillère centrale.
2. Appuyer sur le dessus du séparateur et faire glisser le crochet sous la crémaillère centrale.

Pour retirer le séparateur:

- Appuyer sur dessus du séparateur et faire glisser le crochet hors de la crémaillère centrale.
- Tirer le séparateur pour dégager les dents de la grille.



ATTENTION

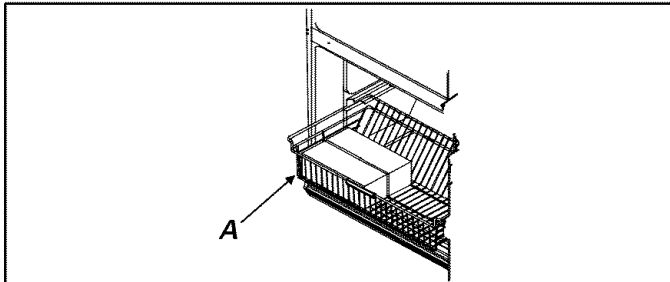
Pour éviter tous dommages matériels, s'assurer que la grille est fermement en place avant de mettre des articles dessus.

FRANÇAIS

Panier métallique

Les paniers métalliques (A) peuvent être tirés comme des tiroirs pour faciliter l'accès aux articles se trouvant vers l'arrière du compartiment.

- Pour enlever les paniers, les soulever et tirer.
- Pour remettre les paniers, les glisser en place.



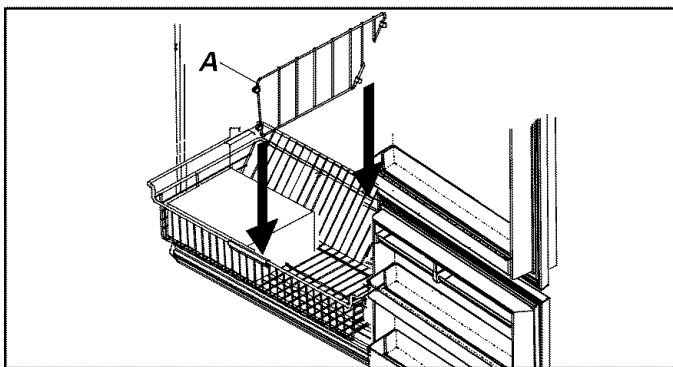
Séparateur de bac vertical (certains modèles)

Procéder comme suit pour installer le séparateur de bac vertical (A):

1. Faire glisser les pointes du séparateur de clayette sous la grille désirée, en les décentrant légèrement de la glissière centrale.
2. Appuyer sur le dessus du séparateur jusqu'à ce que celui-ci atteigne le fond du bac.

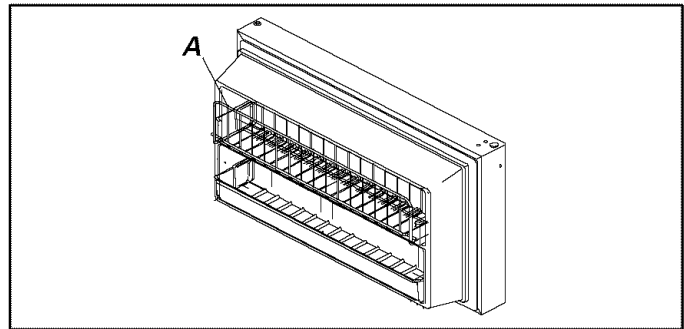
Pour retirer le séparateur:

1. Saisir le dessus du séparateur et le tirer vers le haut.



Bac inclinable (certains modèles)

Le bac inclinable (A) est pratique pour le rangement d'aliments dans la porte du congélateur. Il bascule vers l'avant pour faciliter l'accès à son contenu.



Tiroirs coulissants (certains modèles)

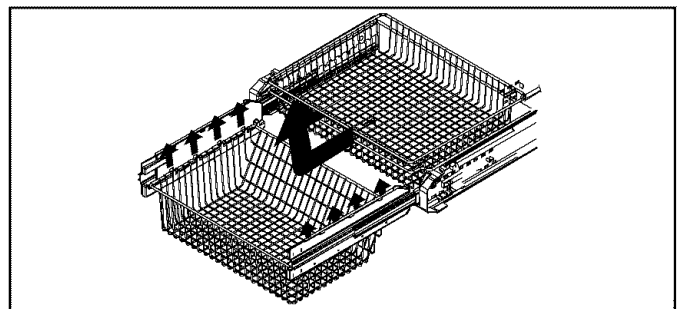
(La porte du tiroir n'apparaît pas dans l'illustration pour fins déclarée visuelle.)

Les tiroirs coulissants ne sont disponibles que sur les modèles à tiroir de congélateur coulissant. Retrait et remise en place du panier supérieur supérieur:

- Retirer le panier en le tirant au complet et en le soulevant.
- Remettre le panier en place en le faisant glisser dans le compartiment supérieur du congélateur.

Retrait et remise en place du panier inférieur:

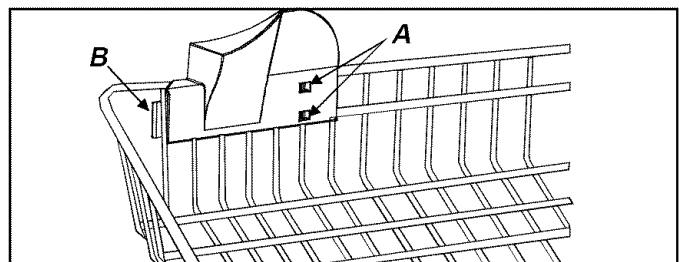
- Retirer le panier en le soulevant des guides des crémaillères.
- Remettre le panier en le plaçant sur les guides des crémaillères.



Anti-givre (certains modèles)

L'anti-givre se trouve à l'arrière du tiroir coulissant pour empêcher la glace de tomber derrière le panier. Pour retirer et remettre en place l'anti-givre:

- Faire glisser l'anti-givre vers la droite pour relâcher les crochets (A) des grilles métalliques verticales.
- Pour le remettre en place, faire glisser l'attache (B) tel qu'indiqué.



Entretien et nettoyage



WARNING

Pour éviter tout risque d'électrocution pouvant causer des blessures graves voire mortelles, débrancher le réfrigérateur avant de le nettoyer. Une fois le nettoyage effectué, rebrancher l'appareil.



ATTENTION

Pour éviter tous dommages matériels ou blessures, lire et suivre toutes les consignes des fabricant concernant le nettoyage.

Général

Voir la section Nettoyage de l'acier inoxydable si les portes sont en acier inoxydable.

1. Nettoyer les surfaces avec 4 c. à table de bicarbonate de soude dissout dans un litre d'eau tiède et un linge doux et propre.
 2. Rincer les surfaces à l'eau tiède et les essuyer avec un linge doux et propre.
 - Ne pas utiliser les articles suivants:
 - produits nettoyants abrasifs ou décapants, ammoniacs, javellisants, etc.
 - détergents ou solvants concentrés
 - tampons à récurer métalliques
- Ces articles peuvent égratigner, craqueler ou décolorer les surfaces.
- Ne pas placer les bacs, clayettes, etc. dans le lave-vaisselle.

Nettoyage de l'acier inoxydable

La garantie ne couvre pas les dommages causés à la finition en acier inoxydable suite à un usage inadéquat ou non recommandé des produits de nettoyage.

1. Nettoyer les surfaces avec de l'eau chaude savonneuse et un linge propre et doux ou une éponge.
2. Rincer les surfaces avec de l'eau chaude. Les essuyer avec un linge propre et doux.
 - Ne pas utiliser les produits de nettoyage trop puissants qui suivent:
 - produits de nettoyage acides ou abrasifs (ammoniac, javellisants, produits à base de vinaigre, etc.)
 - produits de nettoyage à base de citron
 - tampons à récurer (métalliques, en plastique texturé, etc.)

Ils peuvent égratigner, décolorer ou ternir les surfaces en permanence.

3. Rincer, puis sécher immédiatement avec un linge propre et doux. Cela évitera que l'eau ne fasse des taches sur la finition en acier inoxydable.

Adhésifs

1. Enlever les résidus de colle en frottant l'adhésif avec du dentifrice jusqu'à ce que celui-ci se décolle.
2. Rincer les surfaces à l'eau tiède. Essuyer la surface avec un linge doux et propre.

Joint de porte

1. Nettoyer les joints de porte tous les 3 mois conformément aux instructions de la section "Général".

Bobine de condensateur

Nettoyer la bobine de condensateur tous les 3 mois afin d'assurer un rendement maximum du réfrigérateur. La poussière accumulée et les peluches peuvent entraîner les problèmes suivants :

- refroidissement moins efficace
 - consommation d'énergie plus élevée
 - défaillance de pièce prématurée
1. Enlever la grille en tenant les extrémités et en tirant vers l'avant.
 2. Nettoyer la surface avant de la bobine du condensateur avec le suceur d'un boyau d'aspirateur.
 3. Replacer la grille en insérant les attaches dans les trous et en les mettant en place avec un claquement.
 4. Soulever le pied de stabilisation (sur certains modèles) en le tournant dans le sens antihoraire.



ATTENTION

Pour éviter tous dégâts matériels, recouvrir le plancher en vinyle mou ou tout autre type de plancher avec du carton, des tapis ou autre matériel de protection.

5. Éloigner le réfrigérateur du mur. Passer la brosse de l'aspirateur sur la grille, au dos du réfrigérateur.

Clayettes en verre



ATTENTION

Pour éviter tous dégâts matériels ou toutes blessures corporelles, manipuler les clayettes en verre trempé avec soin. Celles-ci peuvent casser soudainement si elles sont entaillées, égratignées ou exposées à un changement soudain de température.

Enlever la clayette en soulevant le devant, en relâchant les crochets de la tringle en métal, puis en tirant. Placer la clayette sur une serviette. La laisser s'adapter à la température ambiante avant de procéder au nettoyage.

Nettoyer les fentes en suivant ces étapes:

1. Diluer un détergent doux et appliquer la solution à l'intérieur des fentes en brossant celles-ci à l'aide d'une à poils en plastique. Laisser pénétrer durant 5 minutes.
2. Vaporiser de l'eau tiède à l'intérieur des fentes à l'aide d'un vaporisateur conçu à cet effet.
3. Sécher la clayette à fond et replacer celle-ci en insérant les crochets dans la tringle en métal et en rabaisant le devant.

Suppression des odeurs

1. Enlever toute la nourriture et débrancher le réfrigérateur.
2. Nettoyer toutes les surfaces intérieures, notamment la partie supérieure, la partie inférieure et les parois conformément aux instructions « générales ». Porter une attention spéciale aux coins, fissures et rainures, de même qu'aux tiroirs, clayettes et joints.

- Nettoyer et essuyer toutes les bouteilles, tous les contenants et les pots avant de remettre la nourriture dans le réfrigérateur. Emballer la nourriture dans des récipients scellés hermétiquement afin de prévenir l'émanation d'odeurs. Après 24 heures, vérifier si l'odeur persiste toujours.

Si l'odeur persiste, procéder de la façon suivante:

- Recommencer les étapes 1 et 2.
- Placer les légumes croquants du jardin sur la clayette supérieure du compartiment Aliments frais. Recouvrir les compartiments Aliments frais et congélateur, notamment les portes, avec des feuilles de papier journal noir et blanc chiffonnées.
- Disposer les briquettes de charbon de bois un peu partout sur le papier journal.
- Fermer les portes et laisser en place durant 24 à 48 heures.
- Enlever les briquettes de charbon de bois et les journaux.
- Recommencer les étapes 2 et 3.

Si l'odeur n'a toujours pas été éliminée, contacter un centre de service après-vente Sears.

Remplacement des ampoules électriques

MISE EN GARDE

Pour éviter des blessures graves ou le décès par électrocution, débrancher le réfrigérateur avant de remplacer l'ampoule. Une fois l'ampoule remplacée, rebrancher le réfrigérateur.

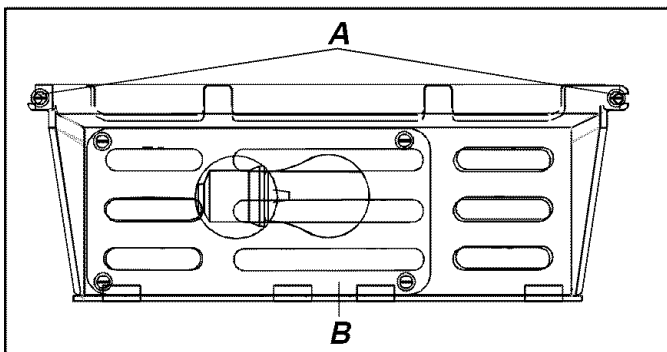
ATTENTION

Pour éviter tous dommages matériels ou blessures, procéder comme suit:

- Laisser l'ampoule refroidir.
- Porter des gants pour remplacer l'ampoule.

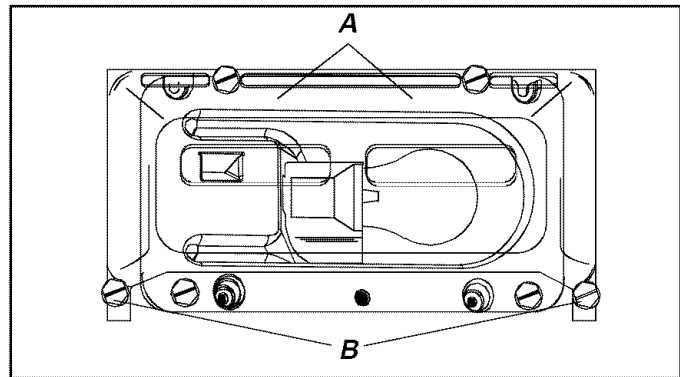
Ampoules électrique de réfrigérateur

- Retirer le couvre-ampoule (**B**) en enlevant les vis (**A**) à tête hexagonale de 1/4 po (6 mm). Remplacer par une ampoule n'excédant pas 60 watts.
- Remettre le couvre-ampoule (**B**) en place en remettant les vis (**A**) à tête hexagonale de 1/4 po (6 mm) en place.



Ampoules électrique de congélateur

- Retirer le couvre-ampoule (**B**) en enlevant les vis (**A**) à tête hexagonale de 1/4 po (6 mm). Remplacer par une ampoule n'excédant pas 60 watts.
- Remettre le couvre-ampoule (**B**) en place en remettant les vis (**A**) à tête hexagonale de 1/4 po (6 mm) en place.



Conseils pour les vacances

Pour les vacances de courte durée, procéder comme suit :

- Enlever les denrées périssables.
- Si le réfrigérateur est équipé d'un appareil à glace, placer le bras-levier en position *off* (*position d'arrêt*). (Voir la partie « Appareil à glace ».)

Pour les vacances de longue durée, procéder comme suit :

- Enlever les aliments des compartiments congélateur et réfrigérateur.
- Débrancher l'appareil.
- Nettoyer l'appareil, joints compris, en suivant les indications générales fournies dans la section « Entretien » du manuel.
- Ouvrir et bloquer les portes de façon à ce que l'air circule à l'intérieur des compartiments.
- Si le réfrigérateur est équipé d'un appareil à glace, couper l'alimentation en eau à l'appareil et mettre le bras-levier en position *off* (*arrêt*). (Voir la partie « Appareil à glace ».) Conseils pour des économies

Conseils pour des économies d'énergie

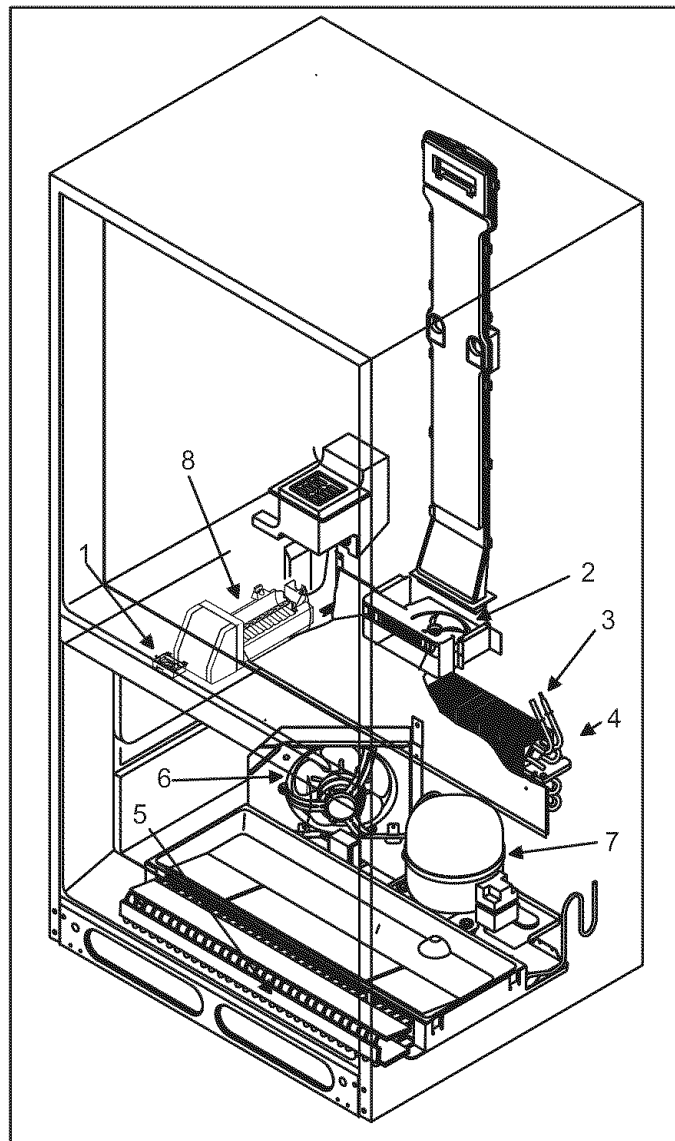
- Faire fonctionner le réfrigérateur à température normale, de 55° à 110° F (13° à 43° C), loin de toute source de chaleur ou de la lumière directe du soleil.
- Régler le thermostat des compartiments congélateur et réfrigérateur et du bac à viande à température contrôlée sur un réglage qui ne soit pas à une température plus froide que nécessaire.
- Garder le compartiment congélateur plein.
- Garder les joints des portes propres et souples. Les remplacer s'ils sont usés.
- Garder les serpentins du condenseur propres.

Bruits normaux

Ce réfrigérateur peut remplacer un modèle d'une conception différente, à plus grande consommation en électricité ou plus petit. Les réfrigérateurs actuels sont dotés de nouveaux composants et de nouvelles fonctions et ils consomment moins d'électricité. Il en résulte qu'ils peuvent produire des bruits qui ne vous sont pas familiers. Ces bruits sont normaux et vous serez rapidement familiers. Ils indiquent également que le réfrigérateur est en marche et qu'il fonctionne comme prévu.

1. **Le thermostat du congélateur** produit un « clic » lors de la mise en marche et de l'arrêt du compresseur.
2. **Le ventilateur du congélateur** ronronne et l'air brassé produit un certain bruit.
3. **Le système de réfrigération scellé** (évaporateur/échangeur de chaleur) contient du liquide réfrigérant qui fait différents bruits de liquide, y compris celui de l'eau qui bout.
4. **La résistance de dégivrage** grésille, siffle ou produit des claquements.
5. **La minuterie du dégivrage** produit un bruit de minuterie et des déclics relativement bruyants lorsqu'elle enclenche ou arrête le cycle de dégivrage.
6. **Le ventilateur du condenseur** ronronne et l'air brassé produit un certain bruit.
7. **Le compresseur** produit un ronronnement aigu ou des bruits de pulsations. Il s'arrête et redémarre.
8. **Les cubes de glace** de l'appareil à glace (certains modèles) tombent dans le bac à glace.
9. **L'électrovanne de l'appareil à glace** (certains modèles) produit un ronronnement lorsque l'appareil à glace se remplit d'eau. Ce bruit se produit que le réfrigérateur soit relié à l'alimentation en eau ou non. Si le réfrigérateur n'est pas relié à l'alimentation en eau, arrêter le bruit en levant le bras-levier de l'appareil à glace en position « off » (arrêt). Le raccordement de l'électrovanne se trouve derrière le ventilateur du condenseur, à l'arrière du réfrigérateur.

Remarque : La mousse est un excellent isolant sur le plan thermique et de la consommation d'électricité. Ce n'est cependant pas un isolant acoustique aussi efficace que la fibre de verre, qui était utilisée auparavant dans les réfrigérateurs.



Avant d'appeler le service de dépannage

Problème	Solution
Le réfrigérateur ne fonctionne pas.	<ul style="list-style-type: none"> • Vérifier que le thermostat du compartiment congélateur est sur un réglage de marche. • Vérifier que le réfrigérateur est branché. S'il ne l'est pas, brancher fermement le cordon dans une prise sous tension de la tension qui convient. • Vérifier le fusible ou le disjoncteur. Brancher un autre appareil dans la prise murale. S'il ne fonctionne pas, remplacer le fusible ou réenclencher le disjoncteur. • Si le thermostat est sur un réglage de marche, que la lumière s'allume mais que les deux ventilateurs et le compresseur ne fonctionnent pas, il se peut que le réfrigérateur soit en cycle de dégivrage. Attendre 40 minutes et vérifier si le réfrigérateur s'est remis en marche.
Le réfrigérateur ne fonctionne toujours pas.	<ul style="list-style-type: none"> • Débrancher le réfrigérateur. Transférer son contenu dans un autre réfrigérateur ou mettre de la glace carbonique dans le compartiment congélateur pour protéger la nourriture. Appeler le service de dépannage.
Les denrées ne semblent pas assez froides.	<ul style="list-style-type: none"> • Voir les points ci-dessus. • Laisser à l'appareil suffisamment de temps pour que les aliments non froids récemment ajoutés puissent atteindre la température voulue dans les compartiments réfrigérateur ou congélateur. L'ajout de nourriture augmente la température dans le réfrigérateur et celui-ci peut prendre quelques heures avant de revenir à sa température de fonctionnement normale. • Vérifier que les joints assurent la fermeture hermétique des portes. • Nettoyer le serpentin du condenseur. Voir sous "Serpentins du condenseur" dans la partie "Entretien". • Ajuster le thermostat des compartiments réfrigérateur et congélateur. Voir sous "Réglage des thermostats" dans la partie "Commandes". • La lumière du compartiment réfrigérateur ou congélateur reste allumée. Le cas échéant, retirer l'ampoule et appeler le service après-vente. • Les orifices de ventilation sont bloqués, ce qui réduit la circulation d'air. Les localiser en passant la main pour sentir d'où l'air vient et déplacer les paquets qui bloquent les orifices de ventilation et ainsi la circulation d'air.
Le bac à viande est à une température insuffisamment froide.	<ul style="list-style-type: none"> • Mettre le thermostat sur un réglage plus froid. • Mettre le thermostat du compartiment congélateur sur un réglage plus froid. Voir sous "Réglage des thermostats" dans la partie "Commandes".
Les denrées sont trop froides.	<ul style="list-style-type: none"> • Nettoyer le serpentin du condenseur. Voir sous "Serpentins du condenseur" dans la partie "Entretien". • Ajuster le thermostat du compartiment réfrigérateur. Voir sous "Réglage des thermostats" dans la partie "Commandes". • Mettre le thermostat du compartiment congélateur sur un réglage moins froid. Voir sous "Réglage des thermostats" dans la partie "Commandes". Attendre plusieurs heures que la température se stabilise.
Le réfrigérateur se met en marche trop fréquemment.	<ul style="list-style-type: none"> • Cela peut être nécessaire pour maintenir la température au niveau désiré. • Les portes ont pu être ouvertes trop souvent ou trop longtemps. Lorsque la porte est ouverte, l'air chaud et humide pénètre dans le réfrigérateur. Plus la porte est ouverte, plus le réfrigérateur a d'air chaud à refroidir. • Laisser à l'appareil suffisamment de temps pour que des aliments non froids récemment ajoutés puissent atteindre la température voulue dans les compartiments réfrigérateur ou congélateur. Il peut falloir plusieurs heures avant que le réfrigérateur ne retourne à sa température normale. • Nettoyer le serpentin du condenseur. Voir sous "Serpentins du condenseur" dans la partie "Entretien". • Ajuster le thermostat du compartiment congélateur. Voir sous "Réglage des thermostats" dans la partie "Commandes". • Vérifier que les joints assurent la fermeture hermétique des portes. • La lumière du compartiment congélateur reste allumée. • Le cas échéant, retirer l'ampoule et appeler le service après-vente.
Des gouttes d'eau se forment à l'intérieur du réfrigérateur.	<ul style="list-style-type: none"> • Ceci est normal pendant les périodes de forte humidité ou si les portes sont fréquemment ouvertes. • Bien enrober les aliments et essuyer les récipients humides avant de les placer dans le réfrigérateur afin d'éviter toute accumulation d'humidité.
Des gouttes d'eau se forment à l'extérieur du réfrigérateur.	<ul style="list-style-type: none"> • Vérifier que les joints des portes ferment hermétiquement. • Ceci est normal pendant les périodes de forte humidité ou si les portes sont fréquemment ouvertes.

Avant d'appeler le service de dépannage

Problème	Solution
Les tiroirs ne se ferment pas facilement.	<ul style="list-style-type: none"> • Vérifier si un emballage empêche le tiroir de fermer correctement. • S'assurer que le tiroir est en place. • Nettoyer les cannelures du tiroir avec de l'eau tiède savonneuse. Rincer et sécher à fond. • Appliquer une mince couche de gelée de pétrole dans les cannelures du tiroir. • S'assurer que le réfrigérateur est de niveau.
Une odeur persiste dans le réfrigérateur.	<ul style="list-style-type: none"> • Voir les instructions "Suppression des odeurs" dans la section "Entretien et nettoyage".
Le réfrigérateur ou l'appareil à glaçons (sur certains modèles) émettent des sons peu familiers ou trop bruyants.	<ul style="list-style-type: none"> • Cela est peut-être normal. Voir la section "Bruits de fonctionnement normaux".
L'appareil à glaçons (sur certains modèles) ne fabrique pas de glaçons.	<ul style="list-style-type: none"> • La pression de l'eau peut être trop faible ou trop élevée. L'appareil à glace exige une pression de l'alimentation en eau de 20 à 100 psi (138 à 827 kPa) pour fonctionner correctement. • S'assurer que le bras de l'appareil à glaçons est tourné vers le bas. • S'assurer que l'alimentation en eau domestique atteint la soupape d'eau. • Un robinet auto-taradeur ou un robinet à étrier de $\frac{3}{16}$ po (5mm) a été utilisé pour le raccordement. L'une comme l'autre réduisent le débit d'eau et peuvent se boucher au fil des années. Les remplacer par un robinet d'arrêt évitant le percement d'un trou de $\frac{1}{4}$ po (6mm) dans la conduite d'alimentation en eau avant d'y fixer le robinet. • S'assurer que le faisceau de l'appareil à glaçons est complètement inséré dans les trous appropriés. • Vérifier s'il le tuyau de plastique ou de cuivre comporte des entortillements. Défaire les entortillements ou remplacer le tuyau. • Vérifier les raccords électriques de la bobine de soupape d'eau et du bloc de raccordement sur le meuble du réfrigérateur. • S'assurer que la section congélateur fonctionne à la température appropriée.
Les glaçons dégagent une odeur.	<ul style="list-style-type: none"> • Voir les instructions "Enlèvement des odeurs" dans la section "Entretien et nettoyage". • Jeter la glace et nettoyer le seau à glace ou les bacs à glaçons plus fréquemment. Les glaçons sont poreux et absorbent les odeurs facilement.
Les glaçons collent les uns aux autres ou "rétrécissent".	<ul style="list-style-type: none"> • Vider le seau à glace ou les bacs à glaçons plus fréquemment. Si on les laisse trop longtemps dans le congélateur, les glaçons collent les uns aux autres ou rétrécissent.
De la glace se forme dans le tuyau d'entrée de l'appareil à glaçons (sur certains modèles)	<ul style="list-style-type: none"> • Vérifier la pression d'eau. Une pression d'eau trop faible cause des fuites dans la soupape. Les soupapes qui se percent d'elles-mêmes font diminuer la pression d'eau. • Un robinet auto-taradeur ou un robinet à étrier de $\frac{3}{16}$ po (5mm) a été utilisé pour le raccordement. L'une comme l'autre réduisent le débit d'eau et peuvent se boucher au fil des années. Les remplacer par un robinet d'arrêt évitant le percement d'un trou de $\frac{1}{4}$ po (6mm) dans la conduite d'alimentation en eau avant d'y fixer le robinet.

For in-home major brand repair service:
Call 24 hours a day, 7 days a week

1-800-4-MY-HOMESM (1-800-469-4663)

Para pedir servicio de reparación – 1-800-676-5811

Au Canada pour tout le service – 1-877-LE FOYERSM (1-877-533-6937)

For the repair or replacement parts you need:
Call 6 a.m. – 11 p.m. CST, 7 days a week

PartsDirectSM

1-800-366-PART (1-800-366-7278)

www.sears.com/partsdirect

Para ordenar piezas – 1-800-659-7084

For a Sears Service Center location in your area:
Call 24 hours a day, 7 days a week

1-800-488-1222

For a Sears Maintenance Agreement purchase or inquiry:
Call 7 a.m.–5 p.m. CST, Monday–Saturday

1-800-827-6655

