

Karran[®]

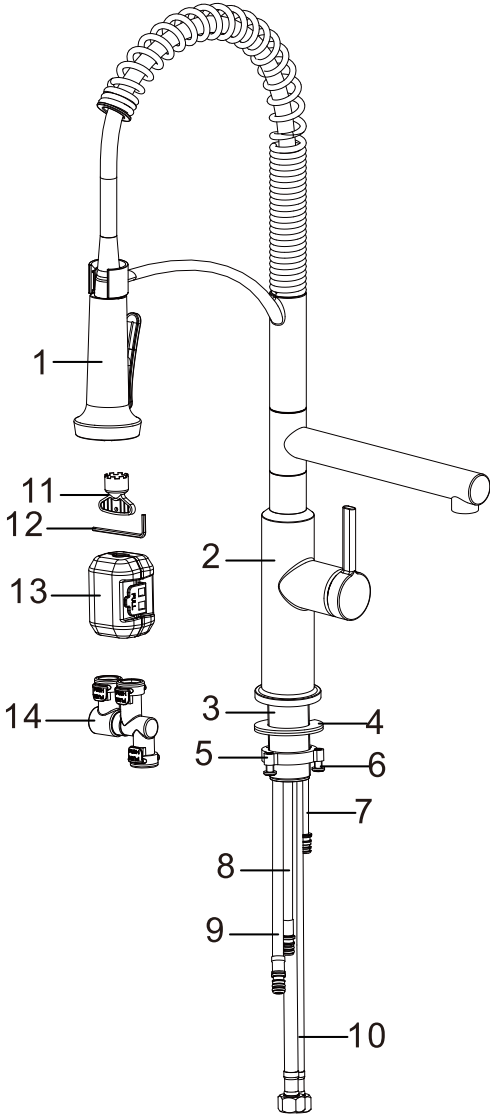
INSTALLATION GUIDE



Adlington

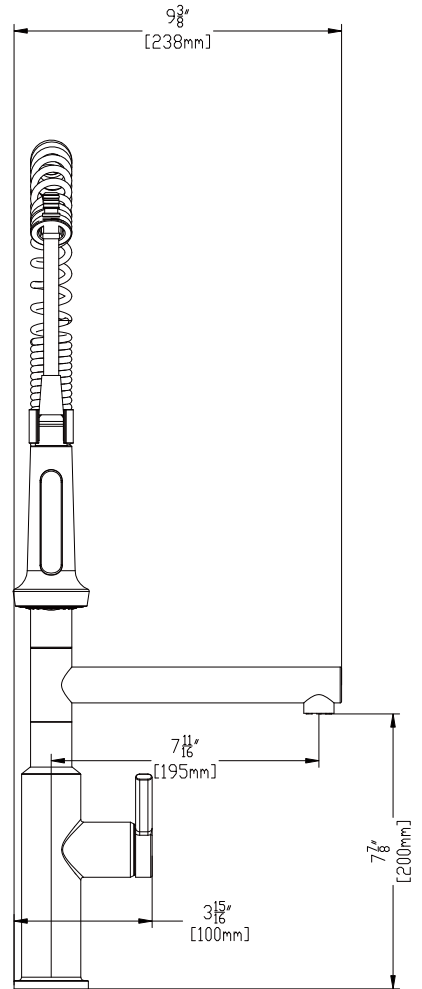
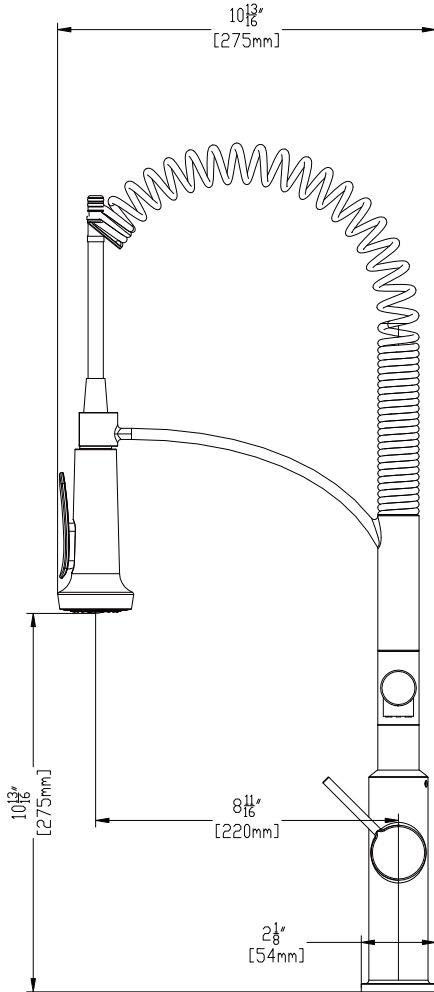
Models: KKF360GG KKF360MB
KKF360SS



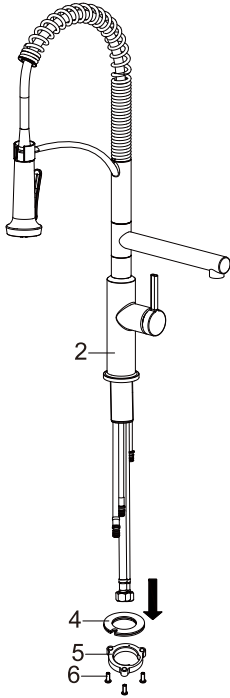


1	Spray Head
2	Faucet Body
3	Threaded Shank
4	Rubber & Metal Washer
5	Mounting Nut
6	Mounting Screw
7	Copper pipe
8	Flexible Hose
9	Pull-out Hose
10	Supply Hose
11	Aerator Wrench
12	Allen Wrench
13	Weight
14	Quick Connect Assembly



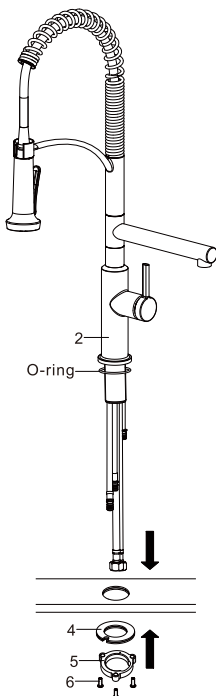


INSTALLATION GUIDE



STEP 1

1. Remove the mounting nut (#5), rubber&metal washer (#4) from the faucet body (#2).



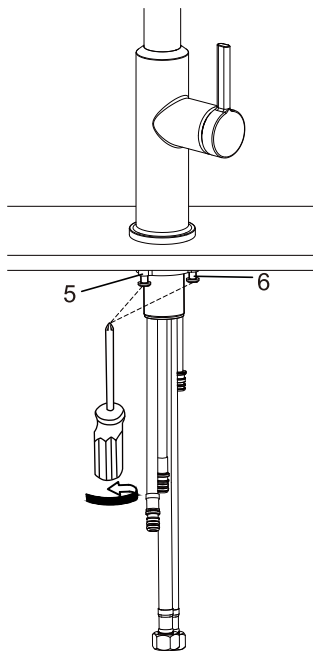
STEP 2

2. Verify the O-ring is in place. Insert the faucet body (#2) into the hole, re-fix the rubber&metal washer (#4), mounting nut (#5) and mounting screws (#6) .

INSTALLATION GUIDE

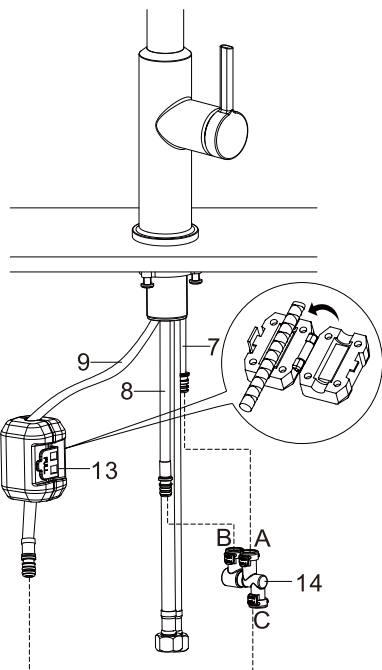
STEP 3

3. After adjusting the direction of the faucet body, tighten the mounting nut (#5) with hands and tighten the mounting screws (#6) with a Philips screwdriver.



STEP 4

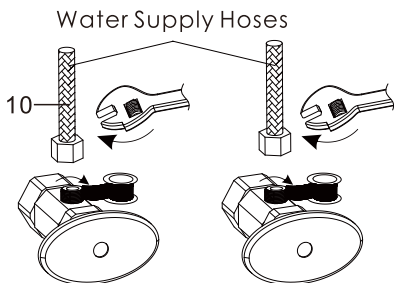
4. Firstly connect the flexible hose (#8) to B of quick connect assembly (#14), then insert copper pipe (#7) to A of quick connect assembly (#14), attach the hose weight (13) to the pull-out hose (#9) and connect it to C of the quick connect assembly (#14). After installation, pull the whole quick connect assembly (#14) to one side (as shown in the figure), to avoid weight (#13) hitting the whole quick connect assembly (#14) when pulled up and down.



INSTALLATION GUIDE

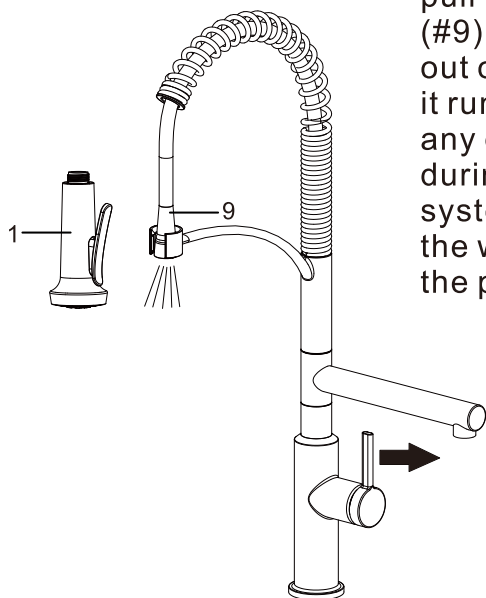
STEP 5

5. Apply Teflon tape onto the threads of the faucet water supplies in a clockwise direction. Tighten the water supply tubes onto the water supply shut offs. Be sure to connect the cold water supply tube to the cold water supply valve (typically on the right) and the hot water supply tube to the hot water supply valve (typically on the left). Use a wrench (as shown) to tighten the nut.

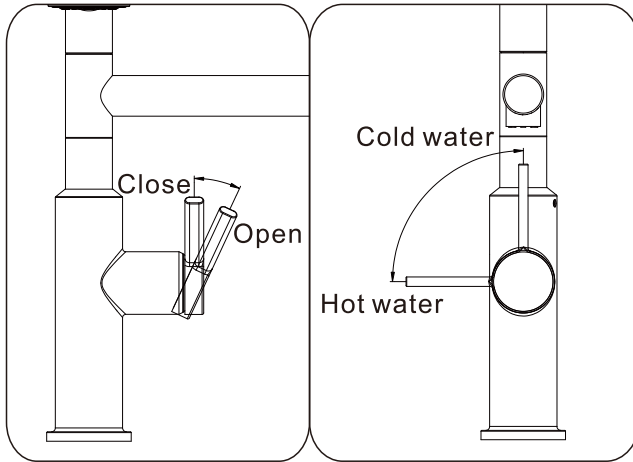


STEP 6

6. Unscrew the spray head (#1) from the pull-out hose(#9). Hold the pull-out hose (#9) in the sink to avoid spraying water out of the sink. Turn on the water and let it run for one minute. This will help clear any debris that may have come loose during installation and prevent the system from becoming clogged. Turn off the water, screw the spray head (#1) onto the pull-out hose(#9).



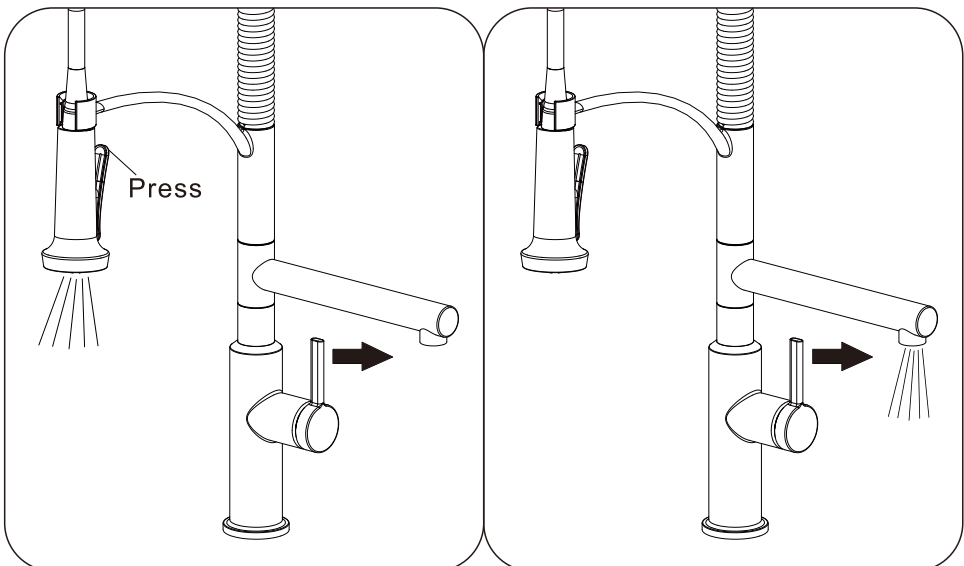
How to operate the handle:



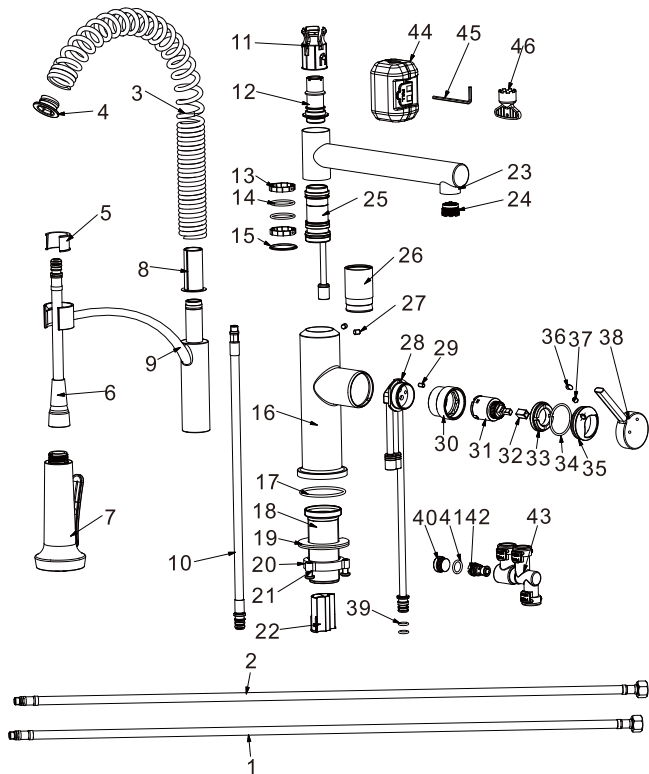
1. Open the handle lever to turn water on. Push to turn off.
2. Turn the handle lever to the left to increase hot water flow. Lower the water temperature by operating reversely.

The operation of the spray head and spout:

1. Press the button and water flows out of the spray head.
2. Not press button, water comes from spout.



REPLACEMENT PARTS



No.	Description	Finish/Color	Item No.
1	Supply Hose		G69703SR04
2	Supply Hose		G69703SR05
3	Spring Spout	SS,MB,GG	50G569189
4	Adapter	SS,MB,GG	5ZJ569189
5	Holder Sleeve	SS,MB,GG	8THYK000
6	Pull-out Hose	SS,MB,GG	H569183A
7	Spray Head	SS,MB,GG	F1535
8	Wearing Ring		5SJ569102
9	Spray Head Holder	SS,MB,GG	50D569194
10	Quick Connect Hose		G569194
11	Wearing Ring		5SJ569110
12	Adapter		5YJ569194
13	Ring		89T58000
14	O-ring		8J27X2A
15	Wearing Ring		5SJ569194
16	Body	SS,MB,GG	50T569194
17	O-ring		8J50X25
18	Threaded Shank		84T569168
19	Rubber & Metal Washer		N56U26
20	Mounting Nut		9NM56Z55
21	Mounting Screw		8RM6X15
22	Hose Guide		5HT56068
23	Spout	SS,MB,GG	50G569194DQ
24	Aerator		81M18523NP3
25	Connector		51T569194DQ
26	Sleeve		53T569194
27	Screw		8CM5X7RB
28	Cartridge Seat		52T569194DQ
29	Screw		8AM4X6
30	Cartridge Housing		51T569059
31	Cartridge		J10250MZ07
32	Adapter		82P25WUJ3
33	Lock Nut		5YG569067
34	O-ring		8J35X2A
35	Trim Cap	SS,MB,GG	8ZG569067
36	Handle Button		80N168073
37	Screw		8CM5X6RB
38	Handle	SS,MB,GG	80P25VGY2
39	O-ring		8J11X2A
40	End Cap		54T569194
41	O-ring		8J15X2A
42	Diverter		J5A002
43	Quick Connect Assembly		6SJ569194
44	Weight		5QQ569113
45	Allen Wrench		8BS25
46	Aerator Wrench		80P00023

*Denotes faucet component color options:
 SS - Stainless Steel
 MB - Matte Black
 GG - Gunmetal Grey

