

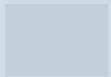


User Guide

Quality, Design and Innovation



[home.liebherr.com/fridge-manuals](http://home.liebherr.com/fridge-manuals)





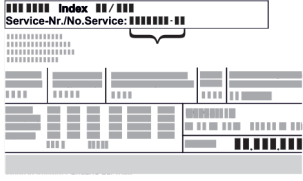




# LIEBHERR

# Contents

|          |  |           |
|----------|--|-----------|
| <b>1</b> | <b>General safety instructions.....</b>            | <b>3</b>  |
| <b>2</b> | <b>Appliance at a glance.....</b>                  | <b>4</b>  |
| 2.1      | Scope of supply.....                               | 4         |
| 2.2      | Overview of the appliance and equipment.....       | 4         |
| 2.3      | Special features.....                              | 4         |
| 2.4      | Range of use of appliance.....                     | 4         |
| 2.5      | Appliance noise emissions.....                     | 5         |
| 2.6      | Conformity.....                                    | 5         |
| 2.7      | SVHC substances according to REACH regulation..... | 5         |
| 2.8      | EPREL database.....                                | 5         |
| <b>3</b> | <b>Setting up and connecting.....</b>              | <b>5</b>  |
| 3.1      | Installation requirements.....                     | 5         |
| 3.2      | Appliance dimensions.....                          | 6         |
| 3.3      | Transporting the appliance.....                    | 6         |
| 3.4      | Unpacking appliance.....                           | 6         |
| 3.5      | Replacing the door hinge.....                      | 6         |
| 3.6      | Aligning the door.....                             | 17        |
| 3.7      | Installing door handle.....                        | 17        |
| 3.8      | Installing appliance.....                          | 17        |
| 3.9      | Setting up the appliance so it is level.....       | 17        |
| 3.10     | Installing multiple appliances.....                | 18        |
| 3.11     | After installation.....                            | 18        |
| 3.12     | Disposing of packaging.....                        | 18        |
| 3.13     | Connecting the appliance to the power supply.....  | 18        |
| <b>4</b> | <b>Functionality of the Touch display.....</b>     | <b>19</b> |
| 4.1      | Navigation and symbol explanation.....             | 19        |
| 4.2      | Menus.....   | 19        |
| 4.3      | Sleep mode.....                                    | 20        |
| <b>5</b> | <b>Putting into operation.....</b>                 | <b>20</b> |
| 5.1      | Switching on appliance (first use).....            | 20        |
| <b>6</b> | <b>Storage.....</b>                                | <b>20</b> |
| 6.1      | Information regarding storage.....                 | 20        |
| 6.2      | Storage times.....                                 | 21        |
| <b>7</b> | <b>Controls.....</b>                               | <b>21</b> |
| 7.1      | Control and display elements.....                  | 21        |
| 7.1.1    | Status display.....                                | 21        |
| 7.1.2    | Display symbols.....                               | 21        |
| 7.1.3    | Acoustic signals.....                              | 22        |
| 7.2      | Appliance functions.....                           | 22        |
| 7.2.1    | Notes on the appliance functions.....              | 22        |
| 7.2.2    | Switching appliance on and off.....                | 22        |
| 7.2.3    | Temperature.....                                   | 22        |
| 7.2.4    | Lighting *.....                                    | 23        |
| 7.2.5    | Lighting intensity.....                            | 23        |
| 7.2.6    | SuperCool.....                                     | 24        |
| 7.2.7    | HumiditySelect.....                                | 24        |
| 7.2.8    | Display lock.....                                  | 24        |
| 7.2.9    | Maintenance interval reminder.....                 | 25        |
| 7.2.10   | Language.....                                      | 25        |
| 7.2.11   | Temperature unit.....                              | 25        |
| 7.2.12   | Display brightness.....                            | 25        |
| 7.2.13   | Alarm Sound*.....                                  | 26        |
| 7.2.14   | WiFi connection *.....                             | 26        |
| 7.2.15   | LAN connection *.....                              | 27        |
| 7.2.16   | Device information.....                            | 28        |
| 7.2.17   | Operating hours.....                               | 28        |
| 7.2.18   | Software.....                                      | 28        |
| 7.2.19   | Defrosting *.....                                  | 28        |
| 7.2.20   | Door alarm.....                                    | 29        |
| 7.2.21   | Light alarm.....                                   | 29        |
| 7.2.22   | Demo mode.....                                     | 30        |
| 7.2.23   | Resetting to factory settings.....                 | 30        |
| 7.3      | Messages.....                                      | 30        |
| 7.3.1    | Warnings.....                                      | 30        |
| 7.3.2    | Reminder.....                                      | 32        |
| <b>8</b> | <b>Features.....</b>                               | <b>32</b> |
| 8.1      | Safety lock.....                                   | 32        |

|           |   |           |
|-----------|---|-----------|
| <b>9</b>  | <b>Maintenance.....</b>   | <b>32</b> |
| 9.1       | Defrosting appliance.....   | 32        |
| 9.2       | Cleaning the appliance.....   | 33        |
| <b>10</b> | <b>Customer help.....</b>   | <b>33</b> |
| 10.1      | Technical specifications.....   | 33        |
| 10.2      | Technical fault.....  | 34        |
| 10.3      | Customer Service.....   | 34        |
| 10.4      | Type plate.....   | 35        |
| <b>11</b> | <b>Shutting down.....</b>   | <b>35</b> |
| <b>12</b> | <b>Disposal.....</b>  | <b>35</b> |
| 12.1      | Preparing appliance for disposal.....                                 | 35        |
| 12.2      | Disposing of the appliance in an environmentally friendly manner..... | 35        |
| <b>13</b> | <b>Additional information.....</b>                                    | <b>35</b> |

The manufacturer is continually working on the further development of all types and models. Please be aware that we reserve the right to make changes to the shape, equipment and technology.

| Symbol  | Explanation   |
|---|---|
|    | <b>Read instructions</b><br>Please read the information in these instructions carefully to understand all of the benefits of your new appliance.  |
|   | <b>Additional information on the Internet</b><br>The digital manual with additional information and in other languages can be found via the QR code on the front of the manual or by entering the service number at <a href="http://home.liebherr.com/fridge-manuals">home.liebherr.com/fridge-manuals</a> .<br>The service number can be found on the serial tag:<br><br><i>Fig. Example illustration</i> |
|  | <b>Check appliance</b><br>Check all parts for transport damage. If you have any complaints, please contact your agent or customer service.  |
|  | <b>Differences</b><br>These instructions apply to a range of models, so differences are possible. Sections that apply to certain models only are marked with an asterisk (*).   |
|  | <b>Instructions and results</b><br>Instructions are marked with a ▶.<br>Results are marked with a ▷.  |
|  | <b>Videos</b><br>Videos about the appliances are available on the YouTube channels of Liebherr-Hausgeräte.  |

### Open source licences:

The appliance contains software components that use open source licences. Information on the open source licences used can be found here: [home.liebherr.com/open-source-licences](http://home.liebherr.com/open-source-licences)

These operating instructions apply to:

- FRT.vg 1501
- FRT.vg 1511

## 1 General safety instructions

Please keep these operating instructions in a safe place so you can refer back to them at any time.

If you pass the appliance on, please hand these operating instructions to the next user.

Read these operating instructions carefully before use to ensure safe and correct use of the appliance. Follow the instructions, safety instructions and warning messages included at all times. They are important for ensuring you can operate and install the appliance safely and without any problems.

### Danger for the user:

- This device can be used by children aged 8 and above and people with impaired physical, sensory or mental abilities or with a lack of experience and knowledge provided that they are supervised or have received instruction in the safe use of this appliance, and about the resulting hazards. Children must not play with this appliance. Cleaning and user maintenance work must not be carried out by children without adult supervision.
- The socket must be easily accessible so that the appliance can be disconnected quickly from the electricity supply in an emergency. It must not be located in the area behind the appliance.
- When disconnecting the appliance from the supply, always take hold of the plug. Do not pull the cable.
- In the event of a fault pull out the mains plug or deactivate the fuse.
- **WARNING:** Do not damage the mains power cable. Do not operate the appliance with a defective mains power cable.
- **WARNING:** Multiple sockets/distributors and other electronic equipment (such as halogen transformers) must not be placed or operated at the rear of the appliance.
- **WARNING:** Keep ventilation openings, in the appliance enclosure or in the built-in structure, clear of obstruction.
- Only customer service or other specially trained staff may repair or perform other operations on the appliance.
- Only assemble, connect and dispose of the appliance according to the instructions.

### Fire hazard

- The coolant used (information on the model plate) is ecofriendly but also flammable Any leaking coolant may ignite.
  - **WARNING:** Do not damage refrigeration circuit.
  - Do not handle ignition sources inside the appliance.
  - **WARNING:** Do not use electrical appliances in the fridge compartment which do not comply with the design recommended by the manufacturer.
  - If the refrigerant leaks: remove any naked flames or ignition sources from the vicinity of the leakage point. Properly air the room. Inform customer services.
- Do not operate the appliance close to explosive gases.
- Do not store or use petrol or other flammable gases and liquids close to the appliance.
- Do not store any explosive substances, such as aerosol containers with flammable propellant gas, in the appliance. To identify these spray cans, look for the list of contents printed on the can, or a flame symbol. Gases possibly escaping may ignite due to electrical components.

- Keep burning candles, lamps and other items with naked flames away from the appliance so that they do not set the appliance on fire.
- Please be sure to store alcoholic drinks or other packaging containing alcohol in tightly closed containers. Any alcohol that leaks out may be ignited by electrical components.

### Danger of tipping and falling:

- Do not misuse the plinth, drawers, doors etc. as a step or for support.

### Danger of frostbite, numbness and pain:

- Avoid prolonged skin contact with cold surfaces or refrigerated/frozen goods or take protective measures, e.g. wear gloves.

### Danger of injury and damage:

- **WARNING:** Do not use mechanical equipment or other methods to speed up the defrosting process other than those recommended by the manufacturer.
- **WARNING:** Risk of injury due to electric shock! There are live electrical parts under the cover. Only have the LED interior lighting replaced or repaired by customer service or other suitably trained professionals.\*
- **NOTICE:** Appliance must only be used using original manufacturer accessories or using accessories from other providers approved by the manufacturer. The user bears the risk of using accessories which are not approved.

### Risk of crushing

- Do not hold the hinge when opening and closing the door. Fingers may get caught.

### Specialist personnel qualifications:

Specialist personnel are persons who, on account of their specialist training, knowledge and experience as well as their knowledge of the relevant standards, are able to assess and perform the work assigned to them and identify potential hazards. They must have training, instruction, and authorisation to work on the appliance.

### Symbols on the appliance:



This symbol may be located on the compressor. It relates to the oil in the compressor and makes reference to the risk that: **Swallowing or inhaling can be fatal.** This advice is only relevant to recycling. There is no danger in normal operation.



**WARNING:** Danger of fire / flammable materials. This symbol is located on the compressor and indicates the danger of flammable materials. Do not remove the sticker.



This or a similar sticker may be located on the rear of the appliance. This sticker indicates that there are vacuum insulation panels (VIP) or perlite panels in the door and/or housing. This advice is only relevant to recycling. Do not remove the sticker.

Please note the warning messages and other specific advice in the other chapters:

|  |                |   |
|--|----------------|---|
|  | <b>DANGER</b>  | Indicates an immediately hazardous situation which will lead to death or serious injuries if it is not avoided. |
|  | <b>WARNING</b> | Indicates a hazardous situation which will lead to death or serious injuries if it is not avoided.              |



| Climate class (X) | Max. room temperature | Max. rel. humidity |
|-------------------|-----------------------|--------------------|
| 3                 | +25 °C                | 60 %               |
| 4                 | +30 °C                | 55 %               |
| 5                 | +40 °C                | 40 %               |
| 7                 | +35 °C                | 75 %               |

## Note

The minimum permitted room temperature at the setup location is +10 °C.

At limit conditions, slight condensation may form on the glass door (depending on the equipment) and on the side walls.

| Recommended temperature setting: |                     |
|----------------------------------|---------------------|
| Temperature class (Z)            | Temperature setting |
| L1                               | -18 °C              |
| M1                               | +5 °C               |

## 2.5 Appliance noise emissions

The A-weighted emission sound pressure level during operation of the appliance is under 70 dB(A) (sound power rel. 1 pW).

## 2.6 Conformity

The coolant circuit has been tested for leak-tightness. The appliance complies with the relevant safety regulations.

| EU Declaration of Conformity  |   |
|---|---|
| Manufacturer/Exhibitor:   | LIEBHERR-HAUSGERÄTE<br>LIENZ GMBH           |
| Address:  | A-9900 Lienz, Dr. Hans<br>Liebherr Straße 1 |
| The designated product complies with the provisions of the following European directives and regulations:   |   |
| (EU) 2019/2020, (EU) 2015/1095, (EU) 2015/1094,<br>(EU) 2017/1369, 2006/42/EC, 2014/30/EU, 2009/125/EC,<br>2011/65/EU                             |   |
| The full text of the EU Declaration of Conformity is available at the following web address: <a href="http://www.liebherr.de">www.liebherr.de</a> |   |

## 2.7 SVHC substances according to REACH regulation

You can check whether your appliance contains SVHC substances according to REACH regulation at the following link: [home.liebherr.com/de/deu/de/liebherr-erleben/nachhaltigkeit/umwelt/scip/scip.html](http://home.liebherr.com/de/deu/de/liebherr-erleben/nachhaltigkeit/umwelt/scip/scip.html)

## 2.8 EPREL database

Details about the labelling of energy consumption and ecodesign requirements will be available on the European Product Database (EPREL) from 1 March 2021. You can access the product database at the following link: <https://eprel.ec.europa.eu/>. You will be asked to enter the model identification. The model identification can be found on the type plate.

## 3 Setting up and connecting

### 3.1 Installation requirements

The installation conditions are crucial to ensure that you can operate your appliance safely, efficiently and without problems.

- Observe all safety instructions.
- Consider the location and position in the room.



#### WARNING

Danger of fire due to incorrect positioning!

If the mains cable or plug touches the back of the appliance, the vibration can damage the mains cable or the plug resulting in a short circuit.

- ▶ Make sure the mains cable is not trapped under the appliance when you position the appliance.
- ▶ Stand the appliance so that it is not touched by connectors or main cables.
- ▶ Do not connect any appliances to sockets in the area of the back of the appliance.
- ▶ Do **not** place and operate multi-sockets/power distributors and other electronic devices (such as halogen transformers) at the back of the appliances.



#### WARNING

Fire hazard due to dampness!

If live parts or the mains lead become damp this may cause short circuits.

- ▶ The appliance is designed for use in enclosed areas. Do not operate the appliance outdoors or in areas where it is exposed to splash water or damp conditions.



#### WARNING

Leaking coolant and oil!

Fire. The coolant contained in the appliance is eco-friendly, but also flammable. The oil contained in the appliance is flammable. Escaping coolant and oil can ignite if the concentration is high enough and in contact with an external heat source.

- ▶ Do not damage the pipelines of the coolant circuit and the compressor.

#### 3.1.1 Installation site

- A dry and well-ventilated room is an optimum installation location.
- If the appliance is installed in a very damp environment, condensation may form on the appliance exterior. Always make sure there is good ventilation and aeration at the installation site.
- The more refrigerant there is in the appliance, the larger than room must be in which it is located. In rooms that are too small, a leak can produce a flammable gas/air mixture. For every 8 g of refrigerant, the installation room must be at least 1 m<sup>3</sup> in size. Information on the refrigerant contained is given on the type plate inside the appliance.
- The floor on which the appliance stands must be horizontal and level.
- The site of use must be able to bear the weight of the device including the maximum load. (see 10.1 Technical specifications)

# Setting up and connecting

## 3.1.2 Position in space

- Do not place the appliance in direct sunlight or near radiators or similar sources of heat.
- Always position the appliance with the rear directly on the wall.
- If the appliance is set up at a height, the anti-tipping device must be fitted.  
If the appliance is installed on top of another appliance, the connection frame with anti-tipping device (included in the connection frame) must be installed.  
If the appliance is placed on a plinth with casters, the plinth must be fitted with an anti-tipping device (included with the plinth).  
If the appliance is installed on a foot plinth, the foot plinth must be fitted with an anti-tipping device (included in the foot plinth).  
The anti-tipping device is available from the Liebherr-Hausgeräte shop at [home.liebherr.com/shop/de/deu/zubehor.html](http://home.liebherr.com/shop/de/deu/zubehor.html).
- Use in hazardous areas is not permitted.

## 3.1.3 Loading the top of the appliance

You can use the top of the appliance as a shelf.

Ensure that the following requirements are met so that damage does not occur.

- The table top is fitted to the appliance.
- The maximum load is 50 kg.
- The load is distributed evenly over the top of the appliance.
- The ventilation grilles are clear.

## 3.2 Appliance dimensions

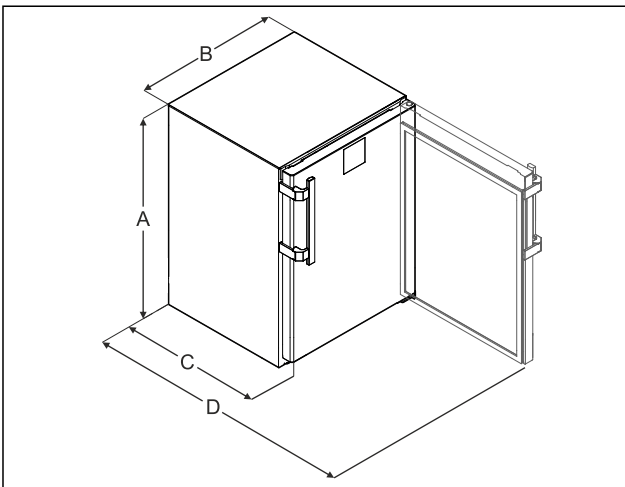


Fig. 4 Example illustration

- (A) Device height including feet/rollers
- (B) Device width without handle [handle depth = 45 mm [1 6/8 in]]
- (C) Device depth without handle [handle depth = 45 mm [1 6/8 in]]
- (D) Device depth with door open

|   |         |
|---|---------|
| A | 852 mm  |
| B | 600 mm  |
| C | 648 mm  |
| D | 1162 mm |

## 3.3 Transporting the appliance



### WARNING

Risk of injury due to broken glass!\*

When transporting at an altitude of more than 1500 m, the glass panes of the door may break. This can result in sharp-edged fragments, which can cause serious injuries.

► Take appropriate protective action.

### 3.3.1 Transporting the appliance for initial use

Ensure that the following requirements are met:

- The appliance is packaged.
- The appliance is upright.
- Transport the appliance with the help of two people.
- Unpacking the appliance.

### 3.3.2 Transporting the appliance after initial use

Observe the following instructions if you wish to transport or move the appliance again after initial use.

Ensure that the following requirements are met:

- The appliance is emptied.
- The appliance is upright.
- Appliance with door(s): Door is secured against accidental opening.
- Appliance with telescopic unit: The telescopic unit is secured against accidental opening.
- Appliance with adjustable feet: Adjustable feet are screwed in.
- Transport the appliance with the help of two people.

After transport:

- Unscrew the adjustable feet on the appliance.
- Align the appliance.

## 3.4 Unpacking appliance

- Check the appliance and the packaging for damage during transport. Contact the supplier immediately if you suspect any damage. Do not connect appliance to the power supply.
- Remove all packaging materials from the rear or the side walls of the fridge that may prevent proper installation or prevent air flow and ventilation.

## 3.5 Replacing the door hinge

### 3.5.1 Safety instructions



### WARNING

Risk of injury if the door is not reversed correctly!

► Replace the door hinge with specialist personnel.



### WARNING

Risk of injury and material damage due to door weight!

- Only change the door hinge if you can carry a weight of 15 kg.
- Change the door hinge with two people.

## NOTICE

Live parts!  
Damage to electrical components.  
▶ Remove the mains plug before you reverse the door.

### 3.5.2 Tool



### 3.5.3 Removing the worktop\*

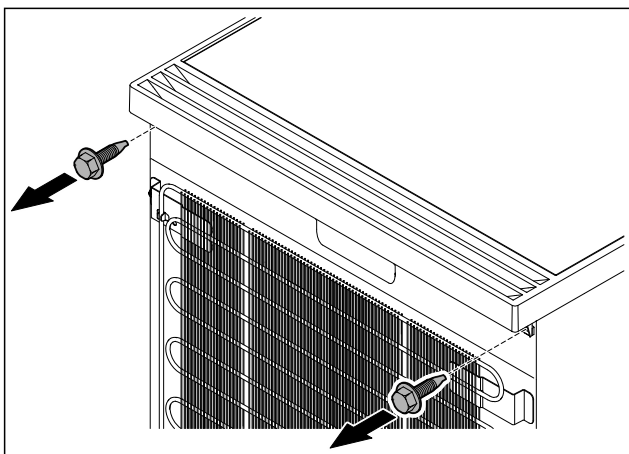


Fig. 5

▶ Loosen the screws.

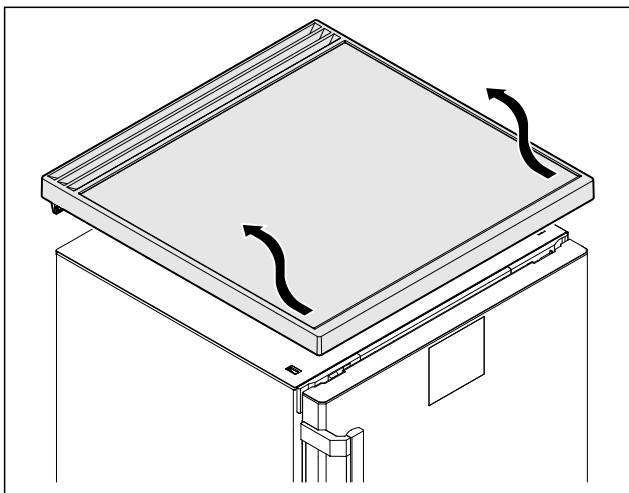


Fig. 6

▶ Remove the worktop.

### 3.5.4 Removing covers

▶ Open the door.



Fig. 7

▶ Remove the cover.

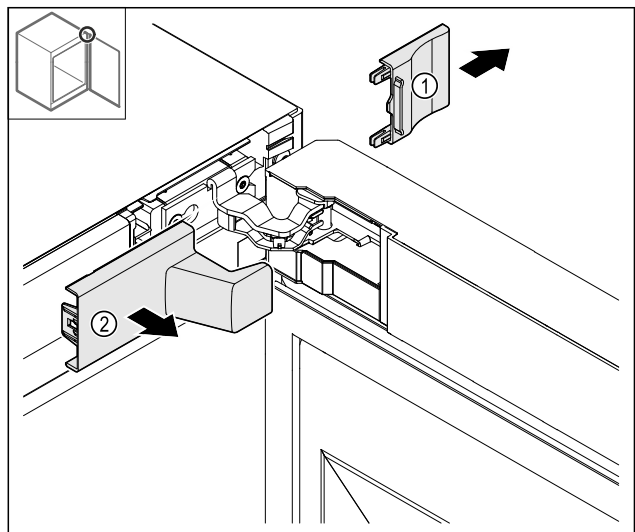


Fig. 8

▶ Remove the cover Fig. 8 (1) and then Fig. 8 (2).

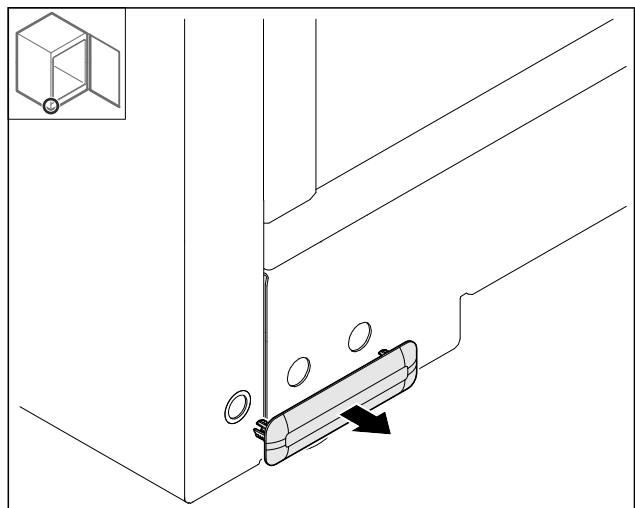


Fig. 9

▶ Remove the cover.

# Setting up and connecting

## 3.5.5 Removing the front panel

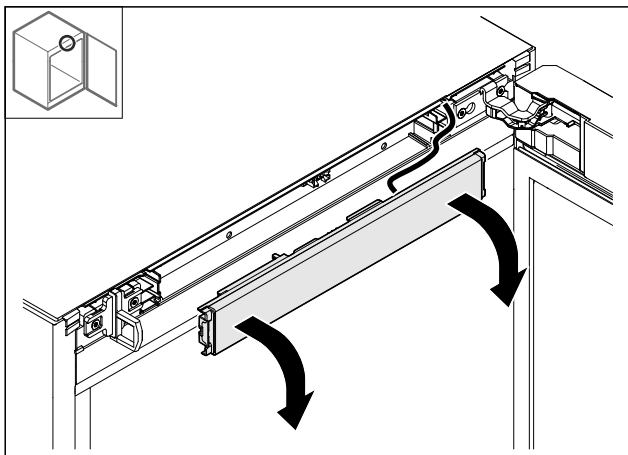


Fig. 10

- ▶ Remove the front panel.
- ▶ **TIP for further steps:** photograph how the cables are laid.

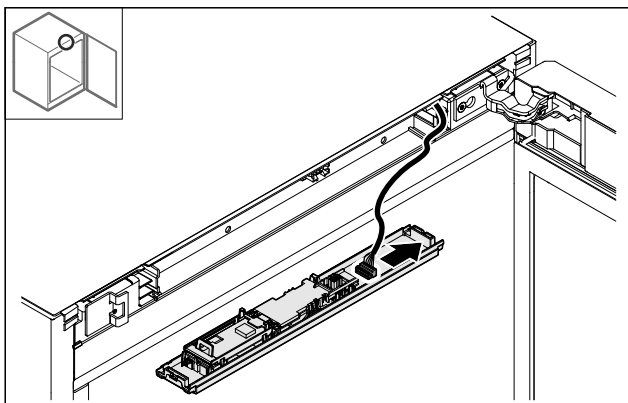


Fig. 11

- ▶ Unplug the plug.

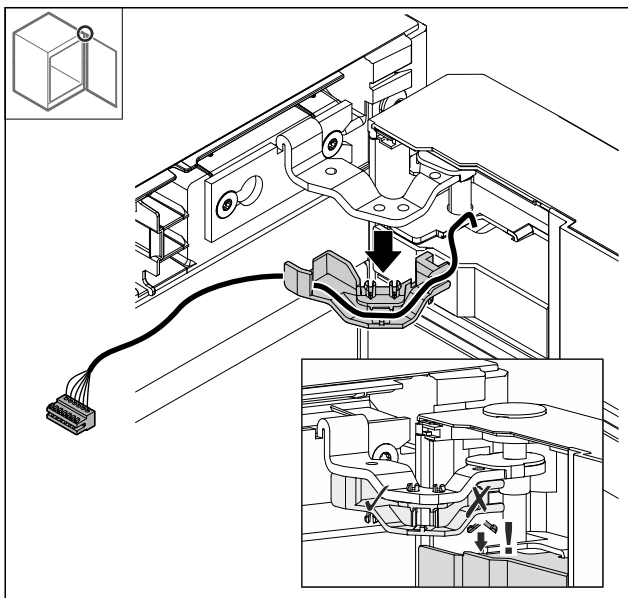


Fig. 12

- ▶ **Carefully** pull the cable with holder out of the hinge to avoid breaking the catches.
- ▶ The cable with the bracket is hanging on the door.

## 3.5.6 Removing the door

### NOTICE

Risk of injury if the door tips out!  
▶ Hold the door.

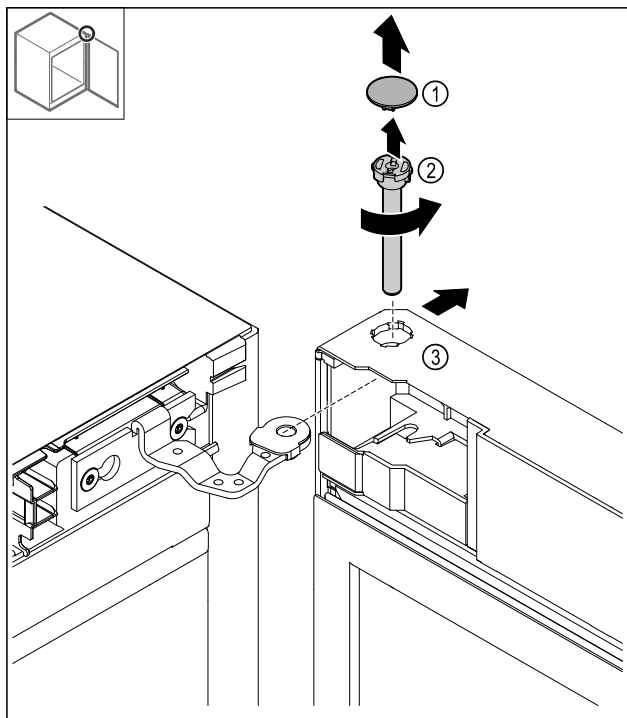


Fig. 13

- ▶ Removing the cover Fig. 13 (1).
- ▶ Loosen the bolt Fig. 13 (2) anti-clockwise and pull it out.
- ▶ Tilt the door Fig. 13 (3) slightly.

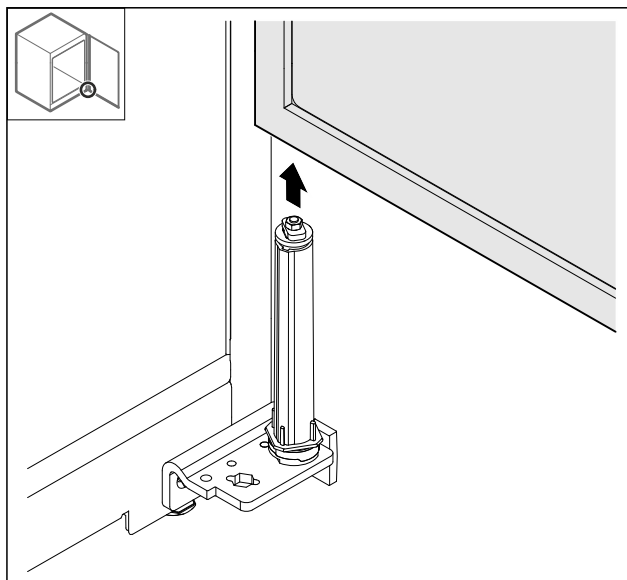


Fig. 14

- ▶ Remove the door upwards.
- ▶ Place the door on a soft surface.

## 3.5.7 Re-locating the top cover

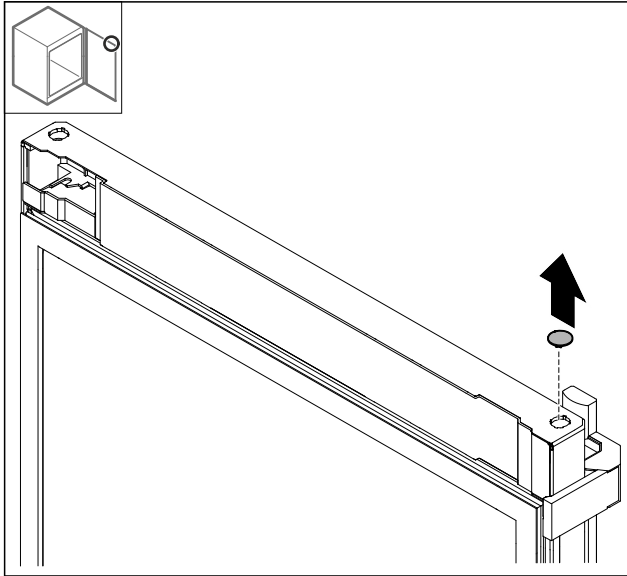


Fig. 15

- ▶ Remove the cover.

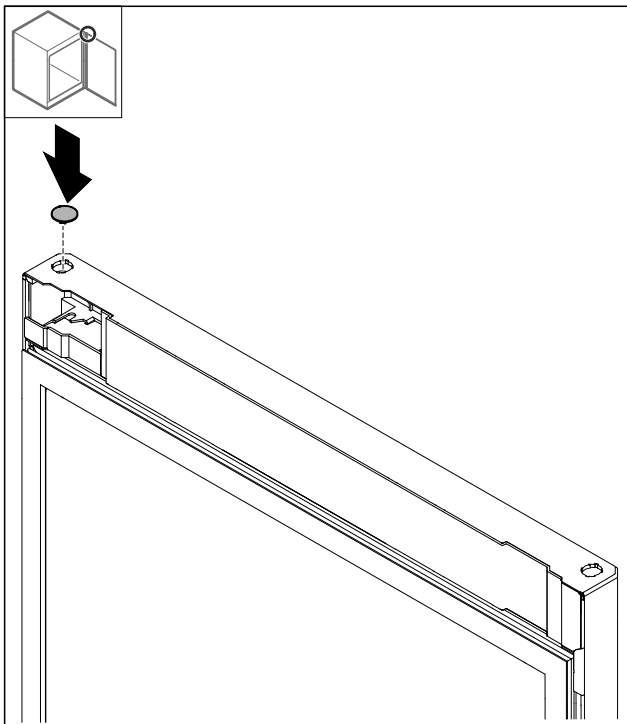


Fig. 16

- ▶ Insert the cover.

## 3.5.8 Relocating the stop plate

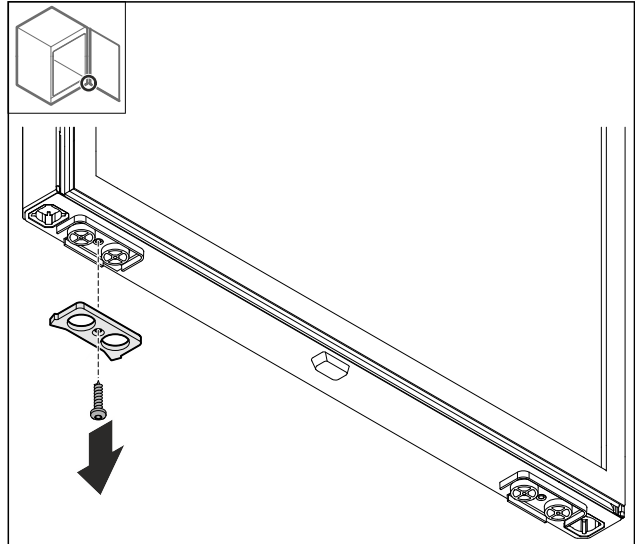


Fig. 17

- ▶ Detach the stop plate.

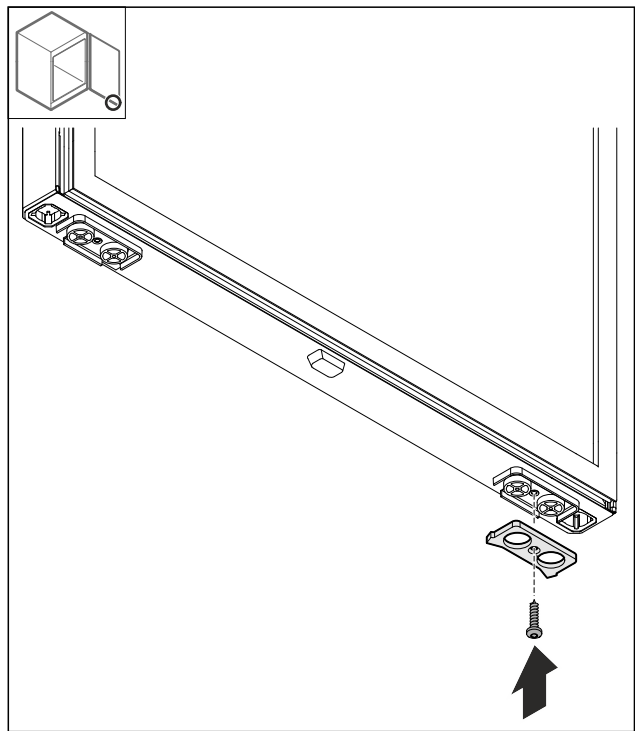


Fig. 18

- ▶ Attach the stop plate on the opposite side.

# Setting up and connecting

## 3.5.9 Converting the handle

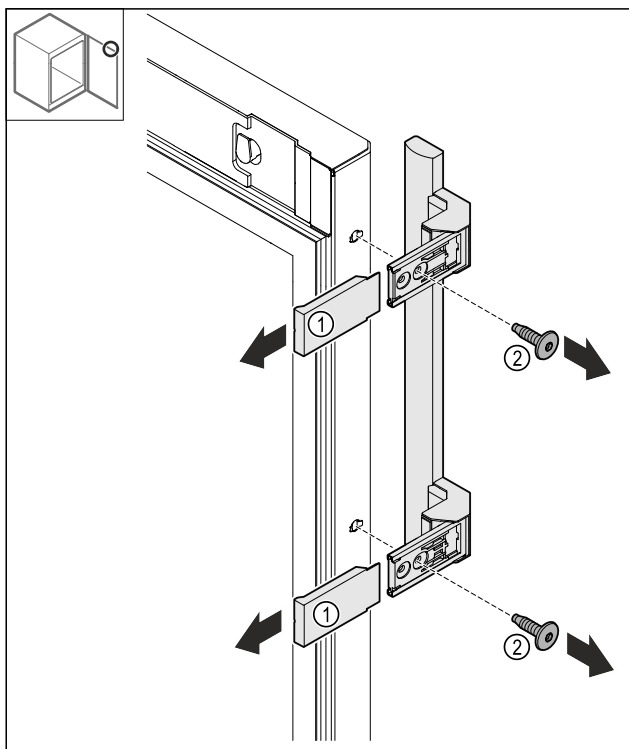


Fig. 19

- ▶ Remove the covers Fig. 19 (1).
- ▶ Loosen the screws Fig. 19 (2).
- ▶ Remove the handle.

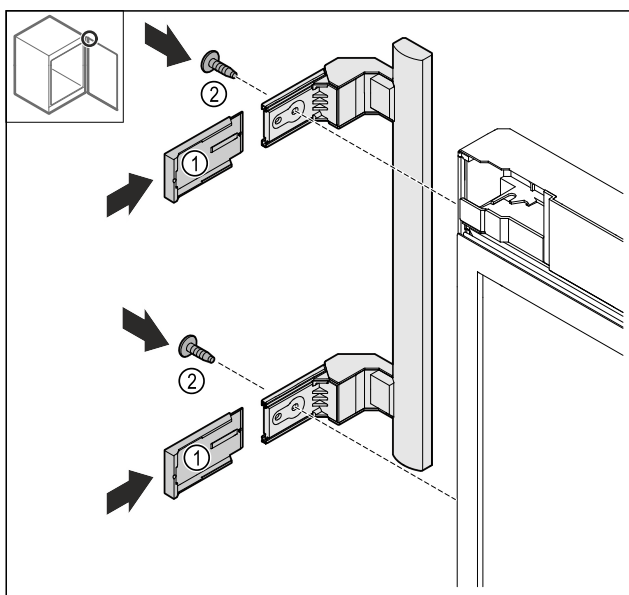


Fig. 20

- ▶ Move the plug to the opposite side.\*
- ▶ Screw the handle on to the opposite side.
- ▶ Push the covers Fig. 20 (1) on.

## 3.5.10 Removing the cover

- ▶ Lock the door.

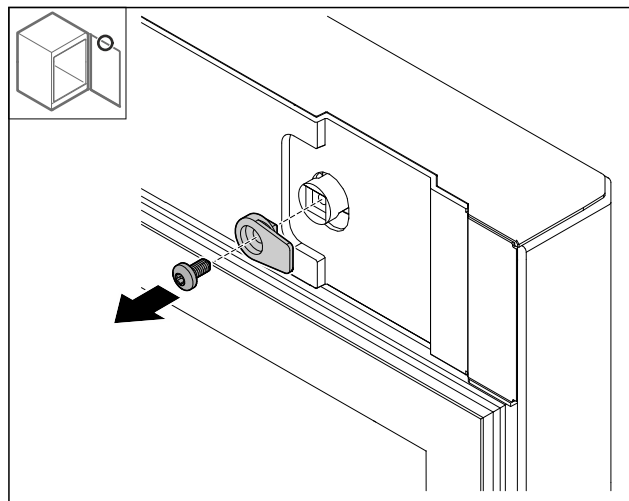


Fig. 21

- ▶ Detach the locking hook.

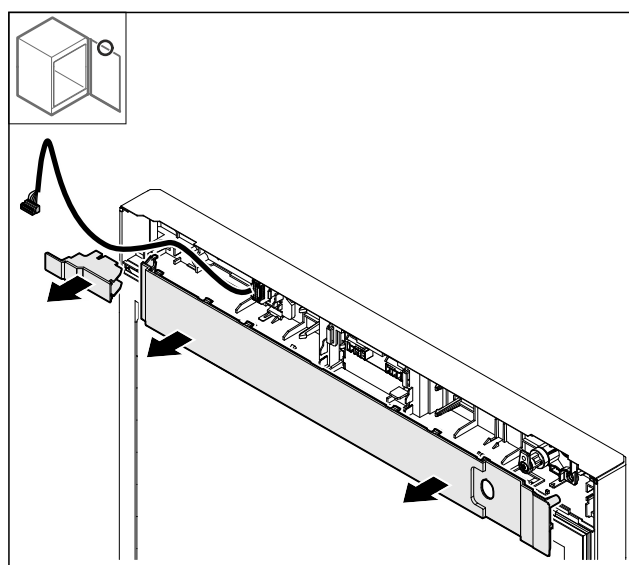


Fig. 22

- ▶ Remove the covers.

## 3.5.11 Converting the plug holder\*

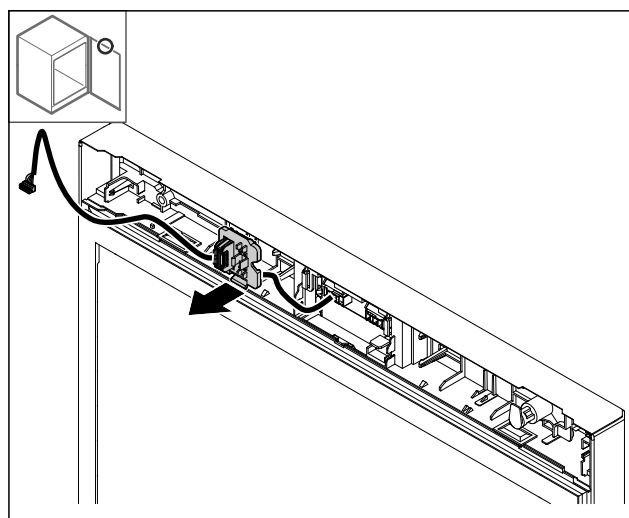


Fig. 23 The installation position for the plug holder can be rotated by 180°.

- ▶ Unlatch the plug holder.

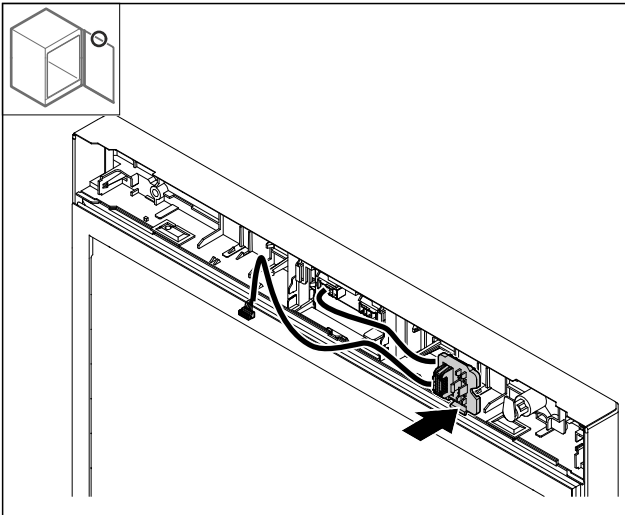


Fig. 24

- ▶ Engage the plug holder on the opposite side.

### 3.5.12 Converting the cable\*

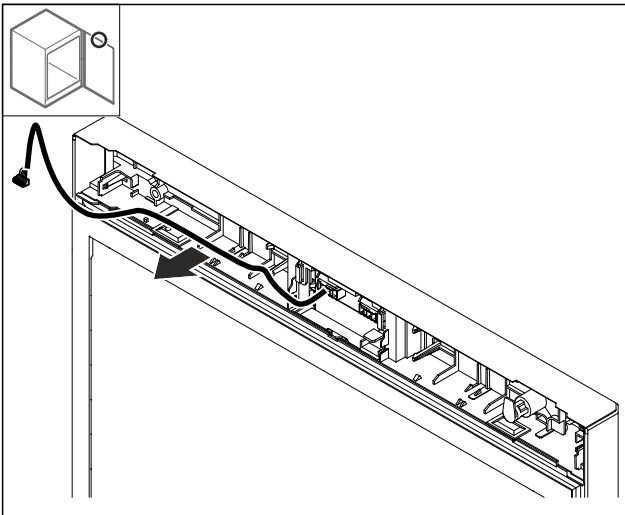


Fig. 25

- ▶ Pull out the cable.

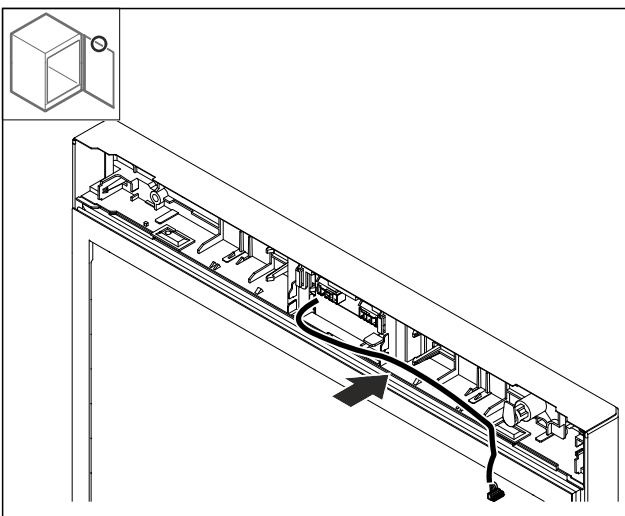


Fig. 26

- ▶ Lay the cable on the opposite side.

### 3.5.13 Converting the lock

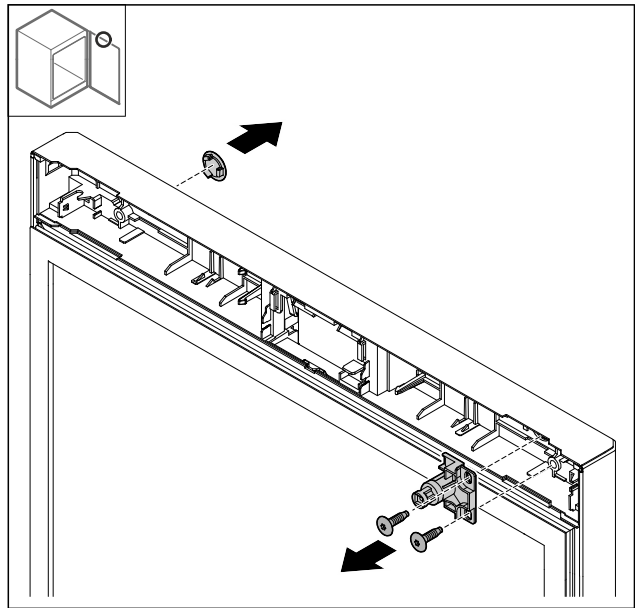


Fig. 27 Example illustration: Foamed door

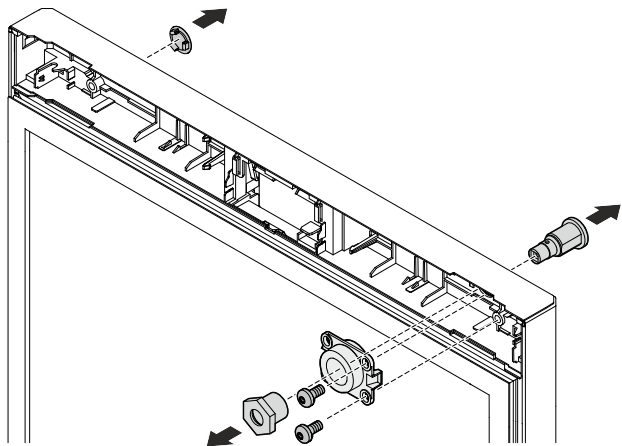


Fig. 28 Example illustration: Glass door

- ▶ Remove the cover.
- ▶ Remove the lock.

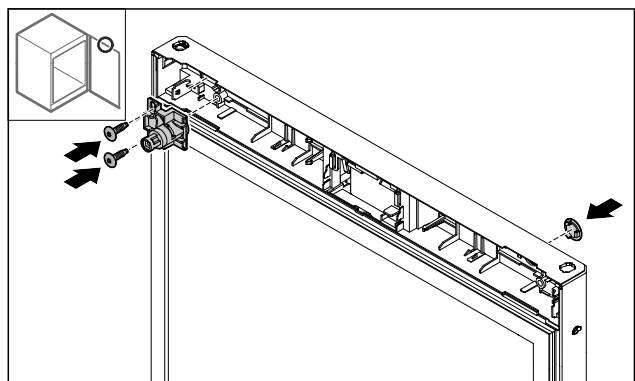


Fig. 29 Example illustration: Foamed door

# Setting up and connecting

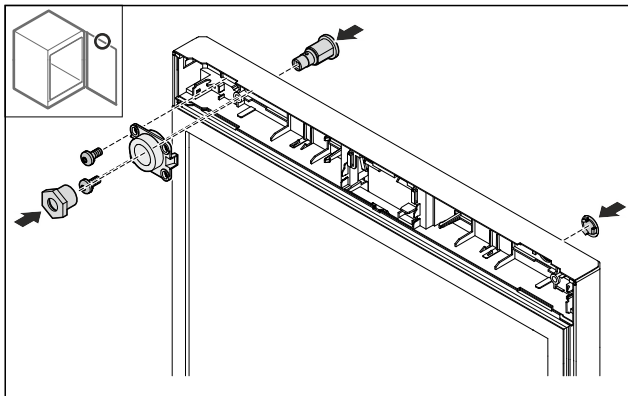


Fig. 30 Example illustration: Glass door

- ▶ Fit cover on the opposite side.
- ▶ Foamed door: Turn the lock 180° and fit it on the opposite side.
- or-
- ▶ Glass door: Turn the lock and holder and fit it on the opposite side.

## 3.5.14 Putting on the cover

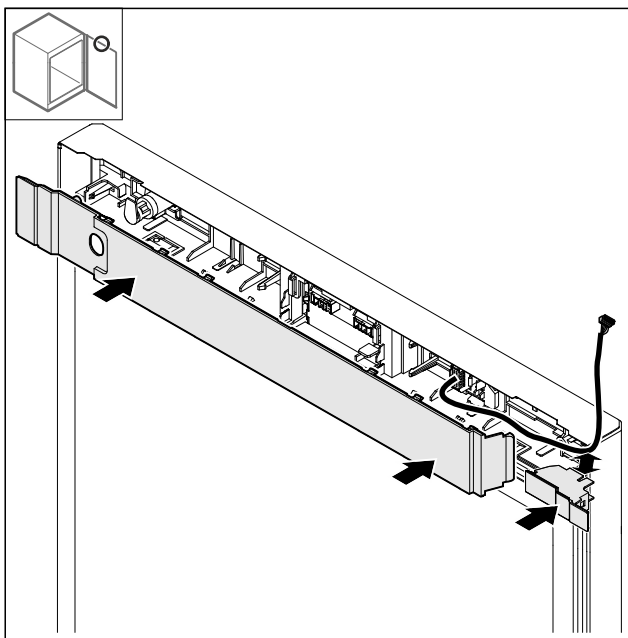


Fig. 31

- ▶ Fit the covers rotated by 180°. Ensure that the cable runs through the top opening on the small cover.

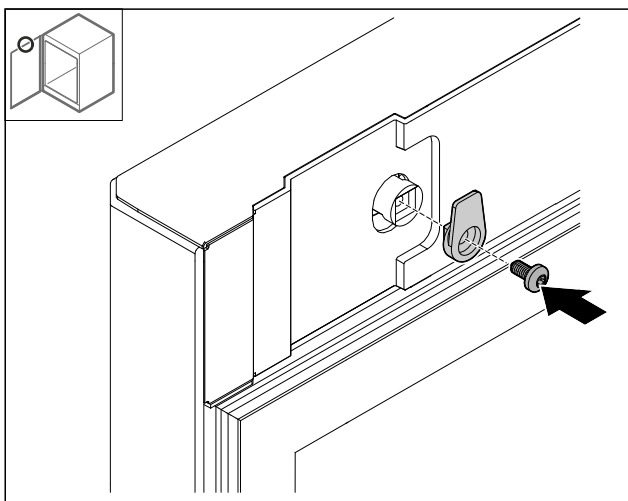


Fig. 32

- ▶ Fit the locking hook.

## 3.5.15 Converting the top hinge

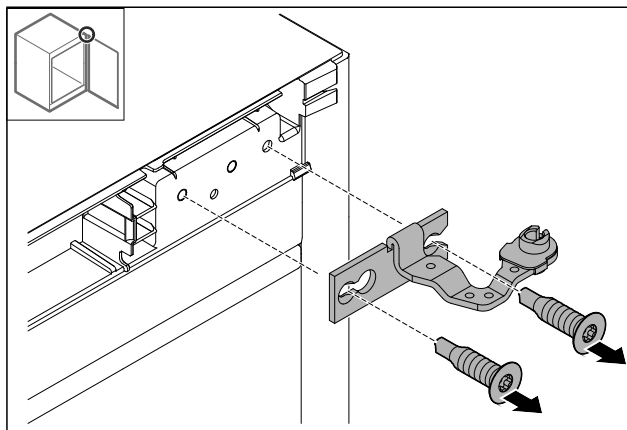


Fig. 33

- ▶ Detach the hinge.

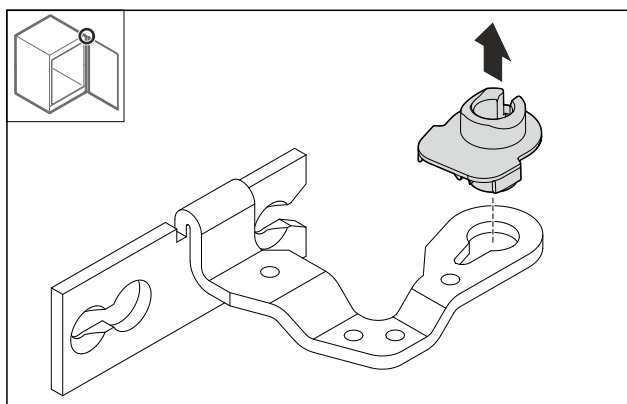


Fig. 34

- ▶ Press out the bearing socket.

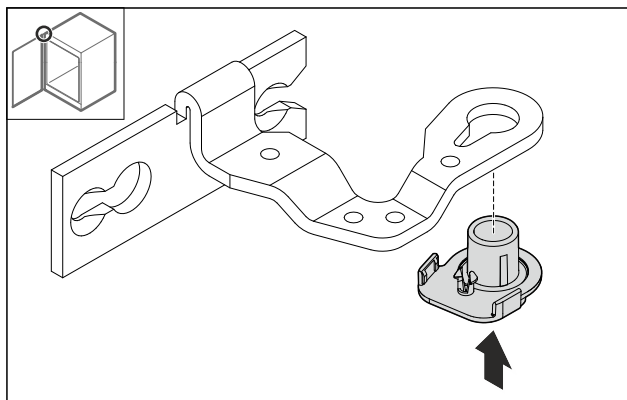


Fig. 35

- ▶ Turn the bearing socket by 180° and press it into the underside.

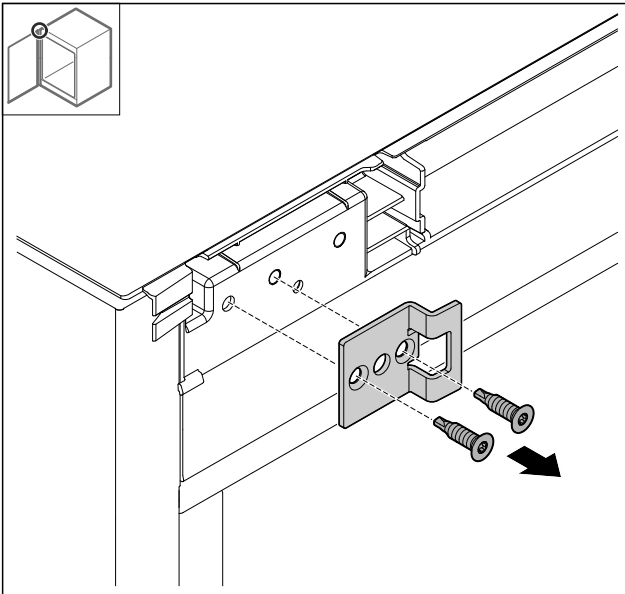


Fig. 36

- Detach the locking bracket.

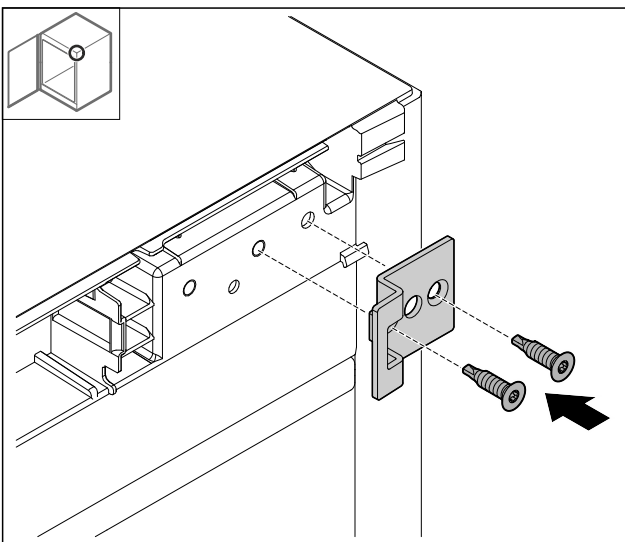


Fig. 37

- Turn the locking bracket 180° and fit it on the opposite side.

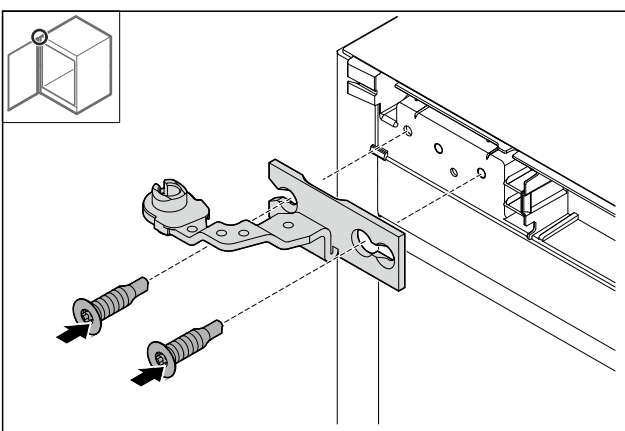


Fig. 38

- Attach the hinge.

## 3.5.16 Converting the bottom hinge

### NOTICE

Danger of injury due to tensioned spring!

- Do not dismantle the screw connection Fig. 39 (1) on the locking system.

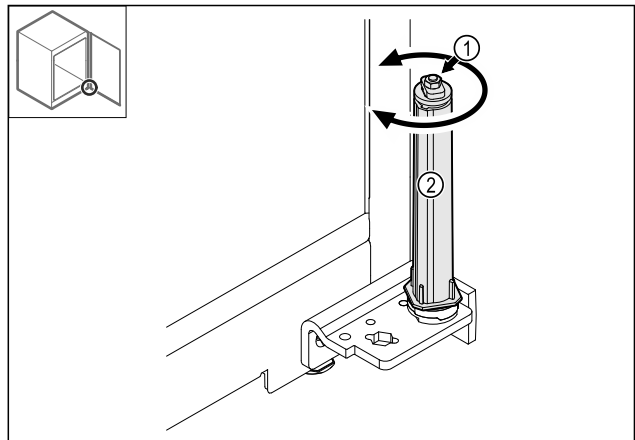


Fig. 39

- Turn the locking system Fig. 39 (2) until it clicks.
- The locking system pre-tension is released.

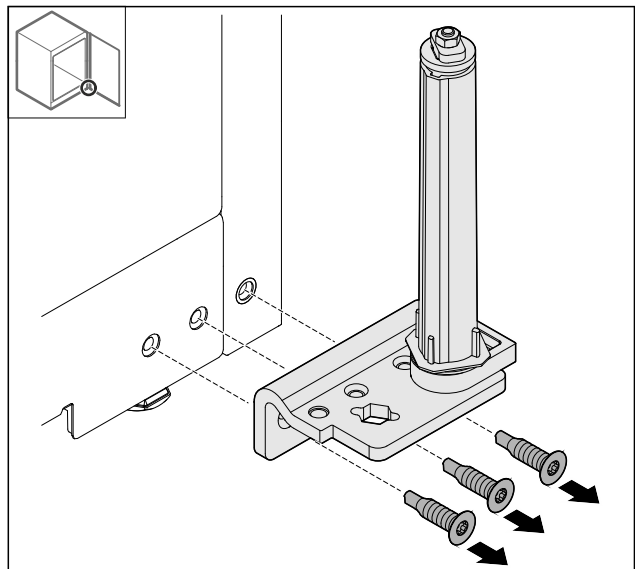


Fig. 40

- Detach the hinge bracket.

# Setting up and connecting

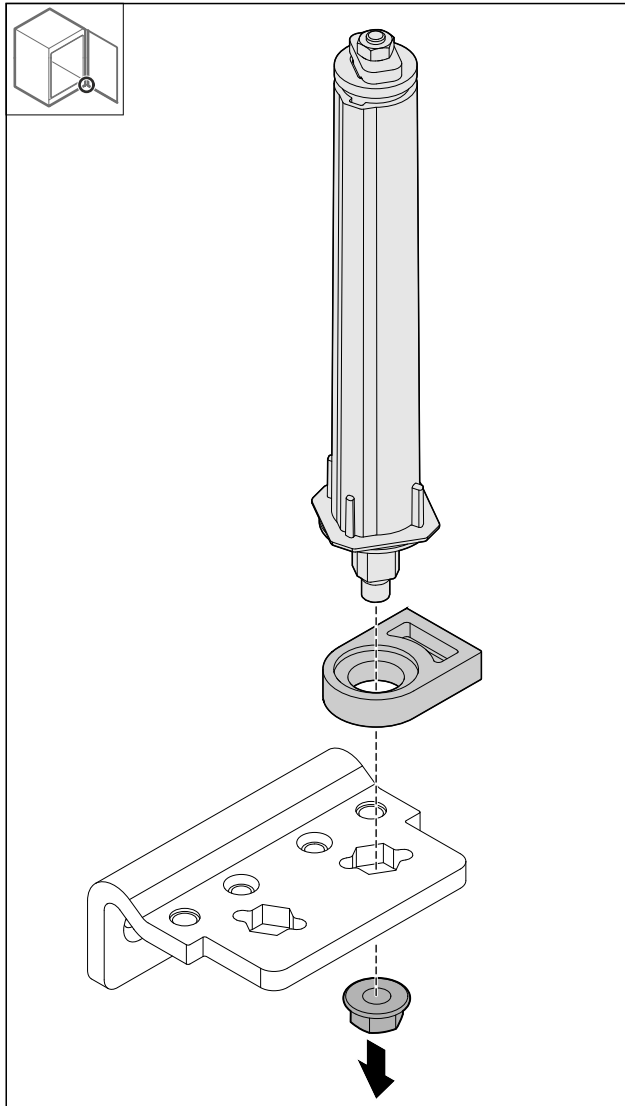


Fig. 41

- Loosen the nut.

**Note**

When inserting, ensure that the locking system is aligned correctly.

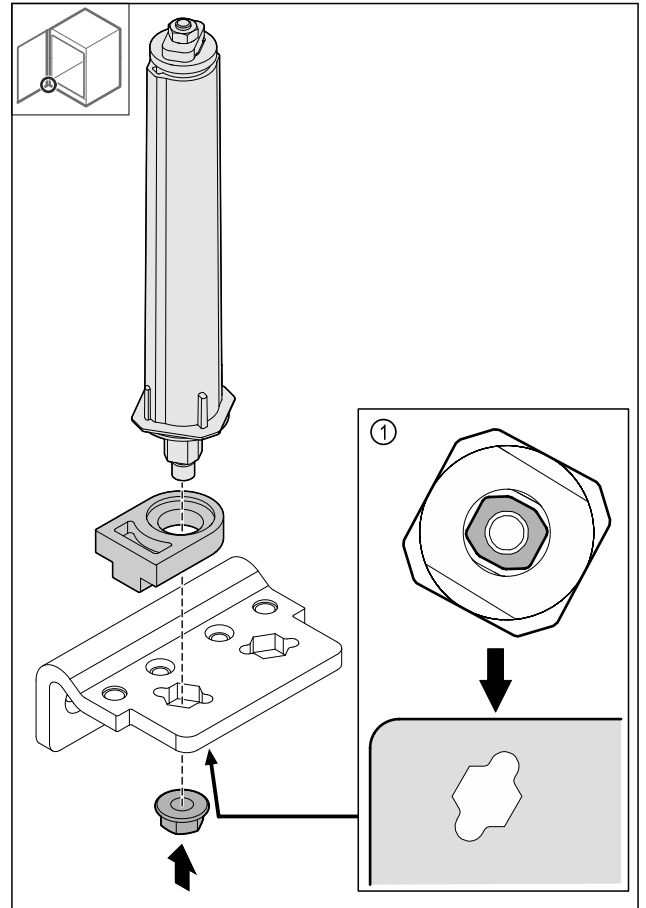


Fig. 42 View from below: Fig. 42 (1)

- Move the locking system in the hinge bracket and secure with the nut.

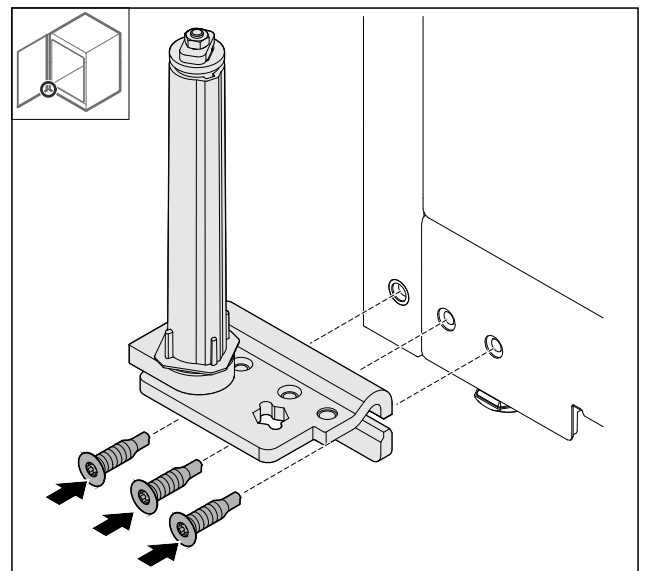


Fig. 43

- Attach the hinge bracket on the opposite side.

**Note**

Correct alignment and pre-tension are important for the locking system functions.

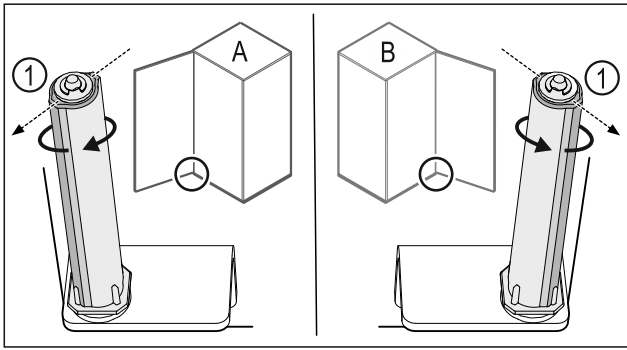


Fig. 44 Left stop (A) / right stop (B)

- ▶ Turn the locking system against the resistance until the bar on the locking system Fig. 44 (1) is pointing outwards.
- ▶ The locking system remains in this position automatically.
- ▶ The locking system is aligned and pre-tensioned.

### 3.5.17 Fitting the door

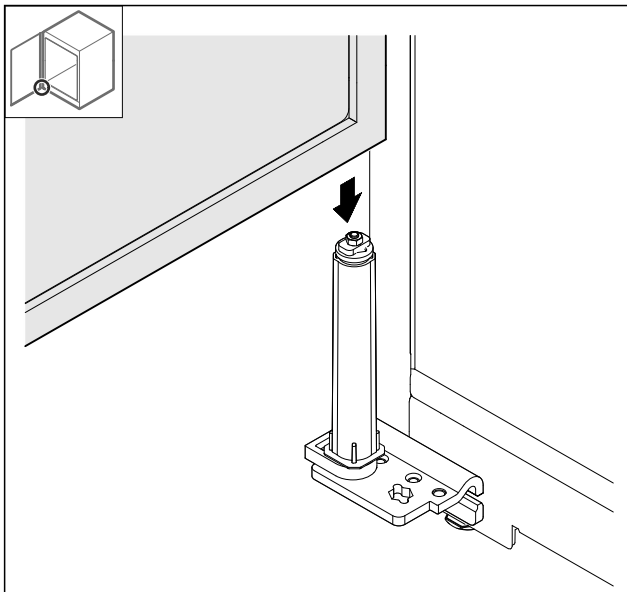


Fig. 45

- ▶ Place the door on the locking system.

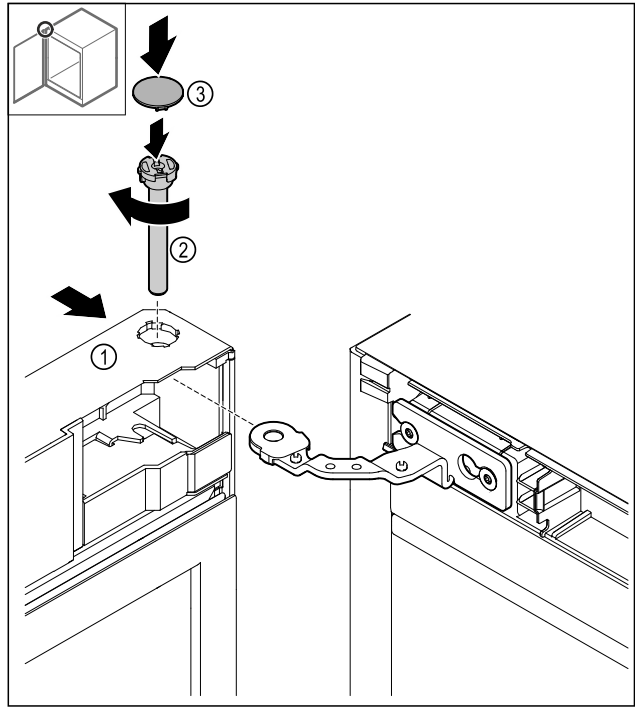


Fig. 46

- ▶ Slide the door Fig. 46 (1) onto the top hinge.
- ▶ Insert the bolt Fig. 46 (2) and turn it clockwise to tighten.
- ▶ Put on the cover Fig. 46 (4).

### 3.5.18 Putting on the front panel

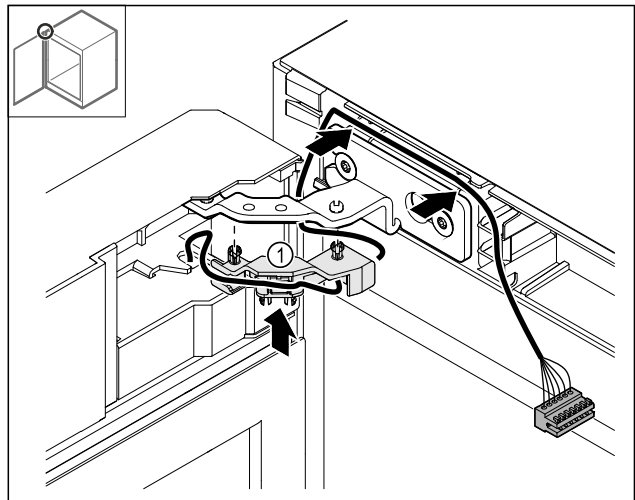


Fig. 47

- ▶ Push the cable holder Fig. 47 (1) into the hinge.
- ▶ Lay the cable in the hinge towards the front panel.

# Setting up and connecting

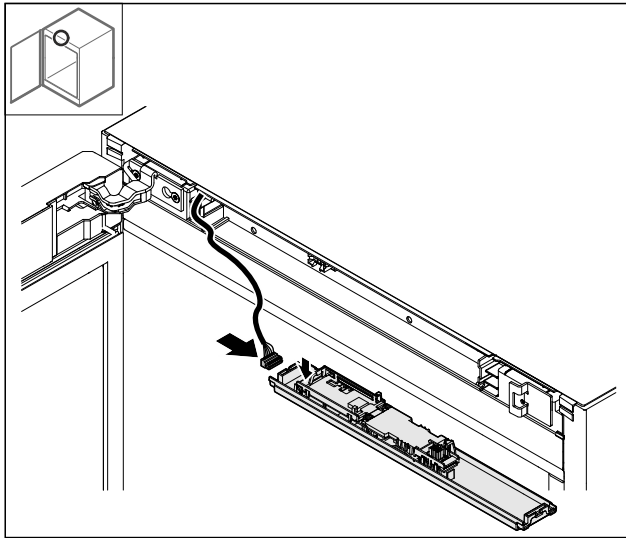


Fig. 48

► Plug in the plug.

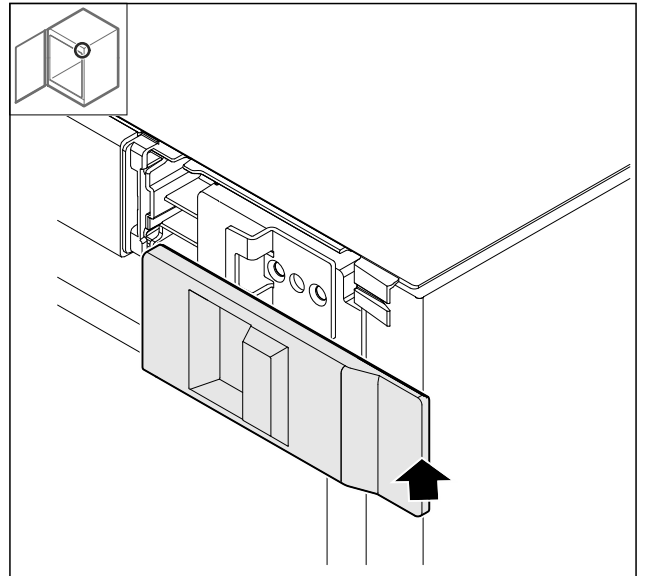


Fig. 51

► Put on the cover.

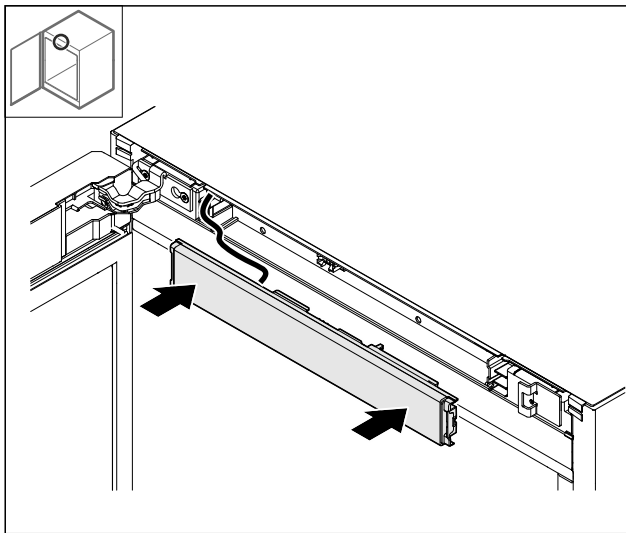


Fig. 49

► Put on the front panel.

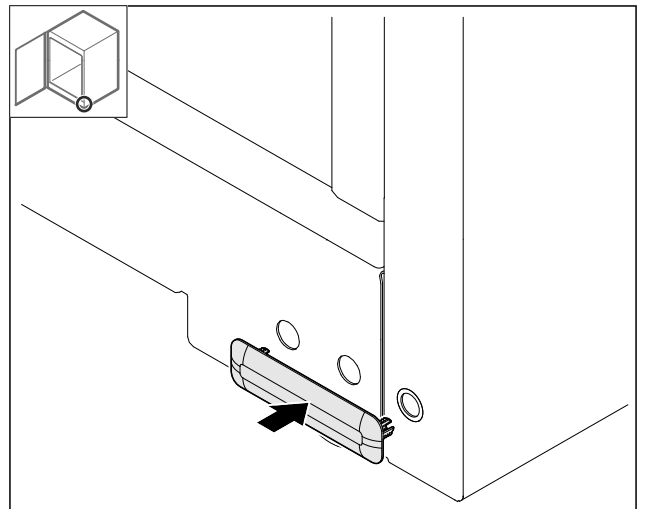


Fig. 52

► Put on the cover.

## 3.5.19 Putting on the covers

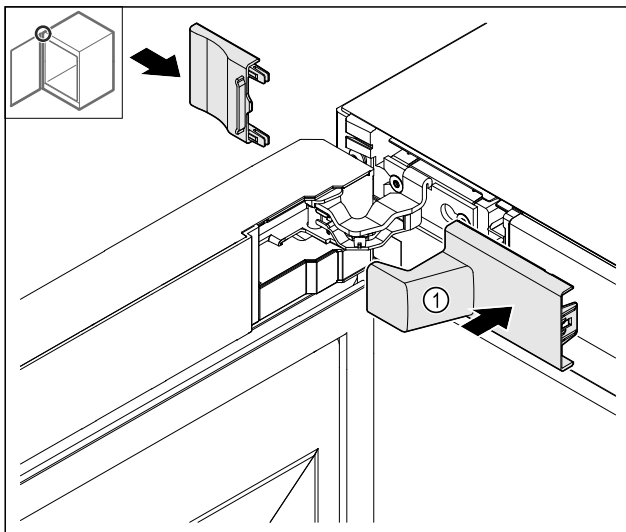


Fig. 50

(1) The cover is supplied as standard with the appliance.

► Put on the covers.

## 3.5.20 Fitting the worktop\*

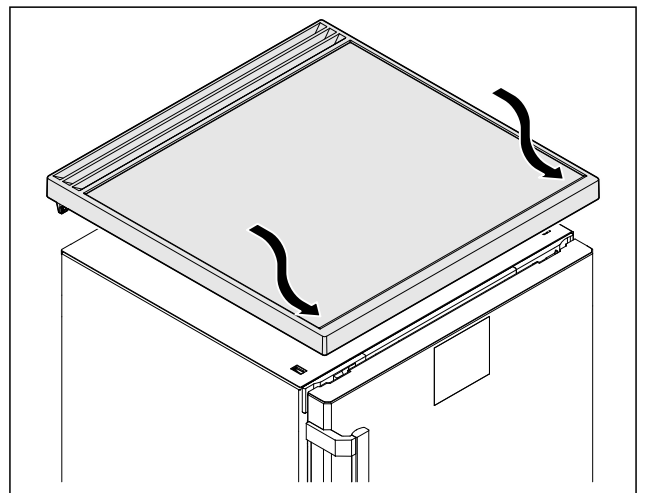


Fig. 53

► Put on the worktop.

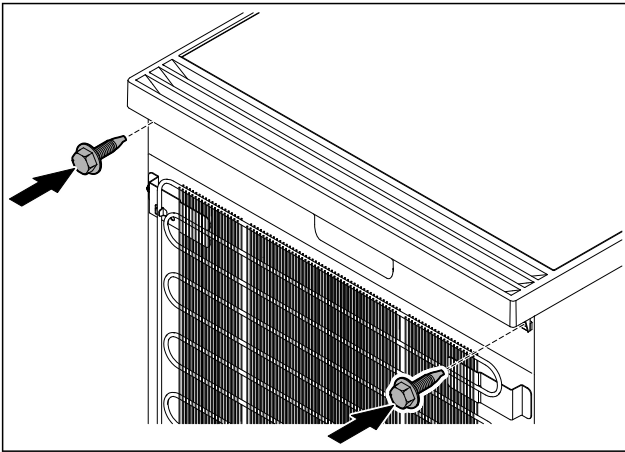


Fig. 54

- ▶ Screw on the worktop.

## 3.6 Aligning the door

If the door is not straight, you can adjust it on the lower hinge.

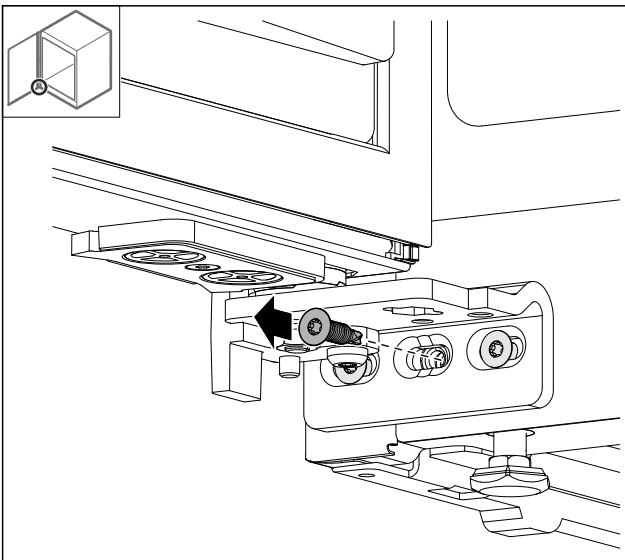


Fig. 55

- ▶ Remove the middle screw on the lower hinge.

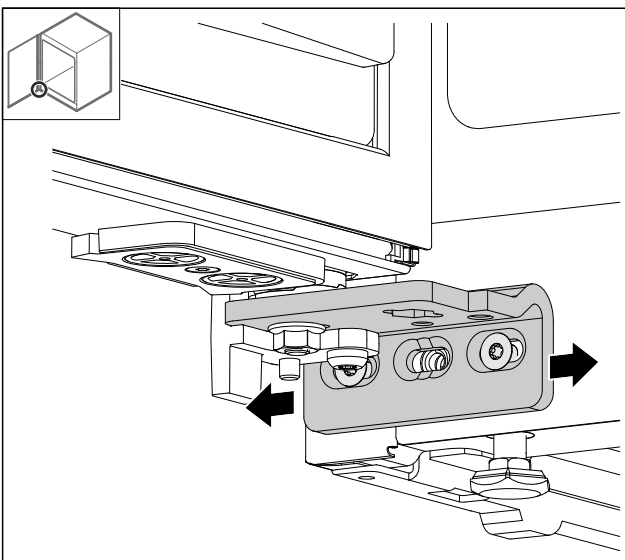


Fig. 56

- ▶ Slightly undo both screws and move the door with the hinge to the left or right.
- ▶ Fully tighten the screws (the middle screw is no longer needed).
- ▶ The door is now straight.

## 3.7 Installing door handle

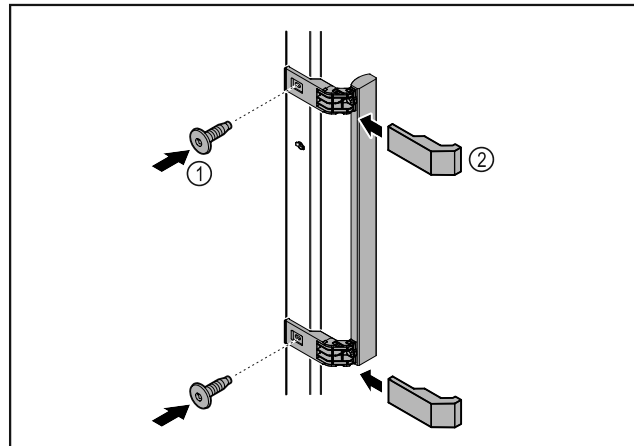


Fig. 57

- ▶ Attach handle from accessory kit to the door using the screws supplied Fig. 57 (1).
- ▶ Put on cover Fig. 57 (2).
- ▶ Insert the plug from the accessory pack on the opposite side. \*

## 3.8 Installing appliance



### CAUTION

Risk of injury and damage.

- ▶ Use 2 people to install appliance.



### CAUTION

Risk of injury and damage.

The door can knock against the wall and become damaged as a result. In the case of glass doors, the damaged glass can cause injuries.

- ▶ Protect the door from knocking against the wall. Attach door stopper, e.g. felt stopper, to the wall.

- ▶ Connect all necessary components (e.g. mains cable) to the back of the appliance and route to the side.

### Note

Cables can be damaged.

- ▶ Do not jam the cable when pushing the appliance back.

## 3.9 Setting up the appliance so it is level

### NOTICE

Appliance body is deformed and door does not close.

- ▶ Align appliance horizontally and vertically.
- ▶ Compensate for uneven floors using adjustable feet.

# Setting up and connecting



## WARNING

Incorrect height adjustment of the adjustable foot! Can cause severe or even fatal injury. Incorrect height adjustment can cause the bottom part of the adjustable foot to come loose and the appliance to tip over.

- ▶ Do not unscrew the adjustable foot too far.

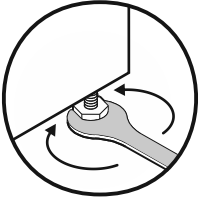


Fig. 58

### Raising appliance:

- ▶ Turn adjustable foot clockwise.

### Lowering appliance:

- ▶ Turn adjustable foot anticlockwise.

## 3.10 Installing multiple appliances

### NOTICE

Risk of damage due to condensation between the side walls.

- ▶ Do not install the appliance directly next to another fridge.
- ▶ Install appliances with a space 3 cm between appliances.
- ▶ Only install multiple appliances up to temperatures of 35 °C and 65% humidity next to one another.
- ▶ At higher levels of humidity, increase space between appliances.

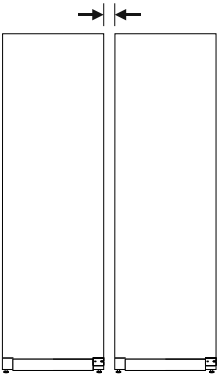


Fig. 59 Side-by-side installation

### Note

A side-by-side kit is available as an accessory via Liebherr Customer Service. (see 10.3 Customer Service)

## 3.11 After installation

- ▶ Peel off the protective films. \*
- ▶ Clean appliance. (see 9.2 Cleaning the appliance)
- ▶ If necessary: Disinfect the appliance.
- ▶ Keep the invoice so you have the appliance and dealer information available if needed.

## 3.12 Disposing of packaging



## WARNING

Danger of suffocation due to packing material and plastic film!

- ▶ Do not allow children to play with packing material.

The packaging is made of recyclable materials:

- corrugated board/cardboard
- expanded polystyrene parts
- polythene bags and sheets
- polypropylene straps
- nailed wooden frame with polyethylene panel\*

- ▶ Take the packaging material to an official collecting point.

## 3.13 Connecting the appliance to the power supply



## WARNING

Danger of electric shock and injury due to damaged appliance or damaged mains cable!

Danger of cuts and fatal injuries. If the appliance or the mains cable is damaged during transport, you may be electrocuted. You could also cut yourself on damaged parts of the appliance housing.

- ▶ Check the appliance and the mains cable for damage after transport.
- ▶ Never put the appliance into operation if the appliance or the mains cable are damaged.
- ▶ Contact Customer Service.

You can connect your appliance to the mains using the power cable supplied separately. The mains power cable has an appliance coupler at one end and a mains plug at the other end.

Make sure that the following requirements are fulfilled:

- The appliance and power cable are undamaged.
- The appliance is set up in accordance with the regulations. (see 3.7 Installing door handle)
- Requirements for the electrical connection are met. (see 3.1 Installation requirements)
- Dimensions for connection in accordance with regulations are known and observed.
- Mains voltage and frequency correspond to the specifications on the type plate.
- The socket is earthed according to the regulations and fused.
- The fuse tripping current is between 10 A and 16 A.
- The socket is easily accessible and is not behind the appliance.

### NOTICE

Danger of damage to incorrect operation! Damage to the electrical components of the appliance.

- ▶ Only use the supplied mains cable.



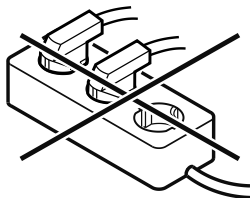
## WARNING

Danger of fire due to incorrect connection!

Burns.

Damage to the appliance.

- ▶ Do not use an extension cable.
- ▶ Do not use distributor blocks.



## NOTICE

Danger of damage to incorrect connection!  
Damage to the appliance.

▶ Do not connect the appliance to a stand-alone inverter, e.g. solar power systems and petrol generators.

▶ Connect the mains cable plug to the power supply. Ensure that the plug is tightly in the socket.

▶ If no action occurs within 60 seconds: The standby symbol fades or disappears.

▶ The appliance is connected. For information regarding first use, see the following section or the operating instructions.

## 4 Functionality of the Touch display

You operate your appliance using the Touch display. You select appliance functions in the Touch display (hereafter referred to as display) by tapping them. If you do not perform any action on the display for 10 seconds, the display either jumps back to the higher-level menu or directly to the status display.

### 4.1 Navigation and symbol explanation

In the illustrations, different symbols are used to navigate the display. The following table describes these symbols.

| Symbol | Description  |
|--------|--|
|        | <b>Press the Next navigation arrow:</b><br>Navigates to the next option in the menu.   |
|        | <b>Press the Back navigation arrow:</b><br>Jumps back one option in the menu.  |
|        | <b>Press and hold the Back navigation arrow for 3 seconds:</b><br>Jumps back to the status display in the main menu or from the Settings menu. |
|        | <b>Press the navigation arrow several times in succession:</b><br>Navigates in the menu to the desired function.                               |
|        | <b>Press the Confirm symbol:</b><br>Activates/deactivates function.<br>Opens submenu.  |

| Symbol                            | Description   |
|-----------------------------------|---|
|                                   | <b>Press the Confirm symbol together with the back icon:</b><br>Jumps back one menu level.  |
|                                   | <b>Arrow with clock:</b><br>It takes more than 10 seconds for the following message to appear in the display.   |
|                                   | <b>Arrow with a time indication:</b><br>It takes the specified amount of time until the following message appears in the display.   |
|                                   | <b>“Open Settings menu” symbol:</b><br>Navigates to the Settings menu and opens the settings menu.<br>If necessary: Navigate to the desired function in the Settings menu.<br>(see 4.2.1 Opening the Settings menu) |
|                                   | <b>“Open Advanced menu” symbol:</b><br>Navigates to the Advanced menu and opens the advanced menu.<br>If necessary: Navigate to the desired function in the Advanced menu.<br>(see 4.2.2 Opening the Advanced menu) |
| No action for 10 seconds          | If you do not perform any action on the display for 10 seconds, the display either jumps back to the higher-level menu or directly to the status display.   |
| Opening door and closing it again | If you open the door and immediately close it again, the display jumps directly back to the status display.   |


*Note: Illustrations of the display are shown in the English version.*

### 4.2 Menus

The appliance functions can be found in various menus.

| Menu              | Description   |
|-------------------|---|
| Main menu         | When you switch the appliance on, you are automatically in the main menu.<br>From here you can navigate to the most important appliance functions, to the Settings menu and to the Advanced menu. |
| <br>Settings menu | The Settings menu contains additional appliance functions for setting up your appliance.<br>(see 4.2.1 Opening the Settings menu)   |

# Putting into operation

| Menu   | Description   |
|--|---|
| <br>Advanced menu | The advanced menu contains special appliance functions for setting up your appliance. Access to the Advanced menu is protected by the numerical code <b>151</b> . (See 4.2.2 Opening the Advanced menu) |

## 4.2.1 Opening the Settings menu

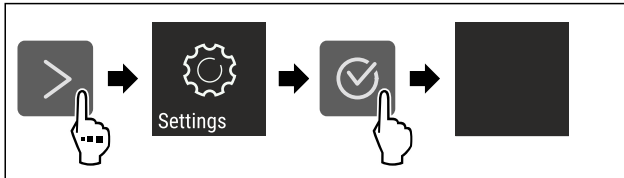


Fig. 60 Example illustration

- ▶ Carry out action steps according to the illustration.
- ▶ Settings menu is open.
- ▶ If necessary: Navigate to the desired function.

## 4.2.2 Opening the Advanced menu

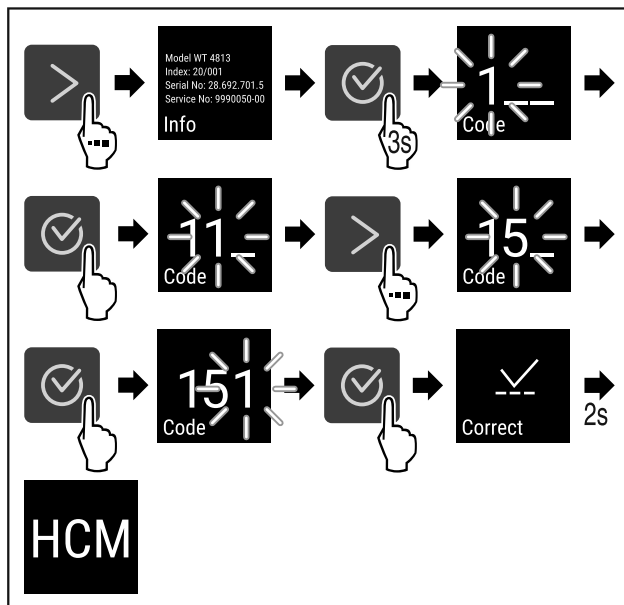


Fig. 61 Access with numerical code **151**

- ▶ Carry out action steps according to the illustration.
- ▶ The expanded menu is open.
- ▶ If necessary: Navigate to the desired function.

## 4.3 Sleep mode

If you do not touch the display for 1 minute, the display switches to sleep mode. In sleep mode, the display brightness is dimmed.

### 4.3.1 Ending sleep mode

- ▶ Press any navigation key.
- ▶ Sleep mode is ended.

# 5 Putting into operation

## 5.1 Switching on appliance (first use)

Make sure the following prerequisites are met:

- Appliance is installed and connected.
- All adhesive strips, adhesive and protective films and transport locks are removed from inside and outside the appliance.

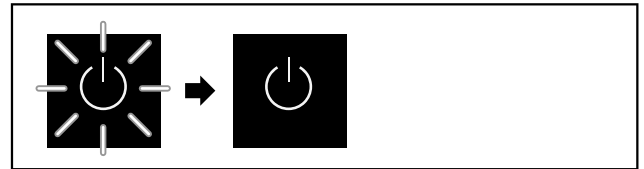


Fig. 62 Example illustration

The standby symbol flashes until the startup process is complete.

The standby symbol is shown in the display.

If the appliance has been supplied with factory settings, the screen language first needs to be selected when using for the first time.

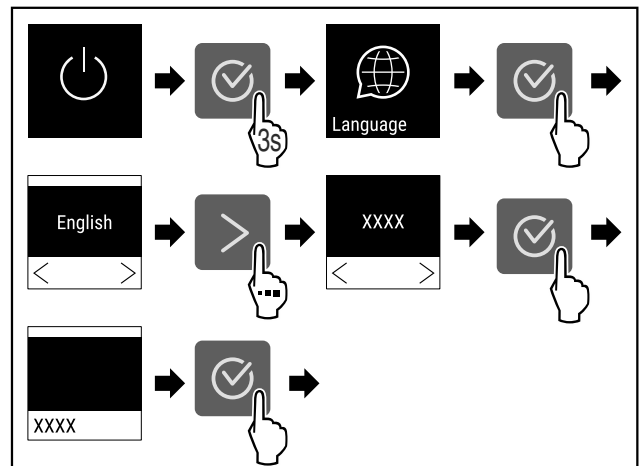


Fig. 63

- ▶ Carry out action steps according to the illustration.



Fig. 64

- ▶ The appliance is switched on once the temperature appears in the display.
- ▶ The temperature display flashes until the set temperature is reached.

# 6 Storage

## 6.1 Information regarding storage

### Note

Failure to follow these guidelines can lead to food becoming spoiled.

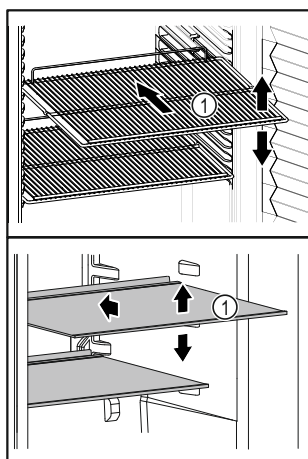


Fig. 65 Example illustration

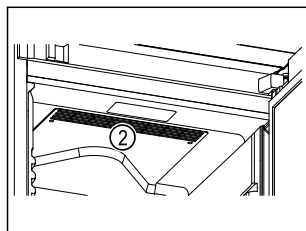


Fig. 66

When stocking observe the following:

- If storage surfaces Fig. 65 (1) are movable, adjust them according to height.
- Observe maximum load weight. (see 10.1 Technical specifications)
- Do not load appliance until storage temperature has been reached (maintain cold chain).
- Ventilation slots Fig. 66 (2) for recirculation fan in the interior must be kept clear.
- Refrigerated goods must not touch the rear wall.
- Refrigerated items do not protrude beyond the shelves.
- Keep liquids in closed containers.
- Package raw meat or fish in clean, closed containers. This will prevent meat or fish from touching or dripping onto other food.
- Leave space when storing items for refrigeration to ensure good air circulation.

## 6.2 Storage times

The best-before date specified on the packaging should be used as the reference point for the storage time.

# 7 Controls

## 7.1 Control and display elements

The display provides a quick overview of the current appliance status, the temperature setting, the status of functions and settings as well as alarm and error messages.

It is operated using the navigation arrows and confirmation symbol.

Functions can be activated or deactivated and setting values can be changed.

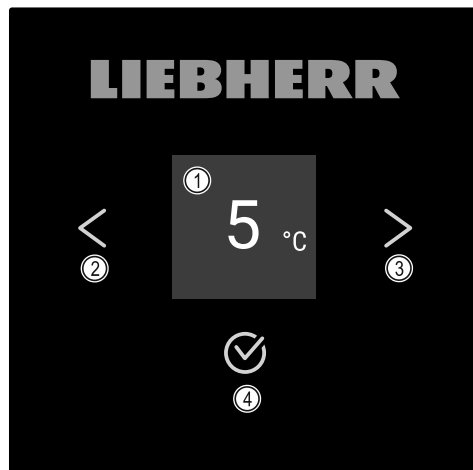


Fig. 67 Display

- (1) Status display
- (2) Backwards navigation arrow
- (3) Forwards navigation arrow
- (4) Confirm

### 7.1.1 Status display

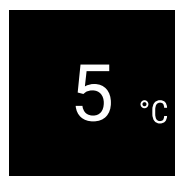


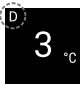


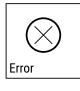




Fig. 68 Status display with temperature

The status display shows the temperature and is the home display. You navigate from here to the other functions and settings. The status display may show a range of display symbols.

### 7.1.2 Display symbols

Display symbols provide information about the status of the appliance.

| Symbol | Appliance status   |
|--------|--|
|        | <b>Standby</b><br>Appliance is switched off.   |
|        | <b>Flashing standby symbol</b><br>Appliance is starting up.  |
|        | <b>Flashing temperature</b><br>Target temperature not yet reached. Appliance cooling to temperature set.                 |
|        | <b>Temperature display</b><br>Appliance displays the set temperature.  |
|        | <b>Display alternating between temperature/defrost symbol with white bar*</b><br>Appliance is in manual defrosting mode* |

| Symbol  | Appliance status   |
|---|--|
|    | <b>D in the display</b><br>Appliance is in DemoMode.                       |
|    | <b>Maintenance reminder</b><br>The time interval set has expired.          |
|    | <b>Flashing symbol</b><br>A fault is still active.                         |
|    | <b>Error symbol</b><br>Appliance is in error state.                        |
|    | <b>White bar at the bottom</b><br>Submenu                                  |
|    | <b>White bar at the top</b><br>Default, active setting or active value     |
|   | <b>Increasing bar</b><br>Press button for 3 seconds to activate setting.   |
|  | <b>Decreasing bar</b><br>Press button for 3 seconds to deactivate setting. |

Status display symbols

## 7.1.3 Acoustic signals

A signal sounds in the following cases:

- If a function or a value is confirmed.
- If a function or a value can either not be activated or not deactivated.
- As soon as an error occurs.
- If there is an alarm message.

The alarms can be switched on and off in the customer menu.

## 7.2 Appliance functions

### 7.2.1 Notes on the appliance functions

The appliance functions are set at the factory so that your appliance is fully functional.

Before you alter, activate or deactivate the device functions, make sure that the following requirements are met:

- You have read and understood the descriptions of how the display works. (see 4 Functionality of the Touch display)
- You have familiarised yourself with the operating and display elements of your appliance. (see 7.1 Control and display elements)

### 7.2.2 Switching appliance on and off



Using this setting the entire appliance can be switched on and off.

#### Switching on appliance

**Without activated DemoMode:**

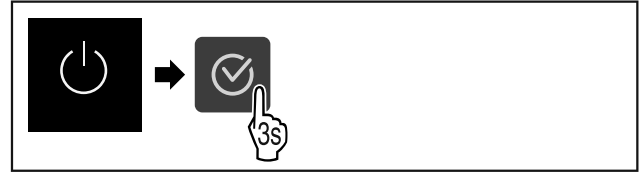


Fig. 69

► Carry out action steps according to the illustration.

**With activated DemoMode:**

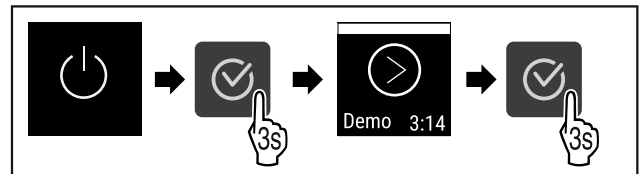


Fig. 70

► Carry out action steps according to the illustration.

#### Note

Deactivate DemoMode before countdown finishes.



Fig. 71

► The temperature appears in the display.

#### Switching off appliance

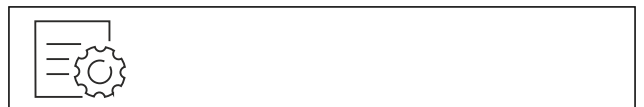


Fig. 72

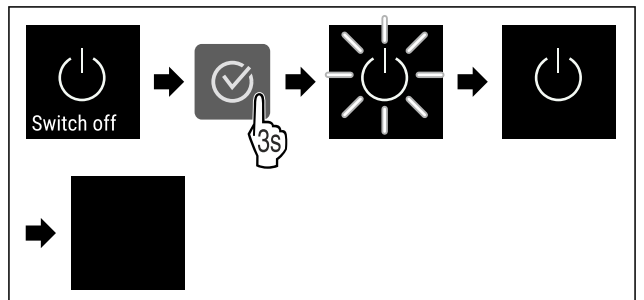


Fig. 73

- Carry out action steps according to the illustration.
- Standby symbol is shown in the display.
- Display switches off after approximately 10 minutes.



### 7.2.3 Temperature

The temperature depends on the following factors:

- How often the door is opened
- How long the door is open for

- The room temperature of the installation site
- The type, temperature and amount of refrigerated items

## Note

The temperature may differ from the temperature displayed in some areas of the interior.

At the correct temperature, refrigerated items will keep for longer. This avoids disposing of food unnecessarily.

## Setting temperature



Fig. 74

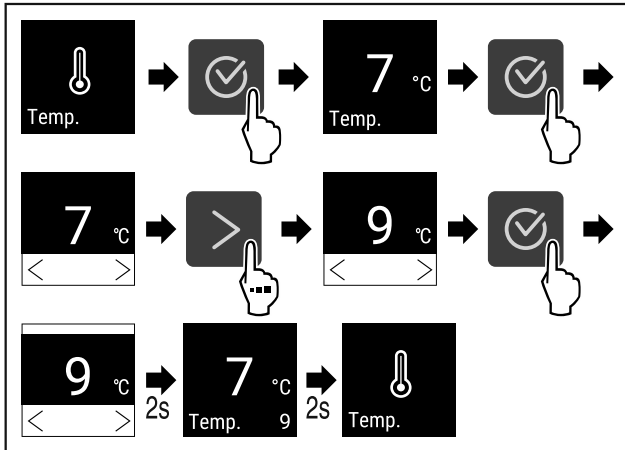


Fig. 75 Changing temperature from 7 °C to 9 °C

- ▶ Carry out action steps according to the illustration.
- ▶ Temperature is set.

## 7.2.4 Lighting



The appliance is fitted with interior lighting. You can keep the interior lighting on continuously. (see Switching on lighting\*) \* When you open the appliance door, the interior lighting switches on.

### Switching off lighting\*

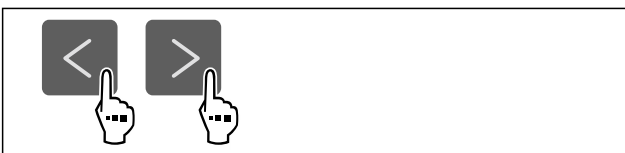


Fig. 76

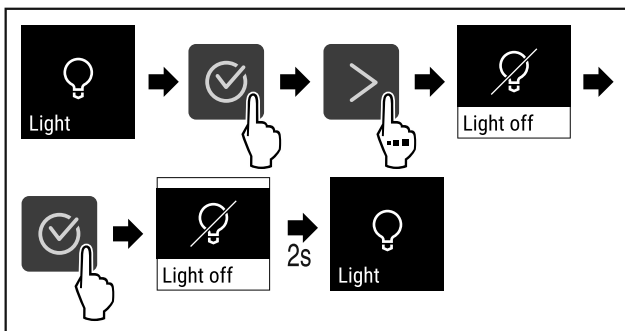


Fig. 77

- ▶ Carry out action steps according to the illustration.

- ▶ Lighting is switched off.

### Switching on lighting\*

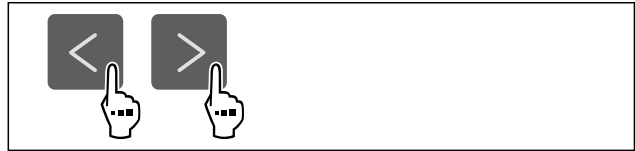


Fig. 78

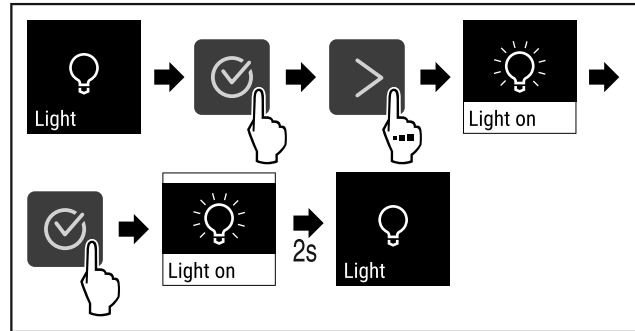


Fig. 79

- ▶ Carry out action steps according to the illustration.
- ▶ Lighting is switched on.

## 7.2.5 Lighting intensity



This setting allows the interior brightness to be adjusted incrementally.

The following brightness values can be set:

- 20%
- 40%
- 60%
- 80%
- 100% (default)

### Setting lighting intensity

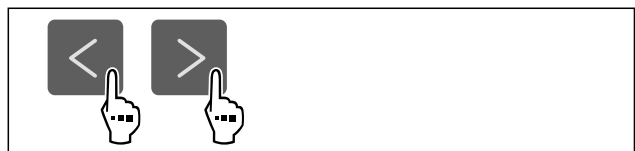


Fig. 80

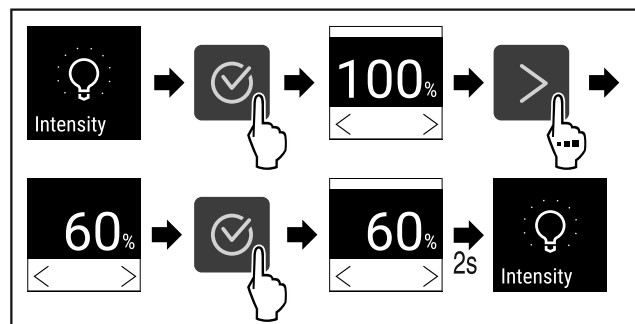


Fig. 81

- ▶ Carry out action steps according to the illustration.
- ▶ The lighting intensity increases or decreases accordingly.

## 7.2.6 SuperCool



You can use this function to activate or deactivate SuperCool. If SuperCool is activated, then the appliance increases the cooling capacity. It allows you to achieve lower cooling temperatures. You can activate SuperCool when you would like to cool a large quantity of food quickly.

If the function is active, the appliance operates at higher power. As a result, the appliance's operating noise may be temporarily louder and energy consumption will increase.

### Activating SuperCool



Fig. 82

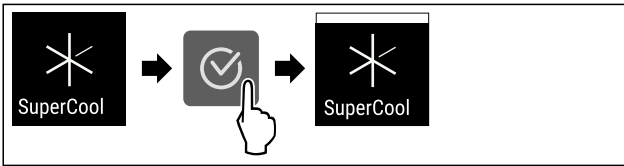


Fig. 83

- ▶ Carry out action steps according to the illustration.
- ▶ SuperCool is activated.

### Deactivating SuperCool

SuperCool is automatically deactivated after 6 to 12 hours depending on the quantity of the food inserted. However, you can also deactivate SuperCool manually at any time:



Fig. 84

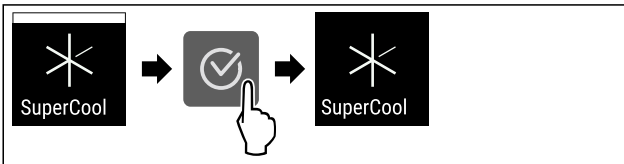


Fig. 85

- ▶ Carry out action steps according to the illustration.
- ▶ SuperCool is deactivated.
- ▶ The appliance continues to run in normal mode.
- ▶ The appliance cools to the temperature set previously.

## 7.2.7 HumiditySelect



The following levels can be set:

- Standard (Low)
- Medium
- High

### Increasing the humidity in the appliance

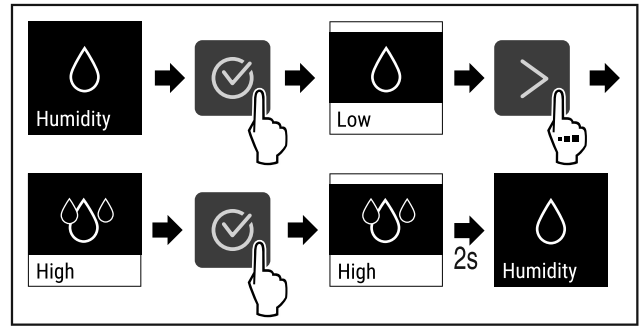


Fig. 86

- ▶ Carry out action steps according to the illustration.
- ▶ Humidity in the appliance increases.

### Setting the humidity in the appliance to standard

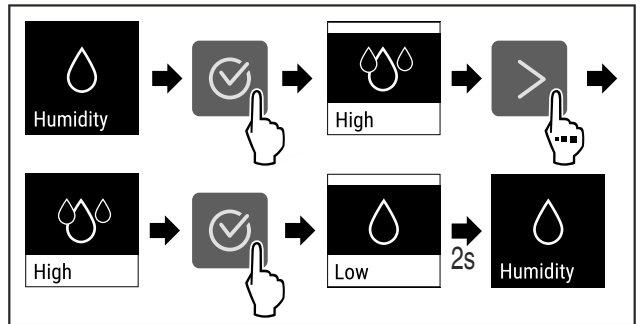


Fig. 87

- ▶ Carry out action steps according to the illustration.
- ▶ Humidity in the appliance decreases.

## 7.2.8 Display lock



This setting avoids accidental operation of the appliance.

Application:

- Prevent settings and functions being changed unintentionally.
- Prevent the appliance being switched off unintentionally.
- Prevent temperature being set unintentionally.

### Activating display lock



Fig. 88

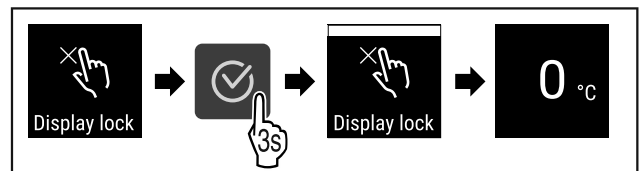


Fig. 89

- ▶ Carry out action steps according to the illustration.
- ▶ The display lock is activated.
- ▶ The status display appears.

## Deactivating display lock

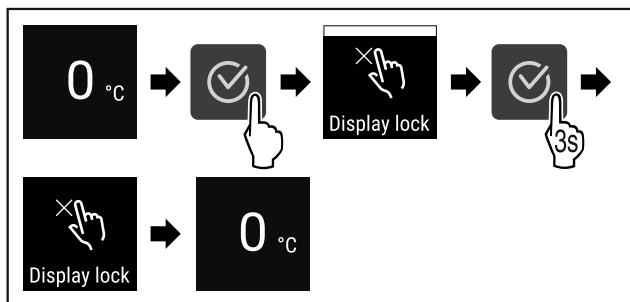


Fig. 90

- ▶ Carry out action steps according to the illustration.
- ▶ The display lock is deactivated.
- ▶ The status display appears.

## 7.2.9 Maintenance interval reminder



Setting for the time interval after which a maintenance reminder is issued.

The following values can be set:

- 7 days
- 14 days
- 30 days
- 60 days
- 90 days
- 180 days
- 360 days
- 720 days
- 1080 days
- Off

### Setting maintenance interval reminder

The following steps describe how the maintenance interval is set.



Fig. 91

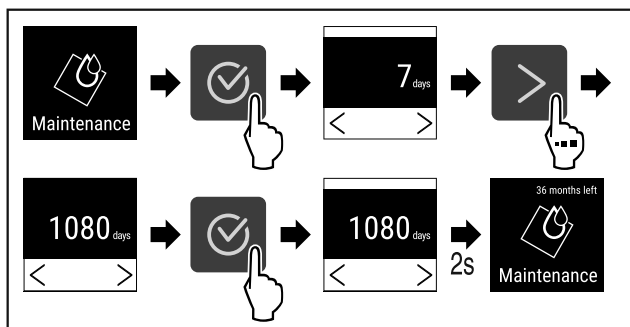


Fig. 92

- ▶ Carry out action steps according to the illustration.
- ▶ The time interval, after which the maintenance reminder is issued, is set.
- ▶ The remaining time is displayed.

## 7.2.10 Language



This setting allows the display language to be set.

## Setting language



Fig. 93

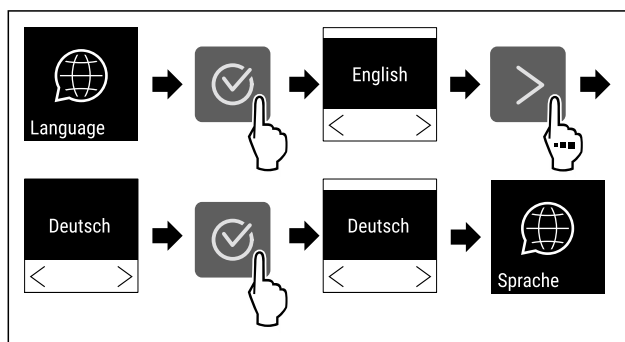


Fig. 94

- ▶ Carry out action steps according to the illustration.
- ▶ The selected language is set.

## 7.2.11 Temperature unit



Use this function to set the temperature unit. You can set degrees Celsius or degrees Fahrenheit as the temperature unit.

### Setting the temperature unit

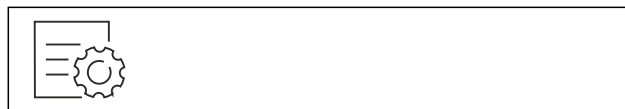


Fig. 95

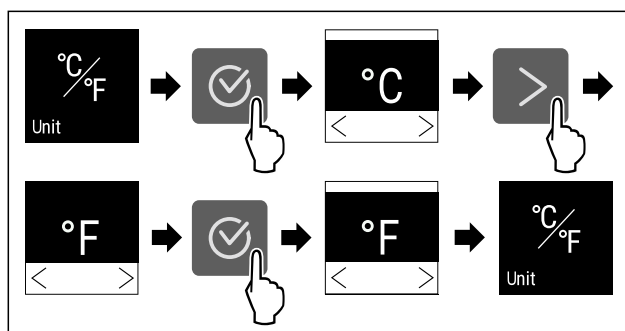


Fig. 96 Example illustration: Switch from degrees Celsius to degrees Fahrenheit.

- ▶ Carry out action steps according to the illustration.
- ▶ The temperature unit is set.

## 7.2.12 Display brightness



Use this function to set the display brightness in stages.

You can select the following brightness levels:

- 40 %
- 60 %
- 80 %
- 100 % (pre-setting)

# Controls

## Setting the brightness



Fig. 97

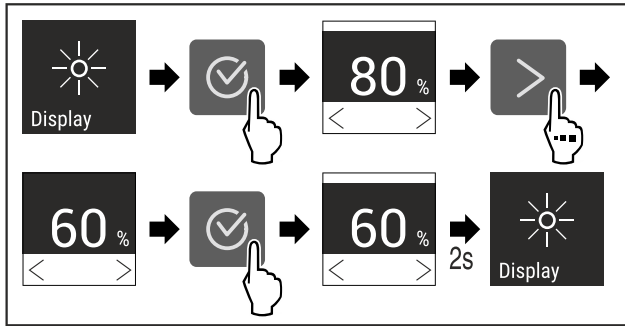


Fig. 98 Example illustration: Switch from 80 % to 60 %.

- ▶ Carry out action steps according to the illustration.
- ▷ The brightness is set.



## 7.2.13 Alarm Sound

Alarm sound \*

This function enables all alarm sounds, such as door alarm, to be switched on and off.

### Activating Alarm Sound

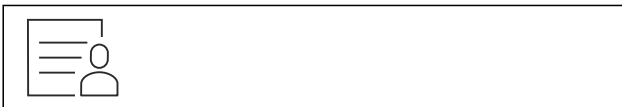


Fig. 99

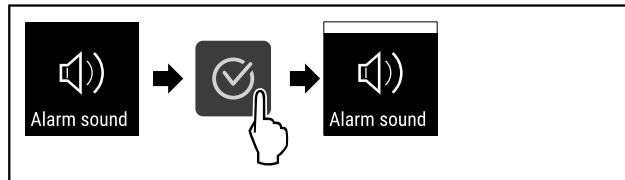


Fig. 100

- ▶ Carry out action steps according to the illustration.
- ▷ Alarm Sound is activated.

### Deactivating Alarm Sound



Fig. 101

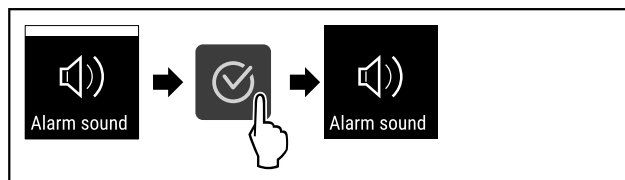


Fig. 102

- ▶ Carry out action steps according to the illustration.
- ▷ Alarm Sound is deactivated.



## 7.2.14 WiFi connection

WiFi \*

### Note

Liebherr SmartMonitoring Dashboard is not available in all countries. Check availability via the QR code by entering your model.

### Note

Use of the Liebherr SmartMonitoring Dashboard at <https://smartmonitoring.liebherr.com> requires installation of a SmartModule and a commercial MyLiebherr account. When commissioning online you can register using the login data you have, or register again and create a company account.

This setting establishes a wireless connection between the appliance and the internet. The connection is controlled via the SmartModule. The appliance can be integrated via the browser-based [Liebherr SmartMonitoring Dashboard](#) and advanced options as well as customised methods relating to control, administration and monitoring can be used.

### Note

You can obtain accessories from customer service (see 10.3 Customer Service) or from specialised dealers via the dealer search on our service page on the Internet:

[home.liebherr.com](http://home.liebherr.com)

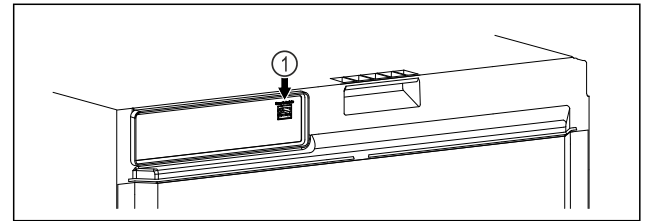


Fig. 103

Make sure that the following requirements are fulfilled:

- SmartModule Fig. 103 (1) has been inserted.

### Establishing connection

You commission and set up your SmartModule online via the [Liebherr SmartMonitoring Dashboard](#) on your web-enabled device.

On the [Liebherr SmartMonitoring Dashboard](#), information is also available about retrofitting the SmartModule.\*



Fig. 104

- ▶ Open the [Liebherr SmartMonitoring Dashboard](#) (see Fig. 104).

On the refrigerator or freezer:



Fig. 105

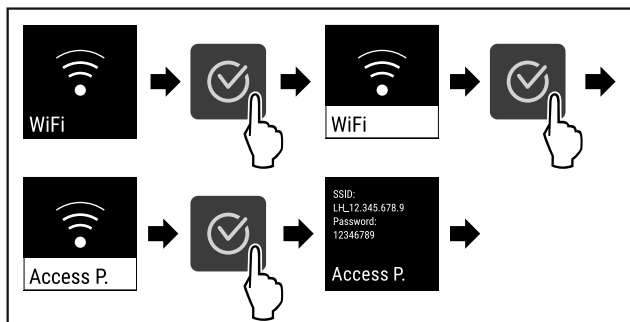


Fig. 106

- ▶ Carry out action steps according to the illustration.
- ▶ Continue the set-up procedure on your web-enabled device: [Liebherr SmartMonitoring Dashboard](#)

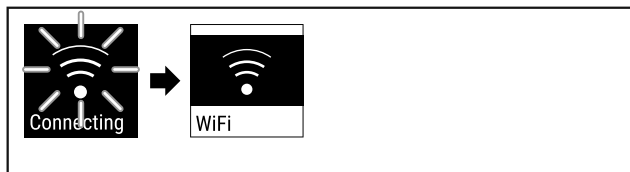


Fig. 107

- ▶ Connection is established.
- ▶ WiFi connecting appears. The symbol flashes.
- ▶ Follow the [Liebherr SmartMonitoring Dashboard](#) instructions.
- ▶ Connection is established.

### Disconnecting

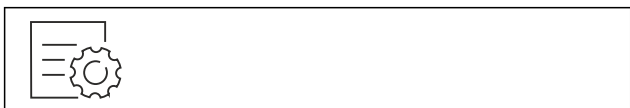


Fig. 108

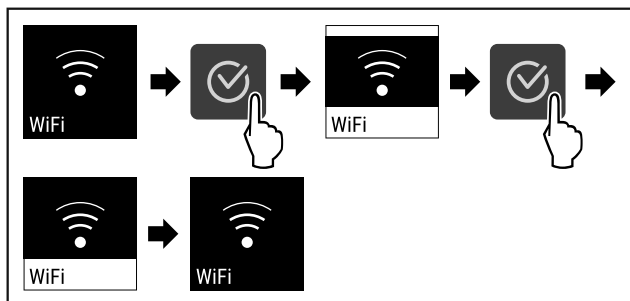


Fig. 109

- ▶ Carry out action steps according to the illustration.
- ▶ There is no connection.

### Resetting connection

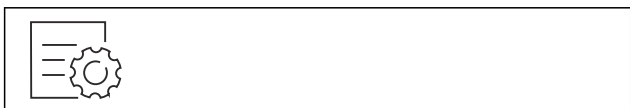


Fig. 110

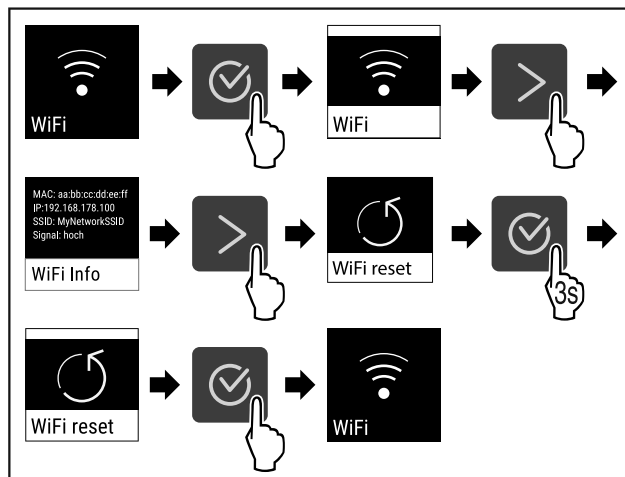


Fig. 111

- ▶ Carry out action steps according to the illustration.
- ▶ The WiFi settings are restored to the factory settings.



### 7.2.15 LAN connection

#### Note

Liebherr SmartMonitoring Dashboard is not available in all countries. Check availability via the QR code by entering your model.

#### Note

Use of the Liebherr SmartMonitoring Dashboard at <https://smartmonitoring.liebherr.com> requires installation of a SmartModule and a commercial MyLiebherr account. When commissioning online you can register using the login data you have, or register again and create a company account.

This setting establishes a wired connection between the appliance and the internet. The connection is controlled via the SmartModule. The appliance can be integrated via the browser-based [Liebherr SmartMonitoring Dashboard](#) and advanced options as well as customised methods relating to control, administration and monitoring can be used.

#### Note

You can obtain accessories from customer service (see 10.3 Customer Service) or from specialised dealers via the dealer search on our service page on the Internet:

[home.liebherr.com](http://home.liebherr.com)

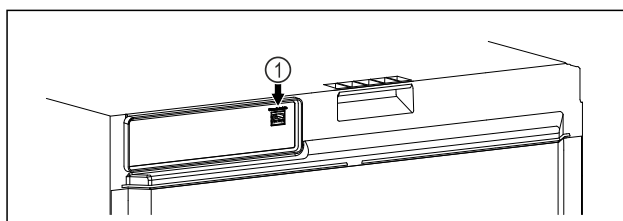


Fig. 112

Make sure that the following requirements are fulfilled:

- SmartModule Fig. 112 (1) has been inserted.
- A network cable is connected.
- The network is connected to the internet.

#### Establishing connection

You commission and set up your SmartModule online via the [Liebherr SmartMonitoring Dashboard](#) on your web-enabled device.

# Controls

On the [Liebherr SmartMonitoring Dashboard](#), information is also available about retrofitting the SmartModule.\*



Fig. 113

- ▶ Open the [Liebherr SmartMonitoring Dashboard](#) (see Fig. 113).

On the refrigerator or freezer:



Fig. 114

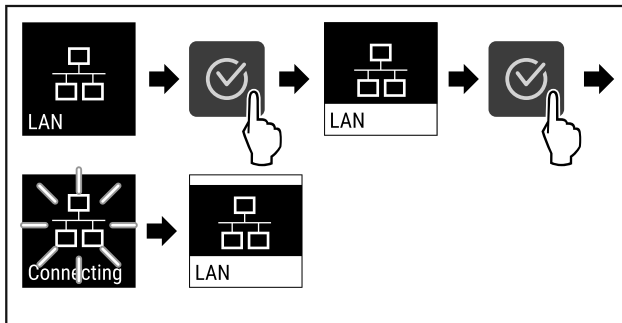


Fig. 115

- ▶ Carry out action steps according to the illustration.
- ▶ Connection is established: LAN connecting appears. The symbol flashes.
- ▶ Follow the [Liebherr SmartMonitoring Dashboard](#) instructions.
- ▶ Connection is established.

## Disconnecting



Fig. 116

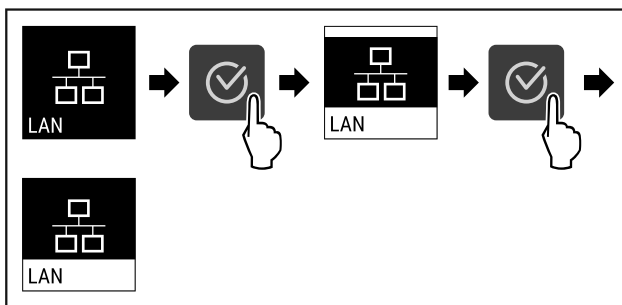


Fig. 117

- ▶ Carry out action steps according to the illustration.
- ▶ There is no connection.

## 7.2.16 Device information



Use this function to indicate the model name, index, serial number and service number of your device. You will need the device information when you contact customer service. (see 10.3 Customer Service)

This function also opens the Advanced menu. (see 4 Functionality of the Touch display)

## Indicating the device information



Fig. 118



Fig. 119

- ▶ Carry out action steps according to the illustration.
- ▶ Display indicates device information.

## 7.2.17 Operating hours



The display shows the appliance operating hours.

### Displaying operating hours



Fig. 120



Fig. 121

- ▶ The operating hours appear.

## 7.2.18 Software



Use this function to indicate the software version of your device.

### Indicating the software version

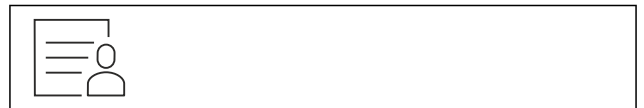


Fig. 122



Fig. 123

- ▶ Carry out action steps according to the illustration.
- ▶ Display indicates software version.

## 7.2.19 Defrosting



The appliance defrosts automatically in normal operation.

Application:

- If there is heavy icing in the interior, the automatic defrosting function can be started manually.

## Starting automatic defrosting manually

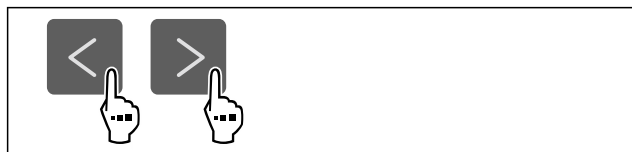


Fig. 124

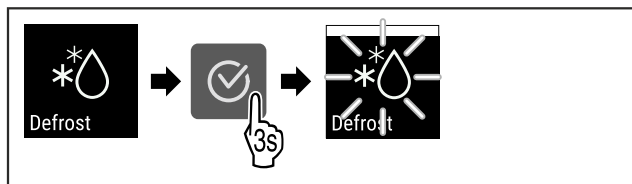


Fig. 125

- ▶ Carry out action steps according to the illustration.
- ▶ Automatic defrosting is started. When the defrosting process is complete, the appliance automatically switches back to normal operation.

### Note

If there is still ice in the interior after the automatic defrosting has been started several times, defrost the appliance manually. (see 9.1 Defrosting appliance)

## Cancelling a manually started defrosting

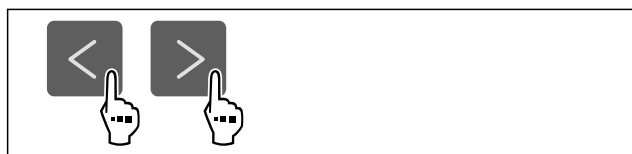


Fig. 126

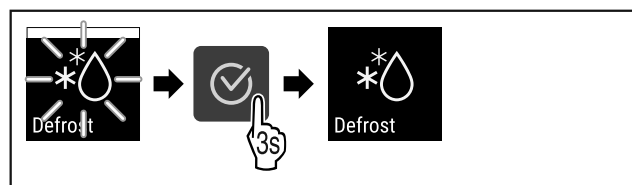


Fig. 127

- ▶ Carry out action steps according to the illustration.
- ▶ Manually started defrosting is cancelled. The appliance automatically switches back to normal operation.

## 7.2.20 Door alarm



Use this function to activate or deactivate the door alarm. The door alarm sounds if the door is open for too long. The door alarm is activated on delivery. You can set how long the door may be open before the door alarm sounds.

### Setting the door alarm



Fig. 128

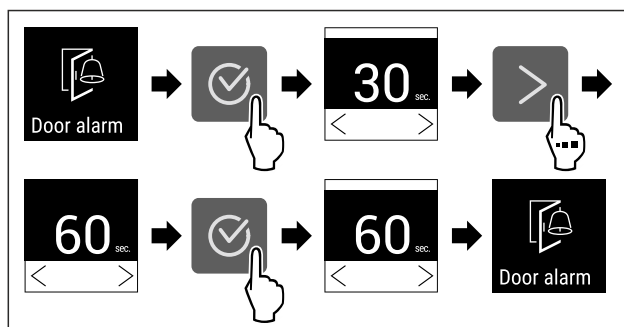


Fig. 130 Example illustration: Switch door alarm from 30 seconds to 60 seconds.

- ▶ Carry out action steps according to the illustration.
- ▶ The door alarm is set.

### Deactivating the door alarm



Fig. 131

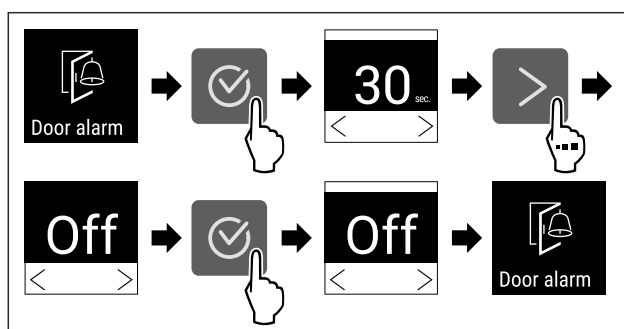


Fig. 132

- ▶ Carry out action steps according to the illustration.
- ▶ The door alarm is deactivated.

## 7.2.21 Light alarm



This setting allows the visual alarm messages in the display to also be emphasised by flashing appliance lighting.

### Activating light alarm



Fig. 133

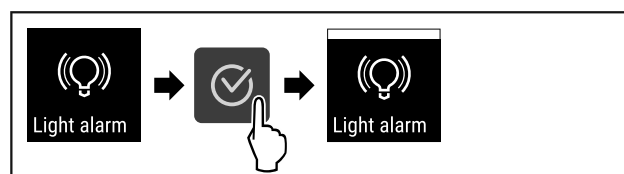


Fig. 134

- ▶ Carry out action steps according to the illustration.
- ▶ The light alarm is activated.

### Deactivating light alarm



Fig. 135

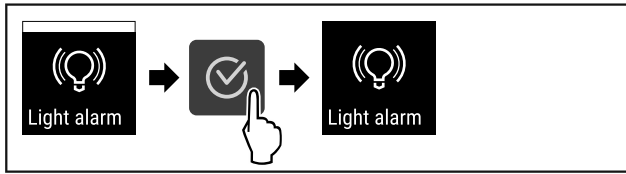


Fig. 136

- ▶ Carry out action steps according to the illustration.
- ▷ The light alarm is activated.

## 7.2.22 Demo mode



Demo mode is a special feature for dealers who want to demonstrate appliance features. If you activate demo mode, all refrigeration functions are deactivated.

If you switch on your appliance and a “D” appears on the status display, demo mode is already activated.

If you activate and then deactivate demo mode, the appliance will be reset to factory defaults. (see 7.2.23 Resetting to factory settings )

### Activating demo mode



Fig. 137

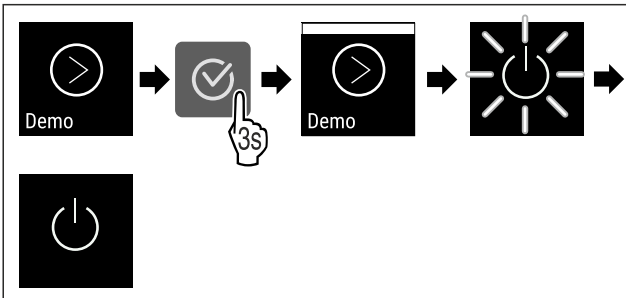


Fig. 138

- ▶ Carry out action steps according to the illustration.
- ▷ Demo mode is activated.
- ▷ Appliance is switched off.
- ▶ Switch on the appliance. (see 5.1 Switching on appliance (first use))
- ▷ “D” appears in the status display.

### Deactivating demo mode



Fig. 139

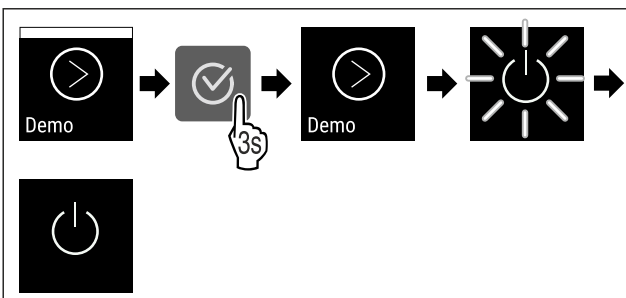


Fig. 140

- ▶ Carry out action steps according to the illustration.
- ▷ Demo mode is deactivated.
- ▷ Appliance is switched off.
- ▶ Switch on the appliance. (see 5.1 Switching on appliance (first use))
- ▷ Appliance is reset to factory settings.

## 7.2.23 Resetting to factory settings



Use this function to reset all settings to factory defaults. All settings you have made so far are reset to their original settings.

### Performing a reset



Fig. 141

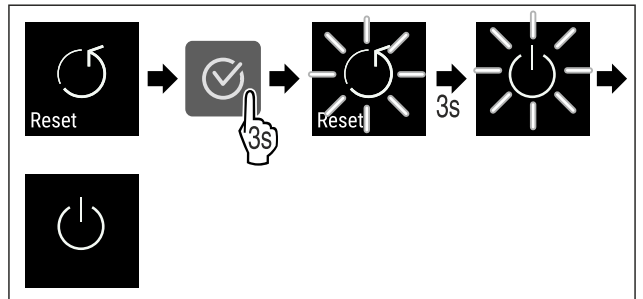




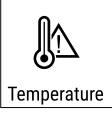


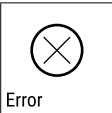

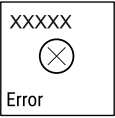

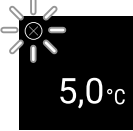
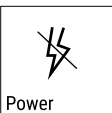

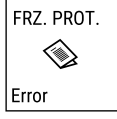



Fig. 142

- ▶ Carry out action steps according to the illustration.
- ▷ Device is reset.
- ▷ Device is switched off.
- ▶ Restart the device. (see 5.1 Switching on appliance (first use))

## 7.3 Messages

### 7.3.1 Warnings



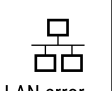



Warnings are issued by means of an audio signal and visually via a symbol on the display. The signal gets louder until the warning is acknowledged.

| Message   | Cause   | Remedy  |
|---|---|---|
| <br>Door open<br><b>Door open</b>           | This message appears if the door is open for too long.  | Close the door.<br>Press the confirmation button.<br>Alarm is ended.<br><b>Note</b><br>You can set how long it takes for this message to appear (see 7.2.20 Door alarm ).    |
| <br>Temperature<br><b>Temperature alarm</b> | This message appears if the temperature does not match the set temperature. Reasons for the differences in temperature can be:<br>- Warm items for refrigeration have been placed inside.<br>- Too much warm room air flowed in when rearranging and removing refrigerated products.<br>The power was cut off for a prolonged period. | Press the confirmation button.<br>Warmest temperature is displayed.<br><br>Press the confirmation button.<br>The current temperature flashes and the display alternates with the temperature alarm symbol until the set temperature is reached.<br><br>Check the quality of the refrigerated goods.   |
| <br>Error<br><b>Error</b>                   | The appliance is defective, there is an appliance fault or a component of the appliance is faulty.  | Transfer refrigerated goods.<br>Press the confirmation button.<br>Error code is displayed.<br> <br>Press the confirmation button.<br>If present, another error code is indicated.<br><b>or</b><br>Status screen with flashing error symbol is displayed<br>Pressing the navigation buttons indicates error code(s) again.<br>Note the error code(s) and contact customer service.<br>  |
| <br>Power<br><b>Power failure</b>         | The message appears after an interruption in the power supply if the temperature is above the alarm limit when the power returns.   | Press the confirmation button.<br>The warmest temperature is displayed.<br> <br>Press the confirmation button.<br>Alarm is cancelled and current temperature is indicated.<br>Check the quality of the refrigerated goods.<br>   |
| <br>WiFi error *<br><b>WLAN error*</b>    | WLAN connection is interrupted.*  | Check the connection.*<br>Press the confirmation button.*<br>Alarm is ended.*<br>  |

\* Depending on model and options





# Features

| Message  | Cause   | Remedy  |
|--|---|---|
| <br>WWW error *<br><b>WLAN WWW error*</b> | The message appears if there is no Internet connection via WLAN.* | Check the connection.*<br>Press the confirmation button.*<br>Alarm is ended.*  *               |
| <br>LAN error *<br><b>LAN error*</b>      | LAN connection is interrupted.*                                   | Check connection and network cable.*<br>Press the confirmation button.*<br>Alarm is ended.*  * |
| <br>WWW error *<br><b>LAN WWW error*</b>  | The message appears if there is no Internet connection via LAN.*  | Check the connection.*<br>Press the confirmation button.*<br>Alarm is ended.*  *               |

## 7.3.2 Reminder

Reminders appear when you are being asked to do something. They are issued by means of an audio signal and visually via a symbol on the display. Acknowledge the message by pressing the confirmation button.

| Message  | Cause  | Remedy   |
|--|--|--|
| <br>Maintenance<br><b>Maintenance reminder</b> | The message appears when the timer for the set maintenance interval has expired. | <br>Press the confirmation button.<br>Alarm is ended.<br><b>Note</b><br>The maintenance interval can be set (see 7.2.9 Maintenance interval reminder ). |

## 8 Features

### 8.1 Safety lock

The lock in the appliance door is equipped with a safety mechanism.

#### 8.1.1 Locking appliance

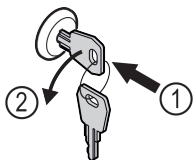


Fig. 143 Example illustration

- ▶ Insert key.
- ▶ Turn key anticlockwise by 90°.
- ▷ The appliance is locked.

#### 8.1.2 Unlocking appliance

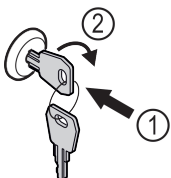


Fig. 144 Example illustration

- ▶ Insert key Fig. 144 (1).
- ▶ Turn key clockwise by 90° Fig. 144 (2).
- ▷ The appliance is unlocked.

## 9 Maintenance

### 9.1 Defrosting appliance



#### WARNING

Improper defrosting of the appliance!  
Injuries and damage.

- ▶ Do not use mechanical equipment or other methods to speed up the defrosting process other than those recommended by the manufacturer.
- ▶ Do not use electrical heating or steam-cleaning appliances, naked flames or defroster sprays to defrost.
- ▶ Do not use sharp objects to remove ice.

Defrosting is performed automatically. The defrost water drains through the opening and evaporates.

To maintain the functionality of the appliance, we recommend defrosting it when there is a high buildup of ice. Icing in the interior is determined by the location (e.g. high humidity), settings on the appliance and incorrect user behaviour.

If the automatic defrosting cycle is insufficient: \*

- ▶ Start automatic defrosting manually. (see 7.2.19 Defrosting \*) \*

If the problem persists, defrost the appliance manually:\*

If automatic defrosting is insufficient, defrost the appliance manually:\*

- ▶ Switch off appliance. (see 7.2.2 Switching appliance on and off )
- ▶ Pull out mains plug.
- ▶ Store refrigerated items elsewhere.
- ▶ Leave appliance door open during defrosting process.
- ▶ Soak up remaining defrost water with a cloth, clean drain opening and the appliance.

## 9.2 Cleaning the appliance

### 9.2.1 Preparing



#### WARNING

Short-circuit hazard due to live parts!  
Electric shock or damage to the electronics.

- ▶ **Switch off the appliance.**
- ▶ Pull out mains plug or switch off fuse.



#### WARNING

Risk of fire

- ▶ Do not damage the refrigeration circuit.

- ▶ Empty the appliance.
- ▶ Pull out the mains plug.
- ▶ Observe the notes on transporting the appliance.

### 9.2.2 Cleaning housing

#### NOTICE

Improper cleaning!  
Damage to the appliance.

- ▶ Only use soft cleaning cloths and ph-neutral all-purpose cleaners.
- ▶ Do not use abrasive sponges or steel wool which may cause scratches.
- ▶ Do not use any sharp or abrasive cleaning agents, nor any that contain sand, chloride or acid.



#### WARNING

Risk of injury and damage as a result of hot steam!  
Hot steam can lead to burns and can damage the surfaces.

- ▶ Do not use any steam cleaners!

#### NOTICE

Risk of damage due to short circuit.

- ▶ When cleaning the appliance, make sure no water gets into the electrical components.
- ▶ Wipe the housing down with soft, clean cloth. If very dirty, use lukewarm water with a neutral cleaner. Glass surfaces can also be cleaned with glass cleaner.
- ▶ Clean condenser coil each year. If the condenser coil is not cleaned, this significantly reduces the efficiency of the appliance.

### 9.2.3 Cleaning interior



#### WARNING

Short-circuit hazard due to live parts!  
Electric shock or damage to the electronics.

- ▶ **Switch off the appliance.**
- ▶ Pull out mains plug or switch off fuse.



#### WARNING

Risk of injury and damage as a result of hot steam!  
Hot steam can lead to burns and can damage the surfaces.

- ▶ Do not use any steam cleaners!

#### NOTICE

Improper cleaning!  
Damage to the appliance.

- ▶ Only use soft cleaning cloths and ph-neutral all-purpose cleaners.
- ▶ Do not use abrasive sponges or steel wool which may cause scratches.
- ▶ Do not use any sharp or abrasive cleaning agents, nor any that contain sand, chloride or acid.

#### Note

- ▶ Defrost water drain (see 2.2 Overview of the appliance and equipment) : Remove deposits using a thin material (for example a cotton bud).

#### Note

Do not damage or remove the type plate on the inside of the appliance. The type plate is important for Customer Service. (see 10.3 Customer Service)

- ▶ Open the door.
- ▶ Empty the appliance.
- ▶ Clean interior and equipment parts with lukewarm water and a little detergent. Do not use any gritty or acidic cleaning agent or any chemical solvent.

### 9.2.4 After cleaning

- ▶ Wipe appliance and equipment parts dry.
- ▶ Connect and switch on appliance. Once the temperature is sufficiently cold:
- ▶ put in items for refrigeration goods.
- ▶ Repeat cleaning regularly.
- ▶ Clean and remove dust from the refrigeration unit with heat exchanger once a year.

## 10 Customer help

### 10.1 Technical specifications

| Temperature range |                                      |
|-------------------|--------------------------------------|
| Cooling           | +1 °C to +15 °C*<br>-2 °C to +15 °C* |

| Maximum load per shelf <sup>A)</sup> |        |        |        |
|--------------------------------------|--------|--------|--------|
| Appliance width                      | 550 mm | 600 mm | 750 mm |
| Grid shelves                         | --     | 45 kg  | 60 kg  |
| Glass shelf                          | 40 kg  | 40 kg  | 40 kg  |
| Drawer (freezer appliances)          | 15 kg  | 15 kg  | 15 kg  |

# Customer help

A) Heavier loads may result in a slight bending of the shelves.

| Net capacity  |
|---|
| See net capacity on the type plate. (see 2.2 Overview of the appliance and equipment) |

| Lighting*   |               |
|---|---------------|
| Energy efficiency class A) *  | Light source* |
| This product contains one or more energy efficiency class G light sources | LED           |

A) The appliance may contain light sources with different energy efficiency classes. The lowest energy efficiency class is indicated.

| WLAN frequency specification* |         |
|-------------------------------|---------|
| Frequency band                | 2.4 GHz |

| WLAN frequency specification*     |  |
|-----------------------------------|--|
| Maximum radiated power            | <100 mW  |
| Purpose of the wireless equipment | Integration in the local WiFi network for data communication |

## 10.2 Technical fault

Your appliance is designed and built to ensure it works reliably and has a long service life. In the unlikely event that a fault occurs during operation, please check whether the fault is due to an operating error. If this is the case, you will be charged for the cost incurred even if this falls within the warranty period.

You can fix the following faults yourself.

### 10.2.1 Appliance function

| Defect                                 | Cause  | Remedy   |
|--|--|--|
| <b>The appliance is not working.</b>   | → The appliance is not switched on.                                  | ▶ Switch on the appliance.   |
|  | → The mains plug is not properly plugged into the socket.            | ▶ Check the mains plug.  |
|  | → There is something wrong with the fuse in the socket.              | ▶ Check fuse.  |
|  | → Power cut  | ▶ Keep the appliance closed.<br>▶ Protect food: Lay cold storage accumulator on top of the food or use another freezer if the power is off for a prolonged period. |
|  | → The IEC socket is not plugged into the appliance correctly.        | ▶ Check the IEC socket.  |
| <b>Temperature is not cold enough.</b> | → The appliance door is not closed properly.                         | ▶ Close appliance door.  |
|  | → Ventilation is not sufficient.                                     | ▶ Clear ventilation grille and clean it.   |
|  | → The ambient temperature is too high.                               | ▶ Ensure the correct ambient conditions: (see 2.4 Range of use of appliance)   |
|  | → The appliance was opened too many times or for too long.           | ▶ Wait to see if the appliance goes back to the required temperature by itself. If not, contact Customer Service. (see 10.3 Customer Service)                      |
|  | → The temperature is set incorrectly.                                | ▶ Set a colder temperature and check after 24 hours.   |
|  | → The appliance is too close to a heat source (oven, radiator, etc). | ▶ Change where the appliance or the heat source are located.   |

## 10.3 Customer Service

First check whether you can remedy the fault yourself. If this is not the case, please contact Customer Service.

You can find the address in the enclosed brochure "Liebherr-Service" or at [home.liebherr.com/service](http://home.liebherr.com/service).



### WARNING

Unprofessional repair!  
Injuries.

- ▶ Have any repairs and action - not expressly specified - on the appliance and mains cable carried out by service personnel only. (see 9 Maintenance)
- ▶ A damaged mains cable may only be replaced by the manufacturer, the manufacturer's Customer Service or a similarly qualified person.
- ▶ In the case of appliances with an IEC connector, the change may be made by the customer.

## 10.3.1 Contacting Customer Service

Make sure you have the following appliance data at the ready:

- Appliance name (model and index)
- Service no. (Service)
- Serial no. (S no.)
- ▶ Access the appliance information via the display (see 7.2.16 Device information ).
- or-
- ▶ Refer to the type plate for appliance information. (see 10.4 Type plate)
- ▶ Note down appliance information.
- ▶ Inform Customer Service: Report faults and the appliance information.
- ▶ This will help us to provide a fast and focussed service.
- ▶ Follow any further instructions provided by Customer Service.

## 10.4 Type plate

The type plate is inside the appliance. See appliance overview.

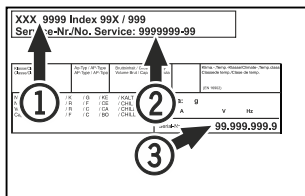


Fig. 145

- (1) Appliance designation      (3) Serial No.  
(2) Service No.

## 11 Shutting down

- ▶ Empty the appliance.
- ▶ Switch off the appliance.
- ▶ Pull the mains plug out of the socket.
- ▶ Remove the IEC socket if required: Pull the IEC socket out of the appliance plug and move it to the left and right at the same time.
- ▶ Clean appliance (see 9.2 Cleaning the appliance).
- ▶ If present: Remove the covers and insulation from the sensor feed-through to prevent mould forming.
- ▶ Leave the door open so that no bad odours form.

### Note

Damage to the appliance and malfunctions!

- ▶ After shutting down, only store the appliance at the permitted room temperature of between -10 °C and +50 °C.

## 12 Disposal

### 12.1 Preparing appliance for disposal



Liebherr uses batteries in some of its appliances. In the EU, for environmental reasons, legislation obliges the end user to remove these batteries before disposing of old appliances. If your appliance contains batteries, a corresponding notice is attached.

**Lamps** If you can remove the lamps yourself without destroying them, also remove these before disposal.

- ▶ Take the appliance out of operation.
- ▶ If possible: remove lamps without destroying them.

### 12.2 Disposing of the appliance in an environmentally friendly manner



The appliance still contains valuable materials and must be disposed of separately from unsorted municipal waste.



Dispose of batteries separately from the old appliance. To do this, you can return the batteries free of charge to retailers as well as recycling centres and collection centres for recyclable materials.

Lamps

Dispose of removed lamps via the respective collection systems.

For Germany:

You can dispose of the appliance free of charge via the class 1 collection containers at the local recycling and recyclable material collection centres. When purchasing a new fridge/freezer, if the sales area > 400 m<sup>2</sup>, retailers will also take back the old appliance free of charge.



### WARNING

Leaking coolant and oil!

Fire. The coolant contained in the appliance is eco-friendly, but also flammable. The oil contained in the appliance is flammable. Escaping coolant and oil can ignite if the concentration is high enough and in contact with an external heat source.

- ▶ Do not damage the pipelines of the coolant circuit and the compressor.

- ▶ Observe the notes on transporting the appliance.
- ▶ Transport the appliance without damaging it.
- ▶ Dispose of batteries, lamps and the appliance according to the above specifications.

## 13 Additional information

Further information on warranty conditions can be found in the enclosed service brochure or on the Internet at <https://home.liebherr.com>.



[home.liebherr.com/fridge-manuals](https://home.liebherr.com/fridge-manuals)

**EN** countertop fridge  
ORIGINAL OPERATOR'S MANUAL

Issue date: 20260204

**Part number index: 7086717-00**

Liebherr-Hausgeräte GmbH  
Memminger Straße 77-79  
88416 Ochsenhausen  
Deutschland

