



## Combined Refrigerator & Freezer

### User Manual

#### Models

<b>ARFS18PV</b>	<b>ARFS18PVMC</b>	<b>MLRFS18</b>	<b>HCRFS181</b>
<b>ARFG18PV</b>	<b>ARFG18PVMC</b>	<b>MLRFG18</b>	<b>HCRFG182</b>
<b>ARFS15PV</b>	<b>ARFS15PVMC</b>	<b>MLRFS15</b>	<b>HCRFS151</b>
<b>ARFG15PV</b>	<b>ARFG15PVMC</b>	<b>MLRFG15</b>	<b>HCRFG152</b>

**BEFORE USE, PLEASE READ AND FOLLOW ALL SAFETY RULES AND OPERATING INSTRUCTIONS**

Write Model and Serial Numbers here:

Model: \_\_\_\_\_

Serial No: \_\_\_\_\_

**Accucold Division of Felix Storch, Inc.**

An ISO 9001:2015 registered company

770 Garrison Avenue

Bronx, NY 10474

[www.accucold.com](http://www.accucold.com)

# TABLE OF CONTENT

EQUIPMENT SAFETY	2
INSTALLATION INSTRUCTIONS	5
LOCATION OF PARTS	8
SPECIFICATION	9
OPERATION – QUICK SETUP GUIDE	10
DETAILED TEMPERATURE CONTROLLER GUIDE	13
CIRCUIT DIAGRAM	20
DEFROSTING	21
CLEANING AND MAINTENANCE	21
TROUBLESHOOTING	22
LIMITED WARRANTY	23

# EQUIPMENT SAFETY

Your safety and the safety of others are very important.

This manual and your appliance include important safety instructions. Always read and follow all safety warnings and instructions carefully.



This is the Safety Alert Symbol. The symbol alerts you to potential hazards that can injure you and others. All safety messages will follow Safety Alert Symbol and either the words "DANGER" or "WARNING".



**DANGER** means that failure to heed this safety statement may result in severe personal injury or death.



**WARNING** means that failure to heed this safety statement may result in extensive product damage, serious personal injury, or death.



**WARNING:** Low temperature/freezing conditions, frostbite hazard.



**WARNING:** Flammable Material

All safety messages are designed to alert you to potential hazards, explain how to reduce the risk of injury, and describe the possible consequences of not following the instructions.



Before the equipment is used, it must be properly positioned and installed as described in this manual, so read the manual carefully. To reduce the risk of fire, electrical shock or injury when using this equipment, follow basic precautions, including the following:



- Plug into a grounded 3-prong outlet, do not remove grounding prong, do not use an adapter, and do not use an extension cord.
- Replace all panels before operating.
- It is recommended that a separate circuit serving only your unit be provided. Use receptacles that cannot be turned off by a switch or pull chain.
- Never clean the equipment parts with flammable fluids. These fumes can create a fire hazard or

explosion. And do not store or use gasoline or other flammable vapors and liquids in the vicinity of this or any other pieces of equipment. The fumes can create a fire hazard or explosion.

- Before proceeding with cleaning and maintenance operations, make sure the power line of the unit is disconnected.
- Do not connect or disconnect the electric plug when your hands are wet.
- Unplug the unit or disconnect power before cleaning or servicing. Failure to do so can result in electrical shock or death.
- Do not attempt to repair or replace any part of the appliance unless specifically instructed to do so in this manual. All other services should be performed by a qualified technician.
- These units are CFC- and HFC-free and contain a small quantity of propane (R290) and isobutane (R600a). They are environmentally friendly, but flammable. They do not damage the ozone layer, nor do they increase the greenhouse effect. Care must be taken during transportation and setting up of a unit so that no parts of the cooling system are damaged. Leaking coolant can ignite and may damage the eyes.
- In the event of any damage:
  - Avoid open flames and anything that creates a spark
  - Disconnect from the electrical power line
  - Air the room in which the unit isolated for several minutes
  - Contact our Technical Service Department for assistance
- The more coolant there is in a unit, the larger the room it should be installed in. In the event of a leakage, if the unit is in a small room, there is the danger of combustible gases building up. For every ounce of coolant, at least 325 cubic feet of room space is required. The amount of coolant in the unit is stated on the data plate inside the unit. It is hazardous for anyone other than an Authorized Service Technician to carry out servicing or repairs to this piece of equipment.
- Take serious care when handling, moving, and using the unit to avoid either damaging the refrigerant tubing or increasing the risk of a leak.
- Replacing component parts and servicing must be done by factory authorized service technician to minimize the risk of possible ignition due to incorrect parts or improper service.



### **FOLLOW WARNING CALLOUTS BELOW ONLY WHEN APPLICABLE TO YOUR MODEL**

- Use two or more people to move and install unit. Failure to do so can result in back or other injury.
- To ensure proper ventilation for your unit, the front of the must be completely unobstructed. Choose a well-ventilated area with temperatures above 60°F (16°C) and below 90°F (32°C). [For optimal performance, install the unit where the ambient temperature is between 72° and 78°F (23°- 26°C).] This unit must be installed in an area protected from the elements, such as wind, rain, waterspray or drips.
- The unit should not be located next to ovens, grills or other sources of high heat.
- The unit must be installed with all electrical, water and drain connections in accordance with state and local codes. A standard electrical supply (110 V AC only, 60 Hz), properly grounded in accordance with the National Electrical Code and local codes and ordinances, is required.
- Do not kink or pinch the power supply cord of the unit.
- The size of the fuse (or circuit breaker) should be 15 amperes.
- It is important that the equipment be leveled to work properly. You may need to make several adjustments to level it.
- All installations must be in accordance with local plumbing code requirements.

- Make certain that the pipes are not pinched, kinked or damaged during installation.
- Check for leaks after connection.
- Never allow children to operate, play with, or crawl inside the unit. This is a medical device and should only be handled by trained professionals.
- Do not use solvent-based cleaning agents or abrasives on the interior. These cleaners may damage or discolor the interior.
- Use this equipment only for its intended purpose as described in this *Instruction Manual*.
- Keep fingers out of the “pinch point” areas. Clearances between the door and cabinet are necessarily small. Be careful closing the door when children are in the area.
- Ensure all ventilation openings are not obstructed.
- Do not use mechanical devices or other to accelerate the defrosting process, other than those recommended by the manufacturer.
- Do not damage the refrigerant circuit.

 **DANGER**  Risk of child entrapment!

- Child entrapment and suffocation are not problems of the past. Junked or abandoned appliances are still dangerous, even if they will “just sit in the garage a few days”.

Before discarding your old unit:

- Take off the doors
- Leave the shelves in place so that children may not easily climb inside.

## -SAVE THESE INSTRUCTIONS-

### **CALIFORNIA CARB/SNAP DISCLOSURE**

**This product uses eco-friendly hydrocarbon refrigerant and fully complies with California CARB regulations.**

However, we are required by California Law to provide the following disclosure statement in every product sold in California.

*"This equipment is prohibited from use in California with any refrigerants on the 'List of Prohibited Substances' for that specific end-use, in accordance with California Code of Regulations, title 17, section 95374. This disclosure statement has been reviewed and approved by Felix Storch, Inc. and Felix Storch, Inc. attests, under penalty of perjury, that these statements are true and accurate."*

This product does **not** use any refrigerants on the 'List of Prohibited Substances'"

# INSTALLATION INSTRUCTIONS

## Before Using your Equipment

- Remove the exterior and interior packing.

**CAUTION:** After unpacking you **MUST** allow this unit to stand upright for at least 2 hours to allow the lubricant and refrigerant to drain back into the compressor and stabilize. Failure to do so may adversely affect the performance and the lifetime of this unit.

- Clean the interior surface with lukewarm water using a soft cloth.

## Installation of your Equipment

**Note:** All models are designed for freestanding and indoor use only.

**CAUTION:** This equipment is designed for the storage of medicine or other medical products. Do not store beverages or perishable food in this unit.

- Place the unit on a floor that is strong enough to support it when it is fully loaded. To level the unit, adjust the front leveling legs.
- For free-standing installation, allow at least **5 inches** (127 mm) of clearance at the back, top, and sides to ensure proper air circulation for cooling the compressor and condenser, which helps save energy.

**NOTE:** It is recommended that you do not install the unit near an oven, radiator or other heating source. Direct sunlight may affect the acrylic coating and heat sources may increase electrical consumption. Don't install in a location where the temperature will fall below **60°F** (16°C). For best performance, do not install the unit behind a cabinet door or block the base grille.

- Avoid locating the unit in moist areas.
- Plug the unit into an exclusive, properly grounded wall outlet. Do not under any circumstances cut or remove the third (ground) prong from the power cord. Any questions concerning power and/or grounding should be directed toward a certified electrician or an authorized service center.

## Electrical Connection



Improper use of the grounded plug can result in the risk of electrical shock. If the power cord is damaged, have it replaced by a qualified electrician or an authorized service center.

This unit should be properly grounded for your safety. The power cord of this unit is equipped with a three-prong plug which matches the standard three-prong wall outlets to minimize the possibility of electrical shock.

Do not under any circumstances cut or remove the third (ground) prong from the power cord supplied. For personal safety, this equipment must be properly grounded.

This unit requires a standard **110 Volt AC ~ 60Hz** three-prong grounded electrical outlet. Have the wall outlet and circuit checked by a qualified electrician to make sure the outlet is properly grounded. When a standard 2-prong wall outlet is encountered, it is your responsibility and obligation to have it replaced with a properly grounded 3-prong wall outlet.

To prevent accidental injury, the cord should be secured behind the unit and not left exposed or dangling.

The unit should always be plugged into its own individual electrical outlet which has a voltage rating that matches the rating label on the unit. This provides the best performance and prevents overloading house wiring circuits that could cause a fire hazard from overheating. Never unplug the unit by pulling on the power cord. Always grip the plug firmly and pull straight out from the receptacle. Repair or replace immediately all power cords that have become frayed or otherwise damaged. Do not use a cord that shows cracks or abrasion damage along its length or at either end. When moving the equipment, be careful not to damage the power cord.

Because of potential safety hazards under certain conditions, it is strongly recommended that you do not use an extension cord with this equipment. However, if you must use an extension cord it is absolutely necessary that it be a UL/CUL-Listed, 3-wire grounding type equipment extension cord having a grounding type plug and outlet and that the electrical rating of the cord be 115 volts and at least 10 amperes.

## Reversing the Door

Unless the unit was ordered with the 'LHD' (left-hand door) option, it has been shipped with a right-hand, self-closing door swing. If you wish to reverse the door to open from the opposite direction, please follow the steps outlined below.

**Note:** The door reversal option is not available on all models.

**NOTE:** Doors on units with 'DL2B' data logger suffix are not reversible.

1. Carefully lay the unit on its back and remove the two front leveling legs
2. Remove the two hex head screws that connect the door hinges to the body on the bottom of the unit
3. Remove the two flathead screws that connect the hinge assembly to the bottom of the door
4. Remove the white hinge from the square rod
5. Unscrew the top hinge pin from the unit and reinstall on the left side
6. Flip the door so the handle is now on the right side
7. Push the door onto the top hinge piece.
8. Reinstall the hinge assembly on the left side bottom of the door using the flathead screws
9. Push the white hinge onto the square rod at a position of 9 o'clock
10. Turn the white hinge clockwise until the holes line up with screws located on the bottom of the unit
11. Replace the hex head screws and front leveling legs

**NOTE:** Once the door has been reversed, the Pharma-Vac sticker will be upside down.

You can remove and reapply to the preferred position. If you would like a replacement sticker, contact our parts department at [parts@summitappliance.com](mailto:parts@summitappliance.com).

**CAUTION:** After setting the unit upright you **MUST** allow this unit to stand upright for at least 2 hours to allow the lubricant and refrigerant to drain back into the compressor and stabilize.

Failure to do so may adversely affect the performance and the lifetime of this unit.

# LOCATION OF PARTS



- |                                 |   |
|---------------------------------|---|
| 1. Keyed Lock                   | 8. Temperature Sensor (in glycol bottle)  |
| 2. Microprocessor Control Panel | 9. Handle   |
| 3. Reset Switch                 | 10. Dry Contacts (located in rear)  |
| 4. Light Switch                 | 11 & 12. Access Port (for added monitoring devices of the useable area inside the unit) |
| 5. Internal Light               | 13. Refrigerator  |
| 6. Leveling Legs/Castors        | 14. Freezer   |
| 7. Kickplate                    |   |

## Common Places of Use:

Medical laboratories, pharmacies, pharmaceutical factories, and hospitals.

## Typical Applications:

Designed for use in medical institutions to store human test samples, vaccines, biological products, reagents, and medications.

# SPECIFICATION

Model	ARFG6PV	ARFS6PV	ARFG15PV	ARFS15PV	ARFG18PV	ARFS18PV
Operating Temperature	0°C-32°C/ 32°F-90°F / 0-85%RH					
Altitude	Up to 2000M					
Transport temperature	0°C to 50°C / 0-85%RH					
Storage Temperature	-25°C to -10°C/ -13°F to 14°F 2°C~8°C/35.6°F~ 46.4°F					
Capacity	70L/2.47ft <sup>3</sup>	70L/2.47ft <sup>3</sup>	304L/10.74ft <sup>3</sup>	304L/10.74ft <sup>3</sup>	440L/15.54ft <sup>3</sup>	440L/15.54ft <sup>3</sup>
Rated Voltage	110Vac/60Hz					
Mains fluctuations	±10%					
Frequency	60Hz					
Power	180W	180W	210W	210W	275W	275W
Shelf load	20kg each					
Pollution degree	2					
Refrigerant	R600a/0.92 oz R290/0.84oz	R600a/0.92 oz R290/0.84oz	R600a/1.30 oz R290/1.20 oz	R600a/1.30 oz R290/1.20 oz	R600a/1.44 oz R290/1.27oz	R600a/1.44 oz R290/1.27oz
Product dimensions mm (W*D*H)	595*649*910	595*649*910	595*649*1890	595*649*1890	700*654*2028	700*654*2028
Net Weight	110.2 LBS	110.2 LBS	221.12LBS	221.12LBS	264.5 LBS	264.5LBS
Foaming material	Cyclopentane					



# OPERATION – QUICK SETUP GUIDE

This section explains how to operate your unit. For more detailed instructions on changing the parameters of the control panel, see page 13.

Once plugged in, the display will show the product temperature inside the freezer and the compressor will start to run (an indicator light on the control panel will turn on at the same time).

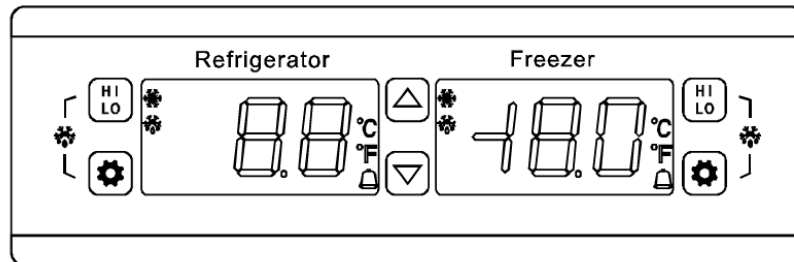
**NOTE:** This unit includes four sensors:

Compartment	Display Sensor	Control Sensor
Refrigerator	Product Sensor	Air Sensor
Freezer	Product Sensor	Air Sensor

For maximum performance, the refrigerator and freezer controls use a separate air sensor to control cooling. This sensor allows it to respond quickly to product loading and door opening. You may need to set the controller to a lower temperature, as the air temperature must be colder than the product to effectively bring it down.

The display shows the product temperature, recorded by a sensor in a glycol-filled vial inside the refrigerator and freezer compartments. As the refrigerator and freezer cool to their set point, the temperature on the display will decrease slowly, since the vial cools more slowly than the air.

**IMPORTANT:** If power is lost, wait for at least 5 minutes before plugging the unit back in to avoid damaging the compressor.



## Adjusting the Operating Temperature

To change the set point:

1. Press the **SET** button. The current set point temperature will appear on the display.
2. Within 10 seconds, press the **up or down arrows** until the desired temperature is shown.
3. Press the **SET** button again to confirm and save the new set point.

All models are preset to **4°C (39.2°F)** and **-25°C (-13°F)**. Adjust the temperature up or down to achieve your desired product temperature the displayed temperature.

## High/Low Temperature Alarm

Your refrigerator and freezer have built-in alarms for temperature issues:

- **LO:** If the temperature drops below the low alarm set point, an alarm will sound and the display will flash [**LO**] with the current temperature.
- **HI:** If the air temperature goes above the high alarm set point, an alarm will sound and the display will flash [**HI**].
- **H2:** If the product temperature goes above the high product alarm set point, an alarm will sound and the display will flash [**H2**].

There could be several reasons for these alarms, which should be investigated immediately. Continue monitoring the freezer to ensure it returns to the correct temperature. Alarm thresholds can be adjusted in the parameter setup menu to suit your specific requirements.

## Power Failure Alarm

After plugging in the unit, move the **Reset Switch** (located at the front) to the down position. If power is lost, a battery-powered alarm will sound and stop once power is restored.

**Note:** The alarm will only sound for a limited time, as it runs on battery power.

## Min/Max Temperature Recording

- Once connected to the power supply, your unit records the maximum high and minimum low temperatures reached inside the cabinet. The display will show the last **HI** and **LO** temperatures recorded until it is reset.
- To view the **HI** temperature, press and release the **HI/LO** button once.
- To view the **LO** temperature, press and release the **HI/LO** button again.

## Resetting the Min/Max Temperature Recording

- Press and hold the **HI/LO** button for 6 seconds.
- The display will blink, and the buzzer will sound to confirm the reset.
- After 5 seconds, the display will return to normal.

## Changing the Temperature Display

This unit displays temperature in Celsius by default. To switch to Fahrenheit:

1. Press and hold the **SET** button until [**PAS**] appears.
2. Use the **up/down** arrows to enter the password (default is 15).
3. Press **SET** repeatedly (about 25 times) until you see [**CF**] on the screen.
4. Press the **down** arrow to switch to **°F**.
5. Press **SET** once to confirm.
6. Wait 6 seconds, the setting will save automatically, and the unit will return to normal operation.

## Interior Light

Your unit includes an LED light that automatically turns on when the door is opened. To keep the light on even when the door is closed, move the switch to the “On” position.

## Door Alarm

If the refrigerator or freezer door remains open for more than 3 minutes, an audible alarm will sound. The alarm will stop automatically once the door is closed

## Remote Alarm

The electronic controller is equipped with dry contacts for alarm forwarding to an external remote alarm system (terminal block on the back of the unit).

**NOTE:** The remote contacts are normally “closed” and “open” upon alarm. To change the output to normally “open” and “closed” on alarm see item **C12** of the Table of Parameters and Factory Settings. Change the **C12** setting to **00** in lieu of **01**.

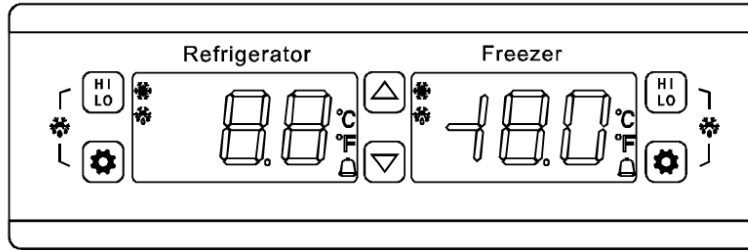
## Summary of Alarm Types

ALARM TYPE	DISPLAY FLASH
Air temperature high alarm	H1 delay alarm
Air temperature low alarm	LO delay alarm
Air temperature sensor short circuited	1H in time alarm
Air temperature sensor open circuited	1L in time alarm
Product temperature sensor short circuited	2H in time alarm
Air temperature sensor open circuited	2L in time alarm
Product temperature high temp alarm	H2 delay alarm
Product temperature low temp alarm	L2 delay alarm
Electric supply off alarm	No display – alarm in time
Door open delay alarm	Dr flash and delay alarm

## Storage of Articles

- At maximum loading level, the content should not touch the inner wall of unit.
- Leave space around the contents to prevent freezing, be sure the articles do not touch the back of the interior cabinet.
- Store articles away from the wall.
- Shelves can be adjusted to allow proper airflow around the products being stored.

# DETAILED TEMPERATURE CONTROLLER GUIDE



## Front Panel Operation

### Set Temperature Adjustment (compressor's top temperature):

1. Press the **SET** button, the set temperature is displayed
2. Press the **UP** or **DOWN** arrow to store and memorize.
3. Press the **SET** button to exit the adjustment status and display the product temperature.

If no more buttons are pressed within 6 seconds, the temperature of the products stored in the unit will display. (Set temperature adjustment range: Parameter **E1~E2**)

### Defrost Indicator LED:

During the active defrosting, the defrost LED will be on. The LED flashes after defrost during the delay period.

### Refrigeration LED:

During active cooling, the snowflake LED will be on.

When the set temperature is reached and cooling stops, the LED will turn off.

### Display the Sensor Temperature (C13):

Press the **DOWN** arrow, the product temperature (or cabinet temperature) will flash display for 6 seconds then return to the regular display.

### Parameter Set-Up and Settings (for all settings other than temperature setpoint):

1. Press and hold the **SET** button for 6 seconds to enter the parameter setting (flash and display **PAS**).
2. Enter the password (factory default is **15**)
3. Press **SET** and the display will show **E1, E2, ...~do3 PAS** in sequence.
4. Press the **UP** or **DOWN** arrow and the value of the parameter will be displayed and can be modified and stored.

If no buttons are pressed for 6 seconds, the system will automatically exit and save the new value.

**NOTE:** Only when in the inner parameter menu (display **PAS**) and the correct password is entered can the parameter value be adjusted. If the wrong password is entered, the parameter modification will be exited, although the set temperature adjustment is still active. If you forget the password, you will need to resume the factory default settings.

The following are examples of how to change common settings:

**A. Enter Password**

- Press and hold **SET** for 6 seconds until [**PAS**] appears.
- Use the **UP/DOWN** arrows to enter the password (default password **15**).
- Press **SET** to enter the parameter settings.

**B. Change °C to °F**

- Enter the password and press **SET** about 25 times until [**CF**] appears.
- Use the **UP/DOWN** arrows to select **°F**.
- Press **SET** and wait 6 seconds for the settings to apply.

**C. Set High Air Alarm**

- Enter the password and press **SET** until [**C1**] appears.
- Use the **UP/DOWN** arrows to choose your desired setting.
- Press **SET** and wait 6 seconds for the settings to apply.

**D. Set Low Air Alarm**

- Enter the password and press **SET** until [**C2**] appears.
- Use the **UP/DOWN** arrows to choose your desired setting.
- Press **SET** and wait 6 seconds for the settings to apply.

**E. Set High Product Alarm**

- Enter the password and press **SET** until [**C3H**] appears.
- Use the **UP/DOWN** arrows to choose your desired setting.
- Press **SET** and wait 6 seconds for the settings to apply.

**F. Set Low Product Alarm**

- Enter the password and press **SET** until [**C3L**] appears.
- Use the **UP/DOWN** arrows to choose your desired setting.
- Press **SET** and wait 6 seconds for the settings to apply.

**G. Adjust Other Parameters**

- Enter the password and press **SET** until the desired parameter code appears.
- Use the **UP/DOWN** arrow to adjust the settings.
- Press **SET** and wait 6 seconds for the settings to apply.

## Recording the Highest and Lowest Temperature

Once the unit is turned on and the **C5** delay ends, it will automatically begin recording the highest and lowest temperatures. These records are continuously updated and saved, even if the power is turned off.

- Press **HI/LO** once to see the **highest** recorded temperature.
- Press it again to see the **lowest** recorded temperature.
- To clear the temperature readings, press and hold **HI/LO** for 6 seconds. The display will flash and the unit will sound. A new record will start.

### Temperature Recording Conditions

- When **F4 = 0**, the temperatures are recorded at all times.
- When **F4 = 1, 2, or 3**, temperatures are not recorded during defrost and the 20-minute delay afterward.
- Temperatures are not recorded during an air sensor failure.
- When **C13 = 00**, the unit records the product temperature (from the liquid-filled bottle sensor).
- When **C13 = 01**, the air temperature of the cabinet is recorded.

### Factory Default Resumption

To reset all parameters to factory default settings:

1. Press and hold the **UP** and **DOWN** arrows simultaneously for 6 seconds.
2. The display will show **[888]**.
3. After 6 seconds, the unit will return to normal operation with default settings restored.

### Check or Change the Password

1. Press and hold **SET** for 6 seconds until **[PAS]** appears.
2. Enter the password then press **SET**
3. Use the **UP/DOWN** arrows to display and change the password
4. Press **HI/LO** to confirm and save the new password.

## Refrigerator Parameters and Factory Default Settings

Parameter	Function	Set Range	Default	Parameter	Function	Set Range	Default
Set	Setpoint		4°C	C3H	Product Temp. High Temp. Alarm	0~20.0°C / -32~68.0°F	8°C / 46.4°F
PAS	Password	00~99	15	C3L	Product Temp. Low Temp. Alarm	0~20.0°C / -32~68.0°F	2.0°C / 35.6°F
E1	Lowest set point limit	2.0°C / 35.6°F	2.0°C / 3.6°F	C4	Hysteresis Alarm	0.1~20.0°C / 0.2~36.0°F	0.1°C / 0.2°F
E2	Higher setpoint limit	10.0°C / 50.0°F	10°C / 50°F	C5	Start-up Temp. Alarm Delay	00~99 min	99 min
E3	Temp. Hysteresis	0.1~20.0°C / 0.2~36.0°F	2°C / 3.6°F	C6	Temp. Alarm Delay	00~99 min	0 min
E40	Turning on delay time	00 ~ 10 min.	2 min.	C7	Power Off Relay Alarm	00=do not alarm / 01= alarm	01
E41	Comp. start delay time	00 ~ 10 min.	2 min.	C8	Alarm Relay Close After, Muffle Alarm Relay Switch	00=open / 01=close	00
E5	Offset on Air Temperature	-10.0~10.0°C / -18.0~18.0°F	<b>ARFG15PV</b> 3.5°C / 6.3°F  <b>ARFG18PV</b> 2.5°C / 4.5°F	C9	Restart Time After Buzzer Mute	00=do not start / 01 ~30 min=restart time	10 min
E6	Offset on Product Temp.	-10.0~10.0°C / -18.0~18.0°F	0.0°C / 0.0°F	C10	Comp. Force Stop Time	01~99 min	99 min
F0	Defrost Type	00=defrost by turning off comp.	00	C11	Comp. Force Running Time	00=comp. Stop / 01-99min=starting time	0 min
F1	Max defrost duration	01~60 min.	20 min.	C12	Alarm Output Type	00=contact actuation when alarm / 01=contact disconnect when alarm	01
F2	Defrost Interval (XXhr/time)	00~24 hr.	00hr	C13	Normal State temp. display type	00=liquid bottle temp/ 01=cabinet air temp.	00
F4	Temp. displaying on screen when defrost	00= normal Temp 01=latest Temp 02=Fixed Temp 03=showing "dEF" on screen	00	CF	Temperature Unit	°C=Celsius / °F=Fahrenheit	°C
C1	High Temp Air Alarm	0~20.0°C / -32~68.0°F	9°C / 48.2°F	do1		00=do not alarm / 01=99 min=delayed alarm	02 min
C2	Low Temp Air Alarm	0~20.0°C / -32~68.0°F	1.0°C / 33.8°F	do2	Comp. status when door open	0=stop / 01=original status	01
				do3	Light status when door open	00=start / 01=original status	01



## Freezer Parameters and Factory Default Settings

Parameter	Function	Set Range	Default	Parameter	Function	Set Range	Default
Set	Setpoint		-25°C	C3H	Product Temp. High Temp. Alarm	-10~ -30°C / 14°F- -22°F	-15°C / 5°F
PAS	Password	00~99	15	C3L	Product Temp. Low Temp. Alarm	-10~ -30°C / 14°F- -22°F	-30°C / -22°F
E1	Lowest Set Point Limit	-30°C / -22°F ~ set temp.	-30°C / -22°F	C4	Hysteresis Alarm	0.1~20.0°C / 0.2~36.0°F	0.1°C / 0.2°F
E2	Higher Set Point Limit	Set temp.~ 10.0°C / 14°F	10.0°C / 50°F	C5	Start-Up Temp. Alarm Delay	00~99 min	99 min
E3	Temp. Hysteresis	0.1 ~20.0°C / 0.2 ~36.0°F	2.0°C / 3.6°F	C6	Temp. Alarm Delay	00~99 min	0 min
E40	Turning On Delay Time	00 ~10 min.	3 min.	C7	Power Off Relay Alarm	00=do not alarm / 01= alarm	01
E41	Comp. Start Delay Time	00 ~10 min.	3 min.	C8	Alarm Relay Close After, Muffle Alarm Relay Switch	00=open / 01=close	00
E5	Offset On Air Temperature	-10.0~10.0°C / -18.0~18.0°F	<b>ARFG15PV</b> 1.0°C / 1.8°F  <b>ARFG18PV</b> 2.5°C / 4.5 °F	C9	Restart Time After Buzzer Mute	00=do not start / 01 ~30 min=restart time	10 min
E6	Offset On Product Temp.	-10.0~10.0°C / -18.0~18.0°F	0.0°C / 0.0°F	C10	Comp. Force Stop Time	01~99 min	99 min
F0	Defrost Type	00=defrost by turning off comp.	00	C11	Comp. Force Running Time	00=comp. Stop / 01-99min=starting time	0 min
F1	Max Defrost Duration	01~60 min.	0 min.	C12	Alarm Output Type	00=contact actuation when alarm / 01=contact disconnect when alarm	01
F2	Defrost Interval (Xxhr/Time)	00~24 hr.	00	C13	Normal State Temp. Display Type	00=liquid bottle temp / 01=cabinet air temp.	00
F4	Temp. Displaying on Screen When Defrost	00= normal Temp 01=latest Temp. 02=Fixed Temp. 03=showing "dEF" on screen	00	CF	Temperature Unit	°C=Celsius °F=Fahrenheit	°C
C1	High Temp Air Alarm	-10°C ~ -30°C / 14°F ~ -22°F	-15°C / -5°F	do1		00=do not alarm / 01=99 min=delayed alarm	2 min
C2	Low Temp Air Alarm	-10°C ~ -30°C / 14°F ~ -22°F	-35°C / -31°F	do2	Comp. Status When Door Open	0=stop / 01=original status	01
				do3	Light Status When Door Open	00=start / 01=original status	01

## FUNCTION DETAILS

### Temperature Control:

After the unit is powered on and the delay time (parameter **E40**) has passed, the compressor will:

- **Turn ON** when the cabinet temperature is higher than **set temperature + hysteresis**.
- **Turn OFF** when the cabinet temperature is lower than the **set point temperature**.

To prevent damage, the compressor will not restart until the delay time (Parameter **E41**) has elapsed after shutting off.

### Defrost Control:

The unit automatically enters defrost mode after operating for a set interval (parameter **F2**), then the compressor will stop. Defrost continues for the duration set by (parameter **F1**). After a defrost period ends, there will be 2 minutes of dripping time before the unit resumes refrigeration.

- **F2 = 00**: The automatic defrost will be disabled and the compressor will not shut off or defrost.
- **F4 = 0**: The temperature will display during defrost.
- **F4 = 1**: The cabinet temperature is locked during defrost and the last value before defrosting will display. When defrost ends, the display returns to normal after 20 minutes (or when the cabinet temperature is lower than the set temperature). The defrost LED flashes during the delay.
- **F4 = 2**: The set temperature will be displayed during defrost. When the defrost ends, the display will return to normal after the 20 minutes delay (or cabinet temperature lower than the set temperature). The defrost LED flashes during delay.
- **F4 = 3**: The display shows [**dEF**] during defrost. When the defrost ends, the display will return to normal after the 20 minutes delay (or cabinet temperature lower than the set temperature). The defrost LED flashes during delay.

### Alarm Control:

After powering on the unit for the first time, it must pass the **C5** delay time before temperature alarms (C1, C2, C3) become active.

### Air Temperature Alarms:

If the cabinet temperature rises above the high alarm (**C1**) or falls below the low alarm (**C2**) for longer than the alarm delay (**C6**), an alarm will activate:

- **High Temperature Alarm** – Display alternates [**H1**] and the cabinet air temperature. The compressor turns on.

When cabinet temperature is lower than (high temperature alarm value **C1** – alarm hysteresis **C4**), the high temperature alarm ends.

- **Low Temperature Alarm** – Display alternates [**LO**] and the cabinet air temperature. The compressor turns off.

When cabinet temperature is higher than the (low temperature alarm value **C2** + alarm hysteresis **C4**), the low temperature alarm ends.

**Product Sensor High Temp Alarm:**

When the product sensor temperature is greater than or equal to the product temperature high temperature alarm value **C3** and duration more than alarm delay time **C6**, unit enters alarm status, and starts the alarm, alternate display [**H2**] and cabinet temperature. When the product sensor temperature is less than or equal to the (high temperature alarm value **C3** – alarm hysteresis **C4**), it will end the high temperature alarm.

**Power Failure Alarm:**

If power is lost, the display will flash [**EEL**] and an alarm will sound.

**Door Alarm (do1 setting):**

- **do1 = 00:** No alarm when door is open
- **do1 = 0:** After the set delay, the display shows [**dr alarm**]; press any button to cancel

**Alarm Relay and Buzzer Behavior:**

- **C7 = 0**, then the units relay does not alarm when power is off.
- **C8 = 0**, then after alarm is canceled, the alarm relay does not close.
- **C9 = 0**, then after the alarm cancel button is pushed, the buzzer does not restart.

If setting other numbers, then after reaching delay time, buzzer sounds one more time. (Under the condition of alarm not terminating)

**Abnormal Work Mode:****Air Sensor Faults**

- When the air sensor is short-circuited or high temperature over limit ( $>66^{\circ}\text{C}/151^{\circ}\text{F}$ ) the display will show [**1H**]
- When the air sensor is open-circuited or low temperature over limit ( $<-40^{\circ}\text{C}/^{\circ}\text{F}$ ) the display will show [**1L**]
- Compressor will enter the force running mode, according to **C10/C11** setparameters running in sequence.

**Product Sensor Faults**

- Short-circuit or temp  $>66^{\circ}\text{C}$  ( $151^{\circ}\text{F}$ ): Display alternates [**2H**] and air temperature
- Open-circuit or temp  $<-40^{\circ}\text{C}$  ( $-40^{\circ}\text{F}$ ): Display alternates [**2L**] and air temperature



# DEFROSTING

## Refrigerator Compartment – Cycle Defrost

The refrigerator compartment features an adjustable cycle defrost operation. The defrost cycle can be initiated automatically via the controller or manually by the user. By default, the compressor shuts off for a maximum of 20 minutes during the defrost mode. However, the default defrost interval is set to zero (0), so the defrost cycle does not run automatically under normal conditions unless it's manually activated.

## Manual Refrigerator Defrost

1. Press **HI/LO** button
2. Press and hold the **SET** button for 6 seconds to enter or exit defrost mode.

## Freezer Compartment – Manual Defrost

The freezer compartment requires manual defrosting. For optimal performance, defrost the freezer when approximately ¼ inch of ice has accumulated inside the cabinet. Before defrosting, remove all contents from the freezer and set the controller to the warmest temperature (10°C). Leave the door open until all ice and frost have fully melted.

To accelerate defrosting, you may place a container of warm water (approximately 125°F) inside the cabinet. Use clean towels or a sponge to soak up any water, and ensure the interior is completely dry before resetting the thermostat to its normal temperature.

**IMPORTANT:** It is not advisable to heat the interior of the freezer directly with hot water or a hair dryer while defrosting since this can deform the cabinet interior.

*NEVER USE A METAL OBJECT TO REMOVE ICE FROM THE REAR WALL. IF NEEDED, USE A PLASTIC ICE-SCRAPER.*

# CLEANING AND MAINTENANCE

Before cleaning, it is essential that you unplug the unit from the power line and transfer the contents where they can be stored and monitored at the correct temperatures.

- Use warm water and a neutral detergent to clean the interior compartment.
- Do not allow the control panel, power cord, or plug to get wet.
- Never use corrosive cleaners, wire brushes, abrasive pads, or sharp tools to clean the unit.
- Thoroughly dry all surfaces before restarting the unit.
- The condenser is located at the back of the cabinet. To ensure trouble-free operation, the condenser should be cleaned every three months where appropriate using a vacuum hose.
- In exceptionally dusty locations, the condenser should be cleaned more often.

When moving the unit, keep it upright. The angle between the unit and the horizontal surface should be at least 50°. Tilting below this angle may damage the compressor and affect normal operation.

# TROUBLESHOOTING

You can solve many common problems easily, saving you the cost of a possible service call. Try the suggestions below to see if you can solve the problem before calling the servicer.

<b>Problems</b>	<b>Possible causes</b>	<b>Remedy</b>
The unit does not operate	Bad connection of plug	Unplug the power cord and re-connect the plug to power supply .
Abnormal operation of the compressor or there is a buzzing sound	The power voltage is out of rated range	Disconnect the power supply immediately and reconnect with it after normal voltage. It is necessary to have a voltage stabilizer in case of poor power supply.
Compressor operates for a long time and no frost on the surface of the evaporator	Refrigeration system is at fault (leakage or blocked)	Call for service
There is frost or ice on the walls of the inner cabinet, and the internal temperature is too low, the compressor never stops running.	Thermostat does not work	Call for service
	The temperature setting of the thermostat is too low.	Adjust to a higher temperature
The internal temperature is too high, and the compressor never stops operating.	Bad heat dissipation and ventilation of condenser	Improve ventilation
	Too many warm items were put in at one time	Remove some goods so the air can circulate
	Door is being opened too frequently during initial cool down	Permit the unit to cool down adequately, prevent product access during this
Too noisy	The unit is not level	Adjust the adjustable legs
	The fastener of the unit is loose	Tighten the loose fastener
	Pipe near the compressor is touching	Carefully separate the touching pipes
The side of the unit is hot	The condenser in the side wall gives out heat as part of normal operation	Nothing to worry about.
Sometimes a light sound of water flowing will be heard	Refrigerant flowing inside the pipe.	Nothing to worry about.
There may be condensation on the Solid door	High ambient temperature or humid conditions	Dry with a cloth
The display shows “So” and compressor does not run	The temperature sensor is open circuit	Call for service
The display shows “SC” and compressor does not run	The temperature sensor is short circuited.	Call for service
The display shows “HH” and compressor does not run	The ambient temperature is above 40°C/104°F	Stop using immediately
The display shows “LL” and compressor does not run	The ambient temperature is below - 45°C/-49°F.	Stop using immediately

If you continue to experience issues, contact Accucold’s technical support department at **1-888-4- MEDLAB** or visit our website <https://www.accucold.com/support>.



# LIMITED WARRANTY

## TWO-YEAR LIMITED WARRANTY

Warranty coverage is available within the 48 contiguous United States, along with select areas of Alaska, Hawaii, and Canada. For locations not covered, consumers can either contact a local provider or coordinate with Felix Storch, Inc. to find nearby service options, which may qualify for partial reimbursement.

The warranty for this appliance is valid for two years from the date of purchase, provided the appliance is operated and maintained according to the instructions included with the product. The warrantor will cover the cost of factory-specified parts and repair labor needed to correct defects in materials or workmanship. Service must be performed by a designated service company.

All parts, except the compressor, are warranted for two years against manufacturing defects. Plastic parts, shelves, and cabinets are produced to commercially acceptable standards but are not covered for damages incurred during handling or for breakage.

## 5-YEAR COMPRESSOR WARRANTY

1. The compressor is covered for 5 years.
2. Replacement does not include labor.

## ITEMS WARRANTOR WILL NOT PAY FOR:

1. Service calls to correct the installation of your appliance, to instruct you how to use your appliance, to replace or repair fuses or to correct wiring or plumbing.
2. Service calls to repair or replace appliance light bulbs or broken shelves. Consumable parts (such as filters) are excluded from warranty coverage.
3. Damage resulting from accident, alteration, misuse, abuse, fire, flood, acts of God, improper installation, installation not in accordance with electrical or plumbing codes, or use of products not approved by warrantor.
4. Replacement parts or repair labor costs for units operated outside the 48 contiguous United States, along with select areas of Alaska, Hawaii, and Canada.
5. Repairs to parts or systems resulting from unauthorized modifications made to the appliance.
6. Expenses for travel and transportation for product service in remote locations.
7. The removal and reinstallation of your appliance if it is installed in an inaccessible location or is not installed in accordance with published installation instructions.

## DISCLAIMER OF IMPLIED WARRANTIES; LIMITATION OF REMEDIES

CUSTOMER'S SOLE AND EXCLUSIVE REMEDY UNDER THIS LIMITED WARRANTY SHALL BE PRODUCT REPAIR AS PROVIDED HEREIN. IMPLIED WARRANTIES, INCLUDING WARRANTIES OF MERCHANTABILITY OR FITNESS FOR A PARTICULAR PURPOSE, ARE LIMITED TO TWO YEARS. WARRANTOR SHALL NOT BE LIABLE FOR INCIDENTAL OR CONSEQUENTIAL DAMAGES. SOME STATES DO NOT ALLOW THE EXCLUSION OR LIMITATION OF INCIDENTAL OR CONSEQUENTIAL DAMAGES, OR LIMITATIONS ON THE DURATION OF IMPLIED WARRANTIES OF MERCHANTABILITY OR FITNESS, SO THESE EXCLUSIONS OR LIMITATIONS MAY NOT APPLY TO YOU. THIS WARRANTY GIVES YOU SPECIFIC LEGAL RIGHTS AND YOU MAY ALSO HAVE OTHER RIGHTS, WHICH VARY FROM STATE TO STATE.



**WARNING:** This product can expose you to chemicals including Nickel (Metallic) which is known to the State of California to cause cancer.

For more information go to [www.P65Warnings.ca.gov](http://www.P65Warnings.ca.gov)

Note: Nickel is a component in all stainless steel and some other metallic compositions.

**Accucold Division of Felix Storch, Inc.**  
**An ISO 9001:2015 registered company**  
**770 Garrison Avenue**  
**Bronx, NY 10474**

**accucold®**  
For parts and accessory ordering,  
troubleshooting and helpful hints, visit:  
**[www.accucold.com/support](http://www.accucold.com/support)**

Revised: 2025-08-26

# Réfrigérateur et congélateur combinés

## Manuel d'utilisation

### Modèles

<b>ARFS18PV</b>	<b>ARFS18PVMC</b>	<b>MLRFS18</b>	<b>HCRFS181</b>
<b>ARFG18PV</b>	<b>ARFG18PVMC</b>	<b>MLRFG18</b>	<b>HCRFG182</b>
<b>ARFS15PV</b>	<b>ARFS15PVMC</b>	<b>MLRFS15</b>	<b>HCRFS151</b>
<b>ARFG15PV</b>	<b>ARFG15PVMC</b>	<b>MLRFG15</b>	<b>HCRFG152</b>

**AVANT UTILISATION, VEUILLEZ LIRE ET SUIVRE TOUTES LES RÈGLES DE SÉCURITÉ ET LES INSTRUCTIONS D'UTILISATION**

Écrivez les numéros de modèle et de série ici :

Modèle: \_\_\_\_\_

Numéro de série : \_\_\_\_\_

**Division Accucold de Felix Storch, Inc.**

Une entreprise enregistrée ISO 9001:2015

770 Garrison Avenue

Bronx, NY 10474

[www.accucold.com](http://www.accucold.com)

# TABLE DES MATIÈRES

SÉCURITÉ DES ÉQUIPEMENTS	2
INSTRUCTIONS D'INSTALLATION	5
EMPLACEMENT DES PIÈCES	8
SPÉCIFICATION	9
FONCTIONNEMENT – GUIDE D'INSTALLATION RAPIDE	10
GUIDE DÉTAILLÉ DU RÉGULATEUR DE TEMPÉRATURE	13
SCHÉMA DE CIRCUIT	20
DÉGIVRAGE	21
NETTOYAGE ET ENTRETIEN	21
DÉPANNAGE	22
GARANTIE LIMITÉE	23

# SÉCURITÉ DES ÉQUIPEMENTS

Votre sécurité et celle des autres sont très importantes.

Ce manuel et votre appareil contiennent des consignes de sécurité importantes. Veuillez toujours lire et respecter attentivement tous les avertissements et consignes de sécurité.



Ceci est le symbole d'alerte de sécurité. Ce symbole vous avertit des dangers potentiels qui peuvent vous blesser, vous et autrui. Tous les messages de sécurité seront suivis du symbole d'alerte de sécurité et des mots "DANGER" ou "AVERTISSEMENT".



**DANGER** signifie que le non-respect de cette consigne de sécurité peut entraîner des blessures graves ou la mort.



**AVERTISSEMENT** signifie que le non-respect de cette déclaration de sécurité peut entraîner des dommages importants au produit, dommages, blessures graves ou décès.



**AVERTISSEMENT** : Basse température/conditions de gel, risque de gelures.



**AVERTISSEMENT** : Matériau inflammable

Tous les messages de sécurité sont conçus pour vous alerter des dangers potentiels, expliquer comment réduire le risque de blessure et décrire les conséquences possibles du non-respect des instructions.



Avant d'utiliser l'équipement, celui-ci doit être correctement positionné et installé conformément aux instructions de ce manuel. Veuillez donc le lire attentivement. Pour réduire les risques d'incendie, de choc électrique ou de blessure lors de l'utilisation de cet équipement, respectez les précautions de base suivantes :



- Branchez sur une prise à 3 broches reliée à la terre, ne retirez pas la broche de mise à la terre, n'utilisez pas d'adaptateur et n'utilisez pas une rallonge
- Remettez tous les panneaux en place avant de faire fonctionner l'appareil.
- Il est recommandé de prévoir un circuit électrique distinct pour votre appareil. Utilisez des prises qui ne peuvent pas être coupées par un interrupteur ou une chaînette.
- Ne jamais nettoyer les pièces de l'équipement avec des liquides inflammables. Ces vapeurs peuvent créer un risque d'incendie ou

Explosion. Ne stockez ni n'utilisez d'essence ni d'autres vapeurs et liquides inflammables à proximité de cet équipement ou de tout autre équipement. Les vapeurs peuvent créer un risque d'incendie ou d'explosion.

- Avant de procéder aux opérations de nettoyage et d'entretien, assurez-vous que la ligne électrique de l'appareil est déconnecté.
- Ne branchez ou ne débranchez pas la prise électrique lorsque vos mains sont mouillées.
- Débranchez l'appareil ou coupez l'alimentation avant de le nettoyer ou de l'entretenir. Le non-respect de cette consigne peut entraîner un choc électrique ou décès.
- N'essayez pas de réparer ou de remplacer une pièce de l'appareil, sauf indication contraire expresse ce manuel. Tous les autres services doivent être effectués par un technicien qualifié.
- Ces unités sont sans CFC et HFC et contiennent une petite quantité de propane (R290) et d'isobutane(R600a). Ils sont respectueux de l'environnement, mais inflammables. Ils ne dégradent pas la couche d'ozone et n'augmentent pas l'effet de serre. Des précautions doivent être prises lors du transport et de l'installation de l'appareil afin de n'endommager aucune pièce du système de refroidissement. Une fuite de liquide de refroidissement peut s'enflammer et endommager le système.
- yeux.
- En cas de dommage :
  - Évitez les flammes nues et tout ce qui peut produire des étincelles
  - Débranchez l'appareil du secteur
  - Aérez la pièce où se trouve l'appareil pendant plusieurs minutes
  - Contactez notre service technique pour obtenir de l'aide
- Plus il y a de liquide de refroidissement dans une unité, plus la pièce dans laquelle elle doit être installée doit être grande. En cas de fuite, si l'appareil est installé dans une petite pièce, il existe un risque d'accumulation de gaz combustibles. Pour chaque once de liquide de refroidissement, il faut au moins 325 pieds cubes d'espace ambiant. La quantité de liquide de refroidissement dans l'appareil est indiquée sur la plaque signalétique à l'intérieur de l'appareil. Toute intervention d'entretien ou de réparation sur cet appareil, autre qu'un technicien agréé, est dangereuse.
- Soyez très prudent lors de la manipulation, du déplacement et de l'utilisation de l'appareil pour éviter d'endommager le tube du réfrigérant ou augmenter le risque de fuite.
- Le remplacement des composants et l'entretien doivent être effectués par un technicien de service agréé par l'usine pour minimiser le risque d'inflammation possible due à des pièces incorrectes ou à un entretien inapproprié.



#### **SUIVEZ LES AVERTISSEMENTS CI-DESSOUS UNIQUEMENT LORSQU'ILS S'APPLIQUENT À VOTRE MODÈLE**

- Utilisez deux personnes ou plus pour déplacer et installer l'appareil. Le non-respect de cette consigne peut entraîner des blessures au dos ou autres.
- Pour assurer une ventilation adéquate de votre appareil, la façade doit être entièrement dégagée. Choisissez un endroit bien aéré, avec une température comprise entre 16 °C et 32 °C. [Pour des performances optimales, installez l'appareil à une température ambiante comprise entre 23 et 26 °C.] Cet appareil doit être installé dans une zone protégée des éléments, tels que le vent, la pluie, les embruns ou gouttes.
- L'appareil ne doit pas être placé à côté de fours, de grils ou d'autres sources de chaleur élevée.
- L'unité doit être installée avec tous les raccordements électriques, d'eau et d'évacuation conformément aux normes nationales et codes locaux. Une alimentation électrique standard (110 V CA uniquement, 60 Hz), correctement mise à la terre conformément au Code national de l'électricité et aux codes et ordonnances locaux, est requise.
- Ne pliez pas et ne pincez pas le cordon d'alimentation de l'appareil.
- La taille du fusible (ou du disjoncteur) doit être de 15 ampères.
- Il est important que l'équipement soit mis à niveau pour fonctionner correctement. Plusieurs ajustements peuvent être nécessaires pour le mettre à niveau.
- Toutes les installations doivent être conformes aux exigences du code de plomberie local.

- Assurez-vous que les tuyaux ne sont pas pincés, pliés ou endommagés pendant l'installation.
- Vérifier l'absence de fuites après le raccordement.
- Ne laissez jamais les enfants utiliser l'appareil, jouer avec ou ramper à l'intérieur. Il s'agit d'un dispositif médical et il ne doit pas être utilisé.  
Ne doit être manipulé que par des professionnels qualifiés.
- N'utilisez pas de produits de nettoyage à base de solvants ou d'abrasifs à l'intérieur. Ces nettoyeurs peuvent endommager ou décolorer l'intérieur.
- équipement uniquement pour l'usage auquel il est destiné, tel que décrit dans ce manuel d'instructions.
- Gardez les doigts hors des zones de "points de pincement". Les espaces entre la porte et l'armoire sont nécessairement faibles. Soyez prudent lorsque vous fermez la porte lorsque des enfants se trouvent à proximité.
- Assurez-vous que toutes les ouvertures de ventilation ne sont pas obstruées.
- N'utilisez pas de dispositifs mécaniques ou autres pour accélérer le processus de dégivrage, autres que ceux recommandés par le fabricant.
- Ne pas endommager le circuit frigorifique.



Risque de piégeage d'enfant !

- Le piégeage et la suffocation des enfants ne sont pas des problèmes du passé. Les appareils électroménagers mis au rebut ou abandonnés restent dangereux, même s'ils restent "au garage quelques jours".

Avant de jeter votre ancien appareil :

- Enlever les portes
- Laissez les étagères en place afin que les enfants ne puissent pas facilement grimper à l'intérieur.

## -CONSERVEZ CES INSTRUCTIONS-

### DIVULGATION CARB/SNAP DE CALIFORNIE

Ce produit utilise un réfrigérant hydrocarboné respectueux de l'environnement et est entièrement conforme à la réglementation CARB de Californie.

Cependant, la loi californienne nous oblige à fournir la déclaration suivante avec chaque produit vendu en Californie.

"Cet équipement est interdit d'utilisation en Californie avec tout réfrigérant figurant sur la "Liste des substances interdites" pour cette application spécifique, conformément au Code de réglementation de Californie, titre 17, section 95374. La présente déclaration a été examinée et approuvée par Felix Storch, Inc., et Felix Storch, Inc. certifiée, sous peine de parjure, que ces déclarations sont véridiques et exactes."

Ce produit n'utilise aucun réfrigérant figurant sur la "Liste des substances interdites".

# INSTRUCTIONS D'INSTALLATION

## Avant d'utiliser votre équipement

- Retirez l'emballage extérieur et intérieur.

**ATTENTION** : Après le déballage, laissez impérativement l'appareil en position verticale pendant au moins deux heures afin que le lubrifiant et le réfrigérant puissent s'écouler dans le compresseur et se stabiliser. Le non-respect de cette consigne pourrait nuire aux performances et à la durée de vie de l'appareil.

- Nettoyez la surface intérieure avec de l'eau tiède à l'aide d'un chiffon doux.

## Installation de votre équipement

**Remarque** : tous les modèles sont conçus pour une utilisation autonome et intérieure uniquement.

**ATTENTION** : Cet appareil est conçu pour le stockage de médicaments ou d'autres produits médicaux. N'y conservez pas de boissons ni de denrées périssables.

- Placez l'appareil sur un sol suffisamment solide pour le supporter lorsqu'il est entièrement chargé. Pour le mettre à niveau, ajustez les pieds de mise à niveau avant.
- Pour une installation autonome, prévoyez au moins 5 pouces (127 mm) d'espace libre à l'arrière, en haut et côtés pour assurer une bonne circulation de l'air pour refroidir le compresseur et le condenseur, ce qui permet d'économiser énergie.

**REMARQUE** : Il est recommandé de ne pas installer l'appareil à proximité d'un four, d'un radiateur ou de toute autre source de chaleur. La lumière directe du soleil peut endommager le revêtement acrylique et les sources de chaleur peuvent augmenter la consommation électrique. Ne l'installez pas dans un endroit où la température descendra en dessous de **16 °C**. Pour des performances optimales, n'installez pas l'appareil derrière une porte d'armoire et n'obstruez pas la grille de la base.

- Évitez de placer l'appareil dans des zones humides.
- Branchez l'appareil sur une prise murale exclusive et correctement mise à la terre. Ne coupez ni ne retirez en aucun cas la troisième broche (terre) du cordon d'alimentation. Pour toute question concernant l'alimentation et/ou la mise à la terre, veuillez vous adresser à un électricien certifié ou à un centre de service agréé.

## Connexion électrique



### AVERTISSEMENT

Une mauvaise utilisation de la fiche avec mise à la terre peut entraîner un risque de choc électrique. Si le cordon d'alimentation est endommagé, faites-le remplacer par un électricien qualifié ou par un centre de service agréé.

Cet appareil doit être correctement mis à la terre pour votre sécurité. Le cordon d'alimentation est équipé d'une fiche tripolaire compatible avec les prises murales tripolaire standard afin de minimiser les risques de blessures. choc électrique.

Ne coupez ou ne retirez en aucun cas la troisième broche (terre) du cordon d'alimentation fourni.

Pour des raisons de sécurité personnelle, cet équipement doit être correctement mis à la terre.

Cet appareil nécessite une prise électrique standard de **110 V CA ~ 60 Hz** à trois broches avec mise à la terre.

Faites vérifier la prise murale et le circuit par un électricien qualifié pour vous assurer que la prise est correctement mise à la terre.

Lorsqu'une prise murale standard à 2 broches est rencontrée, il est de votre responsabilité et de votre obligation de la remplacer par une prise murale à 3 broches correctement mise à la terre.

Pour éviter toute blessure accidentelle, le cordon doit être fixé derrière l'appareil et ne doit pas être laissé exposé ou suspendu.

L'appareil doit toujours être branché sur une prise électrique individuelle dont la tension nominale correspond à celle indiquée sur l'étiquette. Cela garantit des performances optimales et évite de surcharger les circuits électriques domestiques, ce qui

pourrait entraîner un risque d'incendie dû à une surchauffe. Ne débranchez jamais l'appareil en tirant sur le cordon d'alimentation. Saisissez toujours fermement la fiche et tirez-la directement hors de la prise.

Réparez ou remplacez immédiatement tout cordon d'alimentation effiloché ou endommagé. N'utilisez pas de cordon présentant des fissures ou des abrasions sur toute sa longueur ou à ses extrémités. Lors du déplacement de l'appareil, veillez à ne pas endommager le cordon d'alimentation.

En raison des risques potentiels pour la sécurité dans certaines conditions, il est fortement recommandé de ne pas utiliser de rallonge avec cet équipement. Cependant, si vous devez absolument utiliser une rallonge, il est impératif qu'elle soit homologuée UL/CUL, à 3 fils, avec mise à la terre, et dotée d'une fiche et d'une prise de courant avec mise à la terre, et que sa tension nominale soit de 115 volts et d'au moins 10 ampères.

## Inverser la porte

Sauf si l'unité a été commandée avec l'option "LHD" (porte à gauche), elle est livrée avec une porte à fermeture automatique à droite. Si vous souhaitez inverser le sens d'ouverture de la porte, veuillez suivre les étapes ci-dessous.

**Remarque :** l'option d'inversion de porte n'est pas disponible sur tous les modèles.

**REMARQUE :** les portes des unités avec le suffixe d'enregistreur de données "DL2B" ne sont pas réversibles.

1. Posez soigneusement l'appareil sur le dos et retirez les deux pieds de nivellement avant
2. Retirez les deux vis à tête hexagonale qui relient les charnières de la porte au corps au bas de l'unité.
3. Retirez les deux vis à tête plate qui relient l'ensemble charnière au bas de la porte.
4. Retirez la charnière blanche de la tige carrée .
5. Dévissez la goupille de charnière supérieure de l'appareil et réinstallez-la sur le côté gauche .
6. Retournez la porte de sorte que la poignée soit maintenant sur le côté droit .
7. Poussez la porte sur la pièce de charnière supérieure.
8. Réinstallez l'ensemble de charnière sur le côté gauche inférieur de la porte à l'aide des vis à tête plate
9. Poussez la charnière blanche sur la tige carrée à la position 9 heures
10. Tournez la charnière blanche dans le sens des aiguilles d'une montre jusqu'à ce que les trous s'alignent les vis situées au bas de l'unité.
11. Remettez en place les vis à tête hexagonale et les pieds de nivellement avant.

**REMARQUE :** Une fois la porte inversée, l' autocollant Pharma-Vac sera à l'envers.

Vous pouvez retirer l'autocollant et le réappliquer à l'emplacement souhaité. Pour un autocollant de remplacement, veuillez contacter notre service de pièces détachées à [parts@summitappliance.com](mailto:parts@summitappliance.com).

**ATTENTION :** Après avoir mis l'appareil en position verticale, vous DEVEZ le laisser debout pendant au moins 2 heures pour laissez le lubrifiant et le réfrigérant s'écouler dans le compresseur et se stabiliser.

Le non-respect de cette consigne peut nuire aux performances et à la durée de vie de cet appareil.

## EMPLACEMENT DES PIÈCES



1. Serrure à clé

2. Panneau de commande du microprocesseur

3. Interrupteur de réinitialisation

4. Interrupteur d'éclairage

5. Éclairage intérieur

6. Pieds de nivellement/roulettes

7. Plaque de protection

8. Capteur de température (dans la bouteille de glycol)

9. Poignée

10. Contacts secs (situés à l'arrière)

11 et 12. Port d'accès (pour dispositifs de surveillance supplémentaires de la zone utilisable à l'intérieur de l'appareil)

13. Réfrigérateur

14. Congélateur

### Lieux d'utilisation courants :

laboratoires médicaux, pharmacies, usines pharmaceutiques et hôpitaux.

### Applications typiques :

Conçu pour être utilisé dans les établissements médicaux pour stocker des échantillons de tests humains, des vaccins, des produits biologiques, des réactifs et des médicaments.

# SPÉCIFICATION

Modèle	ARFG6PV	ARFS6PV	ARFG15PV	ARFS15PV	ARFG18PV	ARFS18PV
Fonctionnement: Température	0 -32 / 32 °F-90 °F / 0-85 % HR					
Altitude	Jusqu'à 2000M					
Température de transport	0 à 50 / 0-85% HR					
Stockage Température	-25 à -10 / -13°F à 14°F 2 ~8 /35,6 ~ 46,4					
Capacité	70L/2,47 pi 3	70L/2,47 pi 3	304L/10,74 pi 3	304L/10,74 pi 3	440L/15,54 pi 3	440L/15,54 pi 3
Tension nominale	110 Vca/60 Hz					
Fluctuations du réseau	±10%					
Fréquence	60 Hz					
Pouvoir	180 W	180 W	210 W	210 W	275 W	275 W
Chargement des étagères	20 kg chacun					
Degré de pollution	2					
Réfrigérant	R600a/0,92 oz 290 R/0,84 oz	R600a/0,92 oz 290 R/0,84 oz	R600a/1,30 oz 290 R/1,20 oz	R600a/1,30 oz 290 R/1,20 oz	R600a/1,44 oz 290 R/1,27 oz	R600a/1,44 oz 290 R/1,27 oz
Dimensions du produit mm (L*P*H)	595*649*910	595*649*910	595*649*1890	595*649*1890	595*649*2028	595*649*2028
Poids net	110,2 LBS	110,2 LBS	221,12 LBS	221,12 LBS	264,5 LBS	264,5 LBS
Matériau moussant	Cyclopentane					

## FONCTIONNEMENT – GUIDE D'INSTALLATION RAPIDE

Cette section explique le fonctionnement de votre appareil. Pour des instructions plus détaillées sur la modification des paramètres du panneau de commande, voir page 13.

Une fois branché, l'écran affichera la température du produit à l'intérieur du congélateur et le compresseur commencera à fonctionner (un voyant lumineux sur le panneau de commande s'allumera en même temps).

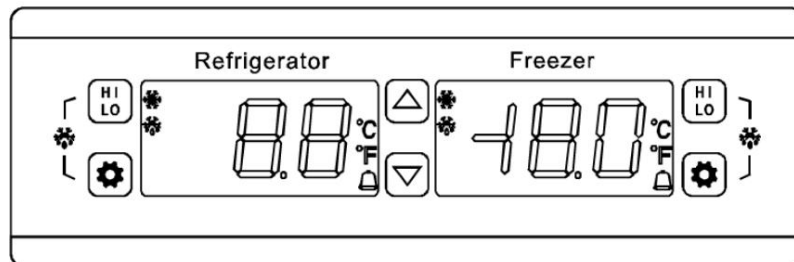
**REMARQUE :** Cette unité comprend quatre capteurs :

Compartment	Capteur d'affichage	Capteur de controle
Réfrigérateur	Capteur de produit	Capteur d'air
Congélateur	Capteur de produit	Capteur d'air

Pour des performances optimales, les commandes du réfrigérateur et du congélateur utilisent un capteur d'air séparé pour contrôler le refroidissement. Ce capteur permet une réaction rapide au chargement des produits et à l'ouverture des portes. Il peut être nécessaire de régler le contrôleur sur une température plus basse, car la température de l'air doit être inférieure à celle des produits pour la réduire efficacement.

L'écran affiche la température du produit, enregistrée par un capteur placé dans un flacon rempli de glycol, à l'intérieur des compartiments réfrigérateur et congélateur. À mesure que le réfrigérateur et le congélateur refroidissent jusqu'à leur température de consigne, la température affichée diminue progressivement, le flacon refroidissant plus lentement que l'air.

**IMPORTANT :** En cas de coupure de courant, attendez au moins 5 minutes avant de rebrancher l'appareil pour éviter d'endommager l'appareil. compresseur.



### Réglage de la température de fonctionnement

Pour modifier le point de consigne :

1. Appuyez sur le bouton **SET** . La température de consigne actuelle s'affiche à l'écran.
2. Dans les 10 secondes, appuyez sur **les flèches haut ou bas** jusqu'à ce que la température souhaitée s'affiche.
3. Appuyez à nouveau sur le bouton **SET** pour confirmer et enregistrer le nouveau point de consigne.

Tous les modèles sont pré-réglés à **4 °C (39,2 °F)** et **- 25 °C (-13 °F)**. Réglez la température à la hausse ou à la baisse selon vos besoins. température souhaitée du produit la température affichée.

## Alarme de température haute/basse

Votre réfrigérateur et votre congélateur sont équipés d'alarmes intégrées pour les problèmes de température :

- **LO** : Si la température descend en dessous du point de consigne d'alarme basse, une alarme retentit et l'écran affiche clignote **[LO]** avec la température actuelle.
- **HI** : Si la température de l'air dépasse le point de consigne d'alarme haute, une alarme retentit et l'écran affiche flash **[HI]**.
- **H2** : Si la température du produit dépasse le point de consigne d'alarme de produit élevé, une alarme retentit et l'écran clignotera **[H2]**.

Ces alarmes peuvent avoir plusieurs raisons, qui doivent être examinées immédiatement. Continuez à surveiller le congélateur pour vous assurer qu'il revient à la bonne température. Les seuils d'alarme peuvent être ajustés dans le menu de configuration des paramètres pour répondre à vos besoins spécifiques.

## Alarme de panne de courant

Après avoir branché l'appareil, placez le **bouton de réinitialisation** (situé à l'avant) en position basse. En cas de coupure de courant, une alarme alimentée par batterie retentira et s'arrêtera une fois le courant rétabli.

**Remarque** : l'alarme ne retentit que pendant une durée limitée, car elle fonctionne sur batterie.

## Enregistrement de la température min/max

- Une fois branché au secteur, votre appareil enregistre les températures maximales et minimales atteintes à l'intérieur de l'armoire. L'écran affiche les dernières températures maximales et minimales enregistrées jusqu'à sa réinitialisation.
- Pour afficher la température **HI**, appuyez et relâchez une fois le bouton **HI/LO**.
- Pour afficher la température **LO**, appuyez et relâchez à nouveau le bouton **HI/LO**.

## Réinitialisation de l'enregistrement de la température min/max

- Appuyez sur le bouton **HI/LO** et maintenez-le enfoncé pendant 6 secondes.
- L'écran clignote et le buzzer retentit pour confirmer la réinitialisation.
- Après 5 secondes, l'écran revient à la normale.

## Modification de l'affichage de la température

Cet appareil affiche la température en degrés Celsius par défaut. Pour passer en degrés Fahrenheit :

1. Appuyez sur le bouton **SET** et maintenez-le enfoncé jusqu'à ce que **[PAS]** apparaisse.
2. Utilisez les flèches **haut/bas** pour saisir le mot de passe (la valeur par défaut est 15).
3. Appuyez plusieurs fois sur **SET** (environ 25 fois) jusqu'à ce que **[CF]** s'affiche à l'écran.
4. Appuyez sur la flèche vers **le bas** pour passer à **°F**.
5. Appuyez une fois sur **SET** pour confirmer.
6. Attendez 6 secondes, le réglage sera enregistré automatiquement et l'appareil reviendra à son fonctionnement normal.

## Éclairage intérieur

Votre unité comprend une lumière LED qui s'allume automatiquement lorsque la porte est ouverte. Pour garder la lumière allumée même lorsque la porte est fermée, déplacez l'interrupteur sur la position "On".

## Alarme de porte

Si la porte du réfrigérateur ou du congélateur reste ouverte plus de 3 minutes, une alarme sonore retentit. L'alarme s'arrête automatiquement une fois la porte refermée.

## Alarme à distance

Le contrôleur électronique est équipé de contacts secs pour la transmission d'alarme vers un système d'alarme à distance externe (bornier à l'arrière de l'appareil).

**REMARQUE :** Les contacts à distance sont normalement "fermés" et "ouverts" en cas d'alarme. Pour modifier la sortie sur normalement "ouvert" et "fermé" en cas d'alarme voir point **C12** du Tableau des Paramètres et Réglages d'Usine.

Modifiez le paramètre **C12** sur **00** au lieu de **01**.

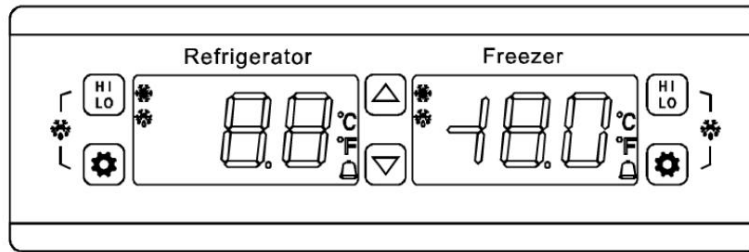
## Résumé des types d'alarmes

TYPE D'ALARME	ÉCRAN FLASH
Alarme de température élevée de l'air	Alarme de retard H1
Alarme de température basse de l'air	Alarme de retard LO
Capteur de température d'air en court-circuit	Alarme 1H dans le temps
Capteur de température d'air en circuit ouvert	1L dans l'alarme temporelle
Capteur de température du produit court-circuité	Alarme à 2 heures du temps
Capteur de température d'air en circuit ouvert	Alarme 2L dans le temps
Alarme de température élevée du produit	Alarme de retard H2
Alarme de basse température du produit	Alarme de retard L2
Alarme de coupure d'alimentation électrique	Pas d'affichage – alarme à temps
Alarme de retard d'ouverture de porte	Dr flash et alarme de retard

## Stockage des articles

- Au niveau de chargement maximal, le contenu ne doit pas toucher la paroi intérieure de l'unité.
- Laissez de l'espace autour du contenu pour éviter le gel, assurez-vous que les articles ne touchent pas l'arrière de l'armoire intérieure.
- Rangez les articles loin du mur.
- Les étagères peuvent être ajustées pour permettre une bonne circulation de l'air autour des produits stockés.

# GUIDE DÉTAILLÉ DU RÉGULATEUR DE TEMPÉRATURE



## Fonctionnement du panneau avant

Réglage de la température de consigne (température supérieure du compresseur) :

1. Appuyez sur le bouton **SET** , la température réglée s'affiche
2. Appuyez sur la flèche **HAUT** ou **BAS** pour stocker et mémoriser.
3. Appuyez sur le bouton **SET** pour quitter l'état de réglage et afficher la température du produit.

Si vous n'appuyez sur aucun bouton dans les 6 secondes, la température des aliments stockés s'affiche. (Plage de réglage de la température : paramètres **E1** à **E2**)

## Voyant LED de dégivrage :

Pendant le dégivrage actif, le voyant de dégivrage est allumé. Il clignote après le dégivrage pendant la temporisation.

## LED de réfrigération :

Pendant le refroidissement actif, la LED flocon de neige sera allumée.

Lorsque la température réglée est atteinte et que le refroidissement s'arrête, la LED s'éteint.

## Afficher la température du capteur (C13) :

Appuyez sur la flèche **BAS** , la température du produit (ou la température de l'armoire) clignotera pendant 6 secondes puis reviendra à l'affichage normal.

## Configuration et réglages des paramètres (pour tous les réglages autres que le point de consigne de température) :

1. Appuyez sur le bouton **SET** et maintenez-le enfoncé pendant 6 secondes pour accéder au réglage des paramètres (clignote et affiche **PAS**).
2. Entrez le mot de passe (la valeur par défaut est **15**)
3. Appuyez sur **SET** et l'écran affichera **E1, E2, ...~do3 PAS** dans l'ordre.
4. Appuyez sur la flèche **HAUT** ou **BAS** et la valeur du paramètre s'affichera et pourra être modifiée et stocké.

Si aucun bouton n'est appuyé pendant 6 secondes, le système quittera automatiquement et enregistrera la nouvelle valeur.

**REMARQUE** : La valeur du paramètre ne peut être modifiée qu'à partir du menu des paramètres internes (affichage **PAS**) et avec le mot de passe correct. Si le mot de passe est incorrect, la modification du paramètre sera interrompue, mais le réglage de la température de consigne restera actif. En cas d'oubli du mot de passe, vous devrez reprendre la modification. les paramètres d'usine par défaut.

## Voici quelques exemples de la manière de modifier les paramètres courants :

### A. Saisir le mot de passe

- Maintenez la touche **SET** enfoncée pendant 6 secondes jusqu'à ce que **[PAS]** apparaisse.
- Utilisez les flèches **HAUT/BAS** pour saisir le mot de passe (mot de passe par défaut : **15**).
- Appuyez sur **SET** pour accéder aux paramètres.

### B. Changer les °C en °F

- Saisissez le mot de passe et appuyez sur **SET** environ 25 fois jusqu'à ce que **[CF]** apparaisse.
- Utilisez les flèches **HAUT/BAS** pour sélectionner °F.
- Appuyez sur **SET** et attendez 6 secondes que les paramètres soient appliqués.

### C. Réglage de l'alarme de niveau d'air élevé

- Saisissez le mot de passe et appuyez sur **SET** jusqu'à ce que **[C1]** apparaisse.
- Utilisez les flèches **HAUT/BAS** pour sélectionner le réglage souhaité.
- Appuyez sur **SET** et attendez 6 secondes que les réglages soient appliqués.

### D. Réglage de l'alarme de niveau d'air bas

- Saisissez le mot de passe et appuyez sur **SET** jusqu'à ce que **[C2]** apparaisse.
- Utilisez les flèches **HAUT/BAS** pour sélectionner le réglage souhaité.
- Appuyez sur **SET** et attendez 6 secondes que les réglages soient appliqués.

### E. Réglage de l'alarme de niveau de produit élevé

- Saisissez le mot de passe et appuyez sur **SET** jusqu'à ce que **[C3H]** apparaisse.
- Utilisez les flèches **HAUT/BAS** pour sélectionner le réglage souhaité.
- Appuyez sur **SET** et attendez 6 secondes que les réglages soient appliqués.

### F. Réglage de l'alarme de niveau de produit bas

- Saisissez le mot de passe et appuyez sur **SET** jusqu'à ce que **[C3L]** apparaisse.
- Utilisez les flèches **HAUT/BAS** pour sélectionner le réglage souhaité.
- Appuyez sur **SET** et attendez 6 secondes que les réglages soient appliqués.

### G. Ajuster les autres paramètres

- Saisissez le mot de passe et appuyez sur **SET** jusqu'à ce que le code de paramètre souhaité apparaisse.
- Utilisez les flèches **HAUT/BAS** pour ajuster les paramètres.
- Appuyez sur **SET** et attendez 6 secondes que les paramètres soient appliqués.

## Enregistrement de la température la plus élevée et la plus basse

Une fois l'appareil allumé et le délai **C5** écoulé, il enregistre automatiquement les températures maximales et minimales. Ces enregistrements sont mis à jour et sauvegardés en continu, même en cas de coupure de courant.

- Appuyez une fois sur **HI/LO** pour voir la température la **plus élevée** enregistrée.
- Appuyez à nouveau pour voir la température la **plus basse** enregistrée.
- Pour effacer les relevés de température, maintenez enfoncé le bouton **HI/LO** pendant 6 secondes. L'affichage clignote et l'unité sonnera. Un nouvel enregistrement commencera.

### Conditions d'enregistrement de la température

- Lorsque **F4 = 0**, les températures sont enregistrées à tout moment.
- Lorsque **F4 = 1, 2 ou 3**, les températures ne sont pas enregistrées pendant le dégivrage et le délai de 20 minutes qui suit.
- Les températures ne sont pas enregistrées en cas de panne du capteur d'air.
- Lorsque **C13 = 00**, l'unité enregistre la température du produit (à partir du capteur de la bouteille remplie de liquide).
- Lorsque **C13 = 01**, la température de l'air de l'armoire est enregistrée.

### Reprise des paramètres d'usine par défaut

Pour réinitialiser tous les paramètres aux valeurs par défaut d'usine :

1. Appuyez simultanément sur les flèches **HAUT** et **BAS** et maintenez-les enfoncées pendant 6 secondes.
2. L'écran affichera **[888]**.
3. Après 6 secondes, l'appareil reviendra à son fonctionnement normal avec les paramètres par défaut restaurés.

### Vérifiez ou modifiez le mot de passe

1. Appuyez sur **SET** et maintenez-le enfoncé pendant 6 secondes jusqu'à ce que **[PAS]** apparaisse.
2. Entrez le mot de passe puis appuyez sur **SET**
3. Utilisez les flèches **HAUT/BAS** pour afficher et modifier le mot de passe
4. Appuyez sur **HI/LO** pour confirmer et enregistrer le nouveau mot de passe.

## Paramètres du Réfrigérateur et Réglages par Défaut Usine

Paramètre	Fonction	Plage réglable	Par défaut	Paramètre	Fonction	Plage réglable	Par défaut
Set	Consigne		4°C	C3H	Alarme T° prod. haute	0~20.0°C / -32~68.0°F	8°C / 46.4°F
PAS	Mot de passe	00~99	15	C3L	Alarme T° prod. basse	0~20.0°C / -32~68.0°F	2.0°C / 35.6°F
E1	Limite consigne min.	2.0°C / 35.6°F	2.0°C / 3.6°F	C4	Alarme hystérésis	0.1~20.0°C / 0.2~36.0°F	0.1°C / 0.2°F
E2	Limite consigne max.	10.0°C / 50.0°F	10°C / 50°F	C5	Délai alarme T° démarrage	00~99 min	99 min
E3	Hystérésis T°	0.1~20.0°C / 0.2~36.0°F	2°C / 3.6°F	C6	Délai alarme T°	00~99 min	0 min
E40	Délai mise en marche	00 ~10 min.	2 min.	C7	Alarme relais coupure	00=Pas d'alarme / 01= Alarme	01
E41	Délai démarrage comp.	00 ~10 min.	2 min.	C8	Relais alarme muet	00=Ouvert / 01=Fermé	00
E5	Décalage T° air	-10.0~10.0°C / -18.0~18.0°F	<b>ARFG15PV</b> 3.5°C / 6.3°F  <b>ARFG18PV</b> 2.5°C / 4.5°F	C9	Redémarrage après buzzer	00=Ne pas démarrer / 01 ~30 min= Temps redémarrage	10 min
E6	Décalage T° prod.	-10.0~10.0°C / -18.0~18.0°F	0.0°C / 0.0°F	C10	Arrêt forcé compresseur	01~99 min	99 min
F0	Type dégivrage	00= Arrêt compresseur	00	C11	Marche forcée compresseur	00=Comp. arrêt / 01-99min=Temps démarrage	0 min
F1	Durée max. dégivr.	01~60 min.	20 min.	C12	Type sortie alarme	00=Action contact alarme / 01=Contact coupé alarme	01
F2	Intervalle de dégivrage (XX h/fois)	00~24 hr.	00hr	C13	Affichage T° normal	00=Temp. bouteille liquide / 01=Temp. air armoire	00
F4	Affich. T° pendant dégivr.	00 = Temp. normale 01 = Dernière temp. 02 = Temp. fixe 03 = Affichage "dEF" à l'écran	00	CF	Unité T°	°C=Celsius / °F=Fahrenheit	°C
C1	Alarme T° air haute	0~20.0°C / -32~68.0°F	9°C / 48.2°F	do1		00=Pas d'alarme / 01=99 min=Alarme retardée	02 min
C2	Alarme T° air basse	0~20.0°C / -32~68.0°F	1.0°C / 33.8°F	do2	État compresseur porte	0=Arrêt / 01=État initial	01
				do3	État éclairage porte	00=Démarrage / 01=État initial	01

## Paramètres du Congélateur et Réglages par Défaut Usine

Paramètre	Fonction	Plage réglable	Par défaut	Paramètre	Fonction	Plage réglable	Par défaut
Set	Consigne		-25°C	C3H	Alarme T° prod. haute	-10~ -30°C / 14°F- -22°F	-15°C / 5°F
PAS	Mot de passe	00~99	15	C3L	Alarme T° prod. basse	-10~ -30°C / 14°F- -22°F	-30°C / -22°F
E1	Limite consigne min.	-30°C / -22°F ~ Temp. réglée	-30°C / -22°F	C4	Alarme hystérésis	0.1~20.0°C / 0.2~36.0°F	0.1°C / 0.2°F
E2	Limite consigne max.	Temp. réglée ~ 10,0°C / 14°F	10.0°C / 50°F	C5	Délai alarme T° démarrage	00~99 min	99 min
E3	Hystérésis T°	0.1 ~20.0°C / 0.2 ~36.0°F	2.0°C / 3.6°F	C6	Délai alarme T°	00~99 min	0 min
E40	Délai mise en marche	00 ~10 min.	3 min.	C7	Alarme relais coupure	00=Pas d'alarme/ 01= Alarme	01
E41	Délai démarrage comp.	00 ~10 min.	3 min.	C8	Relais alarme muet	00 = Ouvert 01 = Fermé	00
E5	Décalage T° air	-10.0~10.0°C / -18.0~18.0°F	<b>ARFG15PV</b> 1.0°C / 1.8°F  <b>ARFG18PV</b> 2.5°C / 4.5 °F	C9	Redémarrage après buzzer	00 = Ne pas démarrer  01 ~30 min = Temps redémarrage	10 min
E6	Décalage T° prod.	-10.0~10.0°C / -18.0~18.0°F	0.0°C / 0.0°F	C10	Arrêt forcé compresseur	01~99 min	99 min
F0	Type dégivrage	00=Dégivrage arrêt comp.	00	C11	Marche forcée compresseur	00 = Comp. arrêt 01-99 min = Temps démarrage	0 min
F1	Durée max. dégivr.	01~60 min.	0 min.	C12	Type sortie alarme	00 = Action contact alarme/ 01 = Contact coupé alarme	01
F2	Intervalle de dégivrage (XX h/fois)	00~24 hr.	00	C13	Affichage T° normal	00 = Temp. bouteille liquid/ 01 = Temp. air armoire	00
F4	Affich. T° pendant dégivr.	00= Temp. normale 01=Dernière temp. 02=Temp. fixe 03=Affichage "dEF"	00	CF	Unité T°	°C=Celsius °F=Fahrenheit	°C
C1	Alarme T° air haute	-10°C ~ -30°C / 14°F ~ -22°F	-15°C / -5°F	do1		00 = Pas d'alarme 01-99 min = Alarme retardée	2 min
C2	Alarme T° air basse	-10°C ~ -30°C / 14°F ~ -22°F	-35°C / -31°F	do2	État compresseur porte	0 = Arrêt 01 = État initial	01
				do3	État éclairage porte	00=Démarrage/ 01=État initial	01

## DÉTAILS DE LA FONCTION

### Contrôle de la température :

Une fois l'unité sous tension et le temps de retard (paramètre **E40**) écoulé, le compresseur :

- **S'allume** lorsque la température de l'armoire est supérieure à la **température définie + hystérésis**.
  - **S'éteint** lorsque la température de l'armoire est inférieure à la **température de consigne**.
- Pour éviter tout dommage, le compresseur ne redémarrera pas tant que le délai de temporisation (paramètre **E41**) ne sera pas écoulé après l'arrêt.

### Contrôle du dégivrage :

L'appareil passe automatiquement en mode dégivrage après une durée de fonctionnement définie (paramètre **F2**), puis le compresseur s'arrête. Le dégivrage se poursuit pendant la durée définie (paramètre **F1**). Après la fin du dégivrage, l'appareil laisse s'écouler 2 minutes avant de reprendre la réfrigération.

- **F2 = 00** : Le dégivrage automatique sera désactivé et le compresseur ne s'arrêtera pas ou ne dégivrera pas.
- **F4 = 0** : La température s'affichera pendant le dégivrage.
- **F4 = 1** : La température de l'armoire est verrouillée pendant le dégivrage et la dernière valeur avant le dégivrage sera Affichage. Une fois le dégivrage terminé, l'affichage revient à la normale après 20 minutes (ou lorsque la température de l'armoire est inférieure à la température réglée). La LED de dégivrage clignote pendant le délai.
- **F4 = 2** : La température réglée s'affiche pendant le dégivrage. Une fois le dégivrage terminé, l'affichage revient à la normale après un délai de 20 minutes (ou si la température de l'armoire est inférieure à la température réglée). La LED de dégivrage clignote pendant le délai.
- **F4 = 3** : L'écran affiche [dEF] pendant le dégivrage. Une fois le dégivrage terminé, l'écran revient à la normale après un délai de 20 minutes (ou lorsque la température de l'armoire est inférieure à la température réglée). Le voyant de dégivrage clignote pendant le délai.

### Contrôle d'alarme :

Après la première mise sous tension de l'appareil, celui-ci doit dépasser le délai **C5** avant que les alarmes de température (C1, C2, C3) ne deviennent actives.

#### Alarmes de température de l'air :

Si la température de l'armoire dépasse l'alarme haute (**C1**) ou descend en dessous de l'alarme basse (**C2**) pendant une durée supérieure au délai d'alarme (**C6**), une alarme s'activera :

- **Alarme de température élevée** – L'affichage alterne entre [**H1**] et la température de l'air de l'armoire. Le compresseur s'allume.

Lorsque la température de l'armoire est inférieure à (valeur d'alarme de température élevée **C1** - hystérésis d'alarme **C4**), l'alarme de température se termine.

- **Alarme de basse température** – L'affichage alterne entre [**LO**] et la température de l'air de l'armoire. Le compresseur s'éteint.

Lorsque la température de l'armoire est supérieure à la (valeur d'alarme de basse température **C2** + hystérésis d'alarme **C4**), l'alarme de basse température se termine.

### Alarme de température élevée du capteur de produit :

Lorsque la température du capteur de produit est supérieure ou égale à la température élevée du produit. Si la valeur d'alarme de température **C3** et sa durée dépassent le délai d'alarme **C6**, l'appareil passe en mode alarme et déclenche l'alarme, alternant entre l'affichage **[H2]** et la température de l'armoire. Lorsque la température du capteur de produit est inférieure ou égale à (valeur d'alarme de température élevée **C3** – hystérésis d'alarme **C4**), l'alarme s'arrête.

### Alarme de panne de courant :

En cas de coupure de courant, l'écran affiche **[EEL]** et une alarme retentit.

Alarme de porte (réglage do1) :

- **do1 = 00** : Aucune alarme lorsque la porte est ouverte
- **do1 = 0** : Après le délai défini, l'écran affiche **[dr alarm]** ; appuyez sur n'importe quel bouton pour annuler

### Comportement du relais d'alarme et du buzzer :

- **C7 = 0**, alors le relais des unités ne déclenche pas d'alarme lorsque l'alimentation est coupée.
- **C8 = 0**, alors après l'annulation de l'alarme, le relais d'alarme ne se ferme pas.
- **C9 = 0**, puis après avoir appuyé sur le bouton d'annulation de l'alarme, le buzzer ne redémarre pas.

Si vous définissez d'autres numéros, après avoir atteint le temps de retard, le buzzer retentit une fois de plus. (Sous la condition d'alarme non terminée)

### Mode de travail anormal :

#### Défauts du capteur d'air

- Lorsque le capteur d'air est court-circuité ou que la température dépasse la limite ( $> 66^{\circ}\text{C}/151^{\circ}\text{F}$ ), l'écran affiche **[1H]**
- Lorsque le capteur d'air est en circuit ouvert ou que la température est supérieure à la limite ( $- 40^{\circ}\text{C}/^{\circ}\text{F}$ ), l'écran affiche **[1L]**
- Le compresseur entrera en mode de fonctionnement forcé, conformément aux paramètres de fonctionnement définis **C10/C11** séquence.

#### Product Sensor Faults

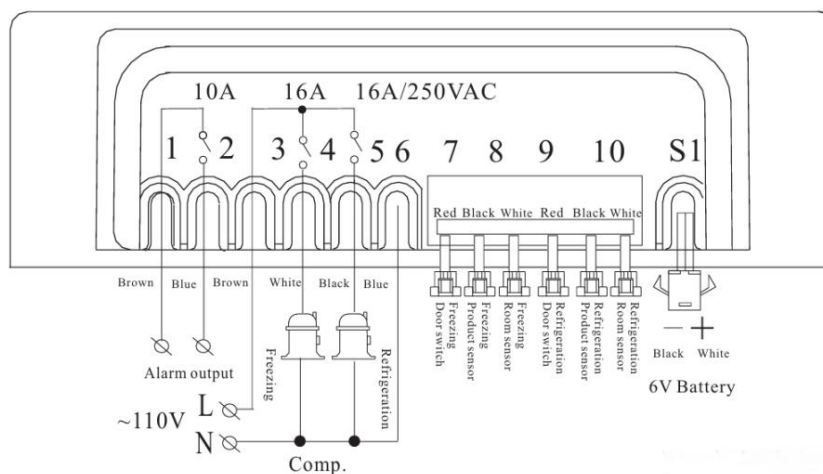
- Court-circuit ou température  $> 66^{\circ}\text{C}$  ( $151^{\circ}\text{F}$ ) : l'affichage alterne **[2H]** et la température de l'air
- Circuit ouvert ou température  $< -40^{\circ}\text{C}$  ( $-40^{\circ}\text{F}$ ) : l'affichage alterne entre **[2L]** et la température de l'air

## Liste des indications d'alarme de fonctionnement de l'instrument

Type d'alarme	Compresseur en marche	Affichage Flash
Alarme de température élevée du congélateur	Compresseur allumé	Alarme de retard H1
Alarme de basse température du congélateur	Compresseur éteint	Alarme de retard L0
Capteur de température d'air court-circuité	Appuyez sur C10, C11 pour exécuter le comp.	Alarme 1H dans le temps
Capteur de température de l'air en circuit ouvert	Appuyez sur C10, C11 pour exécuter le comp.	1L dans l'alarme temporelle
Capteur de température du produit court-circuité		Alarme à 2 heures du temps
Capteur de température du produit en circuit ouvert		Alarme 2L dans le temps
Température du produit élevée.	Alarme de limite	Alarme de retard H2
Température du produit basse température.	Alarme de limite	Alarme de retard L2
Alarme de coupure d'alimentation électrique		Pas d'affichage ni d'alarme à temps
Alarme de retard d'ouverture de porte		Dr flash et alarme de retard

Lorsque la porte est ouverte, l'interrupteur d'éclairage peut allumer et éteindre la lumière.

## SCHÉMA DE CIRCUIT



Lorsque la porte est fermée, contact étroit normal Lorsque la porte est ouverte, le contact est déconnecté

### Notes d'installation :

1. Gardez les fils du capteur séparés des fils d'alimentation haute tension pour éviter le bruit électrique.
2. Utilisez une alimentation séparée pour la charge et le contrôleur.
3. Lors de l'installation du capteur, positionnez la tête du capteur vers le haut et le fil vers le bas.
4. N'installez pas le régulateur de température dans des zones exposées à l'eau ou à l'humidité.

## DÉGIVRAGE

### Compartment réfrigérateur – Dégivrage cyclique

Le compartiment réfrigérateur est équipé d'un dégivrage cyclique réglable. Ce cycle peut être lancé automatiquement via le contrôleur ou manuellement par l'utilisateur. Par défaut, le compresseur s'arrête pendant 20 minutes maximum en mode dégivrage. Cependant, l'intervalle de dégivrage par défaut est réglé sur zéro (0), de sorte que le cycle ne se lance pas automatiquement en conditions normales, sauf activation manuelle.

### Dégivrage manuel du réfrigérateur

1. Appuyez sur le bouton **HI/LO**
2. Appuyez sur le bouton **SET** et maintenez-le enfoncé pendant 6 secondes pour entrer ou sortir du mode dégivrage.

### Compartment congélateur – Dégivrage manuel

Le compartiment congélateur nécessite un dégivrage manuel. Pour des performances optimales, dégivrez le congélateur lorsqu'une couche de glace d'environ 6 mm s'est accumulée à l'intérieur. Avant de dégivrer, retirez tout le contenu du congélateur et réglez le thermostat sur la température maximale (10 °C). Laissez la porte ouverte jusqu'à la fonte complète du givre et de la glace.

Pour accélérer le dégivrage, vous pouvez placer un récipient rempli d'eau tiède (environ 52 °C) à l'intérieur du réfrigérateur. Utilisez des serviettes propres ou une éponge pour absorber l'eau et assurez-vous que l'intérieur est parfaitement sec avant de remettre le thermostat à sa température normale.

**IMPORTANT :** Il est déconseillé de chauffer l'intérieur du congélateur directement avec de l'eau chaude ou un sèche-cheveux pendant le dégivrage car cela peut déformer l'intérieur de l'armoire.

*N'UTILISEZ JAMAIS D'OBJET MÉTALLIQUE POUR ENLEVER LA GLACE DE LA PAROI ARRIÈRE. AU BESOIN, UTILISEZ UN GRATTOIR À GLACE EN PLASTIQUE.*

## NETTOYAGE ET ENTRETIEN

Avant le nettoyage, il est essentiel de débrancher l'appareil de la ligne électrique et de transférer le contenu où ils peuvent être stockés et surveillés aux bonnes températures.

- Utilisez de l'eau tiède et un détergent neutre pour nettoyer le compartiment intérieur.
- Ne laissez pas le panneau de commande, le cordon d'alimentation ou la prise être mouillés.
- N'utilisez jamais de nettoyeurs corrosifs, de brosses métalliques, de tampons abrasifs ou d'outils tranchants pour nettoyer l'appareil.
- Séchez soigneusement toutes les surfaces avant de redémarrer l'appareil.
- Le condenseur est situé à l'arrière de l'armoire. Pour garantir un fonctionnement sans problème, le condenseur doit être nettoyé tous les trois mois, le cas échéant, à l'aide d'un tuyau d'aspirateur.
- Dans les endroits particulièrement poussiéreux, le condenseur doit être nettoyé plus souvent.

Lors du déplacement de l'appareil, maintenez-le en position verticale. L'angle entre l'appareil et une surface horizontale doit être d'au moins 50°. Une inclinaison inférieure à cet angle peut endommager le compresseur et perturber son fonctionnement.

# DÉPANNAGE

Vous pouvez résoudre facilement de nombreux problèmes courants, vous évitant ainsi le coût d'une éventuelle intervention. Essayez les suggestions ci-dessous pour voir si vous pouvez résoudre le problème avant d'appeler le réparateur.

Problèmes	Causes possibles	Remède
L'unité ne fonctionne pas	Mauvaise connexion de la prise	Débranchez le cordon d'alimentation et rebranchez la fiche à l'alimentation électrique.
Fonctionnement anormal du compresseur ou il y a un bourdonnement son	La tension d'alimentation est hors de la plage nominale	Débranchez immédiatement l'alimentation électrique et rebranchez-la après tension normale. Il est nécessaire d'avoir un stabilisateur de tension en cas de faible puissance fournir.
Le compresseur fonctionne longtemps et il n'y a pas de givre sur la surface de l'évaporateur	Le système de réfrigération est défectueux (fuite ou bloqué).	Appel de service
Il y a du givre ou de la glace sur les murs de l'armoire intérieure et l'intérieur la température est trop basse, le compresseur ne s'arrête jamais de fonctionner.	Le thermostat ne fonctionne pas	Appel de service
	Le réglage de la température du thermostat est trop faible.	S'adapter à une température plus élevée
La température interne est trop élevée et le compresseur ne s'arrête jamais en fonctionnement.	Mauvaise dissipation de la chaleur et ventilation du condenseur	Améliorer la ventilation
	Trop d'articles chauds ont été mis en même temps	Retirez quelques marchandises pour que l'air puisse circuler
	La porte est ouverte trop fréquemment pendant le refroidissement initial	Laissez l'appareil refroidir vers le bas de manière adéquate, prévenir le produit accès pendant cette
Trop bruyant	L'unité n'est pas de niveau	Ajustez les pieds réglables
	La fixation de l'unité est desserrée	Serrez l'attache desserrée
	Le tuyau près du compresseur est touchant	Séparez soigneusement les touches des tuyaux
Le côté de l'appareil est chaud	Le condenseur dans la paroi latérale dégage de la chaleur en tant que partie de fonctionnement normal	Il n'y a pas de quoi s'inquiéter.
Parfois un léger bruit d'eau coulera sera entendu	Réfrigérant circulant à l'intérieur du tuyau.	Il n'y a pas de quoi s'inquiéter.
Il peut y avoir condensation sur la porte pleine	Température ambiante élevée ou conditions humides	Sécher avec un chiffon
L'écran affiche « So » et le compresseur ne fonctionne pas	Le capteur de température est en circuit ouvert	Appeler pour le service
L'écran affiche « SC » et le compresseur ne fonctionne pas	Le capteur de température est court-circuité.	Appeler pour le service
L'écran affiche « HH » et le compresseur ne fonctionne pas	La température ambiante est supérieure à 40°C/104°F	Arrêtez immédiatement d'utiliser
L'écran affiche « LL » et le compresseur ne fonctionne pas	La température ambiante est inférieure à -45°C/-49°F.	Arrêtez immédiatement d'utiliser

Si vous continuez à rencontrer des problèmes, contactez le service d'assistance technique d'Acccold au **1-888-4-MEDLAB** ou visitez notre site Web <https://www.accucold.com/support>.

## GARANTIE LIMITÉE

### GARANTIE LIMITÉE DE DEUX ANS

La couverture de garantie est disponible dans les 48 États continentaux des États-Unis, ainsi que dans certaines régions de l'Alaska, d'Hawaï et du Canada. Pour les endroits non couverts, les consommateurs peuvent soit contacter un fournisseur local, soit coordonner avec Felix Storch, Inc. afin de trouver des options de service à proximité, lesquelles peuvent donner droit à un remboursement partiel.

La garantie de cet appareil est valable pendant deux ans à compter de la date d'achat, à condition que l'appareil soit utilisé et entretenu conformément aux instructions fournies avec le produit. Le garant prendra en charge le coût des pièces d'origine spécifiées par l'usine et de la main-d'œuvre nécessaire pour corriger les défauts de matériaux ou de fabrication. Le service doit être effectué par une entreprise de service désignée.

Toutes les pièces, sauf le compresseur, sont garanties pendant deux ans contre les défauts de fabrication. Les pièces en plastique, les étagères et les armoires sont fabriquées selon des normes commerciales acceptables, mais ne sont pas couvertes en cas de dommages subis lors de la manipulation ou de bris.

### GARANTIE DE 5 ANS SUR LE COMPRESSEUR

1. Le compresseur est couvert pendant 5 ans.
2. Le remplacement n'inclut pas la main-d'œuvre.

### ÉLÉMENTS NON COUVERTS PAR LE GARANT:

1. Les appels de service visant à corriger l'installation de votre appareil, à vous expliquer son utilisation, à remplacer ou réparer des fusibles ou à corriger le câblage ou la plomberie.
2. Les appels de service pour réparer ou remplacer les ampoules de l'appareil ou les étagères cassées. Les pièces consommables (comme les filtres) sont exclues de la couverture de garantie.
3. Les dommages résultant d'un accident, d'une modification, d'une mauvaise utilisation, d'un abus, d'un incendie, d'une inondation, de catastrophes naturelles, d'une installation incorrecte, d'une installation non conforme aux codes électriques ou de plomberie, ou de l'utilisation de produits non approuvés par le garant.
4. Les pièces de rechange ou les coûts de main-d'œuvre pour des appareils utilisés en dehors des 48 États continentaux des États-Unis, ainsi que dans certaines régions de l'Alaska, d'Hawaï et du Canada.
5. Les réparations de pièces ou de systèmes résultant de modifications non autorisées apportées à l'appareil.
6. Les frais de déplacement et de transport pour le service du produit dans des endroits éloignés.
7. Le retrait et la réinstallation de votre appareil s'il est installé dans un endroit inaccessible ou non installé conformément aux instructions d'installation publiées.

### EXONÉRATION DES GARANTIES IMPLICITES ; LIMITATION DES RECOURS

LE SEUL ET UNIQUE RECOURS DU CLIENT EN VERTU DE LA PRÉSENTE GARANTIE LIMITÉE CONSISTE EN LA RÉPARATION DU PRODUIT TELLE QUE PRÉVUE CI-DESSUS. LES GARANTIES IMPLICITES, Y COMPRIS LES GARANTIES DE QUALITÉ MARCHANDE OU D'APTITUDE À UN USAGE PARTICULIER, SONT LIMITÉES À DEUX ANS. LE GARANT NE SERA PAS RESPONSABLE DES DOMMAGES INDIRECTS OU CONSÉCUTIFS. CERTAINS ÉTATS N'AUTORISENT PAS L'EXCLUSION OU LA LIMITATION DES DOMMAGES INDIRECTS OU CONSÉCUTIFS, NI LES LIMITATIONS DE DURÉE DES GARANTIES IMPLICITES DE QUALITÉ MARCHANDE OU D'APTITUDE, DE SORTE QUE CES EXCLUSIONS OU LIMITATIONS PEUVENT NE PAS S'APPLIQUER À VOUS. CETTE GARANTIE VOUS CONFÈRE DES DROITS LÉGAUX SPÉCIFIQUES, ET VOUS POUVEZ ÉGALEMENT BÉNÉFICIER D'AUTRES DROITS QUI VARIENT SELON L'ÉTAT.



**AVERTISSEMENT : Ce produit peut vous exposer à des produits chimiques, y compris le Nickel (Métallique) qui est connu dans l'État de Californie pour provoquer le cancer.**

Pour plus d'informations, rendez-vous sur [www.P65Warnings.ca.gov](http://www.P65Warnings.ca.gov)

Remarque : Le Nickel est un composant de tout l'acier inoxydable et de certaines autres compositions Métalliques

**Accucold Division of Felix Storch, Inc.**  
An ISO 9001:2015 registered company  
770 Garrison Avenue  
Bronx, NY 10474

**accucold®**

For parts and accessory ordering,  
troubleshooting and helpful hints, visit:  
[www.accucold.com/support](http://www.accucold.com/support)

Revised: 2025-08-26