



# Performance Series

GAS DRYER  
USE & CARE GUIDE

SÉCHEUSE À GAZ  
GUIDE D'UTILISATION ET D'ENTRETIEN

FOR QUESTIONS ABOUT FEATURES, OPERATION/PERFORMANCE,  
PARTS, ACCESSORIES OR SERVICE CALL: 1.800.688.9900  
IN CANADA, CALL: 1.800.807.6777

VISIT OUR WEBSITE AT [WWW.MAYTAG.COM](http://WWW.MAYTAG.COM)  
IN CANADA, [WWW.MAYTAG.CA](http://WWW.MAYTAG.CA)

AU CANADA, POUR ASSISTANCE, INSTALLATION OU SERVICE,  
COMPOSEZ LE : 1.800.807.6777

OU VISITEZ NOTRE SITE INTERNET À  
[WWW.MAYTAG.CA](http://WWW.MAYTAG.CA)

W10057352A



# TABLE OF CONTENTS

<b>DRYER SAFETY</b> .....	<b>3</b>
<b>INSTALLATION INSTRUCTIONS</b> .....	<b>5</b>
Tools and Parts.....	5
Optional Pedestal.....	5
Location Requirements.....	6
Electrical Requirements.....	8
Gas Supply Requirements .....	9
Venting Requirements.....	10
Plan Vent System.....	12
Install Vent System .....	13
Install Leveling Legs .....	14
Make Gas Connection.....	14
Connect Vent .....	15
Connect Inlet Hose.....	15
Level Dryer .....	16
Complete Installation .....	16
<b>DRYER USE</b> .....	<b>17</b>
Starting Your Dryer.....	17
Stopping Your Dryer .....	19
Pausing or Restarting.....	19
Control Lock .....	19
Drying and Cycle Tips.....	19
Status Indicator.....	20
Cycles .....	20
Optional Features.....	22
Changing Cycles, Options and Modifiers .....	22
Drying Rack Option.....	23
<b>DRYER CARE</b> .....	<b>24</b>
Cleaning the Dryer Location .....	24
Cleaning the Lint Screen .....	24
Cleaning the Dryer Interior.....	24
Removing Accumulated Lint.....	24
Water Inlet Hoses.....	25
Vacation, Storage and Moving Care.....	25
Changing the Drum Light.....	25
<b>TROUBLESHOOTING</b> .....	<b>26</b>
Dryer Operation.....	26
Dryer Results.....	27
<b>ASSISTANCE OR SERVICE</b> .....	<b>29</b>
In the U.S.A.....	29
In Canada.....	29
<b>MAYTAG® MAJOR APPLIANCE WARRANTY</b> .....	<b>30</b>

# TABLE DES MATIÈRES

<b>SÉCURITÉ DE LA SÈCHEUSE</b> .....	<b>31</b>
<b>INSTRUCTIONS D'INSTALLATION</b> .....	<b>33</b>
Outillage et pièces .....	33
Piédestal facultatif .....	33
Exigences d'emplacement.....	34
Spécifications électriques .....	36
Spécifications de l'alimentation en gaz .....	37
Exigences concernant l'évacuation .....	38
Planification du système d'évacuation .....	40
Installation du système d'évacuation.....	41
Installation des pieds de nivellement.....	42
Raccordement au gaz.....	42
Raccordement du conduit d'évacuation.....	43
Raccordement du tuyau d'alimentation.....	43
Mise à niveau de la sècheuse.....	44
Achever l'installation.....	44
<b>UTILISATION DE LA SÈCHEUSE</b> .....	<b>45</b>
Mise en marche de la sècheuse.....	45
Arrêt de la sècheuse .....	47
Pause ou remise en marche.....	47
Verrouillage des commandes .....	47
Conseils pour les programmes.....	48
Témoins lumineux.....	48
Programmes .....	49
Caractéristiques supplémentaires .....	50
Changement des programmes, options et modificateurs ..	51
Grille de séchage .....	52
<b>ENTRETIEN DE LA SÈCHEUSE</b> .....	<b>53</b>
Nettoyage de l'emplacement de la sècheuse.....	53
Nettoyage du filtre à charpie .....	53
Nettoyage de l'intérieur de la sècheuse.....	53
Retrait de la charpie accumulée .....	54
Tuyaux d'arrivée d'eau.....	54
Précautions à prendre avant les vacances, un entreposage ou un déménagement .....	54
Changement de l'ampoule d'éclairage du tambour.....	54
<b>DÉPANNAGE</b> .....	<b>55</b>
Fonctionnement de la sècheuse .....	55
Résultats de la sècheuse .....	55
<b>ASSISTANCE OU SERVICE</b> .....	<b>57</b>
Aux États-Unis.....	57
Au Canada .....	57
<b>GARANTIE</b> .....	<b>58</b>

# DRYER SAFETY

## Your safety and the safety of others are very important.

We have provided many important safety messages in this manual and on your appliance. Always read and obey all safety messages.



This is the safety alert symbol.

This symbol alerts you to potential hazards that can kill or hurt you and others.

All safety messages will follow the safety alert symbol and either the word “DANGER” or “WARNING.”

These words mean:

**⚠ DANGER**

You can be killed or seriously injured if you don't immediately follow instructions.

**⚠ WARNING**

You can be killed or seriously injured if you don't follow instructions.

All safety messages will tell you what the potential hazard is, tell you how to reduce the chance of injury, and tell you what can happen if the instructions are not followed.

**WARNING: For your safety, the information in this manual must be followed to minimize the risk of fire or explosion, or to prevent property damage, personal injury, or death.**

- Do not store or use gasoline or other flammable vapors and liquids in the vicinity of this or any other appliance.
- **WHAT TO DO IF YOU SMELL GAS:**
  - Do not try to light any appliance.
  - Do not touch any electrical switch; do not use any phone in your building.
  - Clear the room, building, or area of all occupants.
  - Immediately call your gas supplier from a neighbor's phone. Follow the gas supplier's instructions.
  - If you cannot reach your gas supplier, call the fire department.
- Installation and service must be performed by a qualified installer, service agency, or the gas supplier.

**WARNING:** Gas leaks cannot always be detected by smell.

Gas suppliers recommend that you use a gas detector approved by UL or CSA.

For more information, contact your gas supplier.

If a gas leak is detected, follow the “What to do if you smell gas” instructions.

In the State of Massachusetts, the following installation instructions apply:

- Installations and repairs must be performed by a qualified or licensed contractor, plumber, or gasfitter qualified or licensed by the State of Massachusetts.
- If using a ball valve, it shall be a T-handle type.
- A flexible gas connector, when used, must not exceed 3 feet.

### IMPORTANT SAFETY INSTRUCTIONS

**WARNING:** To reduce the risk of fire, electric shock, or injury to persons when using the dryer, follow basic precautions, including the following:

- Read all instructions before using the dryer.
- Do not place items exposed to cooking oils in your dryer. Items contaminated with cooking oils may contribute to a chemical reaction that could cause a load to catch fire.
- Do not dry articles that have been previously cleaned in, washed in, soaked in, or spotted with gasoline, dry-cleaning solvents, or other flammable or explosive substances as they give off vapors that could ignite or explode.
- Do not allow children to play on or in the dryer. Close supervision of children is necessary when the dryer is used near children.
- Before the dryer is removed from service or discarded, remove the door to the drying compartment.
- Do not reach into the dryer if the drum is moving.
- Do not install or store the dryer where it will be exposed to the weather.
- Do not tamper with controls.
- Do not repair or replace any part of the dryer or attempt any servicing unless specifically recommended in this Use and Care Guide or in published user-repair instructions that you understand and have the skills to carry out.
- Do not use fabric softeners or products to eliminate static unless recommended by the manufacturer of the fabric softener or product.
- Do not use heat to dry articles containing foam rubber or similarly textured rubber-like materials.
- Clean lint screen before or after each load.
- Keep area around the exhaust opening and adjacent surrounding areas free from the accumulation of lint, dust, and dirt.
- The interior of the dryer and exhaust vent should be cleaned periodically by qualified service personnel.
- See installation instructions for grounding requirements.

**SAVE THESE INSTRUCTIONS**

**IMPORTANT:** The gas installation must conform with local codes, or in the absence of local codes, with the National Fuel Gas Code, ANSI Z223.1/NFPA 54 or the Canadian Natural Gas and Propane Installation Code, CSA B149.1.

The dryer must be electrically grounded in accordance with local codes, or in the absence of local codes, with the National Electrical Code, ANSI/NFPA 70 or Canadian Electrical Code, CSA C22.1.

# INSTALLATION INSTRUCTIONS

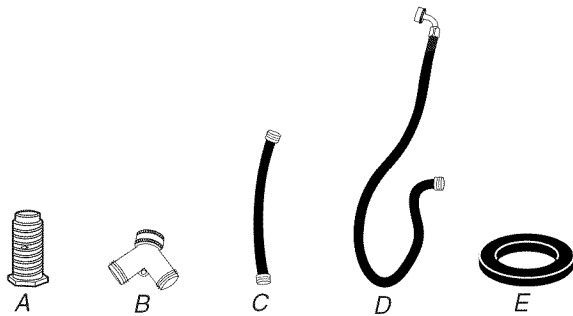
## Tools and Parts

Gather the required tools and parts before starting installation. Read and follow the instructions provided with any tools listed here.

- 8" or 10" pipe wrench
- 8" or 10" adjustable wrench (for gas connections)
- Flat-blade screwdriver
- Adjustable wrench that opens to 1" (2.5 cm) or hex-head socket wrench (for adjusting dryer feet)
- 1/4" nut driver or socket wrench (recommended)
- Level
- Knife
- Vent clamps
- Pipe-joint compound resistant to LP gas
- Caulking gun and compound (for installing new exhaust vent)
- Pliers
- Tape measure

## Parts supplied

Remove parts package from dryer drum. Check that all parts are included.



- A. Leveling legs (4)
- B. "Y" connector
- C. Short inlet hose
- D. Inlet hose with right-angle connector
- E. Rubber washer

**NOTE:** Do not use leveling legs supplied with dryer if installing on a pedestal.

## Parts needed

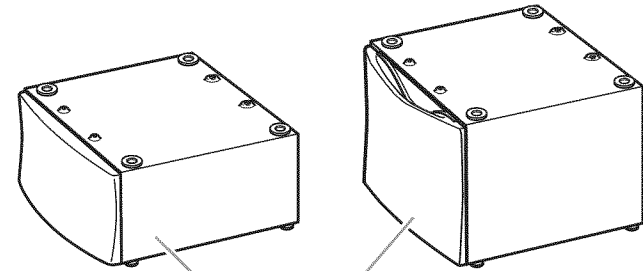
Check local codes. Check existing electrical supply and venting. See "Electrical Requirements" and "Venting Requirements" before purchasing parts.

Mobile home installations require metal exhaust system hardware available for purchase from the dealer from whom you purchased your dryer. For further information, please refer to the "Assistance or Service" section.

## Optional Pedestal

Are you placing the dryer on a pedestal? You have the option of purchasing pedestals of different heights separately for this dryer. You may select a 10" (25.4 cm) or 15.5" (39.4 cm) pedestal with drawer. The pedestal will add to the total height of the dryer for a total height of approximately 48" (121.9 cm) or 53.5" (135.9 cm), respectively.

For a garage installation, you will need to place the 10" (25.4 cm) pedestal at least 9" (22.9 cm) above the floor. You will need to place the 15.5" (39.4 cm) pedestal at least 3.5" (8.9 cm) above the floor.



A. 10" (25.4 cm) pedestal  
B. 15.5" (39.4 cm) pedestal

The pedestals are available in several colors. To order, call the dealer from whom you purchased your dryer or refer to the "Assistance or Service" section.

Pedestal Height	Color	Part Number
10" (25.4 cm)	White	MHP1000SQ
15.5" (39.4 cm)	White	XHP1550VW
15.5" (39.4 cm)	Crimson	XHP1550VF
15.5" (39.4 cm)	Evergreen	XHP1550VP
15.5" (39.4 cm)	Oxide	XHP1550VJ

## Stack Kit

Are you planning to stack your washer and dryer? To do so, you will need to purchase a Stack Kit. To order, call the dealer from whom you purchased your dryer or refer to the "Assistance or Service" section. Ask for Part Number 8212640.

## Door Reversal Kit

Are you planing to reverse the door swing direction on your PERFORMANCE SERIES dryer? To do so, you will need to purchase a Door Reversal Kit.

To order, call the dealer from whom you purchased your dryer or refer to the "Assistance or Service" section. Ask for Part Number W10200372.


## Backguard

If you are installing your PERFORMANCE SERIES washer and dryer and wish to avoid having loose items fall behind your machines, you may purchase a pair of washer/dryer backguards. These will reduce the chance of items falling behind the machines during operation.

To order, call the dealer from whom you purchased your dryer or refer to the "Assistance or Service" section. Ask for Part Number 8558694 (White).

## Location Requirements

**⚠ WARNING**



**Explosion Hazard**

**Keep flammable materials and vapors, such as gasoline, away from dryer.**

**Place dryer at least 18 inches (46 cm) above the floor for a garage installation.**

**Failure to do so can result in death, explosion, or fire.**

### You will need

- A location that allows for proper exhaust installation. A gas dryer must be exhausted to the outdoors. See "Venting Requirements."
- A separate 30-amp circuit.
- If you are using a power supply cord, a grounded electrical outlet located within 2 ft (61 cm) of either side of the dryer. See "Electrical Requirements."
- Cold water faucets located within 4 ft (1.2 m) of the dryer, and water pressure of 20-100 psi (137.9-689.6 kPa). You may use the cold water supply from your washer using the "Y" connector provided.
- A sturdy floor to support the total dryer weight of 200 lbs (90.7 kg). The combined weight of a companion appliance should also be considered.
- A level floor with a maximum slope of 1" (2.5 cm) under entire dryer. If slope is greater than 1" (2.5 cm), install Extended Dryer Feet Kit, Part Number 279810. Clothes may not tumble properly and automatic sensor cycles may not operate correctly if dryer is not level.
- For a garage installation, you will need to place the dryer at least 18" (46 cm) above the floor. If using a pedestal, you will need 18" (46 cm) to the bottom of the dryer.

Do not operate your dryer at temperatures below 45°F (7°C). At lower temperatures, the dryer might not shut off at the end of an automatic cycle. This can result in longer drying times.

The dryer must not be installed or stored in an area where it will be exposed to water and/or weather.

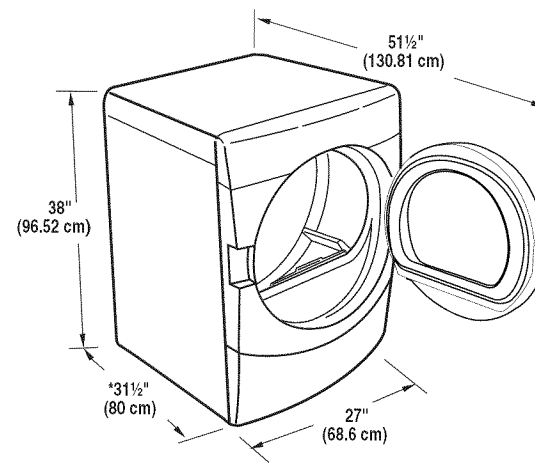
Check code requirements. Some codes limit, or do not permit, installation of the dryer in garages, closets, mobile homes or sleeping quarters. Contact your local building inspector.

**NOTE:** No other fuel-burning appliance can be installed in the same closet as a dryer.

### Installation clearances

The location must be large enough to allow the dryer door to open fully.

### Dryer Dimensions



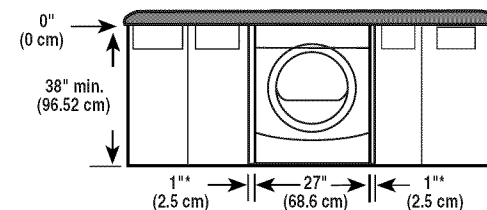
\*Most installations require a minimum 5" (12.7 cm) clearance behind the dryer for the exhaust vent with elbow. See "Venting Requirements."

### Installation spacing for recessed area or closet installation

The following spacing dimensions are recommended for this dryer. This dryer has been tested for spacing of 0" (0 cm) clearance on the sides and rear. Recommended spacing should be considered for the following reasons:

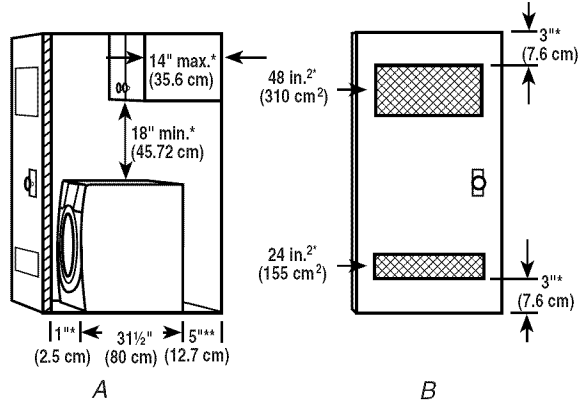
- Additional spacing should be considered for ease of installation and servicing.
- Additional clearances might be required for wall, door and floor moldings.
- Additional spacing should be considered on all sides of the dryer to reduce noise transfer.
- For closet installation, with a door, minimum ventilation openings in the top and bottom of the door are required. Louvered doors with equivalent ventilation openings are acceptable.
- Companion appliance spacing should also be considered.

### Custom undercounter installation - Dryer only



\*Required spacing

### Closet installation - Dryer only

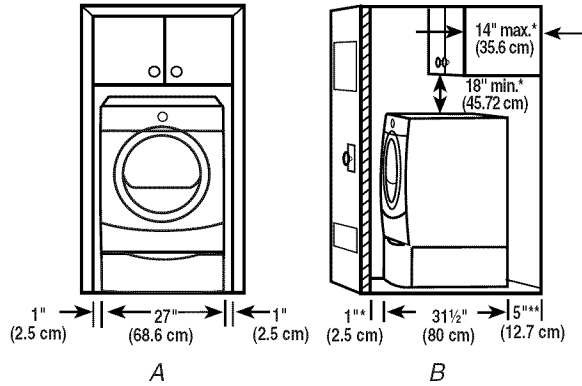


A. Side view - closet or confined area  
B. Closet door with vents

\*Required spacing

\*\*For side or bottom venting, 0" (0 cm) spacing is allowed.

### Recessed or closet installation - Dryer on pedestal



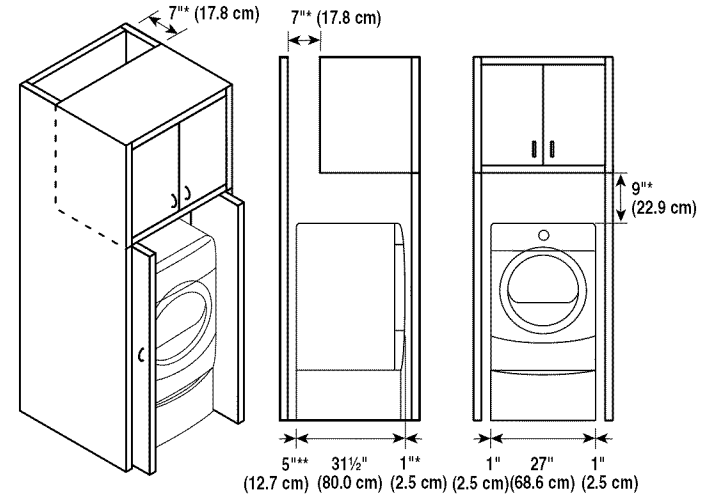
A. Recessed area  
B. Side view - closet or confined area

\*Required spacing

\*\*For side or bottom venting, 0" (0 cm) spacing is allowed.

### Recommended installation spacing for cabinet installation

- For cabinet installation, with a door, minimum ventilation openings in the top of the cabinet are required.

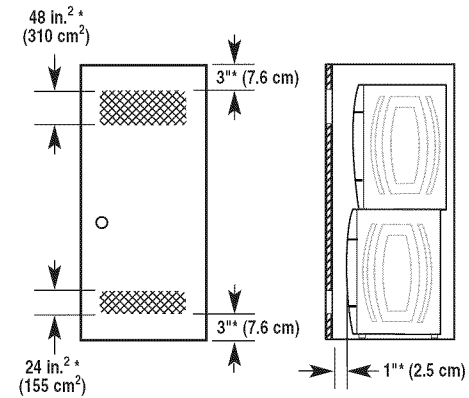


\*Required spacing

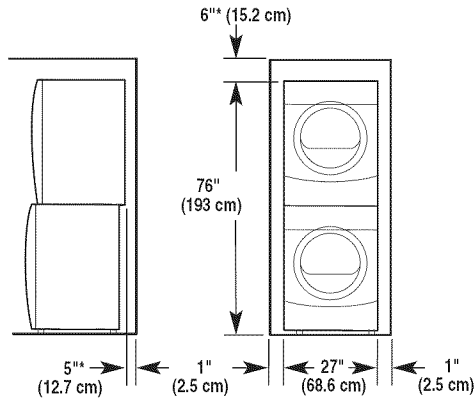
\*\*For side or bottom venting, 0" (0 cm) spacing is allowed.

### Recommended installation spacing for recessed or closet installation, with stacked washer and dryer

The dimensions shown are for the recommended spacing.



\*Required spacing



\*Required spacing

### Mobile home - Additional installation requirements

This dryer is suitable for mobile home installations. The installation must conform to the Manufactured Home Construction and Safety Standard, Title 24 CFR, Part 3280 (formerly the Federal Standard for Mobile Home Construction and Safety, Title 24, HUD Part 280) or Standard CAN/CSA-Z240 MH.

### Mobile home installations require:

- Metal exhaust system hardware, which is available for purchase from your dealer.
- Special provisions must be made in mobile homes to introduce outside air into the dryer. The opening (such as a nearby window) should be at least twice as large as the dryer exhaust opening.

## Electrical Requirements

### ⚠ WARNING



#### Electrical Shock Hazard

Plug into a grounded 3 prong outlet.

Do not remove ground prong.

Do not use an adapter.

Do not use an extension cord.

**Failure to follow these instructions can result in death, fire, or electrical shock.**

- 120 Volt, 60 Hz., AC only, 15- or 20-amp fused electrical supply is required. A time-delay fuse or circuit breaker is recommended. It is also recommended that a separate circuit serving only this dryer be provided.

### GROUNDING INSTRUCTIONS

- For a grounded, cord-connected dryer:  
This dryer must be grounded. In the event of malfunction or breakdown, grounding will reduce the risk of electric shock by providing a path of least resistance for electric current. This dryer is equipped with a cord having an equipment-grounding conductor and a grounding plug. The plug must be plugged into an appropriate outlet that is properly installed and grounded in accordance with all local codes and ordinances.

**WARNING:** Improper connection of the equipment-grounding conductor can result in a risk of electric shock. Check with a qualified electrician or service representative or personnel if you are in doubt as to whether the dryer is properly grounded. Do not modify the plug provided with the dryer: if it will not fit the outlet, have a proper outlet installed by a qualified electrician.

**SAVE THESE INSTRUCTIONS**

## Gas Supply Requirements

### **⚠ WARNING**



#### **Explosion Hazard**

**Use a new CSA International approved gas supply line.**

**Install a shut-off valve.**

**Securely tighten all gas connections.**

**If connected to LP, have a qualified person make sure gas pressure does not exceed 13" (33 cm) water column.**

**Examples of a qualified person include:**

**licensed heating personnel,  
authorized gas company personnel, and  
authorized service personnel.**

**Failure to do so can result in death, explosion, or fire.**

### Gas Type

#### **Natural gas:**

This dryer is equipped for use with Natural gas. It is design-certified by CSA International for LP (propane or butane) gases with appropriate conversion.

- Your dryer must have the correct burner for the type of gas in your home. Burner information is located on the rating plate in the door well of your dryer. If this information does not agree with the type of gas available, contact your dealer or call the phone numbers referenced in the "Assistance or Service" section.

#### **LP gas conversion:**

**Conversion must be made by a qualified technician.**

No attempt shall be made to convert the appliance from the gas specified on the model/serial rating plate for use with a different gas without consulting your gas company.

### Gas supply line

- Must include 1/8" NPT minimum plugged tapping accessible for test gauge connection, immediately upstream of the gas connection to the dryer. See illustration.
- 1/2" IPS pipe is recommended.
- 3/8" approved aluminum or copper tubing is acceptable for lengths under 20 ft (6.1 m) if local codes and gas supplier permit.
- If you are using Natural gas, do not use copper tubing.
- Lengths over 20 ft (6.1 m) should use larger tubing and a different size adapter fitting.
- If your dryer has been converted to use LP gas, 3/8" LP compatible copper tubing can be used. If the total length of the supply line is more than 20 ft (6.1 m), use larger pipe.

**NOTE:** Pipe-joint compounds that resist the action of LP gas must be used. Do not use TEFLON<sup>®†</sup> tape.

- Must include a shutoff valve:

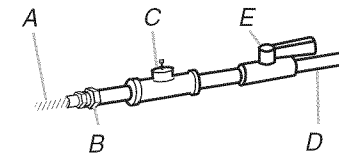
#### **In the U.S.A.:**

An individual manual shutoff valve must be installed within six (6) feet (1.8 m) of the dryer in accordance with the National Fuel Gas Code, ANSI Z223.1. The location should be easy to reach for opening and closing.

#### **In Canada:**

An individual manual shutoff valve must be installed in accordance with the B149.1, Natural Gas and Propane Installation Code. It is recommended that an individual manual shutoff valve be installed within six (6) feet (1.8 m) of the dryer.

The location should be easy to reach for opening and closing.



- A. 3/8" flexible gas connector
- B. 3/8" pipe to flare adapter fitting
- C. 1/8" NPT minimum plugged tapping
- D. 1/2" NPT gas supply line
- E. Gas shutoff valve

### Gas supply connection requirements

- Use an elbow and a 3/8" flare x 3/8" NPT adapter fitting between the flexible gas connector and the dryer gas pipe, as needed to avoid kinking.
- Use only pipe-joint compound. Do not use TEFLON<sup>®†</sup> tape.
- This dryer must be connected to the gas supply line with a listed flexible gas connector that complies with the standard for connectors for gas appliances, ANSI Z21.24 or CSA 6.10.

<sup>†</sup>TEFLON is a registered trademark of E.I. Du Pont De Nemours and Company.

## Burner input requirements

### Elevations above 10,000 ft (3,048 m):

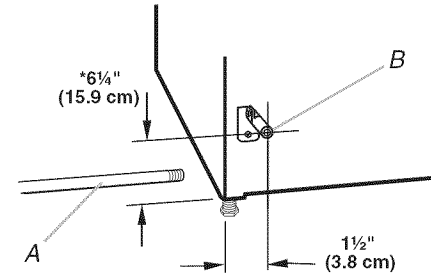
- When installed above 10,000 ft (3,048 m) a 4% reduction of the burner Btu rating shown on the model/serial number plate is required for each 1,000 ft (305 m) increase in elevation.

### Gas supply pressure testing

- The dryer must be disconnected from the gas supply piping system during pressure testing at pressures greater than 1/2 psi.

## Dryer gas pipe

The gas pipe that comes out through the rear of your dryer has a 3/8" male pipe thread.



A. 1/2" NPT gas supply line  
B. 3/8" NPT dryer pipe

**\*NOTE:** If the dryer is mounted on a pedestal, the gas pipe height must be an additional 10" (25.4 cm) or 15.5" (39.4 cm) from the floor, depending on the pedestal model. For a garage installation, the gas pipe height must be an additional 18" (46 cm) from the floor.

## Venting Requirements

**⚠ WARNING**

**Fire Hazard**

**Use a heavy metal vent.**

**Do not use a plastic vent.**

**Do not use a metal foil vent.**

**Failure to follow these instructions can result in death or fire.**

**WARNING:** To reduce the risk of fire, this dryer **MUST BE EXHAUSTED OUTDOORS.**

**IMPORTANT:** Observe all governing codes and ordinances.

The dryer exhaust must not be connected into any gas vent, chimney, wall, ceiling or a concealed space of a building.

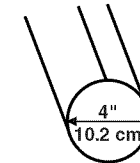
### If using an existing vent system

- Clean lint from the entire length of the system and make sure exhaust hood is not plugged with lint.
- Replace any plastic or metal foil vent with rigid or flexible heavy metal vent.
- Review vent system chart. Modify existing vent system if necessary to achieve the best drying performance.

### If this is a new vent system

#### Vent material

- Use a heavy metal vent. Do not use plastic or metal foil vent.
- 4" (10.2 cm) heavy metal exhaust vent and clamps must be used.



4" (10.2 cm) heavy metal exhaust vent

Vent products can be purchased from your dealer or by calling Maytag Services. For more information, see the "Assistance or Service" section.

#### Rigid metal vent

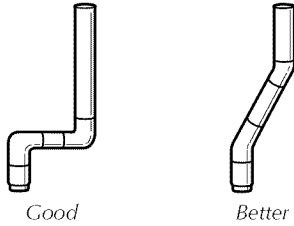
- For best drying performance, rigid metal vents are recommended.
- Rigid metal vent is recommended to avoid crushing and kinking.

### Flexible metal vent

- Flexible metal vents are acceptable only if accessible for cleaning.
- Flexible metal vent must be fully extended and supported when the dryer is in its final location.
- Remove excess flexible metal vent to avoid sagging and kinking that may result in reduced airflow and poor performance.
- Do not install flexible metal vent in enclosed walls, ceilings or floors.

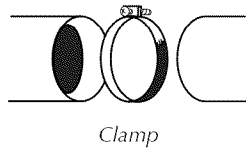
### Elbows

45° elbows provide better airflow than 90° elbows.



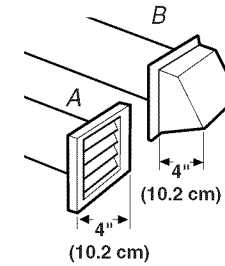
### Clamps

- Use clamps to seal all joints.
- Exhaust vent must not be connected or secured with screws or other fastening devices that extend into the interior of the duct. Do not use duct tape.



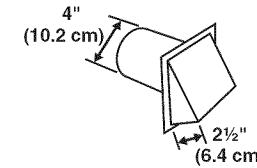
### Exhaust

Recommended hood styles are shown here.



A. Louvered hood style  
B. Box hood style

The angled hood style (shown here) is acceptable.



- An exhaust hood should cap the vent to keep rodents and insects from entering the home.
- Exhaust hood must be at least 12" (30.5 cm) from the ground or any object that may be in the path of the exhaust (such as flowers, rocks or bushes, snow line, etc.).
- Do not use an exhaust hood with a magnetic latch.

#### Improper venting can cause moisture and lint to collect indoors, which may result in:

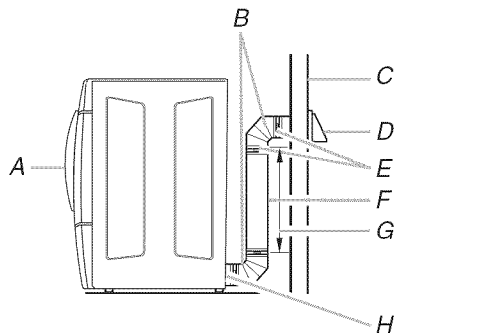
- Moisture damage to woodwork, furniture, paint, wallpaper, carpets, etc.
- Housecleaning problems and health problems.

# Plan Vent System

## Choose your exhaust installation type

### Recommended exhaust installations

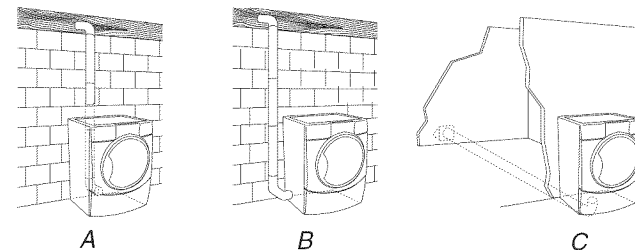
Typical installations vent the dryer from the rear of the dryer. Other installations are possible.



- A. Dryer
- B. Elbow
- C. Wall
- D. Exhaust hood
- E. Clamps
- F. Rigid metal or flexible metal vent
- G. Vent length necessary to connect elbows
- H. Exhaust outlet

### Optional exhaust installations

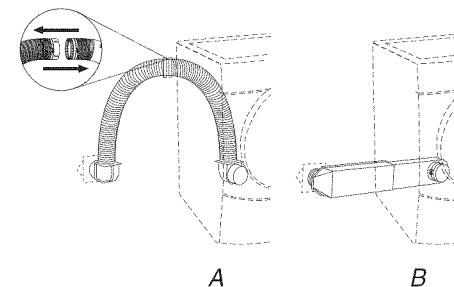
This dryer can be converted to exhaust out the right side, left side or through the bottom. If you prefer, you may contact your local dealer to have the dryer converted.



- A. Standard rear offset exhaust installation
- B. Left or right side exhaust installation
- C. Bottom exhaust installation

### Alternate installations for close clearances

Venting systems come in many varieties. Select the type best for your installation. Two close-clearance installations are shown. Refer to the manufacturer's instructions.



- A. Over-the-top installation (also available with one offset elbow)
- B. Periscope installation

**NOTE:** The following kits for close clearance alternate installations are available for purchase. Please see the "Assistance or Service" section to order.

- Over-the-Top Installation:  
Part Number 4396028
- Periscope Installation (For use with dryer vent to wall vent mismatch):  
Part Number 4396037 - 0" (0 cm) to 18" (45.72 cm) mismatch  
Part Number 4396011 - 18" (45.72 cm) to 29" (73.66 cm) mismatch  
Part Number 4396014 - 29" (73.66 cm) to 50" (127 cm) mismatch

## WARNING



### Fire Hazard

Cover unused exhaust holes with one of the following kits:

279818 (white)

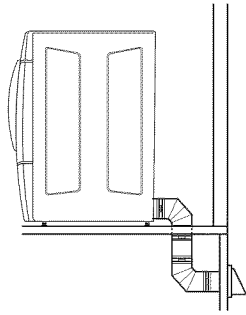
W10186596 (midnight grey)

Contact your local dealer.

Failure to follow these instructions can result in death, fire, electrical shock, or serious injury.

### Special provisions for mobile home installations

The exhaust vent must be securely fastened to a noncombustible portion of the mobile home structure and must not terminate beneath the mobile home. Terminate the exhaust vent outside.



#### Determine vent path

- Select the route that will provide the straightest and most direct path outdoors.
- Plan the installation to use the fewest number of elbows and turns.
- When using elbows or making turns, allow as much room as possible.
- Bend vent gradually to avoid kinking.
- Use the fewest 90° turns possible.

#### Determine vent length and elbows needed for best drying performance

- Use the following Vent system chart to determine type of vent material and hood combinations acceptable to use.

**NOTE:** Do not use vent runs longer than those specified in the Vent system chart. Exhaust systems longer than those specified will:

- Shorten the life of the dryer.
- Reduce performance, resulting in longer drying times and increased energy usage.

The Vent system chart provides venting requirements that will help to achieve the best drying performance.

### Vent system chart

**NOTE:** Side and bottom exhaust installations have a 90° turn inside the dryer. To determine maximum exhaust length, add one 90° turn to the chart.

Number of 90° turns or elbows	Type of vent	Box or louvered hoods	Angled hoods
0	Rigid metal	64 ft (20 m)	58 ft (17.7 m)
	Flexible metal	36 ft (11 m)	28 ft (8.5 m)
1	Rigid metal	54 ft (16.5 m)	48 ft (14.6 m)
	Flexible metal	31 ft (9.4 m)	23 ft (7 m)
2	Rigid metal	44 ft (13.4 m)	38 ft (11.6 m)
	Flexible metal	27 ft (8.2 m)	19 ft (5.8 m)
3	Rigid metal	35 ft (10.7 m)	29 ft (8.8 m)
	Flexible metal	25 ft (7.6 m)	17 ft (5.2 m)
4	Rigid metal	27 ft (8.2 m)	21 ft (6.4 m)
	Flexible metal	23 ft (7 m)	15 ft (4.6 m)

### Install Vent System

1. Install exhaust hood. Use caulking compound to seal exterior wall opening around exhaust hood.
2. Connect vent to exhaust hood. Vent must fit inside exhaust hood. Secure vent to exhaust hood with 4" (10.2 cm) clamp.
3. Run vent to dryer location. Use the straightest path possible. See "Determine vent path" in "Plan Vent System." Avoid 90° turns. Use clamps to seal all joints. Do not use duct tape, screws or other fastening devices that extend into the interior of the vent to secure vent.

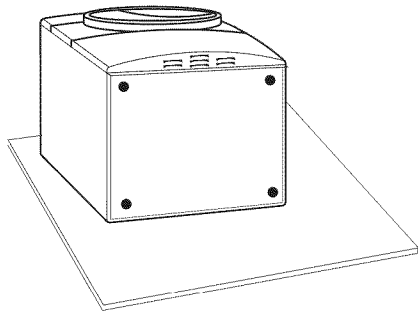
## Install Leveling Legs

### **⚠ WARNING**

#### **Excessive Weight Hazard**

**Use two or more people to move and install dryer.  
Failure to do so can result in back or other injury.**

1. To protect the floor, use a large flat piece of cardboard from the dryer carton. Place cardboard under the entire back edge of the dryer.
2. Firmly grasp the body of the dryer (not the console panel). Gently lay the dryer on the cardboard. See illustration.



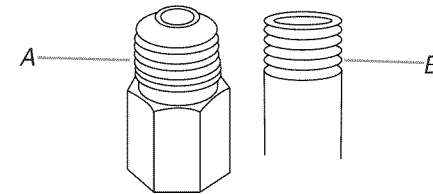
3. Examine the leveling legs. Find the diamond marking.



4. Screw the legs into the leg holes by hand. Use a wrench to finish turning the legs until the diamond marking is no longer visible.
5. Place a carton corner post from dryer packaging under each of the 2 dryer back corners. Stand the dryer up. Slide the dryer on the corner posts until it is close to its final location. Leave enough room to connect the exhaust vent.

## Make Gas Connection

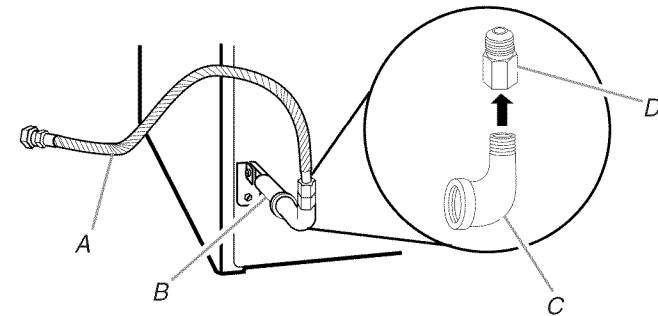
1. Remove the red cap from the gas pipe.
2. Using a wrench to tighten, connect the gas supply to the dryer. Use pipe-joint compound on the threads of all non-flared male fittings. If flexible metal tubing is used, be sure there are no kinks.



A. Flared male fitting  
B. Non-flared male fitting

**NOTE:** For LP gas connections, you must use pipe-joint compound resistant to the action of LP gas. Do not use TEFLON<sup>®†</sup> tape.

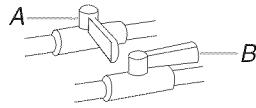
A combination of pipe fittings must be used to connect the dryer to the existing gas line. Shown is a recommended connection. Your connection may be different, according to the supply line type, size and location.



A.  $\frac{3}{8}$ " flexible gas connector  
B.  $\frac{3}{8}$ " dryer pipe  
C.  $\frac{3}{8}$ " to  $\frac{3}{8}$ " pipe elbow  
D.  $\frac{3}{8}$ " pipe-to-flare adapter fitting

<sup>†</sup>TEFLON is a registered trademark of E.I. Du Pont De Nemours and Company.

3. Open the shutoff valve in the supply line. The valve is open when the handle is parallel to the gas pipe.



A. Closed valve  
B. Open valve

4. Test all connections by brushing on an approved noncorrosive leak-detection solution. Bubbles will show a leak. Correct any leak found.

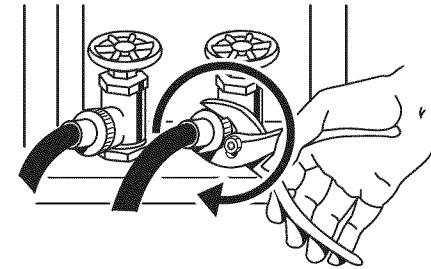
## Connect Vent

1. Using a 4" (10.2 cm) clamp, connect vent to exhaust outlet in dryer. If connecting to existing vent, make sure the vent is clean. The dryer vent must fit over the dryer exhaust outlet and inside the exhaust hood. Check that the vent is secured to exhaust hood with a 4" (10.2 cm) clamp.
2. Move dryer into its final location. Do not crush or kink vent.
3. Check that there are no kinks in the flexible gas line.
4. Once the exhaust vent connection is made, remove the corner posts and cardboard.

## Connect Inlet Hose

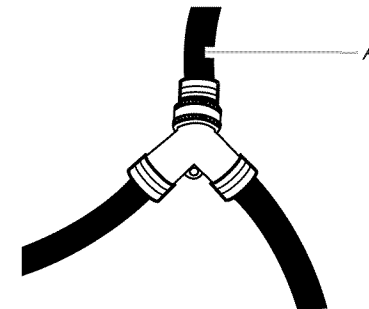
The dryer must be connected to the cold water faucet using the new inlet hoses. Do not use old hoses.

1. Turn cold water faucet off and remove washer inlet hose.
2. Remove old rubber washer from inlet hose and replace with new rubber washer provided. If space permits, attach the brass female end of the "Y" connector to the cold water faucet.  
**NOTE:** If "Y" connector can be attached directly to cold water faucet, go to Step 6. If "Y" connector cannot be attached directly to the cold water faucet, the short hose must be used. Continue with Step 3.
3. Attach short hose to cold water faucet. Screw on coupling by hand until it is seated on faucet.
4. Using pliers, tighten the couplings with an additional two-thirds turn.



**NOTE:** Do not overtighten. Damage to the coupling can result.

5. Attach "Y" connector to brass male end of small hose. Screw on coupling by hand until it is seated on connector.
6. Attach straight end of long hose to "Y" connector.
7. Attach washer cold inlet hose to other end of "Y" connector. Screw on coupling by hand until it is seated on connector.
8. Using pliers, tighten the couplings with an additional two-thirds turn.

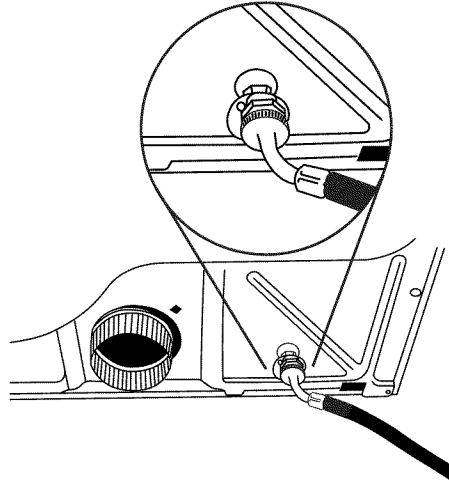


A. Inlet to cold water

**NOTE:** Do not overtighten. Damage to the coupling can result.

9. Attach angled end of long hose to fill valve at bottom of dryer back panel. Screw on coupling by hand until it is seated on fill valve connector.

10. Using pliers, tighten the coupling with an additional two-thirds turn.

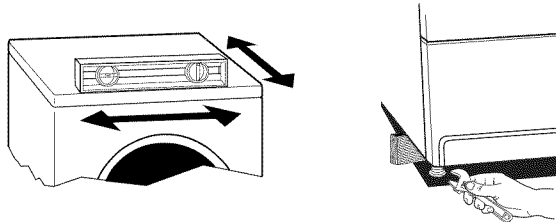


**NOTE:** Do not overtighten. Damage to the coupling can result.

11. Check that the water faucets are on.  
12. Check for leaks around “Y” connector, faucet and hoses.

## Level Dryer

Check the levelness of the dryer. Check levelness first side to side, then front to back.



If the dryer is not level, prop up the dryer using a wood block. Use a wrench to adjust the legs up or down and check again for levelness.

## Complete Installation

1. Check that all parts are now installed. If there is an extra part, go back through the steps to see which step was skipped.
2. Check that you have all of your tools.
3. Dispose of/recycle all packaging materials.
4. Check the dryer's final location. Be sure the vent is not crushed or kinked.
5. Check that the dryer is level. See “Level Dryer.”

## ⚠ WARNING



### Electrical Shock Hazard

- Plug into a grounded 3 prong outlet.**
- Do not remove ground prong.**
- Do not use an adapter.**
- Do not use an extension cord.**
- Failure to follow these instructions can result in death, fire, or electrical shock.**

6. Plug into a grounded 3 prong outlet. Turn on power.
7. Remove any protective film or tape remaining on the dryer.
8. Be sure the water faucets are on.
9. Check for leaks around “Y” connector, faucet and hoses.
10. Read “Dryer Use.”
11. Wipe the dryer drum interior thoroughly with a damp cloth to remove any dust.
12. Set the dryer on a full heat cycle (not an air cycle) for 20 minutes and start the dryer.

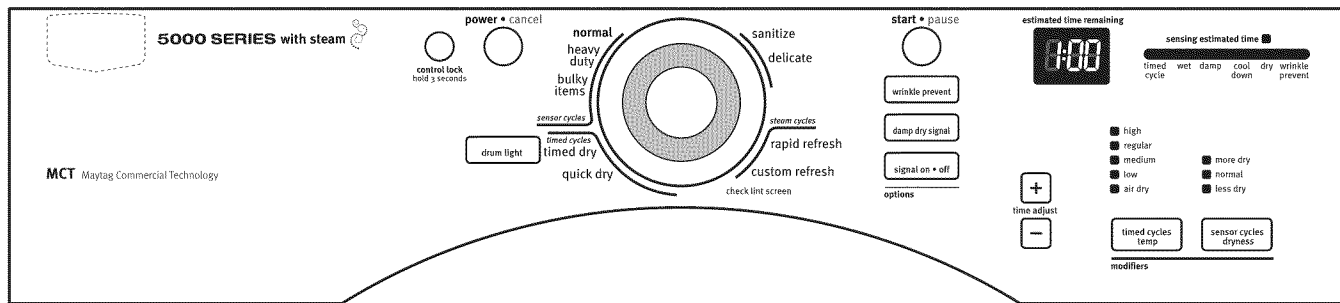
#### **If the dryer will not start, check the following:**

- Controls are set in a running or “On” position.
- Start button has been pushed firmly.
- Dryer is plugged into a grounded 3 prong outlet.
- Electrical supply is connected.
- Household fuse is intact and tight, or circuit breaker has not tripped.
- Dryer door is closed.
- This dryer automatically runs an installation diagnostic routine at the start of its first cycle.

**NOTE:** You may notice an odor when the dryer is first heated. This odor is common when the heating element is first used. The odor will go away.

13. When the dryer has been running for 5 minutes, open the dryer door and feel for heat. If you feel heat, cancel cycle and close door. If you do not feel heat, turn off the dryer and check that the gas supply line shutoff valve is open.
  - If the gas supply line shutoff valve is closed, open it, then repeat the 5-minute test as outlined above.
  - If the gas supply line shutoff valve is open, contact a qualified technician.
14. If you live in a hard water area, use of a water softener is recommended to control the buildup of scale through the water system in the dryer. Over time, the buildup of lime scale may clog different parts of the water system, which will reduce product performance. Excessive scale buildup may lead to the need for certain part replacement or repair.

# DRYER USE



## Starting Your Dryer

### ⚠ WARNING



#### Explosion Hazard

Keep flammable materials and vapors, such as gasoline, away from dryer.

Do not dry anything that has ever had anything flammable on it (even after washing).

Failure to follow these instructions can result in death, explosion, or fire.

### ⚠ WARNING



#### Fire Hazard

No washer can completely remove oil.

Do not dry anything that has ever had any type of oil on it (including cooking oils).

Items containing foam, rubber, or plastic must be dried on a clothesline or by using an Air Cycle.

Failure to follow these instructions can result in death or fire.

**WARNING:** To reduce the risk of fire, electric shock, or injury to persons, read the IMPORTANT SAFETY INSTRUCTIONS before operating this appliance.

This manual covers several different models. Your dryer may not have all of the cycles and features described.

The following is a guide to starting your dryer. Please refer to specific sections of this manual for more detailed information.

1. Clean lint screen before each load. See "Cleaning the Lint Screen."
2. Place laundry in dryer and shut door.
3. Press the POWER/CANCEL button then rotate the dial to select either a Sensor, Timed, or Steam Cycle. The preset settings and drying time for the cycle chosen will be displayed.

#### To use a Sensor Cycle

- Press the POWER/CANCEL button.
- Rotate the dial to select a Sensor Cycle.
- The default dryness setting is Normal in all Sensor Cycles. This dryness level will dry most loads adequately using the least amount of energy. You can select a different dryness level by pressing SENSOR CYCLES DRYNESS and choosing More Dry,

Normal, or Less Dry. Selecting More Dry, Normal, or Less Dry automatically adjusts the dryness level at which the dryer will shut off.

- more dry
- normal
- less dry

sensor cycles  
dryness

- Press the WRINKLE PREVENT feature button if this option is desired.
- Press the SIGNAL ON/OFF button to set the end of cycle signal.
- Press and hold START/PAUSE button until dryer starts (about 1 second).

The Wrinkle Prevent and Cycle Signal features can be adjusted during a Sensor Cycle. If you want to select another Sensor Cycle or Sensor Cycle Dryness, press START/PAUSE once to stop the dryer, make the desired changes, then press START/PAUSE to resume drying.

#### NOTES:

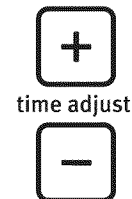
- A default time is displayed when a Sensor Cycle is selected. During the first few minutes of the drying process, the cycle time may automatically vary from the default time based on the size and fabric type of the load. Toward the end of the drying process, the estimated time display will adjust again, showing the final drying time.
- Time and Temperature are not adjustable for Sensor Cycles. Pressing the TIME ADJUST or TIMED CYCLES TEMP buttons will cause a triple beep, indicating that the time cannot be changed.
- A light next to each feature will glow yellow when the feature is selected. The light will not glow when the selection is unavailable with the cycle or option combinations selected.
- Sensor Cycles Dryness can be changed only with Sensor Cycles. This feature is not selectable for Timed, Steam, or Sanitize cycles.

#### How Sensor Cycles Work

The Sensi-Care™ drying system improves performance with Auto Moisture Sensing Plus, which advances the cycle as moisture is extracted from clothing. A thermistor (electronic temperature sensor) and moisture sensing strips in the dryer drum help measure the amount of moisture in the clothes as they tumble. An electronic control determines the load type to help save time, avoid overdrying, and increase the accuracy of the end dryness level. After the first 5 minutes of a Sensor cycle, the estimated time display will adjust based on the approximate load size, cycle, dryness level selected and amount of moisture left in the clothes. When the clothes have reached approximately 80% of the dryness level selected, the estimated time display will adjust again, showing the final drying time. Sensi-Care™ takes the guesswork out of drying time and enhances fabric care.

#### To use a Timed Cycle

- Press POWER/CANCEL.
- Rotate the dial to select a Timed Cycle.
- Press the TIME ADJUST up or down buttons until the desired drying time is displayed. Press TIME ADJUST, and the time will change by 1-minute intervals. Press and hold TIME ADJUST, and the time will change by 5-minute intervals. The initial time displayed is the actual drying time.



The Time Adjust feature can be used only with Timed Cycles.

- Press TIMED CYCLES TEMP until the desired temperature glows yellow.

- high
- regular
- medium
- low
- air dry

timed cycles  
temp

Temperature settings can be changed only with Timed Cycles.

- Press the WRINKLE PREVENT feature button if this option is desired.
- Press the SIGNAL ON/OFF button to set the end of cycle signal.
- Press and hold START/PAUSE button until dryer starts (about 1 second).

#### NOTES:

- Sensor Cycles Dryness is not adjustable for Timed, Steam, or Sanitize Cycles. Pressing the SENSOR CYCLE DRYNESS button will cause the triple beep indicating that this option is not selectable.
- A light next to each feature will glow yellow when the feature is selected. The light will not glow when the selection is unavailable with the cycle or option combinations selected.
- While a Timed Cycle is running, you can change the settings for Time, Temperature, the WRINKLE PREVENT feature and the cycle signals. Press the START/PAUSE button once to stop the dryer, allowing you to select another cycle.

## Air Dry

Use the Air Dry temperature for items that require drying without heat such as rubber, plastic and heat-sensitive fabrics. This chart shows examples of items that can be dried using Air Dry.

Type of Load	Time* (Minutes)
Foam rubber - pillows, padded bras, stuffed toys	20 - 30
Plastic - Shower curtains, tablecloths	20 - 30
Rubber-backed rugs	40 - 50
Olefin, polypropylene, sheer nylon	10 - 20

\*Reset time to complete drying, if needed.

### When using Air Dry

- Check that coverings are securely stitched.
- Shake and fluff pillows by hand periodically during the cycle.
- Dry item completely. Foam rubber pillows are slow to dry.

**NOTE:** Sensor Cycles are not available when using the Air Dry setting.

### To use a Steam Cycle

- Press the POWER/CANCEL button.
- Rotate the dial to select either the Rapid Refresh or Custom Refresh cycles.
- Press the TIME ADJUST up or down buttons until the desired drying time is displayed. Press TIME ADJUST, and the time will change by 1-minute intervals. Press and hold TIME ADJUST, and the time will change by 5-minute intervals. The initial time displayed is the actual drying time

**NOTE:** The Time Adjust buttons can be used only with Timed Cycles and the Custom Refresh Cycle.

- Press TIMED CYCLE TEMP until the desired temperature glows yellow.

**NOTE:** During the Custom Refresh Cycle, you can change the settings for Time, Temperature, the Wrinkle Prevent feature, and Signal On/Off. During the Rapid Refresh Cycle you can change the Wrinkle Prevent and Signal On/Off features. To change other settings, press START/PAUSE twice to stop the dryer and clear the settings. Select another cycle or option.

## Stopping Your Dryer

### To stop your dryer at any time

Press POWER/CANCEL once or open the door.

## Pausing or Restarting

### To pause the dryer at any time

Open the door or press START/PAUSE once.

### To restart the dryer

Close the door and press and hold START/PAUSE button until dryer starts.

**NOTE:** Drying will continue from where the cycle was interrupted, if you close the door and press START/PAUSE within 60 minutes. If the cycle is interrupted for more than 5 minutes, the dryer will shut off. Select new cycle settings before restarting the dryer.

## Control Lock

This feature allows you to lock your settings to avoid unintended use of the dryer. You can also use the Control Lock feature to avoid unintended cycle or option changes during dryer operation.

### To enable the Control Lock feature when dryer is running:

Press and hold the CONTROL LOCK button for 3 seconds. The control is locked when a single beep is heard and the Control Lock light is on.

- When the dryer is off, it is not necessary to press the POWER/CANCEL button before activating the Control Lock feature.

### To unlock:

Press and hold the CONTROL LOCK button for 3 seconds to turn this feature off.

**NOTE:** When the dryer is running and Control Lock is on, the dryer can be stopped by pressing the POWER/CANCEL or START/PAUSE buttons, but cannot be restarted until the control is unlocked.

## Drying and Cycle Tips

Select the correct cycle and dryness level or temperature for your load. If a Sensor Cycle is running, the display shows the estimated cycle time when your dryer is automatically sensing the dryness level of your load. If a Timed Cycle is running, the display shows the exact number of minutes remaining in the cycle.

Cool Down tumbles the load without heat during the last few minutes of all cycles. Cool Down makes the loads easier to handle and reduces wrinkling. The length of the Cool Down depends on the load size and dryness level.

### Drying tips

- Follow care label directions when they are available.
- If desired, add a fabric softener sheet. Follow package instructions.
- Remove the load from the dryer as soon as tumbling stops to reduce wrinkling. This is especially important for permanent press, knits and synthetic fabrics.
- Avoid drying heavy work clothes with lighter fabrics. This could cause overdrying of lighter fabrics, leading to increased shrinking or wrinkling.
- If you dry sheets in a mixed load or large items, rearrange the load when the signal sounds. This will aid in the drying process.

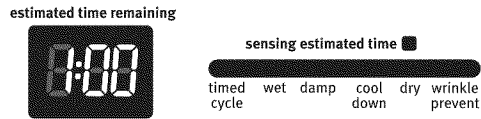
### Cycle tips

- Dry most loads using the preset cycle settings.
- Refer to the Sensor or Timed Preset Cycle Settings chart (in the "Cycles" section) for a guide to drying various loads.
  - Drying temperature and Sensor Cycles Dryness are preset when you choose a Sensor Cycle. You can choose a different dryness level, depending on your load by pressing the SENSOR CYCLES DRYNESS button to select More Dry, Normal, or Less Dry.
  - If you wish to adjust the cycle length of a Timed Cycle, you must press the TIME ADJUST up or down buttons. Adjust the temperature of a Timed Cycle by pressing TIMED CYCLES TEMP until the desired temperature is selected.

**NOTE:** You cannot choose a Sensor Cycles Dryness with Timed, Steam, or Sanitize Cycles.

## Status Indicator

You may follow the progress of your dryer with the drying Status indicator lights.



### Sensing Light

When a cycle is first turned on, the Sensing light glows until a wet item is detected.

- In a Sensor Cycle, if a wet item has not been detected within 10 minutes, the Sensing light will turn off and the dryer will shut down.
- In a Timed Cycle, if a wet item is not detected after 10 minutes, the Wet light turns on and the selected cycle continues.

### Timed Cycle

The Timed Cycle and Sensing light indicators will glow during the drying cycle of a timed cycle. After the drying time is complete, the dryer will go through a Cool Down cycle; during this time, the Cool Down indicator will glow. After Cool Down completes,

- If the WRINKLE PREVENT feature is selected, the Dry section of the indicator will glow. The Wrinkle Prevent indicator will flash and the load will intermittently tumble for 120 minutes.
- If the WRINKLE PREVENT feature is not selected, the clothing will stop tumbling and the Dry section of the indicator will glow.

### Wet

The Wet status light is illuminated whenever a wet item is detected in the dryer during a sensor cycle.

The Wet light will remain on until:

- The damp dry point is reached in a Sensor Cycle.
- The dryer enters the cool down period in a Timed Cycle.

### Damp

When the Damp status light glows, the load is about 80% dry. To be alerted when your load is approximately 80% dry, you may use the Damp Dry Signal option. See “Damp Dry Signal” in the “Optional Features” section.

**NOTE:** The Damp indicator does not glow during timed cycles.

### Cool Down

The Cool Down light glows during the cool down part of the cycle. Laundry is cooling down for ease in handling.

### Dry

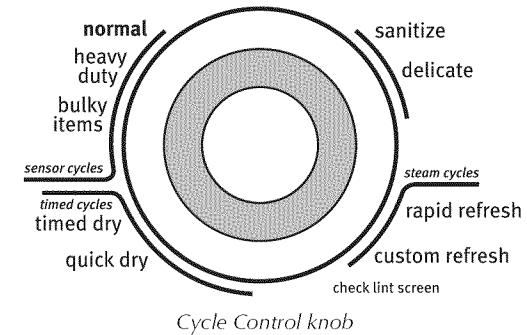
The Dry light illuminates when the drying cycle is finished. This indicator stays on during the WRINKLE PREVENT feature.

### Wrinkle Prevent Feature

The Wrinkle Prevent indicator light blinks when the Wrinkle Prevent option is selected and that part of the cycle is occurring. This cycle lasts for 120 minutes.

## Cycles

Select the drying cycle that matches the type of load you are drying. See Sensor Preset or Manual Preset Cycle Settings chart.



### Sensor Cycles

Sensor Cycles allow you to match the cycle to the load you are drying. See the following Sensor Cycle Settings chart. Each cycle dries certain fabrics at the recommended temperature. A sensor detects the moisture in the load and automatically adjusts the drying time for optimal drying.

### Sanitize

Use this cycle for items such as towels, bedding, children’s clothing or other items needing to be sanitized. This cycle is designed to eliminate 99.9% of 3 common infectious bacteria. This cycle should be run to completion to ensure sanitization. For best results, do not interrupt cycle.



NSF Protocol P154  
Sanitization Performance of  
Residential clothes Dryers

### Heavy Duty

Use this cycle to get High heat for heavyweight mixed loads, cotton towels or jeans.

### Normal

Use this cycle to get Regular heat for drying no-iron fabrics such as sport shirts, permanent press blends, work clothes, or sheets.

### Bulky Items

Use this cycle to get Regular heat for drying large items that require very long drying times such as jackets, comforters and pillows. Rearrange the load halfway through the dryer cycle; this will aid the drying process.

### Delicate

Use this cycle to get Medium heat to gently dry items such as washable knit fabrics or lingerie.

## Sensor Cycle Settings

Sensor Cycles Load Type	Temperature	Time* (Minutes)
<b>SANITIZE</b> Towels, bedding, children's clothing	High	60
<b>HEAVY DUTY</b> Heavyweight items, towels, jeans	High	50
<b>NORMAL</b> Permanent press blends, work clothes, sheets	Regular	40
<b>BULKY ITEMS</b> Jackets, comforters, pillows	Regular	55
<b>DELICATE</b> Lingerie, blouses, washable woolsens	Medium	30

\*Estimated Time with Sensor Cycles Dryness (Normal) setting. Time will vary depending on load type and load size.

## Timed Cycles

Use Timed Cycles to select a specific amount of drying time and a drying temperature. When a Timed Cycle is selected, the Estimated Time Remaining display shows the actual time remaining in your cycle. You can change the actual time in the cycle by pressing the TIME ADJUST up or down buttons.

### Timed Dry

Use this cycle to complete drying if items are still damp after a Sensor Cycle. Timed Dry is also useful for drying heavyweight and bulky items such as bedspreads and work clothes. Lightweight garments, such as exercise wear, can be dried using Timed Dry on a Low temperature setting.

### Quick Dry

Use this cycle for drying small loads or loads that need a short drying time.

## Manual Preset Cycle Settings

Timed Cycles Load Type	Temperature	Time (Minutes)
<b>TIMED DRY</b> Heavyweight items, bulky items, bedspreads, work clothes	High	40
<b>QUICK DRY</b> Small loads	High	25

## Steam Cycles

In these cycles, a small amount of water is sprayed into the dryer drum after several minutes of tumbling with heat. The dryer will continue to tumble at Regular heat for the duration of the cycle. The Steam cycles include Rapid Refresh and Custom Refresh. The heat setting and cycle time are not adjustable for the Rapid Refresh cycle, but can be adjusted for the Custom Refresh cycle.

**NOTE:** Results may vary depending on fabric. 100% cotton garments with wrinkle-free finish may yield better results than those without.

Use of a fabric softener sheet is not recommended with steam cycles as it may cause temporary staining on the clothes.

### Rapid Refresh

This cycle is best for smoothing out wrinkles and reducing odors from loads consisting of one to four dry items of wrinkle-free cotton, cotton-polyester blend, common knits and synthetic garments.

### Custom Refresh

This cycle uses water and heat to help smooth out wrinkles from items such as clothes packed in a suitcase or wrinkled from being left in the dryer too long.

## Steam Preset Cycle Settings

Timed Cycles Load Type	Default Temperature*	Default Time (Minutes)*
<b>RAPID REFRESH</b> Helps to smooth out wrinkles and reduce odors from loads consisting of one to four dry items.	Regular	15
<b>CUSTOM REFRESH</b> Helps to smooth out wrinkles in loads left in the dryer for an extended period.	Regular	20

\***NOTE:** The Custom Refresh cycle has a minimum dry time of 15 minutes and a maximum dry time of 40 minutes. Only the Regular and High temperature settings can be used for the Custom Refresh cycle.

## Optional Features

### Drum Light

Select Drum Light to turn on the light inside the dryer drum. During a cycle, if DRUM LIGHT is selected, the drum light turns on and will remain on until DRUM LIGHT is pressed again, the door is open and closed, or the door is left open for 20 minutes.

drum light

When the dryer is not running, the drum light will turn on when DRUM LIGHT is pressed or the dryer door is opened, and it will remain on until the dryer door has been open for 20 minutes, the dryer door is closed or DRUM LIGHT is pressed again.

Press DRUM LIGHT at any time to turn the drum light ON or OFF.

### WRINKLE PREVENT Feature

When you are unable to remove a load of clothes from the dryer as soon as it stops, wrinkles can form. The WRINKLE PREVENT feature periodically tumbles, rearranges and fluffs the load to help keep wrinkles from forming.

wrinkle prevent

- Press the WRINKLE PREVENT feature to get up to 120 minutes of heat-free, periodic tumbling at the end of a cycle.
- Stop at any time by pressing the WRINKLE PREVENT feature or opening the dryer door.
- Other cycles will retain the WRINKLE PREVENT feature setting. (For example, if you select the WRINKLE PREVENT feature in the Normal cycle, the WRINKLE PREVENT feature will be on the next time you select the Normal cycle.)

**NOTE:** If you do not select the WRINKLE PREVENT feature, the dryer stops after the cool down period.

### Damp Dry Signal

The Damp Dry Signal may be selected to alert you that your clothes are approximately 80% dry. This is useful when you want to remove lightweight items in a mixed load to avoid overdrying or remove partially dry items that may need ironing.

The DAMP DRY SIGNAL is useful when drying bedsheets/linens in a mixed load. When the signal goes off, open the door to stop the dryer, rearrange the load inside the dryer, close the door and restart the dryer to finish the drying cycle. Rearranging the load will aid in the drying process.

damp dry signal

Press DAMP DRY SIGNAL to turn the alarm on or off.

**NOTE:** The Damp Dry Signal works only with Sensor Cycles. It is not selectable for the Sanitize cycle.

### Signal On/Off

When on, this feature produces an audible sound when the drying cycle is finished. Promptly removing clothes at the end of the cycle reduces wrinkling.

signal on • off

Press SIGNAL ON/OFF. The light on the control will glow yellow when the Cycle Signal is on.

**NOTE:** When the WRINKLE PREVENT feature is selected and the End of Cycle Signal is on, an audible sound will be emitted every 5 minutes until the clothes are removed, or the WRINKLE PREVENT feature is finished.

## Changing Cycles, Options and Modifiers

You can change Sensor Cycles, Timed Cycles, Modifiers and Options anytime before pressing START/PAUSE.

**NOTE:** Three short tones sound if an unavailable combination is selected. The last selection will not be accepted.

### Changing Cycles after pressing START/PAUSE

1. Press START/PAUSE once. This pauses the current cycle.
2. Select the desired cycle and options.
3. Press and hold START/PAUSE. The dryer starts at the beginning of the new cycle.

**NOTE:** If you do not press START/PAUSE within 5 minutes of selecting the cycle, the dryer automatically shuts off.

### Changing Modifiers and Options after pressing Start

You can change a Modifier or Option anytime before the selected Modifier or Option begins.

1. Press START/PAUSE once.
2. Select the new Modifier and/or Option.
3. Press and hold START/PAUSE to continue the cycle.

### Changing the Preset Sensor Cycles Dryness Settings

If all your loads on all Sensor cycles are consistently not as dry as you would like, you may change the preset Sensor Cycles Dryness settings to increase the dryness. This change will affect all of your Sensor cycles.

Your Sensor Cycles Dryness settings can be adjusted to adapt to different installations, environmental conditions or personal preference. There are 3 drying settings: 1 (factory preset dryness level), 2 (slightly dryer clothes, approximately 15% more drying time) and 3 (much dryer clothes, approximately 30% more drying time).

1. The Sensor Cycles Dryness settings cannot be changed while the dryer is running.
2. Press and hold the Sensor Cycles Dryness button for 5 seconds. The dryer will beep, and "CF" will be displayed on the Estimated Time Remaining screen for 1 second followed by the current drying setting.
3. To select a new drying setting, press the Sensor Cycles Dryness key again until the desired drying setting is shown.

**NOTE:** While cycling through the settings, the current setting will not flash, but the other settings will flash.

4. Press START/PAUSE to save the drying setting.
5. The drying setting you selected will become your new preset drying setting for all Sensor cycles.

## Drying Rack Option

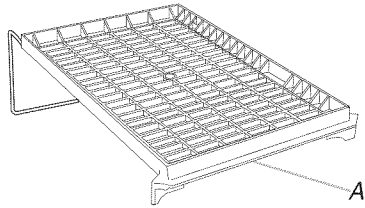
The drying rack is useful for drying items you would not necessarily want to tumble dry or that you would normally line dry (for example, sweaters).

If your model does not have a drying rack, you may be able to purchase one for your model. To find out whether your model allows drying rack usage and for information on ordering, please refer to the front page of the manual or contact the dealer from whom you purchased your dryer.

### To use the drying rack

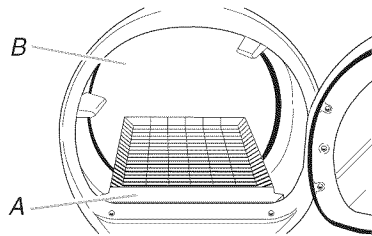
Do not remove the lint screen.

1. Open dryer door.



A. Front edge

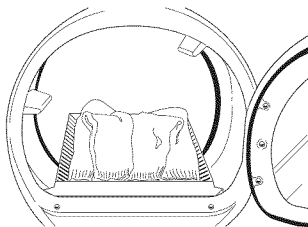
2. Place drying rack inside dryer drum, positioning the back wire on the ledge of the inner dryer back panel. Push down on front edge of drying rack to secure over the lint screen.



A. Dryer rack front edge  
B. Dryer back panel

3. Put the wet items on top of the drying rack. Leave space between the items so air can reach all the surfaces.

**NOTE:** Do not allow items to hang over the edge of the drying rack.



4. Close the door.
5. Select a timed drying cycle and temperature (see following chart). Items containing foam, rubber, or plastic must be dried on a clothesline or by using the Air Dry temperature setting.
6. You must select a time by pressing the TIME ADJUST up or down buttons. Reset time as needed to complete drying. Refer to the following table.
7. Press and hold START/PAUSE button (about 1 second).

**NOTE:** Check the lint screen and remove any lint accumulated from items dried on the drying rack.

This chart shows examples of items that can be rack dried and the suggested cycle, temperature setting and drying time. Actual drying time will depend on the amount of moisture items hold.

Rack Dry	Setting	Temp.	Time* (Minutes)
<b>Wool Sweaters</b> Block to shape and lay flat on the drying rack.	Timed Dry	Low	60
<b>Stuffed toys or pillows</b> Cotton or polyester fiber filled	Timed Dry	Low	60
<b>Stuffed toys or pillows</b> Foam rubber filled	Timed Dry	Air Only (no heat)	90
<b>Sneakers or canvas shoes</b>	Timed Dry	Air Only (no heat)	90

\*(Reset time to complete drying, if needed.)


**NOTE:** You must remove drying rack for normal tumbling. Do not use Sensor cycles with the drying rack.

# DRYER CARE

## Cleaning the Dryer Location

Keep dryer area clear and free from items that would obstruct the flow of combustion and ventilation air.

**⚠ WARNING**



**Explosion Hazard**

Keep flammable materials and vapors, such as gasoline, away from dryer.

Place dryer at least 18 inches (46 cm) above the floor for a garage installation.

Failure to do so can result in death, explosion, or fire.

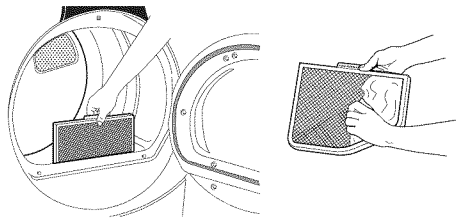
## Cleaning the Lint Screen

### Every load cleaning

The lint screen is located in the door opening of the dryer. A screen blocked by lint can increase drying time. Clean the lint screen before each load.

### To clean

1. Pull the lint screen straight up. Roll lint off the screen with your fingers. Do not rinse or wash screen to remove lint. Wet lint is hard to remove.



2. Push the lint screen firmly back into place.

### IMPORTANT:

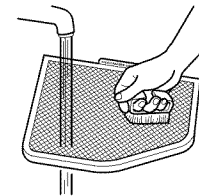
- Do not run the dryer with the lint screen loose, damaged, blocked, or missing. Doing so can cause overheating and damage to both the dryer and fabrics.
- If lint falls off the screen into the dryer during removal, check the exhaust hood and remove the lint. See "Venting Requirements."

### As needed cleaning

Laundry detergent and fabric softener residue can build up on the lint screen. This buildup can cause longer drying times for your clothes, or cause the dryer to stop before your load is completely dry. The screen is probably clogged if lint falls off while the screen is in the dryer. Clean the lint screen with a nylon brush every 6 months, or more frequently, if it becomes clogged due to a residue buildup.

### To wash

1. Roll lint off the screen with your fingers.
2. Wet both sides of lint screen with hot water.
3. Wet a nylon brush with hot water and liquid detergent. Scrub lint screen with the brush to remove residue buildup.



4. Rinse screen with hot water.
5. Thoroughly dry lint screen with a clean towel. Replace screen in dryer.

## Cleaning the Dryer Interior

### To clean dryer drum

1. Make a paste with powdered laundry detergent and very warm water.
2. Apply paste to a soft cloth.

### OR

Apply a liquid, nonflammable household cleaner to the stained area and rub with a soft cloth until all excess dye and stains are removed.

3. Wipe drum thoroughly with a damp cloth.
4. Tumble a load of clean cloths or towels to dry drum.

**NOTE:** Garments that contain unstable dyes, such as denim blue jeans or brightly colored cotton items, may discolor the dryer interior. These stains are not harmful to your dryer and will not stain future loads of clothes. Dry unstable dye items inside out to avoid transfer of dye.

## Removing Accumulated Lint

### From Inside the Dryer Cabinet

Lint should be removed every 2 years, or more often, depending on dryer usage. Cleaning should be done by a qualified person.

---

## From the Exhaust Vent

Lint should be removed every 2 years, or more often, depending on dryer usage.

---

## Water Inlet Hoses

Replace inlet hoses and hose screen after 5 years of use to reduce the risk of hose failure. Periodically inspect and replace inlet hoses if bulges, kinks, cuts, wear or leaks are found. When replacing your inlet hoses, record the date of replacement.

---

## Vacation, Storage and Moving Care

Install and store your dryer where it will not freeze. Because some water may stay in the hoses, freezing can damage your dryer. If storing or moving your dryer during freezing weather, winterize it.

---

### Non-Use or Vacation Care

Operate your dryer only when you are at home. If you will be on vacation or not using your dryer for an extended period of time, you should:

1. Unplug dryer or disconnect power.
  2. Close shutoff valve in gas supply line.
  3. Clean lint screen. See “Cleaning the Lint Screen.”
  4. Turn off the water supply to the dryer. This helps to avoid unintended flooding (due to a water pressure surge) while you are away.
- 

### To winterize dryer

1. Unplug dryer or disconnect power.
  2. Close shutoff valve in gas supply line.
  3. Shut off water faucet.
  4. Disconnect water inlet hose from faucet and drain.
- 

### To use dryer again

1. Flush water pipes. Reconnect water inlet hose to faucet. Turn on water faucet.
  2. Plug in dryer or reconnect power.
  3. Open shutoff valve in gas supply line.
- 

---

## Moving care

---

### For power supply cord-connected dryers:

1. Unplug the power supply cord.
  2. Close shutoff valve in gas supply line.
  3. Disconnect gas supply line pipe and remove fittings attached to dryer pipe.
  4. Cap the open fuel supply line.
  5. Shut off water faucet.
  6. Disconnect the water inlet hose from faucet, then drain the hose. Transport hose separately.
  7. Make sure leveling legs are secure in dryer base.
  8. Use masking tape to secure dryer door.
- 

### Reinstalling the dryer

Follow the “Installation Instructions” to locate, level and connect the dryer.

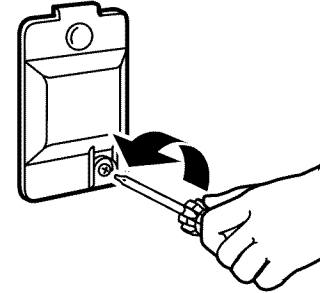
---

## Changing the Drum Light

The dryer light automatically turns on inside the dryer drum when you open the door.

### To change the drum light

1. Unplug dryer or disconnect power.
2. Open the dryer door. Locate the light bulb cover on the back wall of the dryer. Remove the screw located in the lower right corner of the cover. Remove the cover.



3. Turn bulb counterclockwise. Replace the bulb with a 10-watt appliance bulb only. Replace the cover and secure with the screw.
  4. Plug in dryer or reconnect power.
-

# TROUBLESHOOTING

First try the solutions suggested here or visit our website and reference FAQs (Frequently Asked Questions) to possibly avoid the cost of a service call...  
In U.S.A. <http://maytag.custhelp.com> - In Canada [www.maytag.ca](http://www.maytag.ca)

## Dryer Operation

### Dryer will not run

- **Has a household fuse blown, or has a circuit breaker tripped?**  
Replace the fuse or reset the circuit breaker. If the problem continues, call an electrician.
- **Is the correct power supply available?**  
Electric dryers require 240-volt power supply. Check with a qualified electrician.
- **Was a regular fuse used?**  
Use a time-delay fuse.
- **Is the dryer door firmly closed?**
- **Was the Start button firmly pressed?**  
Large loads may require pressing and holding the Start button for 2-5 seconds.

### No heat

- **Has a household fuse blown, or has a circuit breaker tripped?**  
The drum may be turning, but you may not have heat. Replace the fuse or reset the circuit breaker. If the problem continues, call an electrician.
- **Is the valve open on the gas supply line?**

### Unusual sounds

- **Has the dryer had a period of non-use?**  
If the dryer hasn't been used for a while, there may be a thumping sound during the first few minutes of operation.
- **Is a coin, button, or paper clip caught between the drum and front or rear of the dryer?**  
Check the front and rear edges of the drum for small objects. Clean out pockets before laundering.
- **Is it a gas dryer?**  
The gas valve clicking is a normal operating sound.
- **Are the four legs installed, and is the dryer level front to back and side to side?**  
The dryer may vibrate if not properly installed. See the Installation Instructions.
- **Is the clothing knotted or balled up?**  
When balled up, the load will bounce, causing the dryer to vibrate. Separate the load items and restart the dryer.

### Dryer displaying code message

- **"PF" (power failure), check the following:**  
Was the drying cycle interrupted by a power failure? Depending on the length of the power outage, you may be able to resume the cycle by simply pressing and holding START/PAUSE; otherwise, press POWER/CANCEL and then start a new cycle.
- **"E" Variable (E1, E2, E3) service codes:**  
Call for service.

## Dryer Results

**Clothes are not drying satisfactorily, drying times are too long, or load is too hot**

- **Is the lint screen clogged with lint?**  
Lint screen should be cleaned before each load.

**⚠ WARNING**




**Fire Hazard**

Use a heavy metal vent.  
Do not use a plastic vent.  
Do not use a metal foil vent.

**Failure to follow these instructions can result in death or fire.**

- **Is the exhaust vent or outside exhaust hood clogged with lint, restricting air movement?**  
Run the dryer for 5-10 minutes. Hold your hand under the outside exhaust hood to check air movement. If you do not feel air movement, clean exhaust system of lint or replace exhaust vent with heavy metal or flexible metal vent. See the Installation Instructions.
- **Are fabric softener sheets blocking the grille?**  
Use only one fabric softener sheet, and use it only once.
- **Is the exhaust vent the correct length?**  
Check that the exhaust vent is not too long or has too many turns. Long venting will increase drying times. See the Installation Instructions.
- **Is the exhaust vent diameter the correct size?**  
Use 4" (10.2 cm) diameter vent material.

**⚠ WARNING**



**Explosion Hazard**

Keep flammable materials and vapors, such as gasoline, away from dryer.

Place dryer at least 18 inches (46 cm) above the floor for a garage installation.

**Failure to do so can result in death, explosion, or fire.**

- **Is the dryer located in a room with temperature below 45°F (7°C)?**  
Proper operation of dryer cycles requires temperatures above 45°F (7°C).
- **Is the dryer located in a closet?**  
Closet doors must have ventilation openings at the top and bottom of the door. The front of the dryer requires a minimum of 1" (2.5 cm) of airspace, and, for most installations, the rear of the dryer requires 5" (12.7 cm). See the Installation Instructions.
- **Was the Air Dry temperature setting selected?**  
Select the right temperature for the types of garments being dried. See "Optional Features."
- **Is the load too large and heavy to dry quickly?**  
Separate the load to tumble freely.

---

## Cycle time too short

---

### **WARNING**

#### **Excessive Weight Hazard**

**Use two or more people to move and install dryer.**

**Failure to do so can result in back or other injury.**

- **Is the Sensor cycle ending early?**  
The load may not be contacting the sensor strips. Level the dryer.  
Change the dryness level setting on Sensor Cycles. Increasing or decreasing the dryness level will change the amount of drying time in a cycle.

---

## Lint on load

---

- **Is the lint screen clogged?**  
Clean lint screen. Check for air movement.

---

## Stains on load or drum

---

- **Was dryer fabric softener properly used?**  
Add dryer fabric softener sheets at the beginning of the cycle. Fabric softener sheets added to a partially dried load can stain your garments.  
Drum stains are caused by dyes in clothing (usually blue jeans). This will not transfer to other clothing.

---

## Loads are wrinkled

---

- **Was the load removed from dryer at the end of the cycle?**  
Select the Custom Refresh Cycle to tumble the load with water and heat to help smooth out wrinkles from a load left in the dryer.
- **Was the dryer overloaded?**  
Dry smaller loads that can tumble freely.

---

## Odors

---

- **Have you recently been painting, staining or varnishing in the area where your dryer is located?**  
If so, ventilate the area. When the odors or fumes are gone from the area, rewash and dry the clothing.
- **Is the dryer being used for the first time?**  
The new heating element may have an odor. The odor will be gone after the first cycle.

# ASSISTANCE OR SERVICE

Before calling for assistance or service, please check "Troubleshooting." It may save you the cost of a service call. If you still need help, follow the instructions below.

When calling, please know the purchase date and the complete model and serial number of your appliance. This information will help us to better respond to your request.

## If you need replacement parts

If you need to order replacement parts, we recommend that you use only factory specified parts. Factory specified parts will fit right and work right because they are made with the same precision used to build every new MAYTAG® appliance.

To locate factory specified parts in your area, call the following customer assistance telephone number or your nearest designated service center.

## In the U.S.A.

Call Maytag Services, LLC Customer Assistance toll free: **1-800-688-9900**, or visit our website at **www.maytag.com**

### Our consultants provide assistance with:

- Features and specifications on our full line of appliances.
- Installation information.
- Use and maintenance procedures.
- Accessory and repair parts sales.
- Specialized customer assistance (Spanish speaking, hearing impaired, limited vision, etc.).
- Referrals to local dealers, repair parts distributors and service companies. Maytag® appliances designated service technicians are trained to fulfill the product warranty and provide after-warranty service, anywhere in the United States.

To locate the Maytag® appliances designated service company in your area, you can also look in your telephone directory Yellow Pages.

## For further assistance

If you need further assistance, you can write to Maytag® appliances with any questions or concerns at:

Maytag Services, LLC  
ATTN: CAIR® Center  
P.O. Box 2370  
Cleveland, TN 37320-2370

Please include

a daytime phone number in your correspondence.

## In Canada

Call the Whirlpool Canada LP, Customer Assistance toll free: **1-800-807-6777**.

### Our consultants provide assistance with:

- Features and specifications on our full line of appliances.
- Use and maintenance procedures.
- Accessory and repair parts sales.
- Referrals to local dealers, repair parts distributors and service companies. Maytag® appliances designated service technicians are trained to fulfill the product warranty and provide after-warranty service, anywhere in Canada.

## For further assistance

If you need further assistance, you can write to Whirlpool Canada LP with any questions or concerns at:

Whirlpool Canada LP  
Customer Interaction Centre  
1901 Minnesota Court  
Mississauga, Ontario L5N 3A7

Please include a daytime phone number in your correspondence.

# MAYTAG® MAJOR APPLIANCE WARRANTY

## LIMITED WARRANTY

For one year from the date of purchase, when this major appliance is operated and maintained according to instructions attached to or furnished with the product, Maytag brand of Whirlpool Corporation or Whirlpool Canada LP (hereafter "Maytag") will pay for factory specified parts and repair labor to correct defects in materials or workmanship. Service must be provided by a Maytag designated service company. This limited warranty is valid only in the United States or Canada and applies only when the major appliance is used in the country in which it was purchased. Outside the 50 United States and Canada, this limited warranty does not apply. Proof of original purchase date is required to obtain service under this limited warranty.

## ITEMS EXCLUDED FROM WARRANTY

### This limited warranty does not cover:

1. Service calls to correct the installation of your major appliance, to instruct you on how to use your major appliance, to replace or repair house fuses, or to correct house wiring or plumbing.
2. Service calls to repair or replace appliance light bulbs, air filters or water filters. Consumable parts are excluded from warranty coverage.
3. Repairs when your major appliance is used for other than normal, single-family household use or when it is used in a manner that is contrary to published user or operator instructions and/or installation instructions.
4. Damage resulting from accident, alteration, misuse, abuse, fire, flood, acts of God, improper installation, installation not in accordance with electrical or plumbing codes, or use of consumables or cleaning products not approved by Maytag.
5. Cosmetic damage, including scratches, dents, chips or other damage to the finish of your major appliance, unless such damage results from defects in materials or workmanship and is reported to Maytag within 30 days from the date of purchase.
6. Any food loss due to refrigerator or freezer product failures.
7. Costs associated with the removal from your home of your major appliance for repairs. This major appliance is designed to be repaired in the home and only in-home service is covered by this warranty.
8. Repairs to parts or systems resulting from unauthorized modifications made to the appliance.
9. Expenses for travel and transportation for product service if your major appliance is located in a remote area where service by an authorized Maytag servicer is not available.
10. The removal and reinstallation of your major appliance if it is installed in an inaccessible location or is not installed in accordance with published installation instructions.
11. Major appliances with original model/serial numbers that have been removed, altered or cannot be easily determined. This warranty is void if the factory applied serial number has been altered or removed from your major appliance.

The cost of repair or replacement under these excluded circumstances shall be borne by the customer.

## DISCLAIMER OF IMPLIED WARRANTIES; LIMITATION OF REMEDIES

CUSTOMER'S SOLE AND EXCLUSIVE REMEDY UNDER THIS LIMITED WARRANTY SHALL BE PRODUCT REPAIR AS PROVIDED HEREIN. IMPLIED WARRANTIES, INCLUDING WARRANTIES OF MERCHANTABILITY OR FITNESS FOR A PARTICULAR PURPOSE, ARE LIMITED TO ONE YEAR OR THE SHORTEST PERIOD ALLOWED BY LAW. MAYTAG SHALL NOT BE LIABLE FOR INCIDENTAL OR CONSEQUENTIAL DAMAGES. SOME STATES AND PROVINCES DO NOT ALLOW THE EXCLUSION OR LIMITATION OF INCIDENTAL OR CONSEQUENTIAL DAMAGES, OR LIMITATIONS ON THE DURATION OF IMPLIED WARRANTIES OF MERCHANTABILITY OR FITNESS, SO THESE EXCLUSIONS OR LIMITATIONS MAY NOT APPLY TO YOU. THIS WARRANTY GIVES YOU SPECIFIC LEGAL RIGHTS, AND YOU MAY ALSO HAVE OTHER RIGHTS WHICH VARY FROM STATE TO STATE OR PROVINCE TO PROVINCE.

If outside the 50 United States and Canada, contact your authorized Maytag dealer to determine if another warranty applies.

If you need service, first see the "Troubleshooting" section of the Use & Care Guide. After checking "Troubleshooting," you may find additional help by checking the "Assistance or Service" section or by calling Maytag. In the U.S.A., call **1-800-688-9900**. In Canada, call **1-800-807-6777**.

9/07

**Keep this book and your sales slip together for future reference. You must provide proof of purchase or installation date for in-warranty service.**

Write down the following information about your major appliance to better help you obtain assistance or service if you ever need it. You will need to know your complete model number and serial number. You can find this information on the model and serial number label located on the product.

Dealer name \_\_\_\_\_

Address \_\_\_\_\_

Phone number \_\_\_\_\_

Model number \_\_\_\_\_

Serial number \_\_\_\_\_

Purchase date \_\_\_\_\_

ENGLISH

# SÉCURITÉ DE LA SÈCHEUSE

## Votre sécurité et celle des autres est très importante.

Nous donnons de nombreux messages de sécurité importants dans ce manuel et sur votre appareil ménager. Assurez-vous de toujours lire tous les messages de sécurité et de vous y conformer.



Voici le symbole d'alerte de sécurité.

Ce symbole d'alerte de sécurité vous signale les dangers potentiels de décès et de blessures graves à vous et à d'autres.

Tous les messages de sécurité suivront le symbole d'alerte de sécurité et le mot "DANGER" ou "AVERTISSEMENT". Ces mots signifient :

**⚠ DANGER**

Risque possible de décès ou de blessure grave si vous ne suivez pas immédiatement les instructions.

**⚠ AVERTISSEMENT**

Risque possible de décès ou de blessure grave si vous ne suivez pas les instructions.

Tous les messages de sécurité vous diront quel est le danger potentiel et vous disent comment réduire le risque de blessure et ce qui peut se produire en cas de non-respect des instructions.

**AVERTISSEMENT : Pour votre sécurité, les renseignements dans ce manuel doivent être observés pour réduire au minimum les risques d'incendie ou d'explosion ou pour éviter des dommages au produit, des blessures ou un décès.**

- Ne pas entreposer ou utiliser de l'essence ou d'autres vapeurs ou liquides inflammables à proximité de cet appareil ou de tout autre appareil électroménager.
- QUE FAIRE DANS LE CAS D'UNE ODEUR DE GAZ :
  - Ne pas tenter d'allumer un appareil.
  - Ne pas toucher à un commutateur électrique; ne pas utiliser le téléphone se trouvant sur les lieux.
  - Évacuer tous les gens de la pièce, de l'édifice ou du quartier.
  - Appeler immédiatement le fournisseur de gaz d'un téléphone voisin. Suivre ses instructions.
  - À défaut de joindre votre fournisseur de gaz, appeler les pompiers.
- L'installation et l'entretien doivent être effectués par un installateur qualifié, une agence de service ou le fournisseur de gaz.

**AVERTISSEMENT :** L'odorat ne permet pas toujours la détection d'une fuite de gaz.

Les distributeurs de gaz recommandent l'emploi d'un détecteur de gaz (homologation UL ou CSA).

Pour d'autre information, contacter le fournisseur de gaz local.

En cas de détection d'une fuite de gaz, exécuter les instructions "Que faire dans le cas d'une odeur de gaz".

### IMPORTANTES INSTRUCTIONS DE SÉCURITÉ

**AVERTISSEMENT :** Pour réduire le risque d'incendie, de choc électrique ou de blessure lors de l'utilisation de la sècheuse, il convient d'observer certaines précautions élémentaires dont les suivantes :

- Lire toutes les instructions avant d'utiliser la sècheuse.
- Ne pas placer des articles exposés aux huiles de cuisson dans votre sècheuse. Les articles contaminés par des huiles de cuisson peuvent contribuer à une réaction chimique qui pourrait causer à la charge de s'enflammer.
- Ne pas faire sécher dans la machine des articles qui ont déjà été nettoyés, lavés, imbibés, ou tachés d'essence, de solvants pour nettoyage à sec, d'autres substances inflammables, ou de substances explosives puisqu'elles dégagent des vapeurs qui peuvent provoquer un incendie ou une explosion.
- Ne pas permettre à des enfants de jouer sur ou à l'intérieur de la sècheuse. Une surveillance étroite est nécessaire lorsque la sècheuse est utilisée près d'eux.
- Avant d'enlever la sècheuse du service ou la jeter, enlever la porte du compartiment de séchage.
- Ne pas mettre la main dans la sècheuse si le tambour est en mouvement.
- Ne pas installer ni entreposer la sècheuse où elle sera exposée aux intempéries.
- Ne pas jouer avec les commandes.
- Ne pas réparer ni remplacer une pièce de la sècheuse ou essayer d'en faire l'entretien à moins d'une recommandation spécifique dans le guide d'utilisation et d'entretien, ou publiée dans les instructions de réparation par l'utilisateur que vous comprenez et pouvez exécuter avec compétence.
- Ne pas utiliser un produit assouplissant de tissu ou des produits pour éliminer la statique à moins qu'ils ne soient recommandés par le fabricant du produit assouplissant de tissu ou du produit.
- Ne pas utiliser la chaleur pour faire sécher des articles fabriqués avec du caoutchouc mousse ou des matériaux semblables.
- Nettoyer le filtre à charpie avant et après chaque charge.
- Ne pas laisser la charpie, la poussière, ou la saleté s'accumuler autour du système d'évacuation ou autour de l'appareil.
- Un nettoyage périodique de l'intérieur de la sècheuse et du conduit d'évacuation doit être effectué par une personne qualifiée.
- Voir les instructions d'installation pour les exigences de liaison de l'appareil à la terre.

**CONSERVEZ CES INSTRUCTIONS**

**IMPORTANT :** L'installation du gaz doit se conformer aux codes locaux, ou en l'absence de codes locaux, au code canadien d'installation B149.1 du gaz naturel ou du propane.

La sècheuse doit être électriquement reliée à la terre conformément aux codes locaux, ou en l'absence de codes locaux, au Code canadien de l'électricité, CSA C22.1.

# INSTRUCTIONS D'INSTALLATION

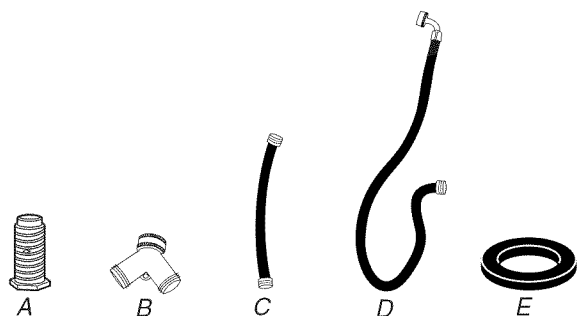
## Outillage et pièces

Rassembler les outils et pièces nécessaires avant de commencer l'installation. Lire et suivre les instructions fournies avec les outils indiqués ici.

- Clé à tuyau de 8" ou 10"
- Clé à molette de 8" ou 10" (pour le raccordement au gaz)
- Tournevis à lame plate
- Clé à molette avec ouverture jusqu'à 1" (2,5 cm) ou clé à douille hexagonale (pour ajuster les pieds de la sècheuse)
- Tourne-écrou ou clé à douille de 1/4" (recommandé)
- Niveau
- Couteau
- Brides d'évacuation
- Composé d'étanchéité des raccords filetés – résistant au propane
- Pistolet à calfeutrage et composé de calfeutrage (pour l'installation d'un nouveau conduit d'évacuation)
- Pince
- Mètre ruban

## Pièces fournies

Retirer les sachets de pièces du tambour de la sècheuse. Vérifier que toutes les pièces de la liste sont présentes.



- A. pieds de nivellement (4)
- B. "Connecteur en "Y"
- C. Tuyau court d'arrivée d'eau
- D. Tuyau d'arrivée d'eau avec raccord à angle droit
- E. Rondelle en caoutchouc

**REMARQUE :** Ne pas utiliser les pieds de nivellement si la sècheuse doit être installée sur un piédestal.

## Pièces nécessaires

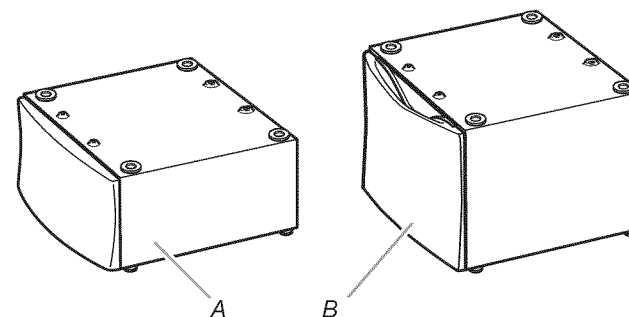
Consulter les codes locaux. Vérifier l'alimentation électrique et le circuit d'évacuation existants. Voir "Spécifications électriques" et "Exigences concernant l'évacuation" avant d'acheter les pièces.

Les installations pour maison mobile nécessitent un système d'évacuation en métal disponible à l'achat chez le marchand chez qui vous avez acheté votre sècheuse. Pour plus de renseignements, veuillez consulter la section "Assistance ou service".

## Piédestal facultatif

Installerez-vous la sècheuse sur un piédestal? Vous pouvez acheter séparément des piédestaux de différentes tailles pour cette sècheuse. Vous pouvez choisir un piédestal de 10" (25,4 cm) ou un piédestal de 15,5" (39,4 cm) avec tiroir de remisage. Le piédestal augmentera la hauteur totale de la sècheuse pour une hauteur totale d'environ 48" (121,9 cm) ou 53,5" (135,9 cm), respectivement.

Pour l'installation dans un garage, vous devrez placer le piédestal de 10" (25,4 cm) à au moins 9" (22,9 cm) au-dessus du sol. Vous aurez besoin de placer le piédestal de 15,5" (39,4 cm) à au moins 3,5" (8,9 cm) au-dessus du sol.



A. Piédestal facultatif (modèle de 10" (25,4 cm) illustré)  
B. Piédestal facultatif (modèle de 15,5" (39,4 cm) illustré)

Les piédestaux sont disponibles en plusieurs couleurs.

Pour commander, téléphonez au marchand chez qui vous avez acheté votre sècheuse ou consulter la section "Assistance ou service".

Hauteur du piédestal	Couleur	Pièce n°
10" (25,4 cm)	Blanc	MHP1000SQ
15,5" (39,4 cm)	Blanc	XHP1550VW
15,5" (39,4 cm)	Rouge profond	XHP1550VF
15,5" (39,4 cm)	Vert éclatant	XHP1550VP
15,5" (39,4 cm)	Oxyde	XHP1550VJ

## Ensemble de superposition

Prévoyez-vous de superposer votre laveuse et votre sècheuse? Pour ce faire, vous devrez acheter un ensemble de superposition. Pour commander, téléphoner au marchand chez qui vous avez acheté votre sècheuse ou consulter la section "Assistance ou service". Demander la pièce n° 8212640.

## Trousse d'inversion de porte

Envisagez-vous d'inverser la direction de l'ouverture de la porte sur une sècheuse PERFORMANCE SERIES ? Pour ce faire, il faut acheter une trousse d'inversion de porte. Pour commander, téléphoner au marchand qui vous a vendu la sècheuse ou consulter la section "Assistance ou service". Demander la pièce numéro W10200372.

## Dosseret

Si l'on installe la laveuse et la sècheuse PERFORMANCE SERIES et que l'on souhaite éviter de voir des objets tomber derrière les machines, il est possible d'acheter une paire de dosserets pour laveuse/sècheuse. Ceux-ci permettront de réduire le risque de chute d'objets derrière les machines pendant le fonctionnement. Pour commander, téléphoner au marchand qui vous a vendu la sècheuse ou consulter la section "Assistance ou service". Demander la pièce numéro 8558694 (blanc).

## Exigences d'emplacement

### ⚠ AVERTISSEMENT



#### Risque d'explosion

Garder les matières et les vapeurs inflammables, telle que l'essence, loin de la sècheuse.

Placer la sècheuse au moins 46 cm (18 po) au-dessus du plancher pour une installation dans un garage.

Le non-respect de ces instructions peut causer un décès, une explosion ou un incendie.

### Il vous faudra

- Un emplacement qui permet l'installation d'un système d'évacuation approprié. Une sècheuse au gaz doit évacuer à l'extérieur. Voir "Exigences concernant l'évacuation".
- Une prise électrique avec liaison à la terre située à moins de 2 pi (61 cm) de l'un des côtés de la sècheuse. Voir "Spécifications électriques".
- Un plancher robuste capable de soutenir le poids total de la sècheuse de 200 lb (90,7 kg). Il faut aussi prendre en compte le poids combiné d'un appareil ménager voisin.

- Un plancher de niveau ayant une pente maximale de 1" (2,5 cm) sous l'ensemble de la sècheuse. Si la pente est supérieure à 1" (2,5 cm), installer l'ensemble de pieds longs, pièce n° 279810. Si la sècheuse n'est pas d'aplomb, le linge peut ne pas culbutter convenablement et les programmes automatiques commandés par détecteur peuvent ne pas fonctionner correctement.
- Robinets d'eau froide situés à 4 pi (1,2 m) de la sècheuse, et pression de l'eau de 20 à 100 lb/po<sup>2</sup> (137,9 à 689,6 kPa). Vous pouvez utiliser l'alimentation en eau froide de votre laveuse en utilisant le connecteur en "Y" fourni.
- Pour l'installation dans un garage, vous devez placer la sècheuse à au moins 18" (46 cm) au-dessus du sol. En cas d'utilisation d'un piédestal, il faudra 18" (46 cm) jusqu'au fond de la sècheuse.

Ne pas faire fonctionner la sècheuse à des températures inférieures à 45°F (7°C). À des températures inférieures, la sècheuse risque de ne plus s'arrêter à la fin d'un programme automatique. Ceci risque de prolonger les durées de séchage.

La sècheuse ne doit pas être installée ou remise dans un endroit où elle sera exposée à l'eau et/ou aux intempéries.

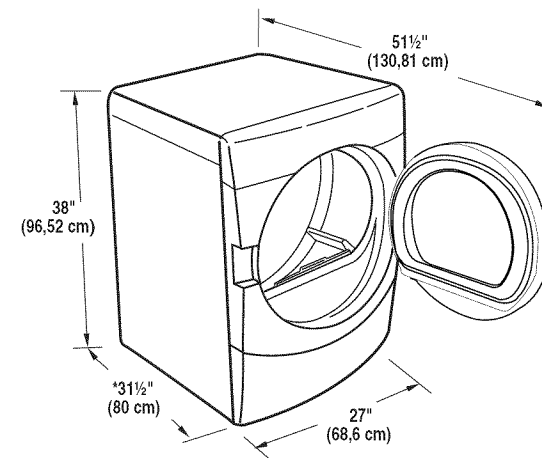
Vérifier les règlements locaux. Certains codes limitent ou n'autorisent pas l'installation des sècheuses dans un garage, un placard, une maison mobile ou une chambre à coucher. Communiquer avec l'inspecteur des bâtiments local.

**REMARQUE :** Aucun autre appareil qui utilise du carburant ne peut être installé dans le même placard que la sècheuse.

### Dégagements de séparation à respecter

L'emplacement doit être assez grand pour permettre d'ouvrir complètement la porte de la sècheuse.

### Dimensions de la sècheuse



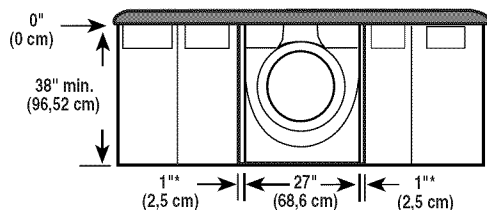
\*La plupart des installations requièrent un espace minimum de 5" (12,7 cm) derrière la sècheuse pour le conduit d'évacuation avec coude. Voir "Exigences concernant l'évacuation".

### Espacement minimum pour une installation dans un encastrement ou dans un placard

On recommande les dimensions d'espacement suivantes pour cette sècheuse. Cette sècheuse a été testée pour une installation avec dégagement de 0" (0 cm) sur les côtés et à l'arrière. L'espacement recommandé doit être considéré pour les raisons suivantes :

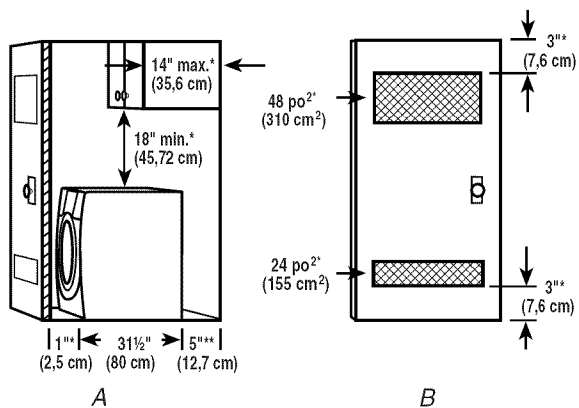
- On prévoira un peu plus d'espace pour faciliter l'installation et l'entretien.
- Un espace supplémentaire peut être requis pour les moulures de porte et de plancher et pour les plinthes.
- Un espace supplémentaire de tous les côtés de la sécheuse est recommandé pour réduire le transfert du bruit.
- Pour l'installation dans un placard avec porte, on doit prévoir des orifices d'entrée d'air en haut et en bas de la porte. Les portes à claire-voie offrant une surface équivalente de passage de l'air sont acceptables.
- Il faut aussi prendre en compte l'espace requis entre les appareils voisins.

### Installation personnalisée sous un comptoir - sécheuse seulement



\*Espace requis

### Installation dans un placard - Sécheuse seulement

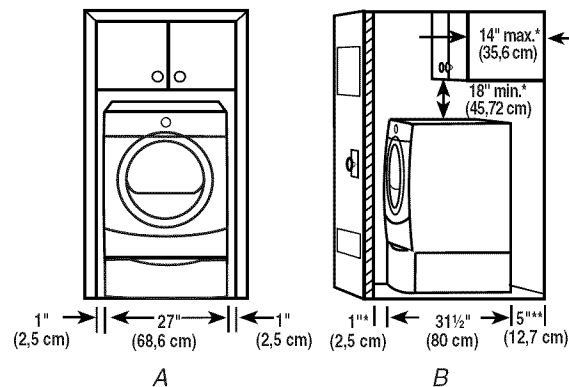


A. Vue latérale - placard ou endroit exigu  
B. Porte de placard avec orifices d'entrée d'air

\*Espace requis

\*\*Pour une évacuation par le côté ou par le fond, un espacement de 0" (0 cm) est permis.

### Installation dans un encastrement ou placard - sécheuse sur piédestal



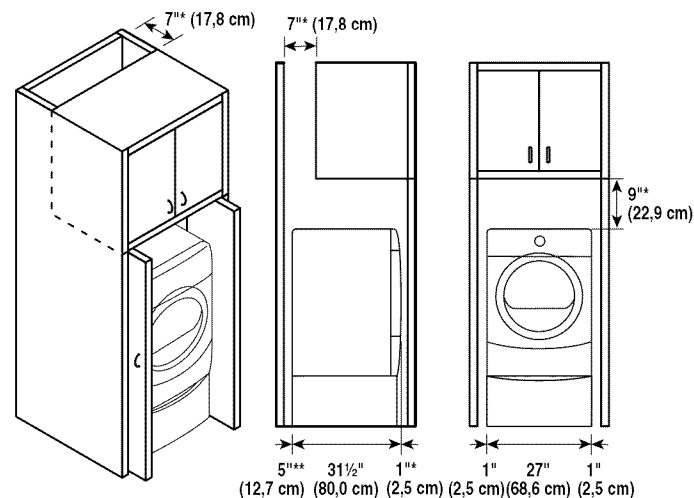
A. Encastrement  
B. Vue latérale - placard ou endroit exigu

\*Espace requis

\*\*Pour une évacuation par le côté ou par le fond, un espacement de 0" (0 cm) est permis.

### Espace requis recommandé pour l'installation dans un placard

- Pour installation dans un placard avec porte, on doit prévoir des ouvertures minimums d'entrée d'air au sommet du placard.

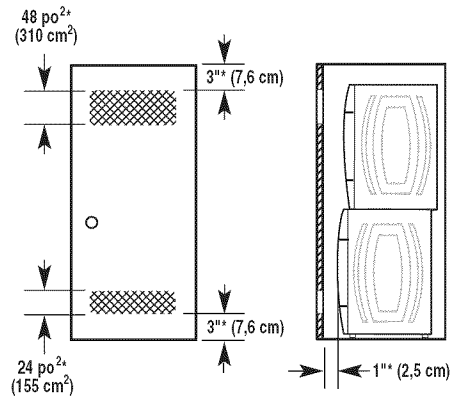


\*Espace requis

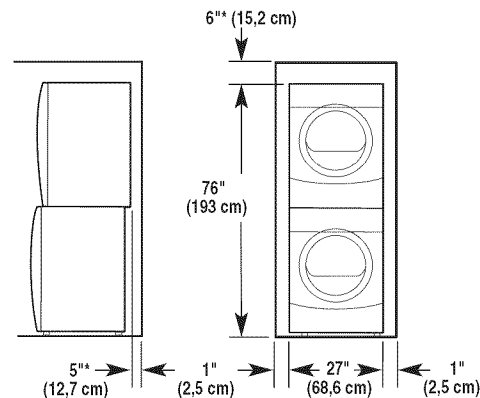
\*\*Pour une évacuation par le côté ou par le fond, un espacement de 0" (0 cm) est permis.

## Espacement recommandé pour une installation dans un encastrement ou dans un placard, avec une laveuse et une sècheuse superposées

Les dimensions indiquées sont pour l'espacement recommandé.



\*Espacement requis



\*Espacement requis

### Exigences supplémentaires pour l'installation dans une maison mobile

Cette sècheuse convient aux installations pour maison mobile. L'installation doit être conforme à la Manufactured Home Construction and Safety Standard, Title 24 CFR, Part 3280 (anciennement Federal Standard for Mobile Home Construction and Safety, Title 24, HUD Part 280) et la norme canadienne sur les maisons préfabriquées CAN/CSA-Z240 MH.

### L'installation dans une maison mobile exige :

- Un système d'évacuation en métal qui peut être acheté chez votre marchand.
- Nécessaire d'installation dans une maison mobile; pièce n°346764. Voir la section "Outillage et pièces" pour passer une commande.
- Il faut prendre des dispositions spéciales pour l'entrée d'air de l'extérieur dans la sècheuse dans les maisons mobiles. L'ouverture (telle qu'une fenêtre à proximité) devrait être au moins deux fois plus grande que l'ouverture de décharge de la sècheuse.

## Spécifications électriques

### ⚠ AVERTISSEMENT



#### Risque de choc électrique

**Brancher sur une prise à 3 alvéoles reliée à la terre.**

**Ne pas enlever la broche de liaison à la terre.**

**Ne pas utiliser un adaptateur.**

**Ne pas utiliser un câble de rallonge.**

**Le non-respect de ces instructions peut causer un décès, un incendie ou un choc électrique.**

- L'appareil doit être alimenté par un circuit de 120 V, CA seulement, 60 Hz, 15 ou 20 ampères, protégé par un fusible. On recommande l'emploi d'un fusible ou d'un disjoncteur temporisé. Il est recommandé de raccorder l'appareil sur un circuit distinct exclusif à cet appareil.

### INSTRUCTIONS DE LIAISON À LA TERRE

- Pour une sècheuse reliée à la terre et connectée par un cordon :

Cette sècheuse doit être reliée à la terre. En cas de mauvais fonctionnement ou de panne, la liaison à la terre réduira le risque de choc électrique en offrant au courant électrique un acheminement d'évacuation de moindre résistance. Cette sècheuse est alimentée par un cordon électrique comportant un conducteur relié à la terre et une fiche de branchement munie d'une broche de liaison à la terre. La fiche doit être branchée sur une prise appropriée qui est bien installée et reliée à la terre conformément à tous les codes et règlements locaux.

**AVERTISSEMENT :** Le raccordement incorrect de cet appareil au conducteur de liaison à la terre peut susciter un risque de choc électrique. En cas de doute quant à la qualité de liaison à la terre de la sècheuse, consulter un électricien ou un technicien ou un personnel qualifié. Ne pas modifier la fiche de branchement fournie avec la sècheuse; si la fiche ne correspond pas à la configuration de la prise de courant, demander à un électricien qualifié d'installer une prise de courant appropriée.

**CONSERVEZ CES INSTRUCTIONS**

## Spécifications de l'alimentation en gaz

### **⚠ AVERTISSEMENT**



#### Risque d'explosion

Utiliser une canalisation neuve d'arrivée de gaz approuvée par CSA International.

Installer un robinet d'arrêt.

Bien serrer chaque organe de connexion de la canalisation de gaz.

En cas de connexion au gaz propane, demander à une personne qualifiée de s'assurer que la pression de gaz ne dépasse pas 33 cm (13 po) de la colonne d'eau.

Par personne qualifiée, on comprend :

le personnel autorisé de chauffage,  
le personnel autorisé d'une compagnie de gaz, et  
le personnel d'entretien autorisé.

Le non-respect de ces instructions peut causer un décès, un explosion ou un incendie.

### Type de gaz

#### Gaz naturel :

Cette sècheuse est équipée pour une alimentation au gaz naturel. Sa conception est homologuée par la CSA International pour l'alimentation au gaz de pétrole liquéfié (propane ou butane), avec conversion appropriée.

- Cette sècheuse doit être équipée du brûleur convenable, correspondant au gaz spécifique qui alimente l'habitation. L'information sur le brûleur se trouve sur la plaque signalétique dans le logement de la porte de la sècheuse. Si cette information ne correspond pas au type de gaz disponible, contacter votre marchand ou composer les numéros de téléphone indiqués à la section "Assistance ou service".

#### Conversion au gaz de pétrole liquéfié :

Un technicien qualifié doit effectuer la conversion.

Ne pas entreprendre de convertir l'appareil pour l'utilisation d'un gaz différent de celui indiqué sur la plaque signalétique sans d'abord consulter le fournisseur de gaz.

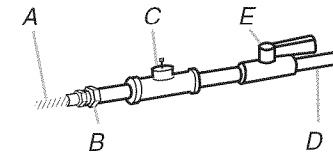
### Canalisation d'arrivée de gaz

- La canalisation doit comprendre un connecteur obturé (filetage NPT de 1/8" ou plus) accessible pour le raccordement de l'instrument de mesure immédiatement en amont de la connexion d'alimentation en gaz de la sècheuse. Voir l'illustration.
- Un tuyau IPS de 1/2" est recommandé.
- Pour les longueurs inférieures à 20 pi (6,1 m), on peut utiliser des tuyaux approuvés de 3/8" (en aluminium ou en cuivre), si les codes et le fournisseur de gaz le permettent.
- Pour le gaz naturel, ne pas utiliser de conduits en cuivre.
- Pour les longueurs supérieures à 20 pi (6,1 m), on peut utiliser des tuyaux plus gros et un adaptateur de grosseur différente.
- Si la sècheuse a été convertie au gaz de pétrole liquéfié, on peut utiliser un tuyau en cuivre compatible au gaz de pétrole liquéfié de 3/8". Si la longueur totale de la canalisation d'arrivée de gaz est supérieure à 20 pi (6,1 m), utiliser une plus grosse conduite.

**REMARQUE :** On doit utiliser un composé d'étanchéité des tuyauteries résistant à l'action du gaz de pétrole liquéfié. Ne pas utiliser de ruban TEFLON<sup>†</sup>.

- Doit comporter un robinet d'arrêt du gaz :

Un robinet d'arrêt manuel individuel doit être installé conformément à la norme B149.1 du Code des installations au gaz naturel ou propane. Il est recommandé qu'un robinet d'arrêt manuel individuel soit installé en deçà de 6 pi (1,8 m) de la sècheuse. L'emplacement doit être facile à atteindre pour l'ouverture et la fermeture.



- A. Connecteur souple de 3/8"
- B. Adaptateur du tuyau au joint conique de 3/8"
- C. Connecteur obturé (filetage NPT de 1/8" ou plus)
- D. Canalisation d'arrivée de gaz NPT de 1/2"
- E. Robinet d'arrêt du gaz

### Exigences concernant le raccordement au gaz

- Utiliser un coude et un adaptateur NPT de 3/8" x 3/8" entre le connecteur de gaz flexible et la conduite de gaz de la sècheuse, tel que nécessaire pour éviter le pincement.
- Utiliser uniquement un composé d'étanchéité des tuyauteries. Ne pas utiliser de ruban TEFLON<sup>†</sup>.
- On doit raccorder la sècheuse à la conduite d'alimentation en gaz à l'aide d'un connecteur de gaz flexible homologué qui respecte les normes applicables aux connecteurs utilisés avec des appareils ménagers à gaz, ANSI Z21.24 ou CSA 6.10.

<sup>†</sup>TEFLON est une marque déposée de E.I. Du Pont De Nemours et Compagnie.

## Caractéristiques d'alimentation du brûleur

### Altitudes supérieures à 10 000 pi (3048 m) :

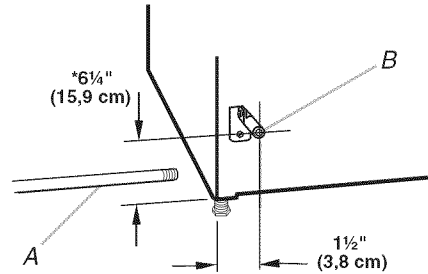
- Si la sécheuse doit être utilisée à une altitude supérieure à 10 000 pieds (3048 m), on doit réduire de 4 % le débit thermique du brûleur indiqué sur la plaque signalétique pour chaque tranche de 1000 pieds (305 m) d'augmentation de l'altitude.

### Épreuve sous pression de l'alimentation en gaz

- La sécheuse doit être déconnectée du système de canalisation d'alimentation en gaz lors de tout test de pression à des pressions plus élevées que  $\frac{1}{2}$  lb/po<sup>2</sup>.

## Canalisation d'arrivée de gaz de la sécheuse

- La canalisation d'arrivée de gaz sortant à l'arrière de la sécheuse est dotée d'un filetage mâle de  $\frac{3}{8}$ ".



A. Canalisation d'arrivée de gaz NPT de  $\frac{1}{2}$ "  
B. Tuyau NPT de la sécheuse de  $\frac{3}{8}$ "

**\*REMARQUE :** Si la sécheuse est montée sur un piédestal, prévoir 10" (25,4 cm) ou 15,5" (39,4 cm) de plus à partir du sol pour la hauteur de la canalisation d'arrivée de gaz, en fonction du modèle de piédestal. Pour une installation dans un garage, prévoir 18" (46 cm) de plus à partir du sol pour la hauteur de la canalisation d'arrivée de gaz.

## Exigences concernant l'évacuation

### ⚠ AVERTISSEMENT



#### Risque d'incendie

Utiliser un conduit d'évacuation en métal lourd.

**Ne pas utiliser un conduit d'évacuation en plastique.**

**Ne pas utiliser un conduit d'évacuation en feuille de métal.**

**Le non-respect de ces instructions peut causer un décès ou un incendie.**

**AVERTISSEMENT :** Pour réduire le risque d'incendie, cette sécheuse doit ÉVACUER L'AIR À L'EXTÉRIEUR.

**IMPORTANT :** Observer les dispositions de tous les codes et règlements en vigueur.

Le conduit d'évacuation de la sécheuse ne doit pas être connecté à une évacuation de gaz, une cheminée, un mur, un plafond ou un vide de construction.

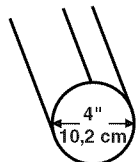
### En cas d'utilisation du système d'évacuation existant

- Éliminer la charpie sur toute la longueur du système et veiller à ce que le clapet de décharge ne soit pas obstrué par une accumulation de charpie.
- Remplacer tout conduit de plastique ou de feuille métallique par un conduit de métal lourd rigide ou souple.
- Examiner le tableau du conduit d'évacuation. Apporter les modifications nécessaires au système d'évacuation pour atteindre le meilleur rendement de séchage.

## En cas de nouveau système d'évacuation

### Matériel pour l'évacuation

- Utiliser un conduit d'évacuation en métal lourd. Ne pas utiliser un conduit de plastique ou en feuille métallique.
- Utiliser un conduit d'évacuation en métal lourd de 4" (10,2 cm) et des brides de serrage.



Conduit d'évacuation en métal lourd de 4" (10,2 cm)

On peut se procurer les produits d'évacuation auprès du marchand ou en téléphonant à Maytag Services. Pour plus de renseignements, voir la section "Assistance ou service".

### Conduit métallique rigide

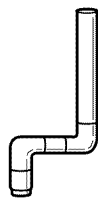
- Pour un meilleur rendement de séchage, on recommande d'utiliser des conduits métalliques rigides.
- On recommande d'utiliser un conduit métallique rigide pour réduire les risques d'écrasement et de déformation.

### Conduit métallique flexible

- Les conduits métalliques flexibles sont acceptables seulement dans la mesure où ils sont accessibles en vue du nettoyage.
- Un conduit métallique flexible doit être totalement déployé et soutenu lorsque la sècheuse est à sa position finale.
- Enlever tout excès de conduit flexible pour éviter tout affaissement ou déformation susceptible de réduire la capacité d'évacuation et le rendement.
- Ne pas installer le conduit métallique flexible dans les cavités fermées des murs, plafonds ou planchers.

### Coudes

Les coudes à 45° permettent une meilleure circulation de l'air que les coudes à 90°.



Bon

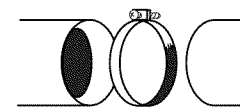


Meilleur

### Brides de serrage

- Utiliser des brides pour sceller tous les joints.

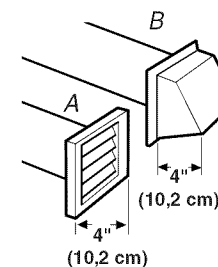
- Le conduit d'évacuation ne doit pas être connecté ou fixé avec des vis ou avec tout autre dispositif de serrage qui se prolonge à l'intérieur du conduit. Ne pas utiliser de ruban adhésif pour conduit.



Bride de serrage

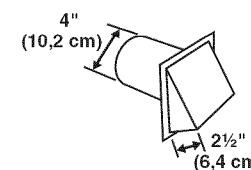
### Évacuation

Les styles de clapets recommandés sont illustrés ci-dessous.



A. Clapet à persiennes  
B. Clapet de type boîte

Le clapet incliné de type boîte ci-dessous est acceptable.



- Terminer le conduit d'évacuation par un clapet de décharge pour empêcher les rongeurs et insectes d'entrer dans l'habitation.
- Le clapet de décharge doit être situé à au moins 12" (30,5 cm) au-dessus du sol ou de tout autre objet susceptible de se trouver sur le trajet de l'air humide rejeté (par exemple, fleurs, roches ou arbustes, limite de la neige, etc.).
- Ne pas utiliser un clapet d'évacuation à fermeture magnétique.

**Une mauvaise évacuation de l'air peut causer de l'humidité et une accumulation de charpie à l'intérieur de la maison, ce qui peut provoquer :**

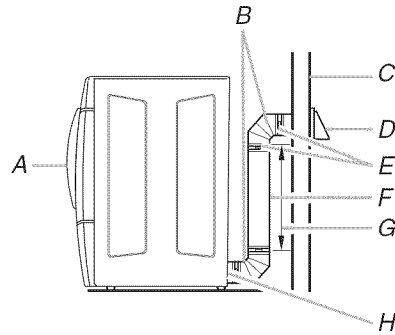
- Dommages par l'humidité aux boiseries, meubles, peinture, papier-peint, tapis, etc.
- Problèmes de nettoyage dans la maison et problèmes de santé.

# Planification du système d'évacuation

## Choisir un type de système d'évacuation

### Installations d'évacuation recommandées

Les installations typiques consistent à acheminer le conduit d'évacuation à l'arrière de la sècheuse. D'autres installations sont possibles.



- |                       |   |
|-----------------------|---|
| A. Sècheuse           | F. Conduit métallique rigide ou souple                      |
| B. Coude              | G. longueur de conduit nécessaire pour raccorder les coudes |
| C. Mur                | H. Bouche de décharge                                       |
| D. Clapet de décharge |   |
| E. Brides             |   |

### Installations d'évacuation facultatives

Cette sècheuse peut être convertie pour avoir un système d'évacuation par le côté droit, par le côté gauche ou par le bas. Contacter votre marchand local pour faire convertir la sècheuse.

## ⚠ AVERTISSEMENT



### Risque d'incendie

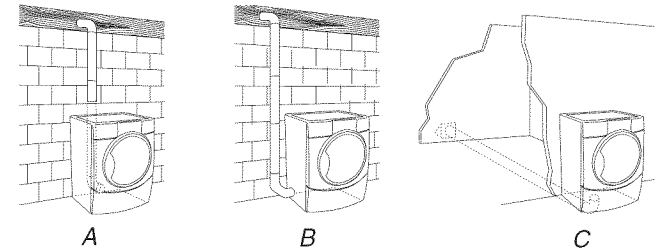
**Recouvrir tous les orifices d'évacuation non utilisés avec l'une des trouses suivantes :**

**279818 (blanche)**

**W10186596 (gris de minuit)**

**Contactez votre marchand local.**

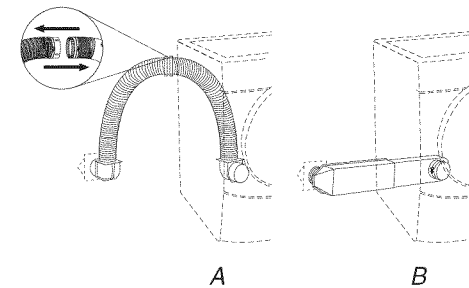
**Le non-respect de ces instructions peut causer un décès, un incendie, un choc électrique ou une blessure grave.**



- A. Acheminement standard du conduit d'évacuation par l'arrière  
 B. Acheminement du conduit d'évacuation par la gauche ou par la droite  
 C. Acheminement du conduit d'évacuation par le bas

### Autres installations où le dégagement est réduit

Il existe de nombreux types de systèmes d'évacuation. Choisir le type qui convient le mieux à l'installation. Deux installations à dégagement réduit sont illustrées. Voir les instructions du fabricant.



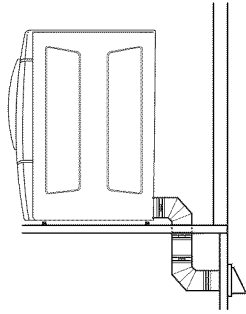
- A. Installation au-dessus de la sècheuse (aussi disponible avec un coude décalé)  
 B. Installation de périscope

**REMARQUE :** On peut acheter les trouses suivantes pour les installations où le dégagement est réduit. Veuillez consulter la section "Assistance ou service" pour passer une commande.

- Installation au-dessus de la sècheuse :  
Pièce numéro 4396028
- Installation de périscope (Pour utilisation en cas de non-concordance de la bouche de décharge de la sècheuse avec le clapet) :  
Pièce numéro 4396037 – Non-concordance de 0" (0 cm) à 18" (45,72 cm)  
Pièce numéro 4396011 – Non-concordance de 18" (45,72 cm) à 29" (73,66 cm)  
Pièce numéro 4396014 – Non-concordance de 29" (73,66 cm) à 50" (127 cm)

### Dispositions spéciales pour les installations dans une maison mobile

Le système d'évacuation doit être solidement fixé à une section non combustible de la structure de la maison mobile et ne doit pas se terminer en dessous de la maison mobile. Faire en sorte que le système d'évacuation se termine à l'extérieur.



### Déterminer l'itinéraire d'acheminement du conduit

- Choisir l'itinéraire d'acheminement vers l'extérieur qui sera le plus direct et le plus rectiligne.
- Planifier l'installation pour introduire le nombre minimal de coudes et de changements de direction.
- Si des coudes ou des changements de direction sont utilisés, prévoir autant d'espace que possible.
- Plier le conduit graduellement pour éviter de le déformer.
- Utiliser le moins possible de changements de direction à 90°.

### Déterminer la longueur du conduit et les coudes nécessaires pour la meilleure performance de séchage

- Utiliser le tableau des systèmes d'évacuation ci-dessous pour déterminer le type de matériel à utiliser pour le conduit et les combinaisons de clapet acceptables.

**REMARQUE :** Ne pas utiliser un conduit de longueur supérieure à la valeur spécifiée dans le tableau des systèmes d'évacuation. Si la longueur du circuit est supérieure à la valeur spécifiée dans le tableau, on observera :

- Une réduction de la longévité de la sècheuse.
- Une réduction du rendement, avec temps de séchage plus longs et une plus grande consommation d'énergie.

Le tableau des systèmes d'évacuation fournit les exigences d'évacuation qui vous aideront à atteindre la meilleure performance de séchage.

### Tableau des systèmes d'évacuation

**REMARQUE :** Les installations d'évacuation du conduit par le côté ou par le bas comportent un changement de direction à 90° à l'intérieur de la sècheuse. Pour établir la longueur maximale du conduit, ajouter un changement de direction à 90° au tableau.

Nombre de changements de direction à 90° ou coudes	Type de conduit	Clapets de type boîte ou à persiennes	Clapets inclinés
0	Métallique rigide	64 pi (20 m)	58 pi (17,7 m)
	Métallique souple	36 pi (11 m)	28 pi (8,5 m)
1	Métallique rigide	54 pi (16,5 m)	48 pi (14,6 m)
	Métallique souple	31 pi (9,4 m)	23 pi (7 m)
2	Métallique rigide	44 pi (13,4 m)	38 pi (11,6 m)
	Métallique souple	27 pi (8,2 m)	19 pi (5,8 m)
3	Métallique rigide	35 pi (10,7 m)	29 pi (8,8 m)
	Métallique souple	25 pi (7,6 m)	17 pi (5,2 m)
4	Métallique rigide	27 pi (8,2 m)	21 pi (6,4 m)
	Métallique souple	23 pi (7 m)	15 pi (4,6 m)

### Installation du système d'évacuation

1. Installer le clapet d'évacuation. Utiliser du composé de calfeutrage pour sceller l'ouverture murale à l'extérieur autour du clapet d'évacuation.
2. Raccorder le conduit d'évacuation au clapet. Le conduit doit être inséré à l'intérieur du clapet. Fixer ensemble le conduit et le clapet avec une bride de serrage de 4" (10,2 cm).
3. Acheminer le conduit d'évacuation jusqu'à l'emplacement de la sècheuse. Utiliser l'itinéraire le plus rectiligne possible. Voir "Déterminer l'itinéraire d'acheminement du conduit" dans "Planification du système d'évacuation". Éviter les changements de direction à 90°. Utiliser des brides de serrage pour sceller tous les joints. Ne pas utiliser de ruban adhésif pour conduit, de vis ou d'autres dispositifs de fixation qui se prolongent à l'intérieur du conduit pour fixer celui-ci.

## Installation des pieds de nivellement

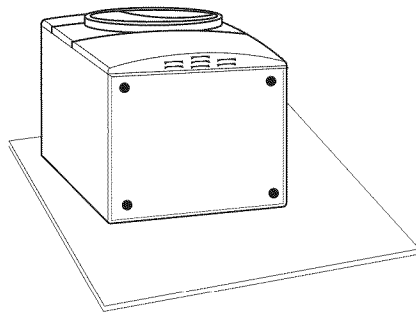
### **AVERTISSEMENT**

Risque du poids excessif

Utiliser deux ou plus de personnes pour déplacer et installer la sècheuse.

Le non-respect de cette instruction peut causer une blessure au dos ou d'autre blessure.

1. Pour protéger le plancher, utiliser une grande pièce de carton de la boîte de la sècheuse. Placer la pièce de carton sous toute la longueur du bord arrière de la sècheuse.
2. Saisir fermement la sècheuse par la caisse (et non par le tableau de console). Déposer délicatement la sècheuse sur le carton. Voir l'illustration.



3. Examiner les pieds de nivellement. Localiser le symbole de repérage (losange).

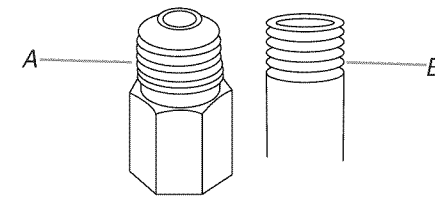


4. Engager manuellement les vis des pieds dans les trous. Utiliser une clé à molette pour visser les pieds jusqu'à ce que le symbole de repérage (losange) ne soit plus visible.
5. Placer une cornière en carton provenant de l'emballage de la sècheuse sous chacun des deux coins arrière de la sècheuse. Placer la sècheuse debout. Glisser la sècheuse sur les cornières jusqu'à ce que l'appareil soit proche de son emplacement final. Laisser assez d'espace pour connecter le conduit d'évacuation.

## Raccordement au gaz

1. Retirer le capuchon rouge de la conduite de gaz.

2. À l'aide d'une clé pour serrer, raccorder l'alimentation en gaz à la sècheuse. Utiliser un composé d'étanchéité des tuyauteries sur tous les filetages mâles non évasés. Si on utilise un conduit métallique souple, veiller à ce qu'il ne soit pas déformé

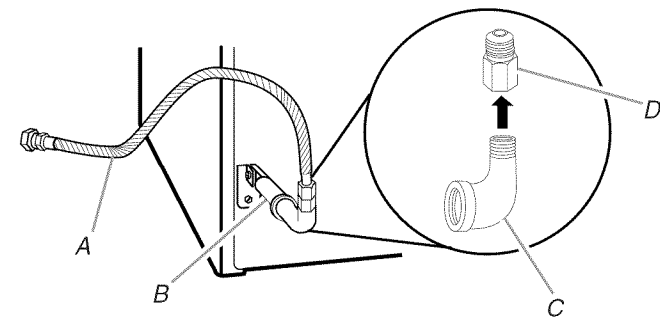


A. Filetage mâle évasé

B. Filetage mâle non évasé

**REMARQUE :** Pour les raccords au gaz de pétrole liquéfié, il faut utiliser un composé d'étanchéité des tuyauteries résistant à l'action du gaz de pétrole liquéfié. Ne pas utiliser de ruban TEFLON®†

On doit utiliser une combinaison de raccords de tuyauterie pour raccorder la sècheuse à l'alimentation en gaz existante. On voit ci-dessous une illustration d'un raccordement recommandé. Le raccordement peut varier, selon le type, la dimension et l'emplacement de l'alimentation.



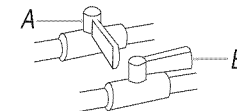
A. Connecteur à gaz souple de 3/8"

B. Conduit de la sècheuse de 3/8"

C. Coude de conduit de 3/8" à 3/8"

D. Adaptateur entre le conduit et le joint conique de 3/8"

3. Ouvrir le robinet d'arrêt du conduit d'alimentation. Le robinet est ouvert lorsque la poignée est parallèle au conduit d'alimentation en gaz.



A. Robinet fermé

B. Robinet ouvert

4. Vérifier tous les raccords en les badigeonnant d'une solution de détection des fuites non corrosive approuvée. L'apparition de bulles indique une fuite. Réparer toute fuite éventuelle.

†TEFLON est une marque déposée de E.I Du Pont De Nemours et Compagnie.

## Raccordement du conduit d'évacuation

1. À l'aide d'une bride de serrage de 4" (10,2 cm), relier le conduit d'évacuation à la bouche d'évacuation de la sècheuse. Si on utilise un système d'évacuation existant, s'assurer qu'il est propre. Le conduit d'évacuation de la sècheuse doit être fixé sur la bouche d'évacuation de la sècheuse et dans le clapet d'évacuation. S'assurer que le conduit d'évacuation est fixé au clapet d'évacuation à l'aide d'une bride de serrage de 4" (10,2 cm).
2. Placer la sècheuse à son emplacement final. Ne pas écraser ni déformer le conduit d'évacuation.
3. (Sur les modèles à gaz) Vérifier que le tuyau de gaz flexible n'est pas déformé ou écrasé.
4. Une fois que le conduit d'évacuation est raccordé, retirer les cornières et le carton.

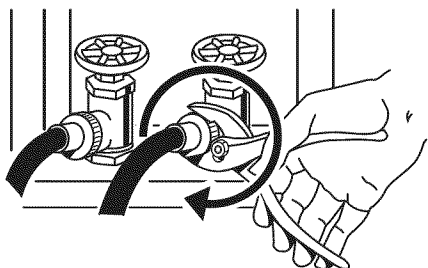
## Raccordement du tuyau d'alimentation

La sècheuse doit être connectée au robinet d'eau froide à l'aide des nouveaux tuyaux d'arrivée d'eau. Ne pas utiliser de tuyaux usagés.

1. Fermer le robinet d'eau froide et retirer le tuyau d'arrivée d'eau de la laveuse.
2. Retirer l'ancienne rondelle en caoutchouc du tuyau d'arrivée d'eau et la remplacer par la nouvelle rondelle en caoutchouc fournie. S'il y a suffisamment d'espace, fixer l'extrémité femelle en laiton du connecteur en "Y" au robinet d'eau froide.

**REMARQUE :** Si le connecteur en "Y" peut être fixé directement au robinet d'eau froide, passer à l'étape 6. Si le connecteur en "Y" ne peut pas être fixé directement au robinet d'eau froide, le tuyau court doit être utilisé. Passer à l'étape 3.

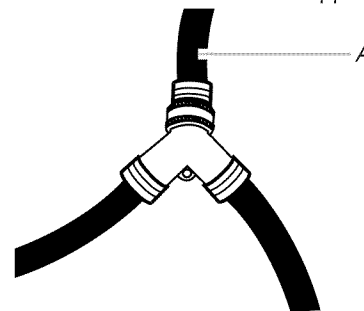
3. Fixer le tuyau court au robinet d'eau froide. Visser le raccord à la main pour qu'il repose sur le robinet.
4. Terminer le serrage des raccords - deux tiers de tour supplémentaire avec une pince.



**REMARQUE :** Ne pas serrer excessivement. Le raccord risque d'être endommagé.

5. Fixer le connecteur en "Y" à l'extrémité mâle en laiton du petit tuyau. Visser le raccord à la main pour qu'il repose sur le connecteur.
6. Fixer l'extrémité droite du long tuyau au connecteur en "Y".
7. Fixer le tuyau d'arrivée d'eau froide de la laveuse sur l'autre extrémité du connecteur en "Y". Visser le raccord à la main pour qu'il repose sur le connecteur.

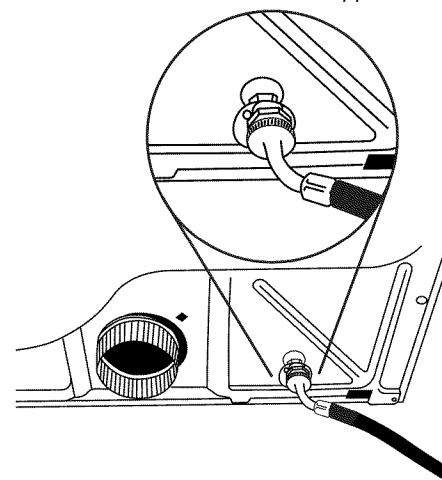
8. Terminer le serrage des raccords - deux tiers de tour supplémentaire avec une pince.



A. Alimentation du robinet d'eau froide

**REMARQUE :** Ne pas serrer excessivement. Le raccord risque d'être endommagé.

9. Fixer l'extrémité inclinée du long tuyau au robinet de remplissage au bas du panneau arrière de la sècheuse. Visser le raccord à la main pour qu'il repose sur le connecteur du robinet de remplissage.
10. Terminer le serrage du raccord - deux tiers de tour supplémentaire avec une pince.

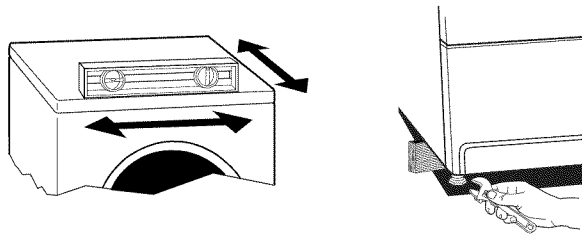


**REMARQUE :** Ne pas serrer excessivement. Le raccord risque d'être endommagé.

11. Vérifier que les robinets d'eau sont ouverts.
12. Vérifier l'absence de fuites autour du connecteur en "Y", du robinet et des tuyaux.

## Mise à niveau de la sècheuse

Contrôler l'aplomb de la sècheuse. Contrôler l'aplomb tout d'abord transversalement, puis dans le sens avant/arrière.



Si la sècheuse n'est pas de niveau, la déposer sur un bloc de bois. Utiliser une clé à molette pour ajuster les pieds vers le haut ou vers le bas, et vérifier à nouveau si elle est de niveau.

## Achever l'installation

1. Vérifier que toutes les pièces sont installées. S'il reste une pièce, passer en revue les différentes étapes pour découvrir laquelle aurait été oubliée.
2. S'assurer d'avoir récupéré tout l'outillage.
3. Jeter ou recycler tout le matériel d'emballage.
4. Veiller à ce que les robinets d'eau soient ouverts.
5. Vérifier l'absence de fuites autour du connecteur en "Y", du robinet et des tuyaux.
6. Vérifier l'emplacement définitif de la sècheuse. S'assurer que le conduit d'évacuation n'est pas écrasé ou déformé.
7. Vérifier que la sècheuse est de niveau. Voir "Mise à niveau de la sècheuse".

### **⚠ AVERTISSEMENT**



#### **Risque de choc électrique**

**Brancher sur une prise à 3 alvéoles reliée à la terre.**

**Ne pas enlever la broche de liaison à la terre.**

**Ne pas utiliser un adaptateur.**

**Ne pas utiliser un câble de rallonge.**

**Le non-respect de ces instructions peut causer un décès, un incendie ou un choc électrique.**

8. Brancher la sècheuse sur une prise à 3 broches reliée à la terre. Mettre le courant.
9. Ôter tout film protecteur ou ruban adhésif restant sur la sècheuse.
10. Jeter/recycler tout le matériel d'emballage.
11. Lire "Utilisation de la sècheuse".

12. Essuyer soigneusement le tambour de la sècheuse avec un chiffon humide pour éliminer toute trace de poussière.

13. Régler la sècheuse pour un programme de séchage complet (pas le programme de séchage à l'air) de 20 minutes et mettre la sècheuse en marche.

#### **Si la sècheuse ne démarre pas, vérifier ce qui suit :**

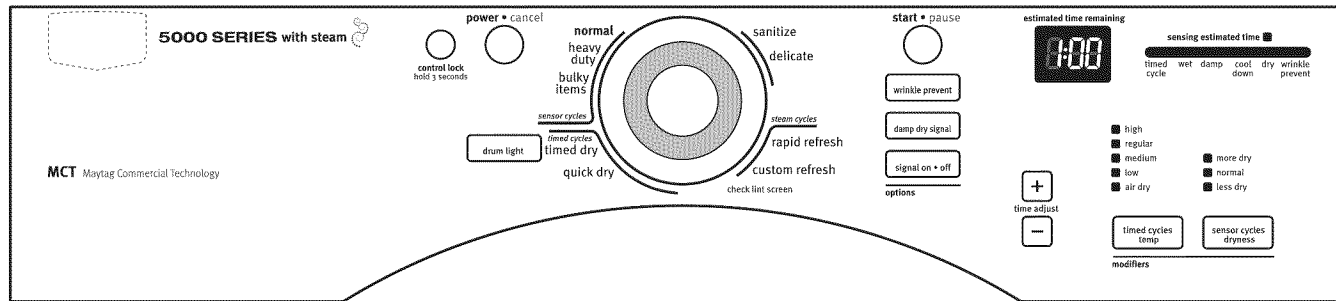
- Les commandes sont réglées à la position de marche ou "On".
- Le bouton Start (mise en marche) a été enfoncé fermement.
- La sècheuse est branchée sur une prise à 3 alvéoles reliée à la terre.
- L'alimentation électrique est connectée.
- Les fusibles sont intacts et serrés, ou le disjoncteur n'est pas déclenché.
- La porte de la sècheuse est fermée.
- Cette sècheuse démarre automatiquement une procédure de diagnostic au début du premier programme.

**REMARQUE :** Il est possible que la sècheuse dégage une odeur de brûlé lors du chauffage initial. Cette odeur est normale lorsque l'élément chauffant est utilisé pour la première fois. L'odeur disparaîtra.

14. Après 5 minutes de fonctionnement, ouvrir la porte de la sècheuse et vérifier s'il y a de la chaleur. En cas de chaleur, annuler le programme et fermer la porte. Si aucune émanation de chaleur n'est perceptible, éteindre la sècheuse et vérifier que le robinet d'arrêt de la canalisation de gaz est ouvert.

- Si le robinet d'arrêt de la canalisation de gaz est fermé, l'ouvrir, puis répéter le test de 5 minutes décrit ci-dessus.
- Si le robinet d'arrêt de la canalisation de gaz est ouvert, contacter un technicien qualifié.

# UTILISATION DE LA SÉCHEUSE



## Mise en marche de la sécheuse

### ⚠ AVERTISSEMENT



#### Risque d'explosion

Garder les matières et les vapeurs inflammables, telle que l'essence, loin de la sécheuse.

Ne pas faire sécher un article qui a déjà été touché par un produit inflammable (même après un lavage).

Le non-respect de ces instructions peut causer un décès, une explosion ou un incendie.

### ⚠ AVERTISSEMENT



#### Risque d'incendie

Aucune laveuse ne peut complètement enlever l'huile.

Ne pas faire sécher des articles qui ont été salis par tout genre d'huile (y compris les huiles de cuisson).

Les articles contenant mousse, caoutchouc ou plastique doivent être séchés sur une corde à linge ou par le programme de séchage à l'air.

Le non-respect de ces instructions peut causer un décès ou un incendie.

**AVERTISSEMENT :** Pour réduire le risque d'incendie, de choc électrique ou de blessures corporelles, lire les IMPORTANTES INSTRUCTIONS DE SÉCURITÉ avant de faire fonctionner cet appareil.

Ce manuel couvre plusieurs modèles différents. Votre sécheuse peut ne pas comporter l'ensemble des programmes et caractéristiques décrits.

Les renseignements suivants vous guideront pour la mise en marche de votre sécheuse. Veuillez vous référer aux sections spécifiques de ce manuel pour obtenir des renseignements plus détaillés.

1. Nettoyer le filtre à charpie avant chaque charge. Voir "Nettoyage du filtre à charpie".
2. Charger les vêtements dans la sécheuse et fermer la porte.

3. Appuyer sur le bouton POWER/CANCEL (mise sous tension/annulation) puis faire tourner le cadran pour sélectionner un programme de détection ou un programme minuté. Les préréglages et la durée de séchage pour le programme choisi s'affichent.

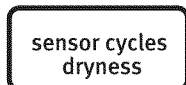
**REMARQUE :** Chaque fois qu'une caractéristique est sélectionnée, une lumière jaune s'allume à côté de cette caractéristique. Le témoin ne s'allume pas lorsque la sélection n'est pas disponible avec le programme ou les options sélectionnés.

#### Utilisation d'un programme de détection

- Appuyer sur le bouton POWER/CANCEL (mise sous tension/annulation).
- Faire tourner le cadran pour sélectionner un programme de détection.

- Le degré de séchage par défaut est Normal pour tous les programmes de détection. Ce degré de séchage permettra de sécher la plupart des charges de façon adéquate en utilisant le moins d'énergie possible. Vous pouvez sélectionner un autre degré de séchage en appuyant sur SENSOR CYCLE DRYNESS (degré de séchage des programmes de détection) et en choisissant More Dry (plus sec), Normal (normal) ou Less Dry (moins sec). La sélection de More Dry (plus sec), Normal (normal) ou Less Dry (moins sec) ajuste automatiquement le degré de séchage qui commandera l'arrêt de la sècheuse.

- more dry
- normal
- less dry



- Appuyer sur le bouton de la caractéristique WRINKLE PREVENT si l'on souhaite cette option.
- Appuyer sur le bouton SIGNAL ON/OFF (marche/arrêt du signal) pour régler le signal sonore de fin de programme.
- Appuyer (sans relâcher) sur le bouton START/PAUSE (mise en marche/pause) jusqu'à ce que la sècheuse se mette en marche (environ 1 seconde).

Les caractéristiques Wrinkle Prevent (anti-froissement) et Cycle Signal (signal de programme) peuvent être ajustées durant un programme de détection. Si l'on souhaite sélectionner un autre programme de détection ou un autre degré de séchage d'un programme de détection, appuyer une fois sur START/PAUSE (mise en marche/pause) pour arrêter la sècheuse, effectuer les changements désirés, puis appuyer sur START/PAUSE (mise en marche/pause) pour poursuivre le processus de séchage.

#### REMARQUES :

- Une durée par défaut est affichée lorsqu'un programme de détection est sélectionné. Au cours des premières minutes du processus de séchage, la durée du programme peut varier automatiquement par rapport à la durée par défaut en fonction du volume et du type de tissu de la charge. Vers la fin du processus de séchage, l'afficheur de la durée estimée s'ajustera de nouveau, indiquant la durée de séchage finale.
- La durée et la température ne sont pas ajustables pour les programmes de détection. Appuyer sur les boutons TIME ADJUST (réglage de la durée) ou TIMED CYCLES TEMP (temp. des programmes minutés) entraînera l'émission de trois bips, indiquant que la durée ne peut pas être modifiée.
- Chaque fois qu'une caractéristique est sélectionnée, un témoin lumineux jaune s'allume à côté de cette caractéristique. Le témoin ne s'allume pas lorsque la sélection n'est pas disponible avec le programme ou les options sélectionnés.
- Le degré de séchage des programmes de détection peut être modifié uniquement pour les programmes de détection. Cette caractéristique ne peut pas être sélectionnée pour les programmes Timed (minutés), Steam (vapeur) ou Sanitize (assainissement).

#### Comment fonctionnent les programmes de détection

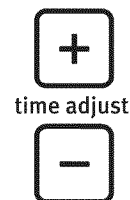
Le système de séchage Sensi-Care™ améliore la performance avec Auto Moisture Sensing Plus (détection automatique avancée de l'humidité), qui fait avancer le programme au fur

et à mesure que l'humidité est extraite des vêtements. Une thermistance (capteur électronique de température) et des bandes de détection de l'humidité dans le tambour de la sècheuse aident à mesurer la quantité d'humidité dans les vêtements lors du culbutage. Une commande électronique détermine le type de charge pour aider à gagner du temps, empêcher un séchage excessif, et augmenter la précision du niveau de séchage final. Après les 5 premières minutes d'un programme automatique, l'affichage de la durée de séchage estimée se réglera selon le volume approximatif de la charge, le programme, le niveau de séchage choisi et le niveau d'humidité détecté dans les vêtements. Lorsque la charge a atteint environ 80 % du niveau de séchage choisi, la durée de séchage estimée se réglera à nouveau, affichant cette fois-ci la durée de séchage finale. La caractéristique de détection automatique de l'humidité plus facilite le réglage de la durée du programme et protège les tissus.

#### Utilisation d'un programme minuté

**REMARQUE :** Chaque fois qu'une caractéristique est sélectionnée, une lumière jaune s'allume à côté de cette caractéristique. Le témoin ne s'allume pas lorsque la sélection n'est pas disponible avec le programme ou les options sélectionnés.

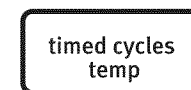
- Appuyer sur POWER/CANCEL (mise sous tension/annulation).
- Faire tourner le cadran pour sélectionner un programme minuté.
- Appuyer sur les flèches TIME ADJUST (vers le haut ou vers le bas) jusqu'à ce que la durée de séchage désirée s'affiche. Appuyer sur TIME ADJUST (réglage de la durée) et la durée changera par tranches de 1 minute. Appuyer sans relâcher sur TIME ADJUST et la durée changera par tranches de 5 minutes. La durée initiale affichée correspond à la durée de séchage réelle.



La caractéristique Time Adjust (réglage de la durée) ne peut être utilisée qu'avec les programmes minutés.

- Appuyer sur TIMED CYCLES TEMP (température de programmes minutés) jusqu'à ce que le réglage de température désiré s'illumine en jaune.

- high
- regular
- medium
- low
- air dry



Les réglages de température ne peuvent être modifiés qu'avec les programmes minutés.

- Appuyer sur le bouton de la caractéristique WRINKLE PREVENT si l'on souhaite cette option.

- Appuyer sur le bouton SIGNAL ON/OFF (signal de fin de programme) pour régler le volume au niveau désiré.
- Appuyer une fois sur le bouton START/PAUSE pour arrêter la sècheuse et permettre à l'utilisateur de sélectionner un autre programme.

**REMARQUE :** Le degré de séchage des programmes de détection n'est pas réglable pour les programmes minutés. Appuyer sur le bouton SENSOR CYCLE DRYNESS entraîne l'émission d'un triple bip sonore indiquant que cette option n'est pas sélectionnable.

Lorsqu'un programme minuté est en cours d'exécution, il est possible de modifier les réglages de durée, température, la caractéristique WRINKLE PREVENT ainsi que les signaux sonores de programmes. Appuyer une fois sur le bouton START/PAUSE pour arrêter la sècheuse et permettre à l'utilisateur de sélectionner un autre programme.

#### Air Dry (séchage à air)

Utiliser le réglage Air Dry (séchage à air) pour les articles qui doivent être séchés sans chaleur, tels que le caoutchouc, le plastique et les tissus sensibles à la chaleur. Ce tableau donne des exemples d'articles qui peuvent être séchés avec le réglage Air Only (air seulement).

Type de charge	Durée* (Minutes)
Caoutchouc, mousse – oreillers, soutiens-gorge rembourrés, jouets rembourrés.	20 - 30
Plastique - rideaux de douche, nappes	20 - 30
Tapis à endos de caoutchouc	40 - 50
Plastique oléfinique, polypropylène, nylon diaphane	10 - 20

Réinitialiser la durée pour terminer le séchage, si nécessaire

#### Utilisation du réglage Air Only (air seulement)

- Vérifier que les vêtements sont bien cousus.
- Secouer et faire bouffer les oreillers à la main périodiquement pendant le programme.
- Sécher l'article complètement. Les oreillers en caoutchouc mousse mettent du temps à sécher.

**REMARQUE :** Les programmes de détection ne sont pas disponibles lors de l'utilisation du réglage Air Dry (séchage à l'air).

#### Utilisation d'un programme Steam (vapeur)

- Appuyer sur le bouton POWER/CANCEL (mise sous tension/annulation).
- Faire tourner le cadran pour sélectionner les programmes Rapid Refresh (rafraîchissement rapide) ou Custom Refresh (rafraîchissement personnalisé).
- Appuyer sur les flèches TIME ADJUST (vers le haut ou vers le bas) jusqu'à ce que la durée de séchage désirée s'affiche.
- Appuyer sur TIME ADJUST (réglage de la durée) et la durée changera par tranches de 1 minute. Appuyer sans relâcher sur TIME ADJUST et la durée changera par tranches de 5 minutes. La durée initiale affichée correspond à la durée réelle de séchage.

**REMARQUE :** Les boutons Time Adjust peuvent être utilisés uniquement avec les programmes minutés et le programme Custom Refresh (rafraîchissement personnalisé).

- Appuyer sur TIMED CYCLE TEMP (température du programme minuté) jusqu'à ce que la température désirée s'allume en jaune.

**REMARQUE :** Lors du programme Custom Refresh (rafraîchissement personnalisé), vous pouvez modifier les réglages de durée, de température, la caractéristique Wrinkle Prevent (anti-froissement) et Signal On/Off (mise en marche/arrêt du signal). Lors du programme Rapid Refresh (rafraîchissement rapide), vous pouvez modifier les caractéristiques Wrinkle Prevent et Signal On/Off. Pour modifier d'autres réglages, appuyer deux fois sur START/PAUSE (mise en marche/pause) pour arrêter la sècheuse et effacer les réglages. Sélectionner un autre programme ou une autre option.

## Arrêt de la sècheuse

### Pour arrêter la sècheuse à n'importe quel moment

Appuyer sur OFF deux fois ou ouvrir la porte.

## Pause ou remise en marche

### Pour mettre la sècheuse en pause à n'importe quel moment

Ouvrir la porte ou appuyer sur OFF une fois.

### Pour remettre la sècheuse en marche

Fermer la porte et appuyer (sans relâcher) sur le bouton HOLD TO START jusqu'à ce que la sècheuse se mette en marche.

**REMARQUE :** Le séchage continuera à partir de là où le programme a été interrompu si on referme la porte et appuie sur Start dans les 5 minutes qui suivent. Si le programme est interrompu pendant plus de 5 minutes, la sècheuse s'arrête. Sélectionner les nouveaux réglages de programme avant de remettre la sècheuse en marche.

## Verrouillage des commandes

Cette caractéristique permet de verrouiller les réglages et d'empêcher l'utilisation non intentionnelle de la sècheuse. On peut aussi utiliser la caractéristique de verrouillage des commandes pour empêcher des changements non intentionnels de programme ou d'option durant le fonctionnement de la sècheuse.

### Pour activer la caractéristique Verrouillage des commandes lorsque la sècheuse est en marche :

Appuyer sur le bouton CYCLE END SIGNAL pendant trois secondes. La commande est verrouillée lorsqu'un signal sonore unique est émis et que le témoin de verrouillage est allumé.

- Lorsque la sècheuse est éteinte, il n'est pas nécessaire d'appuyer sur le bouton Control On avant d'activer la caractéristique de verrouillage des commandes.

### Déverrouillage :

Appuyer sur le bouton CYCLE END SIGNAL pendant trois secondes pour annuler cette caractéristique.

**REMARQUE :** Lorsque la sècheuse fonctionne et que le verrouillage des commandes est activé, il est possible d'arrêter la sècheuse en appuyant sur le bouton OFF, mais elle ne peut être remise en marche tant que la commande n'est pas déverrouillée.

## Conseils pour les programmes

Choisir le programme et le niveau de séchage ou la température corrects pour votre charge. Si un programme automatique est exécuté, l'affichage montre le temps estimé du programme lorsque votre sècheuse détecte automatiquement le niveau de séchage de votre charge. Si un programme manuel est exécuté, l'affichage montre le nombre exact de minutes qui restent dans le programme.

La période Cool Down (refroidissement) fait culbuter la charge sans chaleur au cours des quelques dernières minutes de tous les programmes. La période de refroidissement rend plus facile la manutention des charges et réduit le froissement. La durée de la période de refroidissement dépend du volume de la charge et du niveau de séchage.

### Conseils de séchage

- Suivre les directives sur l'étiquette lorsqu'elles sont disponibles.
- Ajouter une feuille d'assouplissant de tissus, si désiré. Suivre les instructions sur l'emballage.
- Retirer la charge de la sècheuse aussitôt que le culbutage cesse pour réduire le froissement. Cette action est particulièrement importante pour les tissus à pressage permanent, tricotés et tissus synthétiques.
- Éviter de faire sécher des vêtements de travail lourds avec des tissus plus légers. Cette action pourrait causer un séchage excessif des tissus légers, contribuant à un rétrécissement ou à un froissement plus prononcé.

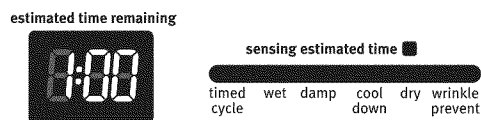
### Conseils pour les programmes

- On recommande de sécher la plupart des charges en utilisant les préréglages de programmes.
- Consulter le tableau des préréglages des programmes de détection ou des programmes minutés (à la section "Programmes") pour un guide de séchage de charges diverses.
  - Les températures de séchage et le degré de séchage des programmes de détection sont préréglés lorsque l'on choisit un programme de détection. On peut sélectionner un degré de séchage différent, en fonction de la charge, en appuyant sur le bouton SENSOR CYCLES DRYNESS (degré de séchage du programme de détection) et en choisissant More Dry (plus sec), Normal (normal) ou Less Dry (moins sec).
  - Pour ajuster la durée d'un programme minuté, il faut appuyer sur les boutons TIME ADJUST (réglage de la durée) (vers le haut ou vers le bas). Ajuster la température d'un programme minuté en appuyant sur TIMED CYCLES TEMP (température de programmes minutés) jusqu'à ce que la température désirée soit sélectionnée.

**REMARQUE :** Vous ne pouvez pas sélectionner le degré de séchage des programmes de détection avec les programmes minutés, Steam (à la vapeur), ou Sanitize (assainissement).

## Témoins lumineux

Vous pouvez suivre la progression de la sècheuse grâce aux témoins lumineux de degré de séchage.



### Témoin lumineux de détection

Lors de la mise en marche initiale d'un programme, le témoin lumineux Sensing (en cours de détection) s'allume jusqu'à la détection d'un article mouillé.

- Dans un programme de détection, si un article mouillé n'a pas été détecté dans les 10 minutes, le témoin lumineux Sensing s'éteint et la sècheuse s'arrête.
- Dans un programme minuté, si un article mouillé n'a pas été détecté au bout de 10 minutes, le témoin lumineux Wet (mouillé) s'allume et le programme sélectionné continue.

### Programme minuté

Les témoins lumineux de programme minuté et de détection s'illuminent durant la durée de séchage d'un programme minuté. Une fois la durée de séchage écoulée, la sècheuse passe au mode de refroidissement Cool Down (refroidissement).

- Pendant ce temps, le témoin lumineux Cool Down est allumé. Une fois que la période de refroidissement est écoulée, si la caractéristique WRINKLE PREVENT (anti-froissement) est sélectionnée, la partie Dry (sec) du témoin s'illumine.
- L'indicateur Wrinkle Prevent clignote et la charge culbute par intermittence pendant 120 minutes. Si la caractéristique WRINKLE PREVENT est sélectionnée, les vêtements cessent de culbute et la partie Dry (sec) du témoin s'illumine.

### Wet (mouillé)

Le témoin lumineux de statut mouillé est allumé chaque fois qu'un article mouillé est détecté dans la sècheuse lors d'un programme de détection.

Le témoin Wet reste allumé jusqu'à ce que :

- Le point de séchage humide soit atteint dans un programme de détection.
- La sècheuse commence la période de refroidissement dans un programme minuté.

### Damp (humide)

Lorsque le témoin lumineux de statut humide s'illumine, cela signifie que la charge est sèche à environ 80 %.

**REMARQUE :** Le témoin lumineux Damp (humide) ne s'allume pas pendant les programmes minutés.

### Cool Down (refroidissement)

Le témoin lumineux Cool Down (refroidissement) s'allume pendant la période de refroidissement du programme. La charge se refroidit pour en faciliter la manipulation.

### Dry (Séchage)

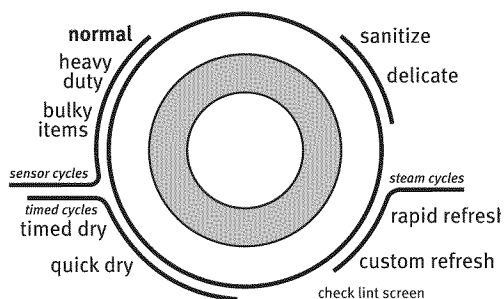
Le témoin Dry s'illumine lorsque le programme de séchage est terminé. Ce témoin reste allumé durant la caractéristique WRINKLE PREVENT (anti-froissement).

### Caractéristique Wrinkle Prevent (anti-froissement)

Le témoin lumineux Wrinkle Prevent (anti-froissement) clignote lorsque l'option Wrinkle Prevent est sélectionnée et qu'une partie du programme est en cours d'exécution. La durée de ce programme est de 120 minutes.

## Programmes

Sélectionner le programme de séchage qui correspond au type de charge à sécher. Voir les tableaux des programmes préréglés manuels ou automatiques.



Bouton de commande des programmes

### Programmes automatiques

Les programmes automatiques permettent d'assortir le programme à la charge à sécher. Voir le tableau suivant "Réglages des programmes automatiques préréglés". Chaque programme sèche certains tissus à la température recommandée. Un capteur détecte l'humidité de la charge et règle automatiquement la durée pour un séchage optimal.

#### Sanitize (assainissement)

Utiliser ce programme pour les articles tels que serviettes, articles de literie, vêtements pour enfants ou autres articles devant être assainis. Ce programme est conçu pour éliminer 99,9 % de 3 bactéries infectieuses courantes. Ce programme doit être exécuté jusqu'à la fin pour assurer un bon assainissement. Pour des résultats optimaux, ne pas interrompre le programme.



Protocole NSF P154

Performance d'assainissement des sècheuses de vêtements pour les particuliers

#### Heavy Duty (service intense)

Utiliser ce programme pour le séchage à température élevée des charges mixtes lourdes, des serviettes en coton ou des jeans.

#### Normal

Utiliser ce programme pour le séchage à température moyenne des tissus robustes tels que les vêtements de travail et les draps.

#### Bulky Items (articles volumineux)

Utiliser ce programme pour le séchage à chaleur standard des articles de grande taille qui nécessitent des temps de séchage très longs, tels que les vestes, les couettes et les oreillers. Réagencer la charge vers la moitié du programme de séchage; ceci facilite le processus de séchage.

#### Delicate (articles délicats)

Utiliser ce programme pour le séchage à température moyenne et en douceur des articles tels que les tricotés lavables.

### Réglages des programmes automatiques préréglés

Programmes de détection Type de charge	Temp.	Durée* (Minutes)
<b>SANITIZE (assainissement)</b> Serviettes, articles de literie, vêtements d'enfants	Élevée	60
<b>HEAVY DUTY (service intense)</b> Articles lourds, serviettes, jeans	Élevée	50
<b>NORMAL</b> Mélanges à pressage permanent, vêtements de travail, draps	Ordinaire	40
<b>Bulky Items (tout-aller)</b> Vestes, couettes, oreillers	Ordinaire	55
<b>DELICATE (articles délicats)</b> Lingerie, chemisiers, lainages lavables	Basse	30

\*Durée estimée avec le réglage de degré de séchage des programmes de détection (Normal). La durée variera en fonction du type et du volume de la charge.

#### Programmes minutés

Utiliser les programmes minutés pour sélectionner une durée de séchage précise et une température de séchage. Lorsqu'un programme minuté est sélectionné, l'afficheur de la durée résiduelle estimée indique la durée réelle restante pour le programme en cours. Il est possible de modifier la durée réelle du programme en appuyant sur les boutons TIME ADJUST (réglage de la durée) vers le haut ou vers le bas.

#### Timed Dry (séchage minuté)

Utiliser ce programme pour achever le séchage si des articles sont encore humides après un programme de détection. Le séchage minuté est également utile pour le séchage d'articles lourds et volumineux tels que les couvre-lits et les vêtements de travail. Les vêtements légers, tels que les vêtements de gymnastique, peuvent être séchés en utilisant le séchage minuté réglé à basse température.

#### Quick Dry (séchage rapide)

Utiliser ce programme pour sécher les petites charges ou les articles qui requièrent un temps de séchage court.

## Réglages des programmes manuels préréglés

Programmes manuels Type de charge	Temp.	Durée par défaut (Minutes)
<b>TIMED DRY (séchage minuté)</b> Articles lourds et encombrants, couvre-lits, vêtements de travail	Élevée	40
<b>TOUCHUP (rafraîchissement)</b> Aide à aplanir les faux plis	Moyenne	20
<b>RAPID DRY (séchage rapide)</b> Petites charges	Élevée	27

### Programmes Steam (vapeur)

Dans ces programmes, une petite quantité d'eau est vaporisée dans le tambour de la sècheuse après quelques minutes de culbutage avec chaleur. La sècheuse continuera à culbuter avec une chaleur ordinaire pendant la durée du programme. Les programmes Steam (vapeur) comprennent les programmes Rapid Refresh (rafraîchissement rapide) et Custom Refresh (rafraîchissement personnalisé). Le réglage de chaleur et la durée du programme ne peuvent pas être ajustés pour le programme Rapid Refresh (rafraîchissement rapide), mais peuvent l'être pour le programme Custom Refresh (rafraîchissement personnalisé).

**REMARQUE :** Les résultats peuvent varier en fonction du tissu. Les vêtements 100 % coton avec une finition infroissable peuvent donner de meilleurs résultats que les vêtements qui en sont dépourvus.

L'utilisation d'une feuille d'assouplissant de tissu n'est pas recommandée avec les programmes Steam (vapeur) car celle-ci peut entraîner des tâches temporaires sur les vêtements.

### Rapid Refresh (rafraîchissement rapide)

Ce programme est idéal pour défroisser les plis et réduire les odeurs des charges comportant un à quatre articles à sécher en coton infroissable, en mélange de coton et de polyester, en tricot ordinaire et en synthétique.

## Custom Refresh (rafraîchissement personnalisé)

Ce programme utilise de l'eau et de la chaleur pour aider à défroisser les plis des articles tels que les vêtements pliés dans une valise ou froissés parce que laissés trop longtemps dans la sècheuse..

### Préglages de programme Vapeur

Programmes minutés Type de charge	Par défaut Température*	Durée par défaut (en minutes)*
<b>RAPID REFRESH (rafraîchissement rapide)</b> Aide à défroisser les plis et à réduire les odeurs des charges comportant un à quatre articles à sécher.	Ordinaire	15
<b>CUSTOM REFRESH (rafraîchissement personnalisé)</b> Aider à défroisser les plis des charges laissées dans la sècheuse pendant longtemps .	Ordinaire	20

**\*REMARQUE :** Le programme Custom Refresh (rafraîchissement personnalisé) comporte une durée de séchage minimale de 15 minutes et une durée de séchage maximale de 40 minutes. Pour le programme Custom Refresh (rafraîchissement personnalisé), seuls les réglages de température standard et de température élevée peuvent être utilisés.

## Caractéristiques supplémentaires

### Lampe du tambour

Sélectionner Drum Light (lampe du tambour) pour allumer la lampe à l'intérieur du tambour de la sècheuse. Pendant un programme, si la fonction Drum Light est sélectionnée, la lampe du tambour s'allume et reste allumée jusqu'à ce qu'on appuie à nouveau sur la touche DRUM LIGHT, qu'on ouvre ou ferme la porte ou qu'on laisse la porte ouverte pendant 20 minutes.

drum light

Lorsque la sècheuse ne fonctionne pas, la lampe du tambour s'allume lorsqu'on appuie sur la touche DRUM LIGHT (lampe du tambour) ou lorsque la porte est ouverte. Elle restera allumée à moins que la porte de la sècheuse ne soit laissée ouverte pendant 20 minutes, qu'on ferme la porte ou qu'on appuie à nouveau sur la touche DRUM LIGHT. Appuyer sur DRUM LIGHT à tout moment pour allumer ou éteindre la lampe du tambour.

## WRINKLE PREVENT (anti-froissement)

Lorsqu'on ne peut pas enlever une charge de la sècheuse dès qu'elle s'arrête, des faux plis peuvent se former. La caractéristique WRINKLE PREVENT permet un culbutage à intervalles; elle réarrange et aère la charge pour aider à éviter la formation de faux plis.

wrinkle prevent

- Appuyer sur la caractéristique WRINKLE PREVENT pour obtenir jusqu'à 120 minutes de culbutage périodique et sans chaleur à la fin du programme.
- Arrêter le programme en tout temps en appuyant sur WRINKLE PREVENT ou en ouvrant la porte de la sècheuse.
- Pour le programme Casual (tout-aller), la caractéristique WRINKLE PREVENT est pré-réglée à "ON" (marche). Les autres programmes conservent le réglage de la caractéristique WRINKLE PREVENT. (Par exemple, si l'on sélectionne la caractéristique WRINKLE PREVENT au programme Normal, la caractéristique WRINKLE PREVENT sera activée la prochaine fois que l'on sélectionne le programme Normal).

**REMARQUE :** À défaut de sélectionner la caractéristique WRINKLE PREVENT, la sècheuse s'arrête après la période de refroidissement.

## Retouche

Utiliser cette caractéristique pour réduire les plis sur les vêtements qui ont été chargés dans une valise ou laissés dans la sècheuse pendant trop longtemps.

touchup

Appuyer sur POWER/CANCEL (mise sous tension/annulation). Appuyer une fois sur TOUCHUP (retouche) pour activer cette caractéristique. Appuyer sur START/PAUSE (mise en marche/pause) pour démarrer.

**REMARQUE :** Ce programme est un programme automatique. Il n'est pas nécessaire de faire une sélection sur le bouton de sélection de programme.

## Damp Dry Signal (signal de séchage humide)

Le signal de séchage humide peut être sélectionné pour vous informer que vos vêtements sont secs à environ 80 %. Cette option est utile lorsqu'on désire retirer des articles légers d'une charge mixte pour éviter de les sécher à l'excès ou pour sortir des articles partiellement secs nécessitant un éventuel repassage.

Le signal de séchage humide est utile pour le séchage des draps/du linge de maison dans une charge mixte. Lorsque le signal s'éteint, ouvrir la porte pour arrêter la sècheuse, réarranger la charge, fermer la porte et remettre la sècheuse en marche pour terminer le programme de séchage. Réarranger la charge aidera les articles à mieux sécher.

damp dry signal

Appuyer sur DAMP DRY SIGNAL (signal de séchage humide) pour activer ou désactiver l'alarme.

**REMARQUE :** Le signal de séchage humide fonctionne uniquement avec les programmes de détection. Ce signal ne peut pas être sélectionné pour le programme Sanitize (assainissement).

## Cycle signal (signal de programme)

La sècheuse émet un signal sonore de fin de programme qui indique la fin du programme de séchage. Le fait de sortir rapidement les vêtements à la fin du programme permet de réduire le froissement.

signal on • off

Appuyer sur SIGNAL ON/OFF (signal sonore marche/arrêt). Le témoin lumineux sur la commande s'illumine en jaune lorsque le signal de programme est activé.

**REMARQUE :** Lorsqu'on sélectionne la caractéristique WRINKLE PREVENT et que le signal de fin de programme est activé, un signal sonore se fait entendre à intervalles de 5 minutes jusqu'à ce qu'on sorte les vêtements de la sècheuse, ou jusqu'à ce que la caractéristique WRINKLE PREVENT soit terminée.

## Changement des programmes, options et modificateurs

Il est possible de changer les programmes de détection, les programmes minutés, les modificateurs et les options à tout moment avant d'appuyer sur le bouton Start (mise en marche).

**REMARQUE :** Trois brefs signaux sonores retentissent si une combinaison non disponible a été sélectionnée. La dernière sélection ne sera pas acceptée.

### Changement des programmes après avoir appuyé sur Start

1. Appuyer une fois sur START/PAUSE (mise en marche/pause). Ceci suspend le programme en cours.
2. Sélectionner le programme et les options désirés.
3. Appuyer sans relâcher sur START/PAUSE (mise en marche/pause). La sècheuse recommence au début du nouveau programme.

**REMARQUE :** Si on n'appuie pas sur START/PAUSE dans les 5 minutes qui suivent la sélection d'un programme, la sècheuse s'arrête automatiquement.

### Changement des modificateurs et options après avoir appuyé sur Start

Il est possible de changer un modificateur ou une option à tout moment avant que le modificateur ou l'option choisi(e) ne commence.

1. Appuyer une fois sur START/PAUSE (mise en marche/pause).
2. Choisir le nouveau modificateur et/ou la nouvelle option.
3. Appuyer sans relâcher sur START/PAUSE pour poursuivre le programme.

### Modifier les pré-réglages de degré de séchage des programmes de détection

Si les charges des programmes de détection ne sont pas aussi sèches que désiré, il est possible de modifier les pré-réglages de degré de séchage des programmes de détection pour augmenter le degré de séchage. Cette modification affectera tous les programmes de détection.

Les réglages de degré de séchage des programmes de détection peuvent être modifiés pour s'adapter à différentes installations, conditions environnementales ou selon vos préférences personnelles. Il existe 3 réglages de séchage : 1 (degré de séchage pré-réglé en usine), 2

(vêtements légèrement secs, environ 15 % de temps de séchage supplémentaire) et 3 (vêtements beaucoup plus secs, environ 30 % de temps de séchage supplémentaire).

1. Les réglages de degré de séchage des programmes de détection ne peuvent pas être modifiés pendant le fonctionnement de la sècheuse.
2. Appuyer sans relâcher sur le bouton de degré de séchage des programmes de détection pendant 5 secondes. La sècheuse émet un signal sonore, et "CF" s'affiche pendant 1 seconde sur l'écran d'affichage de la durée résiduelle estimée, suivi du réglage de séchage actuel.
3. Pour sélectionner un nouveau degré de séchage, appuyer de nouveau sur le bouton de degré de séchage des programmes de détection jusqu'à ce que le réglage de séchage désiré s'affiche.

**REMARQUE :** Pendant une recherche de réglage, le réglage en cours ne clignote pas mais les autres réglages clignotent.

4. Appuyer sur START/PAUSE pour enregistrer le réglage de séchage.
5. Le réglage de séchage que l'on a sélectionné devient le nouveau réglage par défaut pour tous les programmes de détection.

## Grille de séchage

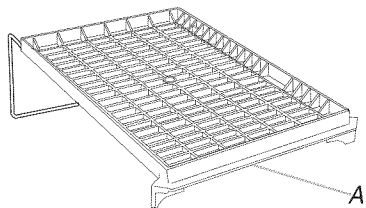
La grille de séchage est utile pour sécher les articles que l'on ne ferait pas nécessairement sécher par culbutage ou que l'on ferait normalement sécher sur une corde à linge (par exemple, les chandails).

Si votre modèle ne dispose pas d'une grille de séchage, vous pouvez en acheter une. Pour savoir si votre modèle permet l'utilisation d'une grille de séchage et pour obtenir plus de renseignements sur la possibilité de commander, veuillez consulter la couverture de ce manuel ou contacter le marchand qui vous a vendu la sècheuse.

### Utilisation de la grille de séchage

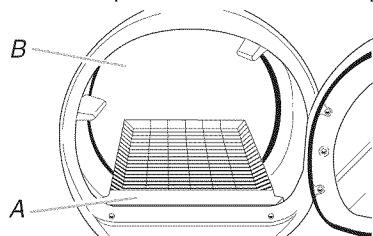
Ne pas retirer le filtre à charpie.

1. Ouvrir la porte de la sècheuse.



A. Bord avant

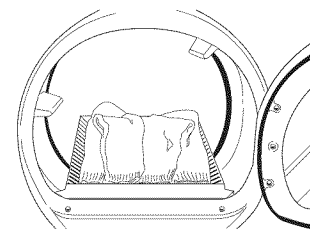
2. Placer la grille de séchage dans le tambour de la sècheuse en positionnant la broche arrière sur le rebord du panneau interne arrière de la sècheuse. Baisser le bord avant de la grille de séchage pour bien la fixer par-dessus le filtre à charpie.



A. Bord avant de la grille de séchage  
B. Panneau arrière de la sècheuse

3. Placer les articles mouillés sur la grille de séchage. Laisser de l'espace entre les articles pour que l'air puisse atteindre toutes les surfaces.

**REMARQUE :** Ne pas laisser un article pendre par-dessus le bord de la grille de séchage.



4. Fermer la porte.
5. Sélectionner un programme manuel et une température ou le programme de séchage Air Only (Air seulement) (voir le tableau suivant). Les articles contenant de la mousse, du caoutchouc ou du plastique doivent être séchés sur une corde à linge ou au moyen du réglage de température Air Only (Air seulement).
6. Il faut sélectionner une durée de séchage en appuyant sur les boutons (- ou +) MANUAL DRY TIME (durée de séchage manuel). Régler de nouveau la durée au besoin pour compléter le séchage. Se référer au tableau suivant.
7. Appuyer environ 1 seconde sur le bouton HOLD TO START (appuyer sans relâcher pour mettre en marche).

**REMARQUE :** Vous devez enlever la grille de séchage pour le culbutage normal. Ne pas utiliser les programmes automatiques avec la grille de séchage.

Ce tableau montre des exemples d'articles qui peuvent être séchés sur une grille et indique le programme, le réglage de température et la durée de séchage suggérés. La durée de séchage réelle dépendra du degré d'humidité retenu dans les articles.

Séchage sur grille	Réglage	Temp.	Durée*
<b>Chandails en laine</b> Étirer à la taille normale et étaler à plat sur la grille de séchage	Séchage minuté	Basse	60
<b>Jouets rembourrés ou oreillers</b> Rembourrage de coton ou de polyester	Séchage minuté	Basse	60
<b>Jouets rembourrés ou oreillers</b> Rembourrage en caoutchouc mousse	Séchage minuté	Air seulement (sans chaleur)	90
<b>Chaussures de tennis ou de toile</b>	Séchage minuté	Air seulement (sans chaleur)	90

\*(Minutes) Régler de nouveau la durée pour compléter le séchage, si nécessaire.

**REMARQUE :** Il faut enlever la grille de séchage pour le culbutage normal. Ne pas utiliser les programmes de détection avec la grille de séchage.

# ENTRETIEN DE LA SÉCHEUSE

## Nettoyage de l'emplacement de la sécheuse

Éviter de laisser des éléments qui pourraient obstruer le débit de combustion et empêcher une bonne ventilation autour de la sécheuse.

### ⚠ AVERTISSEMENT



#### Risque d'explosion

Garder les matières et les vapeurs inflammables, telle que l'essence, loin de la sécheuse.

Placer la sécheuse au moins 46 cm (18 po) au-dessus du plancher pour une installation dans un garage.

Le non-respect de ces instructions peut causer un décès, une explosion ou un incendie.

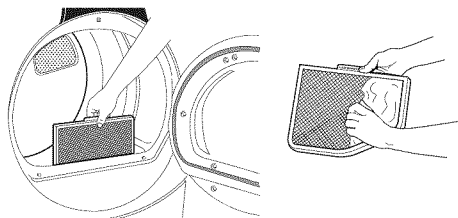
## Nettoyage du filtre à charpie

### Nettoyage à chaque charge

Le filtre à charpie se trouve dans la porte de la sécheuse. Un filtre obstrué de charpie peut augmenter le temps de séchage.

### Nettoyage

1. Enlever le filtre à charpie en le tirant directement vers le haut. Enlever la charpie du filtre en la roulant avec les doigts. Ne pas rincer ni laver le filtre pour enlever la charpie. La charpie mouillée s'enlève difficilement.



2. Remettre le filtre à charpie fermement en place.

### IMPORTANT :

- Ne pas faire fonctionner la sécheuse avec un filtre à charpie déplacé, endommagé, bloqué ou manquant. Une telle action peut causer un échauffement ou des dommages pour la sécheuse et les tissus.
- Si de la charpie tombe dans la sécheuse au moment du retrait du filtre, vérifier le conduit d'évacuation et retirer la charpie. Voir "Exigences concernant l'évacuation".

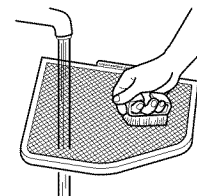
### Nettoyage au besoin

Les détergents et les assouplissants de tissu peuvent causer une accumulation de résidus sur le filtre à charpie. Cette accumulation peut augmenter les temps de séchage ou entraîner un arrêt de la sécheuse avant que la charge ne soit sèche. Si de la charpie tombe du filtre, le filtre est probablement encrassé.

Nettoyer le filtre à charpie avec une brosse en nylon tous les 6 mois ou plus fréquemment s'il devient obstrué par suite d'une accumulation de résidus.

### Lavage

1. Enlever la charpie du filtre en la roulant avec les doigts.
2. Mouiller les deux côtés du filtre à charpie avec de l'eau chaude.
3. Mouiller une brosse en nylon avec de l'eau chaude et du détergent liquide; frotter le filtre avec la brosse pour enlever l'accumulation de résidus.



4. Rincer le filtre à l'eau chaude.
5. Bien sécher le filtre à charpie avec une serviette propre. Replacer le filtre dans la sécheuse.

## Nettoyage de l'intérieur de la sécheuse

### Nettoyage du tambour de la sécheuse

1. Préparer une pâte avec un détergent à lessive en poudre et de l'eau très chaude.
2. Appliquer la pâte sur un linge doux.

### OU

Verser un nettoyant liquide domestique ininflammable sur la surface tachée et frotter avec un linge doux jusqu'à ce que toute la teinture et les taches soient enlevées.

3. Essuyer complètement le tambour avec un linge humide.
4. Faire culbuter une charge de linge ou de serviettes propres pour sécher le tambour.

**REMARQUE :** Les vêtements contenant des teintures instables, tels que jeans en denim ou articles en coton de couleur vive, peuvent décolorer l'intérieur de la sécheuse. Ces taches ne sont pas nuisibles à votre sécheuse et ne tacheront pas les vêtements dans les charges futures. Faire sécher les articles à teinture instable en les tournant à l'envers pour empêcher le transfert de la teinture.

## Retrait de la charpie accumulée

### Dans la caisse de la sècheuse

Il faut retirer la charpie accumulée dans la caisse de la sècheuse tous les 2 ans ou plus souvent, selon l'utilisation de la sècheuse. Le nettoyage devrait être fait par une personne qualifiée.

### Dans le conduit d'évacuation

La charpie devrait être nettoyée tous les 2 ans ou plus souvent, selon l'utilisation de la sècheuse.

## Tuyaux d'arrivée d'eau

Remplacer les tuyaux d'arrivée d'eau et le filtre de tuyau après 5 ans d'utilisation afin de réduire le risque de défaillance des tuyaux. Inspecter périodiquement les tuyaux; les remplacer en cas de renflement, de déformation, de coupure et d'usure ou si une fuite se manifeste. Lors du remplacement des tuyaux d'arrivée d'eau, inscrire la date du remplacement.

## Précautions à prendre avant les vacances, un entreposage ou un déménagement

Installer et entreposer votre sècheuse dans un endroit où elle ne gèlera pas. Étant donné que de l'eau peut rester dans les tuyaux, le gel peut endommager votre sècheuse. Si vous entreposez ou déplacez votre sècheuse en temps de gel, hiverisez-la.

### Période de vacances

On ne doit faire fonctionner la sècheuse que lorsqu'on est présent sur place. Si l'utilisateur doit partir en vacances ou n'utilise pas la sècheuse pendant une période prolongée, il convient d'exécuter les opérations suivantes :

1. Débrancher la sècheuse ou déconnecter la source de courant électrique.
2. Fermer le robinet d'arrêt de la canalisation de gaz.
3. Laver le filtre à charpie. Voir "Nettoyage du filtre à charpie".

### Hiverisation de la sècheuse

1. Débrancher le cordon d'alimentation électrique.
2. Fermer le robinet d'arrêt de la canalisation de gaz.
3. Débrancher le tuyau de la canalisation de gaz et retirer les raccords fixés sur le tuyau de la sècheuse.
4. Recouvrir la canalisation de gaz ouverte.
5. Fermer le robinet d'eau.
6. Déconnecter le tuyau d'arrivée d'eau du robinet et le vider.

### Réutilisation de la sècheuse

1. Vidanger les canalisations d'eau. Reconnecter le tuyau d'arrivée d'eau au robinet. Ouvrir le robinet d'eau.
2. Brancher la sècheuse ou reconnecter la source de courant électrique.

## Précautions à prendre avant un déménagement

### Sécheuses alimentées par cordon d'alimentation :

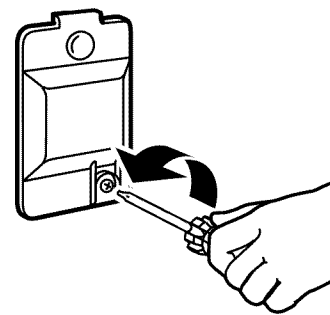
1. Débrancher le cordon d'alimentation électrique.
2. Fermer le robinet d'arrêt de la canalisation de gaz.
3. Débrancher le tuyau de la canalisation de gaz et retirer les raccords fixés sur le tuyau de la sècheuse.
4. Recouvrir la canalisation de gaz ouverte.
5. Fermer le robinet d'eau.
6. Déconnecter le tuyau d'arrivée d'eau du robinet, puis vider le tuyau. Transporter le tuyau séparément.
7. Veiller à ce que les pieds de nivellement soient fixés solidement à la base de la sècheuse.
8. Utiliser du ruban adhésif de masquage pour fixer la porte de la sècheuse.

## Changement de l'ampoule d'éclairage du tambour

La lumière de la sècheuse s'allume automatiquement à l'intérieur du tambour lorsqu'on ouvre la porte.

### Changement de l'ampoule du tambour

1. Débrancher la sècheuse ou déconnecter la source de courant électrique.
2. Ouvrir la porte de la sècheuse. Trouver le couvercle de l'ampoule d'éclairage sur la paroi arrière de la sècheuse. Enlever la vis située au coin inférieur droit du couvercle. Enlever le couvercle.



3. Tourner l'ampoule dans le sens antihoraire. Remplacer l'ampoule seulement par une ampoule de 10 watts pour appareil électroménager. Réinstaller le couvercle et le fixer avec la vis.
4. Brancher la sècheuse ou reconnecter la source de courant électrique.

# DÉPANNAGE

Essayer d'abord les solutions suggérées ici ou visiter notre site Web et consulter les références FAQ (Foire Aux Questions), ce qui vous évitera peut-être le coût d'une visite de service...[www.whirlpool.ca](http://www.whirlpool.ca)

## Fonctionnement de la sècheuse

### La sècheuse ne fonctionne pas

- **Un fusible est-il grillé ou un disjoncteur s'est-il déclenché?**  
Il peut y avoir 2 fusibles ou disjoncteurs pour la sècheuse. Vérifier que les deux fusibles sont intacts et serrés ou que les deux disjoncteurs ne sont pas déclenchés. Remplacer le fusible ou réenclencher le disjoncteur. Si le problème persiste, appeler un électricien.
- **Une alimentation électrique correcte est-elle disponible?**  
Les sècheuses électriques nécessitent une alimentation électrique de 240 V. Vérifier avec un électricien qualifié.
- **A-t-on utilisé un fusible ordinaire?**  
Utiliser un fusible temporisé.
- **La porte de la sècheuse est-elle bien fermée?**
- **A-t-on bien enfoncé le bouton Start (mise en marche)?**  
Pour les charges importantes, il peut être nécessaire d'appuyer sur le bouton Start pendant 2 à 5 secondes.

### Absence de chaleur

- **Un fusible est-il grillé ou un disjoncteur s'est-il déclenché?**  
Le tambour peut tourner, mais sans chaleur. Les sècheuses électriques utilisent 2 fusibles ou disjoncteurs. Remplacer le fusible ou réenclencher le disjoncteur. Si le problème persiste, appeler un électricien.
- **Le robinet du conduit d'alimentation en gaz est-il ouvert?**

### Bruits inhabituels

- **La sècheuse est-elle restée hors service pendant un certain temps?**  
Si la sècheuse n'a pas été utilisée depuis quelque temps, il est possible qu'elle émette des bruits saccadés au cours des premières minutes de fonctionnement.
- **Une pièce de monnaie, un bouton ou un trombone sont-ils coincés entre le tambour et l'avant ou l'arrière de la sècheuse?**  
Vérifier les bords avant et arrière du tambour pour voir si de petits objets y sont coincés.
- **S'agit-il d'une sècheuse à gaz?**  
Le déclic du robinet de gaz est un bruit de fonctionnement normal.
- Vider les poches avant de faire la lessive.
- **Les quatre pieds sont-ils installés et la sècheuse est-elle d'aplomb de l'avant vers l'arrière et transversalement?**  
La sècheuse peut vibrer si elle n'est pas correctement installée. Voir les Instructions d'installation.

- **Les vêtements sont-ils emmêlés ou en boule?**  
Une charge en boule rebondit, ce qui fait vibrer la sècheuse. Séparer les articles de la charge et remettre la sècheuse en marche.

### La sècheuse affiche un message codé

- **“PF” (panne de courant), vérifier ce qui suit :**  
Le programme de séchage a-t-il été interrompu par une panne de courant? Appuyer sans relâcher sur START pour remettre la sècheuse en marche.
- **Codes de service variables “E” (E1, E2, E3) :**  
Faire un appel de service.

## Résultats de la sècheuse

Le séchage des vêtements n'est pas satisfaisant, les durées de séchage sont trop longues, la charge est trop chaude

- **Le filtre à charpie est-il obstrué de charpie?**  
Le filtre à charpie doit être nettoyé avant chaque charge.

## ⚠ AVERTISSEMENT




### Risque d'incendie

- Utiliser un conduit d'évacuation en métal lourd.
- Ne pas utiliser un conduit d'évacuation en plastique.
- Ne pas utiliser un conduit d'évacuation en feuille de métal.
- Le non-respect de ces instructions peut causer un décès ou un incendie.

- **Le conduit d'évacuation ou le clapet d'évacuation à l'extérieur est-il obstrué de charpie, restreignant le mouvement de l'air?**  
Faire fonctionner la sècheuse pendant 5 à 10 minutes. Tenir la main sous le clapet d'évacuation à l'extérieur pour vérifier le mouvement de l'air. Si vous ne ressentez pas de l'air en mouvement, nettoyer le système d'évacuation ou remplacer le conduit d'évacuation par un conduit en métal lourd ou flexible. Voir les Instructions d'installation.

- **Des feuilles d'assouplissant de tissus bloquent-elles la grille de sortie?**  
Utiliser seulement une feuille d'assouplissant par charge et ne l'utiliser qu'une seule fois.
- **Le conduit d'évacuation a-t-il la longueur appropriée?**  
Vérifier que le conduit d'évacuation n'est pas trop long ou ne comporte pas trop de changements de direction. Un long conduit augmentera les durées de séchage. Voir les Instructions d'installation.
- **Le diamètre du conduit d'évacuation a-t-il la taille correcte?**  
Utiliser un composant de 4" (10,2 cm) de diamètre.

**⚠ AVERTISSEMENT**



**Risque d'explosion**

**Garder les matières et les vapeurs inflammables, telle que l'essence, loin de la sècheuse.**

**Placer la sècheuse au moins 46 cm (18 po) au-dessus du plancher pour une installation dans un garage.**

**Le non-respect de ces instructions peut causer un décès, une explosion ou un incendie.**

- **La sècheuse se trouve-t-elle dans une pièce où la température ambiante est inférieure à 45°F (7°C)?**  
Le bon fonctionnement des programmes de la sècheuse nécessite une température ambiante supérieure à 45°F (7°C).
- **La sècheuse est-elle installée dans un placard?**  
Les portes du placard doivent comporter des ouvertures d'aération au sommet et en bas de la porte. Un espace minimum de 1" (2,5 cm) est nécessaire à l'avant de la sècheuse et, pour la plupart des installations, un espace de 5" (12,7 cm) est nécessaire à l'arrière de la sècheuse. Voir les Instructions d'installation.
- **Le réglage de température Air Only (air seulement) a-t-il été sélectionné?**  
Choisir la température correcte pour les types de vêtements à sécher. Voir "Caractéristiques supplémentaires".
- **La charge est-elle trop grosse et trop lourde pour sécher rapidement?**  
Séparer la charge pour qu'elle culbute librement.

## Temps de programme trop court

### ⚠ AVERTISSEMENT

#### Risque du poids excessif

**Utiliser deux ou plus de personnes pour déplacer et installer la sècheuse.**

**Le non-respect de cette instruction peut causer une blessure au dos ou d'autre blessure.**

- **Le programme automatique se termine-t-il trop tôt?**  
La charge n'est peut-être pas en contact avec les bandes de détection. Régler l'aplomb de la sècheuse.  
Modifier le réglage du degré de séchage pour les programmes automatiques.  
L'augmentation ou la diminution du degré de séchage modifiera la durée de séchage d'un programme.

## Charpie sur la charge

- **Le filtre à charpie est-il obstrué?**  
Nettoyer le filtre à charpie. Vérifier le mouvement de l'air.

## Taches sur la charge ou sur le tambour

- **L'assouplissant de tissus pour sècheuse a-t-il été utilisé correctement?**  
Ajouter les feuilles d'assouplissant de tissus au début du programme. Les feuilles d'assouplissant de tissus ajoutées à une charge partiellement sèche peuvent tacher les vêtements.  
  
Les taches sur le tambour sont dues aux teintures contenues dans les vêtements (les jeans en général). Il n'y aura pas de transfert sur les autres vêtements.

## Charges froissées

- **La charge a-t-elle été retirée de la sècheuse à la fin du programme?**  
Sélectionner le programme Custom Refresh (rafraîchissement personnalisé) pour faire culbutter la charge avec de l'eau et de la chaleur pour aider à défroisser les plis d'une charge laissée dans la sècheuse.
- **La sècheuse a-t-elle été surchargée?**  
Faire sécher de plus petites charges qui peuvent culbutter librement.

## Odeurs

- **Avez-vous récemment employé peinture, teinture ou vernis dans la pièce où est installée votre sècheuse?**  
Si c'est le cas, aérer la pièce. Une fois les odeurs ou émanations disparues, laver et sécher à nouveau les vêtements.

### ■ La sècheuse est-elle utilisée pour la première fois?

Le nouvel élément de séchage électrique peut émettre une odeur. L'odeur disparaîtra après le premier programme.

## ASSISTANCE OU SERVICE

Avant de faire un appel pour assistance ou service, veuillez vérifier la section "Dépannage". Cette vérification peut vous faire économiser le coût d'une visite de service. Si vous avez encore besoin d'aide, suivez les instructions ci-dessous.

Lors d'un appel, veuillez connaître la date d'achat et les numéros de modèle et de série complets de votre appareil. Ces renseignements nous aideront à mieux répondre à votre demande.

### Si vous avez besoin de pièces de rechange

Si vous avez besoin de commander des pièces de rechange, nous vous recommandons d'utiliser exclusivement des pièces spécifiées par l'usine. Ces pièces conviendront et fonctionneront bien parce qu'elles sont fabriquées selon les mêmes spécifications précises utilisées pour fabriquer chaque nouvel appareil Maytag®.

Pour localiser des pièces de rechange spécifiées par l'usine dans votre région, composer le numéro de téléphone du Centre d'assistance à la clientèle de Maytag Services, LLC ou appeler le centre de service désigné par Maytag le plus proche.

### Aux États-Unis

Téléphoner sans frais au Centre d'assistance à la clientèle de Maytag Services, LLC au : **1-800-688-9900**.

#### Nos consultants fournissent de l'assistance pour :

- Caractéristiques et spécifications de notre gamme complète d'appareils ménagers
- Renseignements d'installation
- Consignes d'utilisation et d'entretien
- Vente d'accessoires et de pièces de rechange
- Assistance spécialisée au client (langue espagnole, malentendants, malvoyants, etc.)
- Les références aux concessionnaires, compagnies de service de réparation et distributeurs de pièces de rechange locaux. Les techniciens de service désignés par Maytag® sont formés pour remplir la garantie des produits et fournir un service après garantie partout aux États-Unis.

Pour localiser la compagnie de service désignée par Maytag® dans votre région, vous pouvez également consulter les Pages jaunes.

### Pour plus d'assistance

Si vous avez besoin de plus d'assistance, vous pouvez écrire à Maytag® en soumettant toute question ou problème à :

Maytag Services, LLC  
ATTN: CAIR® Center  
P.O. Box 2370  
Cleveland, TN 37320-2370

Dans votre correspondance, veuillez indiquer un numéro de téléphone où l'on peut vous joindre dans la journée.

### Au Canada

Veuillez appeler sans frais le Centre d'interaction avec la clientèle de Whirlpool Canada LP au : **1-800-807-6777**.

#### Nos consultants vous renseigneront sur les sujets suivants :

- Caractéristiques et spécifications sur toute notre gamme d'appareils électroménagers.
- Consignes d'utilisation et d'entretien.
- Ventes d'accessoires et pièces de rechange.
- Références aux marchands locaux, aux distributeurs de pièces de rechange et aux compagnies de service. Les techniciens de service désignés par Whirlpool Canada LP sont formés pour remplir la garantie des produits et fournir un service après la garantie, partout au Canada.

### Pour plus d'assistance

Si vous avez besoin de plus d'assistance, vous pouvez soumettre par écrit toute question ou préoccupation à Whirlpool Canada LP à l'adresse suivante :

Centre d'interaction avec la clientèle  
Whirlpool Canada LP  
1901 Minnesota Court  
Mississauga, Ontario L5N 3A7

Veuillez inclure dans votre correspondance un numéro de téléphone où on peut vous joindre dans la journée.

# GARANTIE DES GROS APPAREILS MÉNAGERS MAYTAG®

## GARANTIE LIMITÉE

Pendant un an à compter de la date d'achat, lorsque ce gros appareil ménager est utilisé et entretenu conformément aux instructions jointes à ou fournies avec le produit, la marque Maytag de Whirlpool Corporation ou Whirlpool Canada LP (ci-après désignées "Maytag") paiera pour les pièces spécifiées par l'usine et la main-d'œuvre pour corriger les vices de matériaux ou de fabrication. Le service doit être fourni par une compagnie de service désignée par Maytag. Cette garantie limitée est valide uniquement aux États-Unis ou au Canada et s'applique exclusivement lorsque l'appareil est utilisé dans le pays où il a été acheté. À l'extérieur du Canada et des 50 États des États-Unis, cette garantie limitée ne s'applique pas. Une preuve de la date d'achat original est exigée pour obtenir un service dans le cadre de la présente garantie limitée.

## ARTICLES EXCLUS DE LA GARANTIE

### La présente garantie limitée ne couvre pas :

1. Les visites de service pour rectifier l'installation du gros appareil ménager, montrer à l'utilisateur comment utiliser l'appareil, remplacer ou réparer des fusibles ou rectifier le câblage ou la plomberie du domicile.
2. Les visites de service pour réparer ou remplacer les ampoules électriques de l'appareil, les filtres à air ou les filtres à eau. Les pièces consommables ne sont pas couvertes par la garantie.
3. Les réparations lorsque le gros appareil ménager est utilisé à des fins autres que l'usage unifamilial normal ou lorsque les instructions d'installation et/ou les instructions de l'opérateur ou de l'utilisateur fournies ne sont pas respectées.
4. Les dommages imputables à : accident, modification, usage impropre ou abusif, incendie, inondation, actes de Dieu, installation fautive ou installation non conforme aux codes d'électricité ou de plomberie, ou l'utilisation de pièces consommables ou de produits nettoyants non approuvés par Maytag.
5. Les défauts apparents, notamment les éraflures, les bosses, fissures ou tout autre dommage au fini du gros appareil ménager, à moins que ces dommages soient dus à des vices de matériaux ou de fabrication et soient signalés à Maytag dans les 30 jours suivant la date d'achat.
6. Toute perte d'aliments due à une défaillance du réfrigérateur ou du congélateur.
7. Les coûts associés au transport du gros appareil ménager du domicile pour réparation. Ce gros appareil ménager est conçu pour être réparé à domicile et seul le service à domicile est couvert par la présente garantie.
8. Les réparations aux pièces ou systèmes résultant d'une modification non autorisée faite à l'appareil.
9. Les frais de transport pour le service d'un produit si votre gros appareil est situé dans une région éloignée où un service d'entretien Maytag autorisé n'est pas disponible.
10. La dépose et la réinstal
11. lation de votre gros appareil si celui-ci est installé dans un endroit inaccessible ou n'est pas installé conformément aux instructions d'installation fournies.
12. Les gros appareils ménagers dont les numéros de série et de modèle originaux ont été enlevés, modifiés ou qui ne peuvent pas être facilement identifiés. La présente garantie est nulle si le numéro de série d'usine a été modifié ou enlevé du gros appareil ménager.

Le coût d'une réparation ou des pièces de rechange dans le cadre de ces circonstances exclues est à la charge du client.

## CLAUSE D'EXONÉRATION DE RESPONSABILITÉ AU TITRE DES GARANTIES IMPLICITES; LIMITATION DES RECOURS

LE SEUL ET EXCLUSIF RECOURS DU CLIENT DANS LE CADRE DE LA PRÉSENTE GARANTIE LIMITÉE CONSISTE EN LA RÉPARATION PRÉVUE CI-DESSUS. LES GARANTIES IMPLICITES, Y COMPRIS LES GARANTIES APPLICABLES DE QUALITÉ MARCHANDE ET D'APTITUDE À UN USAGE PARTICULIER, SONT LIMITÉES À UN AN OU À LA PLUS COURTE PÉRIODE AUTORISÉE PAR LA LOI. MAYTAG N'ASSUME AUCUNE RESPONSABILITÉ POUR LES DOMMAGES FORTUITS OU INDIRECTS. CERTAINES JURIDICTIONS NE PERMETTENT PAS L'EXCLUSION OU LA LIMITATION DES DOMMAGES FORTUITS OU INDIRECTS, OU LES LIMITATIONS DE LA DURÉE DES GARANTIES IMPLICITES DE QUALITÉ MARCHANDE OU D'APTITUDE À UN USAGE PARTICULIER, DE SORTE QUE CES EXCLUSIONS OU LIMITATIONS PEUVENT NE PAS S'APPLIQUER DANS VOTRE CAS. CETTE GARANTIE VOUS CONFÈRE DES DROITS JURIDIQUES SPÉCIFIQUES ET VOUS POUVEZ ÉGALEMENT JOUIR D'AUTRES DROITS QUI PEUVENT VARIER D'UNE JURIDICTION À UNE AUTRE.

Si vous résidez à l'extérieur du Canada et des 50 États des États-Unis, contactez votre marchand Maytag autorisé pour déterminer si une autre garantie s'applique.

Si vous avez besoin de service, voir d'abord la section "Dépannage" du Guide d'utilisation et d'entretien. Après avoir vérifié la section "Dépannage", de l'aide supplémentaire peut être trouvée en vérifiant la section "Assistance ou service" ou en appelant Maytag. Aux É.-U., composer le **1-800-688-9900**. Au Canada, composer le **1-800-807-6777**.

1/08

**Conservez ce manuel et votre reçu de vente ensemble pour référence ultérieure. Pour le service sous garantie, vous devez présenter un document prouvant la date d'achat ou d'installation.**

Inscrivez les renseignements suivants au sujet de votre gros appareil ménager pour mieux vous aider à obtenir assistance ou service en cas de besoin. Vous devrez connaître le numéro de modèle et le numéro de série au complet. Vous trouverez ces renseignements sur la plaque signalétique située sur le produit.

Nom du marchand \_\_\_\_\_

Adresse \_\_\_\_\_

Numéro de téléphone \_\_\_\_\_

Numéro de modèle \_\_\_\_\_

Numéro de série \_\_\_\_\_

Date d'achat \_\_\_\_\_



**W10057352A**

© 2008

All rights reserved.

Tous droits réservés.

®Registered trademark/™ Trademark of Maytag Corporation or its related companies.

Used under license by Maytag Limited in Canada

®Marque déposée/™Marque de commerce of Maytag Corporation ou de ses compagnies affiliées.

Emploi sous licence par Maytag Limited au Canada.

6/08

Printed in U.S.A.

Imprimé aux É.-U.

