

INALSA

ELECTRIC KETTLE

**Prism
Glory**



**Instruction Manual
cum
Warranty Card**



Dear Customer,

Congratulations on the purchase of your **INALSA Electric Kettle!** This has been designed to include many superior features that permit you the fullest expression of your skill and enthusiasm. You are now on the threshold of a whole new world of pleasure.

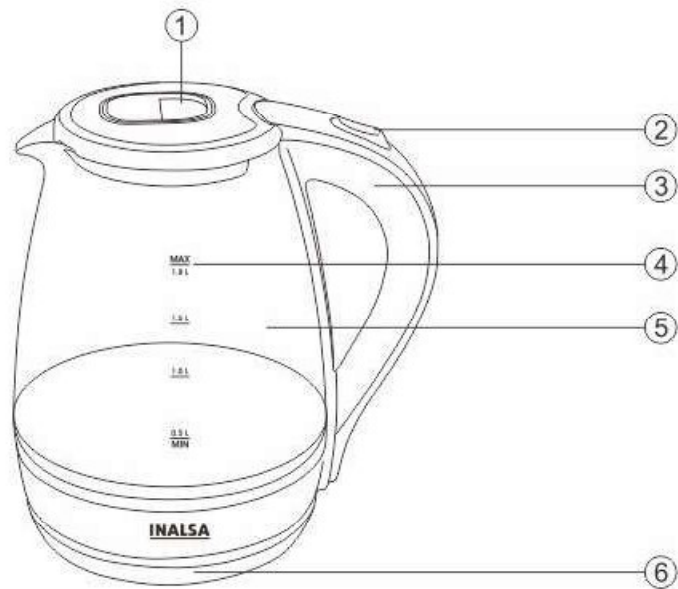
At INALSA, we have a reputation of selling innovative, high quality appliances such as Food Processors, Mixer Grinders, Juicer Mixer Grinders, Cooking Ranges, Juice Extractors, Cooktops, Oven Toaster Grillers, Hand Blenders, Electric Kettles, Rice Cookers, and Electric Chimneys. Your newly acquired **INALSA Electric Kettle** bears the same distinctive hallmark of excellence.

It is all the result of vigorous quality consciousness in INALSA's design and development where uncompromising standards are maintained and rigid quality control measures are exercised on raw materials, components and finally, the finished product.

Your **INALSA Electric Kettle** has a lot of thoughtful features built in to make your tea making convenient. Please read these instructions carefully, so that you may get the best out of the power packed features in your **INALSA Electric Kettle**.

Welcome to the INALSA world of pleasure!

Parts Identification



Part No.

Parts Name

1. Top Lid
2. Operating Lever
3. Handle
4. Water Level Mark
5. Borosilicate Glass Body
6. Power Base

Technical Specification *

Product	Electric Kettle
Model	Prism / Glory
Power	1350W
Voltage	220V, AC, 50Hz
Capacity	1.8 Litre
Housing	Borosilicate Glass
Cord Plug	PVC cord with 3 Pin moulded plug
Element	Concealed Type
Connector bass	360 ⁰ Cordless

* Due to continuous improvements in product, specifications are subject to change without prior notice.

Important Instructions

1. Please read operating instructions before using the appliance.

Do's

1. Before plugging the socket ensure that the supply voltage is in accordance with the rated one.
2. Place the appliance on a stable, level and heat resistant surface, away from hot surfaces and naked flame.
3. The kettle becomes hot during use. So hold it by the handle only.
4. Ensure that the main cable does not hang over the sharp edges and keep it away from hot objects and open flames.
5. Always make sure that lid is properly closed during the boiling operation.
6. Keep the appliance away from the children.
7. Keep the connector base away from dampness and splashes.
8. In case of any defect, contact the nearest authorized dealer/ service centre.

Don'ts

1. Do not overfill! Check the level indicator (MAX) on the main body while filling water. If the kettle is overfilled, boiling water may be ejected.
2. Do not remove the kettle from its connector base while in operation. Switch OFF the appliance first.
3. Do not remove the lid while the water is boiling.
4. Never leave the kettle unattended during operation.
5. Do not operate the kettle if the cord plug shows the signs of damage.
6. Do not immerse the kettle in water.

Before First Use

1. After unpacking the unit and before any use, make sure the mechanical parts of the kettle and all its attachments are not damaged.
2. Clean the kettle by filling it with clean water and bringing to boil. Pour away the water afterwards.
3. Carefully go through the instruction manual before starting the boiling operation.

How to Use

1. Wind out the main cord only as much as necessary. Draw it out through the opening in the base and connect it to a suitable main socket.
2. Open the lid and pour in water of desired quantity. While doing so, watch the water level mark inside the kettle. Never go below the minimum or above the maximum (MAX.) mark.

3. Close the lid and ensure that the kettle is switched OFF before setting it on the base.
4. Place the kettle on the connector base and switch ON the supply. The indicator LED light will glow 'ON'
5. When the water boils the appliance will shut off power automatically and the indicator LED light will go OFF.
6. When the water boils the temperature control mechanism operates to stop the boiling operation. The boiling operation can be started again by pressing the operating button after 40-50 seconds. During the appliance cool down do not press the operating button or the appliance will be damaged.
7. Unplug the kettle from the socket when not in use.

Safety features

Boil dry protection

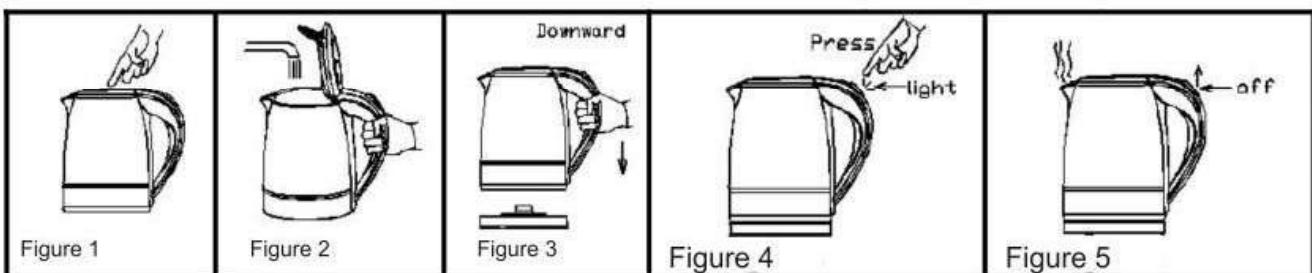
The kettle is incorporated with "automatic steam switch off" and "boil dry protection". In case you switch 'ON' the kettle with too little water, auto shut off device will automatically operate within 10-15 seconds after whole water is evaporated and kettle is switched OFF. Let the kettle cool down before refilling and then press the button to start the boiling process again. If you find drops of water under the kettle, do not worry as it is just condensation.

Warning

1. This kettle is meant for boiling water ONLY.
2. This kettle is for domestic use ONLY.

Cleaning and Maintenance

1. Always remove the plug from the mains socket before cleaning the base. Let the kettle to cool down completely.
2. Descale at regular intervals. Use a descaling agent.
3. Clean the outside of the kettle and the base with a soft dry cloth. Do not use an abrasive material for cleaning the kettle.
4. The kettle must be dried completely before storage.
5. In case of any defect do not tamper with the appliance yourself. Contact the nearest authorized dealer / company service centre.



WARRANTY

The **INALSA “Electric Kettle”** is fully warranted against any manufacturing defect for a period of **TWO YEARS** from the date of purchase. Should any defect develop in the **Electric Kettle** during the warranty period, TUAREG MARKETING PVT. LTD. undertakes to get the **Electric Kettle** or any part thereof, repaired at any of its Authorised Service Center.

The above warranty shall be subject to the following terms and conditions:

1. Any defective product or part thereof will be repaired within the above stated warranty period on receipt of the same with this card duly filled in and stamped by dealer from whom the product was purchased along with the purchase bill/ invoice, provided the product is brought to our nearest service center freight paid and packed securely.
2. In the event of repairs/ replacement of any part of product, this warranty will thereafter continue and remain in force only for the unexpired period of warranty.
3. This warranty is valid only when:-
 - The product is purchased from the company's authorized dealer and accompanied by this warranty card / cash memo.
 - The product has been serviced by the INALSA's authorized service personnel.
 - The product has been used and maintained in accordance with the instruction manual.
4. The warranty does not apply to :-
 - Normal wear and tear of the product
 - Damage due to chipping, peeling, plating and denting.
 - Damages arising due to running of the appliances on the alternate sources of power such as Inverter, generator or any such auxiliary power supply aid resulting in variation/ fluctuating voltage
 - Breakage or damage to components made of ABS, SAN, Bakelite, Glass and such plastic/rubber parts, cord, bulbs and surface coating.
 - Damages resulting from accidents, mishandling or negligence on the part of the customer
 - Product if used for the commercial purposes.
 - Product, the serial number of which has been removed obliterated or altered on the specification plate.
5. The warranty is in lieu of all other warranty, expressed or implied and does not cover indirect or consequential damages/ loss.

WARRANTY CARD

Product : **ELECTRIC KETTLE**

Model : **PRISM / GLORY**

Serial No

Date of purchase.....

Bill/ Cash Memo no.....

Purchaser' name.....

Address.....

.....

.....

Dealer's stamp and Signature



Customer Care Number (Timing: 9:30 to 5:30) (Mon - Sat)

9773982065

INALSA

TUAREG MARKETING PVT. LTD.

154, Bhalswa, Delhi- 110033