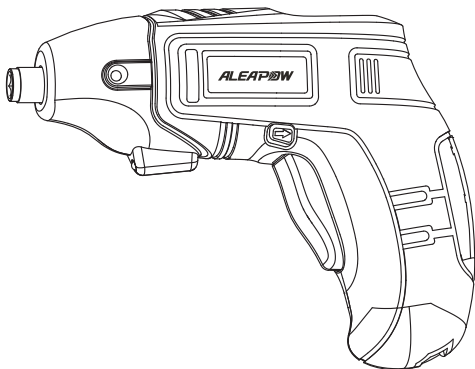


# **ALEAP®W**

## **User Manual**

### **CORDLESS SCREWDRIVER**



Model: O2  
ID:PLSL-167

# Contents

---

English	01~11
Deutsch	12~23
Français	24~32
Español	33~43
Italiano	44~54

---

## How to use these instructions

All of the necessary diagrams can be found on the first pages of this set of instructions. Within the descriptions, you will be directed by cross-references to the appropriate diagrams.

## Before you begin...

### Intended use

When used for its intended purpose, this device corresponds to the state of the art, as well as to the current safety requirements at the time of its introduction.

This device is intended for fastening and removing screws.

The device is not suitable for commercial or industrial use.

Any other type of use is inappropriate. Improper use or modifications to the device or the use of components that are not tested and approved by the manufacturer may result in unforeseen damage!

Any use that deviates from its intended use and is not included in these instructions is considered unauthorised use and relieves the manufacturer from his or her legal liability.

## What are the meanings of the symbols used ?

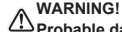
Danger notices and information are clearly marked throughout these instructions for use. The following symbols are used:



**DANGER!**

**Direct danger to life and risk of injury!**

Directly dangerous situation that may lead to death or severe injuries.



**WARNING!**

**Probable danger to life and risk of injury!**

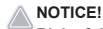
Generally dangerous situation that may lead to death or severe injuries.



**CAUTION!**

**Possible risk of injury!**

Dangerous situation that may lead to injuries.



**NOTICE!**

**Risk of damage to the device!**

Situation that may lead to property damage.



**Note:**

Information to help you reach a better understanding of the processes involved.

## For your safety

General safety instructions

- To operate this device safely, the user must have read and understood these instructions for use before using the device for the first time.
- If you sell or pass the device on, you must also hand over these operating instructions.

## General safety information for power tools



### WARNING!

Read all instructions.

Failure to follow all instructions listed below may result in electric shock, fire and/or serious injury.

• **Store all safety notes and safety instructions for future reference.** The term power tool in all of the warnings listed below refers to your mains operated (corded) power tool or battery operated (cordless) power tool.

## Safety at work

• **Keep work area clean and well lit.**

Cluttered and dark areas invite accidents.

• **Do not operate power tools in explosive atmospheres, such as in the presence of flammable liquids, gasses or dust.** Power tools create sparks, which may ignite the dust or fumes.

• **Keep children and bystanders away while operating a power tool.** Distractions can cause you to lose control.

## Electrical safety

• **Power tool plugs must match the outlet. Never modify the plug in any way. Do not use any adapter plugs with earthed (grounded) power tools.** Unmodified plugs and matching outlets will reduce risk of electric shock.

• **Avoid body contact with earthed or grounded surfaces such as pipes, radiators, ranges and refrigerators.** There is an increased risk of electric shock if your body is earthed or grounded.

• **Do not expose power tools to rain or wet conditions.** Water entering a power tool will increase the risk of electric shock.

• **Do not abuse the cord. Never use the cord for carrying, pulling or unplugging the power tool. Keep cord away from heat, oil, sharp edges or moving parts.** Damaged or entangled cords increase the risk of electric shock.

• **When operating a power tool outdoors, use an extension cord suitable for outdoor use.**

Use of a cord suitable for outdoor use reduces the risk of electric shock.

• **If operating a power tool in a damp location is unavoidable, use a residual current device (RCD) protected supply.** Use of an RCD reduces the risk of electric shock.

## Personal safety

• **Stay alert, watch what you are doing and use common sense when operating a power tool.**

**Do not use a power tool while you are tired or under the influence of drugs, alcohol or medication.** A moment of inattention while operating power tools may result in serious personal injury.

• **Use safety equipment. Always wear eye protection.** Safety equipment such as dust mask, non-skid safety shoes, hard hat, or hearing protection used for appropriate conditions will reduce personal injuries.

• **Avoid accidental starting. Ensure the switch is in the off position before plugging in.** Carrying power tools with your finger on the switch or plugging in power tools that have the switch on invites accidents.

• **Remove any adjusting key or wrench before turning the power tool on.** A wrench or a key

left attached to a rotating part of the power tool may result in personal injury.

- **Do not overreach. Keep proper footing and balance at all times.** This enables better control of the power tool in unexpected situations.
- **Dress properly. Do not wear loose clothing or jewellery. Keep your hair, clothing and gloves away from moving parts.** Loose clothes, jewellery or long hair can be caught in moving parts.
- If devices are provided for the connection of dust extraction and collection facilities, ensure these are connected and properly used. Use of these devices can reduce dust related hazards.

## Power tool use and care

- **Do not force the power tool. Use the correct power tool for your application.** The correct power tool will do the job better and safer at the rate for which it was designed.
- **Do not use the power tool if the switch does not turn it on and off.** Any power tool that cannot be controlled with the switch is dangerous and must be repaired.
- **Disconnect the plug from the power source before making any adjustments, changing accessories, or storing power tools.** Such preventive safety measures reduce the risk of starting the power tool accidentally.
- **Store idle power tools out of the reach of children and do not allow persons unfamiliar with the power tool or these instructions to operate the power tool.** Power tools are dangerous in the hands of untrained users.
- **Maintain power tools. Check for misalignment or binding of moving parts, breakage of parts and any other condition that may affect the power tools operation. If damaged, have the power tool repaired before use.** Many accidents are caused by poorly maintained electrical tools.
- **Keep cutting tools sharp and clean.** Properly maintained cutting tools with sharp cutting edges are less likely to bind and are easier to control.
- **Use the power tool, accessories and tool bits etc. in accordance with these instructions and in the manner intended for the particular type of power tool, taking into account the working conditions and the work to be performed.** Use of the power tool for operations different from intended could result in hazardous situation.

## Battery tool use and care

- **Recharge only with the charger specified by the manufacturer.** A charger that is suitable for one type of battery pack may create a risk of fire when used with another battery pack.
- **Use power tools only with specifically designated battery packs.** Use of any other battery packs may create a risk of injury and fire.
- **When battery pack is not in use, keep it away from other metal objects, like paper clips, coins, keys, nails, screws or other small metal objects, that can make a connection from one terminal to another.** Shorting the battery terminals together may cause burns or a fire.
- **Under abusive conditions, liquid may be ejected from the battery; avoid con-tact. If contact accidentally occurs, flush with water. If liquid contacts eyes, additionally seek medical help.** Liquid ejected from the battery may cause irritation or burns.
- **Do not open the rechargeable battery.** The rechargeable battery can be damaged by improper handling.
- **Do not expose the rechargeable battery to heat, fire, water and humidity.** There is a danger

of explosion.

- **Vapours may escape in case of damage or improper use of the rechargeable battery. Provide good ventilation and seek medical assistance in case any symptoms occur.** The vapours can irritate your respiratory tract and cause illness.
- **Never attempt to charge non rechargeable batteries.** There is a danger of fire and explosion.
- **The rechargeable battery may only be used in conjunction with this electrical tool.** Other electrical tools can overload and hence damage the rechargeable battery.
- **Only chargers approved by the manufacturer with the values stated on the type plate of the rechargeable battery may be used.** The use of deviating chargers can pose the risk of injuries and material damage caused by exploding batteries.

## Safety information for chargers

- **Keep the charger away from rain and wet.** The risk of electric shock increases if water penetrates a charging device.
- **Keep the charging device clean.** Soiling involves the danger of an electric shock.
- **Check the charging device, cable and plug before each use.** Do not use the charging device if you detect any damage.
- **Do not open the charging device your-self and only have it repaired by qualified professionals and only with original spare parts.** Damaged charging devices, cables and plugs increase the risk of electric shock.
- **Do not use the charging device on easily flammables items (e.g. paper, textiles etc.) or in combustible atmospheres.** There is a danger of fire due to the heating of the charging device during the charging process.
- **Supervise children and make sure that they do not play with the charger. Children and persons with mental or physical restrictions may only use the charger under supervision or after having been instructed how to use it.** Careful instruction reduces the risk of incorrect operation and injuries.

## Service

- **Have your power tool serviced by a qualified repair person using only identical replacement parts.** This will ensure that the safety of the power tool is maintained.

## Safety Warnings for Drills and Screw-drivers

- **Hold power tool by insulated gripping surfaces, when performing an operation where the cutting accessory or fastener may contact hidden wiring.** Cutting accessory and fasteners contacting a live wire may make exposed metal parts of the power tool live and could give the operator an electric shock.

## Additional safety notes

- **Prior to starting work, use appropriate tool to determine whether there are any hidden supply lines located on the area you are working in. If in doubt, ask the relevant supply services.** Contact with power lines may cause fire and electrical shock. Damaging a gas pipe may cause an explosion. Damaging a water pipe leads to considerable property damage and may cause electrical shock.
- **Immediately switch off the power tool when it becomes blocked. Be prepared for sudden**

**forces occurring which may cause kickback.** The insert tool blocks, for example, due to overloading or tilting.

- **Hold the power tool firmly.** When tightening and undoing screws, high forces may occur for a short time.

- **Secure the work piece.** Use tensioning equipment or a vice to secure the work piece to help prevent kickback or uncontrolled flying of the work piece (e.g. when getting jammed in the work piece).

- **Never set the power tool down before the tool has come to a completed standstill.** The rotating tool may come into contact with the surface and cause you to lose control over the power tool

- **Do not open the battery.** The battery may be damaged as a result of improper actions.

- **Do not expose the battery to heat, fire, water and damp.** There is a risk of explosion

- **In the event of damage or incorrect use of the battery, vapours may escape. Make sure that the ventilation is good and, if you have any medical complaints, consult a doctor.** These vapours may irritate the air passages and cause illness.

- **Never attempt to recharge batteries that are not designated rechargeable.** There is a risk of fire and explosion

- **The battery may only be used in conjunction with this power tool.** Other power tools may overload the battery and thus damage it.

- **Only batteries authorised by the manufacturer with the values listed on the type plate of this power tool may be used.** The use of a different battery may cause a risk of injuries and property damage as a result of an exploding battery.

- **Only chargers authorised by the manufacturer with the values listed on the type plate of this battery may be used.** The use of a different charger may cause a risk of injuries and property damage as a result of an exploding battery.

- **Keep your workplace clean.** Mixed contamination by various materials is particularly dangerous. Light metal dust (e.g. aluminium) can ignite or explode easily.

- **Inform yourself about the materials to be processed and any dusts and vapours that may be generated. Do not breathe in even small amounts of the generated dusts and vapours.**

When processing certain materials (various metals, minerals or woods as well as weather protecting paints) damaging/poisonous dusts may be generated which can cause allergic reactions or serious illness. Do not breathe these dusts and vapours in and avoid all contact. Materials containing asbestos may only be processed by specialists.

- **Set the switch for right/left rotation to the central position before carrying out any work on the power tool (e.g. maintenance, changing a tool) and during transportation of storage of the item.** Unintentional activation of the On/Off switch may cause a risk of injury.

- **First activate the power tool after it has been placed on the screw.** If the inserted tool is already rotating when you attempt to position it, it may slip

- **Do not leave tools, objects or cable laying around in the vicinity of the device.** If you stumble, you may injure yourself on the power tool.

- **When working with the device make sure the area is well lit.** Bad vision can result in injuries caused by the power tool.

- **Only use drill and screwdriver bits authorised by the manufacturer.** The use of different drill and screwdriver bits may cause a risk of injuries and damages to the power tool. Make sure that the drills and screwdriver bits are securely installed before switching on the device.

- **Keep cutting tools sharp and clean.** Properly maintained cutting tools with sharp cutting edges are less likely to jam and are easier to control.
- **Prevent overheating of the device and the work piece.** Excess heat may damage the tool and the device.
- **Never use power tool near flammable materials.** Sparks may set fire to these materials.
- **Keep the handles dry and free of grease.** Slippery handles can lead to accidents.
- **Do not use accessories that have not been designed and recommended by the manufacturer for this specific power tool.** Just because you are able to attach an accessory to your power tool this does not guarantee that it is safe to use
- **The permitted revolutions of the tool must be at least as high as the highest revolutions specified on the power tool.** Accessories that rotate faster than they are permitted to may break and fly and thus cause injuries.
- Remember that moving parts may also be located behind ventilation and venting slots.
- Symbols affixed to your unit may not be removed or covered. Information on the unit that is no longer legible must be replaced immediately.



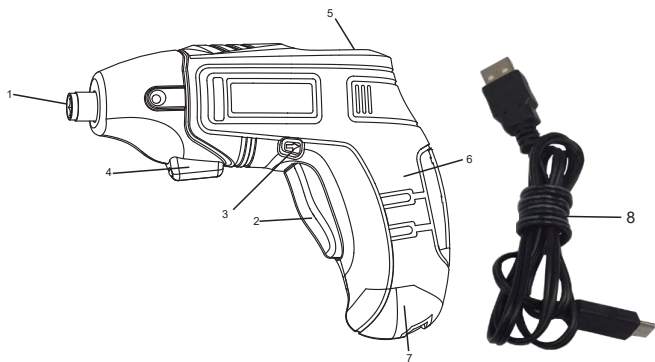
Before putting the unit into operation, read and observe the instructions for use.



**Risk of damage to the eyes! Never look directly into the LED.**

## Technical data

Chuck size	6.35mm
Torque	5Nm
Speed	200 / min
Charging time	3-4hr
Voltage	3.6V
Battery Type	Li-ion
USB Output data	DC5V, <2A



1. Bit holder
2. On /off switch
3. Rotation selector
4. LED light
5. Battery Level
6. handle
7. Micro USB Socket
8. USB Cable



**Note:**

If any one of the parts is missing or damaged, contact the retailer.

## Using for the first time

### Charging the battery pack

**NOTICE!**



**Risk of damage to the unit!**

Do not allow the battery pack to deep discharge.

**NOTICE!**



**Risk of damage to the unit!**

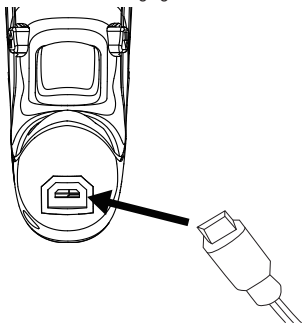
Do not press the On/Off switch after the device has deactivated automatically

**Note:**

The Li-Ion battery pack can be charged at any time without affecting the lifetime of the unit. Interrupting the charging process will not damage the battery pack.

• **The battery pack must be charged prior to the first start-up**

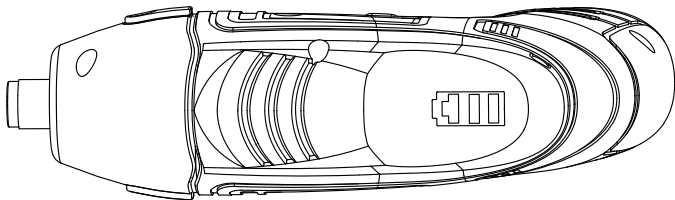
1. Connect the charging cable's micro USB connection to the screwdriver socket.



2. Connect the charging cable's USB connection to the computer's USB port or a USB charger for a wall socket (sold separately).

Note: under different output electric current, the charging time will different.

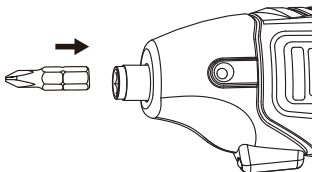
3. The battery level is shown during the charging. When the battery level shows max the charging is ready.



## Operation

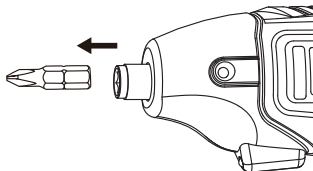
### Inserting bits

1. Insert the bit in the magnetic bit holder.
2. Gently pull on the bit to check that it is properly fitted and does not come loose



### Removing bits

1. Pull hard on the bit so that it comes loose from the magnetic bit holder.



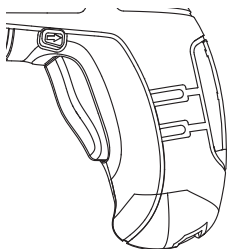
### Changing the rotation direction

#### NOTICE!

Risk of damage to the unit!

Only use the rotation direction switch when the device is at a standstill

1. To screw screws into place, push the rotation direction switch (3) to the Left (rotation in clockwise direction).
2. To remove screws, push the rotation direction switch (3) to the Right (rotation in an anti-clockwise direction).



If the rotation direction switch is in the middle position, the On/Off switch (2) is blocked.

### Check before switching on!

Check to make sure the device is in a safe operating condition:

- Check to make sure there are no visible defects.
- Check to make sure all device components are correctly mounted.

### Switching on and off

- To start the tool turning, press the On/Off button
- The LED (4) will light up.
- To switch the unit off, release the On/Off switch

### Screwdriver action

- Keep the device in a straight line to the screw.

#### Note:

Always use the screw bit designed for the screw. If you use the incorrect bit, you may damage the head of the screw.

## Cleaning

### Cleaning overview

Regularly and according to the operating conditions

What ?	How ?
Clean the ventilation slots of the motor to remove dust.	Use a vacuum, cleaning brush or paint brush.
Clean the device.	Wipe the unit with a damp cloth.

### Preparing for disposal


#### Removing the battery

At the end of the device lifetime, you should remove all batteries before disposing of the item.

- To remove the batteries from the unit, operate the on/off switch (2) until the batteries are fully discharged.
- Remove the screws on the housing and remove the housing shell.
- Separate the connections on the batteries and remove.
- Dispose of the batteries in accordance with the regulations.

## Disposal

### Disposal of the appliance

 Appliances which are labeled with the adjacent symbol must not be disposed of in household waste. You must dispose of such old electrical and electronic equipment separately.

- Please check with your local authority about the possibilities for correct disposal.

Through separate disposal you send old equipment for recycling or for other forms of re-use.

You will thus help to avoid in some cases that damaging material gets into the environment.

### **Disposal of the packaging**

The packaging consists of cardboard and correspondingly marked plastics that can be recycled.



– Make these materials available for recycling

### **Disposal of batteries and accumulators**

Disused batteries and accumulators do not belong in domestic refuse; they must be disposed of as prescribed by regulations.



– Bring batteries which are no longer usable to the battery collection point of the dealer or of your local authority.

– Do not burn accumulators. Risk of explosion

## Über diese Gebrauchsanweisung

Alle benötigten Abbildungen sind auf den vorderen Seiten der Gebrauchsanweisung zu finden. Im Verlauf enthält die Gebrauchsanweisung Querverweise zu diesen Abbildungen.

## Bevor Sie beginnen...

### Zweckgemäßer Gebrauch

Das Gerät enthält Technik des neuesten Standes, und erfüllt die aktuell geltenden Sicherheitsregelungen sofern es nicht zweckentfremdet wird.

Dieses Gerät ist vorgesehen für das Befestigen und Lösen von Schrauben.

Dieses Gerät ist nicht passend für einen kommerziellen oder industriellen Einsatz.

Jede andere Art der Verwendung ist unangemessen. Falsche Bedienung oder Modifikationen am Gerät oder die Benutzung nicht vom Hersteller getesteter und genehmigter Komponenten können unvorhergesehene Schäden verursachen!

Jegliche vom vorgesehenen Zweck abweichende und nicht in der Gebrauchsanweisung beschriebene Benutzung ist als nicht autorisiert anzusehen und entlastet den Hersteller von seiner gesetzlichen Haftung.

## Bedeutung der Symbole

Gefahrenhinweise und Informationen sind in dieser Gebrauchsanweisung eindeutig markiert. Die folgenden Symbole kommen zum Einsatz:



### **GEFAHR!**

#### **Direkte Verletzungs- und Lebensgefahr!**

Sehr gefährliche Situation welche zum Tod oder schweren Verletzungen führen kann.



### **WARNUNG!**

#### **Verletzungs- und Lebensgefahr!**

Gefährliche Situation welche zum Tod oder schweren Verletzungen führen kann.



### **VORSICHT!**

#### **Verletzungsgefahr!**

Gefährliche Situation mit Verletzungsgefahr.



### **BEACHTEN!**

#### **Beschädigungsgefahr!**

Situation mit Beschädigungsgefahr für das Gerät.



### **Information:**

Informationen für ein besseres Verständnis der Vorgänge.

## Für Ihre Sicherheit

Allgemeine Sicherheitshinweise

- Um das Gerät sicher zu bedienen, muss vor der ersten Benutzung diese Gebrauchsanweisung gelesen und verstanden werden.
- Wenn das Gerät verkauft oder abgegeben wird, muss unbedingt diese Gebrauchsanweisung übergeben werden.

## Generelle Sicherheitshinweise für elektrische Werkzeuge



### WARNUNG!

Lesen Sie alle Anweisungen.

Ver säumen beim Verfolgen der folgenden Anweisungen kann Stromschläge, Feuer, und/oder schwere Verletzungen nach sich ziehen.

• **Bewahren Sie alle Sicherheitshinweise und Sicherheitsanweisungen für zukünftige Bezugnahme auf.** Der Begriff Elektrowerkzeug bezieht sich in allen unten aufgeführten Warnungen auf Ihr netzbetriebenes (kabelgebundenes) Elektrowerkzeug oder batteriebetriebenes (kabelloses) Elektrowerkzeug.

### Arbeitssicherheit

- **Halten Sie den Arbeitsbereich sauber und gut beleuchtet.**
- **Unübersichtliche und dunkle Bereiche laden zu Unfällen ein.**
- **Betreiben Sie Elektrowerkzeuge nicht in explosionsgefährdeten Bereichen, z. B. in der Nähe von brennbaren Flüssigkeiten, Gasen oder Staub.** Elektrowerkzeuge erzeugen Funken, die den Staub oder Rauch entzünden können.
- **Halten Sie Kinder und andere Personen bei der Arbeit mit einem Elektrowerkzeug fern.** Ablenkungen können dazu führen, dass Sie die Kontrolle verlieren.

### Elektrische Sicherheit

- **Die Stecker des Elektrowerkzeugs müssen mit der Steckdose übereinstimmen. Verändern Sie niemals den Stecker in irgendeiner Weise.** Verwenden Sie keine Adapterstecker mit geerdeten Elektrowerkzeugen. Unmodifizierte Stecker und passende Steckdosen verringern das Risiko eines Stromschlags.
- **Vermeiden Sie Körperkontakt mit geerdeten oder geerdeten Oberflächen wie Rohren, Heizkörpern, Herden und Kühlschränken.** Es besteht ein erhöhtes Risiko eines elektrischen Schlags, wenn Ihr Körper geerdet ist.
- **Setzen Sie Elektrowerkzeuge nicht Regen oder Nässe aus.** Wasser, das in ein Elektrowerkzeug eindringt, erhöht das Risiko eines Stromschlags.
- **Missbrauchen Sie nicht das Kabel. Verwenden Sie das Kabel niemals zum Tragen, Ziehen oder Ausstöpseln des Elektrowerkzeugs. Halten Sie das Kabel fern von Hitze, Öl, scharfen Kanten oder beweglichen Teilen.** Beschädigte oder verwickelte Kabel erhöhen das Risiko eines Stromschlags.
- **Wenn Sie ein Elektrowerkzeug im Freien verwenden, verwenden Sie ein für den Außenbereich geeignetes Verlängerungskabel.** Die Verwendung eines für den Einsatz im Freien geeigneten Kabels verringert das Risiko eines Stromschlags.
- **Wenn der Betrieb eines Elektrowerkzeugs an einem feuchten Ort unvermeidbar ist, verwenden Sie eine Fehlerstromschutzeinrichtung (RCD).** Die Verwendung eines FI-Schutzschalters reduziert das Risiko eines Stromschlags.

### Persönliche Sicherheit

- **Blieben Sie wachsam, beobachten Sie, was Sie tun, und verwenden Sie gesunden Menschenverstand, wenn Sie ein Elektrowerkzeug bedienen. Verwenden Sie kein Elektrowerkzeug, wenn Sie müde sind oder unter dem Einfluss von Drogen, Alkohol oder Medikamenten stehen.** Ein Moment der Unachtsamkeit beim Betrieb von Elektrowerkzeugen

kann zu schweren Verletzungen führen.

- **Verwenden Sie Sicherheitsausrüstung.** Tragen Sie immer einen Augenschutz. Sicherheitsausrüstung wie Staubschutzmaske, rutschfeste Sicherheitsschuhe, Schutzhelm oder Gehörschutz, die für angemessene Bedingungen verwendet werden, reduzieren Personenschäden.
- **Vermeiden Sie versehentliches Starten. Stellen Sie sicher, dass der Schalter ausgeschaltet ist, bevor Sie das Gerät einstecken.** Das Tragen von Elektrowerkzeugen mit dem Finger am Schalter oder das Einstecken von Elektrowerkzeugen, die eingeschaltet sind, führt zu Unfällen.
- **Entfernen Sie alle Einstellschlüssel oder Schraubenschlüssel, bevor Sie das Gerät einschalten.** Ein Schlüssel, der an einem rotierenden Teil des Elektrowerkzeugs verbleibt, kann zu Verletzungen führen.
- **Übernehmen Sie sich nicht. Halten Sie jederzeit den richtigen Stand und das Gleichgewicht. Dies ermöglicht eine bessere Kontrolle des Elektrowerkzeugs in unerwarteten Situationen.**
- **Ziehen Sie geeignete Kleidung an. Tragen Sie keine lose Kleidung oder Schmuck. Halten Sie Haare, Kleidung und Handschuhe von beweglichen Teilen fern.** Lose Kleidung, Schmuck oder lange Haare können sich in beweglichen Teilen verfangen.
- **Wenn Sie Geräte zur Entstaubung oder Schmutzsammlung verwenden, stellen Sie sicher, dass diese angeschlossen sind und ordnungsgemäß verwendet werden.** Die Verwendung dieser Geräte kann staubbezogene Gefahren reduzieren.

## **Gebrauch und Pflege von Elektrowerkzeugen**

- **Forcieren Sie das Elektrowerkzeug nicht. Verwenden Sie das richtige Elektrowerkzeug für den richtigen Zweck.** Das richtige Elektrowerkzeug wird die Arbeit mit der Geschwindigkeit, für die es entwickelt wurde, besser und sicherer machen.
- **Verwenden Sie das Elektrowerkzeug nicht, wenn der Schalter es nicht ein- und ausschaltet.** Jedes Elektrowerkzeug, das nicht mit dem Schalter gesteuert werden kann, ist gefährlich und muss repariert werden.
- **Trennen Sie den Stecker von der Stromquelle, bevor Sie Einstellungen vornehmen, Zubehörteile austauschen oder Elektrowerkzeuge aufbewahren.** Solche vorbeugenden Sicherheitsmaßnahmen verringern das Risiko, das Elektrowerkzeug versehentlich zu starten.
- **Lagern Sie ausgeschaltete Elektrowerkzeuge außerhalb der Reichweite von Kindern und lassen Sie Personen, die mit dem Elektrowerkzeug oder diesen Anweisungen nicht vertraut sind, das Elektrowerkzeug nicht benutzen.** Elektrowerkzeuge sind in den Händen ungeübter Benutzer gefährlich.
- **Pflegen Sie Elektrowerkzeuge. Achten Sie auf fehlerhafte Orientierung von beweglichen Teilen, Bruch von Teilen oder anderen Auffälligkeiten, die die Funktion des Gerätes beeinträchtigen können. Bei Beschädigung des Elektrowerkzeug vor dem Gebrauch reparieren lassen.** Viele Unfälle werden durch schlecht gewartete Elektrowerkzeuge verursacht.
- **Schneidwerkzeuge scharf und sauber halten.** Richtig gepflegte Schneidwerkzeuge mit scharfen Schneidkanten blockieren seltener und sind leichter zu kontrollieren.
- **Verwenden Sie das Elektrowerkzeug, das Zubehör, die Bits usw. gemäß dieser Anleitung und in der Weise, die für den jeweiligen Typ des Elektrowerkzeugs vorgesehen ist, unter Berücksichtigung der Arbeitsbedingungen und der durchzuführenden Arbeiten.** Die Verwendung des Elektrowerkzeugs für einen anderen als den vorgesehenen Zweck kann zu einer

gefährlichen Situation führen.

## **Verwendung und Pflege der Batterie**

- **Laden Sie nur mit dem vom Hersteller angegebenen Ladegerät auf.** Ein Ladegerät, das für einen Akkutyp geeignet ist, kann bei Verwendung mit einem anderen Akkupack Brandgefahr darstellen.
- **Verwenden Sie Elektrowerkzeuge nur mit speziell dafür vorgesehenen Batteriepacks.** Die Verwendung anderer Batteriepacks kann zu Verletzungen und Feuer führen.
- **Wenn der Akku nicht verwendet wird, halten Sie ihn von Metallgegenständen, wie Büroklammern, Münzen, Schlüsseln, Nägeln, Schrauben oder anderen kleinen Metallgegenständen fern, die eine Verbindung von einem Batteriepol zu einem anderen herstellen können.** Kurzschließen der Batterieklappen kann zu Verbrennungen oder einem Brand führen.
- **Unter missbräuchlichen Bedingungen kann Flüssigkeit aus der Batterie ausgestoßen werden; Kontakt unbedingt vermeiden! Bei versehentlichem Kontakt mit Wasser spülen. Wenn Flüssigkeit mit den Augen in Kontakt kommt, suchen Sie zusätzlich medizinische Hilfe auf.** Aus der Batterie ausgestoßene Flüssigkeit kann Reizungen oder Verbrennungen verursachen.
- **Öffnen Sie den Akku nicht.** Der Akku kann durch unsachgemäße Handhabung beschädigt werden.
- **Setzen Sie den Akku nicht Hitze, Feuer, Wasser und Feuchtigkeit aus.** Es besteht Explosionsgefahr.
- **Bei Beschädigung oder unsachgemäßem Gebrauch des Akkus können Dämpfe austreten. Sorgen Sie für gute Belüftung und suchen Sie medizinische Hilfe auf, falls irgendwelche Symptome auftreten.** Die Dämpfe können die Atemwege reizen und Krankheiten verursachen.
- **Versuchen Sie niemals, nicht aufladbare Batterien aufzuladen.** Es besteht Brand- und Explosionsgefahr.
- **Der Akku darf nur in Verbindung mit diesem Elektrowerkzeug verwendet werden.** Andere Elektrowerkzeuge können den Akku überlasten und somit beschädigen.
- **Es dürfen nur Ladegeräte verwendet werden, die vom Hersteller mit den auf dem Typenschild des Akkus angegebenen Werten zugelassen sind.** Durch den Einsatz abweichender Ladegeräte besteht die Gefahr von Verletzungen und Materialschäden durch explodierende Batterien.

## **Sicherheitsinformationen für Ladegeräte**

- **Halten Sie das Ladegerät von Regen und Nässe fern.** Die Gefahr eines Stromschlags steigt, wenn Wasser in ein Ladegerät eindringt.
- **Halten Sie das Ladegerät sauber.** Verschmutzungen bergen die Gefahr eines elektrischen Schlages.
- **Überprüfen Sie das Ladegerät, das Kabel und den Stecker vor jeder Verwendung.** Verwenden Sie das Ladegerät nicht, wenn Sie Schäden feststellen.
- **Öffnen Sie das Ladegerät nicht selbst und lassen Sie es nur von qualifiziertem Fachpersonal und nur mit Original-Ersatzteilen reparieren.** Beschädigte Ladegeräte, Kabel und Stecker erhöhen das Risiko eines Stromschlags.
- **Verwenden Sie das Ladegerät nicht in der Nähe von leicht entflammaren Gegenständen (z. B. Papier, Textilien usw.) oder in brennbaren Flüssigkeiten und Gasen.** Durch die

Erwärmung des Ladegeräts während des Ladevorgangs besteht Brandgefahr.

• **Beaufsichtigen Sie Kinder und stellen Sie sicher, dass sie nicht mit dem Ladegerät spielen. Kinder und Personen mit geistigen oder körperlichen Einschränkungen dürfen das Ladegerät nur unter Aufsicht oder nach Einweisung benutzen.** Eine sorgfältige Erklärung der Bedienung reduziert das Risiko von Fehlbedienung und Verletzungen.

## Wartung

• **Lassen Sie Ihr Elektrowerkzeug von einer qualifizierten Reparaturwerkstatt warten, die nur identische Ersatzteile verwendet.** Dies stellt sicher, dass die Sicherheit des Elektrowerkzeugs erhalten bleibt.

## Sicherheitswarnungen für Bohrer und Schraubenzieher

• **Halten Sie das Elektrowerkzeug an den isolierten Griffflächen fest, wenn Sie Arbeiten ausführen, bei denen das Schneidzubehör oder die Befestigungsvorrichtung mit versteckten Kabeln in Kontakt kommen könnten.** Schneidzubehör und Befestigungselemente, die mit einem stromführenden Draht in Kontakt kommen, können freiliegende Metallteile des Elektrowerkzeugs unter Spannung setzen und dem Benutzer einen elektrischen Schlag versetzen.

## Zusätzliche Sicherheitshinweise

• **Verwenden Sie vor Arbeitsbeginn ein geeignetes Messgerät, um festzustellen, ob sich in dem Bereich, in dem Sie arbeiten, verborgene Versorgungsleitungen befinden. Fragen Sie im Zweifelsfall die entsprechenden Versorgungsdienste.** Der Kontakt mit Stromleitungen kann zu Feuer und Stromschlägen führen. Die Beschädigung einer Gasleitung kann zu einer Explosion führen. Das Beschädigen einer Wasserleitung führt zu erheblichen Sachschäden und kann einen elektrischen Schlag verursachen.

• **Schalten Sie das Elektrowerkzeug sofort aus, wenn es blockiert ist. Seien Sie darauf vorbereitet, dass plötzliche Kräfte auftreten, die einen Rückschlag verursachen können.** Das Blockieren entsteht z. B. durch Überlastung oder Verkanten.

• **Halten Sie das Elektrowerkzeug immer gut fest.** Beim Anziehen und Lösen von Schrauben können kurzzeitig hohe Kräfte auftreten.

• **Sichern Sie das Werkstück.** Verwenden Sie eine Spannvorrichtung oder einen Schraubstock, um das Werkstück zu sichern, um ein Rückschlag oder ein unkontrolliertes Herumfliegen des Werkstücks zu verhindern (z. B. beim Einklemmen im Werkstück)

• **Setzen Sie das Elektrowerkzeug niemals ab, bevor es zum absoluten Stillstand gekommen ist.** Das rotierende Werkzeug könnte in Kontakt mit der Oberfläche kommen und Sie könnten die Kontrolle über das Elektrowerkzeug verlieren

• **Öffnen Sie den Akku nicht.** Die Batterie kann durch unsachgemäßen Gebrauch beschädigt werden.

• **Setzen Sie den Akku keiner Hitze, Feuer, Wasser oder Feuchtigkeit aus.** Es besteht Explosionsgefahr!

• **Bei Beschädigung oder falscher Verwendung des Akkus können Dämpfe austreten. Stellen Sie sicher, dass eine Belüftung gegeben ist. Wenn Sie medizinische Beschwerden haben, suchen Sie einen Arzt auf.** Diese Dämpfe können die Atemwege reizen und Krankheiten verursachen. illness.

• **Versuchen Sie niemals, Akkus aufzuladen, die nicht als wiederaufladbar gekennzeichnet**

sind. Es besteht Brand- und Explosionsgefahr

- **Der Akku darf nur in Verbindung mit diesem Elektrowerkzeug verwendet werden.** Andere Elektrowerkzeuge können den Akku überlasten und somit beschädigen.
- **Es dürfen nur vom Hersteller zugelassene Batterien mit den auf dem Typenschild dieses Elektrowerkzeugs angegebenen Werten verwendet werden.** Bei Verwendung eines anderen Akkus besteht die Gefahr von Verletzungen und Sachbeschädigungen durch eine Explosion.
- **Es dürfen nur vom Hersteller zugelassene Ladegeräte mit den auf dem Typenschild des Akkus aufgeführten Werten verwendet werden.** Bei Verwendung eines anderen Ladegeräts besteht die Gefahr von Verletzungen und Sachbeschädigungen durch eine Explosion.
- **Halten Sie Ihren Arbeitsplatz sauber.** Eine gemischte Kontamination durch verschiedene Materialien ist besonders gefährlich. Leichtmetallstaub (z. B. Aluminium) kann sich leicht entzünden oder explodieren.
- **Informieren Sie sich über die zu verarbeitenden Materialien und eventuell entstehenden Staub und Dämpfe.** Selbst kleine Mengen der erzeugten Stäube und Dämpfe sollten Sie nicht einatmen. Bei der Verarbeitung bestimmter Materialien (verschiedene Metalle, Mineralien oder Hölzer sowie Witterungsschutzfarben) können schädigende / giftige Stäube entstehen, die allergische Reaktionen oder schwere Erkrankungen verursachen können. Atmen Sie diese Stäube und Dämpfe nicht ein und vermeiden Sie jeglichen Kontakt. Asbesthaltige Materialien dürfen nur von Fachleuten verarbeitet werden.
- **Stellen Sie den Schalter für die Rechts- / Linksdrehung in die mittlere Position, bevor Sie irgendwelche Arbeiten am Elektrowerkzeug durchführen (z. B. Wartung, Bitwechsel) und während des Transports der Lagerung des Artikels.** Unbeabsichtigtes Betätigen des Ein-/Ausschalters kann zu Verletzungen führen.
- **Betätigen Sie das Gerät erst nachdem das eingesetzte Werkzeug fixiert wurde.** Wenn sich das eingeführte Werkzeug bereits dreht, während Sie versuchen, es zu fixieren, besteht Verletzungsgefahr.
- **Lassen Sie keine Werkzeuge, Gegenstände oder Kabel in der Nähe des Geräts liegen.** Wenn Sie stolpern, können Sie sich am Elektrowerkzeug verletzen.
- **Vergewissern Sie sich beim Arbeiten mit dem Gerät, dass der Bereich gut beleuchtet ist.** Eine schlechte Sicht kann zu Verletzungen durch das Elektrowerkzeug führen.
- **Verwenden Sie nur vom Hersteller empfohlene Bohr- und Schraubbits.** Die Verwendung von anderen Bohr- und Schraubbits kann zu Schäden am Elektrowerkzeug führen. Stellen Sie sicher, dass die Bohr- und Schraubbits fest installiert sind, bevor Sie das Gerät einschalten.
- **Schneidwerkzeuge scharf und sauber halten.** Richtig gepflegte Schneidwerkzeuge mit scharfen Schneidkanten verstopfen seltener und sind leichter zu kontrollieren.
- **Verhindern Sie eine Überhitzung des Geräts und des Werkstücks.** Überschüssige Hitze kann das Werkzeug und das Gerät beschädigen.
- **Verwenden Sie das Elektrowerkzeug niemals in der Nähe von brennbaren Materialien.** Funken können diese Materialien in Brand setzen.
- **Halten Sie die Griffe trocken und fettfrei.** Rutschige Griffe können zu Unfällen führen.
- **Verwenden Sie keine Zubehörteile, die nicht vom Hersteller für dieses spezielle Elektrowerkzeug entworfen und empfohlen wurden.** Nur weil Sie ein Zubehörteil an Ihrem Elektrowerkzeug anbringen können, garantiert dies nicht, dass es sicher zu verwenden ist.
- **Die zulässigen Umdrehungen des Werkzeugs müssen mindestens so hoch wie die am**

**Elektrowerkzeug angegebenen höchsten Umdrehungen sein.** Zubehör, welches schneller als empfohlen dreht, kann brechen, wegfliegen und Verletzungen verursachen.

- **Beachten Sie, dass sich bewegliche Teile auch hinter Belüftungs- und Entlüftungsschlitzen befinden können.**
- **Symbole, die an Ihrem Gerät angebracht sind, dürfen nicht entfernt oder abgedeckt werden.** Informationen zum Gerät, die nicht mehr lesbar sind, müssen sofort ersetzt werden.



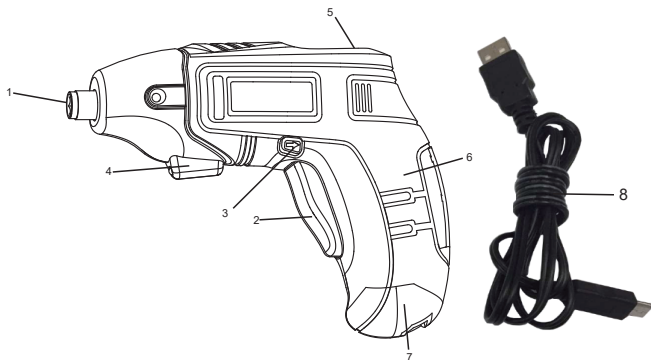
Bevor Sie das Gerät in Betrieb nehmen, lesen und beachten Sie die Gebrauchsanweisung.



**Erblickungsgefahr! Schauen Sie niemals direkt in die LED.**

## Technical data

Futtergröße	6.35mm
Drehmoment	5Nm
Geschwindigkeit	200 Umdrehungen / min
Ladedauer	3-4 Stunden
Spannung	3.6V
Batterietyp	Li-ion
USB Eingangsdaten	DC5V, <2A



1. Bithalter
2. Ein/Aus-Schalter
3. Richtungswähler
4. LED-Leuchte
5. Batteriestandsanzeige
6. Griff
7. Micro-USB-Buchse
8. USB-Kabel



**Information:**

Wenn eines der Teile fehlt oder beschädigt ist, wenden Sie sich an den Händler.

## Inbetriebnahme

### Aufladen des Akkus

**BEACHTEN!**



**Beschädigungsgefahr für das Gerät!**

Vermeiden Sie eine Tiefentladung des Akkus.

**BEACHTEN!**



**Beschädigungsgefahr für das Gerät!**

Do not press the On/Off switch after the device has deactivated automatically

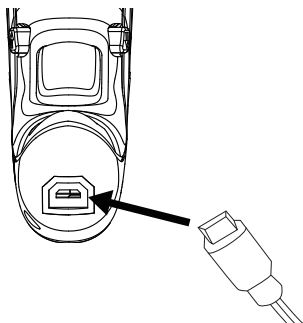


**Information:**

Der Lithium-Ionen-Akku kann jederzeit geladen werden, ohne die Lebensdauer des Geräts zu beeinträchtigen. Wenn der Ladevorgang unterbrochen wird, wird der Akku nicht beschädigt.

• **Der Akku muss vor der ersten Inbetriebnahme geladen werden**

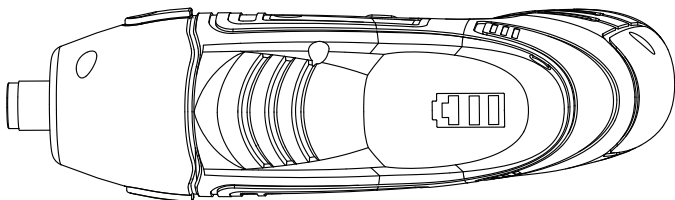
1. Verbinden Sie den Micro-USB-Anschluss des Ladekabels mit der Buchse (7).



2. Verbinden Sie den USB-Anschluss des Ladekabels mit dem USB-Anschluss des Computers oder einem USB-Ladegerät für eine Wandsteckdose (separat erhältlich).

Hinweis: Bei anderer elektrischer Eingangsstärke weicht die Ladezeit ab.

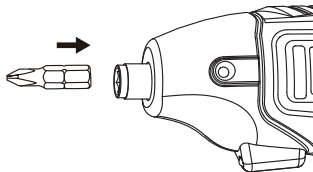
3. Der Ladezustand der Batterie wird während des Ladevorgangs angezeigt. Wenn die Ladeanzeige (5) den Höchstwert anzeigt, ist der Ladevorgang abgeschlossen.



## Betrieb

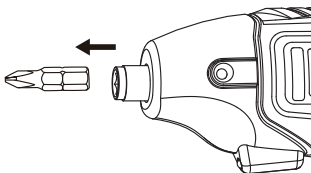
### Einsetzen von Bits

1. Setzen Sie das Bit in den magnetischen Bithalter ein.
2. Ziehen Sie vorsichtig an der Spitze, um zu prüfen, ob sie richtig sitzt und nicht locker ist.



### Entfernen von Bits

1. Ziehen Sie kräftig am Bit so dass es sich vom magnetischen Bithalter löst.



### Ändern der Drehrichtung

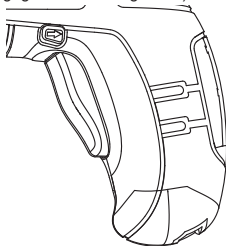
#### BEACHTEN!



Beschädigungsgefahr!

Verwenden Sie den Drehrichtungsschalter nur bei stillstehendem Gerät.

1. Um Schrauben festzuschrauben, den Drehrichtungsschalter (3) nach links drücken (Drehung im Uhrzeigersinn).
2. Um Schrauben zu entfernen, den Drehrichtungsschalter (3) nach rechts drücken (Drehung gegen den Uhrzeigersinn).



Befindet sich der Drehrichtungsschalter in der mittleren Position, ist der Ein/Aus-Schalter (2) blockiert.

### Überprüfungen vor dem Einschalten

#### Überprüfen Sie, ob das Gerät in einem sicheren Betriebszustand ist:

- Überprüfen Sie, ob keine sichtbaren Mängel vorhanden sind.
- Vergewissern Sie sich, dass alle Gerätekomponenten korrekt montiert sind.

#### Ein- und Ausschalten

- Um das Drehen des Werkzeugs zu starten, drücken Sie die Ein-/Aus-Taste
- Die LED (4) leuchtet auf.
- Um das Gerät auszuschalten, lassen Sie den Ein/Aus-Schalter los

#### Betrieb

- Halten Sie das Gerät in einer geraden Linie zur Schraube.



#### Information:

Verwenden Sie immer den für die Schraube vorgesehenen Schraubeinsatz. Wenn Sie das falsche Bit verwenden, können Sie den Kopf der Schraube beschädigen.

## Reinigung

### Reinigungsübersicht

#### Regelmäßig und entsprechend der Betriebsbedingungen

Vorgang	Ausführung
Reinigung der Lüftungsschlitze des Motors, um Staub zu entfernen	Verwenden Sie einen Staubsauger, eine Reinigungsbürste oder einen Farbpinsel.
Reinigung des Geräts	Wischen Sie das Gerät mit einem feuchten Tuch ab.

### Vorbereitung für die Entsorgung

#### Entfernen der Batterie

Am Ende der Lebensdauer des Geräts sollten Sie alle Batterien entfernen, bevor Sie den Artikel entsorgen.

- Um die Batterien aus dem Gerät zu entfernen, betätigen Sie den Ein- / Ausschalter (2), bis die Batterien vollständig entladen sind.
- Entfernen Sie die Schrauben am Gehäuse und entfernen Sie die Gehäuseschale.
- Trennen Sie die Anschlüsse an den Batterien und entfernen Sie sie.
- Entsorgen Sie die Batterien im Einklang mit Geltenden Vorschriften.

## Entsorgung

### Entsorgung des Geräts



Geräte, die mit dem nebenstehenden Symbol gekennzeichnet sind, dürfen nicht im Hausmüll entsorgt werden. Sie müssen solche alten Elektro- und Elektronikgeräte getrennt entsorgen.

- Bitte informieren Sie sich bei Ihrer örtlichen Behörde über die Möglichkeiten der korrekten Entsorgung.
- Durch separate Entsorgung schicken Sie Altgeräte zum Recycling oder für andere Formen der Wiederverwendung. So vermeiden Sie in einigen Fällen, dass schädliches Material in die Umwelt gelangt.

### **Entsorgung der Verpackung**



Die Verpackung besteht aus Karton und entsprechend gekennzeichneten Kunststoffen, die recycelt werden können.

- Stellen Sie diese Materialien für das Recycling bereit

### **Entsorgung von Batterien und Akkumulatoren**



Stillgelegte Batterien und Akkumulatoren gehören nicht in den Hausmüll; Sie müssen entsprechend der Vorschriften entsorgt werden.

- Bringen Sie nicht mehr verwendbare Batterien zur Batteriesammelstelle des Händlers oder Ihrer Gemeinde.
- Akkumulatoren nicht verbrennen. Explosionsgefahr

## Comment utiliser ces instructions

Tous les diagrammes nécessaires peuvent être trouvés aux premières pages de cet ensemble d'instructions. Dans les descriptions, vous serez dirigé par des correspondances vers les diagrammes appropriés.

### Avant de commencer...

#### Utilisation

Utilisé pour son but prévu, ce dispositif correspond aux exigences de sécurité actuelles à l'heure de sa création.

Ce dispositif est prévu pour pour visser et dévisser des vis.

Le dispositif n'est pas approprié pour l'usage commercial ou industriel.

Son utilisation pour d'autres activités est inadéquat. L'utilisation ou les modifications du produit ou l'utilisation des composants qui ne sont pas approuvés par le fabricant peut avoir comme conséquence des dommages imprévus !

Aucune utilisation qui dévie de son utilisation prévue ou non incluse dans ces instructions est considérée comme non autorisée et dédouane le fabricant de sa responsabilité légale.

### Quelles sont les significations des symboles utilisés ?

Des informations concernant les risques et dangers sont clairement marqués dans ce set d'instruction. Les symboles suivants sont employés :



#### **DANGER!**

**Danger direct de mort et risque de blessure !**

Situation dangereuse directe qui peut mener à la mort ou à des blessures graves.



#### **AVERTISSEMENT!**

**Danger probable de mort et risque de blessure !**

Situation dangereuse générale qui peut mener à la mort ou à des blessures graves.



#### **ATTENTION!**

**Risque de blessure!**

Situation dangereuse qui peut mener à des blessures.



#### **RISQUE!**

**Risque de dégâts!**

Situation qui peut provoquer des dégâts matériels.



#### **Note:**

Information pour aider la compréhension des processus.

### Pour votre sécurité

- Pour utiliser ce dispositif sans risque, l'utilisateur doit avoir lu et compris ces instructions avant d'utiliser le dispositif pour la première fois.
- Si vous vendez ou donnez le dispositif, vous devez également remettre ces consignes d'utilisation.

## Les informations sur la sécurité concernant les machines-outils



### AVERTISSEMENT!

#### Lire toutes les instructions

Tout manquement aux instructions ci-dessous peut provoquer des chocs électriques, feu et/ou des blessures graves.

- **Gardez toutes les instructions.** Le terme "outil" utilisé dans ces instructions se rapporte à la visseuse sans fil.

## Sécurité au travail

- **Gardez l'environnement de travail propre et bien éclairé**

Les endroits sales et mal éclairés sont plus dangereux.

- **N'utilisez pas l'outil dans des environnements explosifs ou en présence de liquides, gaz ou poussières inflammables.**

L'outil peut provoquer des étincelles qui pourrait les enflammer.

- **Gardez les enfants et autres personnes à l'écart.**

Les distractions peuvent vous faire perdre le contrôle de la situation.

## Sécurité électrique

- **Les prises électrique de l'outil et de l'environnement doivent correspondre. Ne modifiez jamais la prise. N'utilisez aucun adaptateur avec un outil mis à la terre.** Les prises non modifiées et assorties réduiront le risque de chocs électrique.

- **Évitez le contact avec les surfaces mises à la terre telles que des tuyaux, radiateurs, cuisinières et réfrigérateurs.** Les risques de chocs électriques sont accrus si votre corps est en contact avec un objet mis à la terre.

- **N'exposez pas l'outil à l'eau ou à un environnement humide.** Les risques de chocs électriques seraient décuplés.

- **Protégez le câble et ne l'utilisez pas pour porter ou tirer l'outil.** Les câbles endommagés ou noués augmentent les risques de chocs électriques.

- **En utilisation extérieure, utilisez une rallonge d'extérieur.** L'utilisation d'outils adaptés réduits les risques électriques.

- **Si l'utilisation en environnement humide est inévitable, utilisez une prise protégée.** L'utilisation d'une prise protégée réduit grandement les risques électriques.

## Sécurité personnelle

- **Restez attentifs à ce que vous faites et à votre environnement. N'utilisez pas l'outil si vous êtes fatigués ou sous l'influence de médicaments ou drogues.** Un moment d'inattention peut engendrer de grave dangers.

- **Utilisez des équipements de protection. Utilisez toujours des lunettes de protection.** Les équipements de protection comme les masques anti-poussières, chaussures anti-glisé, casques de protection et protection auditives aident à la réduction des risques si ils sont bien utilisés.

- **Évitez les démarrages accidentels.** Porter l'outil en ayant le doigt sur le bouton d'allumage peut provoquer un allumage soudain et non voulu qui peut provoquer un accident.

- **Gardez votre équilibre et les pieds à plat pendant l'utilisation.** Cela améliore le contrôle de l'outil en cas de situation inattendue.

- **Habillez vous convenablement. Ne portez pas d'habits trop grands ou de bijoux. Eloignez**

**vos cheveux, vêtements et gants à l'écart des parties en mouvement.** Les vêtements amples, bijoux et cheveux longs pourraient se coincés dans les parties en mouvement.

• **Si vous utilisez un outil d'aspiration de la poussière assurez vous qu'il est branché et utilisé correctement.** L'utilisation de ces outils réduit les risques liés à la poussière.

## Utilisation et entretien de l'outil

- **Ne forcez pas l'outil. Utilisez un outil adapté.** L'outil adapté à la situation offre une meilleure expérience.
- **N'utilisez pas l'outil si le bouton marche/arrêt ne fonctionne pas.** Un outil non contrôlable est dangereux et doit être réparé avant utilisation.
- **Débranchez l'outil si vous ne l'utilisez pas.** Les risques seront réduits lors des changements d'embouts et de la non utilisation.
- **Stockez l'outil hors de portée des enfants et ne laissez pas quelqu'un utiliser l'outil sans voir lu les instructions.** L'outil peut devenir dangereux si il est utilisé par une personne non avisée.
- **Surveillez l'état de votre outil, les parties en mouvement et qui peuvent être endommagées. Si endommagé faites réparer l'outil avant utilisation.** Les outils non entretenus sont dangereux.

## Utilisation et entretien de la batterie

- Utilisez uniquement le chargeur et la batterie fournis.
- Protégez les contacts de la batterie à tout moment.
- En cas d'utilisation abusive du liquide peut être rejeté, évitez tout contact avec celui-ci. Si nécessaire nettoyez la zone de contact avec de l'eau. En cas de contact avec les yeux faites appel à un médecin. Les liquides peuvent provoquer irritation et brûlure
- N'ouvrez pas la batterie
- Protégez la batterie de la chaleur, du feu, de l'eau et de l'humidité
- Des vapeurs peuvent s'échapper en cas de mauvaise utilisation. Aérez l'environnement et contactez un médecin en cas de nausée.

## Information de sécurité concernant le chargeur

- Gardez le chargeur à l'écart de l'eau.
- Gardez le chargeur propre.
- Vérifiez le chargeur et son câble avant utilisation.
- N'ouvrez pas le chargeur et faites appel à un réparateur qualifié. Utilisez uniquement des pièces de rechanges originales.
- N'utilisez pas le chargeur dans une atmosphère combustible ou sur des objets inflammables tels que du papier ou tissu.
- Empêchez les enfants de jouer avec le chargeur, surveillez les si ils sont à proximité.

### Réparation

- Faites appel à un réparateur qualifié. Utilisez uniquement des pièces de rechanges originales.

### Informations supplémentaires

- Vérifiez l'absence de lignes électriques dans la zone de travail. En cas de doute faites appel à un professionnel.
- Éteignez l'outil immédiatement si il est bloqué, le déblocage allumé pourrait

endommager l'outil et vous blesser.

- Tenez l'outil fermement
- Travaillez dans un environnement sécurisé
- Ne lâchez pas l'outil si il fonctionne encore

## Utilisation

- Mettre le bouton d'alimentation sur la position centrale lorsque vous ne l'utilisez pas.
- N'appuyez sur le bouton d'allumage qu'une fois l'outil en contact avec la vis
- Ne laissez rien traîner près de l'outil.
- Utilisez uniquement des embouts autaurisé par le constructeur. Assurez vous qu'ils sont bien installés.
- Evitez toute surchauffe de l'outil ou de l'environnement de travail.
- Gardez la poignée propre, seche et exempte de graisse.
- N'utilisez pas d'accessoires non compatibles ou non recommandés par le constructeur.
- N'utilisez pas d'outil necessitant une force supérieur ou une vitesse d erotation supérieure à celle de l'outil.
- Des parties en mouvement sont présentes pres et derriere les trous de ventilation.
- Les symboles apposes sur l'outil ne doivent pas être couverts ou retires. Toute information non lisible doit être rendue visible immediatement.



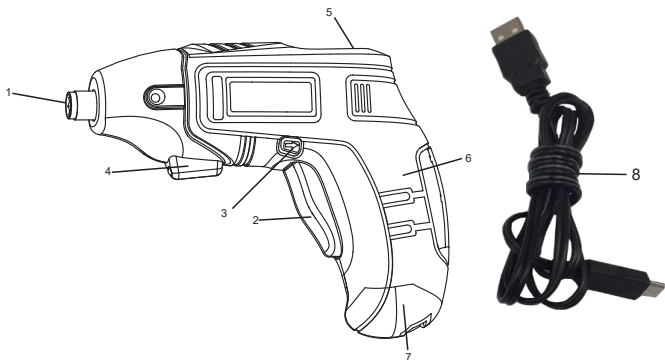
Avant utilisation lisez les instructions.



Risque pour les yeux, ne regardez jamais la led directement.

## Données techniques

Taille du mandrin	6.35mm
Puissance	5Nm
Vitesse	200 / min
Temps de charge	3-4hr
Voltage	3.6V
Type de batterie	Li-ion
Sortie USB	DC5V, <2A



1. Mandrin
2. Bouton d'allumage
3. Selecteur de sens de rotation
4. LED
5. Niveau de batterie
6. Poignée
7. Port Micro USB
8. Cable USB

**Note:**

Si une partie est manquante ou endommagée veuillez contacter le vendeur.

## Avant toute utilisation, veuillez charger la batterie.

**RISQUE!**

Ne laissez pas la batterie se décharger.

**RISQUE!**

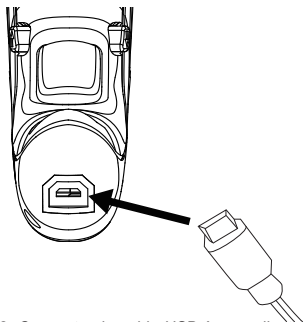
N'appuyez pas sur la gachette si l'outil s'est éteint automatiquement.

**Note:**

La batterie peut-être chargée à n'importe quel moment, sa charge peut aussi être interrompue sans que la batterie n'en soit endommagée.

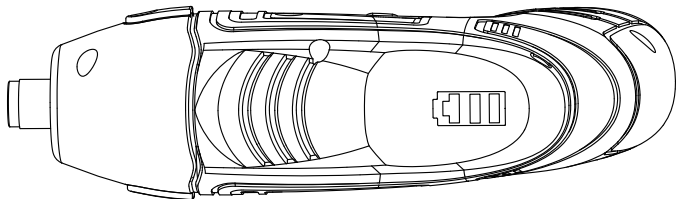
• **a batterie doit être chargée avant la première utilisation**

1. Connectez le câble Micro USB dans le port prévu à cet effet.



2. Connectez le câble USB à un ordinateur ou à un chargeur USB. Attention, la puissance du chargeur aura une incidence sur le temps de charge.

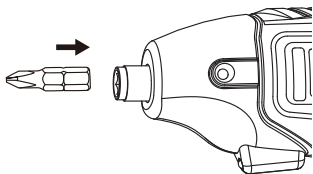
3. Le niveau de batterie est affiché pendant la charge, lorsque le niveau est à son maximum la batterie est chargée.



**Insertion d'embouts**

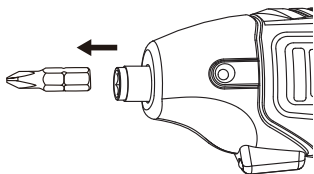
1. Insérez l'embout dans le mandarin magnétique

2. Tirez sur l'embouts pour vous assurer qu'il ne risque pas de tomber.



### Extraction d'embouts

1. Tirez sur l'embouts pour le retirer du mandrin magnétique.



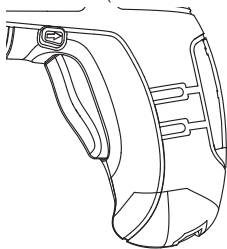
### Changement du sens de rotation

#### ▲ ATTENTION!

Risque d'endommagement de l'outil

Ne changez la direction de rotation que lorsque l'outil est à l'arrêt.

1. Pour visser (sens horaire) pousser le sélecteur vers la gauche.
2. Pour dévisser (sens anti-horaire) pousser le sélecteur vers la droite



Si le sélecteur est au milieu la gachette est bloquée.

### Verifiez avant l'allumage !

- Verifiez l'absence de défauts visibles
- Verifiez qu'aucune partie ne bouge sans que cela ne soit nécessaire.

## Allumage/Extinction

- Pour allumer l'outil appuyez sur la gachette
- La LED s'allume alors
- Pour éteindre l'outil relâchez la gachette

## Vissage

- Gardez l'outil en alignement avec la vis.



### Note:

Utilisez toujours l'embout adaptés à la vis, l'utilisation d'un mauvais embout peut endommager à la fois la vis et l'embout.

## Nettoyage

Nettoyez régulièrement et en fonction de l'utilisation.

Quoi ?	Comment ?
Nettoyez la ventilation	Utilisez un ventilateur et un pinceau.
Nettoyez l'outil	Frottez l'outil avec un linge humide

## Préparation au recyclage

### Retirez la batterie

- A la fin de vie de l'outil, retirez la batterie avant de recycler l'outil.
- Avant de retirer la batterie déchargez là en gardant la gachette appuyée.
  - Retirez les vis de l'outil
  - Coupez les fils de la batterie
  - Jetez la batterie dans un endroit adapté

## Recyclage

### Recyclage de l'outil



Tout objet labélisé avec ce symbole ne doit pas être jeté avec les ordures ménagères. Vous devez vous en débarrasser séparément.

- Renseignez vous sur le meilleur moyen de vous débarrasser de l'outil.
- En recyclant vous aidez à protéger l'environnement

### Recyclage du packaging



Le packaging est composé de carton et plastique recyclables.

- Disposez du packaging dans une poubelle appropriée

### Recyclage de la batterie



Les batteries ne peuvent pas être jetées avec les ordures ménagères, renseignez vous sur le meilleur moyen de vous en débarrasser.

- Ramenez la batterie chez votre vendeur ou dans un point de collecte.
- Ne brûlez pas la batterie, risqué d'explosion.

## Cómo usar estas instrucciones

Todos los esquemas necesarios se pueden encontrar en las primeras páginas de estas instrucciones. Dentro de las descripciones, las referencias le dirigirán a los esquemas apropiados.

### Antes de empezar...

#### Uso previsto

Cuando se utiliza para el fin previsto, este dispositivo es de última tecnología, así como los requisitos de seguridad en el momento de su introducción.

Este dispositivo está diseñado para fijar y quitar tornillos.

El dispositivo no es adecuado para uso comercial o industrial.

Cualquier otro tipo de uso es inapropiado. ¡El uso o las modificaciones incorrectas en el dispositivo o el uso de componentes que no hayan sido probados y aprobados por el fabricante pueden ocasionar daños imprevistos!

Cualquier uso que se desvíe de su uso previsto y no se incluye en estas instrucciones se considera uso no autorizado y exime al fabricante de su responsabilidad legal.

### ¿Qué significan los símbolos utilizados?

Los avisos de peligro y la información están claramente marcados a lo largo de estas instrucciones de uso. Se usan los siguientes símbolos:

#### ¡PELIGRO!



#### ¡Peligro directo para la vida y riesgo de lesiones!

Situación generalmente peligrosa que puede provocar la muerte o lesiones graves.

#### ¡ADVERTENCIA!



#### ¡Peligro probable de muerte y riesgo de lesiones!

Situación generalmente peligrosa que puede provocar la muerte o lesiones graves.

#### ¡PRECAUCIÓN!



#### ¡Posible riesgo de lesiones!

Situación peligrosa que puede ocasionar lesiones.

#### ¡AVISO!



#### ¡Peligro de daños en el dispositivo!

Situación que puede provocar daños a los bienes.

#### Nota:



Información para ayudarlo a comprender mejor los procesos involucrados.

### Por tu seguridad

Instrucciones generales de seguridad

- Para utilizar este dispositivo de manera segura, el usuario debe haber leído y entendido estas instrucciones de uso antes de usar el dispositivo por primera vez.
- Si vende o transfiere el dispositivo, también debe entregar estas instrucciones de uso.

## Información general de seguridad para herramientas eléctricas



**¡ADVERTENCIA!**

Lee todas las instrucciones.

El incumplimiento de todas las instrucciones enumeradas a continuación puede provocar descargas eléctricas, incendios y / o lesiones graves.

• **Guarde todas las notas de seguridad y las instrucciones de seguridad para futuras consultas.** El término herramienta eléctrica en todas las advertencias enumeradas a continuación se refiere a su herramienta eléctrica conectada a la red eléctrica (con cable) o su herramienta eléctrica con batería (sin cable).

### Seguridad en el trabajo

- **Mantenga el área de trabajo limpia y bien iluminada.** Las áreas desordenadas y oscuras invitan a accidentes.
- **No utilice herramientas eléctricas en atmósferas explosivas, ni en presencia de líquidos inflamables, gases o polvo.** Las herramientas eléctricas crean chispas que pueden encender el polvo o los humos.
- **Mantenga a los niños y a otras personas alejados mientras usa una herramienta eléctrica.** Las distracciones pueden hacer que pierdas el control.

### Seguridad eléctrica

- **Los enchufes de la herramienta eléctrica deben coincidir con la toma de corriente. Nunca modifique el enchufe de ninguna forma. No use adaptadores de enchufes con las herramientas eléctricas conectadas a tierra.** Los enchufes no modificados y las tomas correspondientes reducirán el riesgo de descarga eléctrica.
- **Evite el contacto del cuerpo con superficies puestas a tierra como tuberías, radiadores, estufas y refrigeradores.** Existe un mayor riesgo de descarga eléctrica si su cuerpo está conectado a tierra.
- **No exponga las herramientas eléctricas a la lluvia o las condiciones húmedas.** El agua que entra en una herramienta eléctrica aumentará el riesgo de descarga eléctrica.
- **No maltrate el cable. Nunca use el cable para transportar, tirar o desenchufar la herramienta eléctrica. Mantenga el cable alejado del calor, aceite, bordes afilados o partes móviles.** Los cables dañados o enredados aumentan el riesgo de descarga eléctrica.
- **Cuando utilice una herramienta eléctrica en exteriores, use un cable de extensión adecuado para uso en exteriores.** El uso de un cable adecuado para uso en exteriores reduce el riesgo de descarga eléctrica.
- **Si es inevitable utilizar una herramienta eléctrica en un lugar húmedo, utilice un dispositivo de corriente diferencial-residual.** El uso de un dispositivo de corriente diferencial-residual reduce el riesgo de descarga eléctrica.

### Seguridad personal

- **Manténgase alerta, observe lo que está haciendo y use el sentido común cuando use una herramienta eléctrica. No use una herramienta eléctrica mientras esté cansado o bajo la influencia de drogas, alcohol o medicamentos.** Un momento de falta de atención mientras usa las herramientas eléctricas puede ocasionar graves lesiones personales.
- **Use equipos de seguridad. Siempre use protección para los ojos.** El equipo de seguridad

como la máscara contra el polvo, zapatos antideslizantes, casco o protección auditiva utilizados en las condiciones adecuadas reducirá las lesiones personales.

- **Evite el encendido accidental. Asegúrese de que el interruptor esté en la posición de apagado antes de enchufarlo.** Transportar las herramientas eléctricas con el dedo en el interruptor o enchufar las herramientas eléctricas que tienen el interruptor encendido invita a accidentes.
- **Retire cualquier llave inglesa o similar antes de encender la herramienta eléctrica.** Una llave inglesa o similar unida a una parte giratoria de la herramienta eléctrica puede ocasionar lesiones personales.
- **No se exceda. Mantenga la postura y el equilibrio en todo momento.** Esto permite un mejor control de la herramienta eléctrica en situaciones inesperadas.
- **Vístase apropiadamente. No use ropa suelta o joyas. Mantenga el cabello, la ropa y los guantes alejados de las piezas móviles.** La ropa suelta, las joyas o el pelo largo pueden quedar atrapados en las piezas móviles.
- **Si las herramientas tienen dispositivos para la extracción y recolección de polvo, asegúrese de que estén conectados y se usen correctamente.** El uso de estos dispositivos puede reducir los riesgos relacionados con el polvo.

## Uso y cuidado de la herramienta eléctrica

- **No fuerce la herramienta eléctrica. Use la herramienta eléctrica correcta para su uso.** La herramienta eléctrica correcta hará el trabajo mejor y más seguro a la velocidad para la que fue diseñado.
- **No use la herramienta eléctrica si el interruptor no la enciende y apaga.** Cualquier herramienta eléctrica que no pueda controlarse con el interruptor es peligrosa y debe repararse.
- **Desconecte el enchufe de la fuente de alimentación antes de realizar ajustes, cambiar accesorios o almacenar herramientas eléctricas.** Dichas medidas preventivas de seguridad reducen el riesgo de encender la herramienta eléctrica accidentalmente.
- **Guarde las herramientas eléctricas paradas fuera del alcance de los niños y no permita que las personas que no estén familiarizadas con la herramienta eléctrica o estas instrucciones usen la herramienta eléctrica.** Las herramientas eléctricas son peligrosas en manos de usuarios no entrenados.
- **Mantenga las herramientas eléctricas en buen estado. Compruebe si hay desalineación o atascamiento de piezas móviles, roturas de piezas y cualquier otra condición que pueda afectar el funcionamiento de las herramientas eléctricas. Si está dañado, haga reparar la herramienta eléctrica antes de usarla.** Muchos accidentes son causados por herramientas eléctricas mal mantenidas.
- **Mantenga las herramientas de corte afiladas y limpias.** Las herramientas de corte correctamente mantenidas con bordes de corte afilados tienen menos probabilidades de atascarse y son más fáciles de controlar.
- **Utilice la herramienta eléctrica, los accesorios y las brocas, etc. de acuerdo con estas instrucciones y de la manera prevista para el tipo particular de herramienta eléctrica, teniendo en cuenta las condiciones de trabajo y el trabajo a realizar.** El uso de la herramienta eléctrica para operaciones diferentes de las previstas podría dar como resultado una situación peligrosa.

## Uso y cuidado de la batería

- **Recarguela solo con el cargador especificado por el fabricante.** Un cargador que sea adecuado para un tipo de baterías puede crear un riesgo de incendio cuando se usa con otros baterías
- **Use herramientas eléctricas solo con baterías específicamente diseñadas.** El uso de cualquier otro tipo de baterías puede dar riesgo de lesiones e incendios.
- **Cuando la batería no esté en uso, manténgala alejada de otros objetos metálicos, como clips de papel, monedas, llaves, clavos, tornillos u otros objetos metálicos pequeños, que puedan establecer una conexión de un terminal a otro.** Juntarlos puede causar quemaduras o un incendio.
- **En condiciones extremas, el líquido puede ser expulsado de la batería; evite el contacto. Si ocurre el contacto accidentalmente, enjuague con agua. Si el líquido entra en contacto con los ojos, busque ayuda médica.** El líquido expulsado de la batería puede causar irritación o quemaduras
- **No abra la batería recargable.** La batería recargable puede dañarse si se manipula incorrectamente.
- **No exponga la batería recargable al calor, fuego, agua y humedad.** Existe el peligro de explosión.
- **En caso de daño o uso inapropiado de la batería recargable, pueden desprenderse vapores. Proporcione una buena ventilación y solicite asistencia médica en caso de que presente síntomas.** Los vapores pueden irritar su tracto respiratorio y causar enfermedad
- **Nunca intente cargar baterías no recargables.** Existe el peligro de incendio y explosión.
- **La batería recargable solo se puede usar junto con esta herramienta eléctrica.** Otras herramientas eléctricas pueden sobrecargarse y, por lo tanto, dañar la batería recargable.
- **Solo se pueden usar cargadores aprobados por el fabricante con los valores indicados en la placa de características de la batería recargable.** El uso de cargadores diferentes puede suponer riesgo de lesiones y daños materiales causados por la explosión de las baterías.

## Información de seguridad para cargadores

- Mantenga el cargador alejado de la lluvia y la humedad. El riesgo de descarga eléctrica aumenta si el agua penetra en un dispositivo de carga.
- Mantenga limpio el dispositivo de carga. La suciedad implica el peligro de una descarga eléctrica.
- Verifique el dispositivo de carga, el cable y el enchufe antes de cada uso. No use el dispositivo de carga si detecta algún daño.
- No abra el dispositivo de carga usted mismo y solo haga que sea reparado por profesionales cualificados y solo con repuestos originales. Los dispositivos de carga, cables y enchufes dañados aumentan el riesgo de descarga eléctrica.
- No utilice el dispositivo de carga en artículos fácilmente inflamables (por ejemplo, papel, ropa, etc.) o en atmósferas combustibles. Existe peligro de incendio debido al calentamiento del dispositivo de carga durante el proceso de carga.
- Supervise a los niños y asegúrese de que no jueguen con el cargador. Los niños y las personas con alteraciones mentales o físicas solo pueden usar el cargador bajo supervisión o después de haber recibido instrucciones sobre cómo usarlo. Una instrucción cuidadosa reduce el riesgo de funcionamiento incorrecto y lesiones.

## Servicio

• Haga reparar su herramienta eléctrica por un técnico de reparación cualificado que use solo piezas de repuesto idénticas. Esto asegurará que se mantenga la seguridad de la herramienta eléctrica.

## Advertencias de seguridad para taladros y destornilladores

• Sostenga la herramienta eléctrica por las superficies de agarre aisladas, cuando realice una operación donde el accesorio de corte o sujeción puedan entrar en contacto con un cableado oculto. Los accesorios de corte y de sujeción que entren en contacto con un cable con corriente pueden hacer que pase electricidad a las partes metálicas expuestas de la herramienta eléctrica y provocarle una descarga eléctrica.

## Notas de seguridad adicionales

• Antes de comenzar a trabajar, use la herramienta adecuada para determinar si hay líneas de suministro ocultas ubicadas en el área en la que está trabajando. En caso de duda, pregunte a los servicios de suministro pertinentes. El contacto con las líneas eléctricas puede provocar incendios y descargas eléctricas. Dañar una tubería de gas puede causar una explosión. Dañar una tubería de agua provoca daños considerables a la propiedad y puede provocar una descarga eléctrica.

• Apague inmediatamente la herramienta eléctrica cuando se bloquee. Esté preparado para que ocurran fuerzas repentinas que pueden causar un retroceso. La herramienta de inserción se bloquea, por ejemplo, debido a sobrecarga o inclinación.

• Sostenga firmemente la herramienta eléctrica. Al apretar y desatornillar tornillos, pueden producirse fuerzas elevadas durante un breve período de tiempo.

• Asegure el objeto con el que trabaja. Utilice un equipo tensor o tornillos para asegurar el objeto para ayudar a evitar el retroceso o la voladura incontrolada del objeto con el que trabaja (por ejemplo, al atascarse).

• Nunca apague la herramienta eléctrica antes de que la herramienta se haya detenido por completo. La herramienta giratoria puede entrar en contacto con alguna superficie y hacer que pierda el control de la herramienta eléctrica

• No abra la batería. La batería puede dañarse como resultado de acciones incorrectas.

• No exponga la batería al calor, fuego, agua o humedad. Existe riesgo de explosión

• En caso de daño o uso incorrecto de la batería, los vapores pueden escapar. Asegúrese de que la ventilación sea buena y, si tiene alguna queja médica, consulte a un médico. Estos vapores pueden irritar los conductos de aire y causar enfermedades.

• Nunca intente recargar baterías que no estén designadas como recargables. Existe riesgo de incendio y explosión.

• La batería solo se puede usar en combinación con esta herramienta eléctrica. Otras herramientas eléctricas pueden sobrecargar la batería y dañarla.

• Solo se pueden usar baterías autorizadas por el fabricante con los valores enumerados en la placa de características de esta herramienta eléctrica. El uso de una batería diferente puede causar un riesgo de lesiones y daño a los bienes como resultado de la explosión de la batería.

• Solo se pueden usar cargadores autorizados por el fabricante con los valores enumerados en la placa de características de esta batería. El uso de un cargador diferente puede causar un riesgo de lesiones y daños a los bienes como resultado de una batería en explosión.

• Mantenga limpio su lugar de trabajo. La contaminación mixta por diversos materiales es

particularmente peligrosa. El polvo de metal ligero (por ejemplo, aluminio) puede encenderse o explotar fácilmente.

- Infórmese sobre los materiales que se desprenden y los polvos y vapores que puedan generarse. No respire ni siquiera pequeñas cantidades de los polvos o vapores generados. Al utilizar ciertos materiales (varios metales, minerales o maderas, así como pinturas protectoras del clima) se pueden generar polvos venenosos / dañinos que pueden causar reacciones alérgicas o enfermedades graves. No respire estos polvos y vapores y evite todo contacto con ellos. Los materiales que contienen asbesto solo pueden ser procesados por especialistas.
- Ajuste el interruptor de rotación derecha / izquierda a la posición central antes de realizar cualquier trabajo en la herramienta eléctrica (por ejemplo, mantenimiento, cambio de herramienta) y durante el transporte al almacenamiento del artículo. La activación involuntaria del interruptor de encendido / apagado puede causar un riesgo de lesiones.
- Primero active la herramienta eléctrica después de haberla colocado en el tornillo. Si la herramienta insertada ya está girando cuando intenta colocarla, puede resbalar.
- No deje herramientas, objetos o cables por los alrededores del dispositivo. Si tropieza, puede lastimarse con la herramienta eléctrica.
- Cuando trabaje con el dispositivo, asegúrese de que el área esté bien iluminada. La mala visión puede ocasionar lesiones causadas por la herramienta eléctrica.
- Utilice únicamente brocas de taladro y destornillador autorizadas por el fabricante. El uso de diferentes brocas de taladro y destornillador puede ocasionar lesiones y daños a la herramienta eléctrica. Asegúrese de que las brocas y los destornilladores estén bien instalados antes de encender el dispositivo.
- Mantenga las herramientas de corte afiladas y limpias. Las herramientas de corte correctamente mantenidas con bordes cortantes afilados son menos propensas a atascarse y son más fáciles de controlar.
- Evite el sobrecalentamiento del dispositivo y la pieza de trabajo. El exceso de calor puede dañar la herramienta y el dispositivo.
- Nunca use la herramienta eléctrica cerca de materiales inflamables. Las chispas pueden prender fuego a estos materiales.
- Mantenga las manijas secas y sin grasa. Las asas resbaladizas pueden provocar accidentes.
- No use accesorios que no hayan sido diseñados y recomendados por el fabricante para esta herramienta eléctrica específica. El hecho de que pueda conectar un accesorio a su herramienta eléctrica no garantiza que sea seguro usarlo
- Las revoluciones permitidas de la herramienta deben ser al menos tan altas como las revoluciones más altas especificadas en la herramienta eléctrica. Los accesorios que giran más rápido de lo que se les permite pueden romperse y volar y causar lesiones.
- Recuerde que las partes móviles también pueden ubicarse detrás de las ranuras de ventilación.
- Los símbolos adheridos a su unidad no se pueden quitar ni cubrir. La información sobre la unidad que ya no es legible debe ser reemplazada inmediatamente.



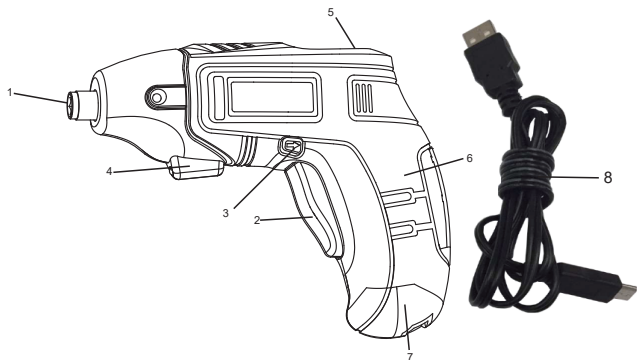
**Antes de poner la unidad en funcionamiento, lea detenidamente las instrucciones de uso**



**¡Riesgo de daño a los ojos! Nunca mire directamente al LED.**

## Información técnica

Tamaño del portabrocas	6.35mm
Torsión	5Nm
Velocidad	200 / min
Tiempo de carga	3-4hr
Voltaje	3.6V
Tipo de batería	Li-ion
Salida USB	DC5V, <2A



1. Portabrocas
2. Interruptor de encendido / apagado
3. Selector de rotación
4. Luz del LED
5. Nivel de batería
6. Mango
7. Ranura Micro USB
8. Cable USB

**Nota:**

Si falta alguna de las partes o está dañada, comuníquese con el vendedor.

**Antes del primer uso, cargue la batería.****¡AVISO!**

¡Peligro de daños a la unidad!

No permita que la batería se descargue totalmente.

**¡AVISO!**

¡Peligro de daños a la unidad!

No presione el interruptor de encendido / apagado después de que el dispositivo se haya desactivado automáticamente

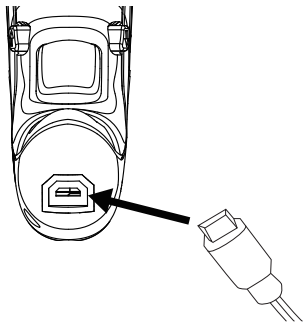
**Nota:**

La batería Li-Ion se puede cargar en cualquier momento sin afectar la vida útil de la unidad.

La interrupción del proceso de carga no dañará la batería.

**• La batería debe cargarse antes de la primera puesta en marcha**

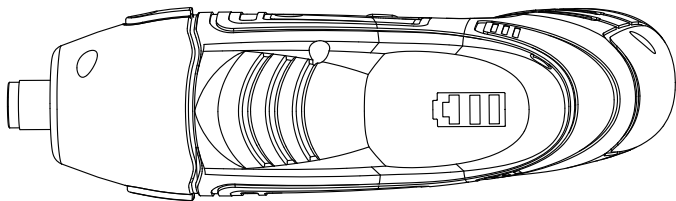
1. Conecte la conexión micro USB del cable de carga a la ranura del destornillador.



2. Conecte la conexión USB del cable de carga al puerto USB del ordenador o un cargador USB para una toma de corriente de pared (se vende por separado).

Note: bajo diferente corriente eléctrica de salida, el tiempo de carga será diferente.

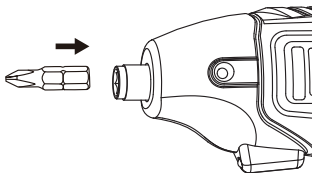
3. El nivel de la batería se muestra durante la carga. Cuando el nivel de la batería muestra un máximo, la carga está lista.



## Uso

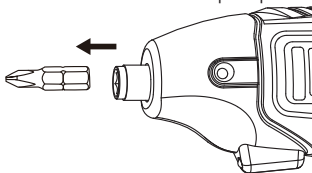
### Inserción de brocas

1. Inserte la broca en el soporte de brocas magnético.
2. Tire suavemente de la broca para verificar que esté bien ajustada y que no queda suelta



### Quitar las brocas

1. Tire con fuerza de la broca para que se suelte del soporte de brocas magnético.



### Cambiar la dirección de rotación

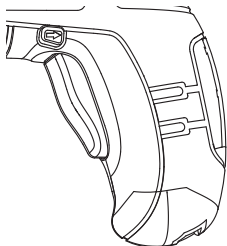
#### ¡AVISO!



¡Peligro de daños a la unidad!

Utilice únicamente el interruptor de dirección de rotación cuando el dispositivo esté parado

1. Para atornillar los tornillos, presione el interruptor de dirección de rotación (3) hacia la izquierda (rotación en el sentido de las agujas del reloj).
2. Para quitar los tornillos, presione el interruptor de dirección de rotación (3) hacia la derecha (rotación en sentido antihorario).



Si el interruptor de dirección de rotación está en la posición central, el interruptor de encendido / apagado (2) está bloqueado.

### ¡Revíselo antes de encenderlo!

Revíselo para asegurarse de que el dispositivo se encuentre en condiciones para ser usado con seguridad:

- Asegúrese de que no haya defectos visibles.
- Asegúrese de que todos los componentes del dispositivo estén montados correctamente.

### Encender y apagar

- Para comenzar a girar la herramienta, presione el botón de encendido / apagado
- El LED (4) se encenderá.
- Para apagar la unidad, suelte el interruptor de encendido / apagado

### Destornillador

- Mantenga el dispositivo en línea recta con el tornillo.



#### Nota:

Utilice siempre la broca diseñada para el tornillo. Si usa la punta incorrecta, puede dañar la cabeza del tornillo.

## Limpieza

### Resumen de limpieza

#### Regularmente y de acuerdo a las condiciones de uso

¿Qué?	¿Cómo? Limpie la unidad con un paño húmedo.
Reinigung der Lüftungsschlitze des Motors, um Staub zu entfernen	Use una aspiradora, cepillo de limpieza o pincel.
Limpie el dispositivo	Limpie la unidad con un paño húmedo.

## Preparación para desechar el producto

### Extracción de la batería

Al final de la vida útil del dispositivo, debe quitar todas las baterías antes de deshacerse del artículo.

- Para retirar las baterías de la unidad, accione el interruptor de encendido / apagado (2) hasta que las baterías estén completamente descargadas.
- Retire los tornillos de la carcasa y retire la carcasa.
- Separe las conexiones de las baterías.
- Deseche las baterías de acuerdo con el reglamento.

## Eliminación

### Eliminación del electrodoméstico



Los electrodomésticos etiquetados con el símbolo adyacente no se deben tirar a la basura doméstica. Debe deshacerse de tales equipos eléctricos y electrónicos viejos por separado.

- Consulte con su autoridad local sobre las posibilidades de eliminación correcta.

Por medio de una eliminación por separado, usted envía equipos viejos para reciclarlos u otras formas de reutilización. De este modo, ayudará a evitar que, en algunos casos, el material dañino entre al medio ambiente.

## Eliminación del embalaje



El embalaje consiste en cartón y plásticos que se pueden reciclar.

- Haga que estos materiales estén disponibles para reciclar.

## Eliminación de baterías y acumuladores



Las baterías y acumuladores en desuso no pertenecen a la basura doméstica; deben eliminarse según los reglamentos vigentes.

- Lleve las baterías que ya no se pueden utilizar al punto de recogida de la batería del fabricante o de su autoridad local.
- No quemar acumuladores. Riesgo de explosión

## Come usare queste Istruzioni

Tutte le immagini di riferimento necessarie per il corretto utilizzo del prodotto possono essere trovati nelle prime pagine di questo manuale di istruzioni.

### Prima di iniziare...

#### Destinazione d'uso

Utilizza il prodotto solo per lo scopo per il quale il dispositivo è stato concepito, in modo da garantire la sicurezza in virtù degli attuali requisiti di sicurezza che sono stati garantiti.

Questo dispositivo è progettato per il fissaggio e la rimozione delle viti.

Il dispositivo non è adatto per usi industriali.

Qualsiasi altro tipo di utilizzo è inappropriato. L'uso improprio o le modifiche al dispositivo o l'uso di componenti non testati e approvati dal produttore possono provocare danni imprevisti!

Qualsiasi uso che si discosti dal suo uso previsto e non è incluso in queste istruzioni è considerato uso non autorizzato e solleva il produttore dalla sua responsabilità legale.

### Quali sono i significati dei simboli usati?

Le avvertenze e le informazioni di pericolo sono chiaramente indicate nel manuale. Vengono utilizzati i seguenti simboli:

#### PERICOLO!



#### Pericoli diretti per la vita e rischio di lesioni!

Situazioni pericolose che possono provocare morte o lesioni gravi.

#### AVVERTIMENTO!



#### Possibile pericolo per la vita e il rischio di lesioni!

Situazione generalmente pericolosa che può portare a morte o lesioni gravi.

#### ATTENZIONE!



#### Possibile rischio di lesione!

Situazioni dannose che potrebbero portare a lesioni.

#### OSSERVAZIONE!



#### Rischio di danneggiare il dispositivo!

Situazione che può portare a danni materiali del dispositivo.

#### Note:

Informazioni per aiutarti a comprendere meglio i processi coinvolti.

### Per la tua sicurezza:

Istruzioni Generali per la sicurezza personale:

- Per utilizzare questo dispositivo in modo sicuro, l'utente deve aver letto e compreso queste istruzioni per l'uso prima di utilizzare il dispositivo per la prima volta.
- Se vendi o cedi il dispositivo a terzi, devi anche consegnare queste istruzioni operative.

## Informazioni generali sulla sicurezza per l'utilizzo di utensili elettrici



### AVVERTIMENTO!

**Leggere tutte le istruzioni.**

La mancata osservanza di tutte le istruzioni elencate di seguito può provocare scosse elettriche, incendi e/o lesioni gravi.

- **Conservare tutte le note sulla sicurezza e le istruzioni di sicurezza per riferimenti futuri.** strumento elettrico in tutti gli avvisi elencati di seguito si riferisce all'utensile elettrico (con filo) o all'alimentazione a batteria (senza fili).

## Sicurezza durante il lavoro

- **Mantenere l'area di lavoro pulita e ben illuminata.**

Aree ingombre e poco illuminate aumentano il rischio di incidenti.

- **Non utilizzare utensili elettrici in atmosfere esplosive, ad esempio in presenza di liquidi infiammabili, gas o polvere infiammabile.** Gli elettro utensili creano scintille, che possono dar vita ad incendi.

- **Tenere fuori dalla portata di Bambini e Utenti non esperti.** Le distrazioni possono farti perdere il controllo del dispositivo.

## Sicurezza Elettrica

- **Le spine degli utensili elettrici devono corrispondere alla presa. Non modificare mai la spina in alcun modo. Non utilizzare adattatori con messa a terra.** Spine non modificate e prese corrispondenti ridurranno il rischio di scosse elettriche.

- **Evitare il contatto del corpo con superfici collegate a terra, quali tubi, radiatori, fornelli e frigoriferi..** Aumenta il rischio di scosse elettriche se il tuo corpo è collegato a terra o messo a terra.

- **Non esporre il dispositivo elettrico ad ambienti umidi o bagnati.** L'acqua che penetra in un utensile elettrico aumenta il rischio di scosse elettriche.

- **Non utilizzare mai il cavo per trasportare, tirare o scollegare l'utensile elettrico. Tenere il cavo lontano da fonti di calore, olio, bordi taglienti o parti mobili.** I cavi danneggiati o impigliati aumentano il rischio di scosse elettriche.

- **Quando si utilizza un elettro utensile all'aperto, utilizzare una prolunga adatta per l'uso esterno ed impermeabile.** L'uso di un cavo adatto all'uso esterno riduce il rischio di scosse elettriche.

- **Se è inevitabile utilizzare un utensile elettrico in un luogo umido, utilizzare un'alimentazione protetta da dispositivi a corrente residua (RCD).** Usare un RCD diminuisce la possibilità di scosse elettriche.

## Sicurezza Personale

- **Stai attento, guarda cosa stai facendo e usa il buon senso quando usi un utensile elettrico. Non utilizzare un utensile elettrico mentre si è stanchi o sotto l'effetto di droghe, alcol o farmaci.** Un momento di disattenzione durante il funzionamento degli elettro utensili può provocare gravi lesioni personali.

- **Utilizzare l'equipaggiamento di sicurezza. Indossare sempre gli occhiali protettivi.** Le attrezzature di sicurezza, come la maschera antipolvere, le scarpe antinfortunistiche antiscivolo, il casco o i tappi per proteggere l'udito utilizzati in condizioni appropriate ridurranno il rischio di

lesioni personali.

- **Evita l'avvio accidentale, assicurarsi che l'interruttore sia in posizione OFF prima di collegarlo.** Collegare gli elettrodomestici con l'interruttore acceso provoca incidenti.
- **Rimuovere qualsiasi chiave metallica di regolazione prima di accendere l'utensile elettrico.** Una chiave lasciata collegata alla parte rotante dell'utensile elettrico può provocare scariche elettriche
- **Mantenere sempre saldamente lo strumento.** Ciò consente un migliore controllo dello strumento in fase di avviamento e in situazioni impreviste.
- **Vesti in modo adeguato. Non indossare abiti larghi o gioielli, tenere i capelli, indumenti e guanti lontani dalle parti in movimento.** Abiti larghi, gioielli o capelli lunghi possono incastrarsi nelle parti mobili.
- **Verificare sempre che le chiavi di Estrazione/Avvitamento siano inserite correttamente.** L'uso di questi dispositivi può ridurre i rischi legati all'usura dovuti alla polvere.

## Usa e cura del dispositivo elettrico

- **Non forzare l'utensile elettrico.** Lo strumento lavorerà in modo migliore alla velocità per cui è stato progettato.
- **Non usare lo strumento se il tasto On/Off è rotto.** E' pericoloso lavorare con utensili che non possono essere regolati tramite il pulsante ON/OFF. In questi casi è necessario riparare l'utensile.
- **Disconnettere l'alimentazione dopo l'utilizzo, rimuovere e riporre tutti gli accessori.** Tali misure di sicurezza preventive riducono il rischio di avviare accidentalmente l'attrezzo e ne evitano l'usura.
- **Conservare gli utensili elettrici fuori dalla portata dei bambini e non permettere a persone che non hanno familiarità con l'utensile elettrico e queste istruzioni di azionare l'utensile.** Gli utensili elettrici sono pericolosi nelle mani di utenti inesperti.
- **Effettuare interventi di manutenzione ordinaria sull'utensile elettrico, verificarne sempre l'integrità ed in caso di malfunzionamento fai riparare l'utensile elettrico prima dell'uso.** Molti incidenti sono causati da strumenti elettrici mal gestiti.
- **Mantenere gli strumenti puliti.** Fai ciò per ridurre rischi di attaccamento di polvere che possono essere causa di malfunzionamento
- **Utilizzare l'utensile elettrico e gli accessory forniti in dotazione in relazione alle presenti istruzioni, nel modo previsto e tenendo conto delle condizioni di lavoro e del lavoro da eseguire.** L'uso dell'attrezzo elettrico per operazioni diverse da quelle previste potrebbe causare situazioni pericolose.

## Uso e cura della batteria

- **Ricaricare solo con il caricabatterie specificato dal produttore.** Un caricabatterie non adatto può creare un rischio di incendio.
- **Utilizzare gli elettrodomestici solo con la batteria specificatamente designata.** L'uso di altre batterie può creare il rischio di lesioni e incendi.
- **Tenere la batteria lontana da altri conduttori elettrici come oggetti metallici, graffette, monete, chiavi, chiodi, viti o altri piccoli oggetti metallici, che possono effettuare una connessione di corrente da un terminale all'altro.** Ciò potrebbe causare ustioni o incendi.
- **In condizioni di malfunzionamento, potrebbe essere espulso dalla batteria del liquido; evita il contatto con esso. In caso di contatto accidentale, sciacquare con acqua. Se il**

**liquido contatta gli occhi, consultare anche un medico.** Il liquido espulso dalla batteria può causare irritazioni o ustioni.

- **Non aprire la batteria ricaricabile.** Ciò costituisce un uso improprio della batteria.
- **Non esporre la batteria ricaricabile a fonti di calore, fuoco, acqua e umidità.** Ciò può comportare il pericolo di esplosione della batteria.
- **Dei vapori possono fuoriuscire in caso di danneggiamento o uso improprio della batteria ricaricabile. Fornire una buona ventilazione e cercare assistenza medica in caso si manifestino sintomi.** I vapori possono irritare le vie respiratorie e causare malattie.
- **Non tentare mai di caricare batterie non ricaricabili.** C'è il pericolo di incendio ed esplosione.
- **La batteria ricaricabile in dotazione può essere utilizzata solo in combinazione con questo strumento elettrico.** L'utilizzo della batteria con altri strumenti elettrici può sovraccaricare la stessa e danneggiare la batteria ricaricabile.
- **E' necessario utilizzare solo i caricatori che sono stati approvati dal produttore.** L'uso di caricabatterie diversi può comportare il rischio di lesioni e danni materiali causati dall'esplosione delle batterie.

## Informazioni di sicurezza per il caricabatterie

- **Tenere il caricabatterie lontano da fonti bagnate o umide.** Il rischio di scosse elettriche aumenta se l'acqua penetra in un dispositivo di ricarica.
- **Mantenere pulito il dispositivo di ricarica.** Lo sporco aumenta il pericolo di una scossa elettrica.
- **Controllare il dispositivo di ricarica, il cavo e la spina prima di ogni utilizzo.** Non utilizzare il dispositivo di ricarica in caso di danni.
- **Non aprire il dispositivo di ricarica e in caso di danneggiamento farlo riparare da professionisti qualificati utilizzando solo pezzi di ricambio originali.** Caricabatterie, cavi e spine danneggiati aumentano il rischio di scosse elettriche.
- **Non utilizzare il dispositivo di ricarica su oggetti facilmente infiammabili (ad esempio carta, tessuti, ecc.) o in luoghi con presenza di combustibili.** A causa del riscaldamento del dispositivo di ricarica durante il processo di ricarica potrebbe verificarsi un incendio
- **Sorvegliare i bambini e assicurarsi che non giochino con il caricabatterie. I bambini e le persone con limitazioni mentali o fisiche possono utilizzare il caricabatterie solo sotto supervisione o dopo essere stati istruiti su come usarlo.** Un'attenta istruzione riduce il rischio di malfunzionamenti e lesioni.

## Riparazioni

- **Far riparare l'utensile elettrico da una persona qualificata utilizzando solo parti di ricambio identiche ed originali.** Ciò garantirà che la sicurezza dell'utensile non venga compromessa.

## Avvertenze di sicurezza per trapani e cacciaviti

- **Tenere il dispositivo elettrico isolato da materiali di cablaggio.** Gli accessory per il taglio potrebbero entrare in contatto con fili e materiali di cablaggio di parti elettriche con conseguente taglio di esse. Ciò può comportare un rischio di scossa elettrica.

## Note aggiuntive per la sicurezza

- **Prima di iniziare il lavoro, utilizzare uno strumento appropriato per determinare se sono presenti tubi metallici o cavi nascosti nell'area in cui si sta lavorando. In caso di dubbio, richiedere il servizio ad un esperto.** Il contatto con le linee elettriche può causare incendi e scosse elettriche. Il danneggiamento di un tubo del gas può causare un'esplosione. Il danneggiamento di un tubo dell'acqua comporta notevoli danni materiali e può provocare scosse elettriche.
- **Spegnere immediatamente l'attrezzo quando si avverte che esso è sotto sforzo.** Gli strumenti di si bloccano, ad esempio, a causa di sovraccarico o inclinazione.
- **Impugnare saldamente l'utensile elettrico.** Durante l'avvitamento e lo svitamento, si possono verificare contraccolpi che possono fare scivolare l'utensile.
- **Fissare il pezzo da lavorare.** fissare il pezzo da lavorare per evitare il contraccolpo.
- **Non riporre mai l'attrezzo prima che l'utensile si sia fermato completamente.** Lo strumento rotante potrebbe entrare in contatto con la superficie e causare la perdita di controllo dell'utensile
- **Non aprire la batteria.** La batteria potrebbe danneggiarsi a causa di un incorretto utilizzo.
- **Non esporre la batteria ricaricabile a fonti di calore, fuoco, acqua e umidità.** Ciò può comportare il pericolo di esplosione della batteria.
- **Dei vapori possono fuoriuscire in caso di danneggiamento o uso improprio della batteria ricaricabile.** Fornire una buona ventilazione e cercare assistenza medica in caso si manifestino sintomi. I vapori possono irritare le vie respiratorie e causare malattie.
- **Non tentare mai di caricare batterie non ricaricabili.** C'è il pericolo di incendio ed esplosione.
- **La batteria ricaricabile in dotazione può essere utilizzata solo in combinazione con questo strumento elettrico.** L'utilizzo della batteria con altri strumenti elettrici può sovraccaricare la stessa e danneggiare la batteria ricaricabile.
- **E' necessario utilizzare solo i caricatori che sono stati approvati dal produttore.** L'uso di caricabatterie diversi può comportare il rischio di lesioni e danni materiali causati dall'esplosione delle batterie
- **Mantieni pulito il tuo posto di lavoro.** La contaminazione mista da vari materiali è particolarmente pericolosa. La polvere di alluminio, ad esempio, può incendiarsi o esplodere facilmente.
- **Informarsi sui materiali da trattare e sulle polveri e i vapori che possono essere generati. Non respirare nemmeno una piccola quantità di polvere e vapori eventualmente generati.** Durante la lavorazione di determinati materiali (vari metalli, minerali o legni e vernici che proteggono le intemperie) possono essere generate polveri dannose / velenose che possono causare reazioni allergiche o gravi malattie. Non respirare le polveri e i vapori ed evitare ogni contatto. Inoltre I materiali contenenti amianto possono essere elaborati solo da specialisti.
- **Impostare l'interruttore per la rotazione destra / sinistra sulla posizione centrale prima di eseguire qualsiasi lavoro sull'attrezzo elettrico (ad esempio manutenzione, cambio di una chiave) e durante il trasporto della conservazione dell'articolo.** L'attivazione involontaria dell'interruttore On / Off può causare il rischio di lesioni, impostando l'interruttore per la rotazione sulla posizione centrali tali rischi vengono notevolmente diminuiti.
- **Attivare l'utensile solo quando esso è correttamente inserito nella vite.** Ciò diminuisce il rischio che esso scivoli.
- **Non lasciare attrezzi, oggetti o cavi posati nelle vicinanze del dispositivo. Se inciampi, potresti ferirti con l'attrezzo elettrico.**
- **Quando si lavora con il dispositivo assicurarsi che l'area sia ben illuminata.** Una visione poco illuminata può provocare lesioni.
- **Utilizzare solo punte per trapano autorizzate dal produttore.** L'uso di punte diverse può

causare il rischio di lesioni e danni all'utensile. Assicurarsi inoltre che l'utensile e le punte siano installati saldamente prima di accendere il dispositivo.

- **Mantenere gli strumenti puliti.** Fai ciò per ridurre rischi di attaccamento di polvere che possono essere causa di malfunzionamento.
- **Evitare il surriscaldamento del dispositivo e del pezzo da lavorare.** Il calore eccessivo può danneggiare lo strumento e il dispositivo.
- **Non utilizzare mai un utensile elettrico vicino a materiali infiammabili..** Le scintille possono incendiare questi materiali.
- **Mantenere l' impugnatura asciutta e prive di grasso.** Impugnature scivolose possono causare incidenti.
- **Non utilizzare accessori che non sono stati progettati e consigliati dal produttore per questo specifico utensile elettrico.** Solo perché è possibile collegare un accessorio al tuo utensile elettrico ciò non garantisce che sia sicuro da usare
- **I giri consentiti dell'utensile devono essere almeno pari ai giri più alti specificati sull'attrezzo.** Gli accessori che ruotano più velocemente di quanto consentito possono rompersi e volare e causare lesioni.
- I simboli apposti sul prodotto non possono essere rimossi o coperti. Le informazioni e I simboli che non sono più leggibili devono essere immediatamente sostituiti.



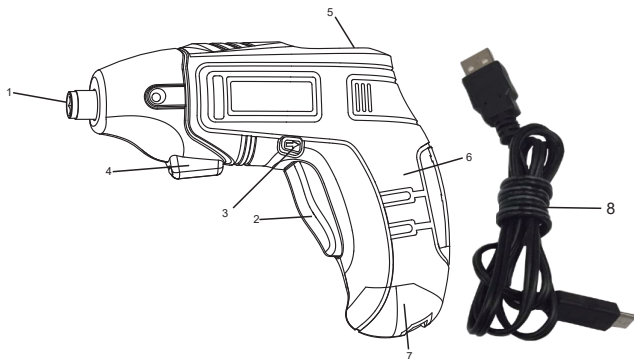
Prima di mettere in funzione il dispositivo, leggere e osservare le istruzioni per l'uso.



**Rischio di danni agli occhi! Non guardare mai direttamente nel LED.**

## Dati tecnici

Dimensioni dell'ugello	6.35mm
Torcia	5Nm
Velocità	200 / min
Tempo di ricarica	3-4hr
Voltaggio	3.6V
Tipo di Batteria	Li-ion
Dettagli USB Output	DC5V, <2A



1. Ugello
2. On /off Pulsante
3. Selezionatore di rotazione
4. Indicatore LED
5. Livello di batteria
6. Manico
7. Entrata microUSB
8. Cavo USB



**Note:**

Se una delle parti è mancante o danneggiata, contattare il rivenditore.

## Caricare la batteria completamente prima del primo utilizzo



**AVVISO!**

**Rischio di danneggiamento dell'utensile!**

Non lasciare che la batteria si scarichi totalmente.



**AVVISO!**

**Rischio di danneggiamento dell'utensile!**

Non riaccendere dopo che il dispositivo si è disattivato automaticamente.



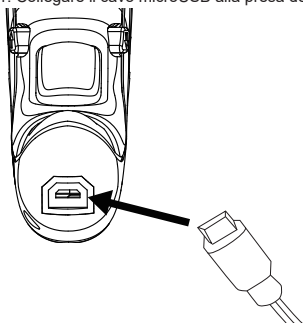
**Informazioni:**

La batteria ai Li-Ion può essere caricata in qualsiasi momento senza influire sulla durata della

stessa. L'interruzione del processo di ricarica non danneggerà la batteria.

- **La batteria deve essere ricaricata prima del primo avvio.**

1. Collegare il cavo microUSB alla presa del cacciavite..

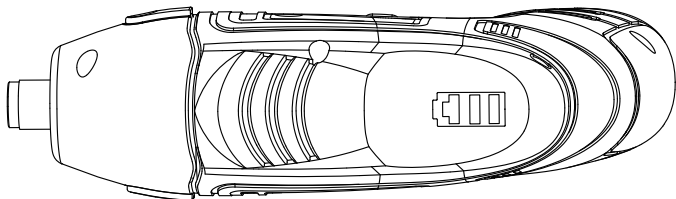


2. Collegare la connessione USB del cavo di ricarica alla porta USB del computer o ad un caricatore USB a muro (venduto separatamente).

Nota: A seconda del dispositivo di ricarica, il tempo di ricarica sarà diverso.

Note: under different output electric current, the charging time will different.

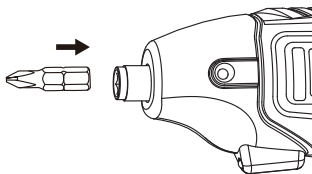
3. Il livello della batteria viene visualizzato durante la ricarica. Quando il livello della batteria è al massimo, il dispositivo è pronto.



## Operazioni

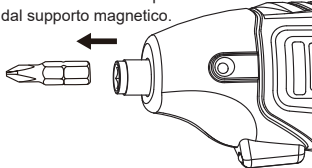
### Inserire le chiavi

1. Avvicina le chiavi all'ugello magnetico del giravite.
2. Tirare delicatamente la punta per verificare che sia montata correttamente

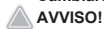


### Rimuovere le punte

1. Tirare con forza la punta in modo che si stacchi dal supporto magnetico.



### Cambiare il verso di rotazione

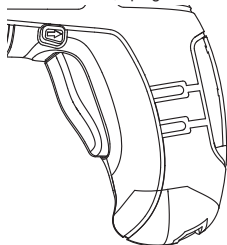


#### AVVISO!

Rischio di danneggiamento del dispositivo!

Utilizzare l'interruttore per il verso di rotazione solo quando il dispositivo è fermo

1. Per avvitare le viti, spingere l'interruttore (3) verso sinistra (rotazione in senso orario).
2. Per rimuovere le viti, spingere l'interruttore (3) verso destra (rotazione in senso antiorario).



Se l'interruttore di direzione di rotazione è in posizione centrale, l'interruttore On / Off (2) è bloccato.

### Controllare prima di accendere!

Verificare che il dispositivo sia in una condizione operativa sicura:

- Verificare che non vi siano difetti visibili.
- Verificare che tutti i componenti del dispositivo siano montati correttamente.

### Accensione e spegnimento

- Per avviare il dispositivo, premere il pulsante On / Off
- Il LED (4) si illuminerà.
- Per spegnere l'unità, rilasciare l'interruttore On / Off

### Cacciavite

- Mantenere il dispositivo in linea retta rispetto alla vite.

### Informazioni:

Utilizzare sempre la punta progettata per l'apposita vite. Se usi la punta errata, potresti danneggiare la testa della vite.

## Panoramica sulla pulizia

Cosa?	Come ?
Pulire le fessure di ventilazione del dispositivo e rimuovere la polvere	Utilizzare un aspirapolvere, spazzola per la pulizia o spazzola per pennelli.
Pulire il dispositivo.	Pulire l'unità con un panno umido.

### Rimuovere la batteria

Alla fine della durata del dispositivo, è necessario rimuovere la batteria prima di smaltire l'articolo.

- Per rimuovere la batteria dall'unità, utilizzare l'interruttore di accensione / spegnimento (2) finché essa non sarà completamente scarica.
- Rimuovere le viti sull'alloggiamento e rimuovere il guscio dell'alloggiamento.
- Separare i collegamenti sulla batteria e rimuoverli.
- Smaltire la batteria in conformità con i regolamenti vigenti.

## Disposizioni

### Smaltimento dell'apparecchio



Gli apparecchi etichettati con i simboli adiacenti non devono essere smaltiti insieme ai rifiuti domestici. È necessario smaltire separatamente tali apparecchiature elettriche ed elettroniche.

- Si prega di verificare con le autorità locali le possibilità per uno smaltimento corretto.

Attraverso lo smaltimento separato si inviano vecchie apparecchiature per il riciclaggio o per altre forme di riutilizzo e ciò aiuterà ad evitare che del materiale dannoso entri nell'ambiente.

### Smaltimento dell'imballaggio



La confezione è composta da cartone e plastica corrispondente marcata che può essere riciclata.

-Ciò Rendere questi materiali adatti al riciclaggio

### Smaltimento di batterie e accumulatori



Le batterie e gli accumulatori in disuso non appartengono ai rifiuti domestici; devono essere smaltiti come prescritto dai regolamenti.

- Portare le batterie che non sono più utilizzabili al punto di raccolta o all'autorità locale.

- Non bruciare o disperdere nell'ambiente, ciò può provocare rischi di esplosione ed incendi!

## EC declaration of conformity

MACHINERY DIRECTIVE



(EC conformity mark)

O2 – POWER SCREWDRIVER

we declares that these products described under “technical data” are in compliance with:  
EN62841-1:2015, EN62841-2-5:2014.,

These products also comply with Directive 2006/42/EC, 2014/30/EU and 2011/65/EU. For more information, please contact us at the following address or refer to the back of the manual.

The undersigned is responsible for compilation of the technical file and makes this declaration on behalf of ALEAPOW TECHNOLOGY LIMITED

A handwritten signature in blue ink that reads "Zack Zhangzhong". The signature is written in a cursive, flowing style.

Zack Zhangzhong  
Director of Engineering  
ALEAPOW TECHNOLOGY LIMITED  
A16, Room 2102, 21/F, Futura Plaza, 111 How Ming Street,  
Kwun Tong, HONG KONG