

---

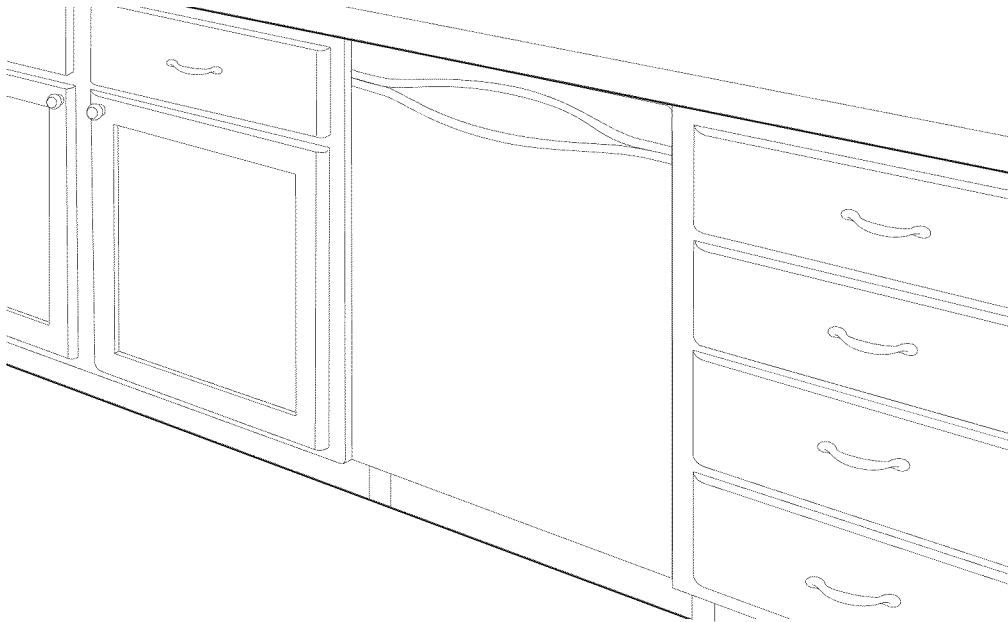
# BUILT-IN DISHWASHER INSTALLATION INSTRUCTIONS

---

## INSTRUCTIONS D'INSTALLATION DU LAVE- VAISSELLE ENCASTRÉ

---

Table of Contents/Table des matières.....2



**IMPORTANT:**

Save for local electrical inspector's use.

**Installer:** Leave installation instructions with the homeowner.

**Homeowner:** Keep installation instructions for future reference.

**IMPORTANT :**

Conserver pour consultation par l'inspecteur local des installations électriques.

**Installateur :** Remettre les instructions d'installation au propriétaire.

**Propriétaire :** Conserver les instructions d'installation pour référence ultérieure.

W10212195A

# TABLE OF CONTENTS

<b>DISHWASHER SAFETY</b> .....	2	Prepare Dishwasher .....	9
<b>INSTALLATION REQUIREMENTS</b> .....	3	Make Electrical Connections—Power Supply Cord Method .....	10
Tools and Parts .....	3	Adjust Leveler Legs .....	11
Location Requirements.....	3	Choose Mounting Options .....	12
Electrical Requirements.....	4	Install Dishwasher.....	13
Water Supply Requirements.....	5	Connect Dishwasher to Water Supply .....	14
Drain Requirements .....	5	Make Electrical Connections—Direct Wire Method .....	14
<b>INSTALLATION INSTRUCTIONS</b> .....	5	Attach Dishwasher to Cabinet.....	15
Prepare Cabinet Opening—Existing Utility Hookups.....	5	Complete Installation.....	17
Prepare Cabinet Opening—No Existing Utility Hookups.....	6		

# TABLE DES MATIÈRES

<b>SÉCURITÉ DU LAVE-VAISSELLE</b> .....	19	Préparation du lave-vaisselle .....	27
<b>EXIGENCES D'INSTALLATION</b> .....	20	Raccordement électrique—	
Outillage et composants.....	20	Méthode avec cordon d'alimentation électrique .....	28
Exigences d'emplacement .....	20	Ajuster la hauteur des pieds.....	29
Spécifications électriques.....	21	Choix des options de montage .....	30
Spécifications de l'alimentation en eau.....	22	Installation du lave-vaisselle .....	31
Exigences d'évacuation.....	22	Raccordement du lave-vaisselle à l'alimentation en eau.....	32
<b>INSTRUCTIONS D'INSTALLATION</b> .....	23	Raccordement électrique—Méthode de raccordement direct.....	33
Préparation de l'ouverture d'encastrement du placard—		Fixation du lave-vaisselle au placard .....	34
Moyens de raccordement préexistants.....	23	Achever l'installation.....	35
Préparation de l'ouverture d'encastrement du placard—			
Sans moyens de raccordement préexistants .....	23		

# DISHWASHER SAFETY

## Your safety and the safety of others are very important.

We have provided many important safety messages in this manual and on your appliance. Always read and obey all safety messages.



This is the safety alert symbol.

This symbol alerts you to potential hazards that can kill or hurt you and others.

All safety messages will follow the safety alert symbol and either the word “DANGER” or “WARNING.”

These words mean:

**⚠ DANGER**

You can be killed or seriously injured if you don't immediately follow instructions.

**⚠ WARNING**

You can be killed or seriously injured if you don't follow instructions.

All safety messages will tell you what the potential hazard is, tell you how to reduce the chance of injury, and tell you what can happen if the instructions are not followed.



## WARNING

### Tip Over Hazard

- Do not use dishwasher until completely installed.
- Do not push down on open door.
- Doing so can result in serious injury or cuts.

### You need to:

- Slowly open dishwasher door while someone grasps the rear of the dishwasher. Remove shipping materials. Close dishwasher door. Latch the dishwasher door closed.
- Observe all governing codes and ordinances.

- Install this dishwasher as specified in these instructions.
- Have everything you need to properly install dishwasher.
- Contact a qualified installer to ensure that dishwasher is installed to meet all electrical and plumbing national and local codes and ordinances.

## INSTALLATION REQUIREMENTS

### Tools and Parts

Gather the required tools and parts before starting installation. Read and follow the instructions provided with any tools listed here.

#### Tools Needed

- Pliers
- Phillips screwdriver
- Flat-blade screwdriver
- 3/16" and 1/4" nut drivers or hex sockets
- Measuring tape or ruler
- 10" adjustable wrench (opens to 1 1/8" [2.9 cm])
- Utility knife
- Flashlight
- Shallow pan
- Bath towel
- Wood block
- 5/8" open-end wrench
- Level
- Cordless drill (new installations only)
- 1/2", 3/4" and 1 1/2" hole saw bits (new installations only)
- Small tubing cutter (new installations only)
- Wire stripper (new installations only)

#### Parts Needed

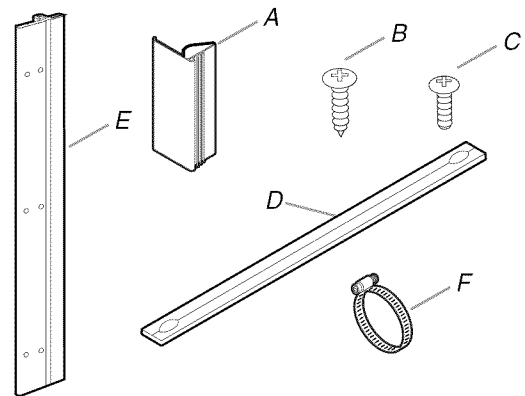
- 90° elbow fitting with 3/8" N.P.T. external threads on one end  
**NOTE:** The other end must fit your water supply line.
- UL-listed/CSA-approved twist-on wire connectors sized to connect household wiring to 16-gauge wiring
- Plumber's tape or pipe joint compound
- Copper tubing (3/8" O.D. suggested) or flexible braided water supply line
- Direct Wire Connection Only: UL-listed/CSA-approved conduit connector to fit 7/8" (2.2 cm) hole (see "Electrical Requirements")
- Power Supply Cord Connection: UL-listed power supply cord kit (Part Number 4317824) marked for use with dishwashers (see "Electrical Requirements")

#### NOTES:

- Parts available for purchase in plumbing supply stores.
- Check local codes.
- Check existing electrical supply. See "Electrical Requirements."

#### Parts Supplied

Check that all parts are included.



A. Sound seals (on some models) (2)  
B. Countertop mounting screws (2)  
C. Mounting screws (8)

D. Toekick panel seal (on some models)  
E. Mounting strips (2)  
F. Large drain hose clamp

### Location Requirements

**IMPORTANT:** Observe all governing codes and ordinances. Failure to meet codes and ordinances could lead to fire or electrical shock.

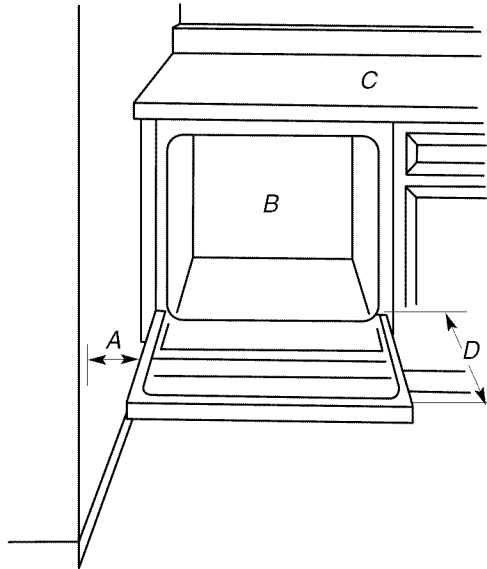
Proper installation is your responsibility.

- Grounded electrical supply required
- Contact a qualified installer to ensure that the dishwasher is installed to meet all electrical and plumbing national and local codes and ordinances.
- Install the dishwasher as specified in these instructions.
- Have everything you need to properly install dishwasher.
- Keep water lines leading to the dishwasher from freezing to avoid damage to the dishwasher. Damage from freezing is not covered by the warranty.
- This dishwasher is manufactured for indoor use only.
- Do not run drain lines, water lines or electrical wiring where they can interfere with or contact the dishwasher motor or legs.
- The location where the dishwasher will be installed must provide clearance between motor and flooring. Motor should not touch the floor.
- Do not install dishwasher over carpeted flooring.

## Minimum Clearances

Check location where the dishwasher will be installed. The location must provide:

- Easy access to water, electricity and drain.
- Convenient access for loading and unloading dishes. Corner locations require 2" (5.1 cm) minimum clearance between the side of the dishwasher door and the wall or cabinet.
- A minimum of 25 $\frac{5}{8}$ " (65.1 cm) is required in front of the dishwasher to allow the door to open fully.



A. 2" (5.1 cm) minimum clearance for door opening  
B. Dishwasher

C. Countertop  
D. 25 $\frac{5}{8}$ " (65.1 cm) minimum

- Square opening for proper orientation.
- Cabinet front perpendicular to floor.
- If the dishwasher will be left unused for a period of time or in a location where it may be subject to freezing, have it winterized by authorized service personnel.

## Electrical Requirements

### ⚠ WARNING



#### Electrical Shock Hazard

Plug into a grounded 3 prong outlet.

Do not remove ground prong.

Do not use an adapter.

Do not use an extension cord.

Failure to follow these instructions can result in death, fire, or electrical shock.

### GROUNDING INSTRUCTIONS

#### ■ For a grounded, cord-connected dishwasher:

The dishwasher must be grounded. In the event of a malfunction or breakdown, grounding will reduce the risk of electric shock by providing a path of least resistance for electric current. The dishwasher is equipped with a cord having an equipment-grounding conductor and a grounding plug. The plug must be plugged into an appropriate outlet that is installed and grounded in accordance with all local codes and ordinances.

**WARNING:** Improper connection of the equipment-grounding conductor can result in a risk of electric shock. Check with a qualified electrician or service representative if you are in doubt whether the dishwasher is properly grounded. Do not modify the plug provided with the dishwasher; if it will not fit the outlet, have a proper outlet installed by a qualified electrician.

#### ■ For a permanently connected dishwasher:

The dishwasher must be connected to a grounded metal, permanent wiring system, or an equipment-grounding conductor must be run with the circuit conductors and connected to the equipment-grounding terminal or lead on the dishwasher.

### SAVE THESE INSTRUCTIONS

It is the customer's responsibility:

- To contact a qualified electrical installer.
- To assure that the electrical installation is adequate and in conformance with National Electrical Code, ANSI/NFPA 70 - latest edition, and all local codes and ordinances.

## Requirements:

- 120-volt, 60 Hz, AC-only, 15- or 20-amp fused electrical supply
- Copper wire only, 2 wire with ground

## Recommended:

- Time-delay fuse or circuit breaker
- Separate circuit

## Direct Wire Connection

- Use flexible, armored or nonmetallic sheathed, copper wire with grounding wire that meets the wiring requirements for your home and local codes and ordinances.
- Use a UL-listed/CSA-approved conduit connector.

## Power Supply Cord Connection

Use Power Supply Cord Kit (Part Number 4317824) marked for use with dishwashers. Kit contents include:

- Voltex, Inc., UL-listed 16-gauge 3-wire power supply cord with a 3 prong grounding plug
- Neer C-500 7/8" strain relief
- 3 wire connectors
- Grommet (Part Number 302797)

Follow the kit instructions for installing the power supply cord.

**NOTE:** Power supply cord must plug into a mating, grounded 3 prong outlet, located in the cabinet next to the dishwasher opening. Outlet must meet all local codes and ordinances.

**IMPORTANT:** If you plan to install a garbage disposal, an additional separate 120-volt, 60 Hz, AC-only, 15- or 20-amp fused electrical supply is required.

## Water Supply Requirements

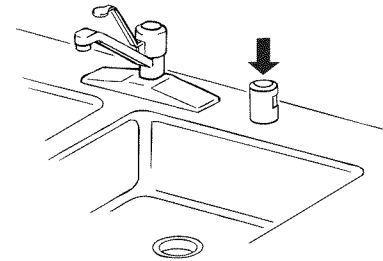
- A hot water line with 20-120 psi (138-862 kPa) water pressure.
- 120°F (49°C) water temperature at dishwasher.
- 3/8" O.D. copper tubing with compression fitting or flexible braided water supply line.  
**NOTE:** 1/2" minimum plastic tubing is not recommended.
- 90° elbow with 3/8" N.P.T. external pipe threads on one end.

**IMPORTANT:** Do not solder within 6" (15.2 cm) from water inlet valve.

## Drain Requirements

- Use the new drain hose supplied with your dishwasher.  
**NOTE:** If a longer drain hose is required:
  - Use a new drain hose with maximum length of 12 ft (3.7 m) that meets all current AHAM/IAPMO test standards.
  - Use a new drain hose that is resistant to heat and detergent.
  - Use a new drain hose that fits the 1" (2.5 cm) drain connector on the dishwasher.
- Connect drain hose to waste tee or disposal inlet above drain trap in house plumbing.
- Connect drain hose to house plumbing 20" (50.8 cm) minimum above the floor.  
**NOTE:** It is recommended that the drain hose either be looped up and securely fastened to the underside of the counter, or be connected to an air gap.
  - Use a drain air gap if the drain hose is connected to house plumbing lower than 20" (50.8 cm) above the subfloor or floor.

## Drain Air Gap



- Use 1/2" (1.3 cm) minimum I.D. drain line fittings.
- If required, the drain air gap should be installed in accordance with the drain air gap installation instructions. When connecting the drain air gap, a rubber hose (not provided) will be needed to connect to the waste tee or disposer inlet.

**NOTE:** Do not connect drain lines from other devices to the dishwasher drain hose.

# INSTALLATION INSTRUCTIONS

## ⚠ WARNING



### Electrical Shock Hazard

**Disconnect electrical power at the fuse box or circuit breaker box before installing dishwasher.**

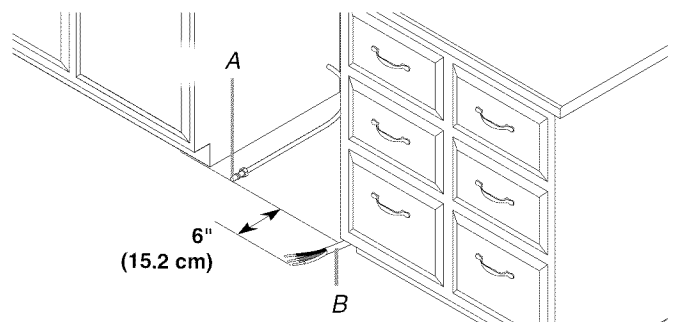
**Failure to do so can result in death or electrical shock.**

1. Disconnect power.
2. Turn off water supply.

## Prepare Cabinet Opening— Existing Utility Hookups

Follow the steps in this section if you are installing the dishwasher in an existing cabinet opening with utility hookups.

1. Check that the water supply line reaches to the front left-hand side of the opening where the water connection will be made.
2. Check that the direct wire reaches to the front right-hand side of the opening where the electrical connection will be made.



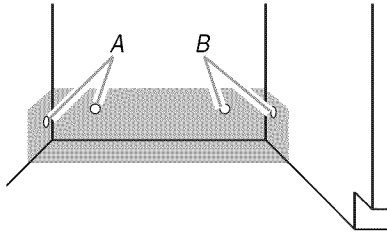
A. Water supply line  
B. Direct wire

3. If the existing utilities extend to the locations shown, see "Install Drain Hose."
4. If the utilities do not extend to the locations shown, see "Prepare Cabinet Opening—No Existing Utility Hookups."

## Prepare Cabinet Opening—No Existing Utility Hookups

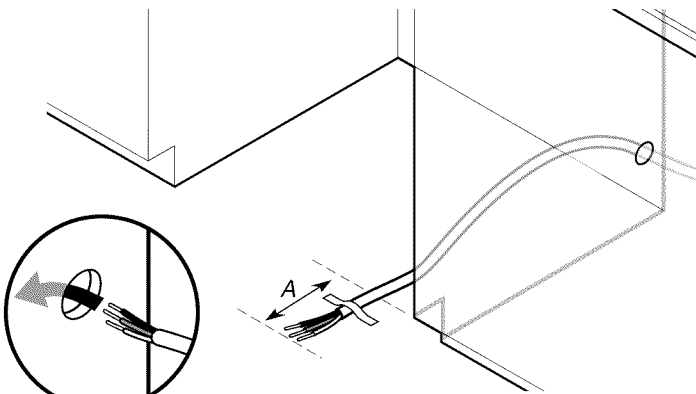
### Install Electrical Connection—Direct Wire Method

1. Drill a  $\frac{3}{4}$ " (1.9 cm) hole in the right-hand cabinet side or the rear of the opening.



A. Optional locations  
B. Preferred locations

2. If the cabinet is wood, sand the hole until smooth. If the cabinet is metal, cover the hole with a grommet (not provided).
3. Route the wire from the power supply through the cabinet hole. The wire must extend to the front right-hand side of the cabinet opening.
4. Tape the wire to the floor in the area shown. This will keep the wire from moving when the dishwasher is moved into the cabinet opening.

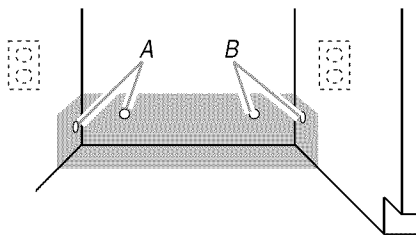


A. 6" (15.2 cm)

### Install Electrical Connection—Power Supply Cord Method

**NOTE:** A mating, grounded 3 prong outlet is required in a cabinet next to the dishwasher opening.

1. Drill a  $1\frac{1}{2}$ " (3.8 cm) hole in the cabinet side or the rear of the opening.

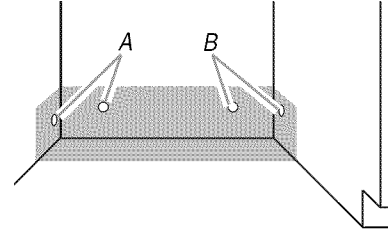


A. Optional locations  
B. Preferred locations

2. If the cabinet is wood, sand hole until smooth. If the cabinet is metal, cover the hole with a grommet (Part Number 302797) included with power supply cord kit. See "Electrical Requirements."

### Install Water Line

1. Drill a  $\frac{1}{2}$ " (1.3 cm) hole in the left-hand cabinet side or the rear of opening.

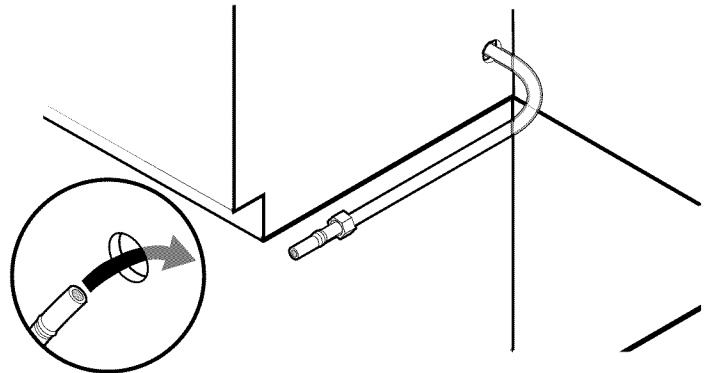


A. Preferred locations  
B. Optional locations

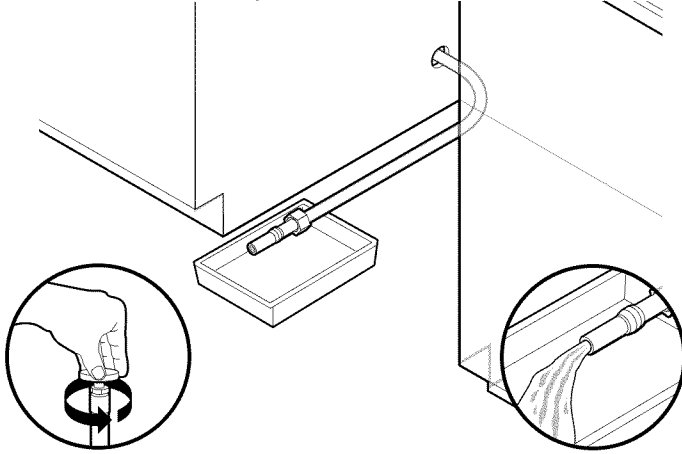
2. Measure the overall length of the water line (copper tubing or flexible braided water supply line) required.
  3. Attach the water line (copper tubing or flexible braided water supply line) to the hot water supply line in compliance with local codes and ordinances.
- NOTE:** The hot water supply line should have a manual shutoff valve.
4. Slowly route the water line (copper tubing or flexible braided water supply line) through the hole in the cabinet.

**NOTE:** Copper tubing will bend and kink easily.

The water line (copper tubing or flexible braided water supply line) should be far enough into the cabinet opening to connect to the dishwasher inlet on the front left-hand side of the dishwasher.



- Turn on the water shutoff valve. Run water into a shallow pan to flush the water line (copper tubing or flexible braided water supply line) of particles that may clog the inlet valve.

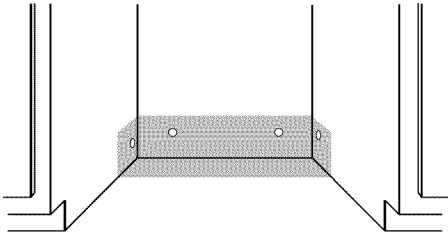


- Turn off the water shutoff valve.

### Install Drain Hose

**IMPORTANT:** Always use a new drain hose even when installing a new replacement dishwasher.

- Drill a 1½" (3.8 cm) diameter hole in the cabinet wall on the side of the opening closest to the sink.



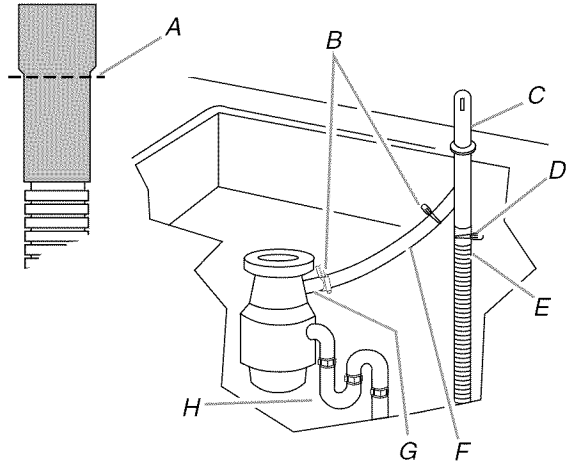
### Connect Drain Hose to Air Gap—Waste Disposer

- Remove the waste disposer knockout plug. Cut the end of the drain hose, if needed.
 

**NOTE:** Do not cut the ribbed section.
- Attach the drain hose to the air gap with the large drain hose clamp (provided).
 

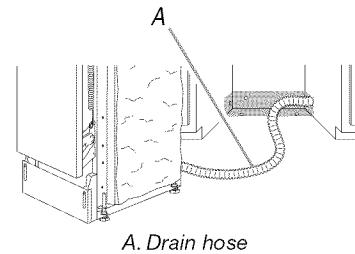
**NOTE:** If the drain hose was cut, use 1½" to 2" (3.8 to 5 cm) screw-type clamp (not provided).

- Use a rubber hose connector (not provided) with screw-type clamps (not provided) to connect the air gap to the waste disposer inlet above the drain trap and at least 20" (50.8 cm) above the floor.



- |                                      |   |
|--------------------------------------|---|
| A. Drain hose—cut here, if needed    | E. Drain hose                           |
| B. Screw-type clamps                 | F. Rubber hose connector (not provided) |
| C. Air gap                           | G. Disposer inlet                       |
| D. Large drain hose clamp (provided) | H. Drain trap                           |

- Insert the drain hose through the hole cut in the cabinet and to the front and center of the opening where the drain connection will be made.



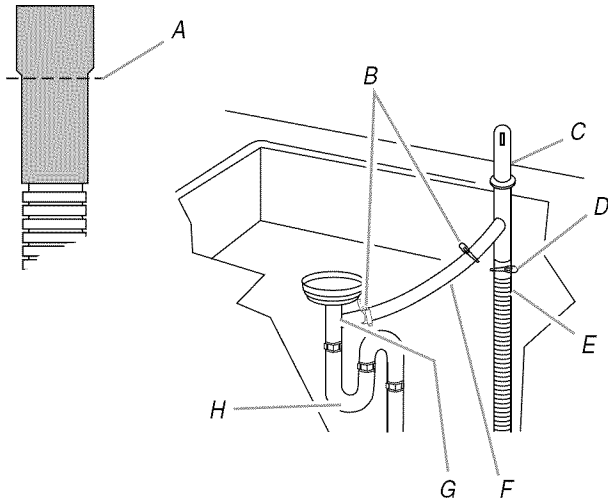
### Connect Drain Hose to Air Gap—No Waste Disposer

- Cut the end of the drain hose, if needed.
 

**NOTE:** Do not cut the ribbed section.
- Attach the drain hose to the air gap with the large drain hose clamp (provided).
 

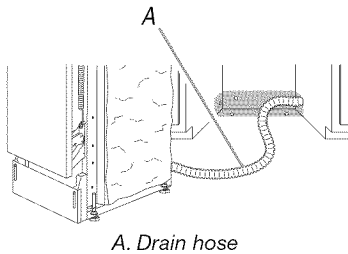
**NOTE:** If the drain hose was cut, use 1½" to 2" (3.8 to 5 cm) screw-type clamp (not provided).

- Use a rubber hose connector (not provided) with screw-type clamps (not provided) to connect the air gap to the waste tee above the drain trap and at least 20" (50.8 cm) above the floor.



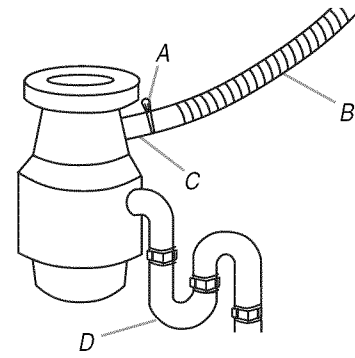
- |                                      |   |
|--------------------------------------|---|
| A. Drain hose—cut here, if needed    | E. Drain hose                           |
| B. Screw-type clamps (not provided)  | F. Rubber hose connector (not provided) |
| C. Air gap                           | G. Waste tee                            |
| D. Large drain hose clamp (provided) | H. Drain trap                           |

- Insert the drain hose through the hole cut in the cabinet and to the front and center of the opening where the drain connection will be made.



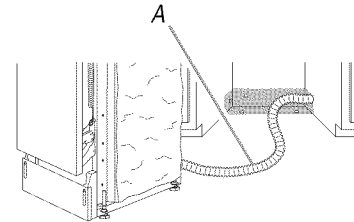
A. Drain hose

**NOTE:** It is recommended that the drain hose be looped up and securely fastened to the underside of the counter.



- |                                      |                   |
|--------------------------------------|-------------------|
| A. Large drain hose clamp (provided) | C. Disposer inlet |
| B. Drain hose                        | D. Drain trap     |

- Insert the drain hose through the hole cut in the cabinet and to the front and center of the opening where the drain connection will be made.



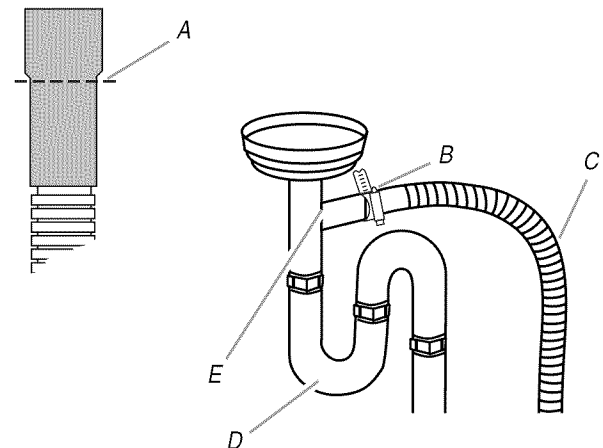
A. Drain hose

### Connect Drain Hose—No Waste Disposer or Air Gap

- Cut the end of the drain hose, if needed.  
**NOTE:** Do not cut the ribbed section.
- Attach the drain hose to the waste tee with the large drain hose clamp (provided).

**NOTES:**

- If the drain hose was cut, use 1½" to 2" (3.8 to 5 cm) screw-type clamp (not provided).
- This connection must be before the drain trap and at least 20" (50.8 cm) above the floor.
- It is recommended that the drain hose be looped up and securely fastened to the underside of the counter.



- |                                      |               |
|--------------------------------------|---------------|
| A. Drain hose—cut here, if needed    | D. Drain trap |
| B. Large drain hose clamp (provided) | E. Waste tee  |
| C. Drain hose                        |               |

## Prepare Dishwasher

### ⚠ WARNING



#### Tip Over Hazard

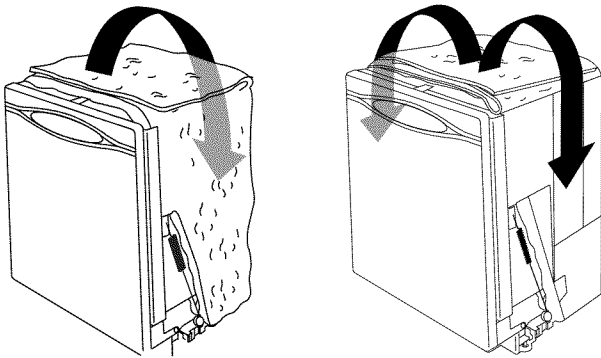
Do not use dishwasher until completely installed.  
Do not push down on open door.  
Doing so can result in serious injury or cuts.

### ⚠ WARNING

#### Excessive Weight Hazard

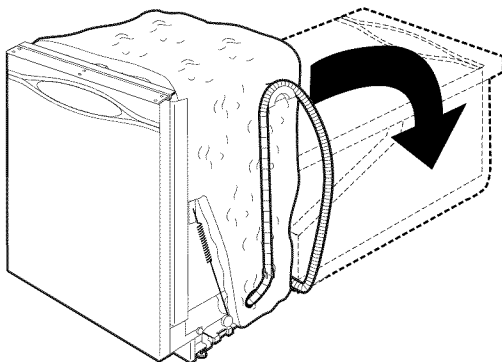
Use two or more people to move and install dishwasher.  
Failure to do so can result in back or other injury.

1. Fold insulation down over back and sides of dishwasher (on some models).



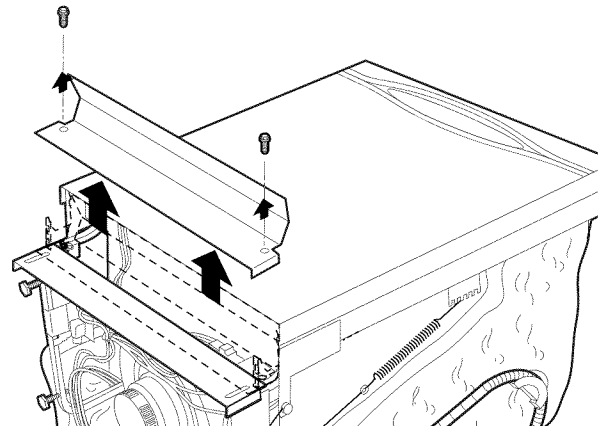
2. Using 2 or more people, place the dishwasher on its back on a piece of cardboard.

**NOTE:** If the door panel will be used as a work table, place a towel over it to avoid damage to the door panel.

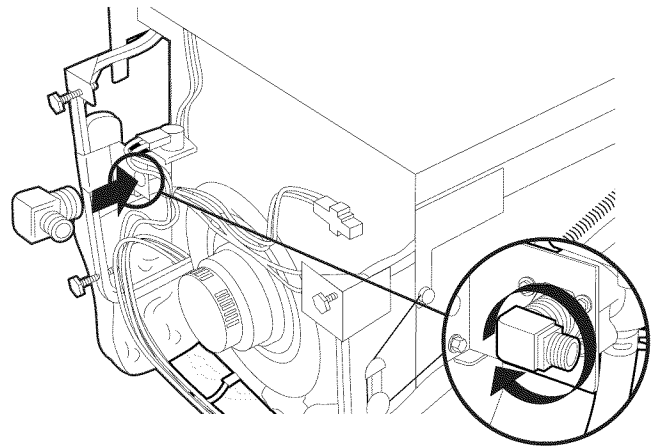


3. Using a 1/4" hex socket, nut driver or Phillips screwdriver, remove the 4 screws attaching the toekick panel and lower panel to the dishwasher.

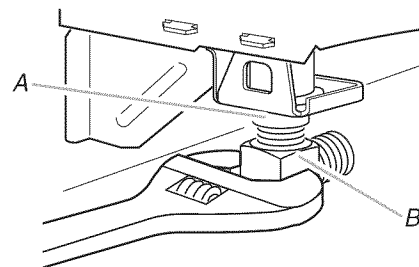
**NOTE:** Do not remove the tech sheet from the access panel.



4. Remove both panels and set aside on a covered surface.
5. Apply plumber's tape or pipe joint compound to the 90° elbow fitting and connect the fitting to the water inlet valve.



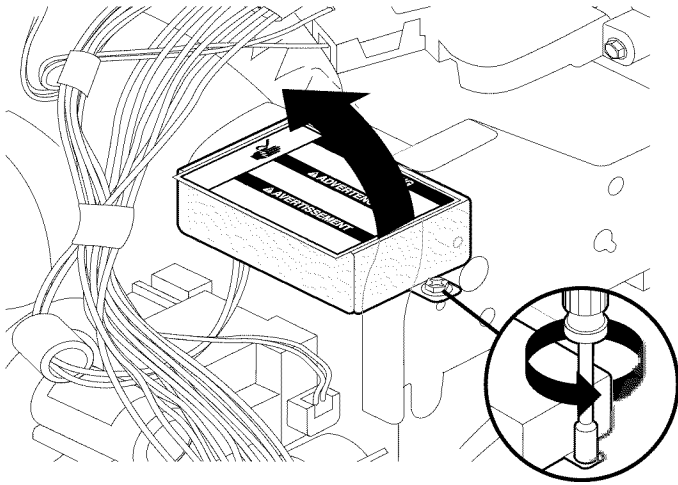
6. Tighten the 90° elbow fitting until snug.
- NOTE:** Elbow should face to the rear of the dishwasher.



A. Water inlet valve  
B. Elbow

## Prepare Terminal Box

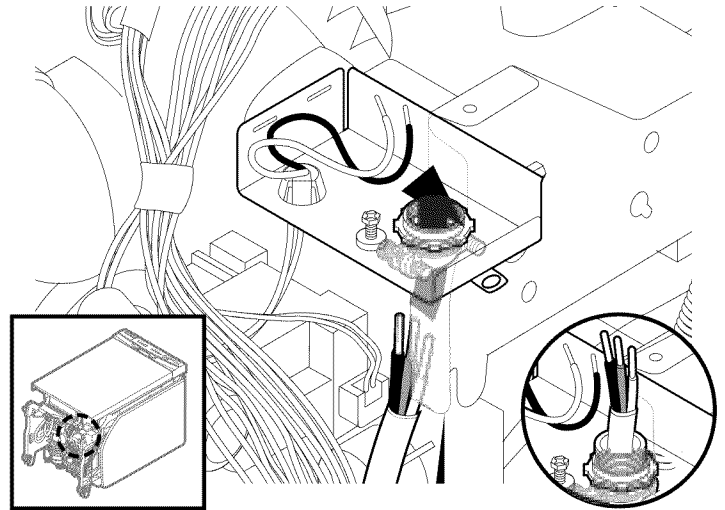
1. Using a 1/4" hex-head socket, nut driver or Phillips screwdriver, remove the terminal box cover. Lay the cover aside.



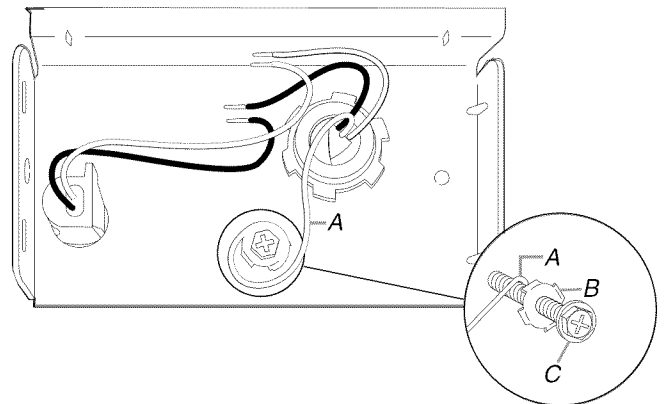
2. Install a UL-listed/CSA-approved conduit connector (may be provided in power supply cord kit [Part Number 4317824]). Check that screwheads are facing to the left when tightening the conduit nut.

**NOTE:** If your dishwasher will be connected by the direct wire connection, please see "Adjust Leveler Legs."

2. Pull the power supply cord through the conduit connector in the terminal box.

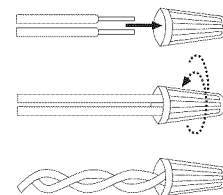


3. Remove the green grounding screw and place the screw through the ring terminal of the green ground wire. Reattach and tighten the green grounding screw.



A. Green ground wire  
B. Washer  
C. Green grounding screw

4. Using UL-listed/CSA approved twist-on connectors sized to connect the power supply cord to 16-gauge dishwasher wire, connect the white wire from the power supply cord to the white wire on the terminal box.



## Make Electrical Connections—Power Supply Cord Method

### ⚠ WARNING



#### Electrical Shock Hazard

**Electrically ground dishwasher.**

**Connect ground wire to green ground connector in terminal box.**

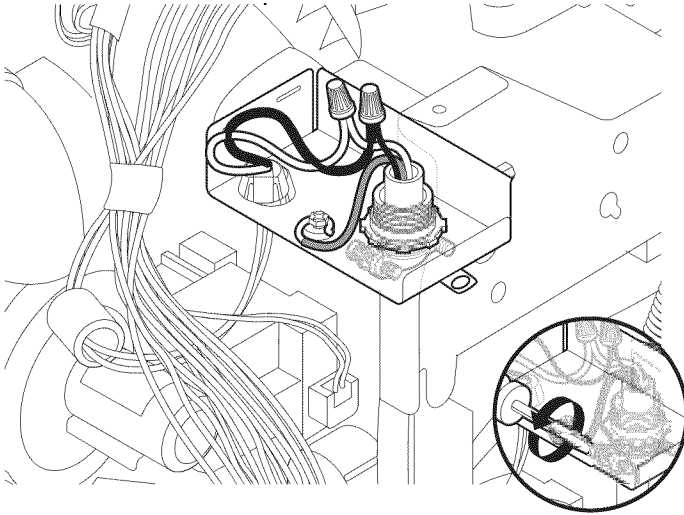
**Do not use an extension cord.**

**Failure to follow these instructions can result in death, fire, or electrical shock.**

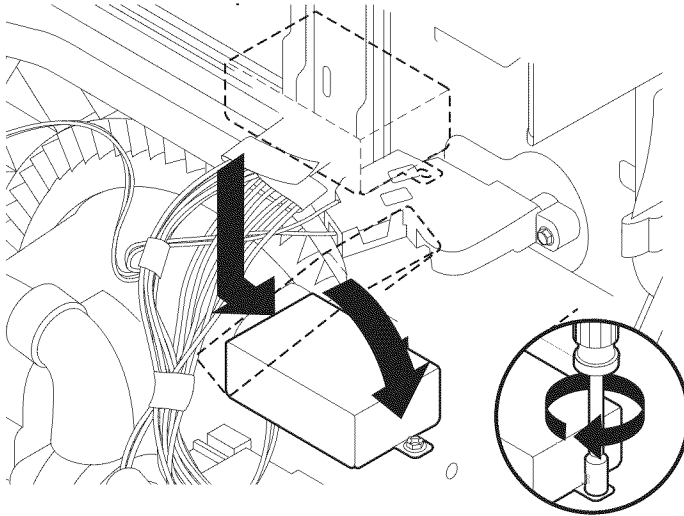
The power supply cord and connections must comply with the National Electrical Code, Section 422 and/or local codes and ordinances. Install the power supply cord according to the installation instructions included with the power supply cord kit.

1. Route the power supply cord so that it does not touch the dishwasher motor or the lower part of the dishwasher tub.

- Using UL-listed/CSA approved twist-on connectors sized to connect power supply cord to 16-gauge dishwasher wire, connect the black wire from the power supply cord to the black wire on the terminal box.
- Tighten the conduit connector screws to secure the power supply cord.



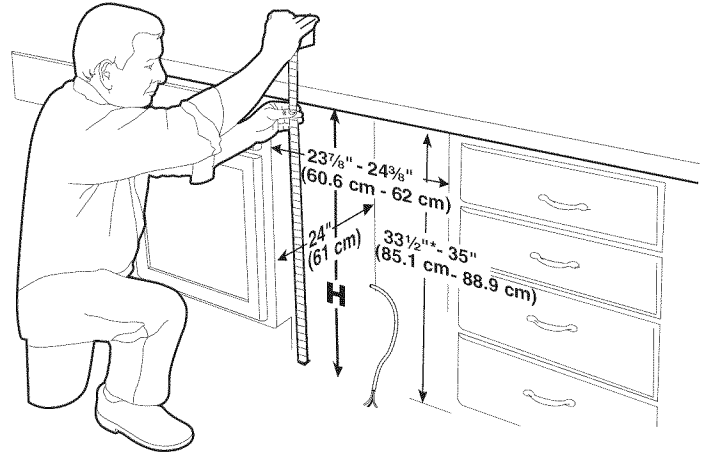
- Insert tabs on the left-hand side of the terminal box cover.
- Using a 1/4" nut driver and previously removed screw, reinstall the terminal box cover with the wires inside terminal box.



- Check that no wires are pinched by the cover.
- NOTE:** Do not plug power supply cord into outlet until instructed.

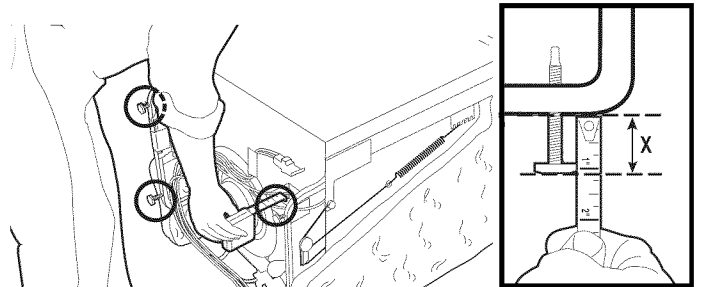
## Adjust Leveler Legs

- Measure the cabinet opening height.



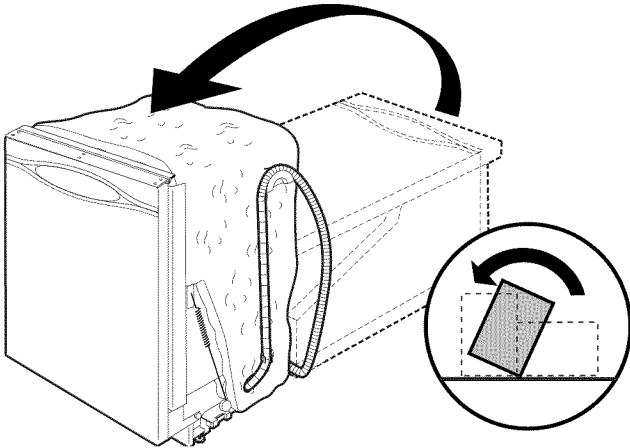
- Adjust the dishwasher leg height according to the following chart. Turn both of the leveler legs to the same height.

Height (H)	Adjusted Leg Height (X)	Adjusted Leg Height (H)	Adjusted Leg Height (X)
33 1/2" (85.1 cm)	0"	34 3/8" (87.4 cm)	7/8" (2.2 cm)
33 5/8" (85.4 cm)	1/8" (0.3 cm)	34 1/2" (87.7 cm)	1" (2.5 cm)
33 3/4" (85.7 cm)	1/4" (0.6 cm)	34 5/8" (88 cm)	1 1/8" (2.8 cm)
33 7/8" (86 cm)	3/8" (1 cm)	34 3/4" (88.3 cm)	1 1/4" (3.1 cm)
34" (86.4 cm)	1/2" (1.3 cm)	34 7/8" (88.6 cm)	1 3/8" (3.5 cm)
34 1/8" (86.7 cm)	5/8" (1.6 cm)	35" (88.9 cm)	1 1/2" (3.8 cm)
34 1/4" (87 cm)	3/4" (1.9 cm)		



## Choose Mounting Options

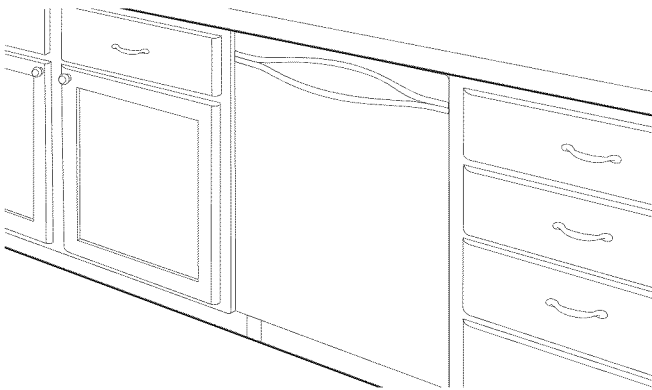
- Using 2 or more people, stand dishwasher upright.



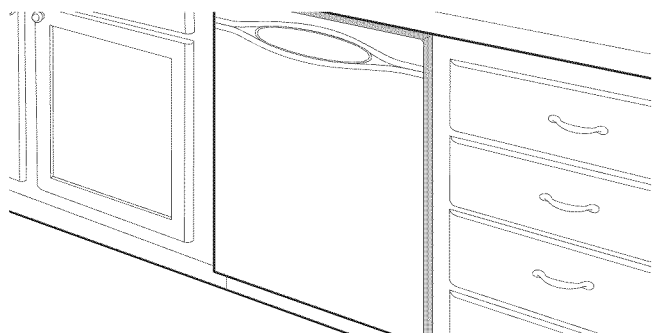
### NOTES:

- Sound barrier strips are required for optimum sound performance.
- Plastic tub dishwashers come with flush mount option only.
- For door extended option, order trim strip kit number:  
W10189262 (white)  
W10189264 (bisque)  
W10189265 (black)

### Door Flush with Cabinet Face—See “Install Dishwasher”

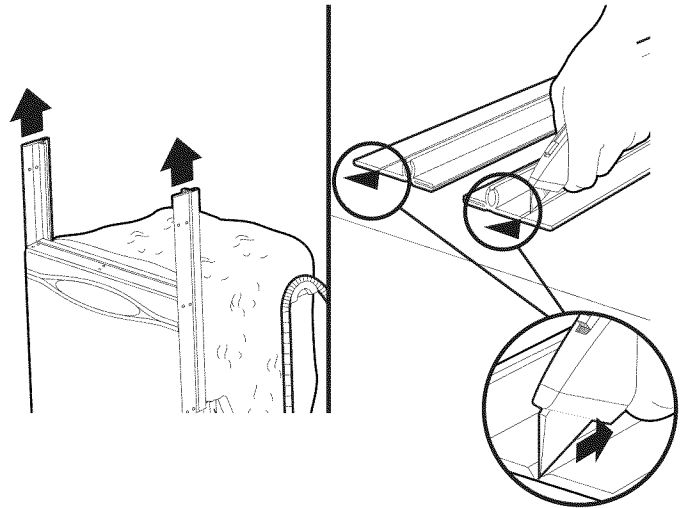


### Door Extended to Match Drawer and Door Fronts—Stainless Steel Tub Only

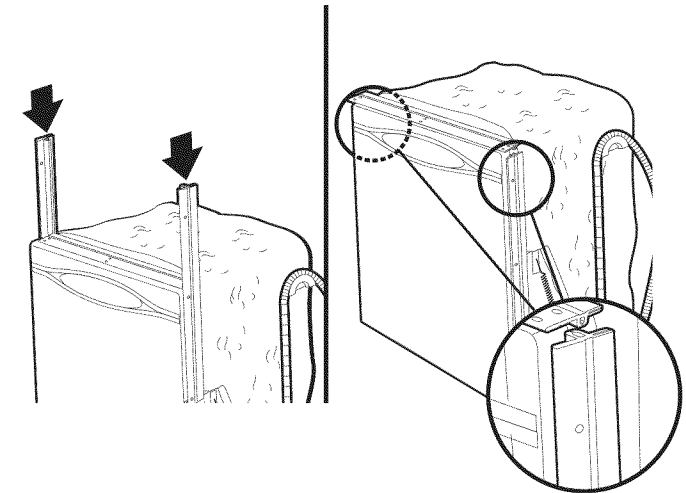


- Slide the sound barrier strips up to remove.

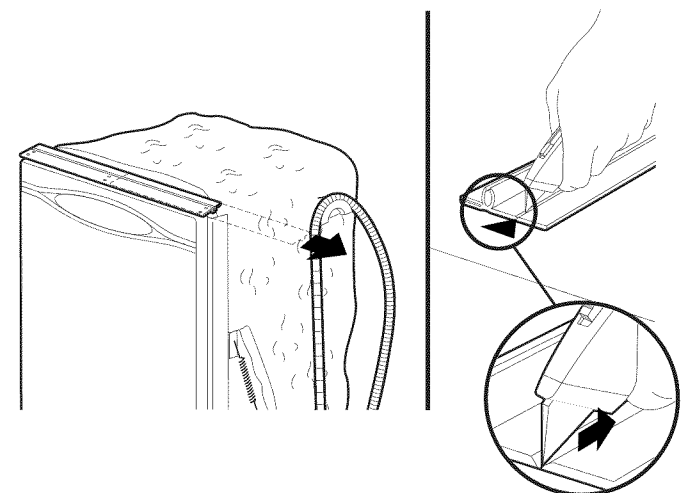
- Cut the sound barrier strips to align with the drawers and cabinet doors.



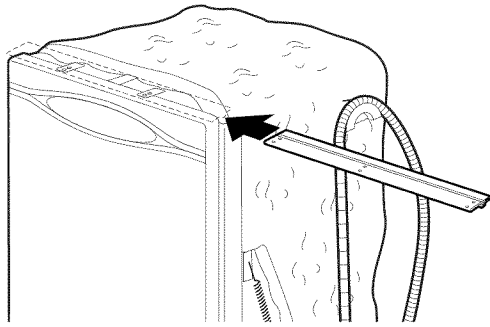
- Reinstall the sound barrier strips by sliding the strips down onto the door sides.
- Check that the sound barrier strips align with the top strip as shown.



- Remove the top sound barrier strip by sliding the strip to the right.
- Cut the sound barrier strip to align with the drawers and cabinet doors.

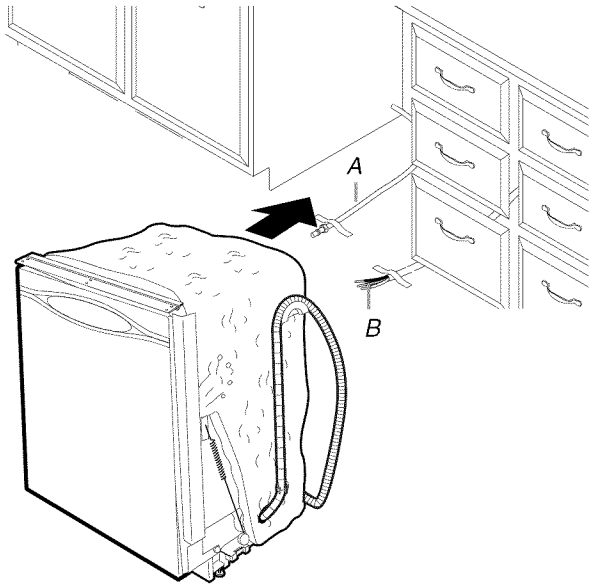


- Reinstall the top sound barrier strip by sliding the strip onto the top of the dishwasher door.



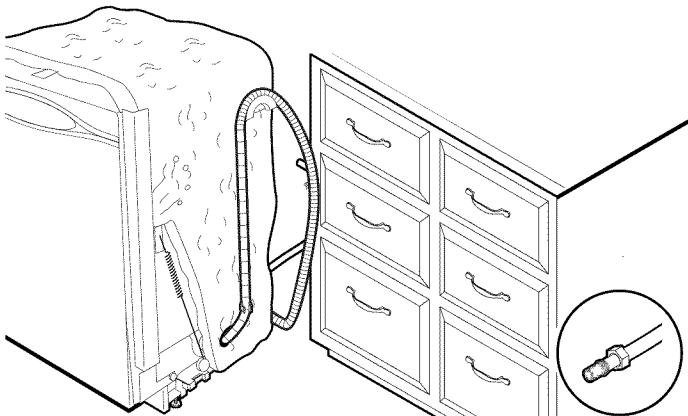
## Install Dishwasher

- Check that the utilities are installed correctly and in the correct location.



A. Water line  
B. Direct wire connection only

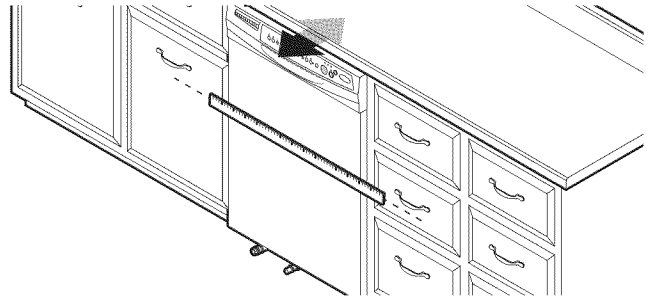
- Grasp the sides of the dishwasher door panel and move the dishwasher close to the cabinet opening.  
**NOTE:** Do not push on the front of the door panel or on the console to avoid damage to the dishwasher.
- Check that utilities are taped to the floor in the correct locations.
- Check that the water line is on the left-hand side of the cabinet opening.



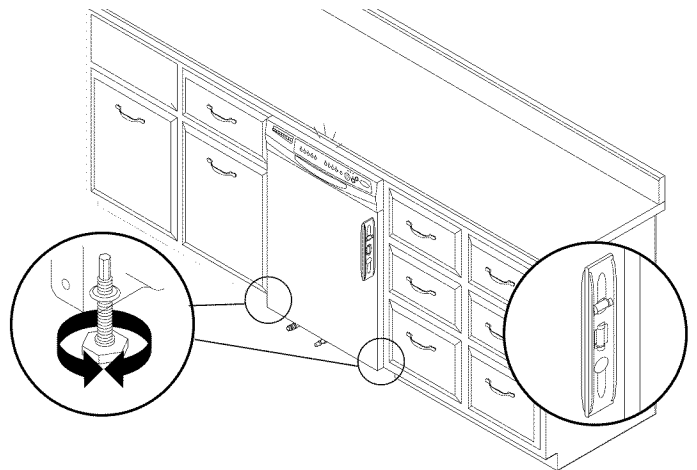
- For power supply cord installations—route the power supply cord through the cutout in the cabinet.
- Move the dishwasher completely into the cabinet opening.  
**NOTE:** Do not kink or pinch the water line, drain hose, power supply cord or direct wire between the dishwasher and the cabinet.
- Remove the cardboard from underneath the dishwasher.

### NOTES:

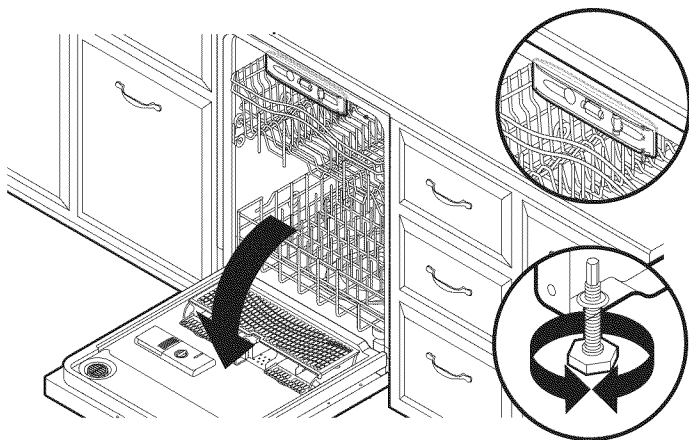
- If the dishwasher fits tightly into the cabinet opening, do not remove the insulation blanket. The blanket reduces the sound level.
  - If using the power supply cord, check that the cord is routed through the hole in the cutout before sliding the dishwasher into the cabinet opening.
- Align the front of the dishwasher with the front of the cabinet doors. You may need to adjust the alignment to be even with the cabinets.



- Check that the leveling legs are firmly against the floor.
- Close and latch the door, and place the level against the front panel.
- Check that the dishwasher is centered from front to back in the opening. If needed, adjust the leveling leg until the dishwasher is plumb.



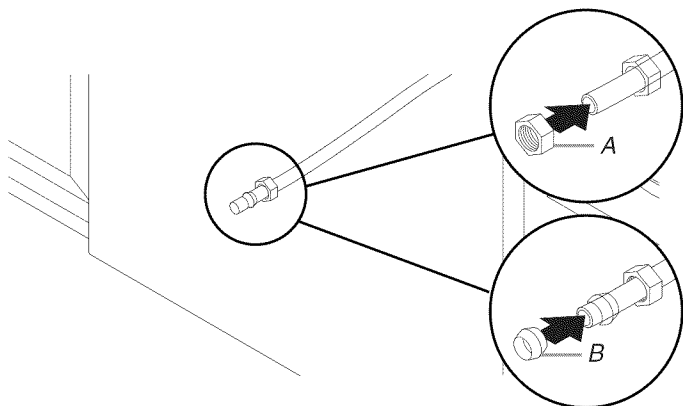
12. Repeat for the other side of the dishwasher.
13. Place the level against the top front opening of the tub.
14. Check that the dishwasher is level from side to side. If the dishwasher is not level, adjust the front legs up or down until the dishwasher is level.



## Connect Dishwasher to Water Supply

1. Route the water supply line so that it does not touch the dishwasher base, frame or motor.
2. Slide the nut onto the copper tubing about 1" (2.5 cm).
3. Slide the ferrule onto the copper tubing.

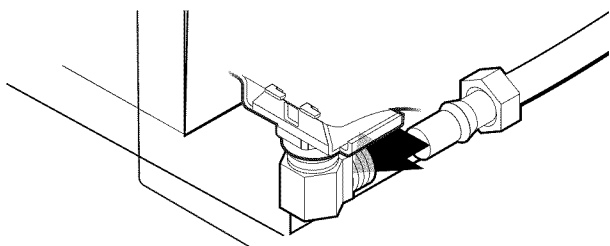
**NOTE:** Do not position ferrule on the end of the tubing.



A. Nut  
B. Ferrule

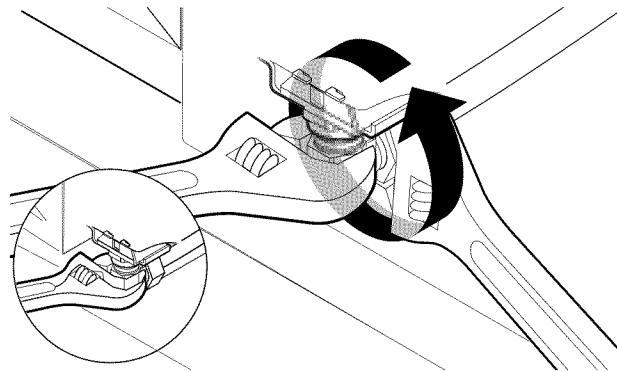
4. Push the copper tubing into the elbow as far as it will go. Avoid bending or kinking the copper tubing.
5. Slide the nut and ferrule forward and start the nut onto the elbow threads.
6. For flexible braided connection, secure the nut to the elbow using a  $\frac{5}{8}$ " open-ended wrench or adjustable wrench.

**NOTE:** Do not use Teflon® tape with compression fittings.



®Teflon is a registered trademark of E.I. Dupont de Nemours and Company.

7. Hold the 90° elbow fitting with one adjustable wrench and tighten the nut with the second adjustable wrench or  $\frac{5}{8}$ " open-ended wrench.



8. Place paper towel under the elbow.
9. Turn on the water supply.
10. Check for leaks.

## Make Electrical Connections—Direct Wire Method

Check "Electrical Requirements" before beginning.

Ensure that the electrical installation is adequate and in conformance with all national and local codes and ordinances.

### ⚠ WARNING



#### Electrical Shock Hazard

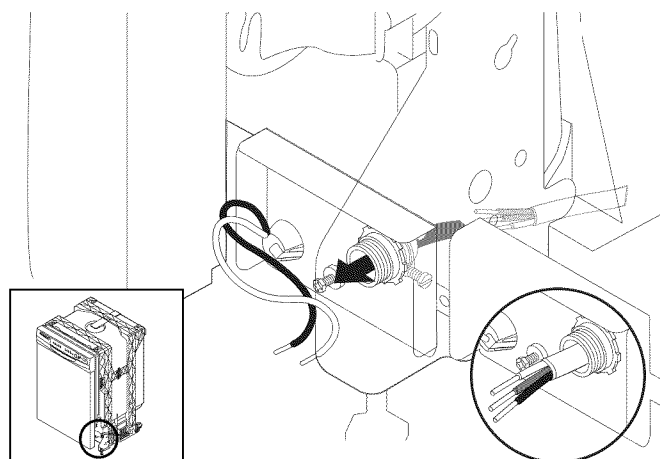
Electrically ground dishwasher.

Connect ground wire to green ground connector in terminal box.

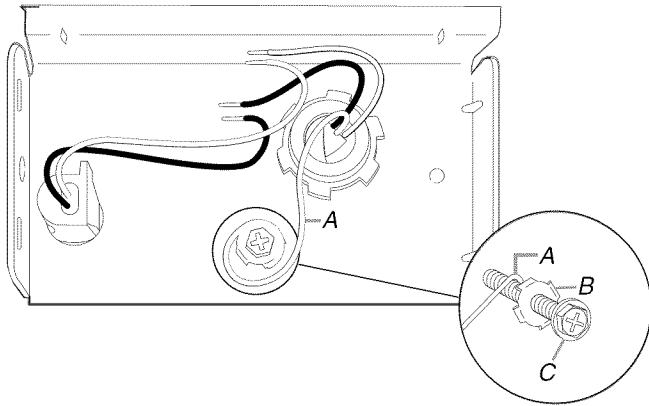
Do not use an extension cord.

Failure to follow these instructions can result in death, fire, or electrical shock.

1. Route the direct wire so that it does not touch the dishwasher motor or lower part of the dishwasher tub.
2. Pull the direct wire through the conduit connector in the terminal box.

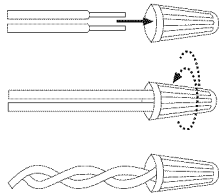


3. Form a U-shaped hook on the bare ground wire.
4. Wrap the ground wire hook clockwise around the green grounding screw and under the washer.
5. Tighten the green grounding screw.

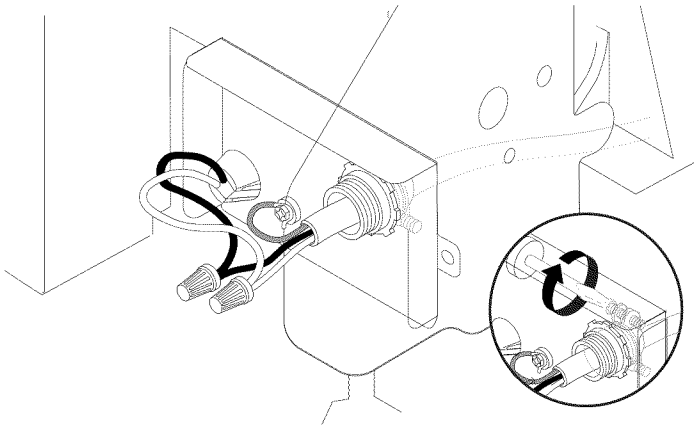


A. Bare ground wire  
B. Washer  
C. Green grounding screw

6. Using UL-listed/CSA-approved twist-on connectors sized to connect direct wire to 16-gauge dishwasher wire, connect the white wire from the power supply to the white wire on the terminal box.

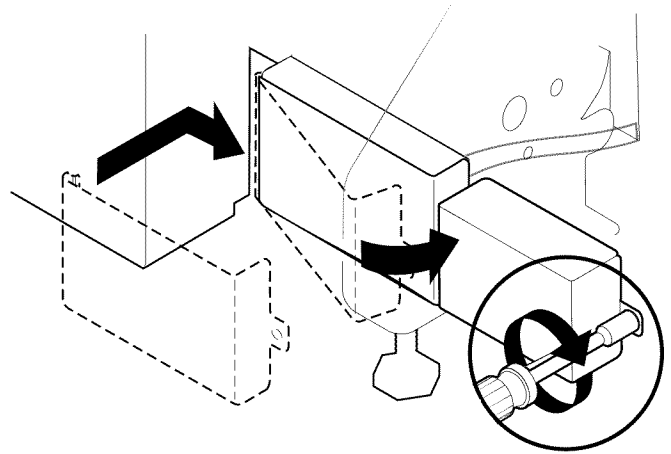


7. Using UL-listed/CSA-approved twist-on connectors sized to connect direct wire to 16-gauge dishwasher wire, connect the black wire from the power supply to the black wire on the terminal box.



8. Tighten the conduit connector screws.  
**NOTE:** Make sure the screwheads are facing to the left when tightening the conduit nut.
9. Insert tabs on the left-hand side of the terminal box cover.

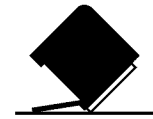
10. Using a 1/4" nut driver and previously removed screw, reinstall the terminal box cover with the wires inside terminal box.



11. Check that no wires are pinched by the cover.

## Attach Dishwasher to Cabinet

### ⚠ WARNING



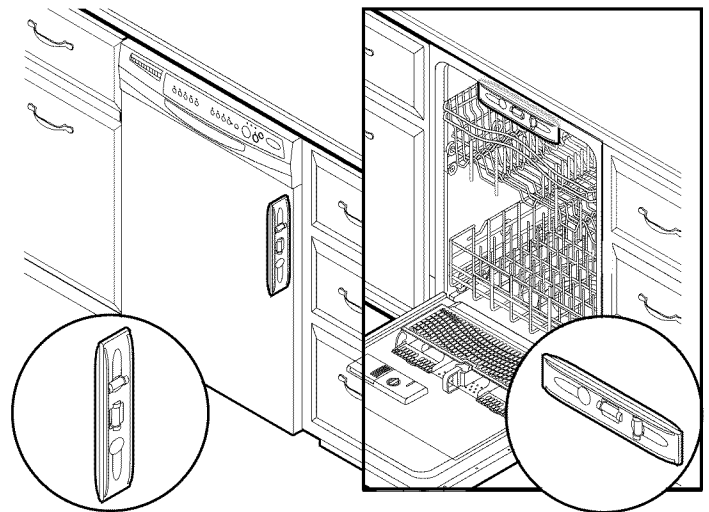
#### Tip Over Hazard

Do not use dishwasher until completely installed.

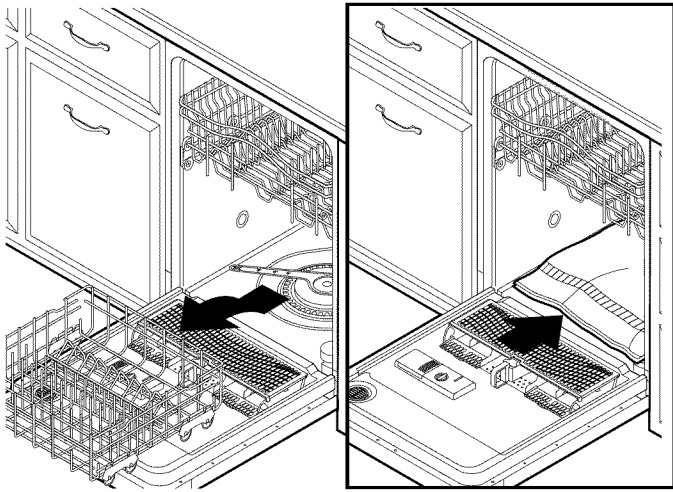
Do not push down on open door.

Doing so can result in serious injury or cuts.

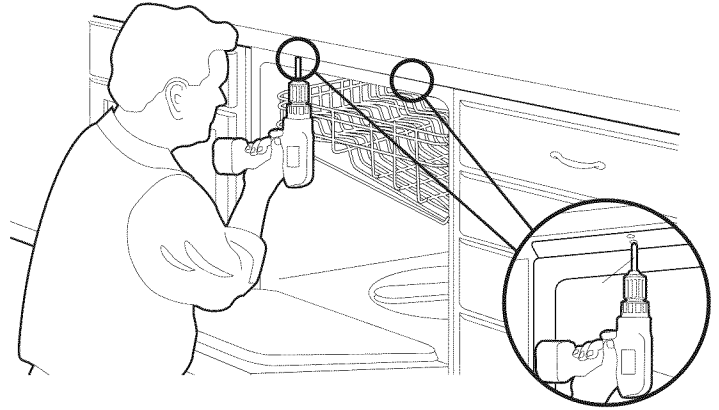
1. Check that dishwasher is still level front to back and side to side in the cabinet opening.



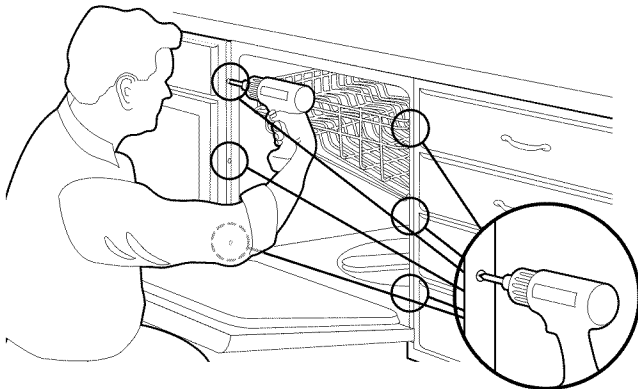
2. Open the dishwasher door and remove the lower dish rack.
3. Place a towel over the pump assembly and spray arm of the dishwasher to keep the screws from falling into the pump area during installation.



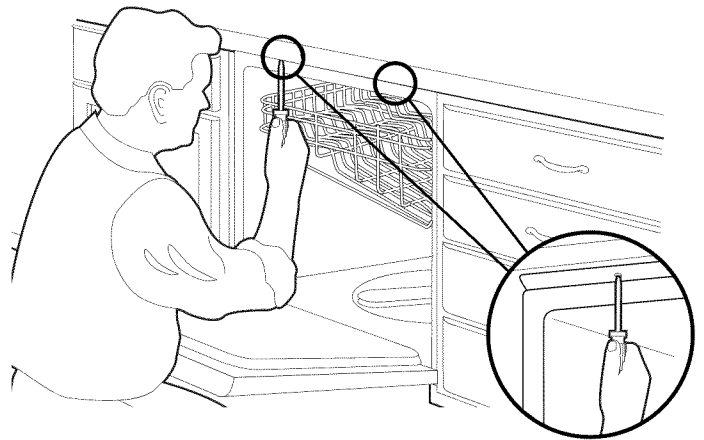
6. For wood underside counters only, use 1/8" drill bit to drill holes through the top mounting strip into the wood underside of the counter.



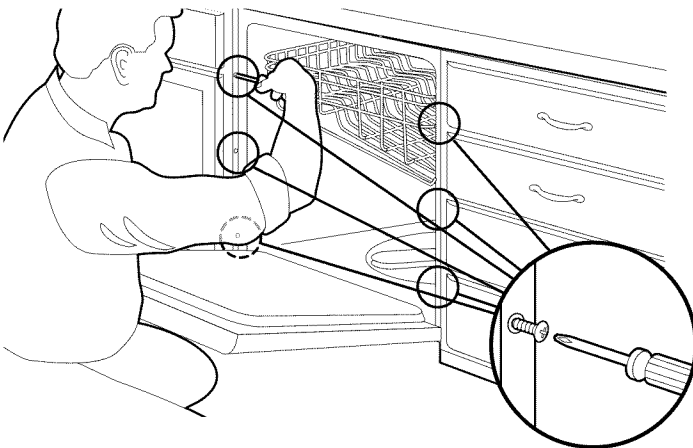
4. Open the door. Using a 1/8" drill bit, drill holes through the side mounting strips.



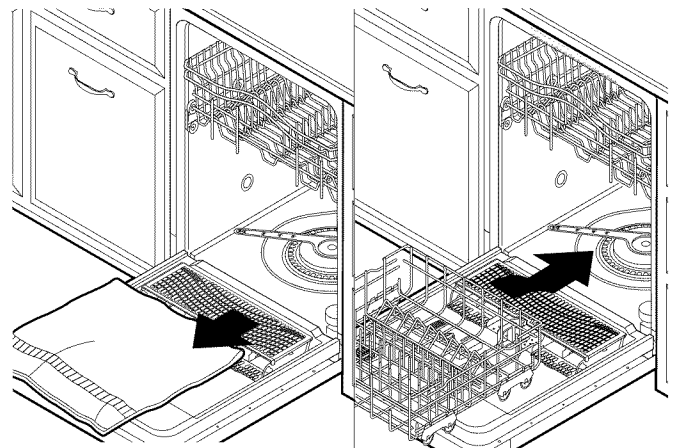
7. Use the countertop mounting screws to attach the dishwasher to the counter.



5. Insert the mounting screws (provided) through the holes into the cabinet to attach the dishwasher to the cabinet.

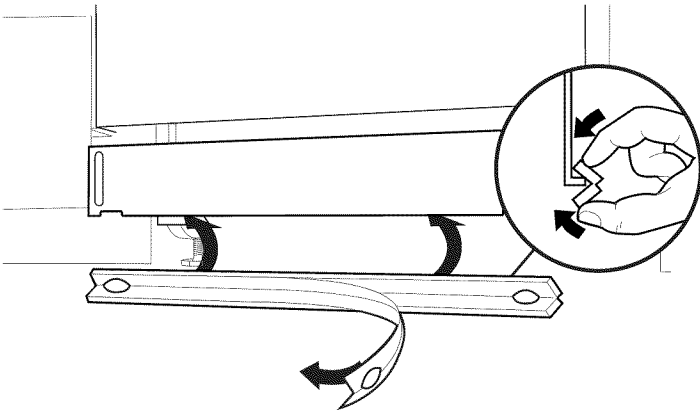


8. Remove the towel from the dishwasher.
9. Reinstall the lower dish rack.

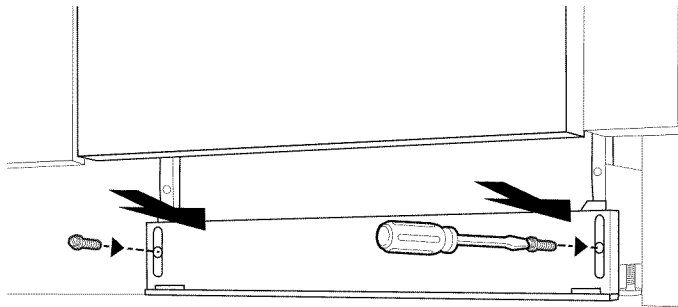


## Complete Installation

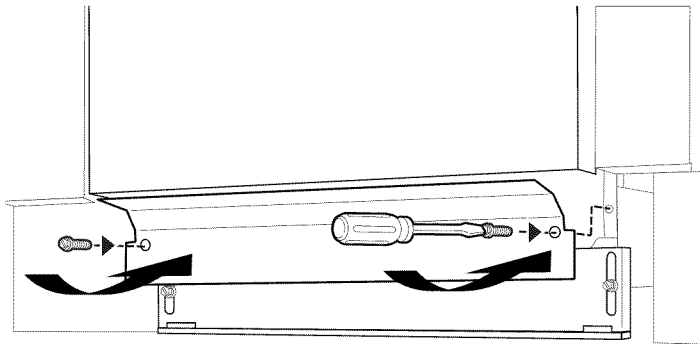
1. On some models, remove the backing and attach the sound barrier strip below the dishwasher door.



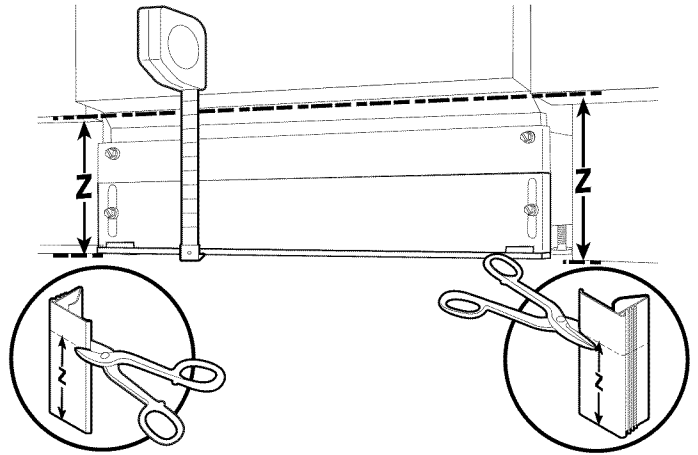
2. Reinstall the lower panel first.



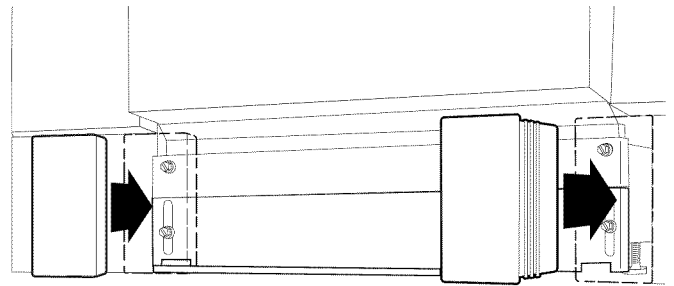
3. Reinstall the access panel.



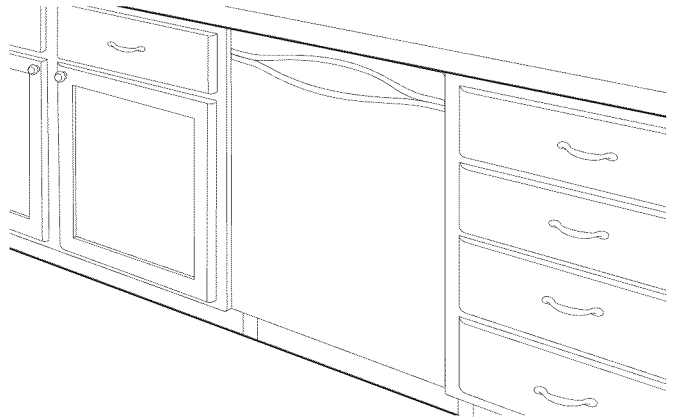
4. On some models with sound seals, measure the distance from the bottom of the dishwasher to the floor.
5. Trim the sound seals to the correct size.



6. Install the sound seals.




7. Installation is completed.



## Direct Wire Method

**⚠ WARNING**



**Electrical Shock Hazard**


**Electrically ground dishwasher.**  
**Connect ground wire to green ground connector in terminal box.**

**Do not use an extension cord.**

**Failure to follow these instructions can result in death, fire, or electrical shock.**

## Power Supply Cord Method

**⚠ WARNING**



**Electrical Shock Hazard**

**Plug into a grounded 3 prong outlet.**

**Do not remove ground prong.**

**Do not use an adapter.**

**Do not use an extension cord.**

**Failure to follow these instructions can result in death, fire, or electrical shock.**

8. Reconnect power and plug in dishwasher.

---

## Check Dishwasher Operation

---

1. Read the Dishwasher User Instructions that came with your dishwasher.
2. Check that all parts have been installed and no steps were skipped.
3. Check that you have all the tools you used.
4. Start the dishwasher and allow it to complete the shortest wash cycle.
5. After 2 minutes, unlatch the door. Wait 5 seconds, and then open the door.
6. Check that there is water in the bottom of the dishwasher tub.
7. Check that the dishwasher is working properly.

### If you need Assistance or Service

Please reference the "Assistance or Service" section of your User Instructions or contact the dealer from whom you purchased your dishwasher.

# SÉCURITÉ DU LAVE-VAISSELLE

## Votre sécurité et celle des autres est très importante.

Nous donnons de nombreux messages de sécurité importants dans ce manuel et sur votre appareil ménager. Assurez-vous de toujours lire tous les messages de sécurité et de vous y conformer.



Voici le symbole d'alerte de sécurité.

Ce symbole d'alerte de sécurité vous signale les dangers potentiels de décès et de blessures graves à vous et à d'autres.

Tous les messages de sécurité suivront le symbole d'alerte de sécurité et le mot "DANGER" ou "AVERTISSEMENT". Ces mots signifient :

**⚠ DANGER**

Risque possible de décès ou de blessure grave si vous ne suivez pas immédiatement les instructions.

**⚠ AVERTISSEMENT**

Risque possible de décès ou de blessure grave si vous ne suivez pas les instructions.

Tous les messages de sécurité vous diront quel est le danger potentiel et vous disent comment réduire le risque de blessure et ce qui peut se produire en cas de non-respect des instructions.



**⚠ AVERTISSEMENT**

Risque de basculement

**Ne pas utiliser le lave-vaisselle jusqu'à ce qu'il soit complètement installé.**

**Ne pas appuyer sur la porte ouverte.**

**Le non-respect de ces instructions peut causer des blessures graves ou des coupures.**

### Opérations à exécuter :

- Ouvrir lentement le tiroir du lave-vaisselle tandis qu'une autre personne saisit/retient l'arrière du lave-vaisselle. Retirer les matériaux d'emballage. Fermer le tiroir du lave-vaisselle. Verrouiller le tiroir du lave-vaisselle.
- Respecter les prescriptions de tous les codes et règlements en vigueur.
- Installer le lave-vaisselle conformément aux présentes instructions.
- Veiller à disposer de tout ce qui est nécessaire pour l'installation correcte du lave-vaisselle.
- Contacter un installateur qualifié pour garantir que l'installation du lave-vaisselle soit exécutée conformément aux prescriptions de tous les codes et règlements nationaux et locaux régissant les installations électriques et de plomberie en vigueur.

# EXIGENCES D'INSTALLATION

## Outillage et composants

Rassembler les outils et pièces nécessaires avant de commencer l'installation. Lire et suivre les instructions fournies avec les outils indiqués ici.

### Outillage nécessaire

- Pince
- Tournevis Philips
- Tournevis à lame plate
- Douilles hexagonales/ tourne-écrou— $\frac{3}{16}$ " et  $\frac{1}{4}$ "
- Mètre ruban ou règle
- Clé à molette—10" (s'ouvre à  $1\frac{1}{8}$ " [2,9 cm])
- Couteau utilitaire
- Lampe de poche
- Plat peu profond
- Serviette de bain
- Cale en bois
- Clé plate de  $\frac{5}{8}$ "
- Niveau
- Perceuse sans fil (nouvelle installation seulement)
- Scie à trou— $\frac{1}{2}$ ",  $\frac{3}{4}$ " et  $1\frac{1}{2}$ " (nouvelle installation seulement)
- Petit coupe-tube (nouvelle installation seulement)
- Pince à dénuder (nouvelle installation seulement)

### Composants nécessaires

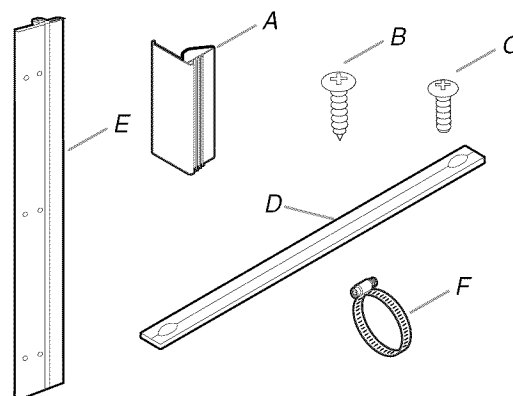
- Coude de 90° avec filetage externe de  $\frac{3}{8}$ " N.P.T. à une extrémité
  - Tube de cuivre ( $\frac{3}{8}$ " O.D. recommandé) ou canalisation d'alimentation en eau flexible à tresse d'acier
  - Méthode de raccordement direct : connecteur de conduit (pour convenir à un trou de diamètre de  $\frac{7}{8}$ " [2.2 cm]) (homologué UL/certifié SCA) (voir "Spécifications électriques")
  - Raccordement du cordon d'alimentation : ensemble de cordon d'alimentation électrique (pièce numéro 4317824) pour utilisation avec lave-vaisselle (voir "Spécifications électriques")
- REMARQUE :** La configuration de l'autre extrémité doit être adaptée à celle de la canalisation d'alimentation en eau.
- Connecteurs de fils (taille appropriée pour raccorder le câblage du domicile au câblage de diamètre 16 dans le lave-vaisselle) (homologué UL/CSA)
  - Ruban d'étanchéité pour plomberie ou un composé d'étanchéité des conduits

### REMARQUES :

- Pièces disponibles à l'achat dans les magasins de fournitures de plomberie.
- Consulter les codes locaux.
- Vérifier l'alimentation électrique existante. Voir "Spécifications électriques."

### Pièces fournies

Vérifier la présence de toutes les pièces.



A. Dispositifs d'insonorisation (sur certains modèles) (2)  
B. Vis de montage du plan de travail (2)  
C. Vis de montage (8)

D. Joint du panneau de support (sur certains modèles)  
E. Bandes de fixation (2)  
F. Grandes brides pour tuyau d'évacuation

## Exigences d'emplacement

**IMPORTANT :** Observer les dispositions de tous les codes et règlements en vigueur. Le non-respect de ces codes et règlements peut entraîner un incendie ou un choc électrique.

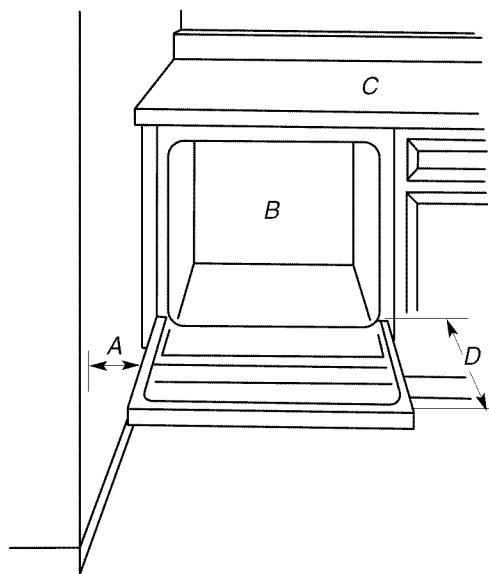
C'est à l'utilisateur qu'incombe la responsabilité de réaliser une installation correcte.

- Une source d'électricité avec liaison à la terre est nécessaire.
- Contacter un installateur qualifié pour veiller à ce que l'installation du lave-vaisselle soit conforme aux prescriptions de tous les codes d'électricité et de plomberie locaux et nationaux en vigueur.
- Réaliser l'installation du lave-vaisselle tel que spécifié dans ces instructions.
- Assurez-vous d'avoir à disposition tout ce dont vous avez besoin pour l'installation du lave-vaisselle.
- Abritez les lignes de lave-vaisselle et de flottaison menant au lave-vaisselle contre de congélation. Les dégâts occasionnés par la congélation ne sont pas couverts par la garantie.
- Ce lave-vaisselle est conçu pour un usage à l'intérieur uniquement.
- Ne pas placer de canalisations d'évacuation, canalisations d'eau ou câblage électrique à un endroit susceptible d'interférer ou d'entrer en contact avec les pieds ou le moteur du lave-vaisselle.
- À l'emplacement d'installation du lave-vaisselle, on doit pouvoir établir le dégagement approprié entre le moteur et le plancher. Le moteur ne doit pas toucher le plancher.
- Ne pas installer le lave-vaisselle sur un tapis.

## Dégagements minimums

Inspecter l'emplacement d'installation du lave-vaisselle. Il doit comporter les caractéristiques suivantes :

- Facilité d'accès aux canalisations d'eau et d'évacuation et à la source d'électricité.
- Accès facile pour chargement et déchargement de la vaisselle. Dans le cas de l'installation dans un angle, on doit pouvoir établir un dégagement minimal de 2" (5,1 cm) entre le côté de la porte du lave-vaisselle et le mur ou le placard.
- Un dégagement minimal de 25 5/8" (65,1 cm) est nécessaire à l'avant du lave-vaisselle afin de permettre l'ouverture complète de la porte.



A. Dégagement minimal de 2" (5,1 cm) pour l'ouverture de la porte  
B. Lave-vaisselle

C. Plan de travail minimum  
D. 25 5/8" (65,1 cm) minimum

- Veiller à ce que l'ouverture soit d'équerre pour que l'orientation soit correcte.
- Façade des placards perpendiculaire au plancher.
- Si le lave-vaisselle ne doit pas être utilisé pendant une période prolongée ou s'il est laissé à un endroit où il pourrait être exposé au gel, on doit le faire hiverner par un technicien compétent.

## Spécifications électriques

### ⚠ AVERTISSEMENT



#### Risque de choc électrique

**Brancher sur une prise à 3 alvéoles reliée à la terre.**

**Ne pas enlever la broche de liaison à la terre.**

**Ne pas utiliser un adaptateur.**

**Ne pas utiliser un câble de rallonge.**

**Le non-respect de ces instructions peut causer un décès, un incendie ou un choc électrique.**

### INSTRUCTIONS DE MISE À LA TERRE

#### ■ Pour un lave-vaisselle relié à la terre, branché avec un cordon :

Le lave-vaisselle doit être relié à la terre. En cas d'un mauvais fonctionnement ou d'une panne, la mise à terre réduira le risque d'un choc électrique en fournissant le moins de résistance pour le courant électrique. Le lave-vaisselle est équipé d'un cordon avec un conducteur pour relier les appareils à la terre. La fiche doit être branchée sur une prise appropriée, installée et reliée à la terre conformément aux codes et règlements locaux.

**AVERTISSEMENT :** La connexion incorrecte du conducteur pour relier les appareils à la terre peut causer le risque de choc électrique. Vérifier avec un électricien compétent ou un représentant de service si vous avez des doutes si le lave-vaisselle est correctement relié à la terre. Ne pas modifier la fiche fournie avec le lave-vaisselle; si elle n'entre pas dans la prise, faire installer une prise appropriée par un électricien compétent.

#### ■ Pour un lave-vaisselle branché en permanence :

Le lave-vaisselle doit être branché à un système d'installation électrique permanent en métal relié à la terre, ou un conducteur pour relier les appareils à la terre doit être relié avec les conducteurs du circuit et branché à une borne pour relier les appareils à la terre ou au cordon d'alimentation électrique avec le lave-vaisselle.

### CONSERVEZ CES INSTRUCTIONS

Il incombe au client la responsabilité de :

- Communiquer avec un électricien qualifié.
- Veiller à ce que l'installation électrique soit correctement effectuée et soit conforme aux prescriptions de tous les codes locaux et nationaux en vigueur.

## Spécifications :

- Source d'alimentation de 120 V, 60 Hz, CA uniquement, de type 15 ou 20 ampères, protégée par fusible et reliée à la terre
- Fil de cuivre uniquement, à 2 conducteurs et liaison à la terre

## Recommandé :

- Fusible ou disjoncteur temporisé
- Circuit distinct

## Méthode de raccordement direct

- Utiliser des conducteurs de cuivre gainés non métalliques ou blindés souples avec conducteur de liaison à la terre qui satisfassent aux exigences de l'installation électrique de votre domicile, et qui soient conformes aux prescriptions des codes et règlements locaux.
- Utiliser un connecteur de conduit (homologation UL ou CSA).

## Raccordement du cordon d'alimentation

Utiliser l'ensemble de cordon d'alimentation électrique (pièce numéro 4317824) pour utilisation avec lave-vaisselle. L'ensemble contient :

- Cordon d'alimentation électrique Voltex, Inc., de calibre 16 à 3 fils, homologué UL, avec prise à 3 alvéoles reliée à la terre
- Serre-câble Neer C-500 de 7/8"
- Connecteurs à 3 conducteurs
- Œillet (pièce numéro 302797)

Suivre les instructions de l'ensemble pour l'installation du cordon d'alimentation électrique.

**REMARQUE :** Le cordon d'alimentation électrique doit être branché dans une prise de configuration correspondante à trois alvéoles reliée à la terre dans le placard, près de l'ouverture du lave-vaisselle. La prise doit être conforme à tous les codes et règlements locaux.

**IMPORTANT :** Si l'on prévoit d'installer un broyeur de déchets, une source d'alimentation électrique distincte de 120 V, 60 Hz, CA uniquement, protégée par fusible de 15 ou 20 ampères est nécessaire.

## Spécifications de l'alimentation en eau

- Canalisation d'eau chaude, sous pression de 20 à 120 lb/po<sup>2</sup> (138–862 kPa).
- Température de l'eau du lave-vaisselle à 120°F (49°C).
- Tube de cuivre de 3/8" de diamètre externe avec raccord de compression ou canalisation d'alimentation en eau flexible à tresse d'acier.

**REMARQUE :** L'emploi d'un tuyau de plastique d'un minimum de 1/2" n'est pas recommandé.

- Coude de 90° avec filetage externe de 3/8" NPT à une extrémité.

**IMPORTANT :** Ne pas souder à moins de 6" (15,2 cm) de l'électrovanne d'admission d'eau.

## Exigences d'évacuation

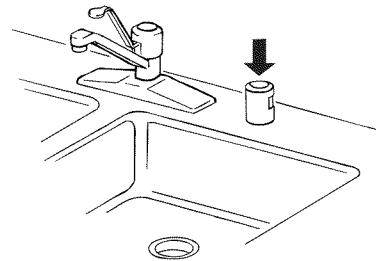
- Utiliser le tuyau d'évacuation neuf fourni avec le lave-vaisselle.  
**REMARQUE :** Si un tuyau d'évacuation plus long est nécessaire :

- Utiliser un nouveau tuyau d'évacuation d'une longueur maximale de 12 pi (3,7 m) qui soit conforme à toutes les normes de test AHAM/IAPMO en vigueur.
- Utiliser un nouveau tuyau d'évacuation qui soit résistant à la chaleur et aux détergents.
- Utiliser un nouveau tuyau d'évacuation qui convienne au raccord d'évacuation de 1" (2,5 cm) sur le lave-vaisselle.
- Raccorder le tuyau d'évacuation au raccord en T ou à l'entrée du broyeur de déchets située au-dessus du siphon, dans la canalisation d'égoût du domicile.
- Raccorder le tuyau d'évacuation à la canalisation d'égoût du domicile à au moins 20" (50,8 cm) du plancher.

**REMARQUE :** On recommande de lover le tuyau d'évacuation et de le fixer solidement sur la face inférieure du plan de travail, ou de le raccorder à un dispositif de brise-siphon.

- Utiliser un dispositif de brise-siphon si le tuyau d'évacuation est connecté à la canalisation d'égout de la maison à moins de 20" (50,8 cm) au-dessus du sous-plancher ou du plancher.

## Dispositif de brise-siphon



- Utiliser des raccords de diamètre intérieur de 1/2" (1,3 cm) minimum.
- Si nécessaire, le dispositif de brise-siphon doit être installé conformément aux instructions d'installation de ce dernier. Lors du raccordement du dispositif de brise-siphon à la canalisation d'égout en T ou au raccord de broyeur à déchets, un tuyau en caoutchouc (non fourni) sera nécessaire.

**REMARQUE :** Ne pas raccorder de canalisation d'évacuation au tuyau d'évacuation du lave-vaisselle à partir d'autres dispositifs.

# INSTRUCTIONS D'INSTALLATION

## ⚠ AVERTISSEMENT



### Risque de choc électrique

Interrompre l'alimentation électrique avant d'installer le lave-vaisselle (au niveau du tableau de distribution - fusible ou disjoncteur)

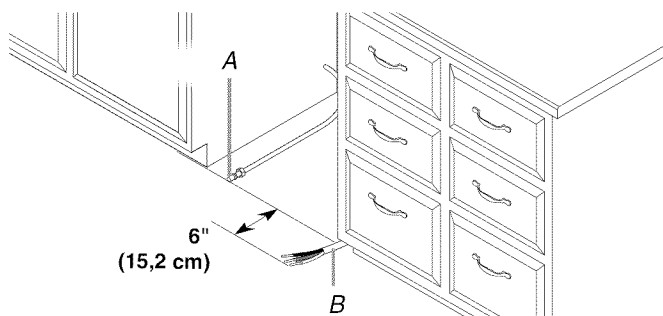
Le non-respect de cette instruction peut causer un décès ou un choc électrique.

1. Déconnecter la source de courant électrique.
2. Fermer l'alimentation en eau.

## Préparation de l'ouverture d'encastrement du placard—Moyens de raccordement préexistants

Procéder conformément aux instructions de cette section pour l'installation de l'appareil à un emplacement déjà doté de moyens de raccordement.

1. Vérifier que la canalisation d'eau atteint le côté avant gauche de l'espace d'installation, là où le raccordement en eau sera effectué.
2. Vérifier que le câble d'alimentation direct atteint le côté avant droit de l'ouverture d'encastrement, là où le raccordement électrique sera effectué.



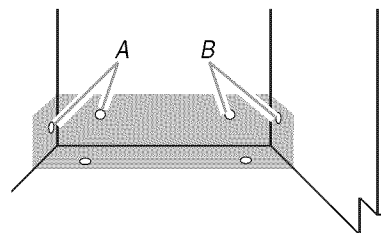
A. Canalisation d'alimentation en eau  
B. Câblage direct

3. Si les dispositifs de raccordement existants parviennent jusqu'aux emplacements indiqués, voir "Installation du tuyau de vidange."
4. Si les dispositifs de raccordement ne parviennent pas jusqu'aux emplacements indiqués, voir "Préparation de l'ouverture d'encastrement du placard—Pas de dispositifs de raccordement préexistants."

## Préparation de l'ouverture d'encastrement du placard—Sans moyens de raccordement préexistants

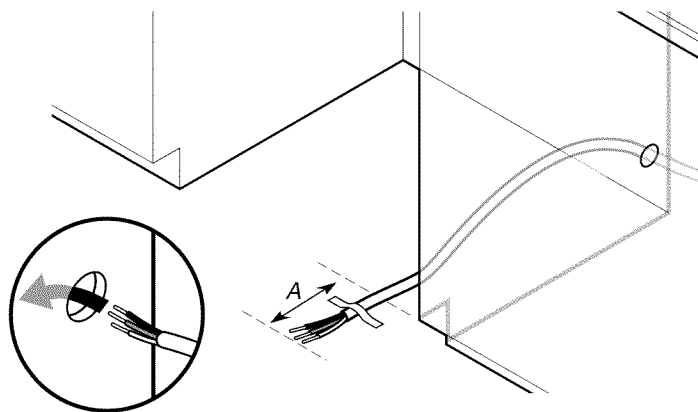
### Raccordement électrique—Méthode de raccordement direct

1. Percer un trou de 3/4" (1,9 cm) dans la paroi de droite du placard, la paroi arrière ou le plancher de l'ouverture d'encastrement.



A. Emplacements facultatifs  
B. Emplacements de préférés

2. Si le placard est en bois, poncer le trou jusqu'à ce qu'il soit lisse. Si le placard est en métal, recouvrir le trou avec un œillet (non fourni).
3. Acheminer le câble de la source d'alimentation électrique à travers le trou dans le placard. Le câble doit dépasser par le côté avant droit de l'ouverture d'encastrement du placard.
4. Fixer le câble au plancher avec du ruban adhésif dans la zone indiquée. Cela empêchera le câble de bouger lors de l'insertion du lave-vaisselle dans l'ouverture du placard.

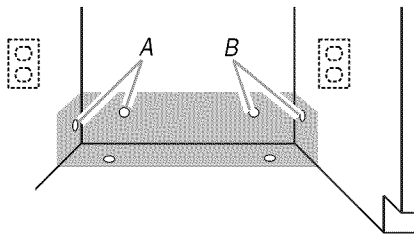


A. 6" (15,2 cm)

## Raccordement électrique—Méthode avec cordon d'alimentation électrique

**REMARQUE :** On doit disposer d'une prise de configuration correspondante à trois alvéoles et reliée à la terre dans un placard qui se trouve près de l'ouverture du lave-vaisselle.

1. Percer un trou de 1½" (3,8 cm) dans la paroi de droite du placard, la paroi arrière de l'ouverture d'encastrement.

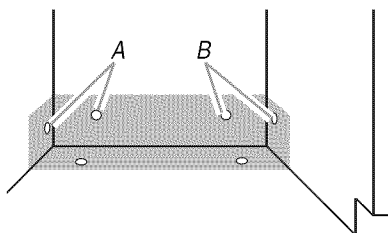


A. Emplacements facultatifs  
B. Emplacements de préférés

2. Si le placard est en bois, poncer le trou jusqu'à ce qu'il soit lisse. Si le placard est en métal, recouvrir le trou avec un oeillet (pièce numéro 302797) compris avec le cordon d'alimentation électrique.

## Installation de la canalisation d'eau

1. Percer un trou de ½" (1,3 cm) dans la paroi de gauche du placard, la paroi arrière ou le plancher de l'ouverture d'encastrement.



A. Emplacements préférés  
B. Emplacements de facultatifs

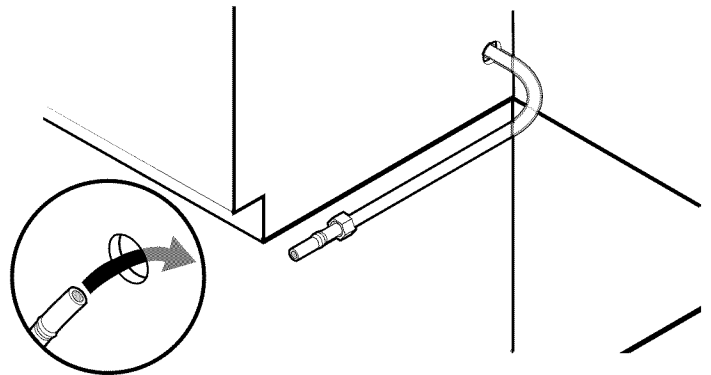
2. Mesurer la longueur totale nécessaire du tube de cuivre (canalisation de cuivre ou canalisation d'arrivée d'eau flexible à tresse d'acier).
3. Fixer la canalisation d'eau chaude à l'aide d'une configuration de raccordement qui soit conforme à tous les codes et règlements locaux.

**REMARQUE :** La canalisation d'eau raccordée au lave-vaisselle doit comporter un robinet d'arrêt manuel.

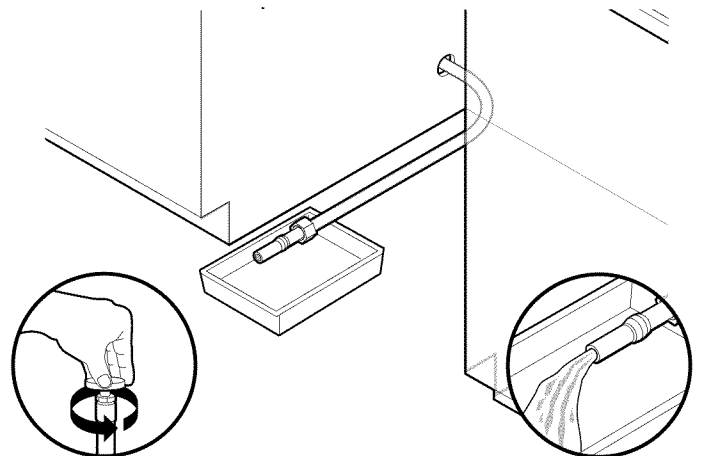
4. Enfiler doucement le tube de cuivre à travers le trou percé dans le placard.

**REMARQUE :** Le tube de cuivre se plie et se déforme facilement.

Le tube de cuivre (canalisation de cuivre ou canalisation d'arrivée d'eau flexible à tresse d'acier) doit s'avancer suffisamment loin dans l'ouverture d'encastrement du placard pour que l'on puisse le raccorder au point d'entrée du lave-vaisselle se trouvant sur le côté avant gauche de celui-ci.



5. Ouvrir le robinet d'arrêt. Faire couler l'eau dans un récipient peu profond pour éliminer du tube de cuivre les particules qui pourraient obstruer l'électrovanne.

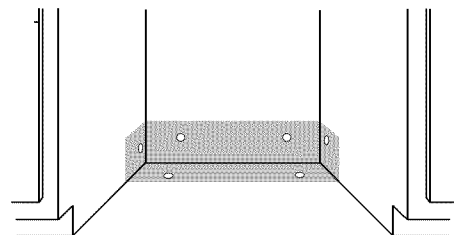


6. Fermer le robinet d'arrêt.

## Installation du tuyau d'évacuation

**IMPORTANT :** On doit toujours utiliser un tuyau d'évacuation neuf, même pour l'installation d'un lave-vaisselle de remplacement.

- Percer un trou de diamètre 1½" (3,8 cm) dans la paroi ou dans le plancher du placard sur le côté de l'ouverture d'encastrement la plus proche de l'évier.



## Raccordement du tuyau d'évacuation au dispositif de brise-siphon — Broyeur de déchets

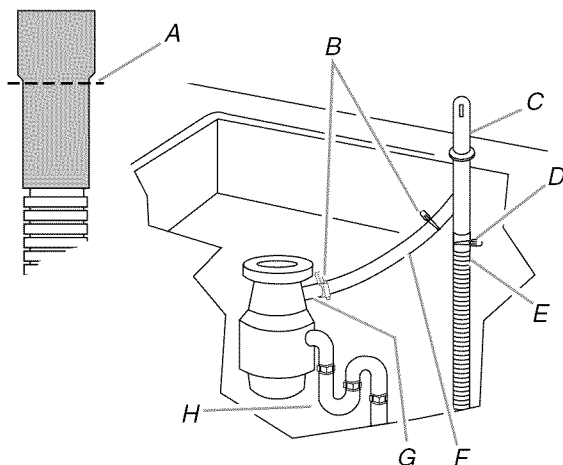
1. Ôter l'opercule arrachable du broyeur à déchets. Couper l'extrémité du tuyau d'évacuation si nécessaire.

**REMARQUE :** Ne pas couper la section ondulée.

2. Connecter le tuyau d'évacuation au dispositif de brise-siphon avec la grosse bride à ressort.

**REMARQUE :** Si le tuyau d'évacuation a été coupé, utiliser une bride de tuyau à vis de 1 1/2" à 2" (3,8 à 5 cm) (non fourni).

3. Utiliser un connecteur de tuyau de caoutchouc (non fourni) avec une bride à vis ou à ressort (non fourni) pour raccorder le dispositif de brise-siphon à l'entrée du tuyau d'évacuation situé au-dessus du siphon et à au moins 20" (50,8 cm) au-dessus du plancher.



A. Tuyau d'évacuation—découper ici si nécessaire

B. Brides de serrage à ressort ou à vis

C. Dispositif de brise-siphon

D. Grosse bride à ressort (fourni)

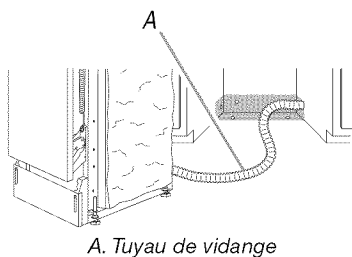
E. Tuyau de vidange

F. Raccord du tuyau de caoutchouc (non fourni)

G. Entrée du broyeur à déchets

H. Siphon

4. Insérer le tuyau d'évacuation dans le trou découpé dans le placard et acheminer le tuyau jusqu'à l'avant-centre de l'ouverture, là où le raccordement d'évacuation doit être réalisé.



A. Tuyau de vidange

## Raccordement du tuyau d'évacuation au dispositif de brise-siphon — Pas de broyeur de déchets

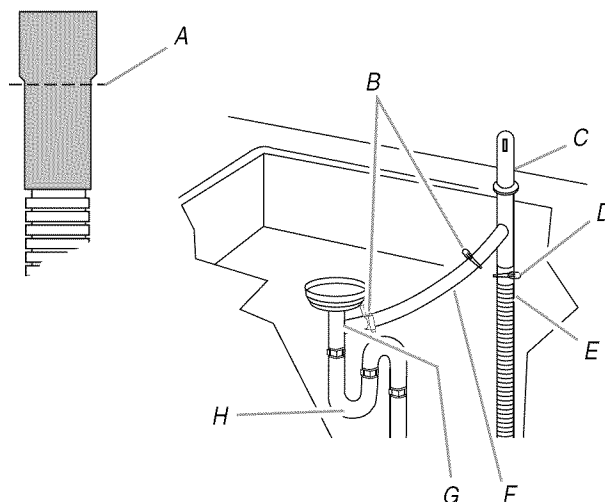
1. Couper l'extrémité du tuyau d'évacuation si nécessaire.

**REMARQUE :** Ne pas couper la section ondulée.

2. Connecter le tuyau d'évacuation au dispositif de brise-siphon avec la grosse bride à ressort (fourni).

**REMARQUE :** Si le tuyau d'évacuation a été coupé, utiliser une bride de tuyau à vis de 1 1/2" à 2" (3,8 à 5 cm) (non fourni).

3. Utiliser un connecteur de tuyau de caoutchouc (non fourni) avec une bride à vis ou à ressort (non fourni) pour raccorder le dispositif de brise-siphon au tuyau d'évacuation en T situé au-dessus du siphon et à au moins 20" (50,8 cm) au-dessus du plancher.



A. Tuyau d'évacuation—découper ici si nécessaire

B. Brides de serrage à ressort ou à vis (non fourni)

C. Dispositif de brise-siphon

D. Grosse bride à ressort (fourni)

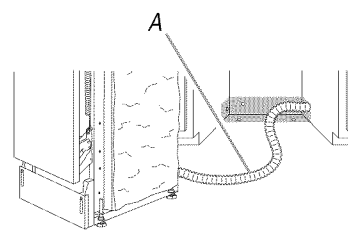
E. Tuyau de vidange

F. Raccord du tuyau de caoutchouc (non fourni)

G. Tuyau d'évacuation en T

H. Siphon

4. Insérer le tuyau d'évacuation dans le trou découpé dans le placard et acheminer le tuyau jusqu'à l'avant-centre de l'ouverture, là où le raccordement d'évacuation doit être réalisé.



A. Tuyau de vidange

## Raccordement du tuyau d'évacuation au broyeur de déchets — Sans dispositif de brise-siphon

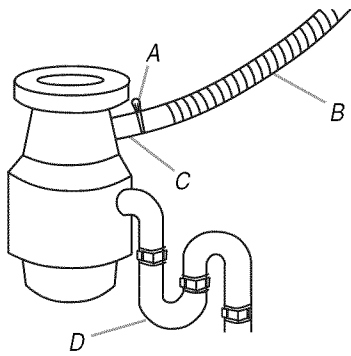
1. Ôter l'opercule arrachable du broyeur à déchets.

**REMARQUE :** Ne pas couper l'extrémité du tuyau d'évacuation.

2. Connecter le tuyau d'évacuation à l'entrée du tuyau d'évacuation avec la grosse bride à ressort (fourni).

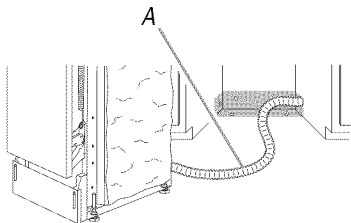
Ce raccordement doit être réalisé en amont du siphon et à au moins 20" (50,8 cm) au-dessus du plancher.

**REMARQUE :** On recommande de louer le tuyau d'évacuation et de le fixer solidement sur la face inférieure du plan de travail.



A. Grosse bride à ressort (fourni)      C. Entrée du broyeur à déchets  
B. Tuyau d'évacuation      D. Siphon

- Insérer le tuyau d'évacuation dans le trou découpé dans le placard et acheminer le tuyau jusqu'à l'avant-centre de l'ouverture, là où le raccordement d'évacuation doit être réalisé.



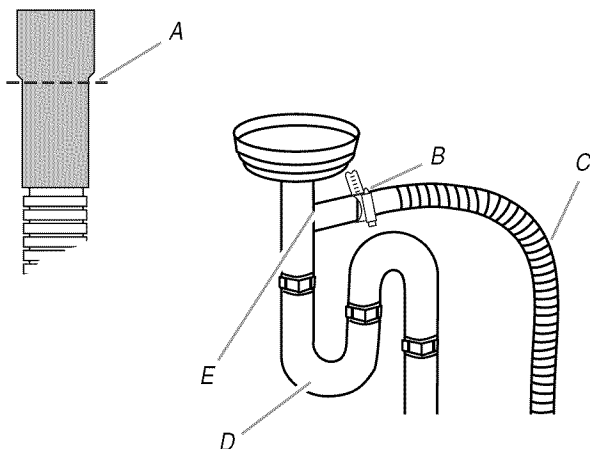
A. Tuyau de vidange

### Raccordement du tuyau d'évacuation— Sans broyeur à déchets ni dispositif de brise-siphon

- Couper l'extrémité du tuyau d'évacuation si nécessaire.  
**REMARQUE :** Ne pas couper la section ondulée.
- Fixer le tuyau d'évacuation au tuyau d'évacuation en T avec la grosse bride à ressort (fourni).

#### REMARQUES :

- Si le tuyau d'évacuation a été coupé, utiliser une bride de tuyau à vis de 1 1/2" à 2" (3,8 cm à 5 cm) (non fourni)
- Ce raccordement doit être réalisé en amont du siphon et à au moins 20" (50,8 cm) au-dessus du plancher.
- On recommande de lover le tuyau d'évacuation et de le fixer solidement sur la face inférieure du plan de travail.



A. Tuyau d'évacuation—découper ici si nécessaire      C. Tuyau d'évacuation  
B. Grosse bride à ressort (fourni)      D. Siphon  
E. Tuyau d'évacuation en T

## Préparation du lave-vaisselle

### ⚠ AVERTISSEMENT



#### Risque de basculement

Ne pas utiliser le lave-vaisselle jusqu'à ce qu'il soit complètement installé.

Ne pas appuyer sur la porte ouverte.

Le non-respect de ces instructions peut causer des blessures graves ou des coupures.

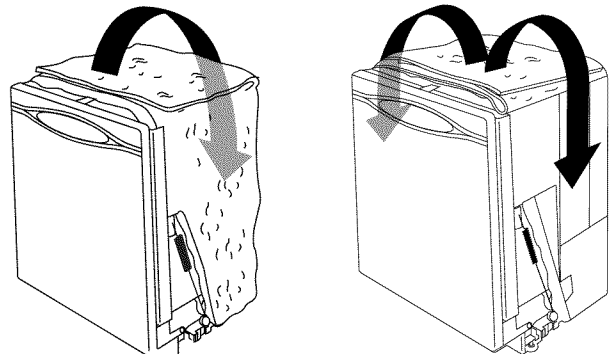
### ⚠ AVERTISSEMENT

#### Risque du poids excessif

Utiliser deux personnes ou plus pour déplacer et installer le lave-vaisselle.

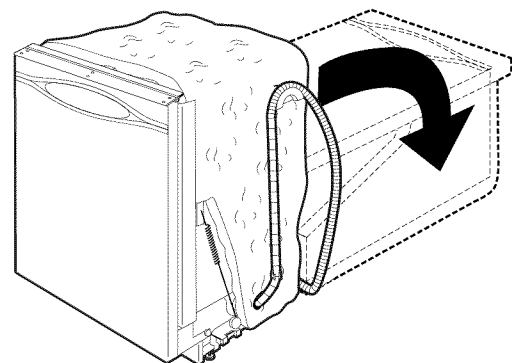
Le non-respect de cette instruction peut causer une blessure au dos ou d'autre blessure.

- Replier l'isolation vers le bas, par-dessus l'arrière et les côtés du lave-vaisselle (sur certains modèles).



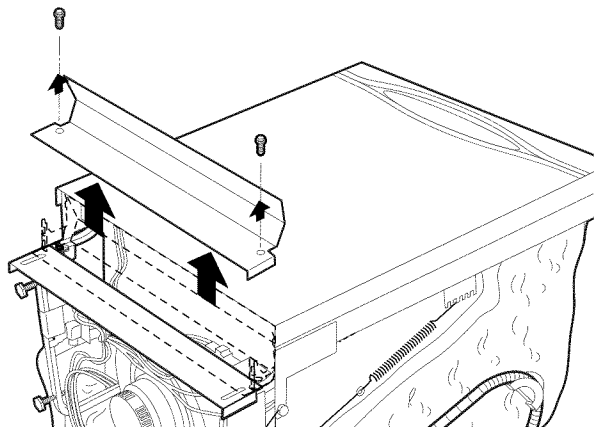
- À l'aide d'au moins 2 personnes, placer le lave-vaisselle sur sa partie arrière et sur un morceau de carton.

**REMARQUE :** Ne pas utiliser le panneau de porte comme surface de travail sans d'abord l'avoir recouvert d'une serviette pour éviter de l'endommager.

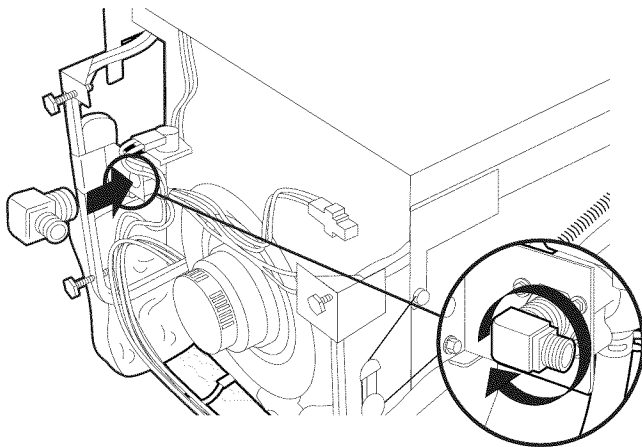


3. À l'aide d'une clé à douille, d'un tourne-écrou ou d'un tournevis Phillips de ¼", ôter les 4 vis fixant le panneau avec bride de calage et le panneau inférieur au lave-vaisselle.

**REMARQUE :** Ne pas enlever la fiche technique collée sur le panneau de l'ouverture d'accès.

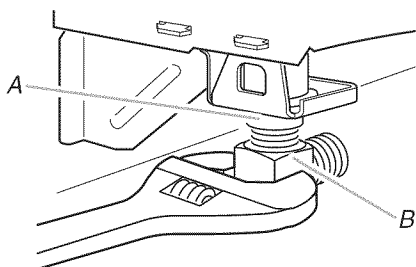


4. Retirer les deux panneaux et les mettre de côté sur une surface couverte.  
5. Appliquer du ruban pour joints filetés au raccord coudé à 90° et connecter le raccord au robinet d'arrivée d'eau.



6. Serrer le coude à 90° pour bien l'ajuster.

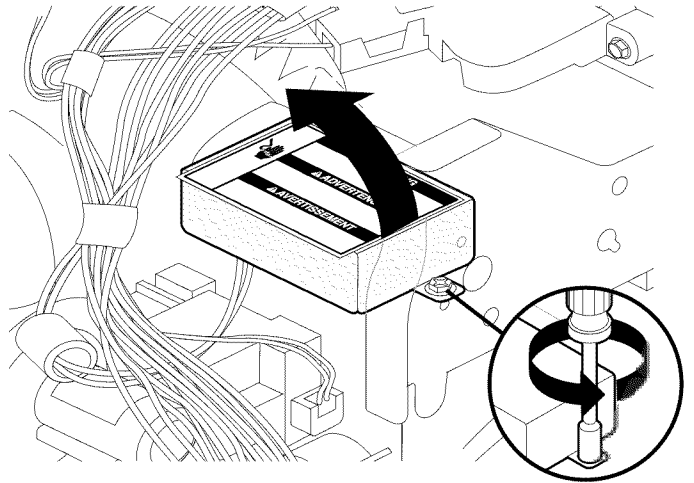
**REMARQUE :** Le raccord coudé doit être orienté vers l'arrière du lave-vaisselle.



A. Électrovanne d'admission d'eau  
B. Coude

## Préparation du couvercle du boîtier

1. Utiliser un tourne-écrou de ¼" ou un tournevis Phillips; démonter le couvercle du boîtier de connexion. Mettre le couvercle de côté.



2. Installer un connecteur de conduit (homologation UL ou CSA) (le connecteur de conduit peut être fourni avec le cordon d'alimentation [pièce numéro 4317824]). Veiller à ce que les têtes de vis soient orientées vers la gauche après le serrage de l'écrou du connecteur de conduit.

**REMARQUE :** Si le lave-vaisselle doit être raccordé par raccordement direct, voir "Réglage des pieds de nivellement".

## Raccordement électrique—Méthode avec cordon d'alimentation électrique

### ⚠ AVERTISSEMENT



#### Risque de choc électrique

Relier le lave-vaisselle à la terre d'une méthode électrique.

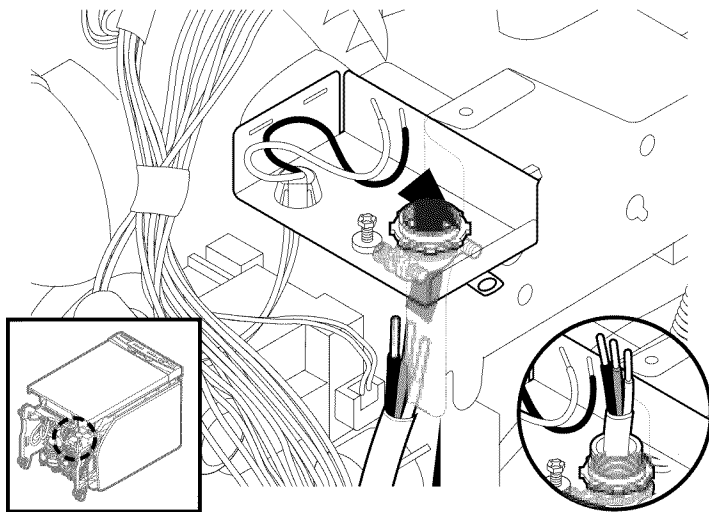
Brancher le fil relié à la terre au connecteur vert relié à la terre dans la boîte de la borne.

Ne pas utiliser un câble de rallonge.

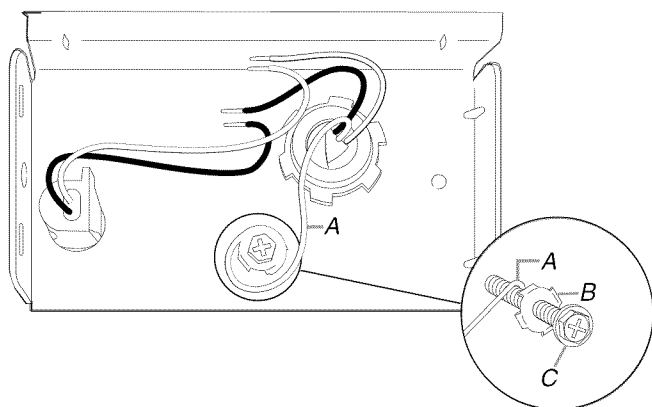
Le non-respect de ces instructions peut causer un décès, un incendie ou un choc électrique.

Le cordon et les raccordements de l'alimentation électrique doivent être conformes au National Electrical Code (code national de l'électricité), à la section 422 et/ou à tous les codes et règlements locaux. Installer le cordon d'alimentation électrique conformément aux instructions d'installation fournis avec l'ensemble du cordon d'alimentation électrique.

1. Installer le cordon d'alimentation de telle manière qu'il ne soit pas en contact avec le moteur du lave-vaisselle ou la partie inférieure de la cuve du lave-vaisselle.
2. Tirer le cordon d'alimentation électrique en le faisant passer par le connecteur de conduit jusqu'au boîtier de connexion.

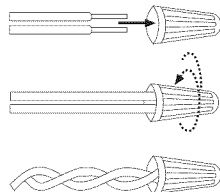


3. Ôter la vis verte de liaison à la terre et la placer à travers la borne en anneau de la vis verte de liaison à la terre. Fixer à nouveau la vis verte et la serrer.

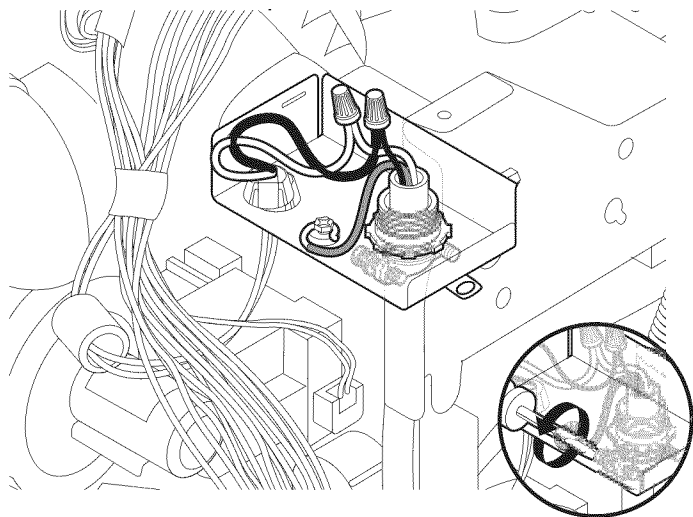


A. Conducteur de liaison à la terre vert  
 B. Rondelle  
 C. Vis verte de liaison à la terre

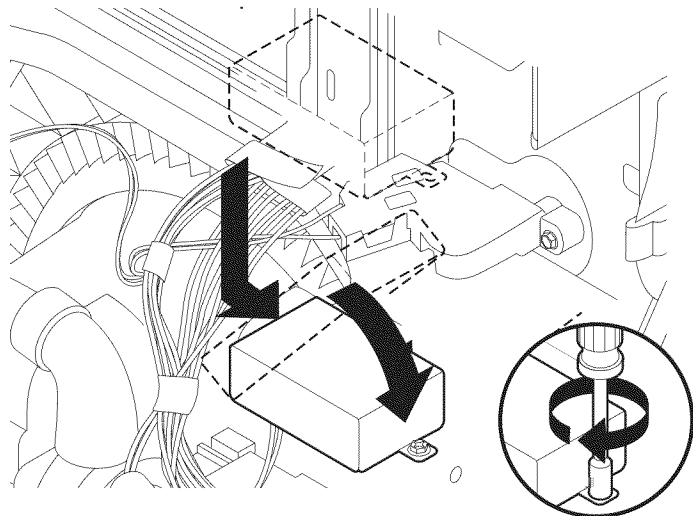
4. À l'aide d'un connecteur de fils homologué UL/CSA d'une taille suffisante pour raccorder le cordon d'alimentation électrique au câblage de diamètre 16 du lave-vaisselle, connecter le conducteur blanc du cordon de l'alimentation électrique au conducteur blanc du boîtier de connexion.



5. À l'aide d'un connecteur de fils homologué UL/CSA d'une taille suffisante pour raccorder le cordon d'alimentation électrique au câblage de diamètre 16 du lave-vaisselle, connecter le conducteur noir du cordon de l'alimentation électrique au conducteur noir du boîtier de connexion.
6. Serrer les vis du connecteur de conduit pour immobiliser le cordon d'alimentation électrique.



7. Insérer les languettes sur le côté gauche du couvercle du boîtier de connexion.
8. À l'aide d'un tourne-écrou de 1/4" et de la vis précédemment ôtée, réinstaller le couvercle du boîtier de connexion en plaçant les conducteurs à l'intérieur du boîtier de connexion.

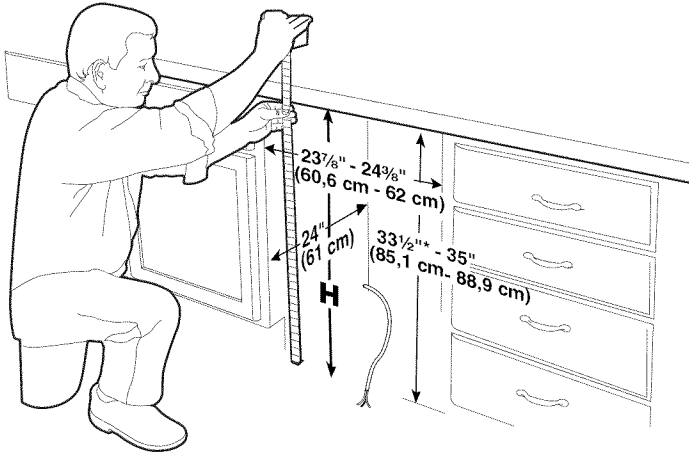


9. Veiller à ne coincer aucun conducteur avec le couvercle.

**REMARQUE :** Ne pas brancher le cordon d'alimentation sur une prise de courant avant d'en avoir reçu l'instruction.

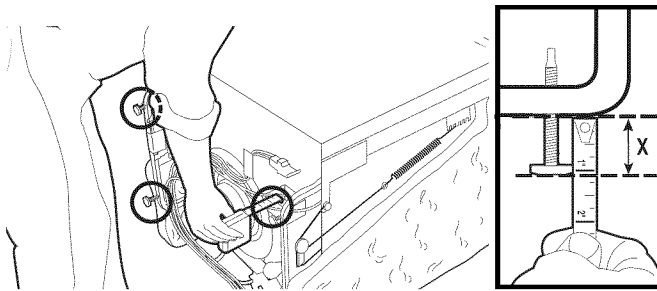
## Ajuster la hauteur des pieds

1. Mesurer la cavité d'encastement.



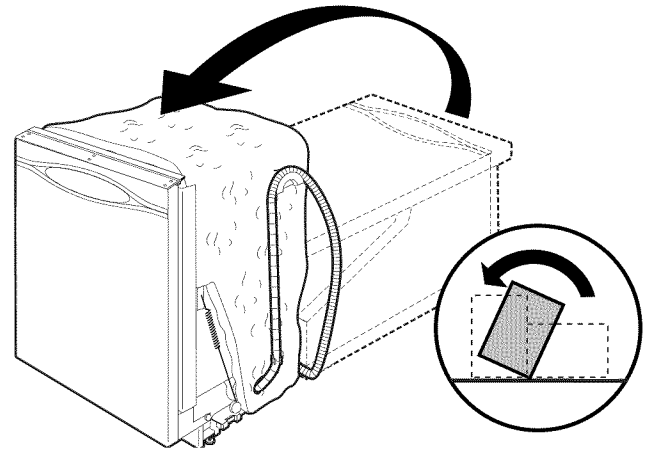
2. Régler la hauteur des pieds d'après le tableau ci-dessous. Ajuster (vissage) les deux pieds de réglage de l'aplomb à la même hauteur.

Hauteur de la cavité (H)	Hauteur des pieds ajustée (X)	Hauteur de la cavité (H)	Hauteur des pieds ajustée (X)
33 1/2" (85,1 cm)	0"	34 3/8" (87,4 cm)	7/8" (2,2 cm)
33 5/8" (85,4 cm)	1/8" (0,3 cm)	34 1/2" (87,7 cm)	1" (2,5 cm)
33 3/4" (85,7 cm)	1/4" (0,6 cm)	34 5/8" (88 cm)	1 1/8" (2,8 cm)
33 7/8" (86 cm)	3/8" (1 cm)	34 3/4" (88,3 cm)	1 1/4" (3,1 cm)
34" (86,4 cm)	1/2" (1,3 cm)	34 7/8" (88,6 cm)	1 3/8" (3,5 cm)
34 1/8" (86,7 cm)	5/8" (1,6 cm)	35" (88,9 cm)	1 1/2" (3,8 cm)
34 1/4" (87 cm)	3/4" (1,9 cm)		



## Choix des options de montage

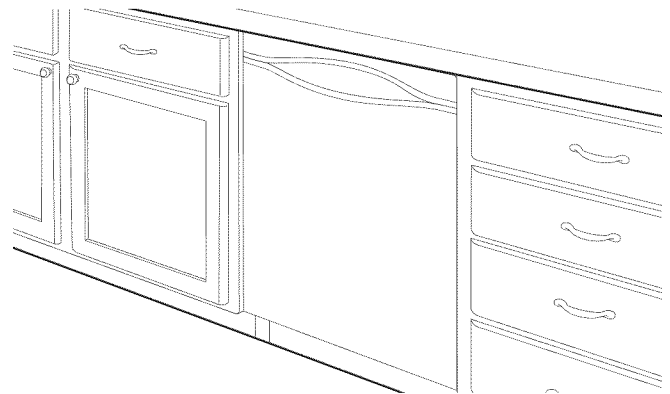
1. À l'aide d'au moins 2 personnes, mettre le réfrigérateur en position verticale.



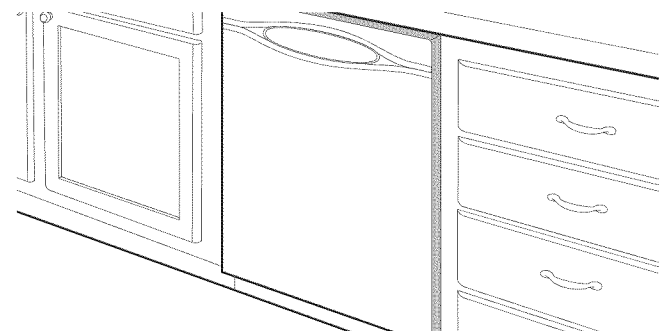
### REMARQUES :

- Les bandes d'insonorisation sont indispensables pour une insonorisation optimale.
- Les lave-vaisselle avec cuve en plastique possèdent une option de montage en affleurement uniquement.
- Pour l'option d'extension avec porte, commander l'ensemble de bande de garniture numéro :  
W10189262 (blanc)  
W10189264 (bisque)  
W10189265 (noir)

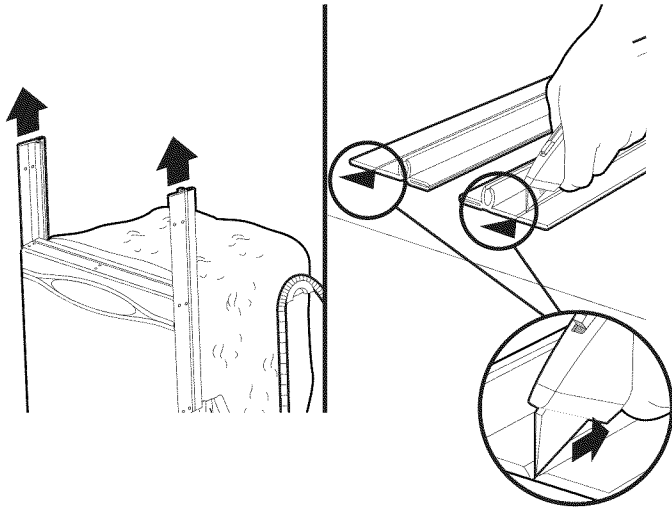
### Porte en affleurement avec avant du placard – Voir "Installation du lave-vaisselle"



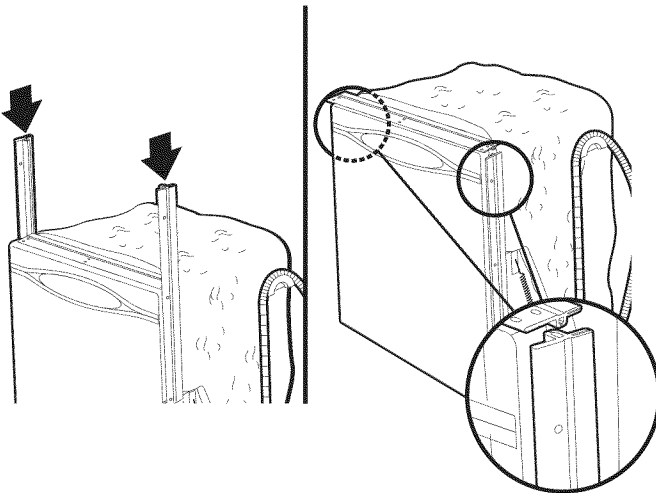
### Extension de porte pour une harmonisation avec l'avant des tiroirs et de la porte – Cuve en acier inoxydable uniquement



1. Faire glisser les bandes d'insonorisation vers le haut pour les retirer.
2. Découper les bandes d'insonorisation de façon à ce qu'elles soient alignées avec les tiroirs et les portes de placard.

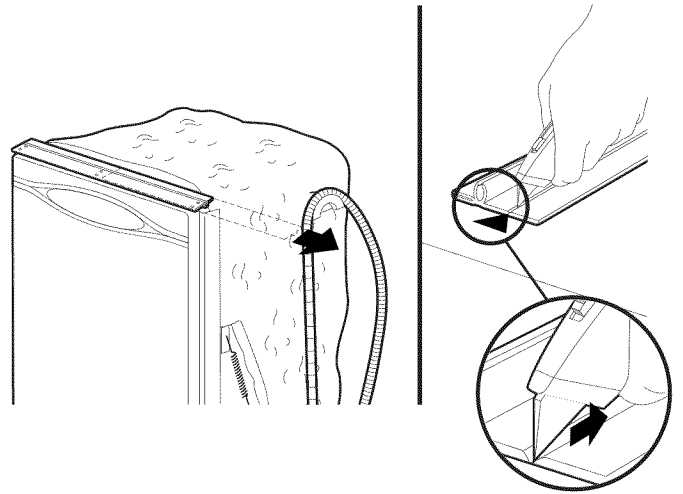


3. Réinstaller les bandes d'insonorisation en les faisant glisser vers le bas, sur les côtés de la porte.
4. Vérifier que les bandes d'insonorisation sont bien alignées avec la bande supérieure tel qu'illustré.

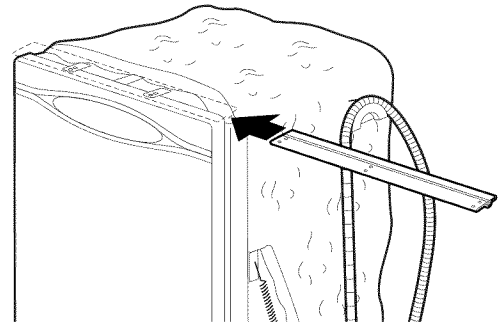


5. Ôter la bande d'insonorisation supérieure en faisant glisser la bande vers la droite.

6. Découper la bande d'insonorisation de façon à ce qu'elle soit alignée avec les tiroirs et les portes de placard.

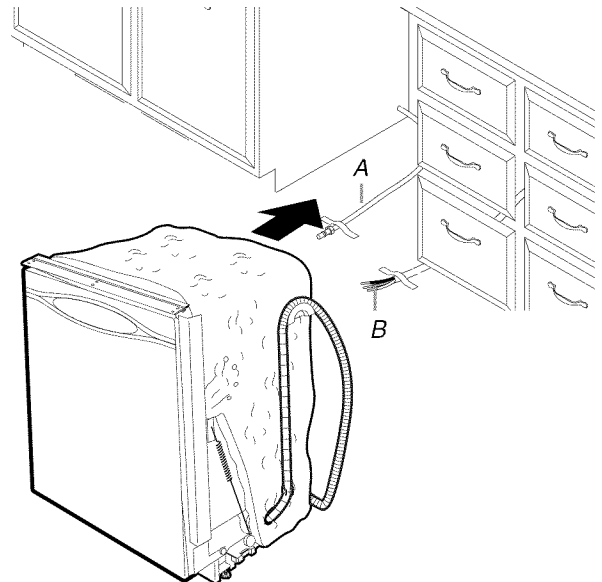


7. Réinstaller la bande d'insonorisation en la faisant glisser par-dessus la partie supérieure de la porte du lave-vaisselle.



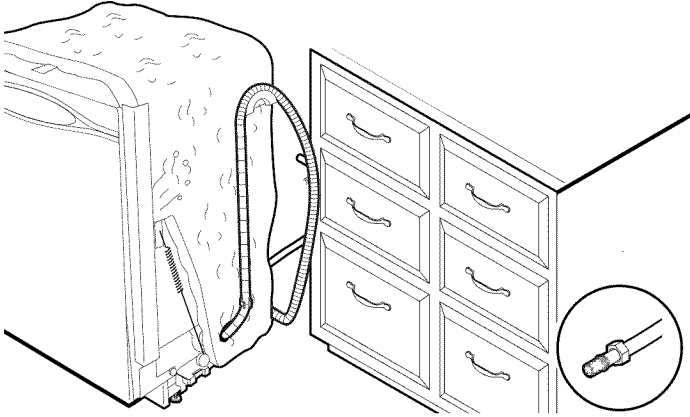
## Installation du lave-vaisselle

1. Vérifier que les dispositifs de raccordement sont correctement installés aux endroits prévus à cet effet.



A. Canalisation d'eau  
B. Raccordement direct

- Saisir les côtés du lave-vaisselle au niveau des rives du panneau de porte et placer le lave-vaisselle près de l'ouverture d'encastrement dans le placard.
- REMARQUE :** Ne pas pousser sur l'avant du panneau ou sur la console pour éviter d'endommager le lave-vaisselle.
- Vérifier que les dispositifs de raccordement sont fixés au plancher à l'aide de ruban adhésif au bon endroit.
  - Vérifier que la canalisation d'alimentation en eau se trouve sur le côté gauche de l'ouverture d'encastrement du placard.



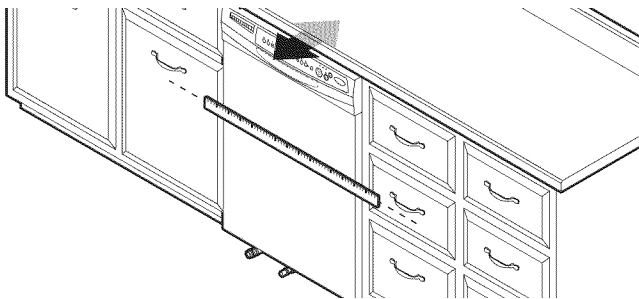
- Pour les installations avec cordon d'alimentation électrique—faire passer le cordon d'alimentation par l'ouverture découpée dans le placard.
- Mettre le lave-vaisselle en place dans l'ouverture d'encastrement du placard.

**REMARQUE :** Ne pas coincer ni déformer la canalisation, le tuyau d'évacuation, le cordon d'alimentation ou le câble de raccordement direct entre le lave-vaisselle et le placard.

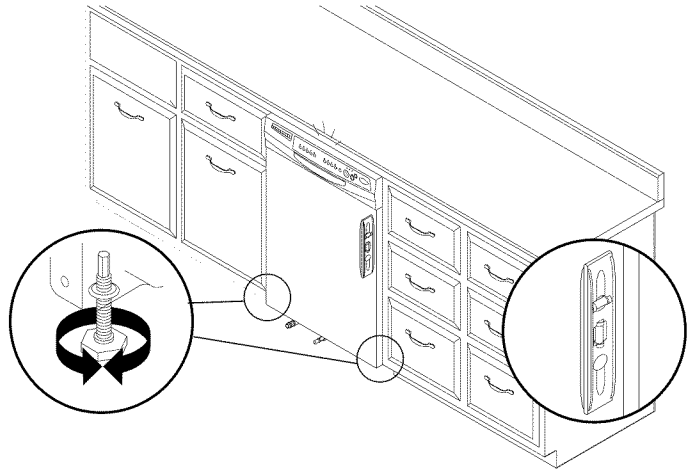
- Enlever la feuille de carton placée sous le lave-vaisselle.

**REMARQUES :**

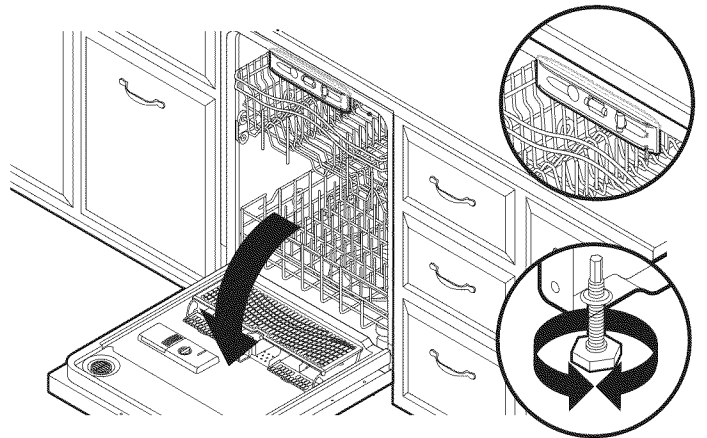
- Il n'est pas nécessaire qu'il y ait un espace libre autour du lave-vaisselle entre l'appareil et les surfaces de la cavité d'encastrement. Ne pas enlever l'enveloppe d'isolation/insonorisation.
  - Si l'appareil est alimenté par un cordon d'alimentation, ne pas oublier d'enfiler le cordon dans le trou de passage dans le panneau du placard avant d'insérer l'appareil dans la cavité.
- Soutenir l'avant du lave-vaisselle en relevant, abaissant les pieds avant ou en plaçant des cales en dessous si nécessaire.



- Vérifier que chaque pied de nivellement est fermement en appui sur le sol.
- Fermer la porte du lave-vaisselle et la verrouiller et placer un niveau contre le panneau avant, au-dessus du pied.
- Vérifier que le lave-vaisselle est d'aplomb. Si nécessaire, régler la hauteur des pieds de nivellement ou ajouter des cales jusqu'à ce que le lave-vaisselle soit d'aplomb.



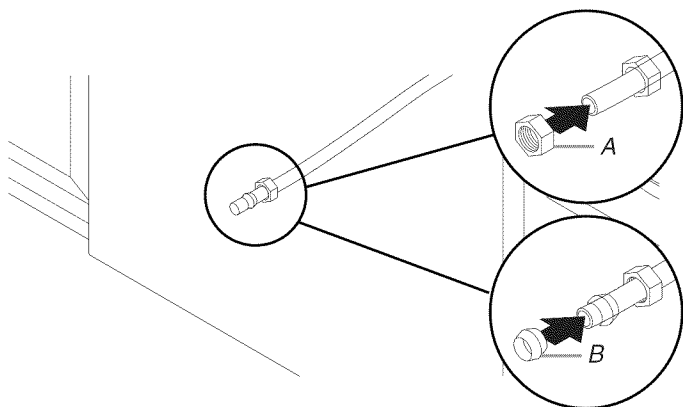
- Répéter cette étape pour l'autre côté du lave-vaisselle.
- Placer le niveau contre la partie supérieure de la cuve, à l'avant.
- Vérifier l'aplomb transversal du lave-vaisselle. Si le lave-vaisselle n'est pas d'aplomb, régler les pieds plus haut ou plus bas jusqu'à ce que le lave-vaisselle soit d'aplomb.



### Raccordement du lave-vaisselle à l'alimentation en eau

- Acheminer la canalisation d'alimentation en eau de manière à ce qu'elle ne soit pas en contact avec la base, le châssis ou le moteur du lave-vaisselle.
- Enfiler l'écrou sur le tube de cuivre, sur environ 1" (2,5 cm).
- Enfiler la virole sur le tube de cuivre.

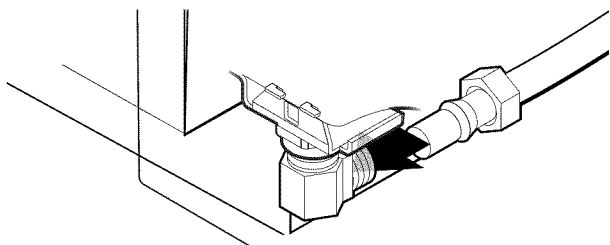
**REMARQUE :** Ne pas positionner la virole sur l'extrémité du tube.



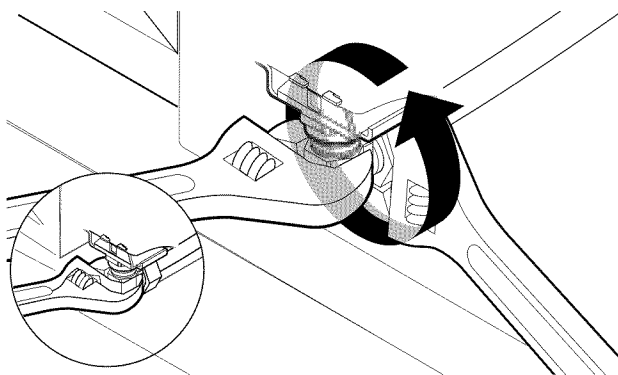
A. Virole  
B. Écrou

4. Enfoncer le tube dans le raccord coudé aussi loin que possible. Éviter de plier ou de déformer le tube de cuivre.
5. Faire glisser l'écrou et la virole vers l'avant et visser l'écrou sur le filetage du raccord coudé.
6. Pour un raccordement avec raccord souple tressé, fixer l'écrou au raccord coudé à l'aide d'une clé plate de  $\frac{5}{8}$ " ou d'une clé à molette.

**REMARQUE :** Ne pas utiliser de ruban adhésif en Téflon® avec les raccords de compression.



7. Maintenir le raccord coudé de 90° à l'aide d'une clé à molette et serrer l'écrou avec l'autre clé à molette ou la clé plate de  $\frac{5}{8}$ ".



8. Placer un essuie-tout sous le raccord coudé.
9. Ouvrir l'alimentation en eau.
10. Vérifier qu'il n'y a pas de fuites.

## Raccordement électrique—Méthode de raccordement direct

Consulter la section "Spécifications électriques" avant de commencer.

Veiller à ce que l'installation électrique soit correctement effectuée et soit conforme aux prescriptions de tous les codes locaux et nationaux en vigueur.

### ⚠ AVERTISSEMENT



#### Risque de choc électrique

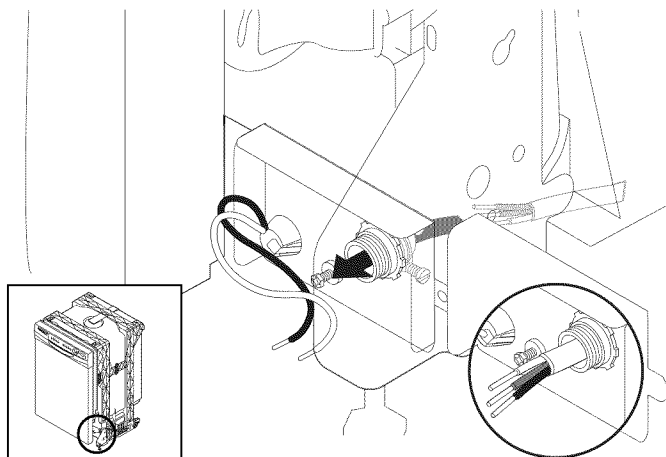
**Relier le lave-vaisselle à la terre d'une méthode électrique.**

**Brancher le fil relié à la terre au connecteur vert relié à la terre dans la boîte de la borne.**

**Ne pas utiliser un câble de rallonge.**

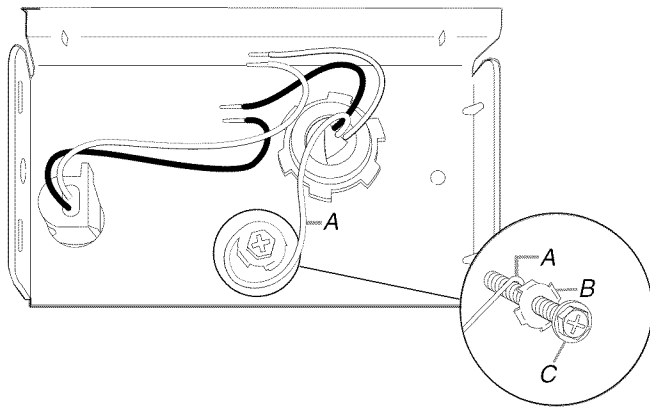
**Le non-respect de ces instructions peut causer un décès, un incendie ou un choc électrique.**

1. Acheminer le câble de raccordement direct de telle manière qu'il ne touche pas le moteur du lave-vaisselle ou la partie inférieure de la cuve du lave-vaisselle.
2. Tirer le câble de raccordement direct en le faisant passer par le connecteur de conduit jusqu'au boîtier de connexion.



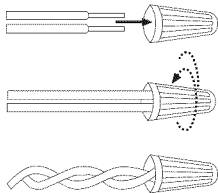
3. Former un crochet en forme de u avec le conducteur nu de liaison à la terre.
4. Enrouler le crochet du conducteur de liaison à la terre autour de la vis verte de liaison à la terre et sous la rondelle (dans le sens horaire).

5. Serrer la vis de liaison à la terre verte.

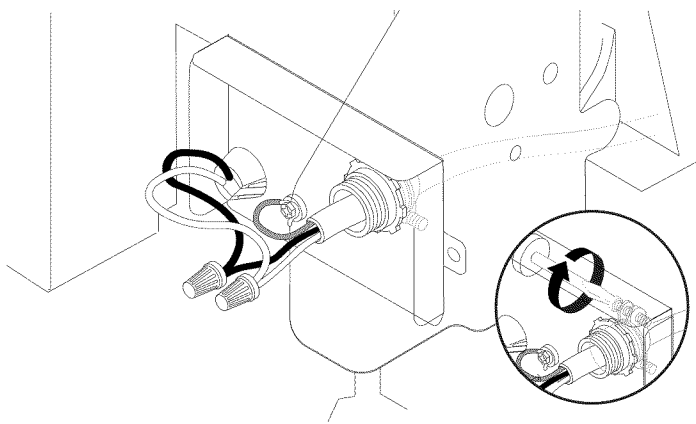


A. Conducteur nu de liaison à la terre  
B. Rondelle  
C. Vis verte de liaison à la terre

6. À l'aide d'un connecteur de fils homologué UL/CSA d'une taille suffisante pour raccorder le câble de raccordement direct au câblage de diamètre 16 du lave-vaisselle, connecter le conducteur blanc de l'alimentation électrique au conducteur blanc du boîtier de connexion.

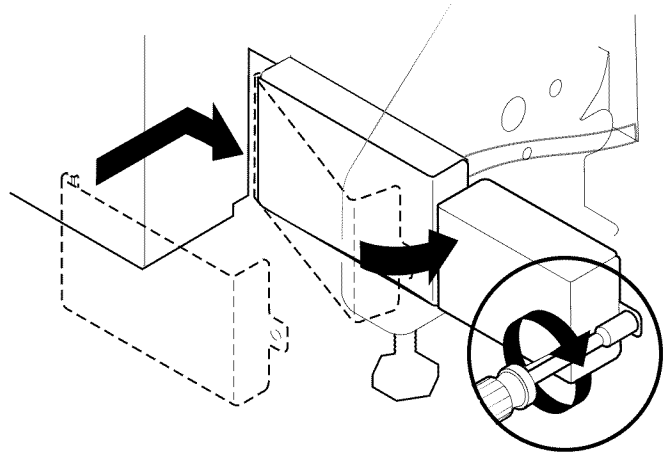


7. À l'aide d'un connecteur de fils homologué UL/CSA d'une taille suffisante pour raccorder le câble de raccordement direct au câble de diamètre 16 du lave-vaisselle, connecter le conducteur noir de l'alimentation électrique au conducteur noir du boîtier de connexion.



8. Serrer les vis du connecteur de conduit.  
**REMARQUE :** S'assurer que les têtes de vis sont orientées vers la gauche lors du serrage de l'écrou à conduit.  
9. Insérer les languettes sur le côté gauche du couvercle du boîtier de connexion.

10. À l'aide d'un tourne-écrou de 1/4" et de la vis précédemment ôtée, réinstaller le couvercle du boîtier de connexion en plaçant les conducteurs à l'intérieur du boîtier de connexion.



11. Veiller à ne coincer aucun conducteur avec le couvercle.

## Fixation du lave-vaisselle au placard

### ⚠ AVERTISSEMENT



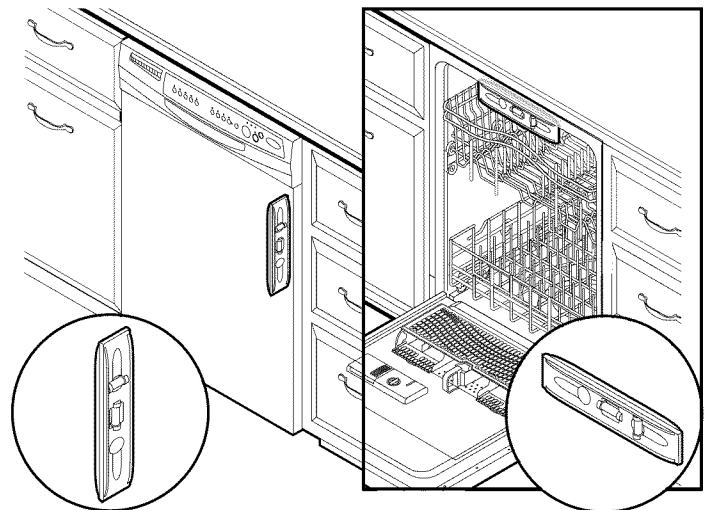
#### Risque de basculement

**Ne pas utiliser le lave-vaisselle jusqu'à ce qu'il soit complètement installé.**

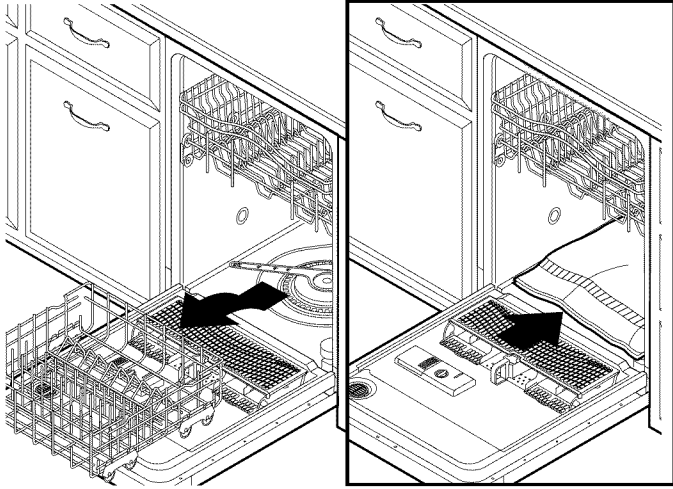
**Ne pas appuyer sur la porte ouverte.**

**Le non-respect de ces instructions peut causer des blessures graves ou des coupures.**

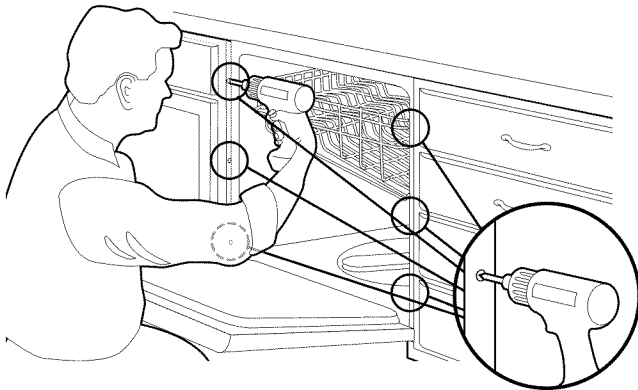
1. Contrôler l'aplomb du lave-vaisselle et le centrage latéral de l'appareil dans l'ouverture.



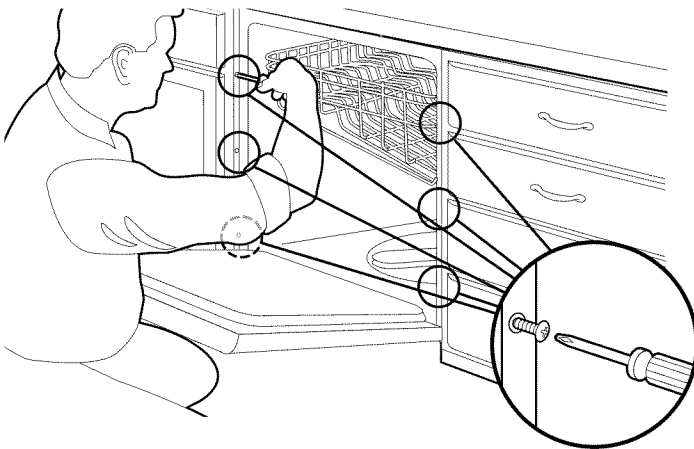
2. Ouvrir la porte du lave-vaisselle et retirer le panier à vaisselle inférieur.
3. Placer une serviette sur la pompe et le bras d'aspersion du lave-vaisselle pour empêcher les vis de tomber dans la zone de la pompe pendant l'installation.



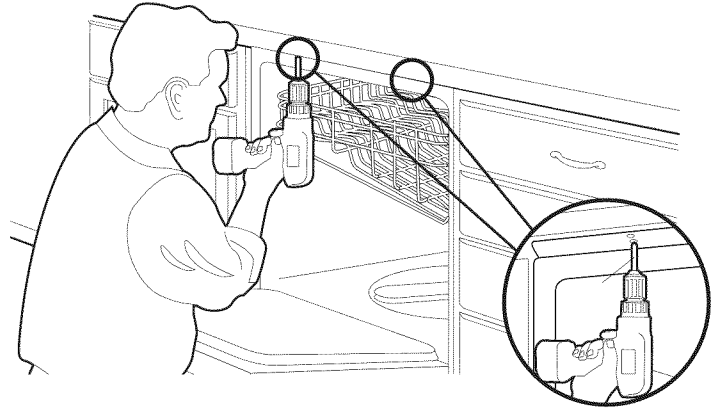
4. Ouvrir la porte. À l'aide d'un foret de 1/8", percer des trous dans les tringles de montage latérales.



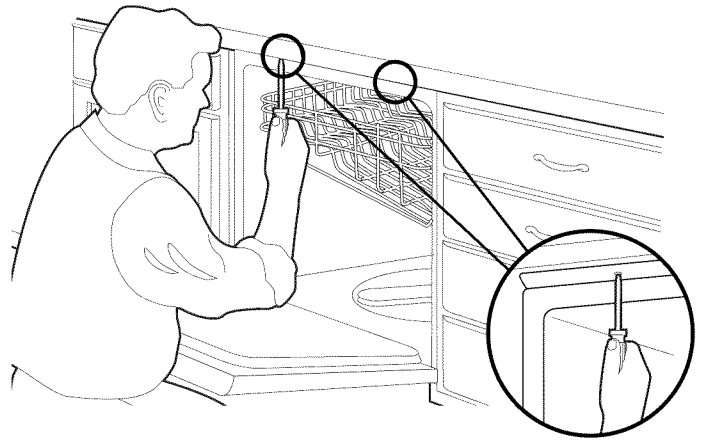
5. Insérer les vis de montage (fournies) dans les trous du placard pour fixer le lave-vaisselle au placard.



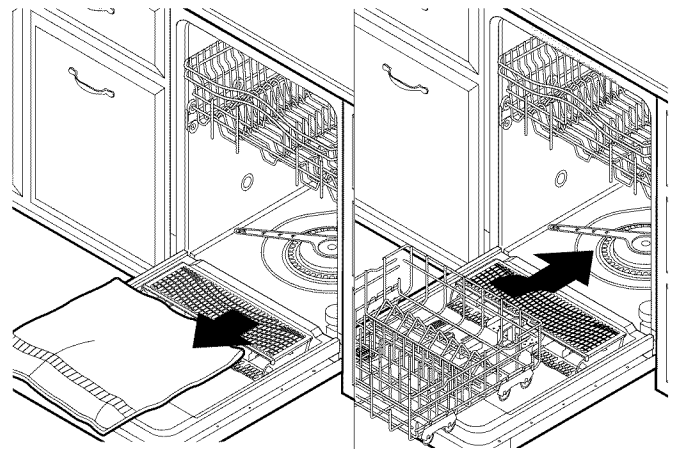
6. Pour les plans de travail avec dessous en bois uniquement, utiliser un foret de 1/8" pour percer des trous dans la tringle de montage supérieure, dans le dessous en bois du plan de travail.



7. Utiliser les vis de montage pour plan de travail pour fixer le lave-vaisselle au plan de travail.

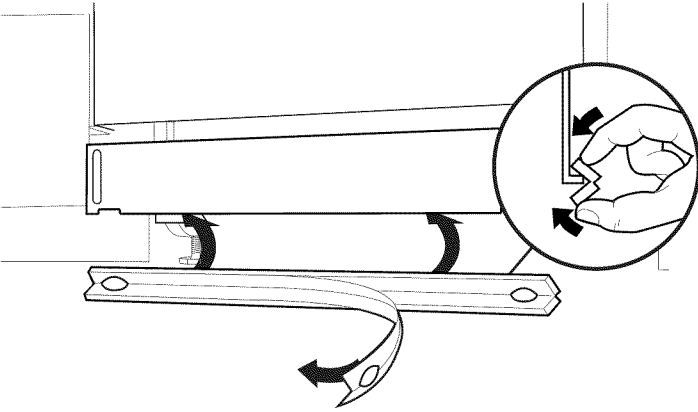


8. Retirer la serviette du lave-vaisselle.
9. Réinstaller le panier à vaisselle inférieur.

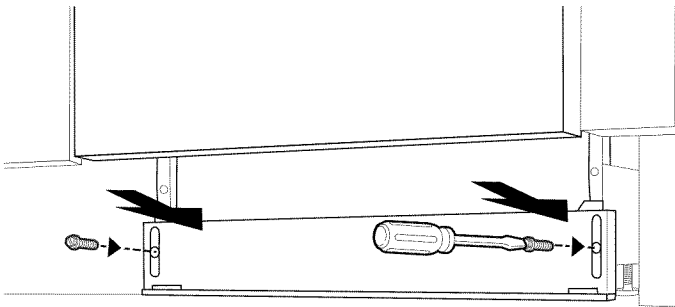


## Achever l'installation

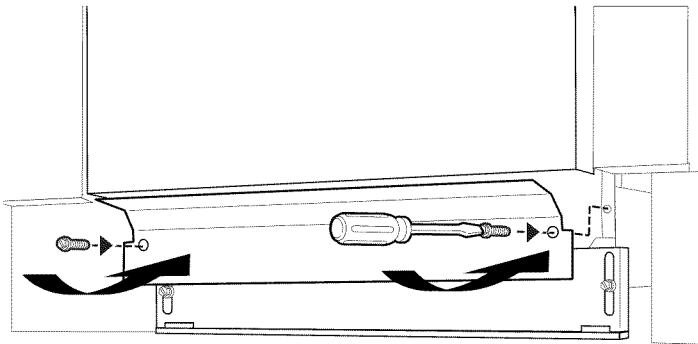
1. Sur certains modèles, ôter l'endos et fixer la bande d'insonorisation sous la porte du lave-vaisselle.



2. Réinstaller le panneau inférieur en premier.

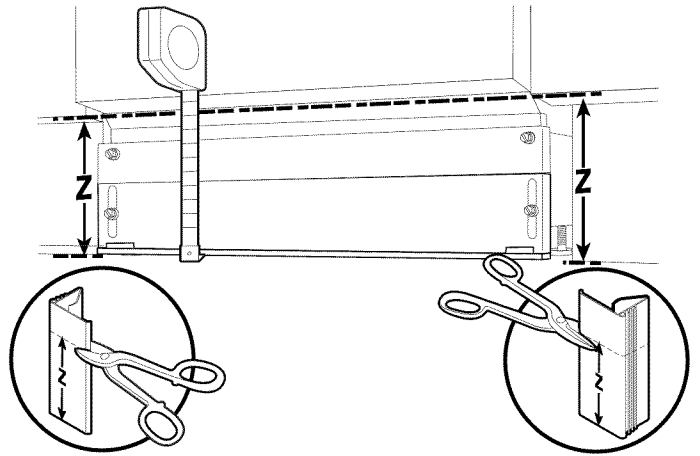


3. Réinstaller le panneau d'accès.

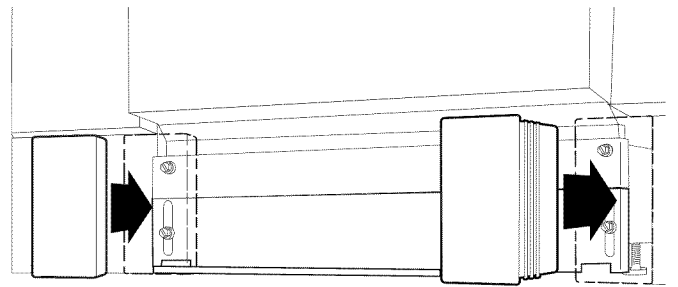


4. Sur certains modèles avec scellage insonorisant, mesurer la distance entre le fond du lave-vaisselle et le plancher.

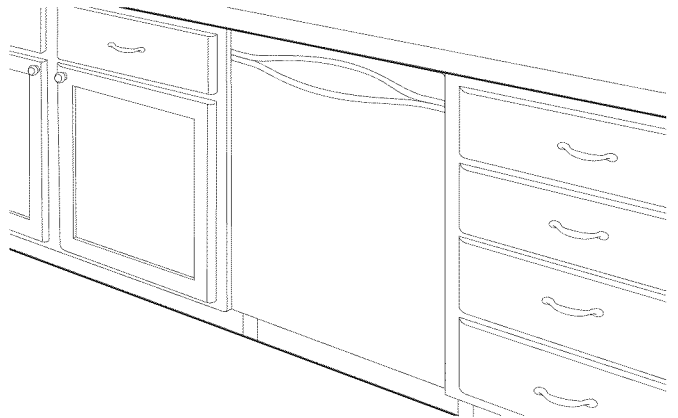
5. Découper le scellage insonorisant aux bonnes dimensions.



6. Installer le scellage insonorisant.



7. L'installation est terminée.



## Méthode de raccordement direct

### **AVERTISSEMENT**



#### Risque de choc électrique

Relier le lave-vaisselle à la terre d'une méthode électrique.

Brancher le fil relié à la terre au connecteur vert relié à la terre dans la boîte de la borne.

Ne pas utiliser un câble de rallonge.

Le non-respect de ces instructions peut causer un décès, un incendie ou un choc électrique.

## Vérification du fonctionnement du lave-vaisselle

1. Lire les instructions d'utilisation comprises avec le lave-vaisselle.
2. Vérifier que toutes les pièces ont été installées et qu'aucune étape n'a été omise.
3. Vérifier la présence de tous les outils utilisés.
4. Mettre le lave-vaisselle en marche et le laisser effectuer complètement le programme de lavage le plus court.
5. Après 2 minutes, déverrouiller la porte. Attendre 5 secondes puis ouvrir la porte.
6. Vérifier qu'il y a bien de l'eau au fond de la cuve du lave-vaisselle.
7. Vérifier que le lave-vaisselle fonctionne correctement.

### Si vous avez besoin d'assistance ou de service

Consulter la section "Assistance ou service" des Instructions d'utilisation ou contacter le marchand auprès duquel le lave-vaisselle a été acheté.

## Méthode avec cordon d'alimentation électrique

### **AVERTISSEMENT**



#### Risque de choc électrique

Brancher sur une prise à 3 alvéoles reliée à la terre.

Ne pas enlever la broche de liaison à la terre.

Ne pas utiliser un adaptateur.

Ne pas utiliser un câble de rallonge.

Le non-respect de ces instructions peut causer un décès, un incendie ou un choc électrique.

8. Rebrancher le lave-vaisselle et reconnecter la source de courant électrique.