

Safety Instructions

- This product and control box are both rated as IP67. It can be used outdoors but cannot be immersed in water.
- Tighten up the waterproof cap before using the light.
- Do not allow children to assemble and install this product.
- Avoid installing this product near major heat sources or other dangerous sources.
- Avoid using other non-standard adapters for this product.
- External dimmer cannot be used with this product.
- Use this product with the provided power adapter only.
- This device uses a non-replaceable light source. When the light source reaches the end of its life cycle, this device should be replaced.
- Do not connect the ground lights to the supply while it is in the packing or wound onto a reel.
- Do not open or cut the ground lights.
- Risk of Electric Shock. The adapter install only to a covered Class A GFCI receptacle that has an enclosure that is weatherproof with the attachment plug cap inserted or removed.
- The operating temperature should be within -20°C to 45°C (-4°F to 113°F).
- Only use the control box provided with or specified by these instructions to control this lamp. This lamp will not operate properly when connected to a standard (incandescent) dimmer or dimming control.
- CAUTION-The product is not a toy. Children and the disabled should use it under adult supervision.

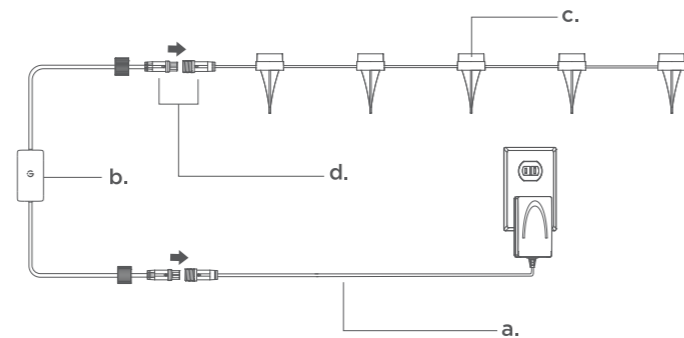
Introduction

Thanks for choosing the Govee Outdoor Ground Lights 2. The ground lights can reflect a large area of light on the ground. It is rated as IP67. The anti-UV and resistant material makes it suitable for outdoor use. With Govee Home App, you can adjust the colors and brightness of the lights. You can also turn on the music mode to allow lighting effects to synchronize with rhythms, creating a colorful light show.

What You Get

Item	Quantity
Ground Light	1
Power Adapter	1
User Manual	1

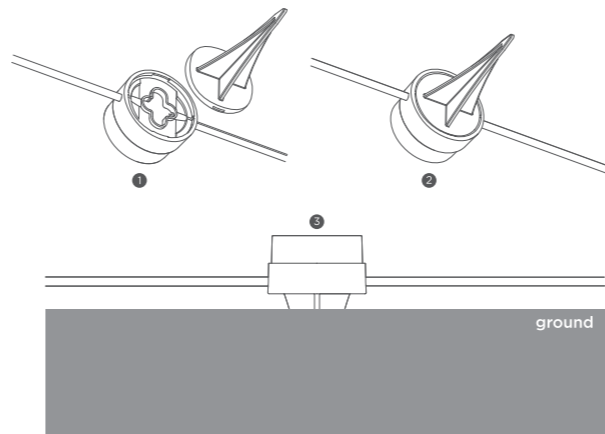
At a Glance



- a. Adapter
- b. Control Box
- c. Ground Light
- d. Waterproof Connector

Installation Steps

1. Insert the ground lights.
2. Power on to enjoy your lights.



Pairing Your Device with the Govee Home App

What You Need:

- A Wi-Fi router supporting the 2.4GHz and 802.11b/g/n bands. 5GHz is not supported.
- A smartphone or tablet running iOS 8.0 (or above) or android 4.3 (or above).



1. Download Govee Home App from the App Store (iOS devices) or Google Play (Android devices).
2. Turn on the Bluetooth on your smartphone.
3. Open the app, tap the "+" icon in the top right corner and search for "H7052."
4. Tap the device icon and follow the on-screen instructions to complete pairing.

Controlling the Light with Your Voice

1. Open the app, then tap the device icon to enter the details page.
2. Tap the settings icon in the top right corner.
3. Select User Guide and follow the on-screen instructions to control the device using your voice.

Specifications

Power Input (Adapter)	100-240VAC 50/60Hz
Power Input (Light)	24VDC 1.5A
Length	50ft/15m
Waterproof	Ground Lights: IP67 Control Box: IP67
Light Displaying Technology	RGBIC
Color Temperature	2700K
Working Temperature	-20°C to 45°C (-4°F to 113°F)

Troubleshooting

1. Failed to connect to Govee Home App.
 - Make sure the ground lights are connected to power.
 - Make sure your smartphone's Bluetooth is enabled.
 - Keep your smartphone close to the control box and try again.



Govee Home App

For FAQs and more information, please visit: www.govee.com

2. Missing parts/Receiving products from a secondary sale.

- Check the pictures on the web page to confirm what parts are missing and contact customer service in the app for replacements.

- If you received a product from a secondary sale or a product that cannot work properly, please contact customer service in the app for a replacement.

3. Network failure

- Make sure your home Wi-Fi is 2.4Ghz, and your smartphone's Bluetooth is on.

- If the light is too far away from the Wi-Fi, bring the device closer to the Wi-Fi, and then reconnect to the network.

- Check if there are too many devices connected to the network. If so, change to another network.

- If the above methods cannot solve your problems, please contact customer service in the app to replace the control box.

4. App operation guide is needed.

- Open Govee Home App, tap My Profile>> Govee Instructions>> App Guide>> How to Use, to find more details.

If your problem persists, please contact Customer Support.

Customer Service

🔗 Warranty: 12-Month Limited Warranty

🔍 Support: Lifetime Technical Support

✉ Email: support@govee.com

🌐 Official Website: www.govee.com

📺 @Govee 📷 @govee_official 📢 @govee.official

🐦 @Goveeofficial 📘 @Govee.smarthome

FCC and ISED Canada Statement

This device complies with Part 15 of the FCC Rules and Industry Canada licence-exempt RSS standard(s). Operation is subject to the following two conditions:

- (1) This device may not cause harmful interference, and
- (2) This device must accept any interference received, including interference that may cause undesired operation.

Warning: Changes or modifications not expressly approved by the party responsible for compliance could void the user's authority to operate the equipment.

Le présent appareil est conforme aux CNR d'Industrie Canada applicables aux appareils radio exempts de licence. L'exploitation est autorisée aux deux conditions suivantes :

- (1) l'appareil ne doit pas produire de brouillage, et
- (2) l'utilisateur de l'appareil doit accepter tout brouillage radioélectrique subi, même si le brouillage est susceptible d'en compromettre le fonctionnement.

NOTE: This equipment has been tested and found to comply with the limits for a Class B digital device, pursuant to Part 15 of the FCC Rules.

These limits are designed to provide reasonable protection against harmful interference in a residential installation. This equipment generates uses and can radiate radio frequency energy and, if not installed and used in accordance with the instructions, may cause harmful interference to radio communications. However, there is no guarantee that interference will not occur in a particular installation. If this equipment does cause harmful interference to radio or television reception, which can be determined by turning the equipment off and on, the user is encouraged to try to correct the interference by one or more of the following measures:

- 1.Reorient or relocate the receiving antenna.
- 2.Increase the separation between the equipment and receiver.
- 3.Connect the equipment into an outlet on a circuit different from that to which the receiver is connected.
- 4.Consult the dealer or an experienced radio/TV technician for help.

This Class B digital apparatus complies with Canadian ICES-005.
Cet appareil numérique de la classe B est conforme à la norme NMB-005 du Canada.

FCC and IC Radiation Exposure Statement

This equipment complies with FCC and IC radiation exposure limits set forth for an uncontrolled environment. This equipment should be installed and operated with minimum distance 20cm between the radiator & your body.

Lors de l'utilisation du produit, maintenez une distance de 20 cm du corps afin de vous conformer aux exigences en matière d'exposition RF.

Responsible party (this contact information is only for FCC matters) :

Name: GOVEE MOMENTS(US) TRADING LIMITED

Address: 2501 Chatham Rd Suite R Springfield IL 62704

Email: certification@govee.com

Contact information: <https://www.govee.com/support>

The Bluetooth® word mark and logos are registered trademarks owned by Bluetooth SIG, Inc. and any use of such marks by Shenzhen Qianyan Technology LTD is under license.
The trademark Govee have been authorised to Shenzhen Qianyan Technology LTD.
Copyright ©2021 Shenzhen Qianyan Technology LTD.
All Rights Reserved.



User Manual

Model: H7052
Govee Outdoor Ground Lights 2