

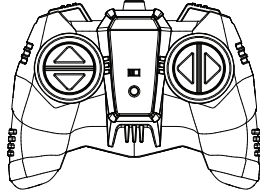


DHTRC10697G

3+

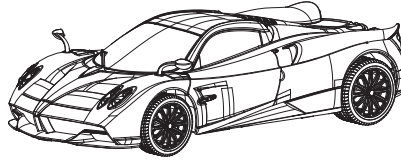
Contents

- RC Vehicle x 1
- RC Transmitter x 1
- Instruction Manual x 1



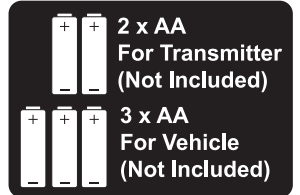
RC Transmitter x 1

2.4GHz



RC Vehicle x 1

Battery Requirement



Battery Precaution

- Alkaline batteries are recommended to be used.
- Only batteries of the same or equivalent type as recommended are to be used.
- Do not mix alkaline, standard (carbon-zinc) or rechargeable batteries.
- Do not mix old and new batteries or different type of batteries.
- Non-rechargeable batteries are not to be charged.
- If rechargeable batteries are to be used, they are only to be charged under adult supervision.
- Rechargeable batteries are to be removed from the product before they are charged.
- Be sure to insert batteries with correct polarities and always follow the battery manufacturer's instructions.
- Remove all batteries from the Vehicle and Transmitter when not in use.
- Exhausted batteries are to be removed from the product.
- The supply terminals are not to be short-circuited.
- Dispose of batteries properly. Do not dispose the batteries in fire – it may cause them to explode or leak causing injury or damage.
- Battery installation and removal must only be done by adult.

Caution

- Do not attempt to disassemble the vehicle or the transmitter.
- Make sure the batteries are installed with the correct polarity (+/-) as indicated inside the battery compartment.
- Remove all packaging and take out all accessories before giving the vehicle and the transmitter to a child to play with.
- This toy produces flashing lights that may trigger seizures in sensitive individuals.
- The packaging and instruction manual contain important information. Please keep them for future reference.
- Choking hazard. Not suitable for children under 3 years due to small parts.
- We reserve the right to modify or improve the features and colors without prior notice.

P&C
DHTRC10697GR
IC: 34268-HT2132R
Made in China /
Fabriqué en Chine

T2511200832
(RCPC3725)
2.4GHz
CANADA 210

P&C
DHTRC10697GT
IC: 34268-DH127G
Made in China /
Fabriqué en Chine

T2511200832
(RCPC3725)
2.4GHz
CANADA 210

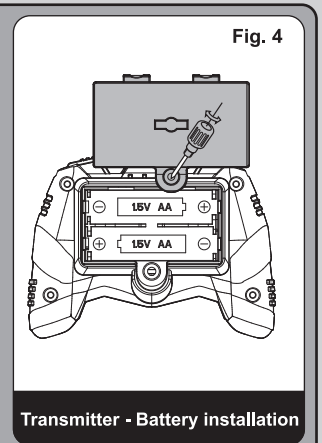
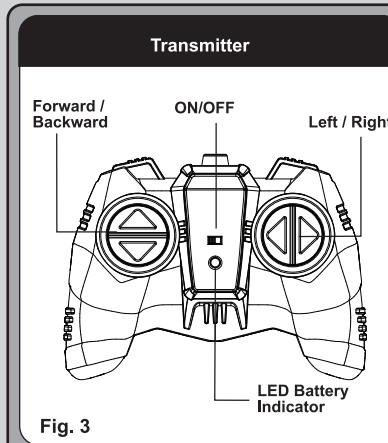
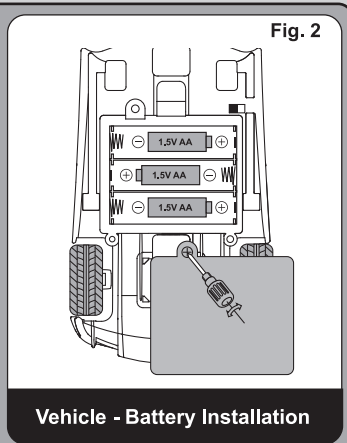
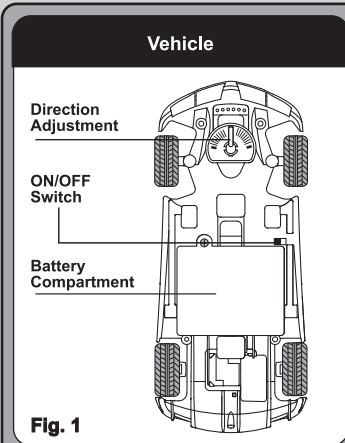
Battery Installation

For Vehicle (Fig. 1 and Fig. 2)

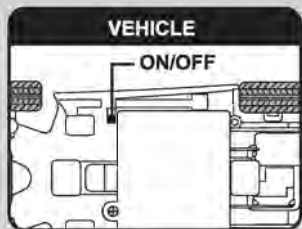
- Switch OFF the power.
- Unscrew the screw on the battery cover.
- Open the battery cover.
- Install 3 new 1.5V "AA" batteries with correct polarities (+/-) as shown inside the battery compartment.
- Close the battery cover.
- Tighten the screw on the battery cover.

For Transmitter (Fig. 3 and Fig. 4)

- Unscrew the screw on the battery cover.
- Open the battery cover.
- Install 2 new 1.5V "AA" batteries with correct polarity (+/-) as shown inside the battery compartment.
- Close the battery cover.
- Tighten the screw on the battery cover.



How To Play



1. Switch ON the Vehicle.
2. Use the Forward / Backward button (Fig.5) to drive the Vehicle forward and backward.
3. Use the Left / Right button (Fig.5) to control the Vehicle turning left or right.

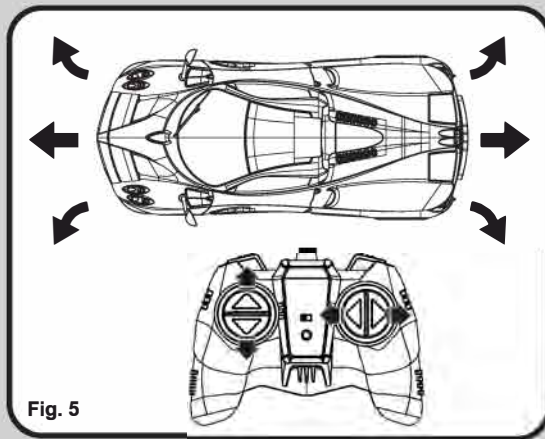


Fig. 5

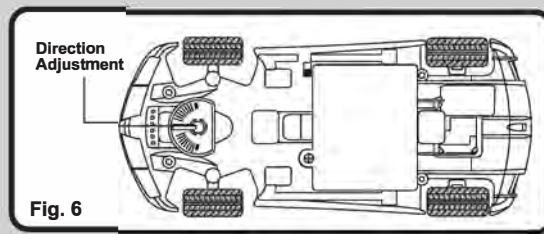


Fig. 6

4. If the vehicle does not run in straight line, adjust the Direction Adjustment / wheel alignment lever on the vehicle chassis (Fig. 6).
5. Play on smooth surface to have the optimum performance.
6. The optimum control range is up to 30m (98ft) outdoor.

Performance Tips

1. Do not drive on grass, dirt, sand, dusts, carpet or go through water.
2. Do not drive in windy or rainy weather.
3. Avoid direct impact the Vehicle with obstacles.
4. Switch OFF the power when not in use to prevent damage of Vehicle and Transmitter due to leakage of electrolyte from batteries.
5. Remove all batteries from the Vehicle and Transmitter when not in use for long period.
6. Keep fingers, hair and loose clothing away from wheels.
7. The operating range can be affected by a variety of factors.
 - a) Low Voltage of batteries in Transmitter or Vehicle.
 - b) Interference from other items that emit radio frequency signals.
8. Outdoor usage is recommended in order to get optimum control range.
9. Recommend to play the vehicle on a clean and smooth surface.
10. Clean the battery compartment to make sure it is free from dust to prevent poor contact of batteries.

ISED compliance statements

This device contains licence-exempt transmitter(s)/receiver(s) that comply with Innovation, Science and Economic Development Canada's licence-exempt RSS(s). Operation is subject to the following two conditions: (1) This device may not cause interference; (2) This device must accept any interference, including interference that may cause undesired operation of the device.

This equipment complies with IC RSS-102 radiation exposure limits set forth for an uncontrolled environment.

Environmental notes:

The whole product also does not belong to household waste at the end of the product life.

You can return it at collection points for the recycling of electronic and electrical instruments

The symbol on the item, instruction manual, hangtag or packing is showing this clearly.

Materials should be recycled according to their respective markings.

Recycling of old devices or other re-use of materials contained therein represents an important contribution to environmental protection.

Please ask at your local community for the correct collection point.



Disposal of batteries

Batteries should not be disposed of in the household waste. As the consumer you are legally obliged to return batteries containing harmful substances and all other used batteries. You can hand in your old batteries at public collection points in your area or wherever batteries are sold.

You will find these chemical abbreviations along with a crossed-out refuse bin on batteries containing harmful substances:

Pb=Battery contains lead

Cd=Battery contains cadmium

Hg=Battery contains mercury



FCC Compliance Statements

This device complies with Part 15 of the FCC Rules. Operation is subject to the following two conditions: (1) this device may not cause harmful interference, and (2) this device must accept any interference received, including interference that may cause undesired operation.

Caution: Changes or modifications not expressly approved by the party responsible for compliance could void the user's authority to operate the equipment.

Note: This equipment has been tested and found to comply with the limits for a Class B digital device, pursuant to Part 15 of the FCC Rules. These limits are designed to provide reasonable protection against harmful interference in a residential installation. This equipment generates, uses and can radiate radio frequency energy and, if not installed and used in accordance with the instructions, may cause harmful interference to radio communications. However, there is no guarantee that interference will not occur in a particular installation.

If this equipment does cause harmful interference to radio or television reception, which can be determined by turning the equipment off and on, the user is encouraged to try to correct the interference by one or more of the following measures:

- Reorient or relocate the receiving antenna.
- Increase the separation between the equipment and receiver.
- Connect the equipment into an outlet on a circuit different from that to which the receiver is connected.
- Consult the dealer or an experienced radio/TV technician for help.



P&C International Development Ltd.
Room 902A, 9/F, Empire Centre,
Tsim Sha Tsui, Kowloon, Hong Kong
info@pnctoy.com.hk http://www.pnctoy.com
Made in China



WARNING CHOKING HAZARD
Small parts. Not for children under 3 years.

ATTENTION RISQUE D'ÉTOUFFEMENT
Petites pièces. Ne convient pas aux enfants de moins de 3 ans.



Distributed by / Distribué par
Groupe Ricochet Inc.
Blainville, Qc, Canada
www.groupericochet.com

Conforms to the safety
requirements of ASTM F963

Images are for illustration purposes only. Colors and content may differ slightly.
Images à titre d'illustration seulement. Les couleurs et le contenu peuvent différer légèrement.