

KEENON

KEENON ROBOTIC LAWN MOWER, KEENMOW K1

User Manual



EN
03

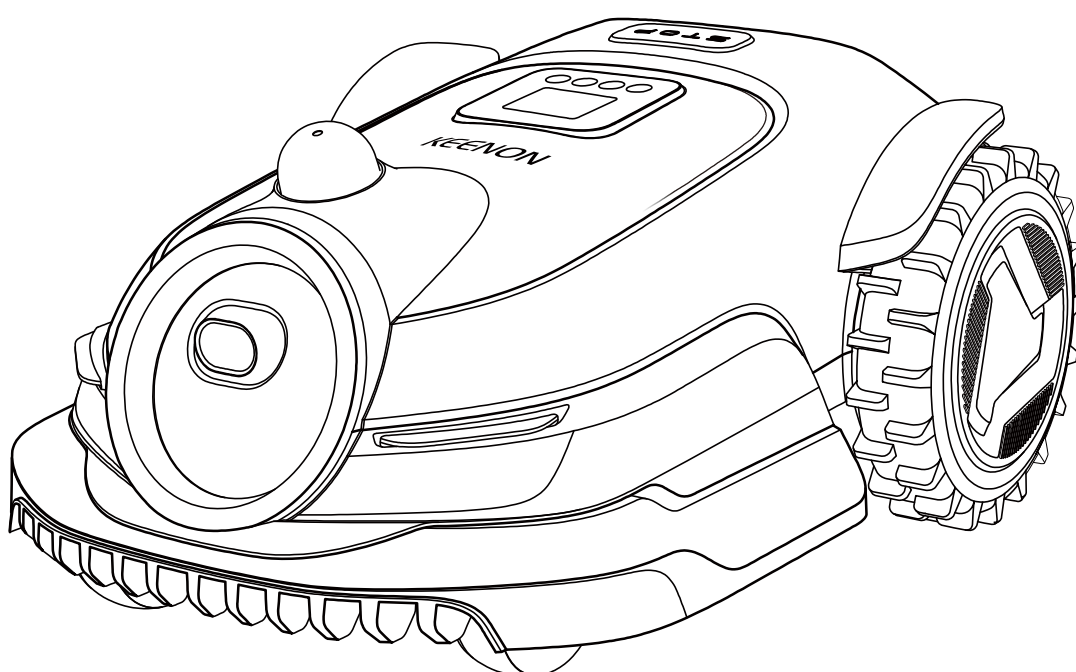
DE
43

FR
82

IT
121

ES
160

SW
199



KEENON ROBOTIC LAWN MOWER, KEENMOW K1

User Manual

Table of Contents

1	Safety Instructions	05
2	Get familiar with KeenMow K1	09
3	How KeenMow Works	11
4	Get Started: Installation	12
5	Prepare for the First Use	15
6	Map Your Garden	20
7	Operate Your KeenMow K1	26
8	KEENON App	29
9	Maintenance	31
10	Battery Care & Storage	36
11	Winter Storage	36
12	Transport Guidelines	36
13	Troubleshooting	37
14	Technical Data	40

1. Safety Instructions

WARNING: Read all safety warnings and all instructions. Failure to follow the warnings and instructions may result in electric shock, fire and/or serious injury.

Save all warnings and instructions for future reference.

- This appliance is not intended for use by persons (including children) with reduced physical, sensory or mental capabilities, or lack of experience and knowledge, unless they have been given supervision or instruction concerning use of the appliance by a person responsible for their safety.
- Children should be supervised to ensure that they do not play with the appliance.

WARNING: For the purposes of recharging the battery, only use the detachable supply unit provided with this appliance.

WARNING: To reduce the risk of injury to persons and damage to the machine, do not remove battery pack before switching off the machine.

IMPORTANT READ CAREFULLY BEFORE USE KEEP FOR FUTURE REFERENCE

General Safety Guidelines

Genuine Accessories: To ensure safety and compatibility, use only equipment and accessories officially recommended and supplied by the manufacturer. The use of non-original parts may pose safety risks and invalidate the warranty.

Personal Safety:

- Keep children, pets, and bystanders away from the work area during operation.
- Do not use the product in areas where children or pets are unattended, or where the public is unaware of the machine's presence.
- Always walk, do not run, when manually controlling the device. Exercise extra caution on slopes and maintain your balance.

Public Safety: If operating near public areas, clearly place warning signs around the work perimeter with text such as: "DANGER! Automatic Lawn Mower in Operation! Keep Away! Supervise Children!"

Personal Protective Equipment (PPE): Always wear sturdy, closed-toe footwear and long pants while operating the equipment.

Work Area Planning: Do not set work areas or transit paths across public thoroughfares to prevent accidents or product damage.

Product Status:

- Do not lift or carry the product while it is powered on.
- Do not touch moving hazardous parts, like the blade disc, until they have come to a complete stop.
- If the product vibrates abnormally or appears damaged, stop use immediately and do not restart until the issue is resolved.

Electrical Safety:

- Charge the product only with the original charging base supplied in the packaging.
- When connecting to a power outlet, it is recommended to use a Residual-Current Device (RCD) with a rated tripping current not exceeding 30 mA.
- Keep the power cable away from moving parts to prevent damage and electric shock risk. If the cable is damaged, disconnect the plug immediately and have it replaced by qualified personnel.

Intended Operator: This product is not to be used by children or persons with reduced physical, sensory, or mental capabilities, or lack of experience and knowledge. Local regulations may restrict the operator's age.

RF Exposure: To maintain compliance with RF exposure requirements, maintain a separation distance of at least 20cm between the device and the human body.

1.1 Operational Safety

Always keep hands and feet away from the rotating blade disc. Do not place any body parts under or near hazardous zones when the unit is energized.

Immediately activate Park Mode or power the unit OFF if people, children, or pets enter the work area.

Before starting, inspect and clear the lawn of objects such as stones, sticks, toys, or tools to prevent blade damage or objects being thrown.

Do not place any objects on top of the product or the charging base.

Do not operate the product if the emergency STOP function is inoperative.

Avoid collisions between the product and people or animals. Stop the product immediately if a risk of collision arises.

Always power the product OFF when not in use.

Do not operate the product simultaneously with pop-up sprinklers. Utilize the scheduling function to ensure mowing and irrigation times do not overlap.

Avoid placing the boundary wire where pop-up sprinkler heads are installed.

Do not operate the product in areas with standing water (e.g., after heavy rain or due to poor drainage).

1.2 Maintenance Safety

Power the product OFF before performing any cleaning or maintenance.

After cleaning, place the product on the ground in its normal operating position. Do not store it upside down.

If the product is tipped for chassis cleaning, return it to its normal operating position immediately afterward to prevent liquid from entering the motor.

Disconnect the plug from the charging base before cleaning or performing any maintenance on it.

Do not clean the product with a high-pressure washer or corrosive solvents.

1.3 Battery Safety

This product uses a Lithium-Ion battery. Improper handling can result in explosion, fire, or chemical burns.

Dedicated Charger: Use only the charger and power supply provided by the manufacturer.






No Tampering: Do not disassemble, pierce, short-circuit, or expose the battery to water, fire, high temperatures, or direct sunlight. The batteries in this appliance are replaceable by skilled persons only.







No Modifications: Do not attempt to repair or modify the battery. If a leak develops, be aware that the electrolytes are corrosive and toxic. If contact with skin or eyes occurs, flush immediately with plenty of water and seek medical attention.

1.4 Residual Risks

Even with the power off, a risk of injury from sharp edges exists when handling the blades. Always wear sturdy protective gloves during this procedure.

1.5 Symbols and Decals

	<p>WARNING Read user instructions before operating the machine.</p>
	<p>WARNING Keep a safe distance from the machine when operating.</p>
	<p>WARNING Operate the disabling device before working on or lifting the machine.</p>
	<p>WARNING Do not ride on the machine.</p>
	<p>WARNING It is not permitted to dispose of this product as normal household waste. Ensure that the product is recycled in accordance with local legal requirements.</p>

	This product conforms to the applicable EC Directives.
	Class III
	Before charging, read the instructions.
	Direct current
	Class II
	Do not disassemble mower. Repairs should be made only by authorized repair personnel.

INTENDED USE

The product is intended for domestic lawn mowing. It is designed to mow often, maintaining a healthier and better looking lawn than ever before. Depending on the size of your lawn, your mower may be programmed to operate at any time or frequency.

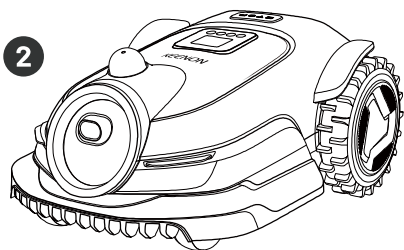
CE

Hereby, Shanghai Keenon Robotics Co., Ltd. declares that the radio equipment model Keenon M-A2501 is in compliance with Directive 2006/42/EC, 2014/30/EU, 2014/35/EU, 2011/65/EU&(EU)2015/863,2014/53/EU. The full text of the EU declaration of conformity is available at the following internet address:
www.keenmow.com

For detailed e-manual, please go to www.keenmow.com.

2. Get familiar with KeenMow K1

2.1 What's in the Box



1 LiDAR protective cover

2 The robot

3 Charging base

4 Power supply

5 Cleaning brush

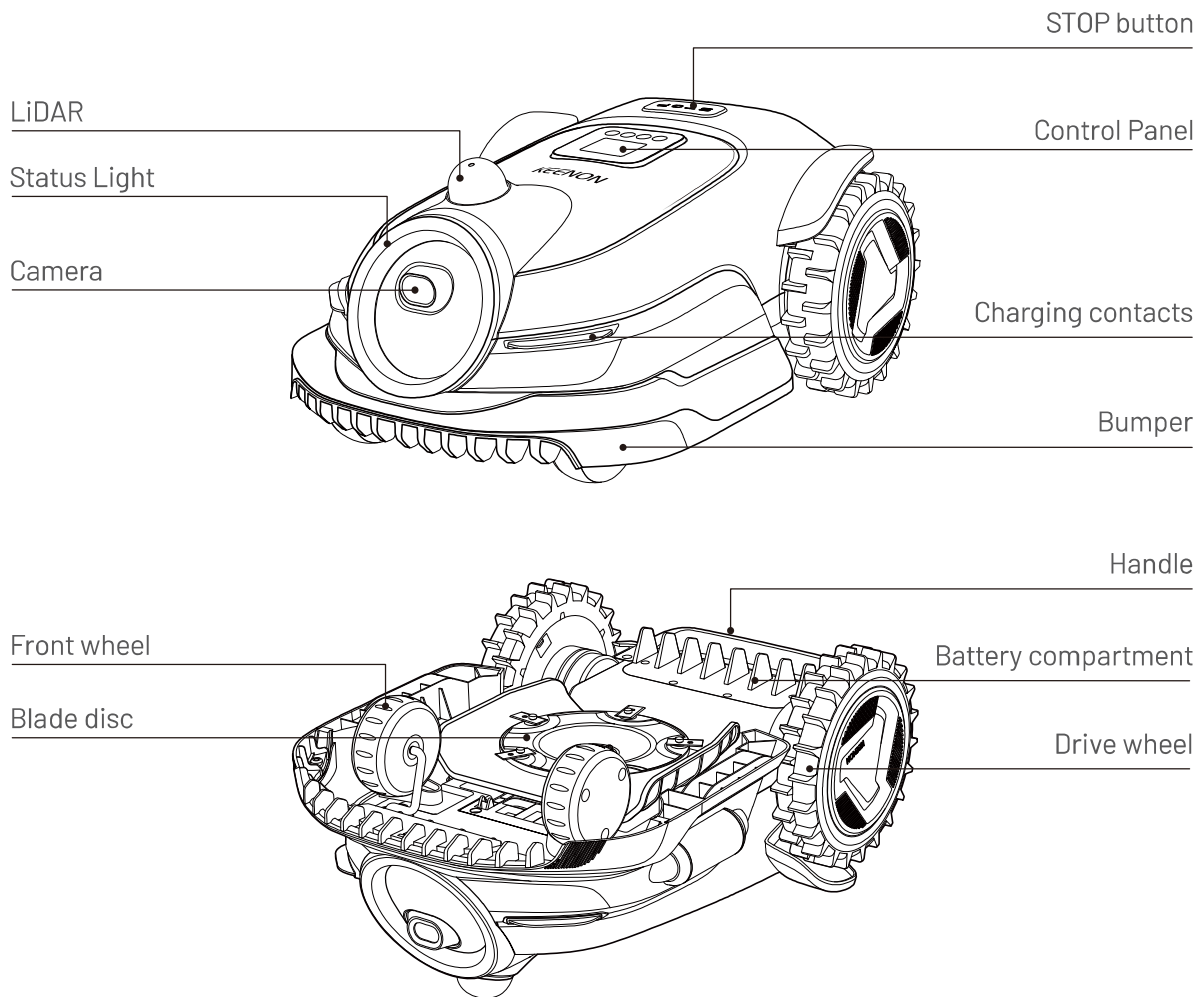
6 Screws x 8, Hex key

7 User manual

8 Quick start guide

9 Spare blades and holders x 15

2.2 Product Overview



Status light: KeenMow will have specific lighting effects to remind you to pay attention to the state of the mower. See 3.2 Light Cue.

Lifting handle: Helps you to lift the mower when necessary.

Stop button: Stops the mower and the blade immediately.

Control panel: The buttons on the control panel can be used for the basic operations of the mower: switch the mower on and off, start mowing, return to the charging base, enter the PIN code to unlock the mower, etc. See 3.1 Display and Control on the Mower.

Bumper: When the bumper hits an obstacle and triggers the internal sensor, the mower will go backward and avoid the obstacle.

LiDAR sensor: Obtains environmental information and facilitates the robot's positioning, obstacle avoidance and sensing of the terrain.

Camera sensor: Detects obstacles, lawn boundaries, and human presence.

3. How KeenMow Works

The KeenMow K1 is designed for fully autonomous and intelligent lawn care. This section introduces the key technologies that enable it to navigate, mow, and manage your garden with minimal human input.

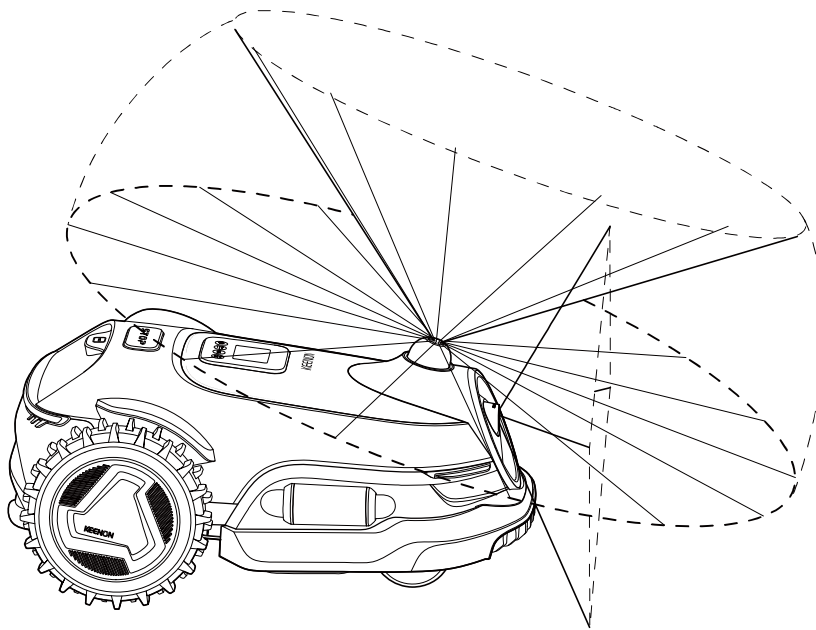
Intelligent Autonomous Operation

KeenMow K1 combines LiDAR sensing and an AI-powered vision system to perceive its surroundings and make real-time decisions.

It can accurately recognize lawn boundaries, avoid obstacles, and automatically return to its charging base when the battery is low or when rain is detected.

If the mower encounters an obstacle, it gently changes direction to continue working efficiently.

For safety, the blade disc stops immediately if the mower is lifted, tilted, or any irregular condition is detected.



AuraVue™: The Core of KeenMow's Precision

At the heart of KeenMow K1 is AuraVue™ — Keenon's next-generation navigation system that gives your mower human-like spatial awareness.

3D LiDAR-Powered Mapping: AuraVue™ uses industrial-grade LiDAR to scan your garden in real time, creating a precise 3D map with centimeter-level accuracy. It doesn't rely on GPS or boundary wires, and it works reliably even under trees, beside walls, or in low light.

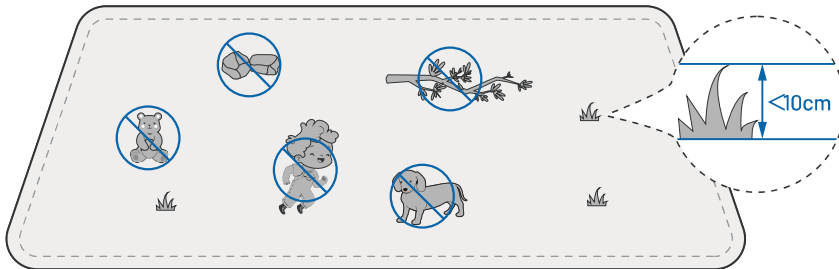
Multi-Sensor Fusion: By combining data from the camera, wheel sensors, compass, and LiDAR, AuraVue™ builds a complete understanding of your garden. The mower can detect small or soft obstacles like toys or hoses, adjust its route instantly, and always stay on track.

With AuraVue™, KeenMow K1 efficiently maps your lawn, optimizes its mowing routes, and ensures full-area coverage — providing a consistently neat and evenly cut lawn with every operation.

4. Installation

4.1 Lawn Preparation

- For best results, cut the grass once with a traditional mower to a height no higher than 10 cm.
- Clear the lawn of debris, stones, branches, toys, and other obstacles.
- Fill any holes or deep uneven spots on the lawn.
- Ensure no children or pets are present in the area before operation.



4.2 Find a Proper Spot for the Charging Base

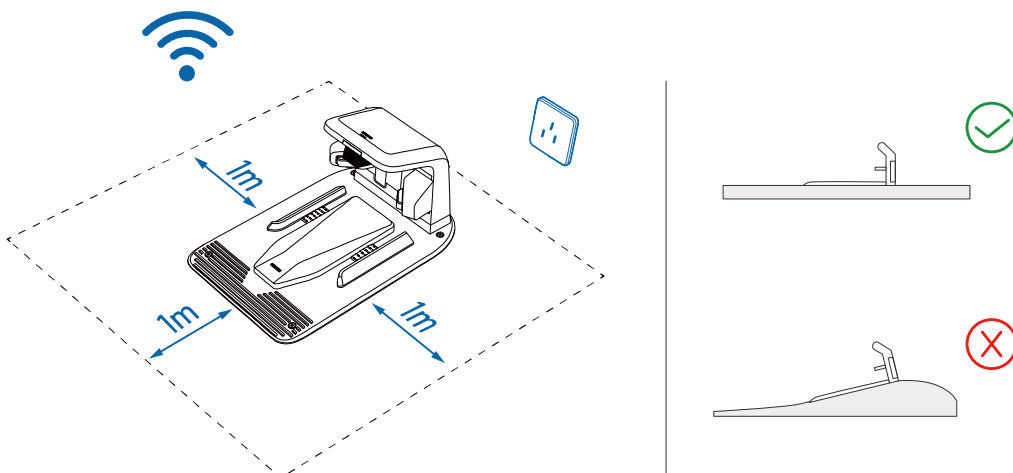
A correctly placed charging base ensures smooth operation and reliable automatic docking.

Choosing the Location:

- Select a flat, firm surface near the edge of your lawn and within reach of a standard power outlet.
- Make sure the area has a strong Wi-Fi signal. You can check this with your smartphone before installation.
- The ground should be solid enough to hold the mounting screws, but soft enough to allow easy installation.
- If you must place the station on a slope, keep the incline as small as possible—a steep slope can cause docking failures.

Clearance Requirements:

- Leave at least 1 meter (3.3 ft) of free space in front of and on both sides of the charging base. This area must be clear of walls, fences, plants, or decorations.
- Keep the grass around the station shorter than 6 cm (2.5 in). If necessary, trim it manually before setup. Overgrown grass can block the robot's return path to the charging contacts.

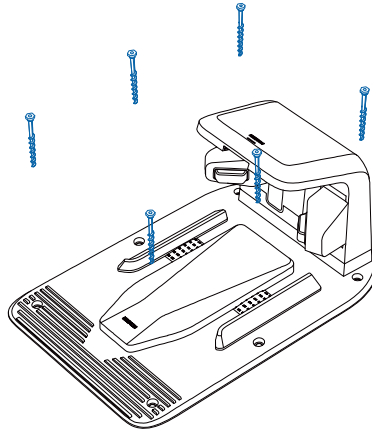


4.3 Assemble & Install the Charging Base

Follow these steps to set up your charging base.

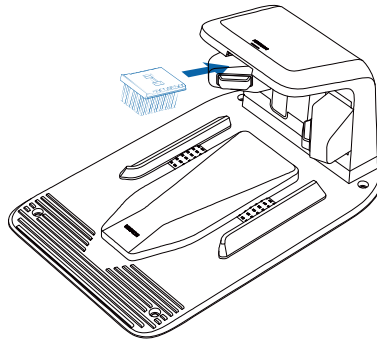
Step 1: Secure the Base Plate

1. Place the base plate at your chosen location.
2. Using the supplied screws and hex key (or appropriate tool) to fasten the base plate firmly to the ground.



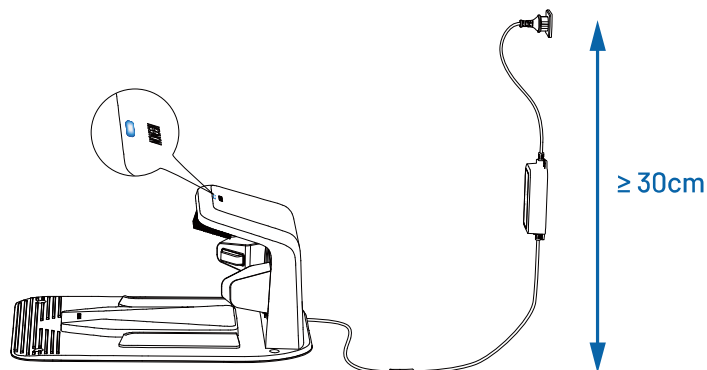
Step 2: Attach the Cleaning Accessory

1. Align the tab on the automatic cleaning brush with the slot on the charging tower.
2. Push gently until it fits flush and secure.



Step 3: Connect the Power

1. Connect the low-voltage cable to the power supply.
2. Plug the power supply into a grounded outdoor outlet.
3. Safety Tip: Mount or position the power supply at least 30 cm (12 in) above the ground to protect it from rain and lawn debris.
4. A solid blue light on the charging base indicates that power is connected.



Step 4: Prepare the Robot

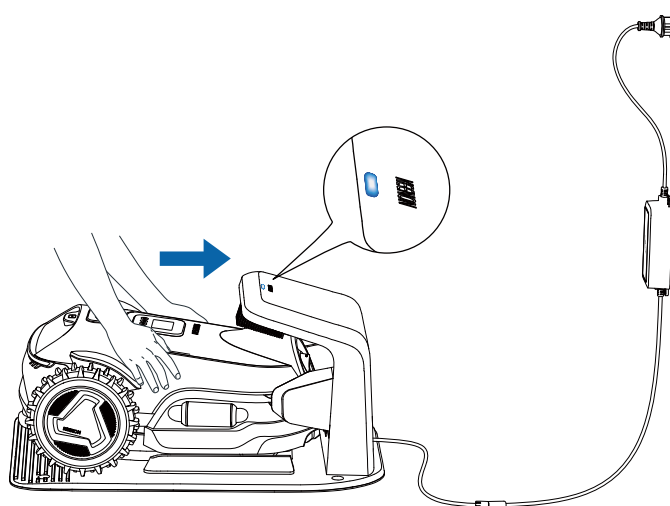
Remove the protective cover from the LiDAR sensor module.

Store the cover in a safe place for future use, such as long-term storage.



Step 5: First Charge

- Manually place the robot onto the charging base. Make sure the metal contacts on the robot and station are properly aligned.
- A breathing green indicator on the robot confirms that charging has started successfully.

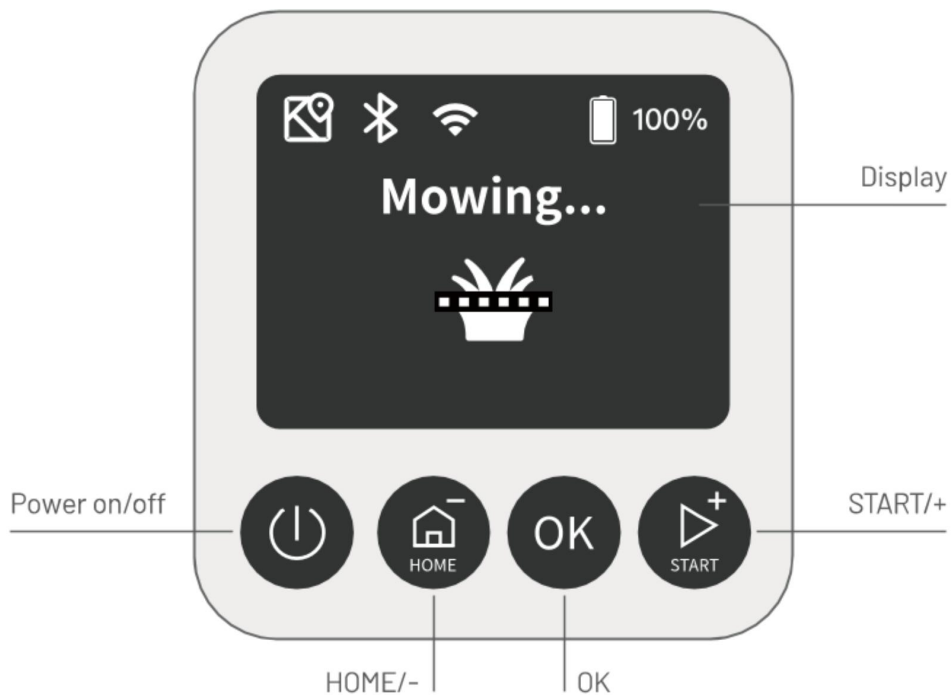


Optional Accessory: For additional protection from sun and rain, an official manufacturer's garage is available for purchase through our online store or authorized retailers.





Note: The use of third-party garages is not recommended, as they may interfere with charging or signal performance.

5. Prepare for the First Use

5.1 Get Familiar with the Control Panel



Display Icons

Icon	Status
 100%	Battery capacity status
	Bluetooth (The robot is connected to the app via Bluetooth.)
	Wi-Fi (The robot is connected to the app via a Wi-Fi network.)
	Schedule (A task is scheduled for today)

Control Buttons

Button	Function
Power	Press and hold for 3 seconds to turn the robot on/off. - When turning on, enter the PIN code on the control panel. - When turning off, make sure the robot is outside the charging base.
START → OK	Start mowing or resume a paused task. Press START, then OK within 5 seconds, or the action will be canceled.
HOME → OK	Send the robot back to the charging base. Press HOME, then OK within 5 seconds, or the action will be canceled.
OK	- Confirm selections or operations. - Press and hold for 3 seconds to enter Bluetooth pairing mode. - Press to clear errors.
+	When entering the PIN code, press + to increase the number by 1. Press OK to confirm once the desired number is reached.
-	When entering the PIN code, press - to decrease the number by 1. Press OK to confirm once the desired number is reached.
START + HOME	To reset the robot, press and hold the START and HOME button together for 5 seconds.
STOP	Immediately stops all robot operations. If STOP was pressed, resume via the control panel: - Press Start, then OK to continue mowing. - Press Home, then OK to return for charging.

Status Light on the Robot

The light strip on the robot indicates its current status.

Light status	Meaning
Solid red	Error detected.
Blinking red	Warning: Blades are about to start. Keep away.
No Light / Light is Off	The robot is in standby or powered off.
Blinking green	Setting confirmed / Operation successful.
Breathing green	Charging in progress.
Solid green	Battery is fully charged.
Solid white	Night mode is active.

Charging Base Indicator Lights

The LED lights on the charging base show the system's operating status.

LED Light Status	Meaning
No Light / Light is Off	<ul style="list-style-type: none">- No power supply or internal issue.- Robot is docked but not charging properly (check contacts).
Solid blue	Station powered on and ready, robot not docked.
Breathing green	Robot is docked and charging.
Solid green	Robot is docked and fully charged.

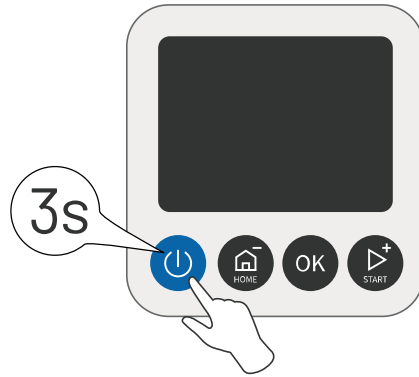
5.2 Setup Guide

Before your first mow, follow these simple steps to get your robotic mower ready.

Powering On

1. On the control panel, press and hold the Power button for 3 seconds to turn it on.

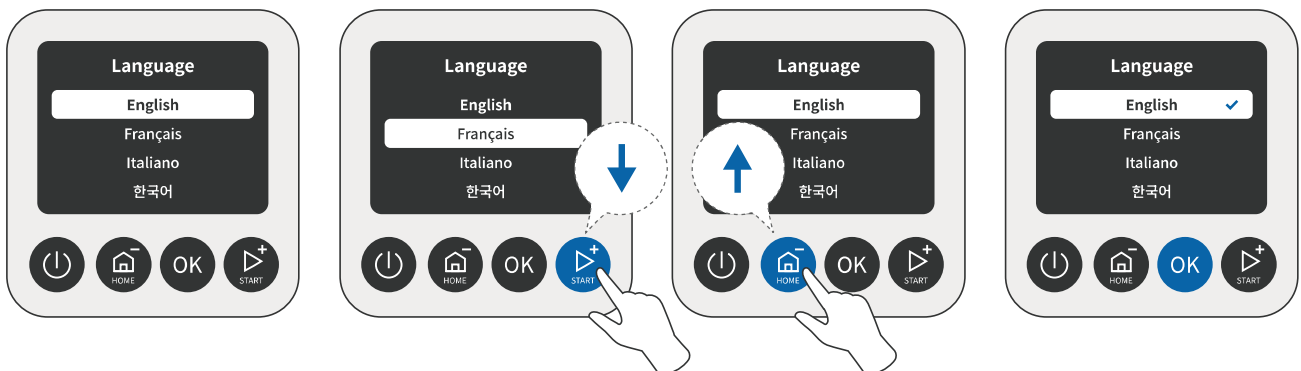
Tips: The mower also powers on automatically when you place it on the charging base.



Set Language

1. Press "+" and "-" button to scroll through the available languages:

- Press "+" to move down the list
- Press "-" to move up the list
- Press "OK" to confirm your choice.



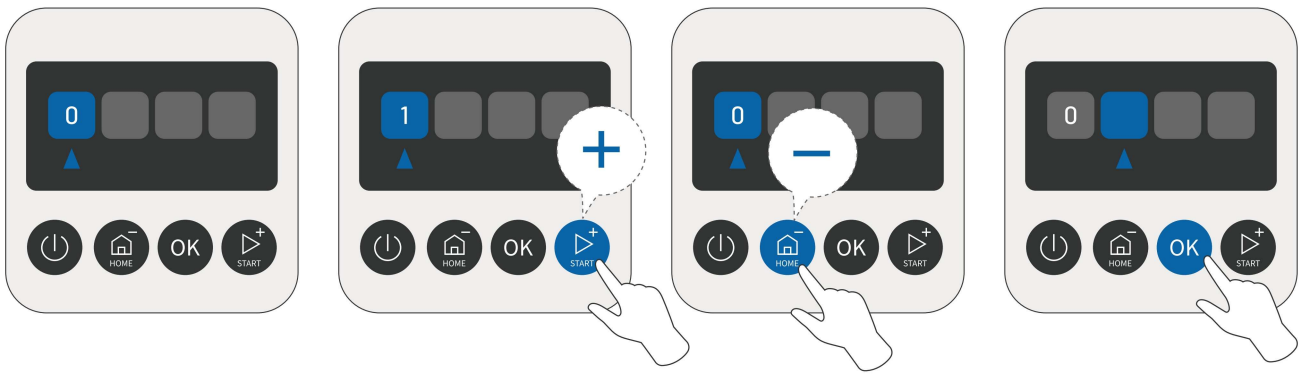
Create a PIN Code

Create a 4-digit security PIN code to protect your device:

1. Press "+" and "-" buttons to choose the first digit (0-9), then press "OK" to confirm.
2. Repeat this process for the next three digits.
3. Enter your 4-digit PIN again to confirm.

Security Tips:

- Avoid using simple codes such as "0000" or "1234".
- You can change your PIN anytime in the App Settings.
- If the two entries don't match, you'll be asked to re-enter your PIN.



Connect to the App

Connecting your mower to your home network unlocks full app functionality.

Preparation:

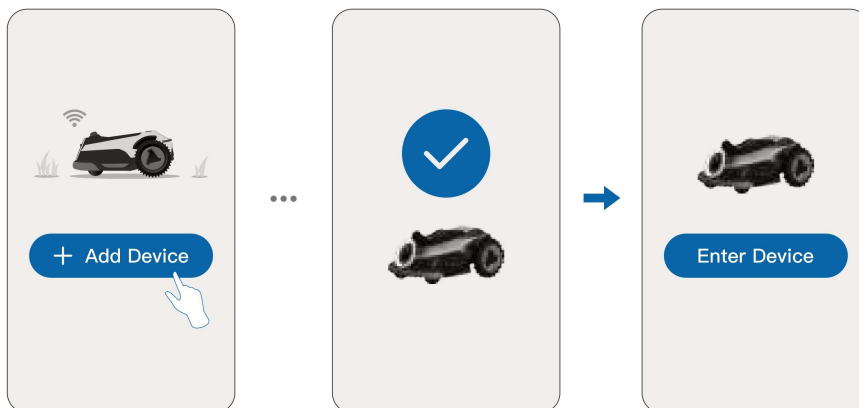
- Keep your phone within 10 meters of the mower
- Turn on Bluetooth on your phone
- Have your Wi-Fi name and password ready

Connection Steps

1. Scan the QR code below to download the Keenon App, or find it on the App Store / Google Play.



2. Open the APP and create your account.
3. Tap "Add New Device" on the main screen.
4. Choose your model from the list



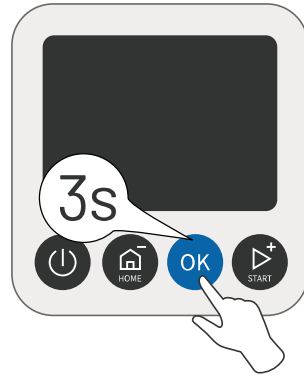
5. Follow the step-by-step instructions in the app to complete Wi-Fi setup.

Network Tips:

- Wi-Fi must support 2.4 GHz band (5 GHz not supported)
- Ensure network firewalls don't block device communication
- If pairing fails, temporarily disable special characters in your Wi-Fi password

Bluetooth Pairing

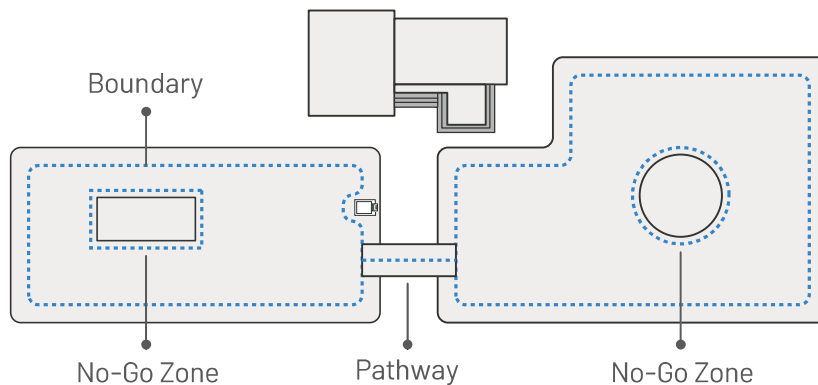
To pair via Bluetooth, press and hold "OK" for 3 seconds to enter pairing mode, then follow the app instructions to complete synchronization.



6. Map Your Garden

Plan the Work Area

Follow the instructions in the app and control the mower to create the work area (referred to as the map in the manual). The mower will intelligently decide its moving pattern within the map.



Before You Start, make sure the following are ready:

- Battery level is above 50%
- LiDAR protective cover has been removed
- Robot is properly docked in the charging base

