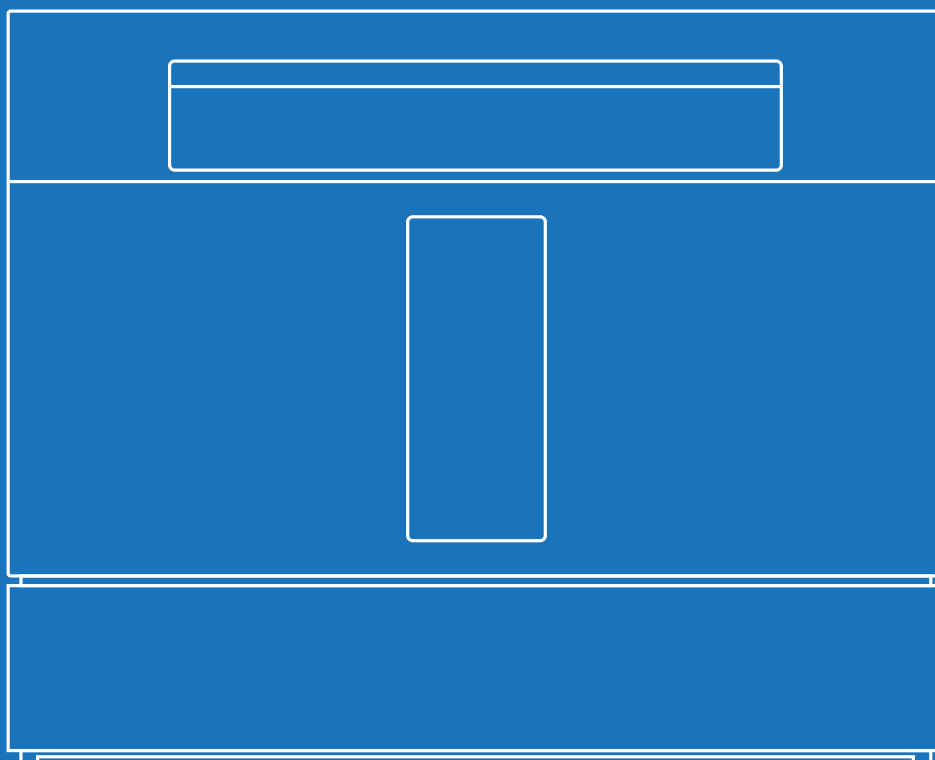


Countertop Dishwasher

home™
homelabs.com

HME010393N

Thank you for purchasing our appliance. Please be sure to read the entirety of this user manual carefully prior to use of the product. If you have any questions regarding the use of this product, please call 1-800-898-3002.



In the event this product malfunctions or customer believes it is defective, the customer should contact Customer Service at homelabs.com/chat, 1-(800)-898-3002 or help@homelabs.com and retain the defective product pending further instructions. Defective product should be clearly marked or stored where it cannot be used again by mistake. Failure to retain the product may impede hOme™'s ability to correct any legitimate problem and may limit the extent to which hOme™ may provide recourse.

TABLE OF CONTENTS

Important Safety Instructions	6
Installation	7-9
Parts Description	10
Operating Instructions	10-20
Cleaning and Maintenance	21-22
Troubleshooting	23-24
Specifications	25
Warranty	25
Manufacturing Info	26
Contact Us	26

Congratulations

on bringing home your new appliance!



Don't forget to register your product at homelabs.com/reg for updates, coupons, and other relevant information.

Although greatly appreciated, product registration is not required to activate any warranty.

SAVE THESE INSTRUCTIONS / HOUSEHOLD USE ONLY

WHEN USING YOUR COMPACT DISHWASHER, BASIC SAFETY PRECAUTIONS SHOULD BE FOLLOWED TO REDUCE THE RISK OF FIRE, ELECTRIC HAZARD, AND INJURY TO PERSONS, INCLUDING THE FOLLOWING:

GROUNDING INSTRUCTIONS

- This dishwasher must be grounded. In the event of a malfunction or breakdown, grounding will reduce the risk of electric shock by providing a path of least resistance for the electric current. This dishwasher is equipped with a cord with grounding conductor and a grounding plug.
- The plug must be plugged into an outlet that has been installed and grounded in accordance with all local codes and ordinances.
- Improper connection of the grounding conductor can result in a risk of electric shock.
- Check with a qualified electrician or service representative if you are unsure whether the dishwasher is properly grounded. Do not modify the plug provided with the dishwasher. If it does not fit the outlet, have a qualified electrician install a proper outlet.

WARNING! PROPER USE

- Do not misuse, sit on, or stand on the door or dish rack of the dishwasher.
- Do not operate your dishwasher unless all enclosure panels are properly in place. Open the door very carefully if the dishwasher is operating, as there is risk of water squirting out.
- Do not place any heavy objects on the door when it is open. The dishwasher could tip forward.
- When loading items to be washed:
 1. Locate sharp items so that they do not damage the door seal.
 2. **WARNING:** Knives and other utensils with sharp points must be loaded in the basket with their points down or placed in a horizontal position.
- When using your dishwasher, do not let plastic items come into contact with the heating element. (This is only applicable to machines with a visual heating element.)
- Check that the detergent receptacle is empty after each wash cycle.
- Do not wash plastic items unless they are marked dishwasher safe or equivalent. For plastic items not marked, check their manufacturer's recommendations.
- Only use detergent and rinse aids designed for an automatic dishwasher.
- The door should not be left in the open position as this could present a tripping hazard.
- If the supply cord is damaged, it must be replaced by the manufacturer, service agent, or a similarly qualified person in order to avoid a hazard.
- Remove the door to the washing compartment when removing an old dishwasher from service or discarding it.
- Dispose of packing materials properly.
- Only use the dishwasher for its intended function.
- During installation, the power cord must not be excessively or dangerously bent or flattened.
- Do not tamper with controls.
- The dishwasher should be connected to the water mains using new hose sets. Old hose sets should not be reused.
- The maximum number of place settings to be washed is 6.
- The maximum permissible inlet water pressure is 1Mpa.
- The minimum permissible inlet water pressure is 0.04Mpa.

CHILD WARNING:

- Children should be supervised to ensure that they do not play with the dishwasher.
- Keep children away from detergent, rinse aid, and the open door of the dishwasher, as there could be some detergent left inside.
- Never use soap, laundry detergent, or hand washing soap in your dishwasher. Keep these products out of reach of children.
- Dishwasher detergents are strongly alkaline, and can be extremely dangerous if swallowed. Avoid contact with skin and eyes and keep children away from the dishwasher when the door is open.
- This dishwasher is not intended for use by persons (including children) with reduced physical, sensory, or mental capabilities — or lack of experience and knowledge — unless they have been given supervision or instruction for use of the dishwasher by a person responsible for their safety. Do not operate your dishwasher unless all enclosure panels are properly in place. Do not open the door while the dishwasher is in use, as there is risk of water squirting out.

INSTALLATION

POSITIONING THE DISHWASHER

ATTENTION! All pipe and electrical equipment installation should be done by professionals.

WARNING! ELECTRICAL SHOCK HAZARD

Disconnect electrical power before installing dishwasher. Failure to do so can result in death or electrical shock.



Position your dishwasher in your desired location with its back resting against a wall and the sides adjacent to cabinets or walls. The dishwasher is equipped with water supply and drain hoses that can be positioned to the right or the left of it to facilitate proper installation. Position your dishwasher on counter top, do not place the unit on the ground or other position that much lower than counter top while using.

WARNING! For personal safety:

DO NOT USE AN EXTENSION CORD OR AN ADAPTER PLUG WITH THIS DISHWASHER.

DO NOT, UNDER ANY CIRCUMSTANCES, CUT OR REMOVE THE GROUNDING CONNECTION FROM THE POWER CORD.

THE POWER CONNECTION

Electrical Requirements

Please look at the rating label to understand the rating voltage and connect the dishwasher to the appropriate power supply. Use the required fuse 10 amp, time delay fuse, or circuit breaker recommended and provide a separate circuit for this dishwasher.

ENSURE PROPER GROUND EXISTS BEFORE USE

Electrical Connection

Ensure the voltage and frequency of the power outlet corresponds to those on the rating plate. Only insert the plug into an electrical socket that has been grounded properly. If the socket is not appropriate for the dishwasher, replace the socket. Do not use adapters, as they may cause overheating or burns.

GROUNDING INSTRUCTIONS



This dishwasher must be grounded. In the event of a malfunction or breakdown, grounding will reduce the risk of electrical shock by providing a path of least resistance for the electrical current. Your dishwasher is equipped with a cord with a grounding conductor and plug. The plug must be used in an outlet that is grounded in accordance with all local standards and requirements.

WARNING!

Improper connection of the grounding conductor can result in the risk of an electrical shock.

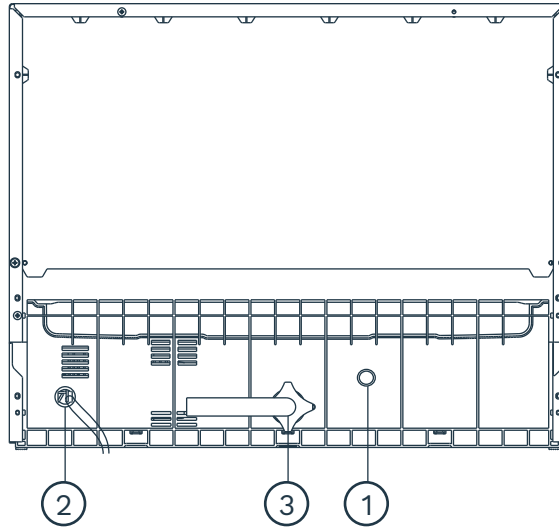
Check with a qualified electrician or service representative if you are unsure whether the dishwasher is properly grounded.

Do not modify your dishwasher's plug. If it does not fit properly in your outlet, have a qualified electrician install a different outlet.

WATER CONNECTION

Back of Dishwasher:

- 1. Drain Port
- 2. Power Cord
- 3. Inlet Port



Your dishwasher comes equipped with a 'quick connect' assembly that includes an inlet and drain hose. The faucet adapter must be installed on the faucet before you can connect the dishwasher. This adapter is included inside your dishwasher. The faucet adapter is compatible with either male (outside) or female (inside) threaded faucet connections.

Quick Connect Assembly

Drain Hose:

- 1. Drain port connector
- 2. Quick connect connector

Inlet Hose:

- 3. Inlet port connector
- 4. Quick connect connector

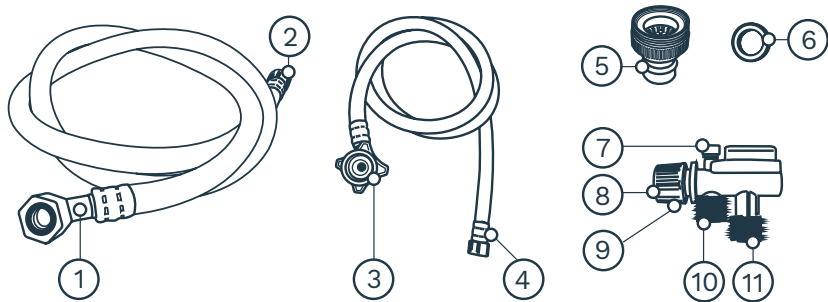
Faucet Adapter:

- 5. Faucet adapter
- 6. Faucet washer

Quick Connect:

- 7. Pressure relief valve
- 8. Faucet adapter connector
- 9. Locking collar
- 10. Inlet hose connector
- 11. Drain hose connector

Quick Connect Assembly



WARNING! To avoid water buildup in the inlet hose, close the faucet after use.



WATER CONNECTION

1. Screw the faucet adapter onto or into the faucet tap. Check for leaks. If there are any leaks, use Teflon tape to seal them. Faucet adapter has thread size of 55/64"-27 female or 15/16"-27 male threads, if the supplied faucet adapter is not fitting with your faucet, please find another adapter in local hardware store.
2. Connect the hexagonal connector of the drain hose to the drain port on the back of the dishwasher.
Do not over tighten to avoid damage to its threads.
3. Connect the star-shaped connector of the inlet hose to the inlet port on the back of the dishwasher.
Do not over tighten to avoid damage to its threads.
4. Connect the circular connector of the drain hose onto the longer (bottom) male connection on the quick connect.
5. Connect the circular connector of the inlet hose onto the shorter (top) male connection on the quick connect.
6. Attach the quick connect onto the faucet adapter, by pulling down the outer locking collar on the quick connect, while pushing the quick connect upward onto the faucet adapter.
7. When the quick connect snaps onto the faucet adapter, release the locking collar. Check that the connection is secure.
8. Slowly open the hot water line and check for any sign of water leaks at all hose connections. If leaks are located, immediately close the water supply and repair the hose connections.

IMPORTANT

1. Once the water supply line is opened, the inlet hose will be pressurized, even if the water supply line is immediately closed.
2. To relieve water pressure from inside the inlet hose, make sure the water line faucet is closed. Then, press and hold the red pressure relief button on the quick connect until water stops flowing.

WARNING! FAILURE TO RELIEVE WATER PRESSURE BEFORE DISCONNECTING THE QUICK-CONNECT FROM THE FAUCET, WILL RESULT IN BACK-PRESSURE OVER-SPRAY. THE TEMPERATURE OF INCOMING WATER CAN BE VERY HOT, AND BACK-PRESSURE OVER-SPRAY COULD CAUSE SEVERE BURNS AND/OR SCALDING.

DANGER! DO NOT LET CHILDREN DISCONNECT THE DISHWASHER; CLOSE SUPERVISION OF CHILDREN IS ALWAYS IMPORTANT AROUND DISHWASHERS.

NOTE: Hard water conditions will negatively affect the performance of your dishwasher. Hard water conditions will also contribute to lime desposits (white film substance) and/or scaling on the stainless steel surface of the dishwasher and heating element, located in the sump underneath the removable filter screen. To minimize this, operate/rinse the inside of the dishwasher once a week while it is empty, using 1 cup of white vinegar.

How to Disconnect the Dishwasher

1. Shut off the water supply at the faucet.
2. Disconnect the power supply cord.

How to Start the Dishwasher

The following things should be checked before starting the dishwasher.

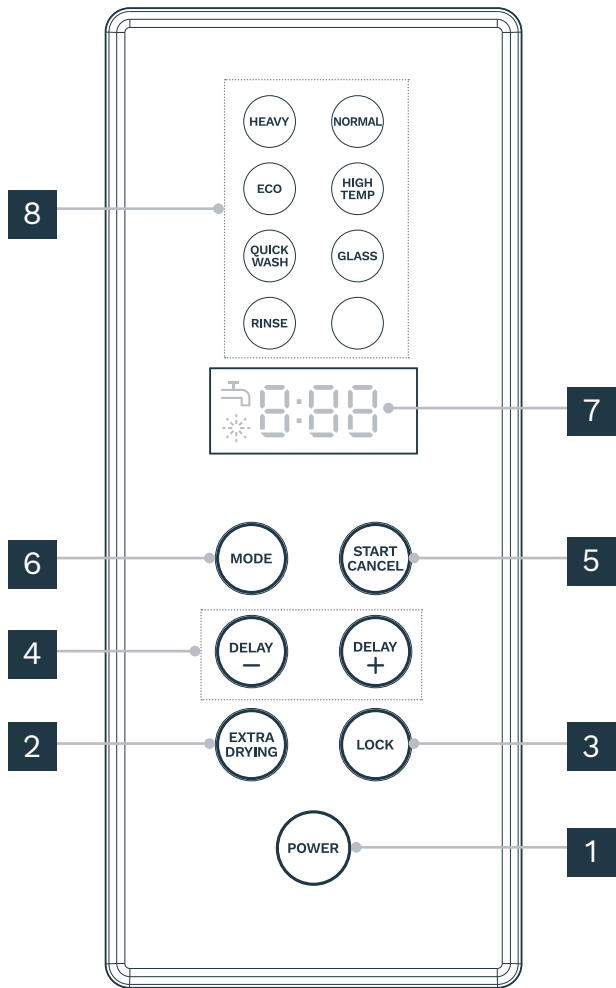
1. The dishwasher is level and fixed properly.
2. The inlet valve is open.
3. There is no leakage at the conductor connections.
4. The wires are tightly connected.
5. The power is switched on.
6. The inlet and drain hoses are knotted.
7. All packing materials and printings are taken out from the dishwasher.

ATTENTION: The content of this manual can be very helpful to the users. After installation, please make sure to keep this manual.

GETTING TO KNOW YOUR DISHWASHER

IMPORTANT: to get the best performance from your dishwasher, read all operating instructions for the dishwasher prior to first use.

CONTROL PANEL



Control Buttons

- 1. Power:** Turn on or turn off the dishwasher.
- 2. Extra drying:** For better drying results. This setting can only be used with Heavy, Normal, ECO, High Temp, Glass.
- 3. Lock:** Press and hold for 3 seconds to lock or unlock the control panel. Only Power button remains active when the control panel is locked.
- 4. Delay+ /Delay-:** Use to set a delayed start. Press the Delay+ button to increase the delay time and press the Delay- Button to decrease the delay time. The maximum delayed start possible is 24 hours.
- 5. Start/Cancel:** Press to start the selected washing program or cancel it when the dishwasher is working.
- 6. Mode:** Press to select the appropriate washing program.

Display

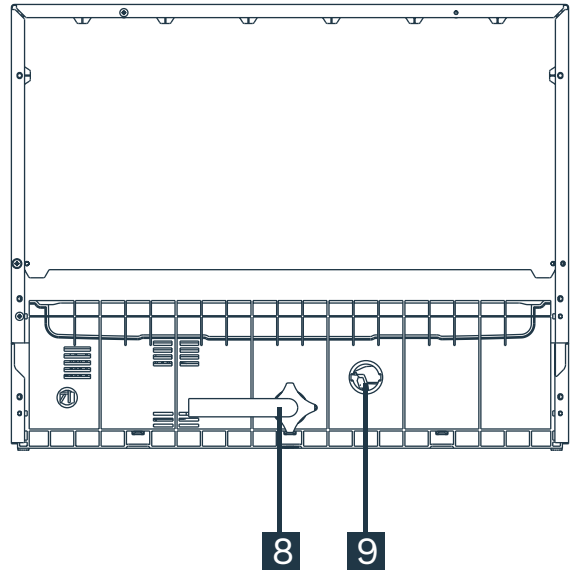
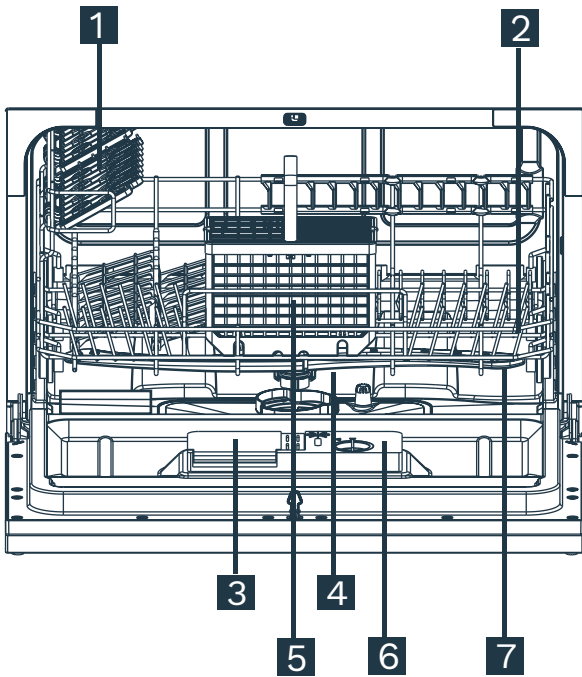
- 7. Screen:**
 - Rinse aid shortage. Refill the rinse aid.
 - No water flows into dishwasher. Check the water supply.
 - To show the selected program temperature, reminding time, delay time, and error codes etc.

8. Program indicators:

- Heavy** For heavily soiled crockery and normally soiled pots, pans, or dishes etc. with dried-on food.
- Normal** For normally soiled loads such as pots, plates, glasses, and lightly soiled pans.
- ECO** For lightly soiled loads, such as glasses, crystal and fine china.
- High Temp** Recommend for washing baby bottles.
- Quick Wash** A shorter wash for lightly soiled loads that not need drying.
- Glass** For lightly soiled crockery and glass.
- Rinse** For rinsing dishes, glasses and silverware that will not be washed right away.



DISHWASHER FEATURES



- 1. Cup Shelf
- 2. Basket
- 3. Detergent Dispenser

- 4. Filter
- 5. Cutlery Basket
- 6. Rinse Aid Dispenser

- 7. Spray Arms
- 8. Inlet Pipe Connector
- 9. Drain Pipe Connector

IMPORTANT: If the display shows E4 and/or water leaks from the base of the dishwasher, unplug the power, tilt the product at a slight angle to drain the water, and then remove and clean the filter.



HOW TO USE THE RINSE AID DISPENSER

What is the Rinse Aid Dispenser?

The rinse aid dispenser holds and releases a special liquid during your dishwasher’s final rinse cycle to help dishes dry quickly and without any streaks. You can find the rinse aid dispenser inside your dishwasher next to the detergent dispenser.

How to Fill the Rinse Aid Dispenser

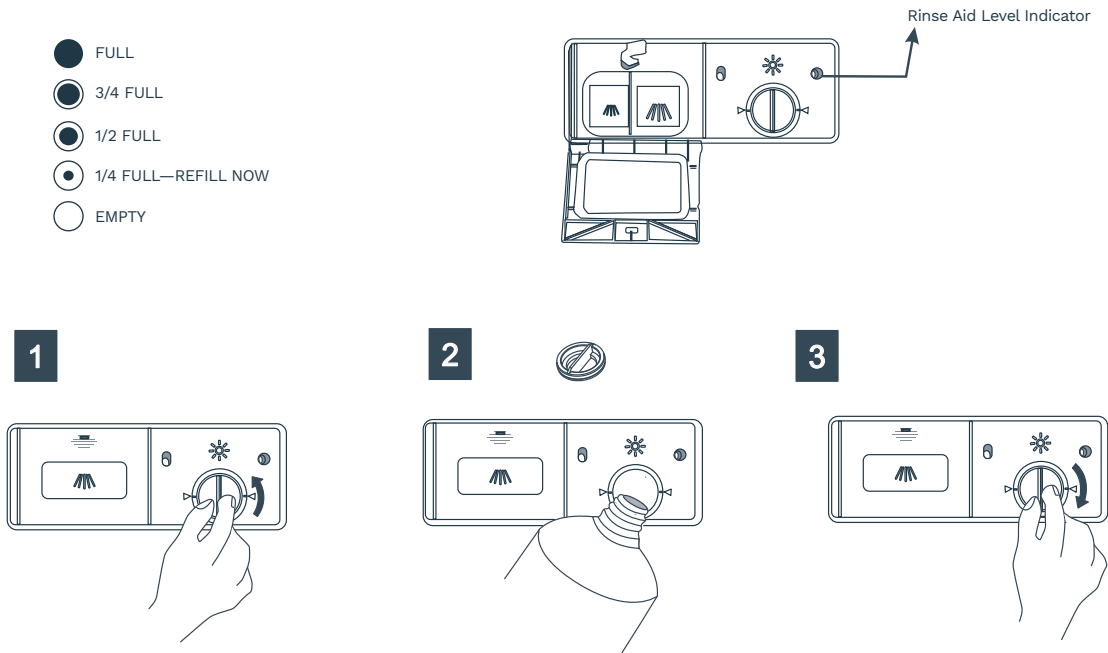
1. Locate the dispenser on the inside door of your dishwasher.
2. Open the cap.
3. Pour liquid rinse aid into the dispenser until the level indicator turns completely black, around 3.7 fluid ounces.

WARNING: Only use branded rinse aid for the dishwasher. Never fill the rinse aid dispenser with any other substances, not even a cleaning agent or detergent. This will damage your dishwasher.

When to Refill the Rinse Aid Dispenser

The rinse aid indicator light will turn on to remind you of refilling the dispenser. You can also check on the level of rinse aid by using the rinse aid indicator located next to the dispenser’s cap. When the dispenser is full, the indicator will show a completely dark dot. As the rinse aid level decreases, the dot will shrink, as illustrated below.

WARNING: DO NOT LET THE RINSE AID LEVEL GO BELOW 1/4 FULL.



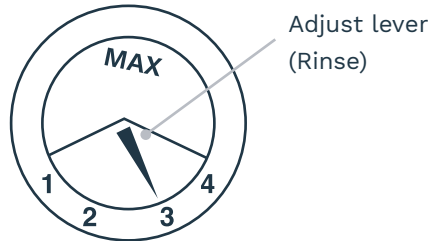
1. To open the dispenser, turn the cap towards the left, aligning it with the arrow on the left side. Lift it up.
2. Pour rinse aid into the dispenser, be careful not to overfill.
3. To close the dispenser, realign the cap with the left arrow and place on the dispenser. Turn towards the right until it lines up with the arrow on the right side.



ADJUSTING THE RINSE AID DISPENSER

NOTE:

Increase the level if there are water droplets or lime spots on your dishes after a wash cycle. Reduce it if there are white spots on your dishes, or a blue film on glassware and cutlery.



HOW TO USE DETERGENT

Why is Detergent Important?

Detergent is necessary to clean your dishes. It's important to only use detergent specifically made for dishwashers. Store the detergent in a dry place, and only put it in the dispenser when you're ready to wash dishes.

What Type of Detergent Can I Use?

You can use three types of detergents:

1. Those with phosphate and chlorine
2. Those with phosphate and without chlorine
3. Those without phosphate or chlorine

Note that detergents with chlorine can remove some stains when used with a high temperature program.

Can I Use Concentrated Detergent?

Yes. Concentrated detergents, or those that contain natural enzymes and are low in alkalinity, are gentler on your dishes and the environment. You can achieve the same cleaning results with these types of detergents on a "normal" wash cycle as you can with conventional detergents on a "heavy" wash cycle. This is because the water facilitates the dirt-dissolving properties of the enzymes in concentrated detergents.

Can I Use Detergent Tablets?

Yes, but different tablet brands dissolve at different speeds. For this reason, select long wash programs to ensure that the tablets have fully dissolved and reached their full cleaning potential.

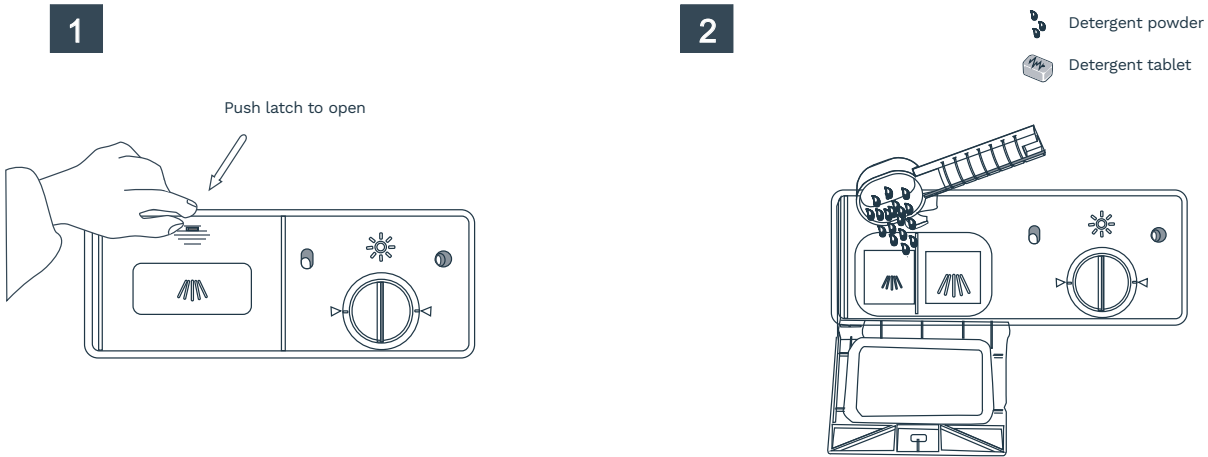


HOW TO USE DETERGENT DISPENSER

How Do I Use the Detergent Dispenser?

Refill the dispenser before the start of each wash cycle, following the instructions provided in the Wash Cycle Table. Your dishwasher uses less detergent than a conventional dishwasher, so you generally only need one tablespoon of detergent for a normal load. Note that dirtier dishes will need more detergent. Always add the detergent just before starting the dishwasher. Otherwise, the detergent could get damp before use and not dissolve properly.

How Do I Fill the Detergent Dispenser?



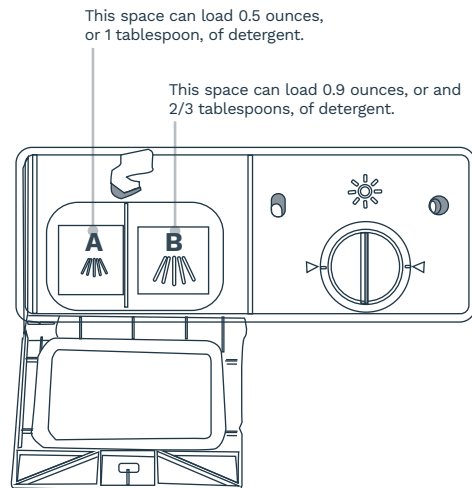
NOTE: Only use branded detergent for this dishwasher.

WARNING: Dishwasher detergent is corrosive! Keep out of reach of children.

The markings indicate detergent levels and dosing levels (as illustrated on the right).

- Fill the detergent dispenser with detergent. Please observe the manufacturer's dosing and storage recommendations as stated on your detergent packaging.
- Close the lid and press down until it locks into place.

If the dishes are heavily soiled, place an additional detergent dose in the pre-wash chamber for pre-wash phase of your wash cycle.



NOTE:

- You can find information on detergent amounts on page 18 of this manual.
- Please be aware that you may experience different results due to water properties and the dirtiness of your dishes.



HOW TO LOAD THE DISHWASHER BASKETS

Recommendations

- Buy dishwasher-proof utensils.
- Use a mild detergent. If necessary, check your detergent manufacturer to make sure it is safe for all dishware.
- For delicate items, choose a low temperature program.
- To prevent damage, do not take glass and cutlery out of the dishwasher immediately after the program has ended.

What Can I Put in the Dishwasher?

NEVER	SOMETIMES
<ul style="list-style-type: none">• Cutlery with wooden, horn china, or mother of pearl handles• Older cutlery with glued parts that are not heat resistant• Cutlery or dishes bonded with glue• Pewter or copper items• Crystal• Steel items that can rust• Wooden platters• Items made from synthetic fibers	<ul style="list-style-type: none">• Glasses — certain types can become dull after many washes• Silver and aluminium items — these can discolor during washing• Glazed or painted item — colors and patterns may fade after frequent washing

How Do I Load the Dishwasher Baskets?

For best performance, follow these loading guidelines.

Features and appearance of shelves and cutlery baskets may vary from your model.

Scrape off any large amounts of leftover food. Soften any burnt food left in pans. It is not necessary to rinse the dishes under running water.

Place objects into the dishwasher in the following way:

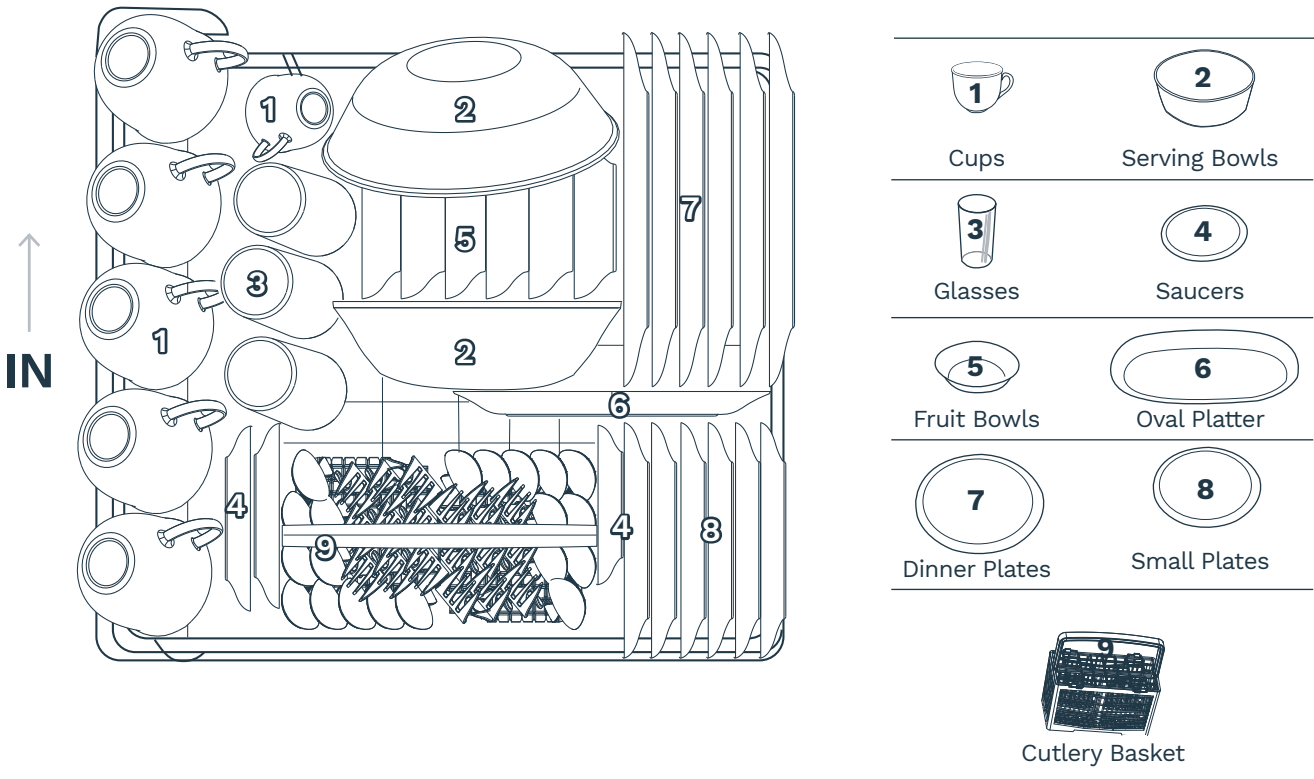
1. Items such as cups, glasses, pots, pans, etc. go face down.
2. Curved items should be loaded at a slant so water can run off of them.
3. Utensils should be stacked securely so they cannot tip over.
4. Utensils should be placed away from spray arms so they can rotate freely during washing.

NOTE: Do not place small items that may fall out of the basket into the dishwasher.



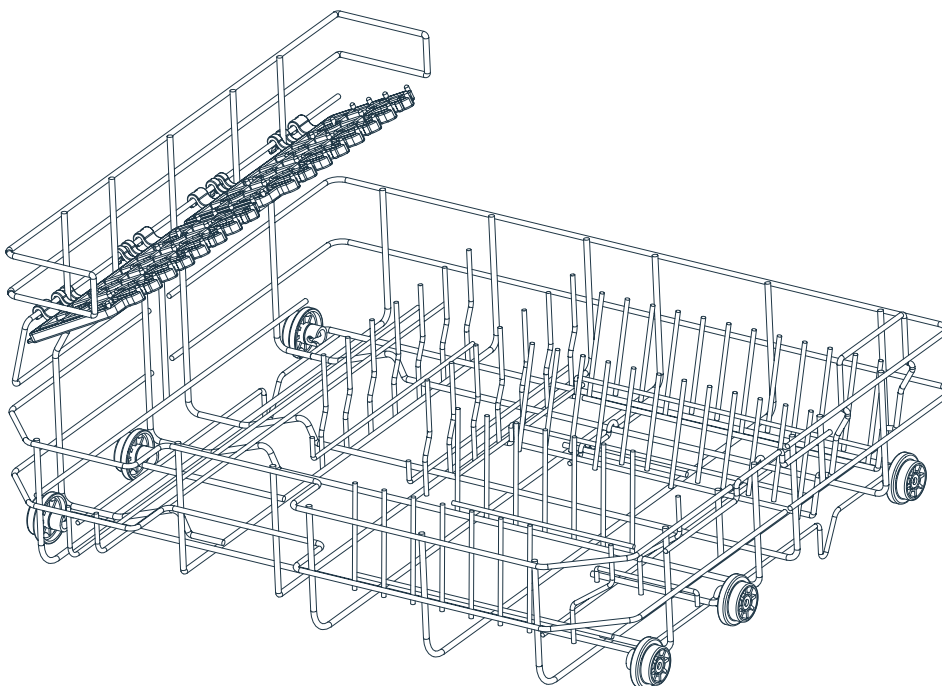
HOW TO LOAD THE DISHWASHER BASKETS

Position the dishes and cookware so that they will not be moved by the spray of water.



Basket Plate Racks

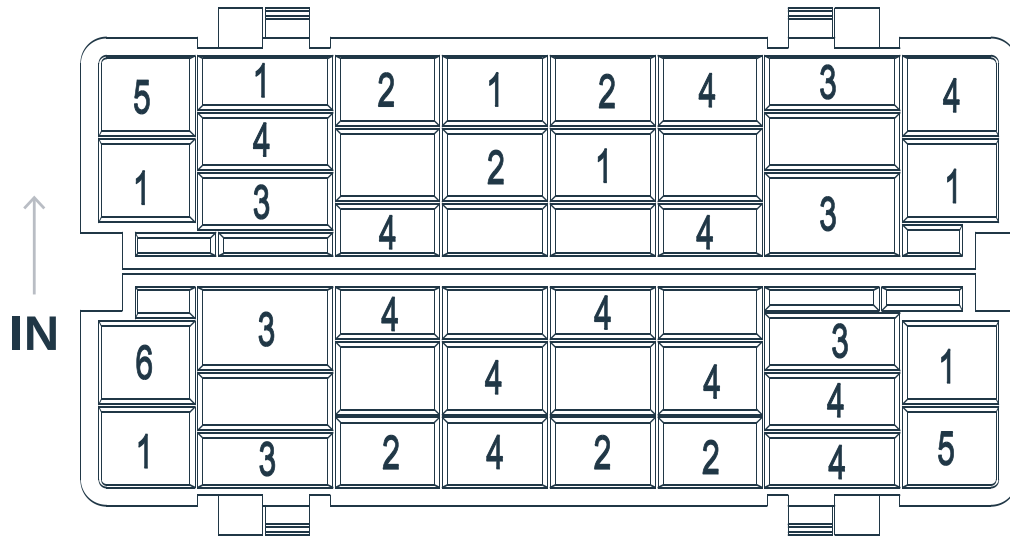
The basket is fitted with plate racks that can be stowed horizontally if required.









HOW TO LOAD THE DISHWASHER BASKETS

How Do I Load the Cutlery Basket?

Cutlery should be placed in the basket with their handles facing downward towards the bottom. If there are side baskets, use them to load spoons individually into the appropriate slots. It's important that long utensils are placed horizontally at the front of the basket.



- _____
- 1 Dinner forks 
- _____
- 2 Salad forks 
- _____
- 3 Knives 
- _____
- 4 Teaspoons 
- _____
- 5 Serving spoons 
- _____
- 6 Serving forks 
- _____



WARNING: Do not let any item extend through bottom. Always load sharp utensils with the sharp point down!

For safety purposes and best performance, place cutlery in the basket so that:

- They do not nest together.
- Their handles face downwards.
- Sharp points and blades are facing downwards.



OPERATING INSTRUCTIONS

HOW TO SELECT A WASH CYCLE

NOTE: (★) THIS MEANS YOU NEED TO FILL THE RINSE AID DISPENSER.
 (▲) THIS IS THE TEST CYCLE. THE RINSE AID DISPENSER LEVEL IS RECOMMENDED AT “3.”

WASH CYCLE TABLE							
Program	Cycle Selection Information	Description of Cycle	Detergent Pre-wash/Wash	Running time (min)	Energy (KWH)	Water (l)	Rinse Aid
Heavy	For the dirtiest dishes, such as pots, pans, casserole dishes or anything that has had food sitting on it for a while.	Pre-wash Pre-wash 131°F (55°C) Wash 140°F (60°C) Rinse Rinse Rinse 154°F (68°C) Drying	1 1/3 tablespoon (18g)	100	0.49	12.5	★
Normal	For regular dishes used on a daily basis, such as pots, plates, glasses, and lightly used pans.	Pre-wash Pre-wash Wash 126°F (52°C) Rinse Rinse 149°F (65°C) Drying	1 1/3 tablespoon (18g)	110	0.36	10.8	★ ▲
ECO	For slightly dirty dishes, such as glasses, crystal and fine china.	Pre-Wash Pre-Wash 122°F (50°C) Wash 122°F (50°C) Rinse Rinse 140°F (60C) Drying	1 1/3 tablespoon (18g)	75	0.27	10	★
High Temp	For washing baby bottles.	Pre-Wash Pre-Wash 122°F (50°C) Wash 131°F (55°C) Rinse Rinse Rinse 158°F (70°C) Drying	1 1/3 tablespoon (18g)	90	0.51	12.5	★
Glass	For lightly used dishware and glasses.	Pre-Wash Wash 122°F (50°C) Rinse Rinse 140°F (60°C) Drying	1 tablespoon (15g)	70	0.28	8.5	★
Quick Wash	For lightly used dishes that do not need drying.	Pre-wash Pre-wash 122°F (50°C) Wash 131°F (55°C) Rinse 131°F (55°C) Rinse 140°F (60°C)	1 tablespoon (15g)	45	0.31	10.5	
Rinse	For rinsing dishes, glasses, or cutlery that do not need washing.	Wash Rinse Rinse 131°F (55°C)	/	24	0.03	4.3	

How Do I Turn on the Dishwasher?

To start the wash cycle:

1. Load the basket. See “How Do I Load the Dishwasher” section for instructions.
2. Load detergent. See “How to Use Detergent” for instructions.
3. Plug in the dishwasher. The power supply is 120V/60Hz.
4. Check that the water supply is turned on to full pressure.
5. Push the basket in and close the dishwasher door. Press the Power button to turn on the unit.
6. Press the Mode button to select your wash cycle. Refer to the above wash cycle table for details.
7. Press the start/pause button to start the cycle.

NOTE: To pause the dishwasher while washing, press the start/pause button. The dishwasher will pause and the program light is steady. It will remain like this until you start it again.



HOW TO SELECT A WASH PROGRAM

How Do I Change the Wash Program?

You can change your wash cycle only if it has been running for a short time and the detergent has not yet been dispensed. If the detergent has already been dispensed, you will need to refill the dispenser again. See "How to Use Detergent" section for detailed instructions.

To change the wash program, hold Start/Cancel button over three seconds. The machine will enter standby mode where you can then change the setting. Press Mode button to select the new program. See "How to Select a Wash Cycle" section for detailed information.

The lights will show the state of the dishwasher:

- | | |
|--|----------|
| a) All phase lights off | Stand by |
| b) Display light steady (not blinking) | Paused |
| c) Display light blinking | Running |

What Do I Do After the End of the Cycle?

When the cycle is finished, the buzzer will sound for eight seconds before shutting off. Press the power button to turn off the dishwasher. Shut off the water supply and open the door. Wait a few minutes before handling your dishes to allow them to dry and become less susceptible to damage. The dishwasher goes into standby mode, if there is no actions are made, the dishwasher will turn off automatically after 30 minutes.

How to Turn off the Dishwasher

The program has ended when all of the phase lights are off. Then:

1. Press the power button to turn off the dishwasher.
2. Turn off your water tap.

Note: Open the Door Carefully

Hot dishware is sensitive and can break easily. Allow to cool for at least 15 minutes before removing from the dishwasher to prevent damage.

To do this, open the dishwasher door and leave it ajar for a few minutes. This will allow your dishware to cool and dry.

How to Unload the Dishwasher

Note that it is normal for the dishwasher to be wet inside.

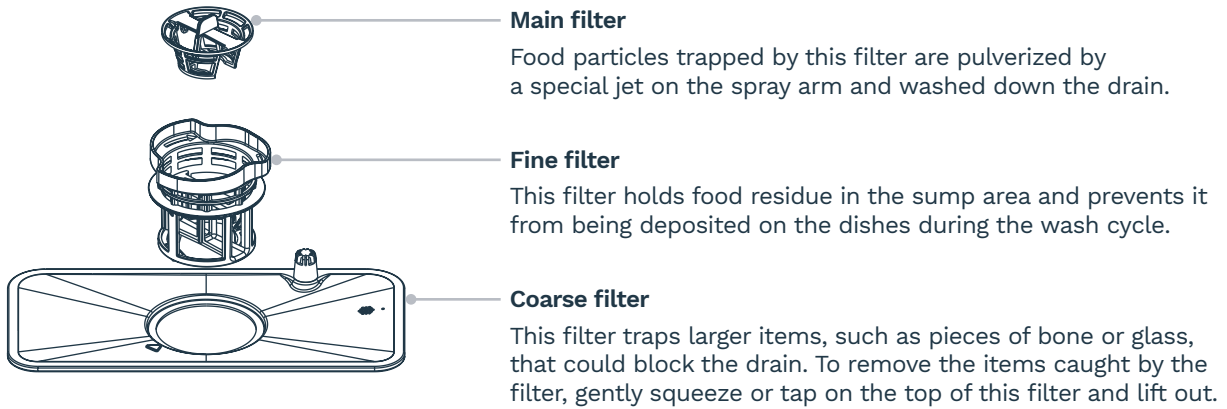
WARNING! It is dangerous to open the door when washing, because hot water may scald you.



FILTERING SYSTEM INSTRUCTIONS

How Does the Filtering System Work?

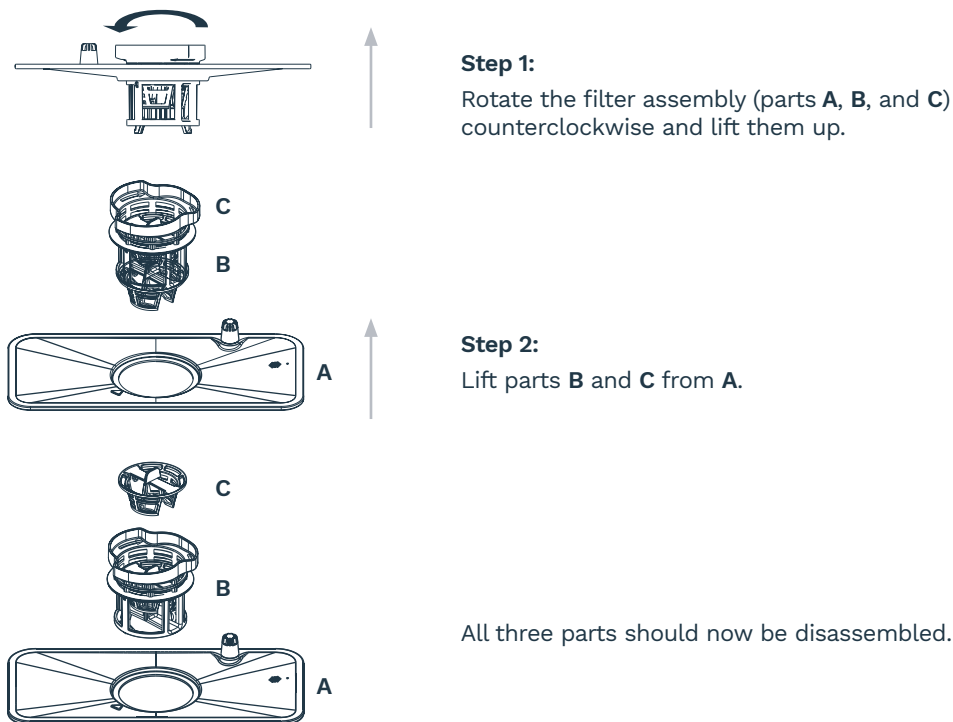
The filter prevents larger remnants of food and other objects from getting inside the pump.



WARNING! Never run the dishwasher without the filters in place. Improper placement of the filter may reduce the performance level of the dishwasher and damage dishes and utensils.

How to Assemble the Filter

The filter efficiently removes food particles so that the water can be recycled during the wash cycle. For best performance, regularly check the filters. Remove larger food items trapped in the filter after each wash cycle by rinsing the filter under running water. To remove the filter assembly, pull upwards by holding the handle of the filter assembly.



All three parts should now be disassembled.

NOTE: To reinstall the filter system, place all three parts back together, rotate clockwise and push downwards.



CLEANING THE FILTERING SYSTEM

IMPORTANT: Keeping your dishwasher filter clean is key to keeping your dishes clean. Make sure the filter is clean EVERY TIME before you using the dishwasher. Cleaning the filter helps prevent buildup and clogs and ensures your dishwasher run smoothly.

- Inspect the filters for blockage after each wash cycle.
- To remove blockages, unscrew the coarse filter to remove the filter system. Remove any food and clean the filters under running water.
- Clean the entire filter assembly once a week.
- Use a cleaning brush to clean the coarse and fine filter.

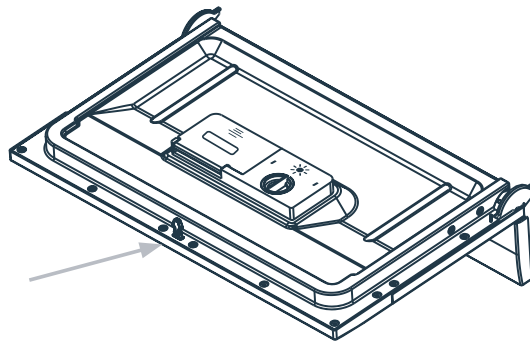
WARNING! When cleaning the filters, do not knock them against surfaces. This can contort the filters and affect the performance of your dishwasher.

CARING FOR THE DISHWASHER

- Use a lightly dampened cloth to clean the control panel. Dry thoroughly.
- Use a dishwasher polish wax on the exterior.
- Never use sharp objects, scouring pads, or harsh cleaners on any part of the dishwasher.

How to Clean the Door

Use a soft, warm, damp cloth to clean the edge around the door. Do not use a spray cleaner of any kind to avoid getting liquid on the door lock and electrical components.



WARNING! Do not use abrasive cleaning agents or rough paper towels to avoid scratching or marring the stainless steel surface.

How to Protect Against Freezing

Please take frost protection measures on dishwasher during cold weather seasons. After each wash cycle, do the following:

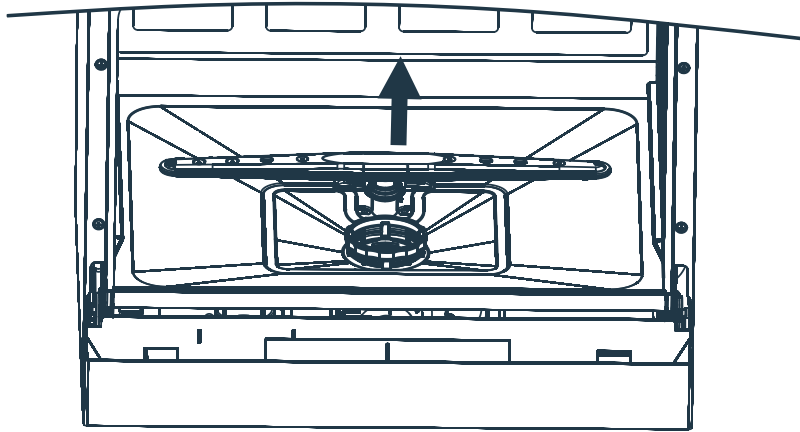
1. Turn off the power to the dishwasher.
2. Turn off the water supply and disconnect the water inlet pipe from the water valve.
3. Drain water from the inlet pipe and the water valve. Use a pan to catch the water.
4. Reconnect the water inlet pipe to the water valve.
5. Remove the filter at the bottom of the tub and use a sponge to soak up the water in the sump.

NOTE: If your dishwasher cannot work due to freezing, please contact customer service at 1-800-898-3002

CARING FOR THE DISHWASHER

How Do I Clean the Spray Arms?

The spray arms can be easily removed for periodic cleaning to prevent possible clogging. To remove the spray arms, pull the middle of the arms upwards. Wash the spray arms under running water and carefully replace them in the dishwasher. Double check that they rotate properly after cleaning.



HOW TO MAINTAIN YOUR DISHWASHER

Turn Off Water

After every wash, turn off the water supply and leave the door slightly open so that moisture and odors are not trapped inside the dishwasher.

Store Properly

Before storing the dishwasher, we recommend that you run a wash cycle while the dishwasher is empty. Then, remove the plug, turn off the water supply and open the door slightly. This will help maintain the quality of the door seal and prevent odors from forming in the dishwasher.

Unplug the Dishwasher

Always unplug your dishwasher from the socket before cleaning or performing maintenance checks.

Keep in a Vertical Position

If you need to move the dishwasher, try to keep it in a vertical position during moving.

Do Not Use Abrasive Cleaners

Do not use abrasive cleaning products on the exterior and rubber parts of the dishwasher. Instead, use a cloth with warm water and soap. To remove stains from the interior surface, use a cloth with vinegar, or a cleaning product specially designed for dishwashers.

Clean the Seal

Odors may form in the dishwasher if food becomes trapped in the seals. To prevent this, periodically clean the seals with a damp sponge.

TROUBLESHOOTING

Review the following troubleshooting procedures before contacting the customer service.

	PROBLEM	CAUSES	SOLUTIONS
TECHNICAL PROBLEMS	Dishwasher doesn't start	Fuse blown, or circuit breaker tripped	Replace fuse or reset circuit breaker. Remove any other appliances sharing the same circuit with the dishwasher.
		Power supply is not turned on	Make sure the dishwasher is turned on and the door is closed securely. Make sure the power cord is properly plugged into the wall socket.
		Door of dishwasher is not properly closed	Close the dishwasher door making sure that door latches.
	The display shows E4 and / or water leaking from base. This means water is not being pumped from the dishwasher properly.	Kink in the drain hose	Check the drain hose.
		Filter is clogged	1. Unplug the power. 2. Carefully tilt the product at a slight angle to drain any excess water onto a towel or drainage area. 3. Check the coarse filter. (See section titled "Cleaning The Filter")
		Kitchen sink is clogged	Check your kitchen sink to make sure it is draining well. If the kitchen sink is not draining, contact a plumber rather than a serviceman for this dishwasher.
GENERAL PROBLEMS	Suds in the tub and / or the display shows E4, water leaking from base	Improper detergent used	Only use special dishwasher detergent to avoid suds. If suds do occur, open the dishwasher and let suds evaporate. Add 1 gallon of cold water to the tub. Close and latch the dishwasher, then start the soak wash cycle to drain out the water. Repeat if necessary.
		Spilled rinse aid	Always wipe up rinse-aid spills immediately.
	Stained tub interior	Detergent with colorant was used	Make sure that the detergent does not have colorant.
	White film on inside surface	Hard minerals in water	To clean the interior, use a damp sponge with dishwasher detergent, wearing rubber gloves. Never use any cleaner other than dishwasher detergent, as there is risk of foaming or suds.
	There are rust stains on cutlery	The affected items are not corrosion resistant	
NOISE	Knocking noise in the wash cabinet	The spray arm is knocking against an item in a basket	Interrupt the program and rearrange items obstructing the spray arm.
		Item of dishware are insecure in the wash cabinet.	Interrupt the program, and rearrange items to make them more secure.
	Knocking noise in the water pipes	May be caused by on-site installation or the cross-section of the piping	This has no influence on dishwasher function. If unsure, contact a qualified plumber.

TROUBLESHOOTING

PROBLEM	CAUSES	SOLUTIONS
The dishes are not clean	The dishes were not loaded correctly	Refer to the section on how to load the dishwasher.
	The program was not powerful enough	Select a more intensive program. See "Wash Cycle Table".
	Not enough detergent was dispensed	Use more detergent, or change your detergent.
	Item are blocking the path of spray arms	Rearrange the items so that the spray can rotate freely.
Cloudiness on glassware	The filter combination in the base of wash cabinet is not clean or is not correctly fitted	Clean and/or fit the filter assembly correctly. Clean the spray arm jets. See "Cleaning the Spray Arms".
	Combination of soft water and too much detergent	Use less detergent if you have soft water and select a shortest cycle to wash the glassware and to get them clean.
UNSATISFACTORY WASHING RESULT		
Black or gray marks on dishes	Aluminum utensils rubbed against dishes	Use a mild abrasive cleaner to eliminate any marks.
Detergent left in dispenser cups	Dishes block detergent cups	Reload the dishes properly.
The dishes are not drying	Improper loading	Load the dishwasher as suggested in the directions.
	Too little rinse-aid	Increase the amount of rinse-aid and/or refill the rinse-aid dispenser.
	Dishes are removed too soon	Do not empty your dishwasher immediately after washing. Open the door slightly so that the steam can escape. Begin unloading the dishwasher once the dishes are barely warm to the touch. Empty the low basket first to prevent water from dripping off dishes in the upper basket.
	Wrong program selected	Short programs run at a lower temperature, which may lower cleaning performance. Choose a program with a long washing time.
	Cutlery has low-quality coating	Water drainage is more difficult with these types of items. These types of cutlery and dishware are not suitable for washing in the dishwasher.

ERROR CODES:	CODE	MEANING	POSSIBLE CAUSES
	E1	Longer inlet time	Faucets are not opened, water intake is restricted, or water pressure is too low.
	E4	Overflow	Some part of the dishwasher is leaking.
	E4	Water is not being pumped from the dishwasher properly.	Check Troubleshooting.

WARNING! If overflow occurs, turn off the main water supply before calling hOme Customer Service. If there is water in the base pan because of an overflow or small leak, the water should be removed before restarting the dishwasher.

SPECIFICATIONS

Height:	17.2" (438 mm)
Width:	21.6" (550 mm)
Depth:	20.3" (515 mm)
Water Pressure:	6–145 PSI (0.04–1.0 MPa)
Hot Water Connection:	120°F (49°C)
Power Supply:	120 V/60 Hz

WARRANTY

hOme™ offers a limited one-year warranty (“warranty period”) on all of our products purchased new and unused from hOme Technologies, LLC or an authorized reseller, with an original proof of purchase and where a defect has arisen, wholly or substantially, as a result of faulty manufacturing, parts or workmanship during one-year warranty period. The warranty does not apply where damage is caused by other factors, including but without limitation: (a) normal wear and tear; (b) abuse, mishandling, accident, or failure to follow operating instructions; (c) exposure to liquid or infiltration of foreign particles; (d) servicing or modifications of the product other than by hOme™; (e) commercial or non-household use.

The hOme™ warranty covers all costs related to restoring the proven defective product through repair or replacement of any defective part and necessary labor so that it conforms to its original specifications.

A receipt indicating the purchase date is required for any claim, so please keep all receipts in a safe place. We recommend that you register your product on our website, homelabs.com/reg. Although greatly appreciated, the product registration is not required to activate any warranty and product registration does not eliminate the need for the original proof of purchase.

The warranty becomes void if attempts at repair are made by non-authorized third parties and/or if spare parts, other than those provided by hOme™, are used.

You may also arrange for service after the warranty expires at an additional cost.

These are our general terms for warranty service, but we always urge our customers to reach out to us with any issue, regardless of warranty terms. If you have an issue with a hOme™ product, please contact us at 1-800-898-3002, and we will do our best to resolve it for you.

This warranty gives you specific legal rights, and you may have other legal rights which vary from state to state, country to country or province to province. The customer may assert any such rights at their sole discretion.

MANUFACTURING INFO

This manual is to be used with all items with the model number


HME010393N

SKU# : HME010393N

WARNING

Keep all plastic bags away from children.

CONTACT US

 CHAT WITH US

homelabs.com/chat

 CALL US

1-(800)-898-3002

 EMAIL US

help@homelabs.com



**For Household
Use Only**

1-800-898-3002
help@homelabs.com
homelabs.com/help

© 2020 hOme Technologies, LLC
37 East 18 Street, 7th Floor
New York, NY 10003

All rights reserved. hOme™. Printed in China.

