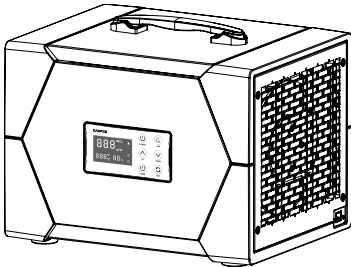


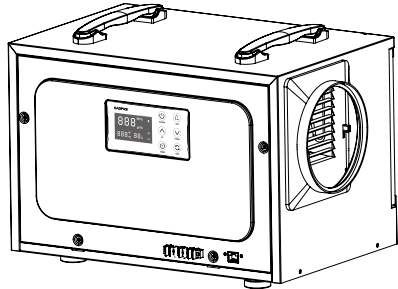


CADPXS Remois X Series

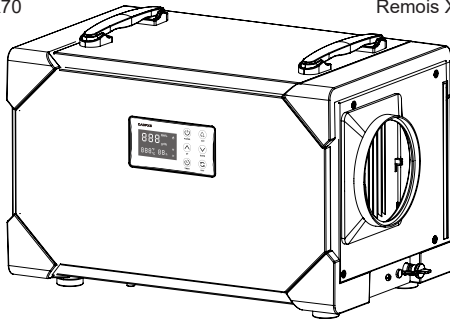
Installation and Operation Manual



Remois X70



Remois X125



Remois X145



READ AND SAVE THESE INSTRUCTIONS

Add: 2550 N LOOP FWY #108 HOUSTON TX 77092

Tel: (888) 503-0618

E-mail: support@cadpxs.com

Specifications subject to change without notice.

TABLE OF CONTENTS

Important Notes	1
Warranty Registration	1
Power Supply	1
Working Principle	2
Installation Requirements	2
Button Functions	3
Function Description	5
Maintenance	11
Energy Saving Tips	13
Optional Remote Controller.....	13
A1-A6 Functions	14
Function Description	16
Limited Warranty	17
Limited Warranty Exclusions	17
Circuit Diagram	18

IMPORTANT NOTES

1. Always connect the dehumidifier to a grounded power supply (required for all electrical appliances). Failure to use a grounded power supply will void the warranty.
2. Repairs should only be performed by qualified technicians.
3. If flooding occurs, ensure the dehumidifier is thoroughly dried before reconnecting to power.
4. Do not insert objects or fingers into air intake or exhaust vents.
5. Do not clean the unit with water. Unplug it and use a damp cloth to clean the exterior.
6. Do not stand on or place objects on top of the dehumidifier.
7. Do not use extension cords or plug adapters.
8. Perform all maintenance with the unit powered off unless otherwise specified.

WARRANTY REGISTRATION

Your dehumidifier has an extensive warranty. Record the model, serial number, and purchase date, which can be found on the data label on the unit's side.

Model: Remois X70 / Remois X125 / Remois X145

Serial Number: _____ **Date of Purchase:** _____

For additional questions concerning your dehumidifier, the following options are available:

- Contact your installing contractor
- E-mail: support@cadpxs.com

POWER SUPPLY

Power Supply: 115 V, 60 Hz AC, Single Phase

Outlet Requirement: 3-Prong, GFCI

Circuit Protector: 15 Amps

WARNING: 240 V AC may cause serious injury from electric shock.

To reduce risk of injury:

1. Disconnect electrical power before servicing .
2. Only plug unit into grounded electrical circuit .
3. Do not use an extension cord.
4. Do not use a plug adapter.

WORKING PRINCIPLE

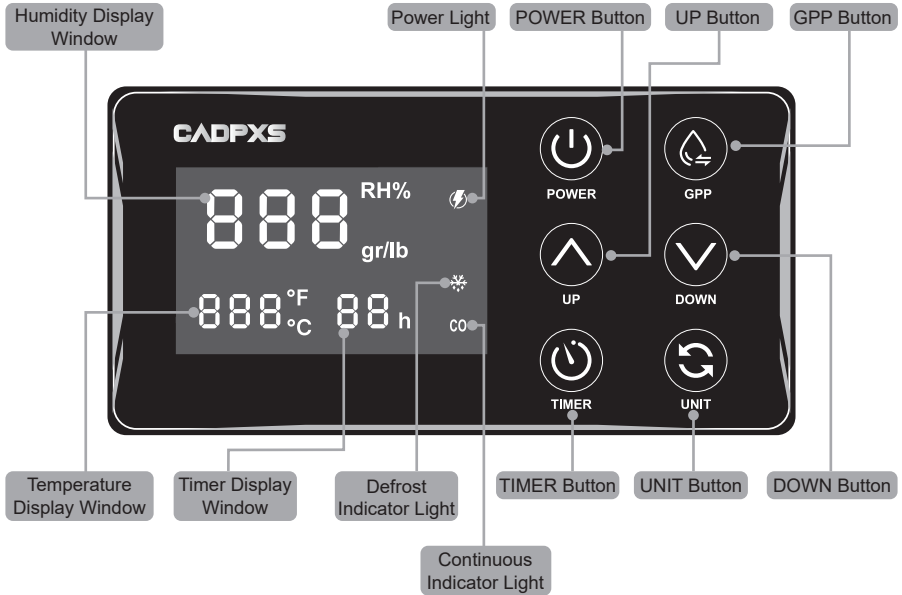
The Dehumidifier utilizes its integral humidistat to monitor the conditioned space. When the relative humidity goes above the selected set point, the dehumidifier will energize. Air is drawn across an evaporator coil, which is cooler than the dew point of air. This means moisture will condense out of the air. The air is then reheated through the condenser coil and distributed back into the room.

INSTALLATION REQUIREMENTS

1. The workspace should be enclosed.
2. Ensure at least a 6-inch clearance for intake and exhaust vents.
3. Position centrally for optimal efficiency.
4. Operate only in an upright, level position.

BUTTON FUNCTIONS

The unit will beep each time a button is pressed to confirm the action.



1. POWER Button

Press this button to turn the dehumidifier on or off.

Press this button to cancel the programmed timer function.

2. UP Button

Press this button to increase the preset humidity or humidity content.

3. DOWN Button

Press this button to decrease the preset humidity or humidity content.

4. GPP Button



Press this button to turn the humidity mode on or off. (When the GPP function is activated, all humidity levels will be displayed and controlled based on the moisture content.)

5. TIMER Button



Press this button to set the desired timer for automatic shutdown. (For details, see the timer function.)

6. UNIT Button



Press this button to toggle between °F and °C.

7. Humidity Display Window

Displays ambient humidity, humidity set point, and error codes (E1, E3, E5).

8. Temperature Display Window

Displays ambient temperature, coil temperature, and error codes LO, H1.

Displays “- -” when Error Code E1 is triggered.

9. Timer Display Window

Shows the selected timer duration and counts down the remaining time.

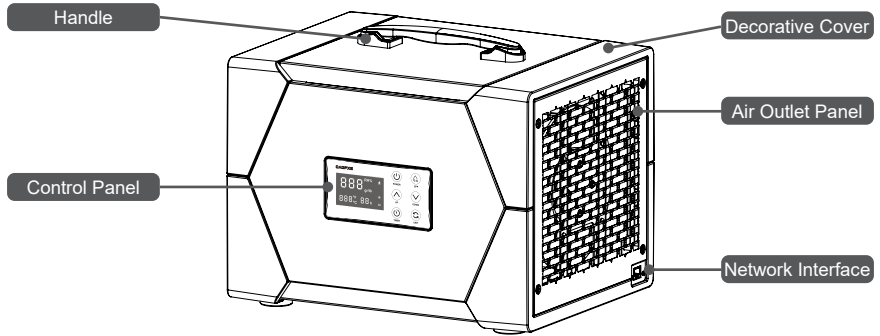
10. Key Combination

Press and hold both the “GPP Button” and “UP Button”:

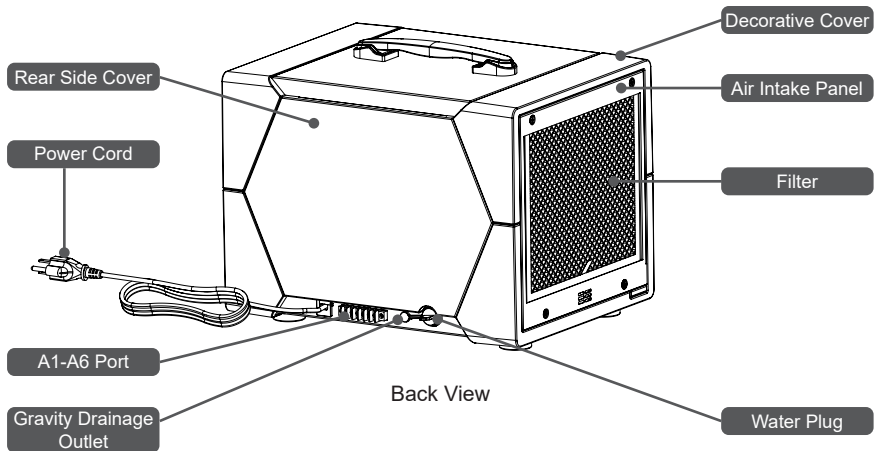
- The Temperature Display Window will display coil temperature.
- Displaying -10°C or 14°F indicates a coil temperature sensor failure.

FUNCTION DESCRIPTION

Remois X70



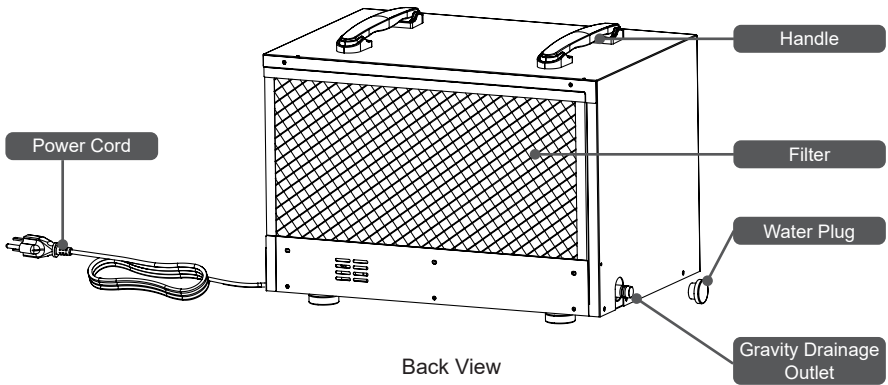
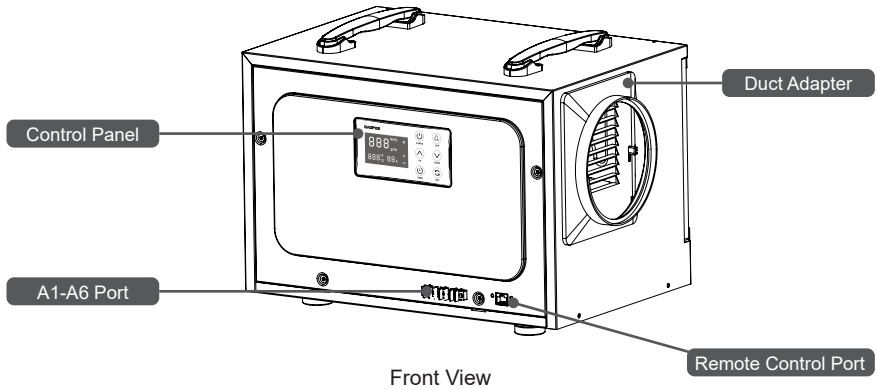
Front View



Back View

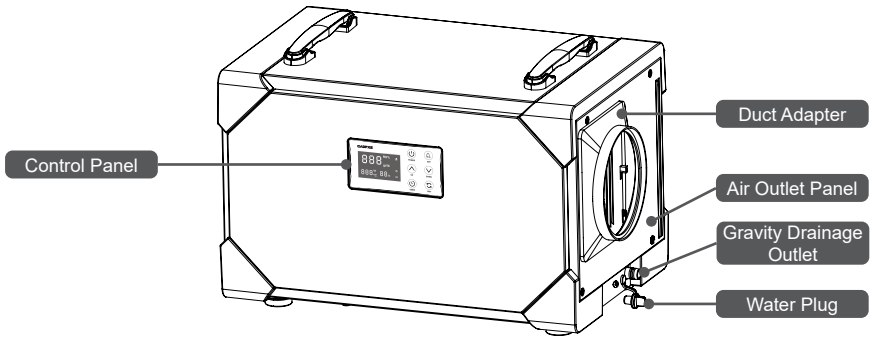
* All illustrations in this manual are for illustrative purposes only. The actual appearance and functions may vary according to the product purchased.

Remois X125

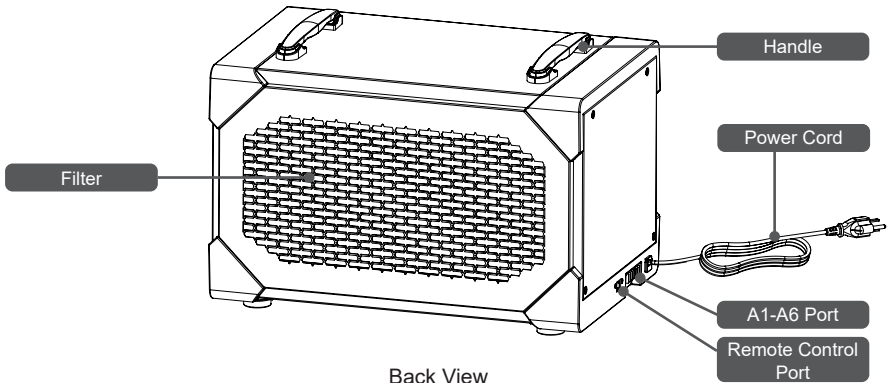


* All illustrations in this manual are for illustrative purposes only. The actual appearance and functions may vary according to the product purchased.

Remois X145



Front View



Back View

* All illustrations in this manual are for illustrative purposes only. The actual appearance and functions may vary according to the product purchased.

How to Set the Humidity Level

Turn on the machine, then press the “UP” or “DOWN” button. The humidity display will flash, showing the current set humidity level.

Adjust the Humidity

While the display is flashing (within 3 seconds), press the “UP” or “DOWN” button repeatedly to change the setting:

- Humidity range: CO → 35% to 90% → CO (1% steps)
- Moisture content: CO → 25% to 200% → CO (5% steps)
- **Tip:** Hold the button to scroll faster.

Once you reach the desired setting, release the button. After 3 seconds, the display will stop flashing and show the current room humidity.

When the target humidity is reached, the machine will enter standby mode and the power light will flash. If humidity rises again, the unit will automatically resume operation based on the set level.

Enabling Continuous Dehumidification Mode

To set the unit to Continuous Dehumidification Mode, start by turning the machine on. Press either the “UP” or “DOWN” button, and the display will begin to blink, indicating that the humidity setting can be adjusted. Within three seconds, keep pressing the “UP” or “DOWN” button until the display shows “CO.” This stands for continuous operation mode. If no further buttons are pressed, the display will stop blinking after three seconds and will show the current humidity level. At this point, the continuous mode light will turn on. In this setting, the dehumidifier will run nonstop, regardless of any changes in room humidity.

Power-off memory function

When the machine unexpectedly loses power during operation and is then reconnected to power, it will automatically resume operation in the same mode and state as before the power loss. However, due to a three-minute compressor protection function, the compressor will not start running until three minutes have passed. There will be a brief switch (approximately 3 seconds) between the fan’s on and off states, which is normal.

Please note: Any settings made before power loss must be successfully set in order to be remembered; otherwise, the memory function will not be activated.

The settings that are stored in memory include:

- Set humidity
- Continuous mode
- GPP function
- Temperature unit switch

Note: The timer function and defrosting settings are not stored in memory.

GPP Function (Grains Per Pound)

By default, the unit starts in humidity mode, displaying RH% on the screen.

To switch to GPP mode, press the GPP button. The display will change to show gr/lb, and the GPP indicator will light up. This mode displays the current moisture content. Press the GPP button again to return to humidity display mode. While in GPP mode, the machine operates based on the set moisture content value.

Defrost Function

This unit features an automatic defrost function.

When the ambient temperature is too low and frost builds up on internal components, the system will enter defrost mode.

During this process, the defrost indicator light stays on, and the Power light flashes slowly. Once defrosting is complete, the unit will return to its previous operating mode, the defrost light will turn off, and the Power light will stop flashing.

Timer Function

To set the timer, power on the unit and press the TIMER button. The display will blink "00H" or show the remaining time from a previous setting. Use the TIMER button within 3 seconds to cycle through time settings from 00H to 24H, increasing by one hour with each press. Once the desired time is selected, stop pressing. After 3 seconds of no input, the display will stop blinking and show the remaining time, confirming the timer is active.

When the countdown ends, the machine will automatically shut off, and the timer setting will clear. If the timer is set to 00H, it will cancel the previous timer. Turning off the machine manually will also cancel the timer. In the case of a malfunction, the timer setting will be retained.

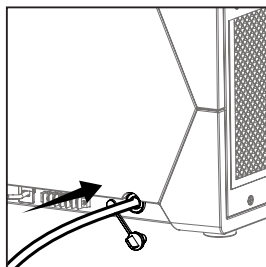
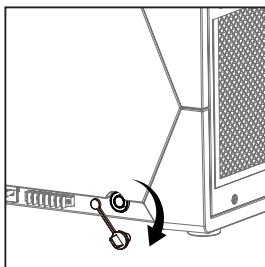
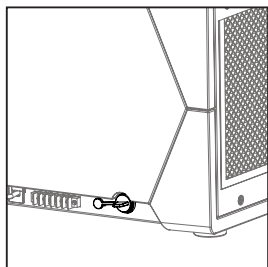
Temperature Display Function

The display shows the ambient temperature. By default, the unit displays in Celsius, indicated by the "°C" light. Press the UNIT button to switch the display to Fahrenheit ("°F" light will appear). Press the UNIT button again to return to Celsius.

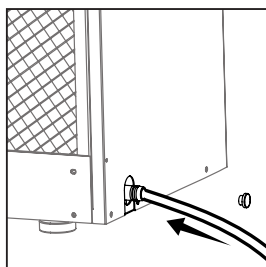
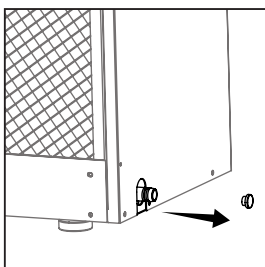
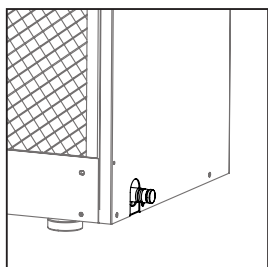
Drainage Function

When using gravity drainage:

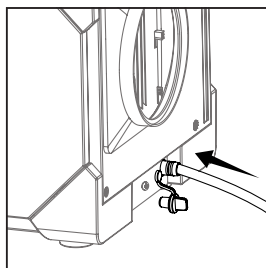
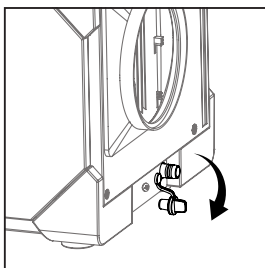
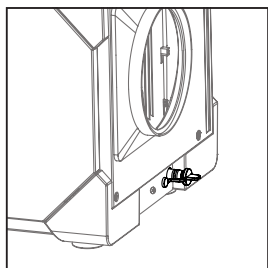
1. First, remove the water plug to empty any residual water from the machine.
2. Insert the gravity drainage hose and ensure it is securely fastened before turning on the dehumidifier. Ensure the end of the hose is not higher than the gravity drainage outlet.
3. If the unit begins to leak while elevated and properly leveled, check the drainage outlet to ensure it is not clogged, and verify that the hose is not bent or kinked.



Remois X70



Remois X125



Remois X145

MAINTENANCE

Warning: Always unplug the power before performing any maintenance.

- **Cleaning the Machine Body:**

Use a soft, damp cloth to clean the exterior of the machine. Do not use any cleaning agents.

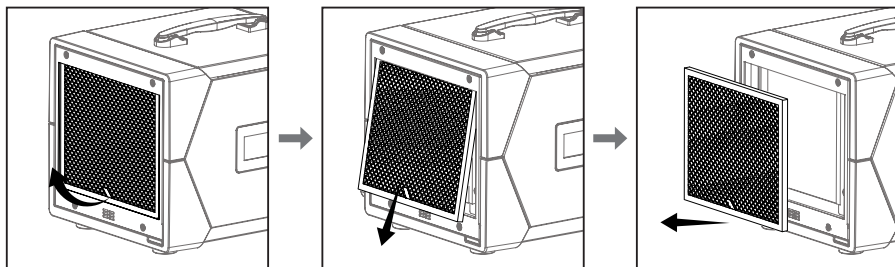
- **Coil Maintenance:**

Once a year, clean the coils with an approved coil cleaner.

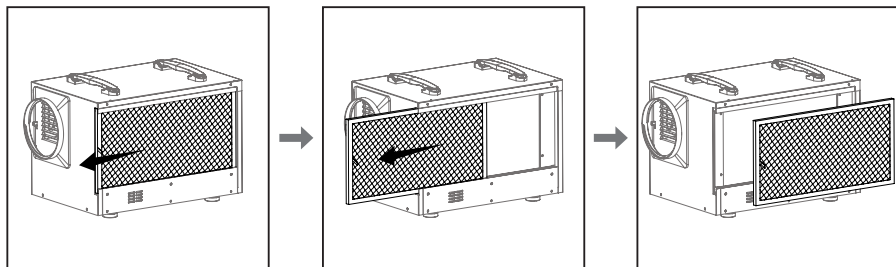
The coil cleaner should be self-cleaning, foaming, and capable of cleaning, such as WEB® coil cleaner.

Cleaning the Filter:

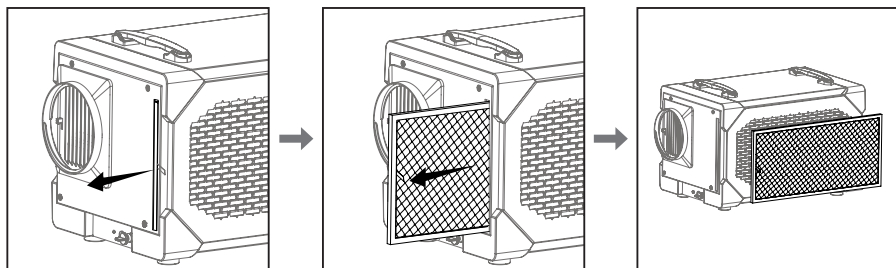
1. Remove the filter from the machine.
2. Use a vacuum cleaner or wash it with warm water (do not use any cleaning agents).
3. After cleaning, let it dry in a shaded area before reinstalling it back into the machine.



Remois X70



Remois X125



Remois X145

Dehumidifier Storage:

If the device will be stored for an extended period, follow these steps:

1. Turn off the machine and allow it to dry.
2. Coil the power cord and store the drainage hose.
3. Place the dehumidifier in a clean, dry location.

ENERGY SAVING TIPS

1. Adjust the humidity setting to the highest comfortable level to reduce the amount of time the dehumidifier runs. If it feels humid or “musty”, lower the humidity setting. To save energy, turn off the dehumidifier when you open the windows, just as you would turn off the air conditioner.
2. If you’re going to be away from home for an extended period of time in the summer, set the relative humidity to 55% and set the thermostat to the highest temperature you’re comfortable with in cooling mode. This will keep humidity at a manageable level while minimizing cooling energy consumption.

OPTIONAL REMOTE CONTROLLER

This dehumidifier supports remote control through a dedicated external controller, connected to the dehumidifier via a network cable, enabling you to manage the unit remotely.

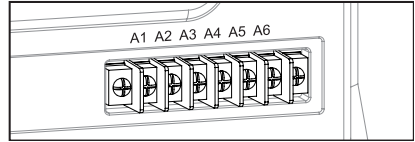
The remote controller is especially useful when the dehumidifier is located in a hard-to-access area, allowing convenient monitoring.

A1-A6 FUNCTIONS

This model is equipped with A1-A6 external functions, providing enhanced versatility. Below are the terminal function details:

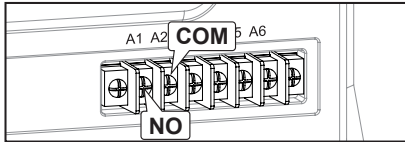
- Terminal Function Version:**

- A1 - NO:** Normally Open
- A2 - COM:** Common port
- A3 - ON-D:** External input (24 V AC/DC)
- A4 - COM:** External input (24 V AC/DC)
- A5 - FLOAT:** External low voltage float switch or water sensor (use normally open switch)
- A6 - FLOAT:** External low voltage float switch or water sensor (use normally open switch)



- Auxiliary Relay Operation:**

For coordinated fan operation with the central heating/cooling system, the UNIT A1-A2 features a relay. The COM and NO relay terminals operate as follows:

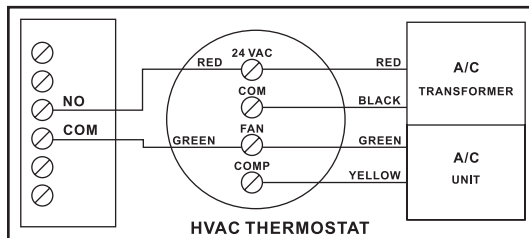


FAN	COM to NO
ON	CONNECTED
OFF	OPEN

- Common Uses:** (Assuming standard thermostat wiring colors)

Energyze the A/C Central Fan During Dehumidifier Fan Operation:

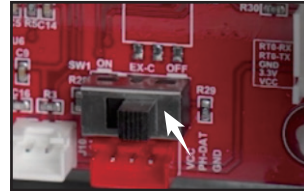
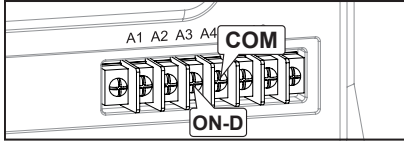
1. Attach a second Green wire to the FAN terminal on the thermostat.
2. Connect the new Green wire to the COM terminal on the UNIT.
3. Run a wire from the Red terminal on the thermostat to the NO (Normally Open) terminal on the UNIT.



- **Dehumidifier Lock-On A/C Sensor Feature:**

Automatically activate the dehumidifier when the air conditioner runs.

When using A3-A4 function, first to open the machine cover board will switch the motherboard, to the position of "ON".



- **Activate Dehumidification When the A/C is Running**

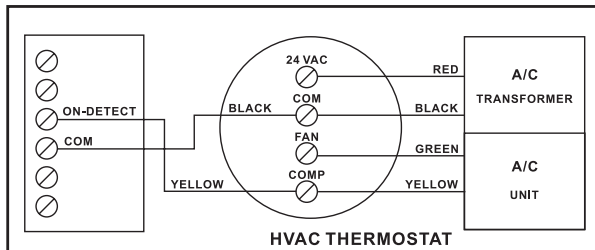
To enable the Lock-On dehumidifier function, follow these steps using a voltmeter to ensure correct wiring from the A/C transformer:

1. Connect the common wire from the existing A/C transformer (usually Black) to the "COM" sensor terminal between "ON-D" on the unit.

- **Tip:** Identify the common wire from the A/C transformer reading 0 volts between it and the Yellow air conditioning call for cooling wire. An incorrect wire will yield a 20 V to 28 V reading.

2. Add another Yellow wire to the thermostat Yellow terminal and run it to the "ON-D" sensor terminal on the unit.

Note: A5-A6 functions serve as external water pump functions. If these two interfaces remain continuously connected for 14 seconds, the machine detects an E4 error, causing the unit to stop. Resolve the E4 error by restarting the unit.



FUNCTION DESCRIPTION

Fault Codes	Problem	How to solve
E1	Humidity sensor malfunction	Replace with a new humidity sensor.
L0	Ambient temperature ≤ 36 °F (2 °C)	When the ambient temperature is detected to be > 36 °F (2°C), it will automatically restore.
HI	Ambient temperature ≥ 104 °F (39 °C)	When the ambient temperature is <104 °F (39°C), it will automatically restore.
E3	Defrost Issue	Check for leaks or if the unit is freezing. This may mean the defrost function isn't working properly.
E5	Coil temperature sensor failure	Check the system for leaks; if none, test the sensor for faults.

LIMITED WARRANTY

This limited warranty starts from the date of purchase. CADPXS Solutions Inc. Warrants to the original purchaser that this CADPXS product is free from manufacturing defects in material or workmanship for the limited warranty period of:

Six (6) Month parts and labor. This includes the shipments charges for replacement parts or unit.

One (1) year parts and labor. This does not include the shipment charge to send the defective product back to be repaired or replaced.

Three (3) years parts and labor on Refrigeration System ONLY (Compressor, Condenser, and evaporator). Transportation cost, not included.

Five (5) years parts on Refrigeration System ONLY(Compressor, Condenser, and evaporator). Transportation cost, not included.

This limited warranty is valid only on products purchased from the manufacturer or CADPXS authorized dealer and operated, installed, and maintained according to the instructions included in this user guide or furnished with the product. CADPXS Solutions Inc will not provide in-home service during or after the warranty period. You may be responsible for the shipping charge to bring the product to the manufacturer for service.

To receive warranty service, the purchaser must contact CADPXS at (888) 503-0618 or support@cadpxs.com. A proof of purchase or order number is required to receive warranty service. During the applicable warranty period, a product will be repaired or replaced at the sole option of CADPXS.

IMPORTANT NOTICE: Keep the item's packaging in case warranty service is required. In the event that the product is sent for repair without explicit guidance from our customer service team, CADPXS shall not assume responsibility for any associated repair costs.

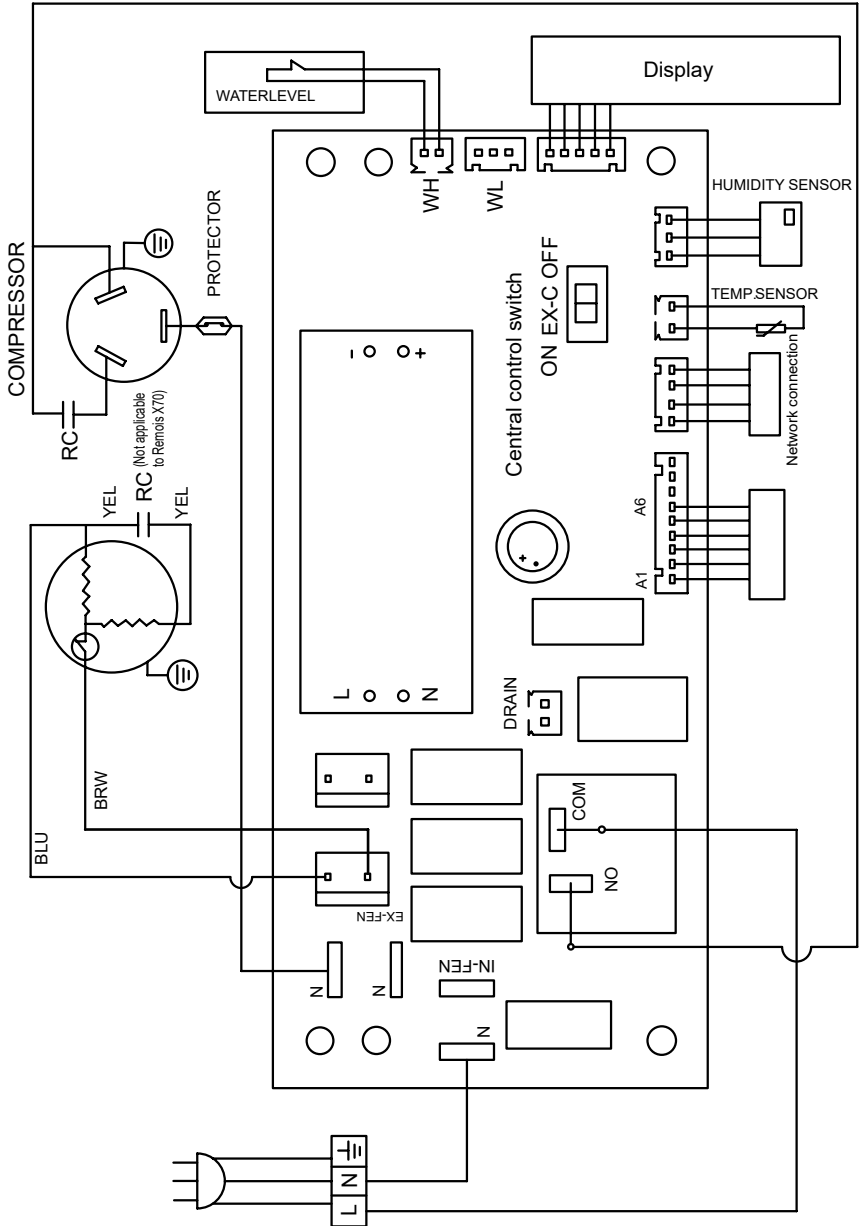
LIMITED WARRANTY EXCLUSIONS

This limited warranty covers manufacturing defects in materials or workmanship encountered in normal household, commercial or noncommercial use of this product and shall not cover the following:

- Damage occurs in uses for which this product was not intended for.
- Damage caused by unauthorized modification or alteration of the product.
- Cosmetic damage including scratches, dents, chips, and other damage to the product's finishes.
- Damage caused by abuse, misuse, pest infestation, accident, fire, floods, or other acts of nature.
- Damage caused by incorrect electrical line current, voltage, fluctuations, and surges.
- Damage caused by failure to perform proper maintenance of the product.

The use of this product in SPA or a room with OUTDOOR POOL invalidate or voids limited warranty.

CIRCUIT DIAGRAM



WARRANTY REGISTRATION CARD



ORDER NUMBER: _____

Return To: CADPXS Solutions Inc.

MODEL: _____

SERIAL #: _____

INSTALLER: _____

INSTALLATION DATE: _____

NAME: _____

ADDRESS: _____

CITY: _____

STATE: _____

ZIP: _____

PHONE #: _____

EMAIL: _____



- If you have any questions, please feel free to contact us at 888-503-0618 or visit www.cadpxs.com
- Register your unit for warranty using this link: <https://www.cadpxs.com/warranty>
- Warranty Registration <https://www.cadpxs.com> or scan this QR code to direct you to the warranty registration website.

CADPXS