

DVD-3800BDCI

Blu-ray/DVD/CD Player

DENON



Reference Blu-ray Disc™ /DVD/CD player featuring Realta sXT2 HQV processing and Denon D.D.S.C.-HD circuit for HD audio decoding.



Bullet points

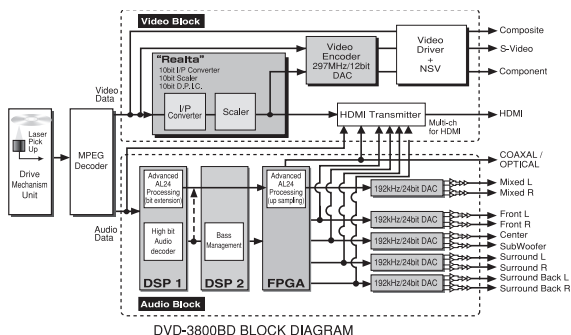
Full 10-bit processing video circuit

- Realta sXT2 HQV processing for i/p and scaling
- HD/SD noise reduction functionality
- Multi Cadence Detection for accurate i/p conversion
- 1080p/24fps output
- HDMI1.3a output with Deep Color support
- Latest Analog Devices Video DACs
- Discrete and separate construction and circuitry for highest quality video processing



Dynamic Discrete Surround Circuit, D.D.S.C.-HD

- Discrete devices for ultimate performance in each block
- New dual 32-bit floating point DSP
- Master clock design for more accurate processing and less jitter noise
- Advanced AL24 processing provides more dynamic range
- Burr Brown PCM-1796 audio decoders for all channels



Dolby TrueHD, dts-HD Master Audio support

- Dolby TrueHD, dts-HD Master Audio up to 7.1 ch bitstream output
- LPCM output up to 7.1 ch
- Decoding Dolby TrueHD and dts-HD Master Audio to PCM multi channel

Precision Drive Mechanism

- Newly developed transport mechanism for stable disc drive and high quality audio and video playback
- Protection from magnetic influences, dust and external vibration
- S.V.H. (Suppress Vibration Hybrid) loader, supported by metal damper and tray guide, ensures stable disc rotation and accuracy

Highly rigid multiple layer construction

- For stable playback, multilayered construction eliminates noise and vibration from outside
- Dual-layered top shields
- Triple-layered bottom shields
- Highly rigid base chassis
- Aluminum front panel
- Large size foot



Digital Media Disc support

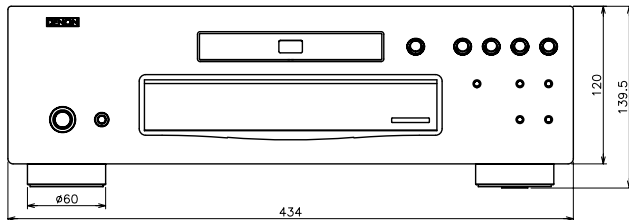
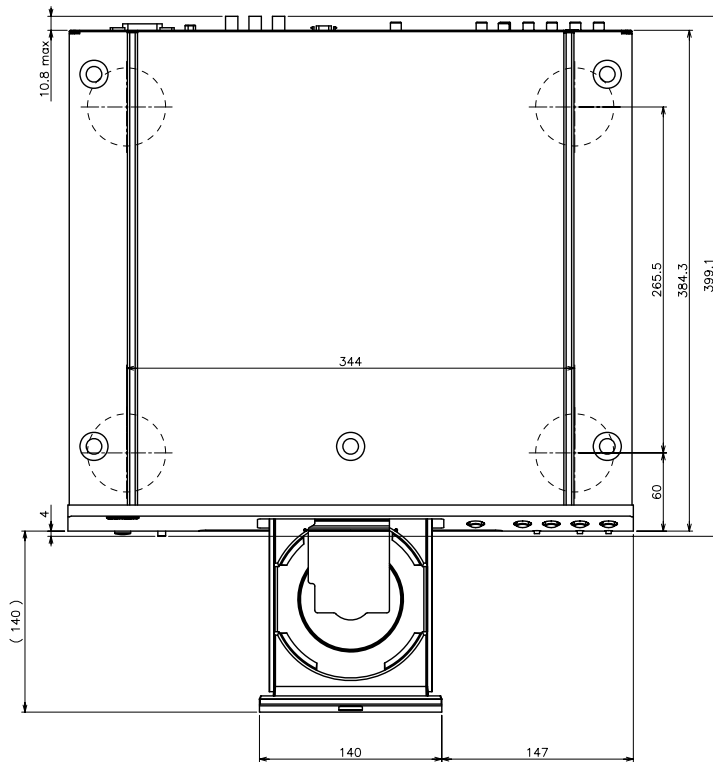
- Blu-ray disc playback
- DVD-Video, DVD-R / RW playback
- CD Audio, CD-R / RW playback
- Decodes MP3 / WMA files on CD-R/RW
- JPEG / Kodak / Fuji photo disc support
- Divx ver.6 support

Latest BD-J support (Bonus View)

- Blu-ray Java profile ver. 1.1 support
- Picture in Picture and secondary video and audio support
- Sub-video data (director's comments, etc) recorded with movies on Blu-ray disc can be enjoyed in a sub-screen with the main screen
- SD-Card slot

Custom-install Features

- RS-232C control
- Remote in/out IR control
- Remote IR lock
- Detachable power cord
- Parallel Analog/HDMI video outputs



Input / Output terminals

OUT	Terminal	Quantity
HDMI	HDMI	1
	Component Video	2(1:BNC)
	S-Video	1
	Composite	1
Analog 2 ch audio	Analog 2 ch audio	1
	Analog 7.1 ch audio	1
	Digital Optical	1
	Digital Coaxial	1

Specifications

General	
Power supply	AC 120 V, 60 Hz
Power consumption	68 W (Standby : 0.8 W)
Dimensions (WxHxD)	434 x 139 x 399 mm 17-2/16" x 5-8/16" x 15-12/16"
Weight	22.8 lbs 10.3 kg.



*Design and specifications are subject to change without notice.

**Blu-ray Disc® and Blu-ray Disc logo are trademarks.

**Dolby® and the double-D device are registered trademarks of Dolby Laboratories Licensing Corporation.

**DTS and DTS Digital Surround are registered trademarks of DTS Technology.

**HDMI, the HDMI logo and High-Definition Multimedia Interface are trademarks or registered trademarks of HDMI Licensing LLC.

**DivX, DivX Certified, and associated logos are trademarks of DivX, Inc. and are used under license.

**NSV is a registered trademark of Analog Devices, Inc.

**Java and all other trademarks and logos are trademarks or registered trademarks of Sun Microsystems, Inc. in the United States and/or other countries.

**Windows Media and the Windows logo are trademarks or registered trademarks of Microsoft Corporation in the United States and/or other countries.

**KODAK® is trademark of Eastman Kodak Company.