



# CERAMIC GLASS ELECTRIC COOKTOP PLAQUE DE CUISSON ÉLECTRIQUE EN VITROCÉRAMIQUE

## *User Manual* *Manuel d'utilisateur*

### **Models / Modèles:**

CR2110B	CR2BV115BK	LCR2B120BK
CR2110WHE	CR2BV115WHE	LCR2B120WHE
CR2220B	CR2BV230BK	LCR2B230BK
CR2220WHE	CR2BV230WHE	LCR2B230WHE

**BEFORE USE, PLEASE READ AND FOLLOW ALL SAFETY RULED AND OPERATING  
INSTRUCTIONS**

**AVANT UTILISATION, VEUILLEZ LIRE ET RESPECTER TOUTES LES RÈGLES DE  
SÉCURITÉ ET LES INSTRUCTIONS D'UTILISATION.**

*Write Model and Serial Numbers  
here / Inscrivez ici les numéros de  
modèle et de série:*

*Model:Modèle :* \_\_\_\_\_

*Serial No. N° de série*  
\_\_\_\_\_

**Summit Appliance Division of  
Felix Storch, Inc.  
An ISO 9001:2015 registered company  
770 Garrison Avenue  
Bronx, NY 10474  
[www.summitappliance.com](http://www.summitappliance.com)**

# TABLE OF CONTENTS

<b>Safety Instructions</b>	<b>3</b>
<b>Important Safeguards</b>	<b>3-4</b>
<b>Installation Instructions</b>	<b>5-10</b>
<i>Unpacking the Cooktop</i>	5
<i>Electrical Supply Requirements</i>	6
<i>Electrical Connection</i>	6
<i>Countertop Preparation</i>	7-9
<i>Installation</i>	9-10
<b>Operation</b>	<b>10-11</b>
<i>Heating Elements</i>	10
<i>Cookware</i>	10
<i>Controls and Indicators</i>	11
<b>Limited Warranty</b>	<b>12</b>

# SAFETY INSTRUCTIONS

Your safety and the safety of others are very important.

We have provided many important safety messages in this manual and on your unit. Always read and obey all safety messages.



This is the Safety Alert Symbol. The symbol alerts you to potential hazards that can kill or injure you and others. All safety messages will follow the Safety Alert Symbol and either the words "DANGER" or "WARNING".



DANGER means that failure to heed this safety statement may result in severe personal injury or death.



WARNING means that failure to heed this safety statement may result in extensive product damage, serious personal injury, or death.

All safety messages will alert you about the potential hazard, tell you how to reduce the chance of injury, and let you know what can happen if the instructions are not followed.

---

## IMPORTANT SAFEGUARDS



Before the equipment is used, it must be properly positioned and installed as described in this manual, so read the manual carefully. To reduce the risk of fire, electrical shock or injury when using this equipment, follow basic precautions, including the following:



- Be sure your appliance is properly installed and grounded by a qualified technician.
- Never use your appliance for warming or heating the room.
- Children should NEVER be left alone or unattended in the area where the appliance is in use. They should never be allowed to sit or stand on any part of the appliance. Do not store items of interest to a child in cabinets above cooktop. Children climbing on the cooktop to reach such items could be seriously injured.
- Wear proper clothing/apparel: loose-fitting or hanging garments should never be worn while using the appliance.
- Do not repair or replace any part of the appliance. If service ever becomes necessary, this appliance should be serviced by *AUTHORIZED PERSONNEL ONLY* or call *SUMMIT Customer Service at 1-800-932-4267*.
- Keep flammable materials away from the cooktop.
- Do not store plastic material (such as plastic utensils) in storage areas beneath cooktop.
- Plastic items with low melting temperatures should not be stored under, over or near the cooktop.
- Never immerse the removable heating elements in water or any other liquid
- Do not use water on grease fires.

- Smother fire or flame or use dry chemical or foam-type extinguisher.
- Use only dry potholders.
- Damp potholders on hot surfaces may result in burns from steam. Do not let potholder touch the heating elements on the appliance. Do not use a towel or other bulky cloth in place of a potholder.
- Do not cook on a broken cooktop.
- If your cooktop should break, cleaning solutions and spillovers may penetrate the broken cooktop and create a risk of electric shock. Immediately contact an authorized service center or call the SUMMIT Customer Service at 1-800- 932-4267.
- Clean cooktop with caution.
- If a wet sponge or cloth is used to wipe spills on a hot cooking surface, be careful to avoid steam burns. Some cleaners produce noxious fumes if applied to a hot surface. Read the cleaner label for details prior to use.
- DO NOT TOUCH HEATING ELEMENTS.
- The heating elements on the cooktop may be hot even if they are dark in color. These areas may be hot enough to cause burns. Never touch heating elements until they have had sufficient time to cool. Likewise, never allow clothing or flammable materials to come in contact with heating elements or the cooktop surface until they have had sufficient time to cool. Other surfaces of the appliance may become hot enough to cause burns.
- Use proper pan size.
- This appliance is equipped with one or more 6"-diameter surface units. Select utensils having flat bottoms large enough to cover the surface unit heating element. The use of undersized utensils will expose a portion of the heating element to direct contact and may result in ignition of clothing.
- Proper relationship of utensil to burner will also improve efficiency.
- Never leave surface units unattended at high heat settings.
- Boil-over causes smoking and greasy spillovers that may ignite.
- Utensil handles should be turned inward and not extend over adjacent surface units.
- To reduce the risk of burns, ignition of flammable materials, and spillage due to unintentional contact with the utensil, the handle of a utensil should be positioned so that it is turned inward, and does not extend over adjacent surface units.
- These cooktops are for HOUSEHOLD USE ONLY.

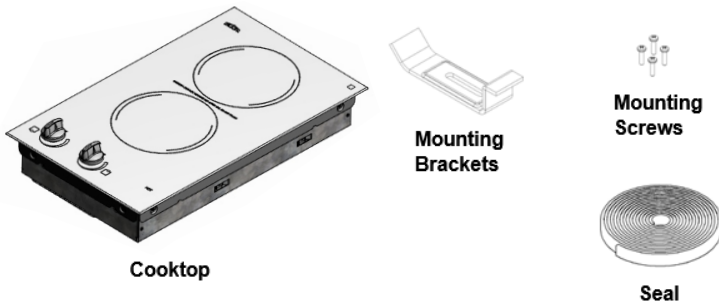
**- SAVE THESE INSTRUCTIONS -**

# INSTALLATION INSTRUCTIONS

This appliance must be properly installed and grounded by a qualified technician.

## Unpacking the Cooktop

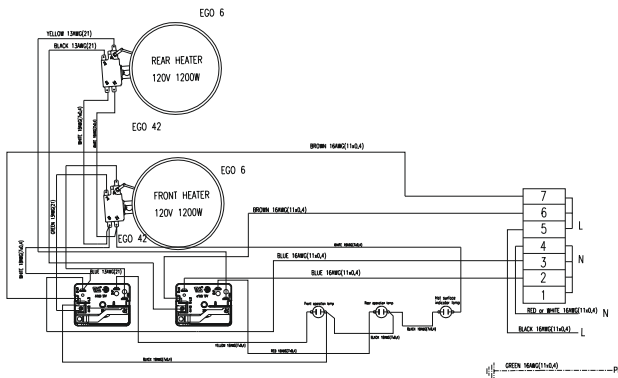
- Carefully unpack the cooktop from its shipping container. If possible, retain the original shipping carton and protective packaging in the event the unit ever has to be returned for service.
- Identify the package contents. Verify the following items are included in the carton. Call SUMMIT immediately if any components are missing or damaged.



- Parts included:
  - Ceramic glass cooktop
  - Mounting brackets: 2 pieces for Single and Double Burners and 4 pcs. for Triple Burners
  - Mounting screws: 2 pieces for Single and Double Burners and 4 pieces for Triple Burners
  - Self-adhesive sealant strip

## Electrical Supply Requirements

This product must be installed in accordance with national, state and local electric codes. The following table provides the correct voltage, amperage and frequency that must be supplied to the cooktop.



Model Number	Max. Connected Load	Required Power Supply Input	Min. Wire Size
CR2110WHE	2,400 Watts	120V AC/20A/50-60Hz	#16 AWG
CR2110B	2,400 Watts	120V AC/20A/50-60Hz	#16 AWG
CR2220WHE	2,400 Watts	240V AC/10A/50-60Hz	#16 AWG
CR2220B	2,400 Watts	240V AC/10A/50-60Hz	#16 AWG

- The supply must be from an individual grounded circuit that is protected by a circuit breaker and rated per the specifications for the various models as shown in the table above.
- Consult with a licensed electrician before proceeding with the installation if the electrical power supply does not meet the product specifications,

**CAUTION:** *Installations must comply with all local, state, and national electrical codes. Failure to comply with the applicable codes may result in fire, property damage, personal injury, or death.*

### Electrical Connection

- Before installing your cooktop, disconnect the power supply. Verify that the appropriate electrical supply requirements have been met. Refer to the table above for the appropriate electrical requirements.
- The cooktop is supplied with a 40" long power cable to connect to an accessible junction box. The conduit consists of three insulated wires.
  - **In 120V units**, there is a hot lead conductor (black insulated tinned copper), one insulated ground conductor (green insulated tinned copper) and a neutral conductor (red or white insulated tinned copper).
  - **In 240V units**, there is a hot lead conductor (black insulated tinned copper), one insulated ground conductor (green insulated tinned copper) and a neutral conductor (red or white insulated tinned copper).

Attach conductor wires to residence wiring in accordance with national, state and local electric codes.



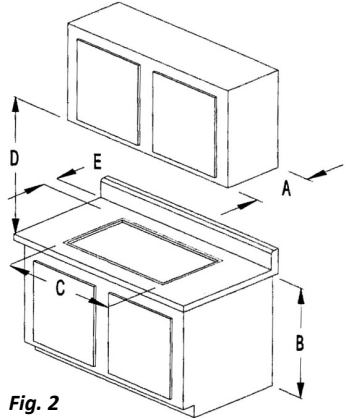
### **WARNING**

The entire appliance must be grounded at all times when the electrical power supply is on. Connect the red to red, black to black and green to ground. Do not ground the appliance with the neutral house supply wire. A separate ground must be used.

## Countertop Preparation

Before installing your cooktop, be mindful of the proper dimensions and clearances needed to ensure safe use and operation. Refer to the dimensions below, in accordance with **Fig. 2**:

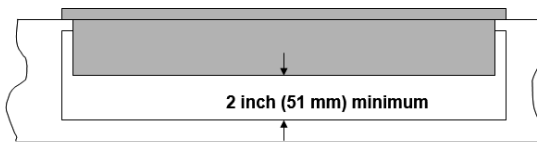
- A. **13"** maximum depth of overhead cabinets.
- B. **36"** minimum height of the countertop above floor.
- C. **NOTE:** The minimum flat countertop surface that the cooktop will rest upon must be equal or greater than the overall cooktop dimensions. Refer to the following pages for overall cooktop dimensions.
- D. **30"** minimum clearance between the top of the cooking surface and the bottom of an unprotected wood or metal cabinet or **24"** minimum clearance when the bottom of wood or metal cabinet is protected by no less than ¼-inch-thick flame retardant millboard covered with no less than No. 28 MSG sheet steel, **0.015"** thick stainless steel, **0.024"** thick aluminum or **0.020"** thick copper.
- E. **1"** minimum from the backsplash of the countertop to edge of glass cooktop. Refer to the following pages for overall cooktop dimensions.



**Fig. 2**

**CAUTION:** Do not install the cooktop closer than ½" (12mm) from any adjacent surface.

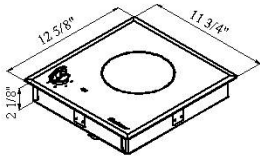
- Cabinets located above the surface of the cooktop should be avoided to eliminate the risk of burns caused by reaching over the heated cooktop. If cabinet storage is necessary, the risk of burns or fire can be reduced by installing a range hood that projects horizontally a minimum of 5" out beyond the bottom of the cabinets.
- Before making the countertop cutout, check for clearance. Check to see if the cooktop will clear the front and side walls of the base cabinet. It is also important to provide enough ventilation.
- Adequate ventilation of the space below the countertop must be provided to ensure proper operation of the cooktop. Heat transferred from the cooktop bottom pan during operation will overheat an improperly ventilated area.



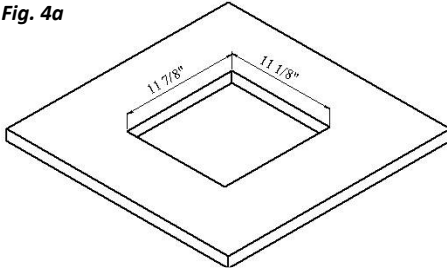
**Fig. 3**

- Allow a 2" minimum clearance between the bottom of the metal pan of the cooktop and any combustibile surface located below, i.e.: the upper edge of a drawer installed below the cooktop (refer to Fig. 3). Failure to provide proper clearances and ventilation may result in a fire hazard.

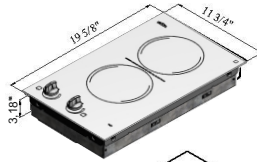
- Cooktop dimensions and countertop cutout dimensions for each model are shown below:



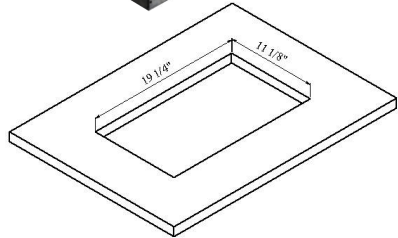
**Fig. 4a**



**CR1115/CR1BV110/LCR1B120B**



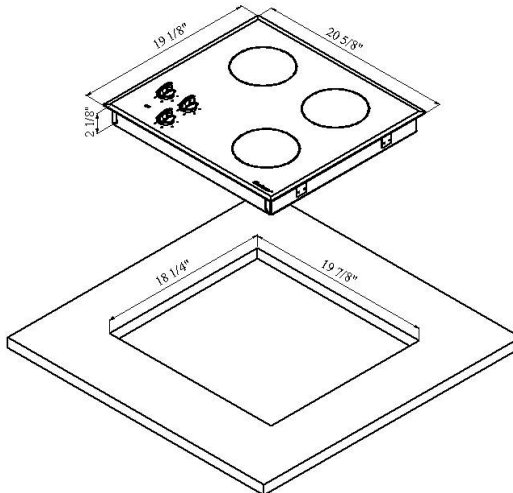
**Fig. 4b**



**CR2110B  
CR2110WHE  
CR2220B  
CR2220WHE**

**CR2BV115BK  
CR2BV115WHE  
CR2BV230BK  
CR2BV230WHE**

**LCR2B120BK  
LCR2B120WHE  
LCR2B230BK  
LCR2B230WHE**

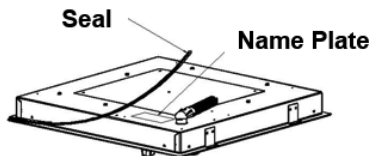


**CR3240/CR3B230/LCR3B230B**

**NOTE:** When making the countertop, **radius** the corner of the cutout (1/4" radius is typical). This will prevent cracking of the countertop. Follow manufacturer's instructions regarding minimum corner radius and reinforcement of corners.

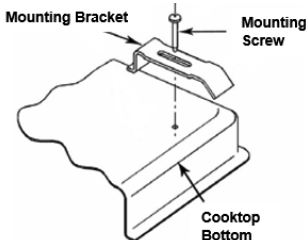
## Installation

1. Attach the self-adhesive sealant as described below. The sealant prevents liquid from infiltrating into the cabinet. Additionally, the cooktop should be bedded to the countertop using a soft bedding compound that will prevent damage if later removal for service is necessary. The mounted special seal prevents this damage. Strictly comply with the following instructions in order to correctly apply this seal:
  - a. Detach the seals from their backing, checking that the transparent protection still adheres to the seal itself.
  - b. Turn the cooktop over and correctly position the seal under the edge of the cooktop so that the outer side of the seal aligns with the outer peripheral edge of the cooktop (refer to **Fig. 5**). The ends of the strips must fit together without overlapping.
  - c. Fix the seal to the cooktop evenly and securely, pressing it in place with your fingers.

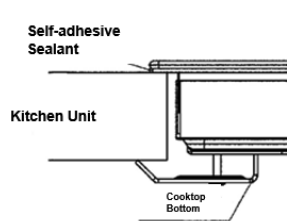


**Fig. 5**

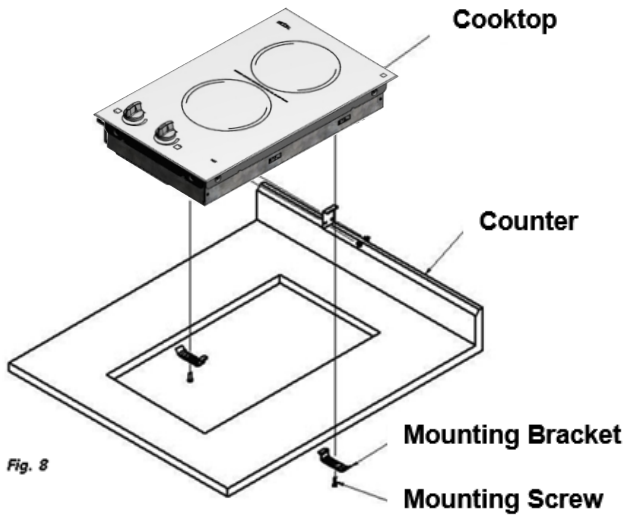
3. Attach the mounting brackets to the inside bottom surface of the cutout (refer to **Figs. 6-7-8**). The brackets are to be mounted on opposing sides.
4. Center the bracket in the opening flush with the countertop, and secure with long self-tapping screws (included).
5. Position the cooktop in the cutout opening and press firmly on all sides to seal the frame into the bedding compound.
6. Secure the cooktop to the brackets from underneath with the small sheet metal screws that are supplied. There are two mounting brackets for the single and double glass
7. ceramic cooktops and four brackets for the triple glass ceramic cooktop.
8. These brackets are designed to tighten the cooktop and then seal it onto the counter to avoid any movement of the cooktop and to provide good insulation.



**Fig. 6**



**Fig. 7**



## OPERATION

The cooking surface areas of your glass ceramic cooktop are identified by permanent patterns in the cooktop. Keeping the cooktop at top performance levels can be achieved by following the simple guidelines for use and cleaning below.

### Heating Elements

This cooktop contains radiant heating elements, which will “light up” about 4-5 seconds after being turned on. The special design of these elements directs the heat up through the ceramic glass, providing efficient cooking. Temperature limiters are included in each element to ensure that the safe operating temperature of the ceramic glass top is not exceeded. The temperature limiter will cycle the radiant element on and off to prevent exceeding the maximum safe surface temperature.

### Cookware

Cooking on a glass ceramic cooktop does not require special pots or pans. Since cookware plays an important role in cooking efficiency and convenience, keep in mind the following information when selecting your cookware.

- The cookware should have a flat bottom. Although glass and other types of cookware can be used, aluminum, stainless steel and other types of metal cookware, with thick, smooth, flat bottoms usually work best. Avoid cookware with shaped and rounded bottoms, as well as utensils that warp when heated.
- Use cookware that is about as wide as the cooking zone on which it is used. Using cookware with the correct diameter achieves maximum heating efficiency in the shortest possible time.
- Be certain that both the cooktop surface and the bottom of your pots and pans are clean and dry before use. By doing so, you will help prevent scratches and stains.

## Controls and Indicators

The cooking area controls begin at low and increase heat output by cycling the heating elements between OFF and full power as you turn the knob clockwise. The heating elements will stay at full power for longer periods and at zero power for shorter periods as you turn the knob clockwise, thus increasing the heat output.

There is a light next to each of the control knobs that provides an indication of burner operation and a hot surface. When a control is in the ON position, the red light is lit indicating which burner is on and is therefore too warm to touch.

DO NOT place articles other than cookware on the cooking surface while this light is glowing.

# CLEANING

To help ensure that your cooktop stays clean, follow these easy-care tips:

- Clean the cooktop before you use it for the first time. A thorough cleaning with a recommended cooktop cleaner will provide a coating on the cooktop prior to its first use.
- Always remove food spills, grease splatters and metal rub-off from cookware. A razor blade scraper or the equivalent works well to remove spillovers.
- Clean the cooktop with a paper towel or a clean, soft cloth and a recommended cleaner. After cleaning, always wipe the cooktop with a clean, damp cloth to avoid cooked-on cleaner residue. Wipe the cooktop dry.
- Do not use a dish towel or sponge to wipe off the cooktop. A film may be left by the detergent and may cause discoloration of the cooktop surface.
- Avoid abrasive scouring cleaners of any kind. Also avoid using plastic, nylon or metal cleaning pads. They may scratch or melt onto the cooktop.
- Avoid chemical cleaners such as chlorine bleach, ammonia, hydrofluoric acid or chemical oven cleaners. They can etch or discolor the surface.
- Do not let anything that melts – plastic, aluminum foil, sugar, etc., come into contact with the cooktop surface when it is hot. Should something melt onto the surface, *immediately* move it to a cool area of the cook top with a razor blade scraper and then remove it from the cooktop as soon as possible.

# LIMITED WARRANTY

## ONE-YEAR LIMITED WARRANTY

Within the 48 contiguous United States, for one year from the date of purchase, when this appliance is operated and maintained according to instructions attached to or furnished with the product, warrantor will pay for factory-specified parts and repair labor to correct defects in materials or workmanship. Service must be provided by a designated service company. Outside the 48 states, all parts are warranted for one year from manufacturing defects. Plastic parts, shelves and cabinets are warranted to be manufactured to commercially acceptable standards, and are not covered from damage during handling or breakage.

### **ITEMS WARRANTOR WILL NOT PAY FOR:**

- Service calls to correct the installation of your appliance, to instruct you how to use your appliance, to replace or repair fuses or to correct wiring or plumbing.
- Service calls to repair or replace appliance light bulbs or broken glass shelves. Consumable parts (such as filters) are excluded from warranty coverage.
- Damage resulting from accident, alteration, misuse, abuse, fire, flood, acts of God, improper installation, installation not in accordance with electrical or plumbing codes, or use of products not approved by warrantor.
- Replacement parts or repair labor costs for units operated outside the United States.
- Repairs to parts or systems resulting from unauthorized modifications made to the appliance.
- The removal and reinstallation of your appliance if it is installed in an inaccessible location or is not installed in accordance with published installation instructions.

### **DISCLAIMER OF IMPLIED WARRANTIES – LIMITATION OF REMEDIES**

CUSTOMER'S SOLE AND EXCLUSIVE REMEDY UNDER THIS LIMITED WARRANTY SHALL BE PRODUCT REPAIR AS PROVIDED HEREIN. IMPLIED WARRANTIES, INCLUDING WARRANTIES OF MERCHANTABILITY OR FITNESS FOR A PARTICULAR PURPOSE, ARE LIMITED TO ONE YEAR. WARRANTOR SHALL NOT BE LIABLE FOR INCIDENTAL OR CONSEQUENTIAL DAMAGES. SOME STATES DO NOT ALLOW THE EXCLUSION OR LIMITATION OF INCIDENTAL OR CONSEQUENTIAL DAMAGES, OR LIMITATIONS ON THE DURATION OF IMPLIED WARRANTIES OF MERCHANTABILITY OR FITNESS, SO THESE EXCLUSIONS OR LIMITATIONS MAY NOT APPLY TO YOU. THIS WARRANTY GIVES YOU SPECIFIC LEGAL RIGHTS AND YOU MAY ALSO HAVE OTHER RIGHTS, WHICH VARY FROM STATE TO STATE.



**WARNING: This product can expose you to chemicals including Nickel (Metallic) which is known to the State of California to cause cancer.**

For more information go to [www.P65Warnings.ca.gov](http://www.P65Warnings.ca.gov)

Note: Nickel is a component in all stainless steel and some other metallic compositions.

**Summit Appliance Division of  
Felix Storch, Inc.**  
An ISO 9001:2015 registered company  
770 Garrison Avenue  
Bronx, NY 10474  
[www.summitappliance.com](http://www.summitappliance.com)

# **SUMMIT**

For parts and accessory ordering,  
troubleshooting and helpful hints, visit:  
[www.summitappliance.com/support](http://www.summitappliance.com/support)



# CERAMIC GLASS ELECTRIC COOKTOP PLAQUE DE CUISSON ÉLECTRIQUE EN VITROCÉRAMIQUE

## *User Manual* *Manuel d'utilisateur*

### **Models / Modèles:**

CR2110B	CR2BV115BK	LCR2B120BK
CR2110WHE	CR2BV115WHE	LCR2B120WHE
CR2220B	CR2BV230BK	LCR2B230BK
CR2220WHE	CR2BV230WHE	LCR2B230WHE

**BEFORE USE, PLEASE READ AND FOLLOW ALL SAFETY RULED AND OPERATING  
INSTRUCTIONS**

**AVANT UTILISATION, VEUILLEZ LIRE ET RESPECTER TOUTES LES RÈGLES DE  
SÉCURITÉ ET LES INSTRUCTIONS D'UTILISATION.**

*Write Model and Serial Numbers  
here / Inscrivez ici les numéros de  
modèle et de série:*

*Model: Modèle :* \_\_\_\_\_

*Serial No. N° de série*  
\_\_\_\_\_

**Summit Appliance Division of  
Felix Storch, Inc.  
An ISO 9001:2015 registered company  
770 Garrison Avenue  
Bronx, NY 10474  
[www.summitappliance.com](http://www.summitappliance.com)**

# TABLE DES MATIÈRES

<b>Consignes de Sécurité</b>	<b>3</b>
<b>Mesures de protection importantes</b>	<b>3-4</b>
<b>Instructions d'installation</b>	<b>5-10</b>
<i>Déballage de la plaque de cuisson</i>	5
<i>Exigences relatives à l'alimentation électrique</i>	6
<i>Branchement électrique</i>	6
<i>Préparation du plan de travail</i>	7-9
<i>Installation</i>	9-10
<b>Fonctionnement</b>	<b>10-11</b>
<i>Éléments de chauffage</i>	10
<i>Ustensile de cuisson</i>	10
<i>Commandes et indicateurs</i>	11
<b>Garantie restreinte</b>	<b>12</b>

# CONSIGNES DE SÉCURITÉ

Nous avons fourni plusieurs messages de sécurité importants dans ce manuel et sur votre appareil. Lisez et respectez toujours tous les messages de sécurité.



Ceci est le symbole d'alerte de sécurité. Ce symbole vous avertit des risques potentiels de blessures graves ou même de mort qui peuvent survenir pour vous et toute autre personne. Tous les messages concernant la sécurité seront précédés du symbole d'alerte de sécurité et du mot « DANGER » ou « AVERTISSEMENT ».



DANGER signifie que le non-respect de cette consigne de sécurité peut entraîner des blessures corporelles graves ou la mort.



AVERTISSEMENT signifie que le non-respect de cette consigne de sécurité peut endommager sérieusement le produit, entraîner des blessures corporelles graves ou la mort.

Tous les messages de sécurité vous alertent sur le danger potentiel, vous indiquent comment réduire le risque de blessure et vous informent de ce qui peut arriver si les instructions ne sont pas respectées.

---

## MESURES DE PROTECTION IMPORTANTES



Avant d'utiliser l'équipement, il faut le positionner et l'installer correctement, comme décrit dans ce manuel, il faut donc le lire attentivement. Lors de l'utilisation de cet équipement, respectez les précautions de base suivantes pour réduire le risque d'incendie, de choc électrique et de blessures graves :



- Assurez-vous que votre appareil est correctement installé et mis à la terre par un technicien qualifié.
- N'utilisez jamais votre appareil pour réchauffer la pièce.
- Les enfants ne doivent JAMAIS être laissés seuls ou sans surveillance dans la zone où l'appareil est utilisé. Ils ne doivent jamais être autorisés à s'asseoir ou à monter sur une partie quelconque de l'appareil. Ne rangez pas d'objets susceptibles d'intéresser un enfant dans les armoires situées au-dessus de la plaque de cuisson. Les enfants qui grimpent sur la plaque de cuisson pour avoir accès à ces objets pourraient gravement se blesser.
- Portez des vêtements/tenués approprié(s) : les vêtements amples ou suspendus ne doivent jamais être portés pendant l'utilisation de l'appareil.
- Ne réparez pas ou ne retirez pas l'une des pièces de l'appareil par vous-mêmes. Si un entretien s'avère nécessaire, cet appareil doit être réparé par du **PERSONNEL AUTORISÉ UNIQUEMENT** ou appelez le *service à la clientèle de SUMMIT au 1-800-932-4267*.
- Tenez les matériaux inflammables loin de la plaque de cuisson.
- Ne stockez pas de matériaux en plastique (tels que des ustensiles en plastique) dans les zones de stockage situées sous la plaque de cuisson.
- Les articles en plastique à faible température de fusion ne doivent pas être rangés sous, au-dessus ou à proximité de la plaque de cuisson.
- Ne plongez jamais les éléments de chauffage dans l'eau ou tout autre liquide
- Évitez d'utiliser de l'eau pour éteindre les feux de cuisson.

- Éteuftez le feu ou la flamme ou utilisez un extincteur à poudre ou à mousse.
- Utilisez les supports de marmite secs.
- Des supports de marmite humides sur des surfaces chaudes peuvent entraîner des brûlures dues à la vapeur. Ne laissez pas le support de marmite toucher les éléments de chauffage de l'appareil. N'utilisez pas une serviette ou un autre tissu volumineux à la place du support de marmite.
- Ne cuisinez pas sur une plaque de cuisson cassée.
- Si votre plaque de cuisson se brise, les solutions de nettoyage et les débordements peuvent pénétrer dans la plaque de cuisson brisée et créer un risque d'électrocution. Contactez immédiatement un centre de service autorisé ou appelez le service clientèle de SUMMIT au 1-800- 932-4267.
- Nettoyez la plaque de cuisson avec précaution.
- Si vous utilisez une éponge ou un chiffon humide pour essuyer les éclaboussures sur une surface de cuisson chaude, faites attention à ne pas vous brûler avec la vapeur. Certains nettoyants produisent des fumées nocives lorsqu'ils sont appliqués sur une surface chaude. Lisez l'étiquette du nettoyant pour plus de détails avant de l'utiliser.
- **NE TOUCHEZ PAS LES ÉLÉMENTS DE CHAUFFAGE.**
- Les éléments de chauffage de la plaque de cuisson peuvent être chauds même s'ils sont de couleur foncée. Ces zones peuvent être suffisamment chaudes pour provoquer des brûlures. Ne touchez jamais les éléments de chauffage avant qu'ils n'aient eu le temps de refroidir. De même, ne laissez jamais des vêtements ou des matériaux inflammables entrer en contact avec les éléments de chauffage ou la surface de la plaque de cuisson avant qu'ils n'aient eu le temps de refroidir. D'autres surfaces de l'appareil peuvent devenir suffisamment chaudes pour provoquer des brûlures.
- Utilisez la bonne taille de poêle.
- Cet appareil est équipé d'une ou plusieurs unités de surface de 6 po de diamètre. Choisissez des ustensiles dont le fond plat est suffisamment grand pour couvrir l'élément de chauffage de l'unité de surface. L'utilisation d'ustensiles de taille insuffisante expose une partie de l'élément de chauffage à un contact direct et peut entraîner l'inflammation de vêtements.
- Une bonne relation entre l'ustensile et le brûleur permettra d'améliorer également l'efficacité de l'appareil.
- Ne laissez jamais les unités de surface sans surveillance lorsque les niveaux de cuisson sont élevés.
- Les débordements entraînent la propagation de fumées et de graisse qui peuvent s'enflammer.
- Les poignées des ustensiles doivent être tournées vers l'intérieur et ne pas dépasser les unités de surface adjacentes.
- Pour réduire le risque de brûlures, d'inflammation de matériaux inflammables et de déversement accidentel dû à un contact involontaire avec l'ustensile, la poignée de l'ustensile doit être positionnée de façon à être tournée vers l'intérieur et ne doit pas s'étendre sur des unités de surface adjacentes.
- Ces plaques de cuisson sont destinées à un **USAGE EXCLUSIVEMENT DOMESTIQUE.**

**- CONSERVEZ CES INSTRUCTIONS -**

# INSTRUCTIONS D'INSTALLATION

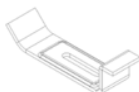
Cet appareil doit être correctement installé et mis à la terre par un technicien qualifié.

## Déballage de la plaque de cuisson

- Déballez soigneusement la plaque de cuisson de son emballage d'expédition. Si possible, conservez le carton d'emballage d'origine et l'emballage de protection au cas où l'appareil doit être retourné pour entretien.
- Identifiez le contenu de l'emballage. Vérifiez que les éléments suivants figurent dans le carton. Appelez immédiatement SUMMIT si l'un des éléments est absent ou endommagé.



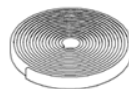
Plaque de cuisson



Support de montage



Vis de montage

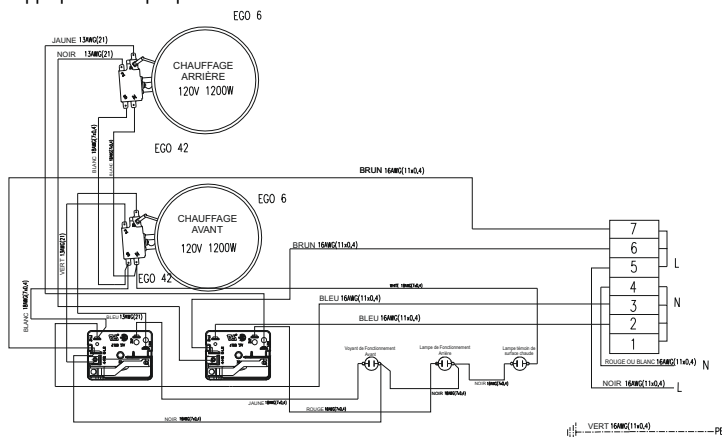


Joint d'étanchéité

- Pièces incluses :
    - Plaque de cuisson en vitrocéramique
    - Support de montage : 2 pièces pour brûleurs simples et doubles et 4 pièces pour trois brûleurs
    - Vis de montage : 2 pièces pour brûleurs simples et doubles et 4 pièces pour trois brûleurs
- Déplacement du matériau d'étanchéité auto-adhésif

## Exigences relatives à l'alimentation électrique

Cet appareil doit être installé conformément aux codes électriques nationaux, étatiques et locaux. Le tableau suivant fournit la tension, l'intensité de courant et la fréquence correctes qui doivent être appliquées à la plaque de cuisson.



Numéro du modèle	Charge maximale connectée	Entrée d'alimentation électrique requise	Taille minimale du câble
CR2110WHE	2 400 Watts	120V CA/20 A/50-60 Hz	#16 AWG
CR2110B	2 400 Watts	120V CA/20 A/50-60 Hz	#16 AWG
CR2220WHE	2 400 Watts	240V CA/10A/50-60 Hz	#16 AWG
CR2220B	2 400 Watts	240V CA/10A/50-60 Hz	#16 AWG

- L'alimentation doit provenir d'un circuit individuel mis à la terre, protégé par un disjoncteur et évalué conformément aux spécifications des différents modèles, tel qu'indiqué dans le tableau ci-dessus.
- Consultez un électricien agréé avant de procéder à l'installation si l'alimentation électrique ne respecte pas les spécifications du produit,

**ATTENTION !** Les installations doivent être conformes à tous les codes électriques nationaux, étatiques et locaux. Le non-respect des codes applicables peut entraîner un incendie, des dommages matériels, des blessures corporelles ou la mort.

### Branchement électrique

- Avant d'installer votre plaque de cuisson, débranchez l'alimentation électrique. Vérifiez que les exigences appropriées en matière d'alimentation électrique ont été respectées. Reportez-vous au tableau ci-dessus pour obtenir des informations relatives aux exigences électriques appropriées.
- La plaque de cuisson est fournie avec un câble d'alimentation long de 40 po pour le raccorder à une boîte de jonction accessible. Le conduit est composé de trois câbles isolés.
  - **Pour les unités de 120 V**, on trouve un conducteur de plomb chaud (cuivre étamé isolé noir), un conducteur de terre isolé (cuivre étamé isolé vert) et un conducteur neutre (cuivre étamé isolé rouge ou blanc).
  - **Pour les unités de 240 V**, on trouve un conducteur de plomb chaud (cuivre étamé isolé noir), un conducteur de terre isolé (cuivre étamé isolé vert) et un conducteur neutre (cuivre étamé isolé rouge ou blanc).

Connectez les fils conducteurs au câblage du domicile conformément aux codes électriques nationaux, étatiques et locaux.



### AVERTISSEMENT

L'appareil entier doit être mis à la terre en permanence lorsque l'alimentation électrique est en marche. Connectez le câble rouge au câble rouge, le câble noir au noir et le vert à la terre. Ne mettez pas l'appareil à la terre avec un câble d'alimentation de maison neutre. Une mise à la terre séparée est obligatoire.

## Préparation du plan de travail

Avant l'installation de votre plaque de cuisson, tenez compte des dimensions et aux dégagements adéquats pour assurer une utilisation et un fonctionnement sans danger. Reportez-vous aux dimensions ci-dessous, conformément à la **Figure 2** :

- A. **Profondeur** maximale des armoires supérieures : 13 po.
- B. **Hauteur** minimale du plan de travail situé au-dessus du sol : 36 po.
- C. **REMARQUE** : La surface minimale du plan de travail plat sur laquelle reposera la plaque de cuisson doit être égale ou supérieure aux dimensions générales de la plaque de cuisson. Reportez-vous aux pages suivantes pour obtenir des informations sur les dimensions générales de la plaque de cuisson.
- D. **dégagement** minimal de 30 po entre le dessus de la surface de cuisson et le dessous d'une armoire en bois ou en métal non protégée ou un dégagement minimal de **24 po** lorsque le dessous d'une armoire en bois ou en métal est protégé par un carton ignifuge de ¼ po d'épaisseur recouvert d'au moins 28 tôles d'acier MSG, **d'acier inoxydable de 0,015 po d'épaisseur, d'aluminium de 0,024 po d'épaisseur ou de cuivre de 0,020 po d'épaisseur.**
- E. **1 po** au moins du dossier du plan de travail au bord de la plaque de cuisson en vitrocéramique. Reportez-vous aux pages suivantes pour obtenir des informations sur les dimensions générales de la plaque de cuisson.

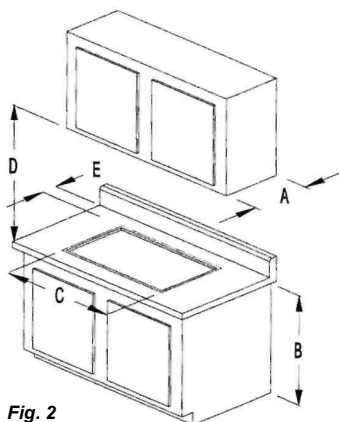


Fig. 2

**ATTENTION !** N'installez pas la plaque de cuisson à plus de ½ po (12 mm) des surfaces adjacentes.

- Vous devez éviter les armoires situées au-dessus de la plaque de cuisson afin d'éliminer les risques de brûlures causées par l'extension au-dessus de la plaque de cuisson chauffée. Si un rangement de l'armoire est nécessaire, le risque de brûlures ou d'incendie peut être réduit en installant une hotte aspirante qui projette au moins 5 po de façon horizontale au-delà du dessous des armoires.
- Avant de passer à la découpe du plan de travail, vérifiez le dégagement. Vérifiez que la plaque de cuisson permettra de dégager un espace entre les murs avant et latéraux de l'armoire de base. Il est également important d'assurer une ventilation suffisante.
- Une ventilation adéquate de l'espace sous le plan de travail doit être fournie pour assurer le bon fonctionnement de la plaque de cuisson. La chaleur transférée du fond de la plaque de cuisson pendant le fonctionnement provoquera la surchauffe d'une zone mal ventilée.

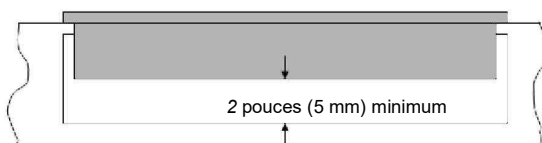
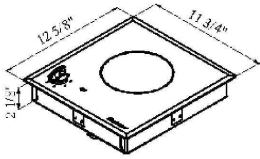


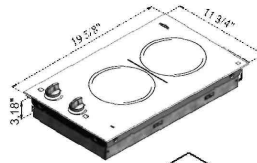
Fig. 3

- Laisser un espace minimal de 2 po entre la plaque métallique de la plaque de cuisson et toute surface combustible située en dessous, c.-à-d. le bord supérieur d'un tiroir installé en dessous du dessus de la plaque de cuisson (voir fig. 3). L'absence de dégagement et de ventilation appropriés peut entraîner un risque d'incendie.

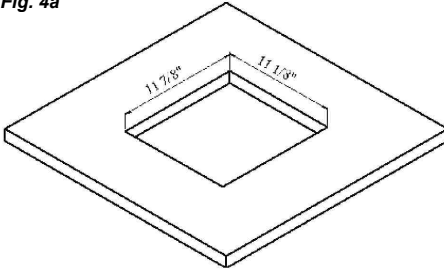
- Les dimensions des tables de cuisson et celles de la découpe du plan de travail pour chaque modèle sont indiquées ci-dessous :



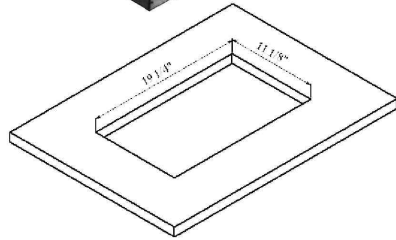
**Fig. 4a**



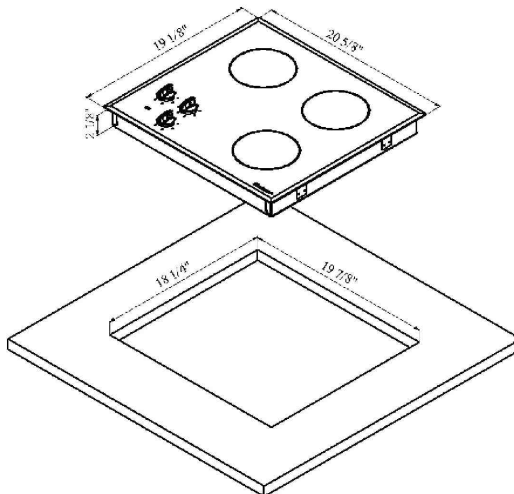
**Fig. 4b**



**CR1115/CR1BV110/LCR1B120B**



<b>CR2110B</b>	<b>CR2BV115BK</b>	<b>LCR2B120BK</b>
<b>CR2110WHE</b>	<b>CR2BV115WHE</b>	<b>LCR2B120WHE</b>
<b>CR2220B</b>	<b>CR2BV230BK</b>	<b>LCR2B230BK</b>
<b>CR2220WHE</b>	<b>CR2BV230WHE</b>	<b>LCR2B230WHE</b>

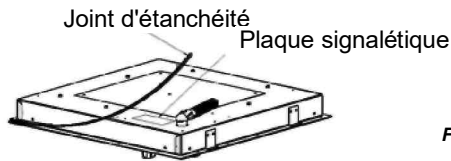


**CR3240/CR3B230/LCR3B230B**

**REMARQUE :** Lorsque vous concevez le plan de travail, **arrondissez** le coin de la découpe (un rayon de 1/4 po est typique). Cela évitera que le plan de travail ne se fissure. Respectez les instructions du fabricant concernant le rayon minimal des coins et le renforcement des coins.

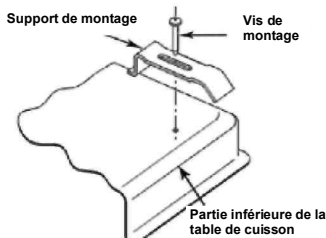
## Installation

1. Fixez le matériau d'étanchéité autoadhésif comme décrit ci-dessous. Le matériau d'étanchéité empêche que le liquide ne s'infilte dans l'armoire. De plus, la plaque de cuisson doit reposer sur le plan de travail à l'aide d'un composé de litière souple qui prévientra les dommages s'il est nécessaire de la retirer plus tard pour l'entretien. Le joint spécial monté prévient ces dommages. Respecter scrupuleusement les instructions suivantes afin d'installer correctement ce joint :
  - a. Détachez les joints de leur support, en vérifiant que la protection transparente adhère toujours au joint lui-même.
  - b. Retournez la plaque de cuisson et positionnez correctement le joint sous le bord de la plaque de cuisson de façon à ce que le côté extérieur du joint s'aligne avec le bord périphérique extérieur de la plaque de cuisson (voir **fig. 5**). Les extrémités des bandes doivent s'emboîter sans se chevaucher.
  - c. Fixez le joint à la plaque de cuisson uniformément et solidement, en l'appuyant qu'elle s'insère en place avec les doigts.

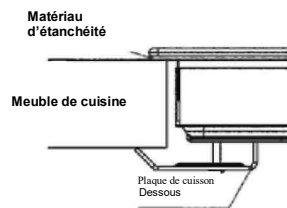


**Fig. 5**

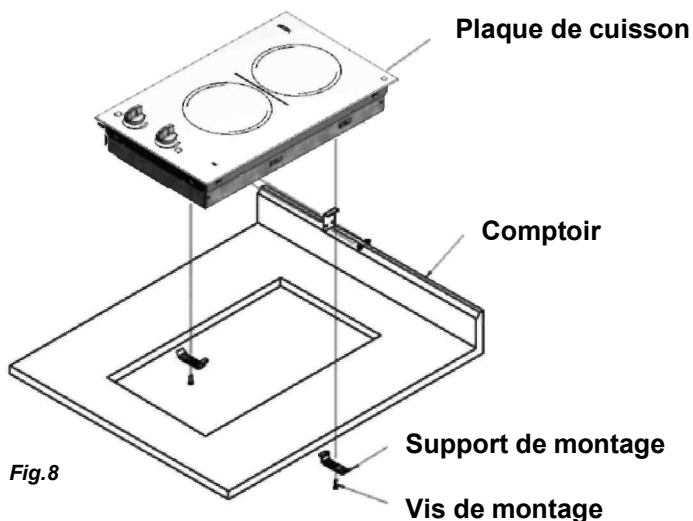
3. Fixez les supports de montage sur la surface inférieure intérieure de la découpe (voir les **Fig. 6-7-8**). Les supports doivent être montés sur des côtés opposés.
4. Centrez le support dans l'ouverture à ras du plan de travail et fixez-le à l'aide de longues vis auto-taraudeuses (inclus).
5. Placez la plaque de cuisson dans l'ouverture découpée et appuyez fermement sur tous les côtés pour sceller le composé de litière.
6. Fixez la plaque de cuisson aux supports par le dessous à l'aide des petites vis à tôle fournies. Deux supports de montage sont disponibles pour les tables de cuisson vitrocéramiques simple et double et quatre supports pour les tables de cuisson vitrocéramiques triple.
7. Ces supports sont conçus pour serrer la plaque de cuisson, puis la sceller sur le plan de travail afin d'éviter tout mouvement de la plaque de cuisson et de fournir une bonne isolation.



**Fig. 6**



**Fig 7**



## FONCTIONNEMENT

Les surfaces de cuisson de votre table de cuisson en vitrocéramique sont identifiées grâce à des motifs permanents se trouvant sur la table de cuisson. Il est possible de maintenir la table de cuisson à un niveau de performance supérieur en suivant les directives d'utilisation et de nettoyage simples ci-dessous.

### Éléments chauffants

Cette table de cuisson contient des éléments chauffants radiants qui s'allumeront environ 4 à 5 secondes après avoir été allumé. La conception spéciale de ces éléments dirige la chaleur à travers la vitrocéramique, assurant une cuisson efficace. Des limiteurs de température sont inclus dans chaque élément pour s'assurer que la plaque de cuisson en vitrocéramique ne dépasse pas la température de fonctionnement sécuritaire. Le limiteur de température activera et désactivera l'élément radiant pour éviter de dépasser la température de surface sécuritaire maximale.

### Ustensile de cuisson

La cuisson sur une plaque de cuisson en vitrocéramique ne nécessite pas de casseroles ou de casseroles spéciales. Comme les ustensiles de cuisine jouent un rôle important dans l'efficacité et la commodité de la cuisson, gardez à l'esprit les informations suivantes lorsque vous sélectionnez vos ustensiles de cuisine.

- Les ustensiles de cuisine doivent avoir un fond plat. Bien que le verre et d'autres types d'ustensiles de cuisine peuvent être utilisés, l'aluminium, l'acier inoxydable et d'autres types d'ustensiles de cuisine en métal, avec des fonds épais, lisses et plats fonctionnent généralement mieux. Évitez les ustensiles de cuisine à fond arrondi et façonné, ainsi que les ustensiles qui se déforment lorsqu'ils sont chauffés.
- Utilisez des ustensiles de cuisine qui sont à peu près aussi larges que la zone de cuisson sur laquelle ils sont utilisés. L'utilisation d'ustensiles de cuisine avec le diamètre correct permet d'atteindre une efficacité de chauffage maximale dans les plus brefs délais.
- Assurez-vous que la surface de plaque de cuisson et le fond de vos casseroles et poêles sont propres et secs avant utilisation. Ainsi, vous aiderez à prévenir les égratignures et les taches.

## Commandes et indicateurs

Les commandes de la zone de cuisson commencent à faible puissance et augmentent la puissance calorifique en faisant passer les éléments chauffants entre ARRÊT et la pleine puissance lorsque vous tournez le bouton dans le sens horaire. Les éléments chauffants resteront à pleine puissance pendant de plus longues périodes et à zéro pendant de plus courtes périodes tant que vous tournez le bouton dans le sens horaire, augmentant ainsi la puissance thermique.

Le voyant situé à côté de chacun des boutons de commande indique le fonctionnement du brûleur et la présence d'une surface chaude. Lorsqu'une commande est en position MARCHÉ, le voyant rouge s'allume pour indiquer lequel des brûleurs est allumé et donc trop chaud pour être touché.

NE placez PAS d'articles autres que des ustensiles de cuisine sur la surface de cuisson lorsque ce voyant est allumé.

# NETTOYAGE

Pour vous assurer que votre plaque de cuisson reste propre, suivez ces conseils d'entretien facile :

- Nettoyez la plaque de cuisson avant de l'utiliser pour la première fois. Un nettoyage approfondi à l'aide d'un nettoyant pour plaque de cuisson recommandé permettra d'appliquer un revêtement sur la plaque de cuisson avant sa première utilisation.
- Retirez toujours les renversements de nourriture, les éclaboussures de graisse et les résidus de métal des ustensiles de cuisine. Le grattoir à lame de rasoir ou un équivalent est très adapté pour enlever les débordements.
- Nettoyez la plaque de cuisson avec une serviette en papier ou un chiffon propre et doux et un nettoyant recommandé. Après le nettoyage, essuyez toujours la plaque de cuisson avec un chiffon propre et humide pour éviter tout résidu de nettoyant cuit. Essuyez la plaque de cuisson.
- N'utilisez pas de torchon ou d'éponge pour essuyer la plaque de cuisson. Un film peut être laissé par le détergent et peut causer la décoloration de la plaque de cuisson.
- Évitez les nettoyants à récurer abrasifs de toute sorte. Évitez également d'utiliser des tampons de nettoyage en plastique, en nylon ou en métal. Ils peuvent se rayer ou fondre sur la plaque de cuisson.
- Évitez les nettoyants chimiques tels que la javel chlorée, l'ammoniaque, l'acide fluorhydrique ou les nettoyants chimiques pour four. Ils peuvent attaquer ou décolorer la surface.
- Ne laissez aucun objet fondant - plastique, papier d'aluminium, sucre, etc. - entrer en contact avec la surface de la plaque de cuisson lorsqu'elle est chaude. Si un objet fond sur la surface, *déplacez-le immédiatement* vers une zone froide de la plaque de cuisson à l'aide d'un grattoir à lame de rasoir, puis retirez-le de la plaque de cuisson dès que possible.

# GARANTIE LIMITÉE

## GARANTIE LIMITÉE D'UN AN

Dans les 48 États contigus des États-Unis, pendant un an à compter de la date d'achat, lorsque cet appareil est utilisé et entretenu conformément aux instructions jointes ou fournies avec le produit, le garant paiera les pièces spécifiées par l'usine et la main-d'œuvre pour corriger les défauts de matériaux ou de fabrication. Le service doit être fourni par une entreprise de services désignée. En dehors des 48 États, toutes les pièces sont garanties pour un an contre les défauts de fabrication. Les pièces, étagères et armoires en plastique sont garanties comme étant fabriquées selon des normes commercialement acceptables et ne sont pas couvertes contre les dommages causés par la manipulation ou la casse.

### **LES ARTICLES QUE LE GARANT NE PAIERA PAS :**

- Les appels de service pour corriger l'installation de votre appareil, pour vous apprendre à utiliser votre appareil, pour remplacer ou réparer les fusibles ou pour corriger le câblage ou la plomberie.
- Appels de service pour la réparation ou le remplacement d'ampoules des appareils électroménagers ou des tablettes en verre cassées. Les pièces consommables (telles que les filtres) sont exclues de la couverture de la garantie.
- Les dommages résultant d'un accident, d'une altération, d'une mauvaise utilisation, d'un abus, d'un incendie, d'une inondation, d'un cas de force majeure, d'une installation inadéquate, d'une installation non conforme aux codes de l'électricité ou de la plomberie, ou de l'utilisation de produits non approuvés par le garant.
- Les coûts des pièces de rechange ou de la main-d'œuvre de réparation pour les unités exploitées à l'extérieur des États-Unis.
- Les réparations de pièces ou de systèmes résultant de modifications non autorisées apportées à l'appareil.
- Le retrait et la réinstallation de votre appareil s'il est installé dans un endroit inaccessible ou s'il n'est pas installé conformément aux instructions d'installation publiées.

### **RENONCIATION AUX GARANTIES IMPLICITES - LIMITATION DES RECOURS**

LE SEUL ET UNIQUE RECOURS DU CLIENT EN VERTU DE LA PRÉSENTE GARANTIE LIMITÉE EST LA RÉPARATION DU PRODUIT CONFORMÉMENT AUX PRÉSENTES. LES GARANTIES IMPLICITES, Y COMPRIS LES GARANTIES DE QUALITÉ MARCHANDE OU D'ADÉQUATION À UN USAGE PARTICULIER, SONT LIMITÉES À UN AN. LE GARANT N'EST PAS RESPONSABLE DES DOMMAGES ACCESSOIRES OU CONSÉCUTIFS. CERTAINS ÉTATS N'AUTORISENT PAS L'EXCLUSION OU LA LIMITATION DES DOMMAGES DIRECTS, INDIRECTS OU ACCIDENTELS OU LES LIMITATIONS SUR LA DURÉE DES GARANTIES IMPLICITES DE QUALITÉ MARCHANDE OU D'ADÉQUATION. DANS CE CAS, CES EXCLUSIONS OU LIMITATIONS NE S'APPLIQUENT PAS AUTOMATIQUÉMENT À VOUS. CETTE GARANTIE VOUS DONNE DES DROITS LÉGAUX SPÉCIFIQUES ET VOUS POUVEZ ÉGALEMENT AVOIR D'AUTRES DROITS, QUI VARIENT D'UN ÉTAT À L'AUTRE.



AVERTISSEMENT : Ce produit peut vous exposer à des produits chimiques, notamment le nickel (métallique), qui est connu dans l'État de Californie pour causer le cancer.

Pour plus d'informations, consultez le site [www.P65Warnings.ca.gov](http://www.P65Warnings.ca.gov)

Remarque : Le nickel est un composant de tous les aciers inoxydables et de certaines autres compositions métalliques.

**Summit Appliance Division de Felix  
Storch, Inc.**  
Une entreprise certifiée ISO 9001:2015  
770 Garrison Avenue  
Bronx, NY 10474  
[www.summitappliance.com](http://www.summitappliance.com)

# SUMMIT

Pour commander des pièces et des accessoires, dépanner et obtenir des conseils utiles, visitez :  
[www.summitappliance.com/suport](http://www.summitappliance.com/suport)