

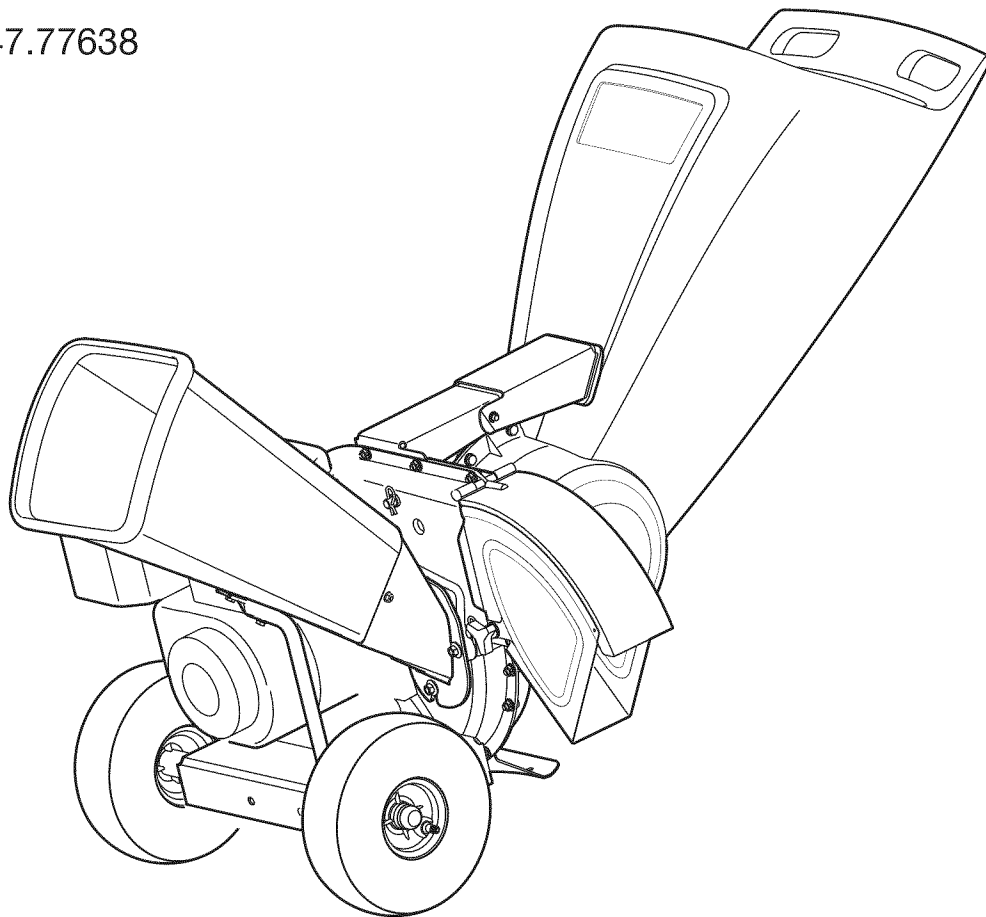
Operator's Manual

CRAFTSMAN[®]

1450 Series Engine

Chipper Shredder

Model No. 247.77638



⚠ CAUTION

Before using this equipment, read this manual and follow all safety rules and operating instructions.

- SAFETY
- ASSEMBLY
- OPERATION
- MAINTENANCE
- PARTS LIST
- ESPAÑOL

Sears Brands Management Corporation, Hoffman Estates, IL 60179 U.S.A.

Visit our website: www.craftsman.com

FORM NO. 769-05040B
07/25/2011

TABLE OF CONTENTS

Warranty Statement.....	Page 2	Trouble Shooting.....	Page 19
Safe Operation Practices.....	Page 3	Parts List.....	Page 20
Safety Labels.....	Page 7	Label Map.....	Page 31
Assembly.....	Page 8	Repair Protection Agreement.....	Page 34
Operation.....	Page 12	Español.....	Page 35
Service and Maintenance.....	Page 14	Service Numbers.....	Back Cover
Off-Season Storage.....	Page 18		

WARRANTY

CRAFTSMAN TWO YEAR FULL WARRANTY

FOR TWO YEARS from the date of purchase, this product is warranted against any defects in material or workmanship. A defective product will receive free repair or replacement if repair is unavailable.

For warranty coverage details to obtain free repair or replacement, visit the web site: www.craftsman.com

This warranty covers ONLY defects in material and workmanship. Warranty coverage does NOT include:

- Expendable items that can wear out from normal use within the warranty period, such as the blades, spark plug, air cleaner, flail screen and catcher bag.
- Product damage resulting from user attempts at product modification or repair or caused by product accessories.
- Repairs necessary because of accident or failure to operate or maintain the product according to all supplied instructions.
- Preventive maintenance, or repairs necessary due to improper fuel mixture, contaminated or stale fuel.

This warranty is void if this product is ever used while providing commercial services or if rented to another person.

This warranty gives you specific legal rights, and you may also have other rights which vary from state to state.

Sears Brands Management Corporation, Hoffman Estates, IL 60179

PRODUCT SPECIFICATIONS

Engine Series:	1450
Engine Oil Type:	SAE 30
Engine Oil Capacity:	28 ounces
Fuel:	Unleaded Gasoline
Spark Plug:	Champion® RC-12YC
Spark Plug Gap:	.030"

MODEL NUMBER

Model Number.....
Serial Number.....
Date of Purchase.....

Record the model number, serial number
and date of purchase above



SAFETY INSTRUCTIONS

WARNING

This symbol points out important safety instructions which, if not followed, could endanger the personal safety and/or property of yourself and others. Read and follow all instructions in this manual before attempting to operate this machine. Failure to comply with these instructions may result in personal injury. When you see this symbol, HEED ITS WARNING!

WARNING

CALIFORNIA PROPOSITION 65

Engine Exhaust, some of its constituents, and certain vehicle components contain or emit chemicals known to State of California to cause cancer and birth defects or other reproductive harm.

DANGER

This machine was built to be operated according to the safe operation practices in this manual. As with any type of power equipment, carelessness or error on the part of the operator can result in serious injury. This machine is capable of amputating fingers, hands, toes and feet and throwing debris. Failure to observe the following safety instructions could result in serious injury or death.

WARNING

Your Responsibility—Restrict the use of this power machine to persons who read, understand and follow the warnings and instructions in this manual and on the machine.

SAVE THESE INSTRUCTIONS!

TRAINING

- Read, understand, and follow all instructions on the machine and in the manual(s) before attempting to assemble and operate. Keep this manual in a safe place for future and regular reference and for ordering replacement parts.
- Read the Operator's Manual and follow all warnings and safety instructions. Failure to do so can result in serious injury to the operator and/or bystanders.
- Be familiar with all controls and their proper operation. Know how to stop the machine and disengage them quickly.
- Never allow children under 16 years of age to operate this machine. Children 16 and over should read and understand the instructions and safe operation practices in this manual and on the machine and be trained and supervised by an adult.
- Never allow adults to operate this machine without proper instruction.
- Keep bystanders, pets, and children at least 75 feet from the machine while it is in operation. Stop machine if anyone enters the area.
- Never run an engine indoors or in a poorly ventilated area. Engine exhaust contains carbon monoxide, an odorless and deadly gas.
- Do not put hands and feet near rotating parts or in the feeding chambers and discharge opening. Contact with the rotating impeller can amputate fingers, hands, and feet.
- Never attempt to unclog either the feed intake or discharge opening, remove or empty bag, or inspect and repair the machine while the engine is running. Shut the engine off and wait until all moving parts have come to a complete stop. Disconnect the spark plug wire and ground it against the engine.

PREPARATION

- Thoroughly inspect the area where the equipment is to be used. Remove all rocks, bottles, cans, or other foreign objects which could be picked up or thrown and cause personal injury or damage to the machine.
- Always wear safety glasses or safety goggles during operation and while performing an adjustment or repair, to protect your eyes. Thrown objects which ricochet can cause serious injury to the eyes.
- Wear sturdy, rough-soled work shoes and close-fitting slacks and shirts. Loose fitting clothes or jewelry can be caught in movable parts. Never operate this machine in bare feet or sandals. Wear leather work gloves when feeding material in the chipper chute.
- Before starting, check all bolts and screws for proper tightness to be sure the machine is in safe working condition. Also, visually inspect machine for any damage at frequent intervals.
- Maintain or replace safety and instructions labels, as necessary.

SAFETY INSTRUCTIONS

Safe Handling of Gasoline:

To avoid personal injury or property damage use extreme care in handling gasoline. Gasoline is extremely flammable and the vapors are explosive. Serious personal injury can occur when gasoline is spilled on yourself or your clothes which can ignite. Wash your skin and change clothes immediately.

- Use only an approved gasoline container.
- Never fill containers inside a vehicle or on a truck or trailer bed with a plastic liner. Always place containers on the ground away from your vehicle before filling.
- When practical, remove gas-powered equipment from the truck or trailer and refuel it on the ground. If this is not possible, then refuel such equipment on a trailer with a portable container, rather than from a gasoline dispenser nozzle.
- Keep the nozzle in contact with the rim of the fuel tank or container opening at all times until fueling is complete. Do not use a nozzle lock-open device.
- Extinguish all cigarettes, cigars, pipes and other sources of ignition.
- Never fuel machine indoors.
- Never remove gas cap or add fuel while the engine is hot or running. Allow engine to cool at least two minutes before refueling.
- Never over fill fuel tank. Fill tank to no more than ½ inch below bottom of filler neck to allow space for fuel expansion.
- Replace gasoline cap and tighten securely.
- If gasoline is spilled, wipe it off the engine and equipment. Move unit to another area. Wait 5 minutes before starting the engine.
- To reduce fire hazards, keep machine free of grass, leaves, or other debris build-up. Clean up oil or fuel spillage and remove any fuel soaked debris.
- Never store the machine or fuel container inside where there is an open flame, spark or pilot light as on a water heater, space heater, furnace, clothes dryer or other gas appliances.

OPERATION

- Do not put hands and feet near rotating parts or in the feeding chambers and discharge opening. Contact with the rotating impeller can amputate fingers, hands, and feet.
- Before starting the machine, make sure the chipper chute, feed intake, and cutting chamber are empty and free of all debris.
- Thoroughly inspect all material to be shredded and remove any metal, rocks, bottles, cans, or other foreign objects which could cause personal injury or damage to the machine.
- If it becomes necessary to push material through the shredder hopper, use a small diameter stick. Do not use your hands or feet.

- If the impeller strikes a foreign object or if your machine should start making an unusual noise or vibration, immediately shut the engine off. Allow the impeller to come to a complete stop. Disconnect the spark plug wire, ground it against the engine and perform the following steps:
 - a. Inspect for damage.
 - b. Repair or replace any damaged parts.
 - c. Check for any loose parts and tighten to assure continued safe operation.
- Do not allow an accumulation of processed material to build up in the discharge area. This can prevent proper discharge and result in kickback of material through the feed opening.
- Do not attempt to shred or chip material larger than specified on the machine or in this manual. Personal injury or machine damage could result.
- Never attempt to unclog either the feed intake or discharge opening while the engine is running. Shut the engine off, wait until all moving parts have stopped, disconnect the spark plug wire and ground it against the engine before clearing debris.
- Never operate without the shredder hopper, chipper chute, or chute deflector properly attached to the machine. Never empty or change discharge bag while the engine is running.
- Keep all guards, deflectors and safety devices in place and operating properly.
- Keep your face and body back and to the side of the chipper chute while feeding material into the machine to avoid accidental kickback injuries.
- Never operate this machine without good visibility or light.
- Do not operate this machine on a paved, gravel or non-level surface.
- Do not operate this machine while under the influence of alcohol or drugs.
- Muffler and engine become hot and can cause a burn. Do not touch.
- Never pick up or carry machine while the engine is running.
- If situations occur which are not covered in this manual, use care and good judgement. Contact 1-800-4-MY-HOME for the location of the nearest Sears Parts & Repair Service Center.

MAINTENANCE & STORAGE

- Never tamper with safety devices. Check their proper operation regularly.
- Check bolts and screws for proper tightness at frequent intervals to keep the machine in safe working condition. Also, visually inspect machine for any damage and repair, if needed.
- Before cleaning, repairing, or inspecting, stop the engine and make certain the impeller and all moving parts have stopped. Disconnect the spark plug wire and ground it against the engine to prevent unintended starting.
- Do not change the engine governor settings or overspeed the engine. The governor controls the maximum safe operating speed of the engine.

SAFETY INSTRUCTIONS

- Maintain or replace safety and instruction labels, as necessary.
- Follow this manual for safe loading, unloading, transporting, and storage of this machine.
- Never store the machine or fuel container inside where there is an open flame, spark or pilot light such as a water heater, furnace, clothes dryer, etc.
- Allow machine to cool at least 5 minutes before storing.
- Always refer to the operator's manual for proper instructions on off-season storage.
- If the fuel tank has to be drained, do this outdoors.
- Observe proper disposal laws and regulations for gas, oil, etc. to protect the environment.
- According to the Consumer Products Safety Commission (CPSC) and the U.S. Environmental Protection Agency (EPA), this product has an *Average Useful Life* of seven (7) years, or 60 hours of operation. At the end of the *Average Useful Life* have the machine inspected annually by an authorized service dealer to ensure that all mechanical and safety systems are working properly and not worn excessively. Failure to do so can result in accidents, injuries or death.

DO NOT MODIFY ENGINE

To avoid serious injury or death, do not modify engine in any way. Tampering with the governor setting can lead to a runaway engine and cause it to operate at unsafe speeds. Never tamper with factory setting of engine governor.

NOTICE REGARDING EMISSIONS

Engines which are certified to comply with California and federal EPA emission regulations for SORE (Small Off Road Equipment) are certified to operate on regular unleaded gasoline, and may include the following emission control systems: Engine Modification (EM), Oxidizing Catalyst (OC), Secondary Air Injection (SAI) and Three Way Catalyst (TWC) if so equipped.

SPARK ARRESTOR

WARNING

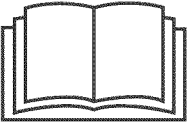


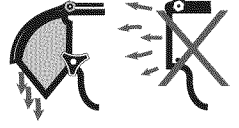

This machine is equipped with an internal combustion engine and should not be used on or near any unimproved forest-covered, brushcovered or grass-covered land unless the engine's exhaust system is equipped with a spark arrester meeting applicable local or state laws (if any)

If a spark arrester is used, it should be maintained in effective working order by the operator. In the State of California the above is required by law (Section 4442 of the California Public Resources Code). Other states may have similar laws. Federal laws apply on federal lands. A spark arrester for the muffler is available through your nearest Sears Parts and Repair Service Center.

SAFETY INSTRUCTIONS

SAFETY SYMBOLS

This page depicts and describes safety symbols that may appear on this product. Read, understand, and follow all instructions on the machine before attempting to assemble and operate.

Symbol	Description
	READ THE OPERATOR'S MANUAL(S) Read, understand, and follow all instructions in the manual(s) before attempting to assemble and operate
	WARNING— ROTATING BLADES Keep hands out of inlet and discharge openings while machine is running. There are rotating blades inside
	BYSTANDERS Keep bystanders, pets, and children at least 75 feet from the machine while it is in operation. Stop machine if anyone enters the area.
	WARNING— THROWN DEBRIS Never operate without the chute deflector properly attached to the machine.
	EYE PROTECTION Always wear safety glasses or safety goggles when operating this machine.



WARNING: Your Responsibility—Restrict the use of this power machine to persons who read, understand and follow the warnings and instructions in this manual and on the machine.

SAVE THESE INSTRUCTIONS!

SAFETY LABELS



CLEAN-OUT TOOL

1. KEEP AWAY FROM ROTATING IMPELLER AND AUGER. CONTACT WITH IMPELLER OR AUGER CAN AMPUTATE HANDS AND FEET.
2. USE CLEAN-OUT TOOL TO UNCLOG DISCHARGE CHUTE.
3. DISENGAGE CLUTCH LEVERS, STOP ENGINE, AND REMAIN BEHIND HANDLES UNTIL ALL MOVING PARTS HAVE STOPPED BEFORE UNCLOGGING OR SERVICING MACHINE.
4. TO AVOID THROWN OBJECTS INJURIES, NEVER DIRECT DISCHARGE AT BYSTANDERS, USE EXTRA CAUTION WHEN OPERATING ON GRAVEL SURFACES.
5. READ OPERATOR'S MANUAL.

! DANGER



AVOID INJURY FROM ROTATING AUGER - KEEP HANDS, FEET AND CLOTHING AWAY.

! DANGER



- NEVER PUT HAND IN CHUTE. CONTACT WITH ROTATING PARTS CAN AMPUTATE FINGERS AND HANDS.
- SHUT OFF ENGINE AND WAIT UNTIL ALL MOVING PARTS HAVE STOPPED BEFORE UNCLOGGING.
- USE CLEAN-OUT TOOL OR WOODEN STICK TO UNCLOG DISCHARGE CHUTE.

ASSEMBLY

IMPORTANT: This unit is shipped without gasoline or oil in the engine. Be certain to service engine with gasoline and oil as instructed in the Operation section of this manual before operating your machine.

NOTE: Reference to right and left hand side of the Chipper Shredder is observed from the operating position.

OPENING CARTON

1. Cut each corner of the carton vertically from top to bottom.
2. Remove all loose parts.
3. Remove loose packing material.

REMOVING UNIT FROM CARTON

1. Lift unit from the rear to detach it from underlying carton material and roll unit out of carton.
2. Check carton thoroughly for any other loose parts.

LOOSE PARTS IN CARTON

- Hopper Assembly
- Bag
- Chute Deflector
- Chipper Chute
- Tamper
- Safety Glasses
- Engine Oil
- Operator's Manual

ATTACHING THE HOPPER ASSEMBLY

1. A. Remove six hex nuts and washers from the weld studs on the impeller housing. Do not remove support plate. See Figure 1.
B. Place hopper assembly into position in front of impeller housing, aligning holes in hopper assembly collar with weld studs.
C. Slide hopper assembly onto weld studs and replace washers and hex nuts. Do not tighten completely.
2. A. Lift hopper assembly up to impeller bracket assembly. See Figure 2.
B. Slide the release rod out slightly to hook the hopper bracket onto the rod. See Figure 2.
C. Tighten the six hex nuts that secure hopper assembly to impeller housing and also tighten the hex nuts that secure hopper bracket to hopper assembly.

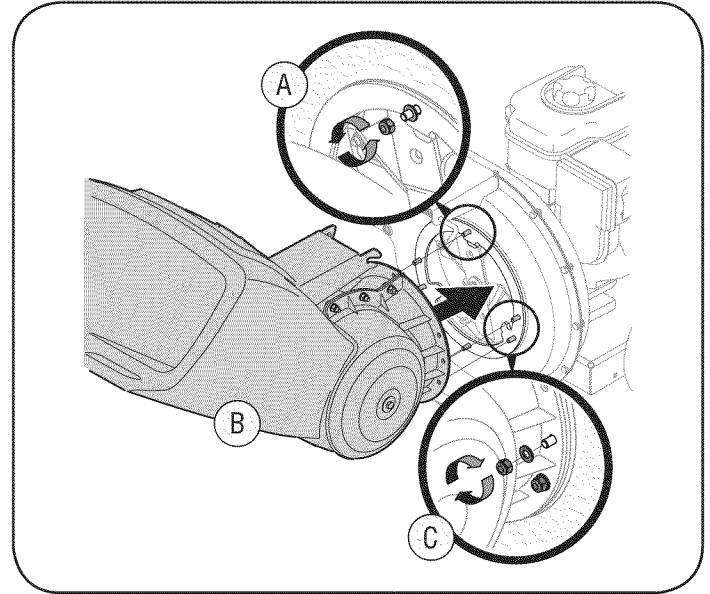


Figure 1

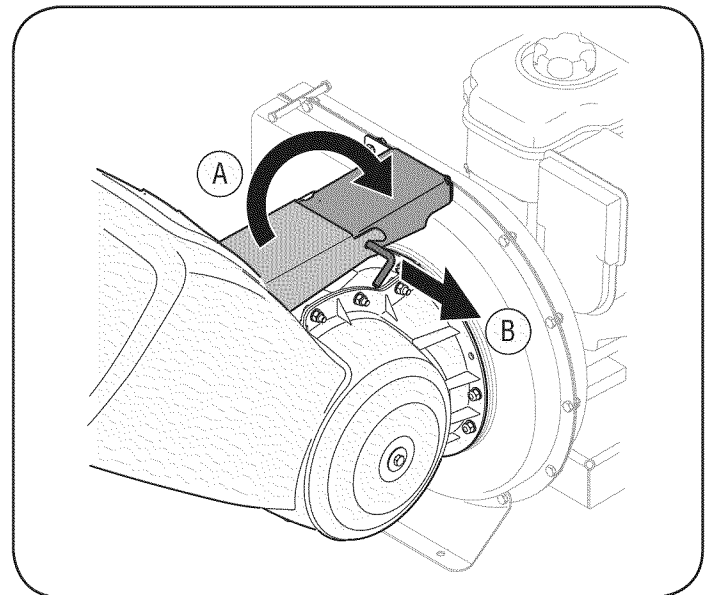


Figure 2

ASSEMBLY

ATTACHING THE CHUTE DEFLECTOR

1. A. Remove the wing knobs from each side of the lower impeller housing. See Figure 3.

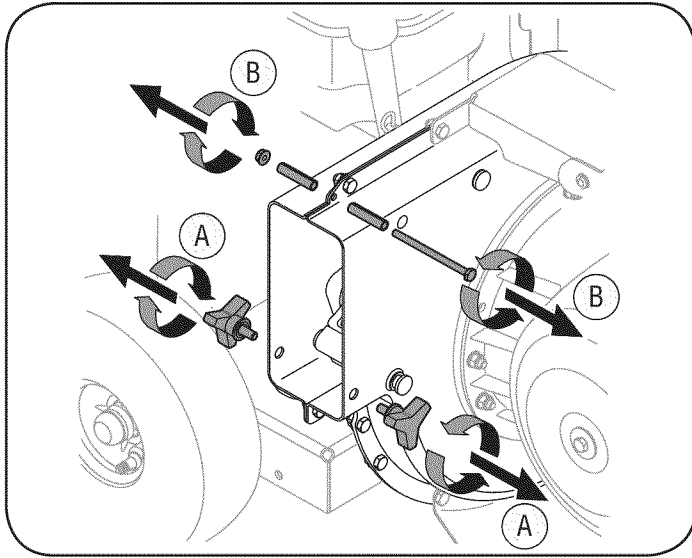


Figure 3

2. A. Align the chute deflector in position on the discharge opening and insert hex bolt with spacer through hinge on chute deflector (spacers fit inside of hinges). See Figure 4.

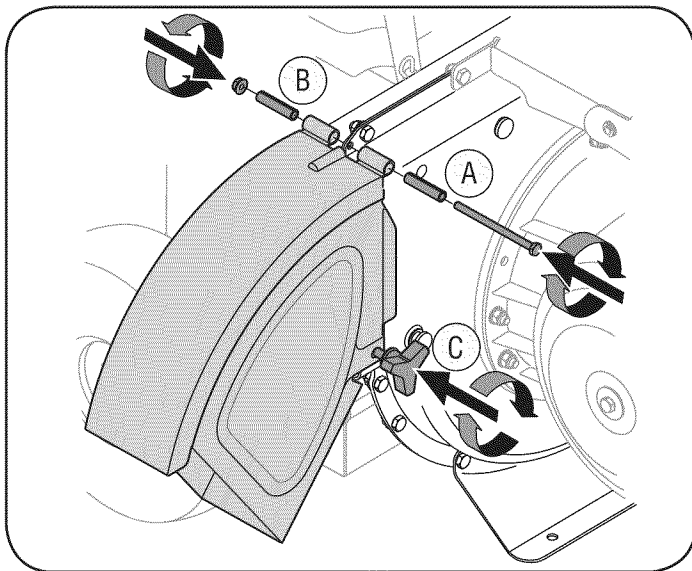


Figure 4

- B. Place second spacer over hex bolt inside other hinge and secure with hex lock nut.
- C. Secure both sides of chute deflector to impeller housing using wing knobs previously removed.

ATTACHING THE CHIPPER CHUTE

1. A. Remove the three cupped washers and hex nuts from weld studs around the opening on the side of the impeller housing. See Figure 5.

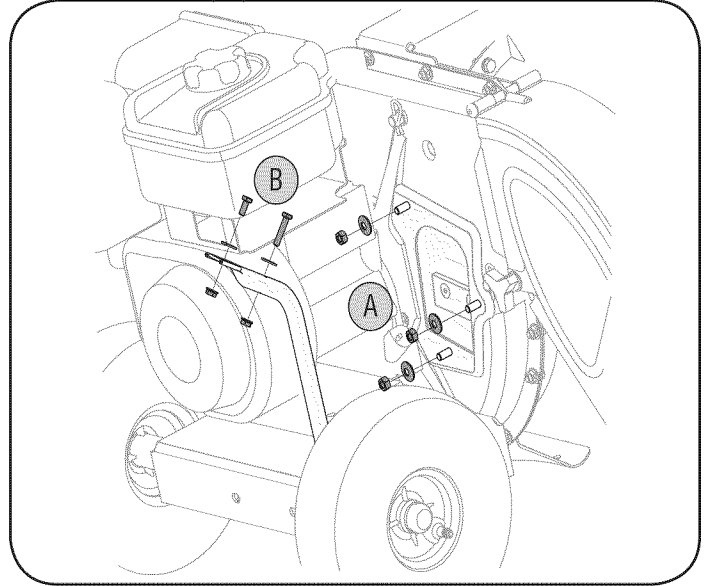


Figure 5

2. A. Align the chipper chute over the weld studs, so the slot in the bottom of the chute is facing down. See Figure 6.

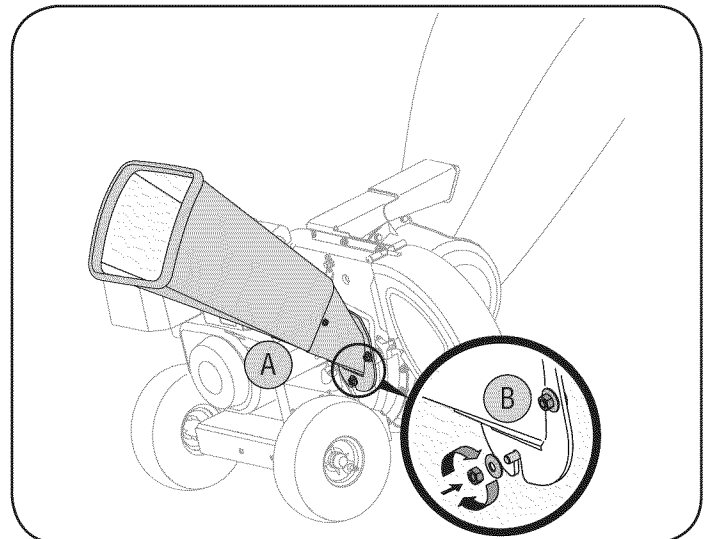


Figure 6

- B. Secure chipper chute with the three cupped washers (cupped side against the chipper chute) and hex nuts previously removed. Do not tighten the nuts at this time.

ASSEMBLY

3. The chipper shredder was shipped with one end of the support brace already secured to the lower frame. Loosen but do not remove the bolts securing the brace to the frame.

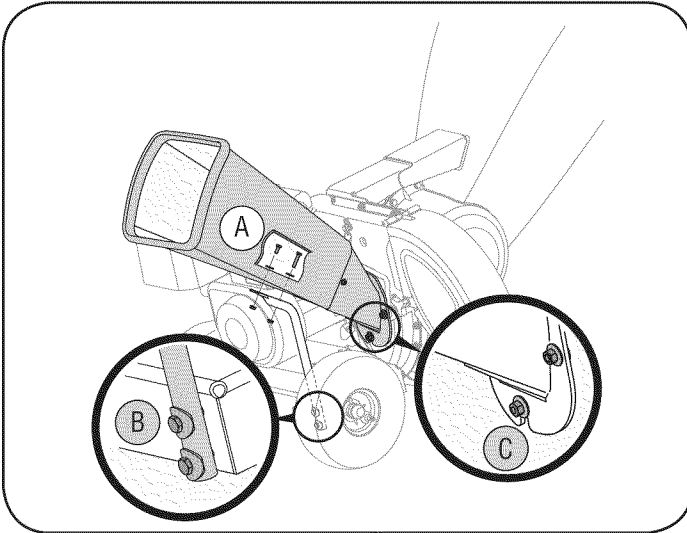


Figure 7

- A. Align the holes in the chute with the holes in the top of the brace and attach brace to chipper chute with hardware previously removed. The flat washers should be placed under the bolt heads and against the inside surface of the plastic chipper chute. Tighten securely. See Figure 7.
- B. Tighten the bolts securing the support brace to the frame.
- C. Tighten the three nuts on the weld studs holding the chipper chute to the impeller housing.

ATTACHING THE BAG

1. To attach the bag:
 - A. Place the opening of the bag completely over the chute deflector.
 - B. Pull on the drawstring until the bag is tight around chute deflector opening.
 - C. Clip drawstring back on itself, tight against chute deflector to secure into position. See Figure 8.

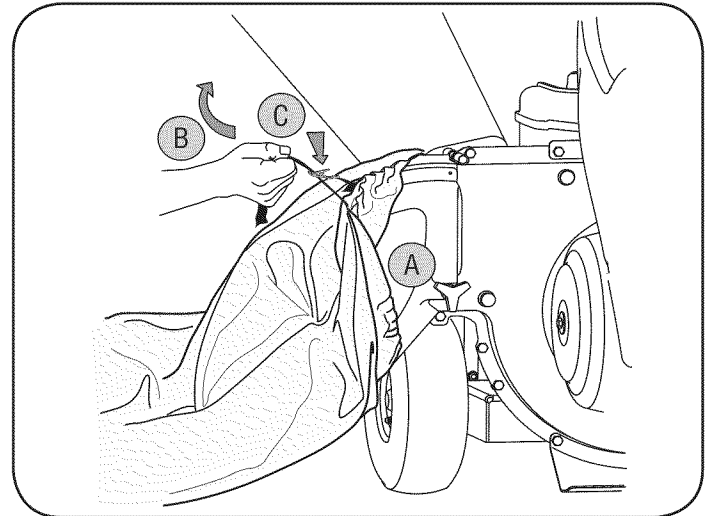


Figure 8

OPERATION

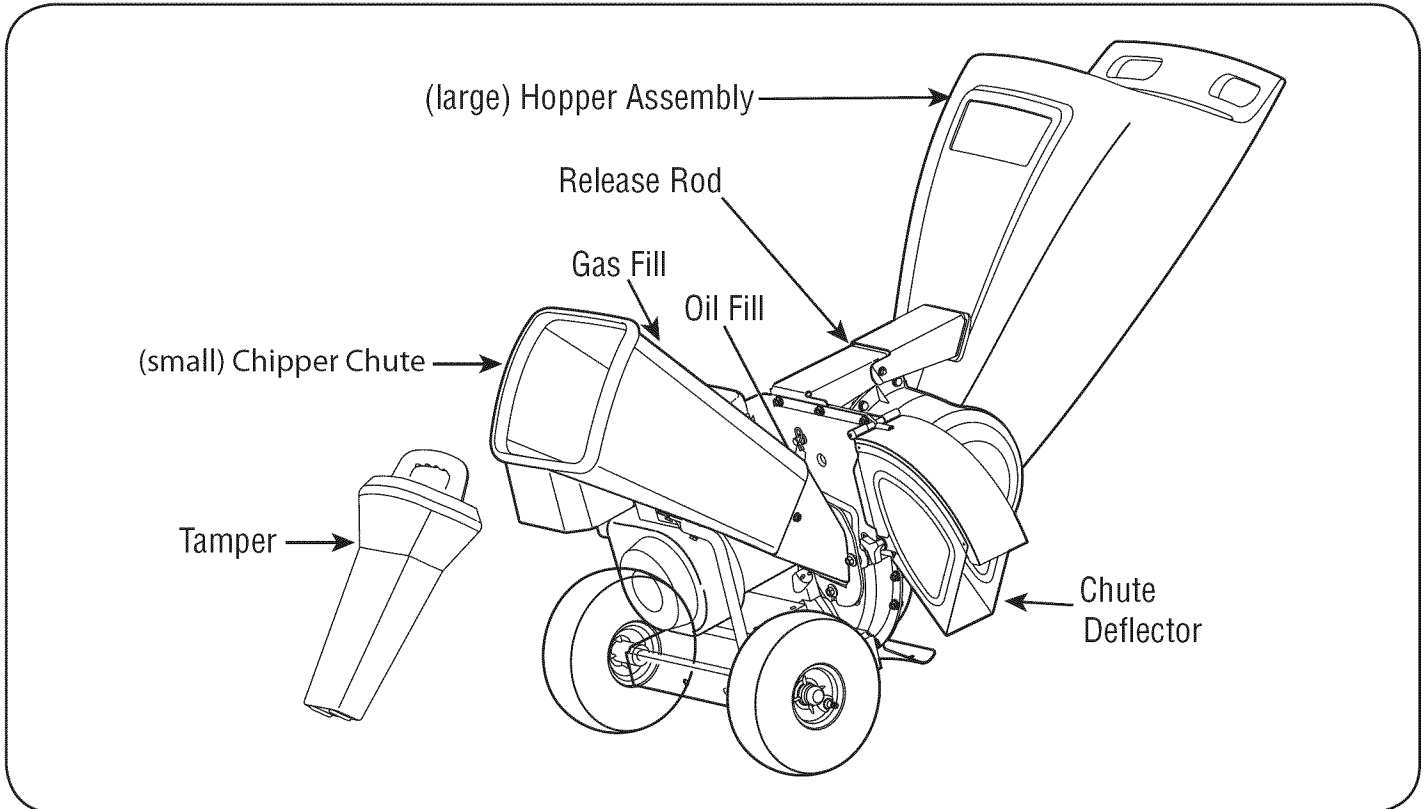


Figure 9

Now that you have set up your chipper shredder for operation, get acquainted with its controls and features. These are described below and illustrated on this page. This knowledge will allow you to use your new equipment to its fullest potential.

CHIPPER CHUTE

Allows twigs and small branches up to 3" in diameter to be fed into the impeller for chipping. See Figure 9.

HOPPER ASSEMBLY

Allow leaves and small branches up to 1/2 diameter to be fed into the impeller for chipping and shredding. Material can be raked into hopper assembly by lowering the hopper assembly. See Figure 9.

RELEASE ROD

The release rod is located on the impeller bracket assembly and it is used to release or lock the hopper when raising or lowering. See Figure 9.

CHUTE DEFLECTOR

Chipped and shredded debris is discharged out the chute deflector. The unit may be operated with or without the collection bag attached to the chute deflector. See Figure 9.

⚠ WARNING

The operation of any chipper shredder can result in foreign objects being thrown into the eyes, which can damage your eyes severely. Always wear the safety glasses provided with this unit or eye shields before chipping or shredding and while performing any adjustments or repairs.

TAMPER

This plug is inserted into the chipper chute to push twigs and small branches towards the impeller blades without endangering your hands.

THROTTLE CONTROL

This lever controls the engine speed and stop function. Through three separate positions on the lever from left to right, the operation is as follows:



Start/ Run



Slow/ Idle



Engine Off

CHOKER CONTROL

The choke control is used to choke the carburetor and assist in starting the engine.

Meets ANSI Safety Standards

Craftsman Yard Vacuums conform to the safety standard of the American National Standards Institute (ANSI).

OPERATION

GAS AND OIL FILL-UP

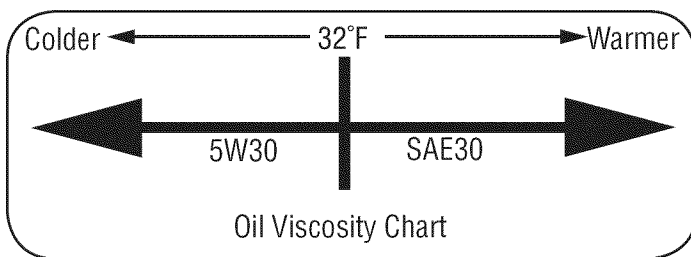
Oil (one bottle shipped with unit)

First Time Use

1. Remove oil fill plug.
2. With the chipper shredder on level ground, use a funnel to empty entire contents of oil bottle provided into the engine.
3. Replace oil fill plug and tighten.

Subsequent Uses

Only use high quality detergent oil rated with API service classification SF, SG, or SH. Select the oil's SAE viscosity grade according to the expected operating temperature. Follow the chart below.



Although multi-viscosity oils (5W30, 10W30, etc.) improve starting in cold weather, they will result in increased oil consumption when used above 32°F. Check your engine oil level more frequently to avoid possible engine damage from running low on oil.

1. Check the oil level by removing the oil fill plug and looking into the oil fill hole. Oil should be visible up to the threads of the oil fill plug, almost to the point of overflowing. Fill if necessary. Capacity is approximately 28 oz. Overfilling can cause a hazardous situation, be sure to wipe up any spilled or excess oil.
2. Replace oil fill plug and tighten.
3. Keep oil level at FULL. Running the engine with too little oil can result in permanent engine damage.

Gasoline

⚠ WARNING

Use extreme care when handling gasoline. Gasoline is extremely flammable and the vapors are explosive. Never fuel machine indoors or while the engine is hot or running. Extinguish cigarettes, cigars, pipes, and other sources of ignition.

1. Remove fuel cap from the fuel tank.
2. Make sure the container from which you will pour the gasoline is clean and free from rust or foreign particles. Never use gasoline that may be stale from long periods of storage in its container. Gasoline that has been sitting for any period longer than four weeks should be considered stale.
3. Fill fuel tank with clean, fresh, unleaded regular gasoline only. Do not use gasoline containing METHANOL. Replace fuel cap.

⚠ CAUTION

Alcohol blended fuels (called gasohol or using ethanol or methanol) can attract moisture which leads to separation and formation of acids during storage. Acidic gas can damage the fuel system of an engine while in storage.

⚠ CAUTION



To avoid engine problems, the fuel system should be emptied before storage for 30 days or longer. Drain the gas tank, start the engine and let it run until the fuel lines and carburetor are empty. Use fresh fuel next season. See STORAGE Instructions for additional information.

⚠ CAUTION

Never use engine or carburetor cleaner products in the fuel tank or permanent damage may occur.

NOTE: Check the fuel level periodically to avoid running out of gasoline while operating the chipper shredder. If the unit runs out of gas as it is chipping, it may be necessary to unclog the discharge area before it can be restarted. Refer to SERVICE AND MAINTENANCE section.

TO START ENGINE

1. Attach spark plug wire and rubber boot to spark plug.
2. Fill tank to no more than 1/2 inch below bottom of filler neck to provide space for fuel expansion.
3. Turn the fuel shut-off valve to the ON position.
4. Move the choke lever on the engine to CHOKE  position. (A warm engine may not require choking.) See Figure 10.
5. Move throttle control to START/RUN (Rabbit)  position. See Figure 10.
6. Standing behind the unit, grasp starter handle and pull rope out until you feel a drag.

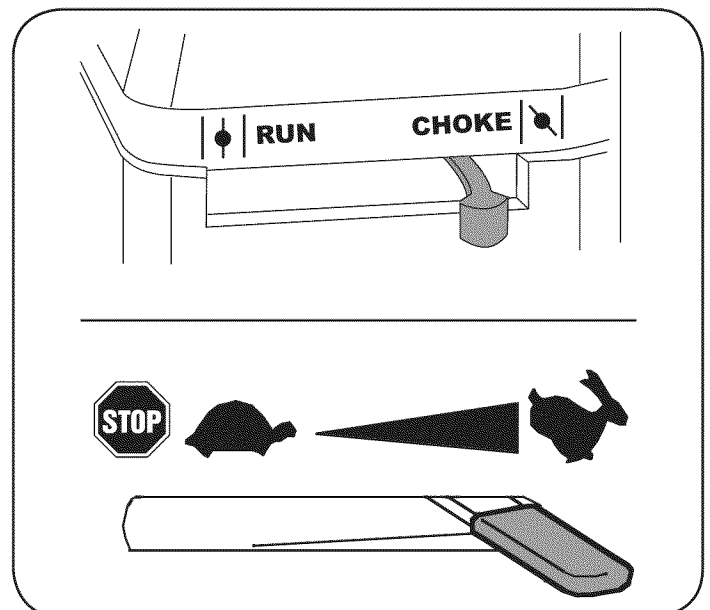






Figure 10

OPERATION

NOTE: You will hear a noise as the engine finds the start of the compression cycle. The noise is caused by the chipping and shredding flails, and you will hear it until the engine impeller reaches full speed.

7. Pull the rope with a rapid, continuous, full arm stroke. Keep a firm grip on the starter handle. Let the rope rewind slowly.
8. Repeat, if necessary, until engine starts. When engine starts, move choke control gradually toward the RUN  position..
9. If engine falters, move choke control back toward the CHOKE  position and repeat steps 5 through 8.
10. ALWAYS keep the throttle control in the START/RUN position when operating the chipper shredder.

TO STOP ENGINE

1. Move throttle control lever to slow (turtle)  position. Whenever possible, gradually reduce engine speed before stopping engine.
2. Move throttle control lever to STOP  or OFF position.
3. Turn the fuel shut-off valve to the OFF position.
4. Disconnect spark plug wire and ground it against the engine to prevent accidental starting while the equipment is unattended.

SHREDDING

Yard waste such as leaves and pine needles can be placed in the hopper for shredding. After material has been processed by the shredder blade and flails, it will be forced out of the chute deflector, and, if attached, into a debris collection bag.

Observe the following guidelines when shredding yard debris:

- Never attempt to shred material other than normal yard debris (leaves, twigs, pine cones, etc.).
- Avoid shredding fibrous plants such as tomato vines, palm fronds, etc., until they are thoroughly dried out. Fresh vines do not shred well and tend to wrap themselves around the impeller and flails.
- Place reasonable amounts of debris into the hopper at a time. Do not overload the hopper.
- Allow the material in the hopper to be drawn into the blades and shredded before adding additional debris to the hopper. Failure to do so may result in a clogged hopper, clogged chute deflector or a stalled engine.

CHIPPING

Branches up to 3" in diameter can be fed into the chipper chute. Observe the following guidelines when chipping branches:

- Keep both hands firmly on the branch as you feed it into the chipper chute.
- Never feed more than one branch into the chipper chute at a time.
- Never feed anything other than branches (or wood) into the chipper chute.
- Apply intermittent pressure (force, in short pulses) while feeding larger (3-inch diameter) branches into the chipper chute, to avoid bogging or stalling the engine.

IMPORTANT: Never feed branches with a diameter greater than three (3) inches into the chipper chute. Doing so can result in serious damage to your unit's chipper blades, flails or impeller.

NOTE: For best performance, always operate the unit with sharp chipper blades. If a noticeable loss in performance is encountered while chipping branches, the chipper blades should be replaced.

LOWERING THE HOPPER ASSEMBLY

1. With one hand grasp the handle at the top of the hopper assembly and lift slightly.
2. With the other hand pull out on the release rod and lower the hopper assembly to the ground.

TO EMPTY BAG

1. Un-clip drawstring and loosen bag from chute deflector opening.
2. Empty bag and reattach to the discharge chute opening. Pull on the drawstring until the bag is tight around the chute opening and clip the drawstring tight against the chute deflector.

IMPORTANT: The flail screen is located inside the housing in the discharge area. If the flail screen becomes clogged, remove and clean as instructed in the Service and Maintenance section. For best performance, it is also important to keep the chipper blades sharp.

SERVICE AND MAINTENANCE

MAINTENANCE SCHEDULE

⚠ WARNING

Before performing any type of maintenance/service, disengage all controls and stop the engine. Wait until all moving parts have come to a complete stop. Disconnect spark plug wire and ground it against the engine to prevent unintended starting. Always wear safety glasses during operation or while performing any adjustments or repairs.

Follow the maintenance schedule given below. This chart describes service guidelines only. Use the Service Log column to keep track of completed maintenance tasks. **To locate the nearest Sears Service Center or to schedule service, simply contact Sears at 1-800-4-MY-HOME®.**

Interval	Item	Service	Service Log
Each Use	1. Engine oil level 2. Loose or missing hardware 3. Unit and engine.	1. Check 2. Tighten or replace 3. Clean	
1st 5 - 8 hours	1. Engine oil	1. Change	
25 hours	1. Engine oil† 2. Air cleaner 3. Control linkages and pivots	1. Change 2. Replace 3. Lube with light oil	
Annually or 50 hours	1. Engine oil 2. Muffler	1. Change 2. Inspect	
Annually or 100 hours	1. Spark plug	1. Clean, check and reset gap, or replace spark plug.	
Before Storage	1. Fuel system	1. Run engine until it stops from lack of fuel or add a gasoline additive to the gas in the tank.	

† Under heavy load or in high temperatures

⚠ WARNING

Always stop engine and disconnect spark plug wire before performing any maintenance or adjustments. Always wear safety glasses during operation or while performing any adjustments or repairs.

GENERAL RECOMMENDATIONS

- Always observe all safety rules found on product labels and in this operator's manual when performing any maintenance. Safety rules can be found on the product labels and in this Operator's Manual beginning on page 3.
- The warranty on this chipper shredder does not cover items that have been subjected to operator abuse or negligence. To receive full value from warranty, operator must maintain the equipment as instructed here.
- Some adjustments will have to be made periodically to maintain your unit properly.
- Periodically check all fasteners and make sure these are tight.

ENGINE MAINTENANCE

Checking the Spark Plug

Clean spark plug and reset the electrode gap to 0.030" at least once a season; replace every 100 hours of operation.

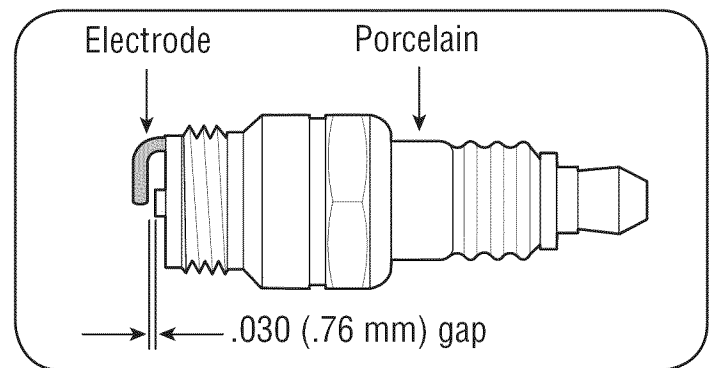


Figure 11

- Clean area around the spark plug base. Do not sandblast spark plug. Spark plug should be cleaned by scraping or wire brushing and washing with a commercial solvent.
- Remove and inspect the spark plug. Check gap to make sure it is set at .030". See Figure 11.
- Replace the spark plug if electrodes are pitted, burned, or the porcelain is cracked.

SERVICE AND MAINTENANCE

Servicing the Air Cleaner

⚠ CAUTION

Do not use pressurized air or solvents to clean the air cleaner cartridge.

The air cleaner prevents damaging dirt, dust, etc., from entering the carburetor and being forced into the engine and is important to engine life and performance. Never run the engine without an air cleaner completely assembled.

Replace the air cleaner every 25 hours of operation.

1. Loosen screws that hold the air filter cover.
2. Open cover and remove air filter. See Figure 12.

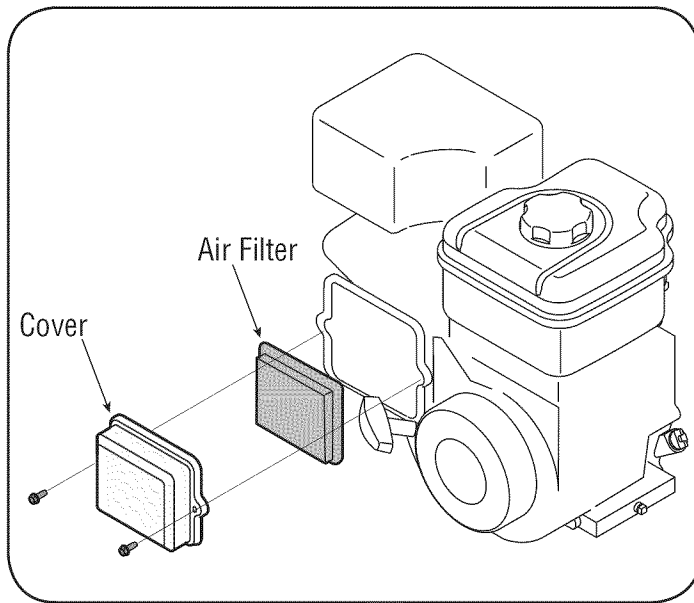


Figure 12

3. Discard old air filter.
4. Install new air filter.
5. Close the cover and tighten screws.

NOTE: If the filter is torn or damaged in any way, replace it.

Check Engine Oil

1. Make sure engine is level and the area around oil fill cap is clean.
2. Remove oil fill cap.
3. Oil should be near the top of the oil fill cap threads, almost to the point of overflowing

Change Engine Oil

- Only use high quality detergent oil rated with API service classification SF, SG, or SH. Select the oil's SAE viscosity grade according to the expected operating temperature. Refer to operation section for viscosity chart.
- Change engine oil after the first five to eight hours of operation, and every fifty hours or every season thereafter. Change oil every twenty five hours when operating engine under heavy load or in high temperatures.

To Drain Oil

1. Run the engine to warm the oil.
2. With engine OFF but still warm, disconnect the spark plug wire and keep it away from spark plug.
3. Remove oil drain cap located at the base of the engine, and drain oil into an appropriate receptacle. See Figure 13.

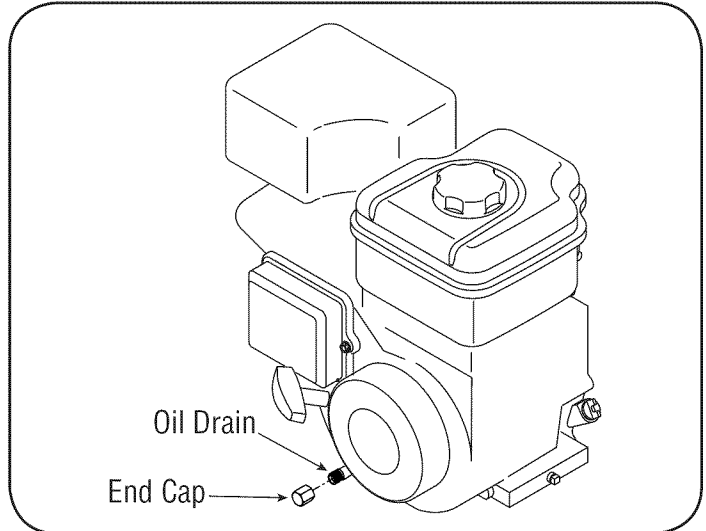


Figure 13

⚠ CAUTION

Used oil is a hazardous waste product. Dispose of used oil properly. Do not discard with household waste. Check with your local authorities or Sears Service Center for safe disposal/recycling facilities.

4. When engine is drained of all oil, replace and tighten the oil drain cap.
5. With the engine level, refill with approximately 28 oz. of fresh oil. Fill the oil up into the threads of the oil fill plug, almost to the point of overflowing.
6. Replace the oil fill plug and wipe up any oil that may have spilled or overflowed.
7. Replace spark plug wire before starting.

SERVICE AND MAINTENANCE

Service Muffler

⚠ WARNING

Temperature of muffler and nearby areas may exceed 150° F (65°C). Avoid these areas.

- Inspect muffler every 50 hours, and replace if necessary. Replacement parts for the muffler must be the same and installed in the same position as the original parts.

Clean Engine

- Daily or before every use, clean grass, chaff or accumulated debris from engine. Keep linkage, spring, and controls clean. Keep area around and behind muffler free of any combustible debris.
- Keeping engine clean allows air movement around engine.
- Engine parts should be kept clean to reduce the risk of overheating and ignition of accumulated debris.

⚠ CAUTION

Do not use water to clean engine parts. Water could contaminate fuel system. Use a brush or dry cloth.

Carburetor Adjustment

The carburetor on this engine is not adjustable.

Engine Speed

LUBRICATION

⚠ WARNING

Do not attempt to alter the engine speed by tampering with the engine's governor linkage. Doing so could result in serious personal injury and damage to the engine. The engine RPM has been set at the factory.

- **Hopper Assembly-** Lubricate the pivot points on the hopper assembly with light oil once a season.
- **Discharge Chute-** Lubricate the pivot points on the discharge chute with light oil once a season.
- **Release Rod-** Lubricate the release rod and spring with light oil once a season.

CLEAN EQUIPMENT

- Clean the chipper shredder thoroughly after each use.
- Wash bag periodically with water. Allow to dry thoroughly in shade.
- If the flail screen becomes clogged, remove and clean as instructed below.

NOTE: Cleaning with a forceful spray of water is not recommended as it could contaminate the fuel system.

REMOVING THE FLAIL SCREEN

⚠ WARNING

Before performing any type of maintenance on the machine, wait for all parts to stop moving and disconnect the spark plug wire. Failure to follow this instruction could result in personal injury or property damage.

If the discharge area becomes clogged, remove the flail screen and clean area as follows:

1. Stop the engine. Make certain the chipper shredder has come to a complete stop.
2. Disconnect spark plug wire from spark plug and ground against the engine.
3. A. Remove the bag and two wing knobs on each side of the chute deflector. See Figure 14.

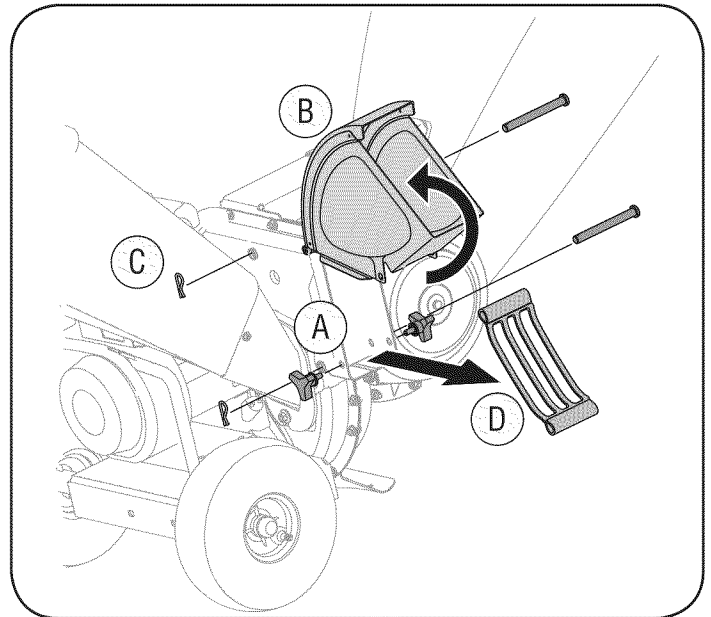


Figure 14

- B. Lift the chute deflector up to keep it out of the way.
- C. Remove the two hairpin clips from each clevis pin which extend through the housing and remove pins.
- D. Remove the shredder screen from inside the housing and clean the screen by scraping or washing with water. See Fig. 14.
4. Reinstall the screen, making certain to reassemble the flail screen with the curve side down.
5. Reattach the chute deflector with the hardware previously removed and connect the bag to unit.

SHARPENING OR REPLACING CHIPPER BLADES

1. Disconnect the spark plug wire and ground against the engine.
2. Remove the flail screen as instructed in the previous section.
3. Remove the chipper chute by removing three hex nuts and washers.
4. Remove the chipper chute support brace from the frame by

SERVICE AND MAINTENANCE

- removing the hex bolts.
5. Rotate impeller assembly by hand until you locate one of two chipper blades in the chipper chute opening.
 6. Remove the blade by removing the internal hex screws, lock washers, and hex nuts which secure it to the impeller. Retain the

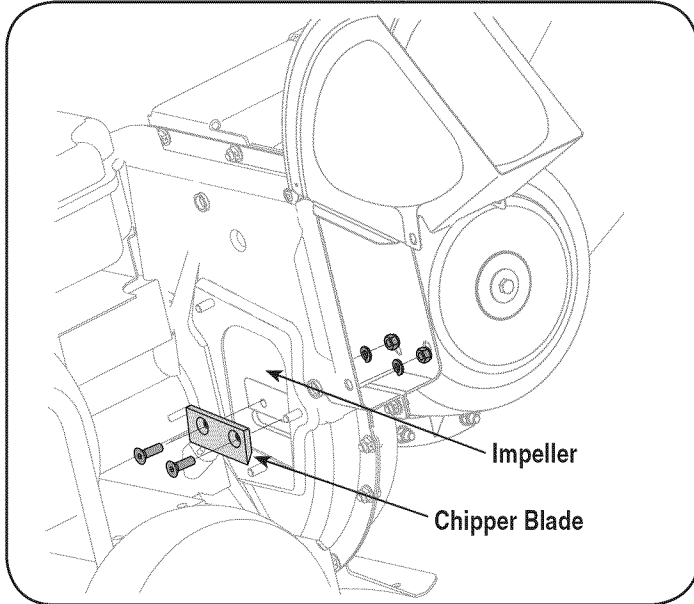


Figure 15

hardware. See Figure 15.

NOTE: Use a 3/16" hex key (Allen) wrench on the outside of the blade and a 1/2" box (or socket) wrench on the inside of the impeller. Hold the Allen wrench stationary and rotate the box (or socket) wrench to loosen the nut.

7. Install a replacement blade (Part No. 742-0544) with the hardware removed earlier or sharpen and replace existing blade.

IMPORTANT: When sharpening the blade, protect hands by using gloves. Follow the original angle of grind and make sure to remove an equal amount from each blade.

8. To replace the other blade, rotate the impeller to expose the second blade and repeat the steps above.

NOTE: Make certain blades are reassembled with the sharp edge facing the same direction as when removed. Torque hardware to 250 - 300 in. lbs.

⚠ WARNING

The impeller's chipper blades and shredder blade are sharp. Wear leather work gloves to protect your hands.

SHARPENING OR REPLACING THE SHREDDER BLADE

1. Stop the engine and make certain that all moving parts have come to a complete stop.
2. Disconnect the spark plug wire and ground against the engine.
3. Lower the hopper assembly and place a block under the flail housing.
4. Remove the six hex lock nuts and flat washers from the weld studs on the flail housing. Retain the hardware.

5. Carefully separate the hopper assembly from the impeller assembly and remove the shredder plate. The shredder plate can be identified by referring to item 29 in the parts list on page 20 & 21.

NOTE: When reassembling the shredder plate, make certain the embossed tab faces inward towards the impeller.

6. Remove the two wing knobs that secure the chute deflector and raise the chute.
7. Insert a 1/2" or 3/4" diameter pipe through the shredder screen into the impeller to keep it from turning or remove the flail screen and insert a piece of wood into the chute opening.
8. A. Remove the two internal hex screws, lock washers, and hex lock nuts which secure the shredder blade to the impeller.
B. Remove the hex bolt, lock washer, and flat washer to completely free shredder blade. See Figure 16.

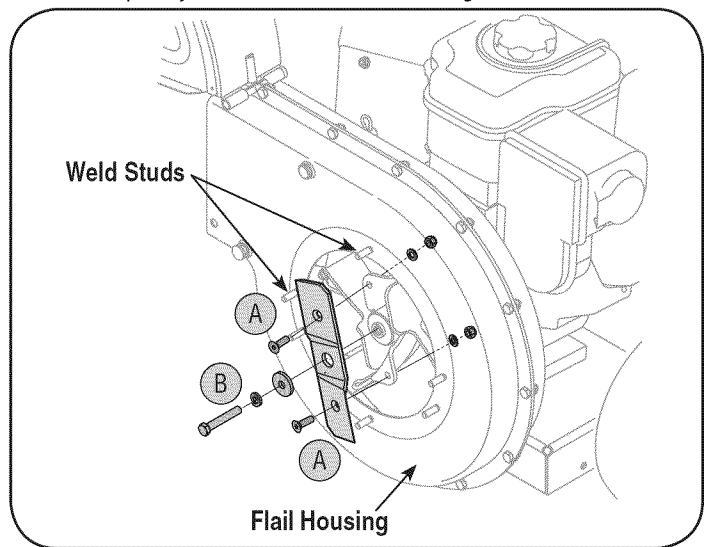


Figure 16

9. Install a replacement blade (Part No. 742-0544) with the hardware removed earlier or sharpen and replace existing blade.

IMPORTANT: When reassembling the shredder blade, tighten center bolt to between 550 and 700 in.-lbs. and the two outside bolts to between 250 and 350 in.-lbs.

NOTE: Use a 3/16" hex key (Allen) wrench on the outside of the shredder blade and a 1/2" box (or socket) wrench on the inside of the shredder blade. Hold the Allen wrench stationary and rotate the box (or socket) wrench to loosen the nut. Use caution when removing the blade to avoid contacting the weld studs on housing.

IMPORTANT: When sharpening the blade, follow the original angle of grind as a guide. It is extremely important that each cutting edge receives an equal amount of grinding to prevent an unbalanced blade. An unbalanced blade will cause excessive vibration when rotating at high speeds and may cause damage to the unit. The blade can be tested by balancing it on a screwdriver or nail. Remove metal from the heavy side until it is balanced evenly.

OFF-SEASON STORAGE

WARNING

Never store chipper shredder with fuel in tank indoors or in poorly ventilated areas where fuel fumes may reach an open flame, spark, or pilot light as on a furnace, water heater, clothes dryer, or gas appliance.

PREPARING THE ENGINE

For engines stored over 30 days:

1. To prevent gum from forming in fuel system or on carburetor parts, run engine until it stops from lack of fuel or add a gasoline additive to the gas in the tank. If you use a gas additive, run the engine for several minutes to circulate the additive through the carburetor—after which the engine and fuel can be stored up to six months.
2. While engine is still warm, change the oil. See Change Engine Oil in SERVICE AND MAINTENANCE section.
3. Remove spark plug and pour approximately 1 oz. (30 ml) of clean engine oil into the cylinder. Pull the recoil starter several times to distribute the oil, and reinstall the spark plug.
4. Clean engine of surface debris.

PREPARING THE CHIPPER SHREDDER

- When storing the chipper shredder in an unventilated or metal storage shed, care should be taken to rustproof the non-painted surfaces. Using a light oil or silicone, coat the equipment, especially any springs, bearings, and cables.
- Remove all dirt from exterior of engine and equipment.
- Follow lubrication recommendations.
- Store equipment in a clean, dry area. Do not store next to corrosive materials, such as fertilizer. Do not store in an area where equipment is present that may use a pilot light or has a component that can create a spark.

TROUBLESHOOTING

⚠ WARNING

Before performing any type of maintenance/service, disengage all controls and stop the engine. Wait until all moving parts have come to a complete stop. Disconnect spark plug wire and ground it against the engine to prevent unintended starting. Always wear safety glasses during operation or while performing any adjustments or repairs.

Problem	Cause	Remedy
Engine fails to start	<ol style="list-style-type: none"> 1. Throttle lever not in correct starting position 2. Choke not in the CHOKE position 3. Spark plug wire disconnected 4. Faulty spark plug 5. Fuel tank empty or stale fuel 6. Cannot pull recoil cord 7. Engine flooded 	<ol style="list-style-type: none"> 1. Move throttle lever to START/RUN position. 2. Move CHOKE to the CHOKE position. 3. Connect wire to spark plug. 4. Clean, adjust gap, or replace. 5. Fill tank with clean, fresh gasoline. 6. Obstruction lodged in impeller. Disconnect spark plug wire and remove lodged object. 7. Wait a few minutes to restart.
Engine runs erratically	<ol style="list-style-type: none"> 1. Unit running on CHOKE 2. Spark plug wire loose 3. Stale fuel 4. Water or dirt in fuel system 5. Dirty air cleaner 6. Low engine RPM 7. Carburetor out of adjustment 	<ol style="list-style-type: none"> 1. Move choke lever to the RUN position. 2. Connect and tighten spark plug wire. 3. Fill tank with fresh gasoline. 4. Refill with fresh fuel. 5. Clean or replace air cleaner filter. 6. Always run engine at full throttle. 7. Contact your Sears Parts & Repair Center.
Engine overheats	<ol style="list-style-type: none"> 1. Engine oil level low 2. Air flow restricted 	<ol style="list-style-type: none"> 1. Fill engine with proper amount and type of oil. 2. Clean debris from around the engine's cooling fins and blower housing.
Engine hesitates at high RPMs	<ol style="list-style-type: none"> 1. Spark plug gap set too close 	<ol style="list-style-type: none"> 1. Remove spark plug and adjust gap.
Engine idles poorly	<ol style="list-style-type: none"> 1. Fouled spark plug 2. Dirty air cleaner 	<ol style="list-style-type: none"> 1. Replace spark plug and adjust gap. 2. Replace air cleaner cartridge.
Excessive vibration	<ol style="list-style-type: none"> 1. Loose parts or damaged impeller 	<ol style="list-style-type: none"> 1. Stop engine immediately and disconnect spark plug wire. Contact your Sears Parts & Repair Center.
Unit does not discharge	<ol style="list-style-type: none"> 1. Chute deflector clogged 2. Foreign object lodged in impeller 3. Low engine RPM 	<ol style="list-style-type: none"> 1. Stop engine immediately and disconnect spark plug wire. Clean flail screen and inside of discharge opening. 2. Stop engine and disconnect spark plug wire. Remove lodged object. 3. Always run engine at full throttle.
Rate of discharge slows considerably or composition of discharged material changes	<ol style="list-style-type: none"> 1. Low engine RPM 2. Chipper blade dull 	<ol style="list-style-type: none"> 1. Always run engine at full throttle. 2. Replace or sharpen chipper blade or contact your Sears Parts & Repair Center.

NEED MORE HELP?

You'll find the answer and more on managemylife.com - for free!

- Find this and all your other product manuals online.
- Get answers from our team of home experts.
- Get a personalized maintenance plan for your home.
- Find information and tools to help with home projects.



brought to you by Sears

PARTS LIST

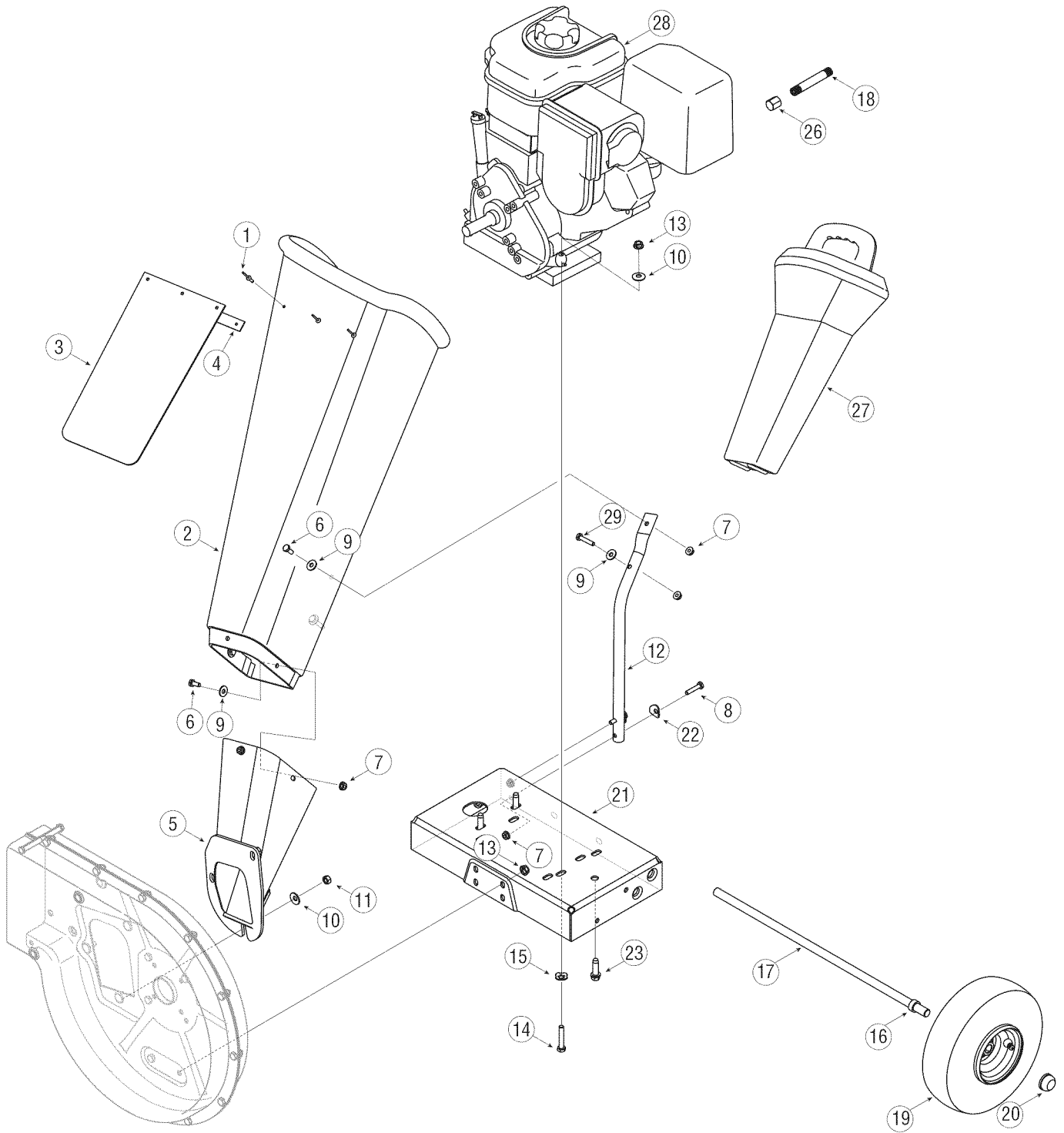
Craftsman Chipper Shredder — Model No. 247.77638

Ref. No.	Part No.	Description
1.	936-0217	Lock Washer, 3/8
2.	914-0149B	Cotter Pin
3.	720-0170	Wing Knob 5/16-18
4.	681-0094A-4044	Chute Deflector Assembly
5.	911-0835	Clevis Pin
6.	781-0457-0637	Shredder Screen
7.	926-0211	U-Nut 5/16-18
8.	950-0793	Spacer
9.	912-3027	Hex Lock Nut, 1/4-20
10.	712-3004A	Hex Lock Nut 5/16-18
11.	936-0119	Lock Washer 5/16
12.	681-04116	Inner Impeller Housing Assembly
13.	710-3025	Hex Cap Screw 5/16-18 x .625
14.	710-0157	Hex Cap Screw 5/16-24 x .75
15.	942-0544B	Chipper Blade
16.	710-1054	Hex Cap Screw 5/16-24 x 1.0
17.	681-04095	Impeller Assembly
18.	912-0411	Hex Lock Nut 5/16-24
19.	712-0266A	Nut, Jam Lock, 3/8-16
20.	719-04308	Flail Blade
21.	738-04286A	Shoulder Pin, .5 x 2.625

Ref. No.	Part No.	Description
22.	710-3008	Hex Cap Screw 5/16-18 x .75
23.	736-0247	Flat Washer 3/8 x 1.25
24.	942-0571	Shredder Blade
25.	710-1254	Hex Cap Screw 3/8-24 x 2.25
26.	681-0004A-4044	Outer Impeller Housing Assembly
27.	710-0825	Hex Cap Screw 1/4-20 x 3.75
28.	781-0515-0637	Front Support Bracket
29.	781-0574-0637	Shredder Plate
30.	681-0104-4044	Rear Hopper Bracket Assembly
31.	932-0306A	Compression Spring 1.75
32.	936-0117	Flat Washer
33.	914-0104	Cotter Pin
34.	936-0264	Flat Washer.330 ID x .630 OD
35.	710-0376	Hex Cap Screw 5/16-18 x 1.0
36.	748-0453	Spacer, .375 ID x 2.50 LG
37.	731-1707A	Hopper Assembly
38.	912-0429	Hex Lock Nut 5/16-18
39.	731-1710A	Hopper Collar
40.	681-0123-4044	Front Hopper Bracket Assembly
41.	711-1128	Lock Rod

PARTS LIST

Craftsman Chipper Shredder — Model No. 247.77638



PARTS LIST

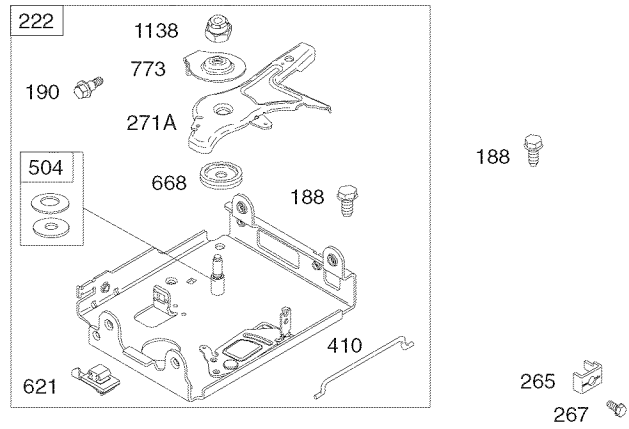
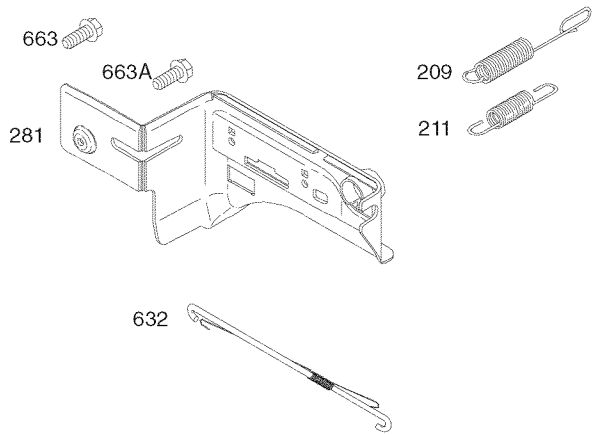
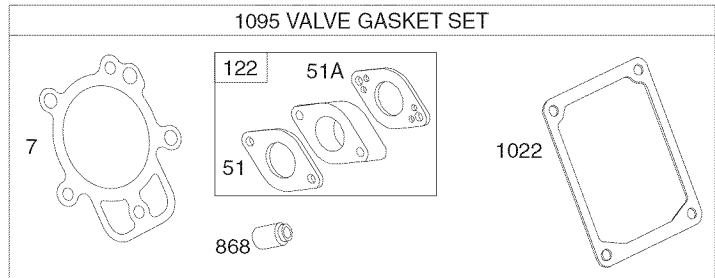
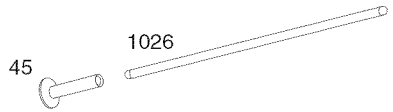
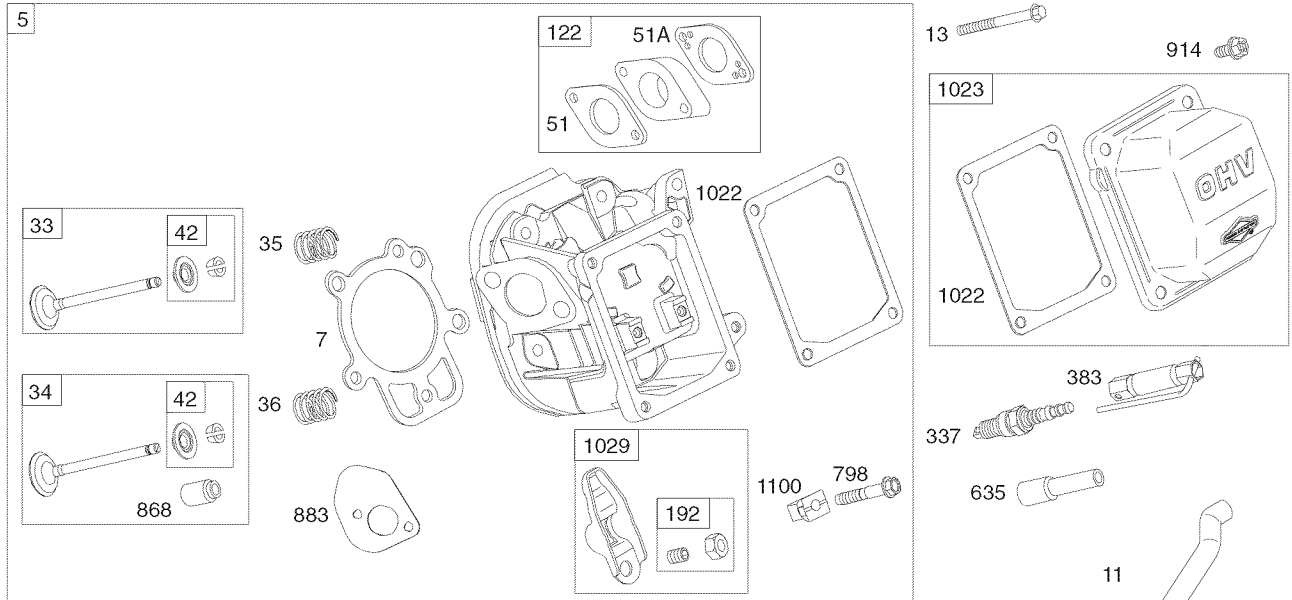
Craftsman Chipper Shredder — Model No. 247.77638

Ref. No.	Part No.	Description
1	728-0175	Pop Rivet
2	753-05094	Chipper Shredder Chute
3	735-0249A	Chute Flap
4	781-0633	Chute Flap Strip
5	681-04119-4044	Chipper Chute Assembly
6	710-0751	Hex Cap Screw 1/4 -20 x.620
7	712-04064	Hex Lock Nut 1/4-20
8	710-0809	Hex Cap Screw 1/4-20 x 1.25
9	736-0173	Flat Washer .28 ID x .74 OD
10	736-0242	Bell Washer .340 ID x .872 OD
11	912-3010	Hex Nut 5/16-18
12	749-1004-4044	Support Brace
13	712-3004A	Hex Lock Nut 5/16-18
14	710-3180	Hex Cap Screw 5/16-18 x 1.75
15	936-0170	Bell Washer 5/16 x 1.0

Ref. No.	Part No.	Description
16	950-0786	Spacer
17	738-0813	Axle Assembly
18	737-0298	Pipe, Oil Drain
19	934-04009	Wheel Complete, 10.0 x 4.0 Gray
20	726-0214	Push Cap
21	681-0183B-4044	Frame
22	936-0451	Washer,.320 ID x.93 OD
23	710-0502A	Screw, 3/8-16 x 1.250
24	723-0400	Safety Glasses (Not Shown)
25	964-04024	Chipper Bag Ass'y (Not Shown)
26	737-0132	Oil Drain End Cap
27	731-1617	Tamper
28	20T212-0835-F1	Replacement Engine
29	710-0106	Hex Screw, 1/4-20 x 1.25

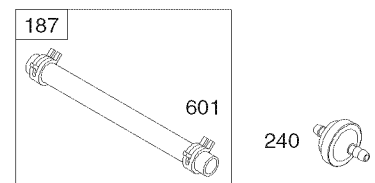
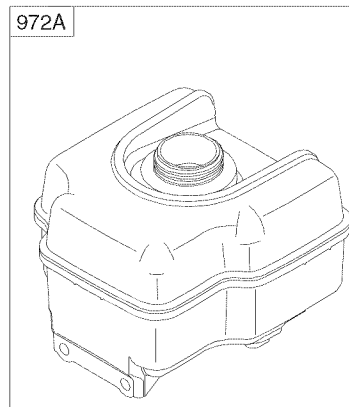
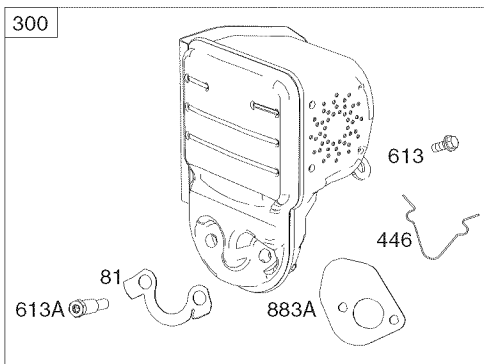
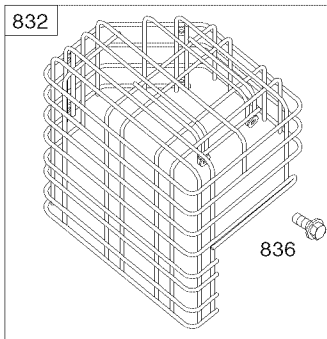
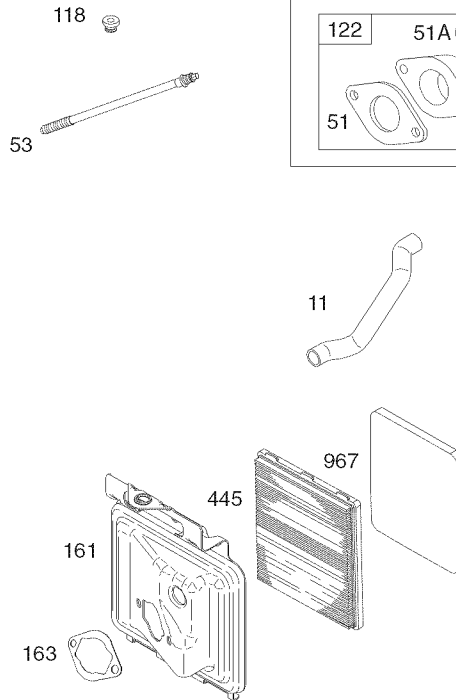
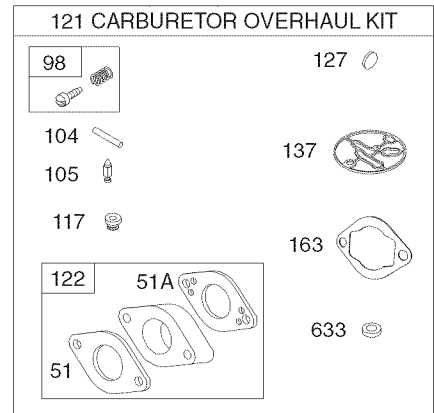
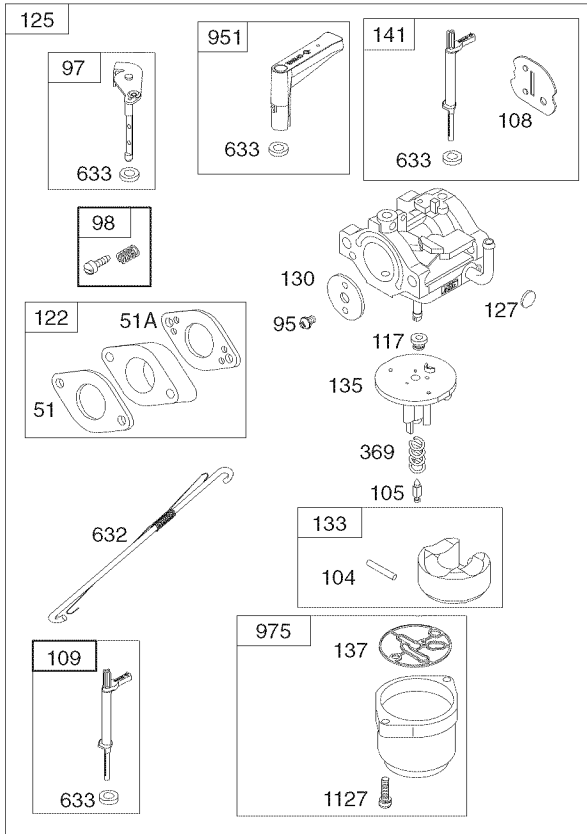
PARTS LIST

Craftsman Engine Model 204312-0529 For Chipper Shredder Model No. 247.77638



PARTS LIST

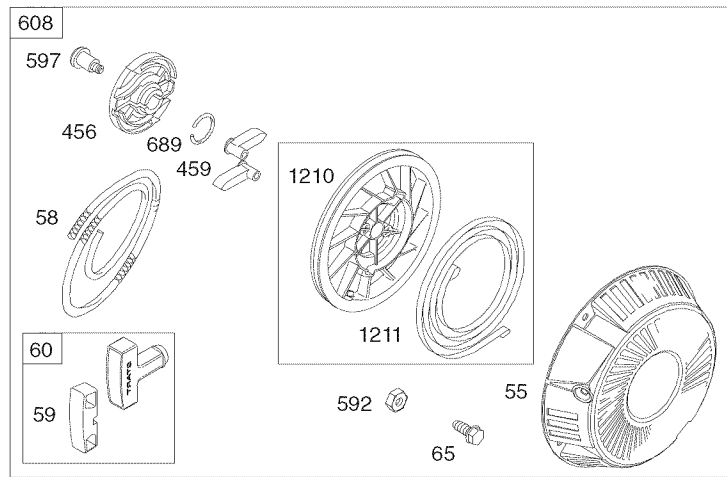
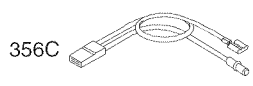
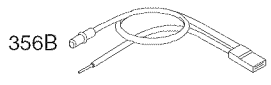
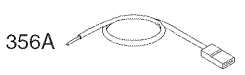
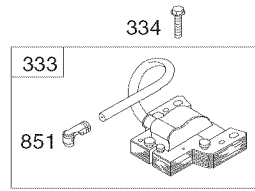
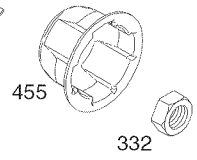
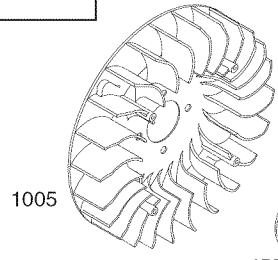
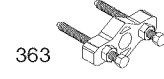
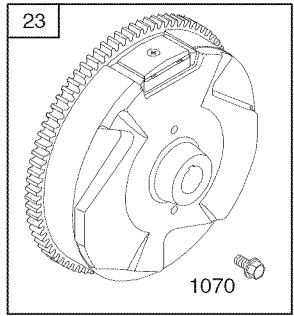
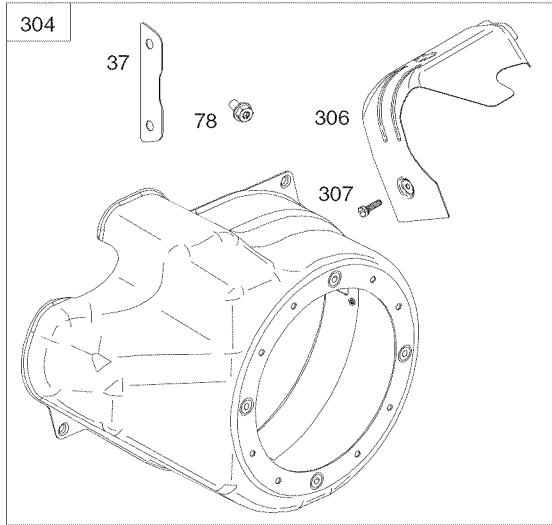
Craftsman Engine Model 204312-0529 For Chipper Shredder Model No. 247.77638



PARTS LIST

Craftsman Engine Model 204312-0529 For Chipper Shredder Model No. 247.77638

1036 EMISSIONS LABEL



PARTS LIST

Craftsman Engine Model 204312-0529 For Chipper Shredder Model No. 247.77638

Ref. No.	Part No.	Description
1	794849	Cylinder Assembly
2	698340	Kit-Bushing/Seal (Magneto Side)
3	391086s •	Seal-Oil (Magneto Side)
5	794870	Head-Cylinder
7	694872 •+	Gasket-Cylinder Head
11	696796	Tube-Breather
12	694953 •	Gasket-Crankcase
13	794829	Screw (Cylinder Head)
15	697757	Plug-Oil Drain
16	794874	Crankshaft
18	791965	Cover-Crankcase
19	698340	Kit-Bushing/Seal (PTO Side)
20	391086s •	Seal-Oil (PTO Side)
21	281658s	Cap-Oil Fill
22	794825	Screw (Crankcase Cover/Sump)
23	794814	Flywheel
24	222698s	Key-Flywheel
25	792117	Piston Assembly (Standard)
	792144	Piston Assembly (.020" Oversize)
26	793561	Ring Set (Standard)
	792073	Ring Set (.020" Oversize)
27	690975	Lock-Piston Pin
28	696581	Pin-Piston
29	691691	Rod-Connecting
30	694692	Dipper-Connecting Rod
32	690976	Screw (Connecting Rod)
33	499596	Valve-Exhaust
34	792200	Valve-Intake
35	694865	Spring-Valve (Intake)
36	694865	Spring-Valve (Exhaust)
37	790730	Guard-Flywheel
42	499586	Keeper-Valve
45	690977	Tappet-Valve
46	790958	Camshaft
48	N/A	Short Block

Ref. No.	Part No.	Description
51	694874 Ø•+	Gasket-Intake
51A	694875 Ø•+	Gasket-Intake
53	794830	Stud (Carburetor)
55	695288	Housing-Rewind Starter
58	693389	Rope-Starter
59	805957	Insert-Grip
60	490652	Grip-Starter Rope
65	699228	Screw (Rewind Starter)
78	795026	Screw (Flywheel Guard)
81	794817	Lock-Muffler Screw
95	690718	Screw (Throttle Valve)
97	696387	Shaft-Throttle
98	695408 Ø	Kit-Idle Speed
104	694918 Ø	Pin-Float Hinge
105	696136 Ø	Valve-Float Needle
108	696143	Valve-Choke
109	790149	Shaft-Choke
117	696134	Jet-Main (Std.) (Incl O-Ring Seal)
118	696135	Jet-Main (High Alt.) (Incl O-Ring Seal)
121	696146	Kit-Carburetor Overhaul
122	694876	Spacer-Carburetor
125	699966	Carburetor
127	690727 Ø	Plug-Welch
130	696139	Valve-Throttle
133	694914	Float-Carburetor
135	696142	Tube-Fuel Transfer
137	695426 Ø	Gasket-Float Bowl
141	696145	Kit-Choke Shaft
146	690979	Key-Timing
161	794768	Base-Air Cleaner
163	692277 Ø•	Gasket-Air Cleaner
187	791766	Line-Fuel (Cut To Required Length)
188	699479	Screw (Control Bracket)
190	699220	Screw (Fuel Tank)
192	690083	Adjuster-Rocker Arm

PARTS LIST

Craftsman Engine Model 204312-0529 For Chipper Shredder Model No. 247.77638

Ref. No.	Part No.	Description
209	694867	Spring-Governor (Red)
211	695307	Spring-Governed Idle
219	693578	Gear-Governor
220	691724	Washer (Governor Gear)
222	794799	Bracket-Control
227	694864	Lever-Governor Control
240	298090s	Filter-Fuel
265	691024	Clamp-Casing
267	699492	Screw (Casing Clamp)
271	695381	Lever-Control
278	792008	Washer (Governor Control Lever)
281	697268	Panel-Control
300	794806	Muffler
304	791478	Housing-Blower
305	699480	Screw (Blower Housing)
306	697240	Shield-Cylinder
307	794822	Screw (Cylinder Shield)
332	794824	Nut (Flywheel)
333	492341	Armature-Magneto
334	699477	Screw (Magneto Armature)
337	491055s	Plug-Spark
356	692603	Wire-Stop
356A	692390	Wire-Stop
356B	695815	Wire-Stop
356C	695295	Wire-Stop
358	695438	Gasket Set-Engine
363	19203	Puller-Flywheel
369	695422	Spring-Float Bowl
383	19374s	Wrench-Spark Plug
410	695382	Link-Control
415	691363	Plug (Cylinder)
425	794835	Screw (Air Cleaner Cover)
445	491588s	Filter-Air Cleaner Cartridge
446	794941	Spring-Retainer
455	794867	Cup-Flywheel

Ref. No.	Part No.	Description
456	692299	Plate-Pawl Friction
459	281505s	Pawl-Ratchet
493	691177	Bracket-Mounting
504	695383	Washer Set-Friction
505	691251	Nut (Governor Control Lever)
529	791822	Grommet (Cylinder)
552	694674	Bushing-Governor Crank
562	793216	Bolt (Governor Control Lever)
592	690800	Nut (Rewind Starter)
597	691696	Screw (Pawl Friction Plate)
601	791850	Hose-Clamp
608	695287	Starter-Rewind
613	794846	Screw (Muffler)
613A	794848	Screw (Muffler)
615	694676	Retainer-Governor Shaft
616	694675	Crank-Governor
621	692310	Switch-Stop
632	695917	Spring/Link-Mechanical Governor
633 Ø	690998	Seal-Choke/Throttle Shaft
635	691909	Boot-Spark Plug
663	699492	Screw (Control Panel)
663A	795026	Screw (Control Panel)
668	694257	Spacer (Control Bracket)
689	691855	Spring-Friction
718	690959	Pin-Locating (Cylinder)
718A	695178	Pin-Locating (Cylinder Head)
741	691288	Gear-Timing
742	692564	Retainer-E Ring
746	694679	Gear-Idler
773	694258	Retainer
774	695447	Screw (Stop Wire)
798	697890	Screw (Rocker Arm)
832	795035	Guard-Muffler
836	794845	Screw (Muffler Guard)
836A	710023	Screw (Muffler Guard)

PARTS LIST

Craftsman Engine Model 204312-0529 For Chipper Shredder Model No. 247.77638

Ref. No.	Part No.	Description
851	692424	Terminal-Spark Plug
868	690968 •+	Seal-Valve
883	794818 •	Gasket-Exhaust
914	794827	Screw (Rocker Cover)
951	699961	Lever-Choke
957	792647	Cap-Fuel Tank
967	491435s	Filter-Pre Cleaner
968	794785	Cover-Air Cleaner
972	694260	Tank-Fuel
975	696138	Bowl-Float
998	696683	Pipe-Oil
1005	794815	Fan-Flywheel
1022	690971 •+	Gasket-Rocker Cover
1023	697691	Cover-Rocker
1026	695177	Rod-Push
1029	690972	Arm-Rocker
1036		Label-Emissions
1058	MS3797	Operator's Manual
1070	794821	Screw (Flywheel Fan)
1095	695440	Gasket Set-Valve
1100	791959	Pivot-Rocker Arm
1127	695407	Screw (Float Bowl)
1138	694255	Nut (Control Bracket)
1194	691876	Seal-O Ring (Plug)
1210	498144	Pulley/Spring Assembly (Pulley)
1211	498144	Pulley/Spring Assembly (Spring)
1329	2043120536e9	Replacement Engine
1330	272147	Repair Manual
1427	695757	Cap-Pipe

- Included in Engine Gasket Set, Key Number 358
- Ø Included in Carburetor Overhaul Kit, Key Number 121
- + Included in Valve Gasket Set, Key Number 1095

Parts List

Craftsman Chipper Shredder Model No. 247.77638

777S33113

⚠ DANGER

- ROTATING CUTTING BLADES. KEEP HANDS AND FEET OUT OF OPENING WHILE MACHINE IS RUNNING.
- DO NOT OPERATE THIS MACHINE UNLESS THE CHUTE DEFLECTOR HAS BEEN PROPERLY INSTALLED AND IS SECURED WITH THE HAND KNOBS.

777S33200

⚠ WARNING

Operation Of This Equipment May Create Sparks That Can Start Fires Around Dry Vegetation. A Spark Arrestor May Be Required. The Operator Should Contact Local Fire Agencies For Laws Or Regulations To Fire Prevention Requirements.

777S32036

⚠ DANGER

TO AVOID SERIOUS INJURY:

- Read the operator's manual(s) before starting and using unit.
- Keep all shields and guards in place and securely attached.
- Keep hands, feet, face, clothing and long hair out of Shredder Hopper, Chipper Chute and Discharge Chute while the engine is running. Rotating cutting blades inside these openings will cause serious personal injury if contacted. Material being processed may bounce back from inlet openings or be thrown from the discharge chute. Long hair or loose clothing may be pulled or sucked into the inlet openings.
- Do not place branches over 1/2 inch diameter into the large Shredder Hopper. Branches over 1/2 inch in diameter should be placed in the Small Chipper Chute.
- If the chipped shredder jams or becomes clogged, immediately shut off the engine and wait for all moving parts to come to a complete stop before clearing.
- Do not install, remove, adjust, or service the discharge screen or any other part while the engine is running. Blade contact can occur.

S32036 AC

777X43688

DO NOT USE E85 OR FUEL CONTAINING MORE THAN 10% ETHANOL

TO AVOID ENGINE DAMAGE

777S30185

⚠ WARNING

TO AVOID EYE INJURY, WEAR SAFETY GLASSES.

DO NOT DEPOSIT MATERIAL LARGER THAN 1/2" DIAMETER IN LARGE SHREDDER HOPPER. THIS MAY DAMAGE MACHINE.

777S30181

⚠ DANGER

ROTATING CUTTING BLADES. KEEP HANDS AND FEET OUT OF OPENINGS WHILE MACHINE IS RUNNING.

777S32282

⚠ DANGER

DO NOT OPERATE THIS MACHINE UNLESS THE CHUTE DEFLECTOR HAS BEEN PROPERLY INSTALLED.

777D12676

CRAFTSMAN®

3-WAY CHIPPER SHREDDER

HARDENED STEEL CHROMIUM CHIPPER BLADES

10:1 REDUCTION RATIO

777S32037

⚠ DANGER

TO AVOID SERIOUS INJURY:

- Do not operate on uneven ground where unit is unstable. Do not operate on pavement, gravel or other hard surfaces since objects can ricochet and cause injury.
- To avoid a fire hazard, keep leaves, grass, and other combustible materials away from hot engine and muffler.
- Keep children and others away from area of operation.
- Wear approved safety glasses, gloves and ear protection.

INSTRUCTIONS:

TO RAISE AND LOWER HOPPER

(This page applicable in the U.S.A. and Canada only.)

**Sears Brands Management Corporation (Sears), the California Air Resources Board (CARB)
and the United States Environmental Protection Agency (U.S. EPA)
Emission Control System Warranty Statement (Owner's Defect Warranty Rights and Obligations)**

EMISSION CONTROL WARRANTY COVERAGE IS APPLICABLE TO CERTIFIED ENGINES PURCHASED IN CALIFORNIA IN 1995 AND THEREAFTER, WHICH ARE USED IN CALIFORNIA, AND TO CERTIFIED MODEL

YEAR 1997 AND LATER ENGINES WHICH ARE PURCHASED AND USED ELSEWHERE IN THE UNITED STATES (AND AFTER JANUARY 1, 2001 IN CANADA).

California and United States Emission Control Defects Warranty Statement

The California Air Resources Board (CARB), U.S. EPA and Sears are pleased to explain the Emission Control System Warranty on your model year 2000 and later small off-road engine (SORE). In California, new small off-road engines must be designed, built and equipped to meet the State's stringent anti-smog standards. Elsewhere in the United States, new non-road, spark-ignition engines certified for model year 1997 and later must meet similar standards set forth by the U.S. EPA. Sears must warrant the emission control system on your

engine for the periods of time listed below, provided there has been no abuse, neglect or improper maintenance of your small off-road engine. Your emission control system includes parts such as the carburetor, air cleaner, ignition system, muffler and catalytic converter. Also included may be connectors and other emission related assemblies. Where a warrantable condition exists, Sears will repair your small off-road engine at no cost to you including diagnosis, parts and labor.

Sears Emission Control Defects Warranty Coverage

Small off-road engines are warranted relative to emission control parts defects for a period of one year, subject to provisions set forth below. If any covered

part on your engine is defective, the part will be repaired or replaced by Sears.

Owner's Warranty Responsibilities

As the small off-road engine owner, you are responsible for the performance of the required maintenance listed in your Operating and Maintenance Instructions. Sears recommends that you retain all your receipts covering maintenance on your small off-road engine, but Sears cannot deny warranty solely for the lack of receipts or for your failure to ensure the performance of all scheduled maintenance. As the small off-road engine owner, you should however be aware that Sears may deny you warranty coverage if your small off-road engine or a part has failed due to abuse, neglect, improper maintenance or unap-

proved modifications. You are responsible for presenting your small off-road engine to an Authorized Sears Service Dealer as soon as a problem exists. The undisputed warranty repairs should be completed in a reasonable amount of time, not to exceed 30 days. If you have any questions regarding your warranty rights and responsibilities, you should contact a Sears Service Representative at 1-800-469-4663. The emission warranty is a defects warranty. Defects are judged on normal engine performance. The warranty is not related to an in-use emission test.

Sears Emission Control Defects Warranty Provisions

The following are specific provisions relative to your Emission Control Defects Warranty Coverage. It is in addition to the Sears engine warranty for non-regulated engines found in the Operating and Maintenance Instructions.

1. Warranted Parts

Coverage under this warranty extends only to the parts listed below (the emission control systems parts) to the extent these parts were present on the engine purchased.

- a. Fuel Metering System
 - Cold start enrichment system
 - Carburetor and internal parts
 - Fuel Pump
- b. Air Induction System
 - Air cleaner
 - Intake manifold
- c. Ignition System
 - Spark plug(s)
 - Magneto ignition system
- d. Catalyst System
 - Catalytic converter
 - Exhaust manifold
 - Air injection system or pulse valve
- e. Miscellaneous Items Used in Above Systems
 - Vacuum, temperature, position, time sensitive valves and switches
 - Connectors and assemblies

2. Length of Coverage

Sears warrants to the initial owner and each subsequent purchaser that the Warranted Parts shall be free from defects in materials and workmanship which caused the failure of the Warranted Parts for a period of one year from the date the engine is delivered to a retail purchaser.

3. No Charge

Repair or replacement of any Warranted Part will be performed at no charge to the owner, including diagnostic labor which leads to the determination that a Warranted Part is defective, if the diagnostic work is performed at an Authorized Sears Service Dealer. For emissions warranty service contact your nearest Authorized Sears Service Dealer as listed in the "Yellow Pages" under "Engines, Gasoline," "Gasoline Engines," "Lawn Mowers," or similar category.

4. Claims and Coverage Exclusions

Warranty claims shall be filed in accordance with the provisions of the Sears Engine Warranty Policy. Warranty coverage shall be excluded for failures of Warranted Parts which are not original Sears parts or because of abuse, neglect or improper maintenance as set forth in the Sears Engine Warranty Policy. Sears is not liable to cover failures of Warranted Parts caused by the use of add-on, non-original, or modified parts.

5. Maintenance

Any Warranted Part which is not scheduled for replacement as required maintenance or which is scheduled only for regular inspection to the effect of "repair or replace as necessary" shall be warranted as to defects for the warranty period. Any Warranted Part which is scheduled for replacement as required maintenance shall be warranted as to defects only for the period of time up to the first scheduled replacement for that part. Any replacement part that is equivalent in performance and durability may be used in the performance of any maintenance or repairs. The owner is responsible for the performance of all required maintenance, as defined in the Sears Operating and Maintenance Instructions.

6. Consequential Coverage

Coverage hereunder shall extend to the failure of any engine components caused by the failure of any Warranted Part still under warranty.

In the USA and Canada, a 24 hour hot line, **1-800-469-4663**, has a menu of pre-recorded messages offering you engine maintenance information.

GDOC-100188 Rev. B

Look For Relevant Emissions Durability Period and Air Index Information On Your Engine Emissions Label

Engines that are certified to meet the California Air Resources Board (CARB) Tier 2 Emission Standards must display information regarding the Emissions Durability Period and the Air Index. Sears Brands Management Corporation makes this information available to the consumer on our emission labels.

The Emissions Durability Period describes the number of hours of actual running time for which the engine is certified to be emissions compliant, assuming proper maintenance in accordance with the Operating & Maintenance Instructions. The following categories are used:

Moderate: Engine is certified to be emission compliant for 125 hours of actual engine running time.

Intermediate: Engine is certified to be emission compliant for 250 hours of actual engine running time.

Extended: Engine is certified to be emission compliant for 500 hours of actual engine running time.

For example, a typical walk-behind lawn mower is used 20 to 25 hours per year. Therefore, the **Emissions Durability Period** of an engine with an **intermediate** rating would equate to 10 to 12 years.

The **Air Index** is a calculated number describing the relative level of emissions for a specific engine family. The lower the **Air Index**, the cleaner the engine. This information is displayed in graphical form on the emissions label.

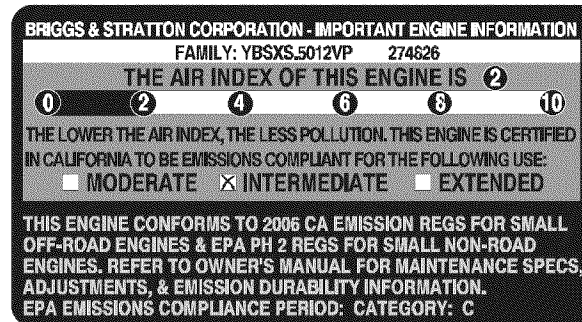
After July 1, 2000, Look For Emissions Compliance Period On Engine Emissions Compliance Label

After July 1, 2000 certain Sears Brands Management Corporation engines will be certified to meet the United States Environmental Protection Agency (USEPA) Phase 2 emission standards. For Phase 2 certified engines, the Emissions Compliance Period referred to on the Emissions Compliance label indicates the number of operating hours for which the engine has been shown to meet Federal emission requirements.

For engines less than 225 cc displacement, Category C = 125 hours, B = 250 hours and A = 500 hours.

For engines of 225 cc or more, Category C = 250 hours, B = 500 hours and A = 1000 hours.

This is a generic representation of the emission label typically found on a certified engine.



REPAIR PROTECTION AGREEMENT

Congratulations on making a smart purchase. Your new Craftsman® product is designed and manufactured for years of dependable operation. But like all products, it may require repair from time to time. That's when having a Repair Protection Agreement can save you money and aggravation.

Here's what the Repair Protection Agreement* includes:

- ☑ **Expert service** by our 10,000 professional repair specialists
- ☑ **Unlimited service and no charge** for parts and labor on all covered repairs
- ☑ **Product replacement** up to \$1500 if your covered product can't be fixed
- ☑ **Discount of 25%** from regular price of service and related installed parts not covered by the agreement; also, 25% off regular price of preventive maintenance check
- ☑ **Fast help by phone** – we call it Rapid Resolution – phone support from a Sears representative. Think of us as a “talking owner's manual.”

Once you purchase the Repair Protection Agreement, a simple phone call is all that it takes for you to schedule service. You can call anytime day or night, or schedule a service appointment online.

The Repair Protection Agreement is a risk-free purchase. If you cancel for any reason during the product warranty period, we will provide a full refund. Or, a prorated refund anytime after the product warranty period expires. Purchase your Repair Protection Agreement today!

Some limitations and exclusions apply. For prices and additional information in the U.S.A. call 1-800-827-6655.

***Coverage in Canada varies on some items. For full details call Sears Canada at 1-800-361-6665.**

Sears Installation Service

For Sears professional installation of home appliances, garage door openers, water heaters, and other major home items, in the U.S.A. or Canada call **1-800-4-MY-HOME®**.

ÍNDICE

Declaración de garantía.....	Página 35
Prácticas operación seguras.....	Página 36
Montaje	Página 40
Operación	Página 44
Servicio y Mantenimiento	Página 46
Almacenamiento fuera de temporada....	Página 50
Solución de problemas	Página 51

Etiquetas de seguridad.....	Página 7
Lista de piezas.....	Página 20
Acuerdo de Protección Para Reparaciones.....	Página 55
Labels	Página 31
Número de servicio	Cubierta posterior

GARANTÍA

ARTESANO DE DOS AÑOS DE GARANTÍA

POR DOS AÑOS a partir de la fecha de compra, este producto está garantizado contra cualquier defecto de material o mano de obra. Un producto defectuoso recibirá la reparación o la sustitución si la reparación no está disponible.

Para obtener información detallada cobertura de la garantía para obtener la reparación o sustitución gratuita, visite el sitio web: www.craftsman.com

Esta garantía cubre los defectos SOLO de materiales y fabricación. La garantía no incluye:

- Elementos reutilizables que pueden gastarse por el uso normal dentro del periodo de garantía, tales como las cuchillas, bujías, filtro de aire, pantalla de desgranado y una bolsa.
- Producto daños resultantes de los intentos del usuario de modificación del producto, reparación o causados por accesorios de productos.
- Reparaciones necesarias debido al accidente o por no operar o mantener el producto según las instrucciones provistas.
- El mantenimiento preventivo o reparaciones necesarias debido a una mezcla incorrecta de combustible, combustible contaminado o pasado.

Esta garantía es inválida si este producto se utiliza al mismo tiempo la prestación de servicios comerciales o si se alquila a otra persona.

Esta garantía le otorga derechos legales específicos, y usted también puede tener otros derechos que varían de estado a estado.

Sears Brands Management Corporation, Hoffman Estates, IL 60179

ESPECIFICACIONES DEL PRODUCTO

Serie:	1450
Tipo de aceite del motor:	SAE 30
Capacidad de aceite del motor:	28 onzas
El combustible:	Gasolina sin Plomo
Bujías:	Champion® RC-12YC
Separación de las bujías:	.030"

NÚMERO DE MODELO

Número de modelo

Número de serie

Fecha de compra

Registre arriba el número del modelo, el número de serie y la fecha de compra

INSTRUCCIONES DE SEGURIDAD

ADVERTENCIA

La presencia de este símbolo indica que se trata de instrucciones importantes de seguridad que se deben respetar para evitar poner en peligro su seguridad personal y/o material y la de otras personas. Lea y siga todas las instrucciones de este manual antes de poner en funcionamiento esta máquina. Si no respeta estas instrucciones podría provocar lesiones personales. Cuando vea este símbolo, ¡preste atención a la advertencia!

ADVERTENCIA

PROPOSICIÓN 65 DE CALIFORNIA

El escape del motor de este producto, algunos de sus componentes y algunos componentes del vehículo contienen o liberan sustancias químicas que el estado de California considera que pueden producir cáncer, defectos de nacimiento u otros problemas reproductivos.

PELIGRO

Esta máquina fue construida para ser operada de acuerdo con las reglas de seguridad contenidas en este manual. Al igual que con cualquier tipo de equipo motorizado, un descuido o error por parte del operador puede producir lesiones graves. Esta máquina es capaz de amputar manos y pies y de arrojar objetos con gran fuerza. De no respetar las instrucciones de seguridad siguientes se pueden producir lesiones graves o la muerte.

ADVERTENCIA

Su responsabilidad—Restrinja el uso de esta máquina motorizada a las personas que lean, comprendan y respeten las advertencias e instrucciones que aparecen en este manual y en la máquina.

¡GUARDE ESTAS INSTRUCCIONES!

CAPACITACIÓN

- Lea, entienda y cumpla todas las instrucciones incluidas en la máquina y en los manuales antes de montarla y utilizarla. Guarde este manual en un lugar seguro para consultas futuras y regulares, así como para solicitar repuestos.
- Lea el Manual del Operador y siga todas las advertencias e instrucciones de seguridad. El fracaso de hacer así puede causar la herida seria al operador y/o personas presentes.
- Familiarícese con todos los controles y su operación adecuada. Sepa cómo detener la máquina y cómo desengranar los controles rápidamente.
- No permita nunca que los niños menores de 16 años utilicen esta máquina. Los niños de 16 años y más mayores deben leer y comprender las instrucciones de operación y las reglas de seguridad contenidas en este manual, y también deben ser capacitados y estar supervisados por uno de los padres.
- Nunca permita que los adultos operen esta máquina sin recibir antes la instrucción apropiada.
- Mantenga a los transeúntes, ayudantes, mascotas y niños al menos a 75 pies de la máquina mientras está operando. Detenga la máquina si alguien entra en la zona.
- Nunca encienda un motor en espacios cerrados o en una zona con poca ventilación. El escape del motor contiene monóxido de carbono, un gas inodoro y letal.
- No ponga las manos o los pies cerca de las piezas rotatorias o en las cámaras de alimentación ni en la abertura de descarga. El contacto con el motor rotatorio puede producir la amputación de dedos, manos o pies.
- Nunca trate de destapar la toma de alimentación o la abertura de descarga, ni trate de sacar o vaciar la bolsa de la aspiradora, ni de revisar y reparar la máquina mientras el motor está en marcha. Apague el motor y espere hasta que todas las piezas móviles se hayan detenido por completo. Desconecte el cable de la bujía y póngalo de manera que haga masa contra el motor.

PREPARATIVOS

- Inspeccione minuciosamente el área donde utilizará el equipo. Retire todas las piedras, botellas, latas u otros objetos extraños que puedan ser levantados o arrojados causando lesiones personales o daños a la máquina.
- Para protegerse los ojos utilice siempre anteojos o antiparras de seguridad mientras opera la máquina o mientras la ajusta o repara. Los objetos arrojados que rebotan pueden lesionar gravemente la vista.
- Utilice zapatos de trabajo resistentes, de suela fuerte, así como pantalones y camisas ajustados. Las prendas sueltas o las alhajas pueden quedar atrapadas en las piezas móviles. Nunca utilice la máquina descalzo o con sandalias. Utilice guantes de trabajo de cuero cuando alimente material por el canal de la cortadora.
- Antes de encender la máquina controle que todos los pernos y tornillos estén bien ajustados para comprobar que la máquina se encuentra en condiciones seguras de operación. Además, realice una inspección visual de la máquina a intervalos frecuentes para controlar si la misma está dañada.
- Mantenga o reemplace las etiquetas de seguridad e instrucciones según sea necesario.

INSTRUCCIONES DE SEGURIDAD

Manejo seguro de la gasolina

Para evitar lesiones personales o daños materiales sea sumamente cuidadoso al manipular la gasolina. La gasolina es altamente inflamable y sus vapores pueden causar explosiones. Se puede lesionar gravemente si derrama gasolina sobre usted o sobre la ropa ya que se puede encender. Lávese la piel y cámbiese de ropa de inmediato.

- Utilice sólo recipientes para gasolina autorizados.
- Nunca llene los contenedores en el interior de un vehículo o camión o caja de camioneta con recubrimientos plásticos. Coloque siempre los recipientes en el piso y lejos del vehículo antes de llenarlos.
- Retire el equipo a gasolina del camión o remolque y llénelo en el piso. Si esto no es posible, entonces llene dicho equipo en un remolque con un recipiente portátil, en vez de desde un dispensador de gasolina.
- Mantenga la boquilla de llenado en contacto con el borde de la entrada del tanque de gasolina o contenedor en todo momento hasta que esté lleno. No utilice un dispositivo para abrir/cerrar la boquilla.
- Apague todos los cigarrillos, cigarros, pipas y otras fuentes de combustión.
- Nunca cargue combustible en la máquina en un espacio cerrado.
- Nunca saque la tapa del gas ni agregue combustible mientras el motor está caliente o en marcha. Deje que el motor se enfríe por lo menos dos minutos antes de volver a cargar combustible.
- Nunca recargue el tanque de combustible. Llene el tanque no más de 1/2 pulgada por debajo de la base del cuello del filtro para dejar espacio para la dilatación del combustible.
- Vuelva a colocar la tapa de la gasolina y ajústela bien.
- Limpie la gasolina derramada sobre el motor y el equipo. Traslade la máquina a otra zona. Espere 5 minutos antes de encender el motor.
- Nunca almacene la máquina o el recipiente de combustible en un espacio cerrado donde haya fuego, chispas o luz piloto (por ejemplo, hornos, calentadores de agua, calefactores, secadores de ropa, etc.)
- Para reducir el riesgo de incendio mantenga la máquina limpia de pasto, hojas y de acumulación de otros desechos. Limpie los derrames de aceite o combustible y saque todos los desechos embebidos con combustible.

OPERACIÓN

- No ponga las manos o los pies cerca de las piezas rotatorias o en las cámaras de alimentación ni en la abertura de descarga. El contacto con el motor rotatorio puede producir la amputación de dedos, manos o pies.
- Antes de encender la máquina compruebe que el canal de la cortadora, la toma de alimentación y la cámara de corte están vacías y sin desechos.
- Inspeccione minuciosamente todo el material que desea triturar y saque los objetos metálicos, piedras, botellas, latas u otros objetos extraños que pueden ocasionar lesiones o dañar la máquina.
- Si es necesario empujar el material por la tolva de la trituradora use un palo de diámetro pequeño. No utilice las manos ni los pies.
- Si el motor golpea un objeto extraño o si la máquina empieza a producir un sonido poco común o una vibración, apague el motor de inmediato. Deje que el motor se detenga por completo. Desconecte el cable de la bujía, póngalo de manera que haga masa contra el motor y siga estos pasos:
 - a. Inspeccione la máquina para ver si está dañada.
 - b. Repare o reemplace las piezas dañadas.
 - c. Controle si hay piezas flojas y ajústelas para asegurar que la máquina funcione de manera segura y continua.
- No permita que se acumule material procesado en la zona de descarga. El mismo puede obstaculizar la descarga adecuada y provocar el retorno del material a través de la abertura de alimentación.
- No intente triturar ni picar material de mayor tamaño al especificado en la máquina o en este manual. Se podrían producir lesiones o daños.
- Nunca trate de destapar la toma de alimentación o la abertura de descarga mientras el motor está en marcha. Apague el motor y espere hasta que todas las piezas que se mueven se hayan detenido por completo, desconecte el cable de la bujía y póngalo de manera que haga masa contra el motor antes de sacar los escombros.
- Nunca opere la máquina sin que la tolva de la trituradora, el canal de la cortadora o el canal deflector estén correctamente conectados a la máquina. Nunca vacíe ni cambie la bolsa de descarga mientras el motor está en marcha.
- Mantenga todos los protectores, desviadores y dispositivos de seguridad en su lugar y en buenas condiciones.
- Mientras alimenta material dentro de la máquina mantenga su rostro y su cuerpo detrás y hacia un costado del canal de la cortadora para evitar lesiones por retrocesos accidentales.
- Nunca opere esta máquina sin buena visibilidad o iluminación.
- No opere esta máquina en superficies con grava.
- No opere esta máquina estando bajo los efectos del alcohol o de drogas.
- El silenciador y el motor se calientan y pueden producir quemaduras. No los toque.
- Nunca levante o transporte la máquina cuando el motor está encendido.
- Si se presentan situaciones que no están previstas en este manual sea cuidadoso y use el sentido común. Marque para contactar el departamento de atención al cliente y obtener el nombre de su distribuidor más cercano.

INSTRUCCIONES DE SEGURIDAD

MANTENIMIENTO Y ALMACENAMIENTO

- Nunca manipule los dispositivos de seguridad de manera imprudente. Controle periódicamente que funcionen de forma adecuada.
- Controle frecuentemente que todos los pernos y tornillos estén bien ajustados para comprobar que la máquina se encuentra en condiciones seguras de funcionamiento. Además, realice una inspección visual de la máquina para controlar si la misma está dañada y repárela de ser necesario.
- Antes de limpiar, reparar o inspeccionar la máquina, detenga el motor y compruebe que el mismo y que todas las piezas móviles se hallan detenido. Desconecte el cable de la bujía y póngalo de manera que haga masa contra el motor para evitar que se encienda de manera accidental.
- No cambie la configuración del regulador del motor ni acelere demasiado el mismo. El regulador controla la velocidad máxima segura de operación del motor.
- Mantenga o reemplace las etiquetas de seguridad e instrucciones según sea necesario.
- Siga las instrucciones de este manual para cargar, descargar, transportar y almacenar de manera segura esta máquina.
- Nunca almacene la máquina o el recipiente de combustible en un espacio cerrado donde haya fuego, chispas o luz piloto como por ejemplo, calentadores de agua, hornos, secadores de ropa, etc.
- Deje que la máquina se enfríe por lo menos 5 minutos antes de guardarla.
- Consulte siempre el manual del operador para conocer las instrucciones adecuadas para el almacenamiento fuera de temporada.
- Según la Comisión de Seguridad de Productos para el Consumidor de los Estados Unidos (CPSC) y la Agencia de Protección Ambiental de los Estados Unidos (EPA), este producto tiene una vida útil media de siete (7) años, ó 60 horas de funcionamiento. Al finalizar la vida útil media, adquiera una máquina nueva o haga inspeccionar anualmente ésta por un distribuidor de servicio autorizado para cerciorarse de que todos los sistemas mecánicos y de seguridad funcionan correctamente y no tienen excesivo desgaste. Si no lo hace, pueden producirse accidentes, lesiones o muerte
- Si debe vaciar el tanque de combustible, hágalo al aire libre.
- Respete las normas referentes a la disposición correcta y las reglamentaciones sobre gas, combustible, etc. para proteger el medio ambiente.

NO MODIFIQUE EL MOTOR

Para evitar lesiones graves o la muerte, no modifique el motor bajo ninguna circunstancia. Si cambia la configuración del regulador el motor puede descontrolarse y operar a velocidades inseguras. Nunca cambie la configuración de fábrica del regulador del motor.

AVISO REFERIDO A EMISIONES

Los motores que están certificados y cumplen con las regulaciones de emisiones federales EPA y de California para SORE (Equipos pequeños todo terreno) están certificados para operar con gasolina común sin plomo y pueden incluir los siguientes sistemas de control de emisiones: Modificación de motor (EM) y catalizador de tres vías (TWC) si están equipados de esa manera.

GUARDACHISPAS

ADVERTENCIA

Esta máquina está equipada con un motor de combustión interna y no debe ser utilizada en o cerca de un terreno agreste cubierto por bosque, malezas o hierba excepto si el sistema de escape del motor está equipado con un amortiguador de chispas que cumpla con las leyes locales o estatales correspondientes, en caso de haberlas.

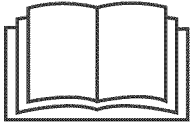


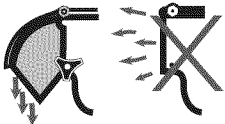

Si se utiliza un amortiguador de chispas el operador lo debe mantener en condiciones de uso adecuadas. En el Estado de California las medidas anteriormente mencionadas son exigidas por ley (Artículo 4442 del Código de Recursos Públicos de California). Es posible que existan leyes similares en otros estados. Las leyes federales se aplican en territorios federales.

Puede conseguir el amortiguador de chispas para el silenciador a través de su distribuidor autorizado de motores o poniéndose en contacto con el departamento de servicios, P.O. Box 361131 Cleveland, Ohio 44136-0019.

INSTRUCCIONES DE SEGURIDAD

SÍMBOLOS DE SEGURIDAD

Esta página representa y describe la seguridad los símbolos que pueden parecer en este producto. Lea, comprenda, y siga todas instrucciones en la máquina antes procurar para reunir y operar.

Símbolo	Descripción
	LEA EL MANUAL(S) DEL OPERADOR Lea, comprenda, y siga todas instrucciones en el manual (manuales) antes procurar para reunir y operar
	ADVERTENCIA— GIRANDO HOJAS Mantenga manos fuera de aperturas de cala y descarga mientras máquina corre. Allí giran hojas adentro
	ESPECTADORES Mantenga a espectadores, los animales favoritos, y los niños por lo menos 75 pies de la máquina mientras está en la operación. Pare máquina si cualquiera entra el área.
	ADVERTENCIA— ESCOMBROS TIRADOS Nunca operar sin el deflector de tobogán conectó apropiadamente a la máquina.
	PROTECCION DE OJO Siempre lleve gafas de seguridad o gafas de seguridad al operar esta máquina.

MONTAJE

IMPORTANTE: Esta unidad se entrega sin gasolina o aceite en el motor. Asegúrese de servicio con motor de gasolina y aceite según las instrucciones en la operación de este manual antes de operar su máquina.

NOTA: Referencia a la derecha y la izquierda de la Trituradora Chip-per se observa desde la posición de funcionamiento.

APERTURA DE LA CAJA DE CARTÓN

1. Corte cada una de las esquinas de la caja verticalmente, de la parte superior a la base.
2. Saque todas las piezas sueltas.
3. Quite el material de empaque suelto.

CÓMO SACAR LA UNIDAD DE LA CAJA

1. Eleve la unidad desde la parte posterior para separarla del material de la caja que quede debajo, y haga rodar la unidad fuera de la caja.
2. Verifique cuidadosamente si en la caja queda alguna parte suelta.

PIEZAS SUeltas DENTRO DE LA CAJA

- Montaje de tolva
- Bolsa
- Canal deflector
- Pisón
- Anteojos de seguridad
- Canal de la cortadora
- Aceite de motor
- Manual de Operador

INSTALACIÓN DE LA TOLVA MONTAJE

1. A. Saque seis tuercas hexagonales y arandelas de los espárragos de la soldadura de la caja del motor. No saque la placa de sostén. Vea la Figura 1.
B. Coloque el montaje de la tolva en posición delante de la caja del motor, alineando los agujeros del montaje del aro de la tolva con los espárragos de la soldadura.
C. Deslice el montaje de la tolva sobre los espárragos de la soldadura y vuelva a colocar las arandelas y las tuercas hexagonales. No las ajuste por completo.
2. A. Levante el montaje de la tolva hasta el montaje del soporte de motor. Véase la figura 2.
B. Deslice la varilla de liberación hacia afuera levemente para enganchar el soporte de tolva en la varilla. Vea la Figura 2.
C. Ajuste las seis tuercas hexagonales que unen el montaje de la tolva a la caja del motor y ajuste también las arandelas hexagonales que unen el soporte de la tolva al montaje de la misma.

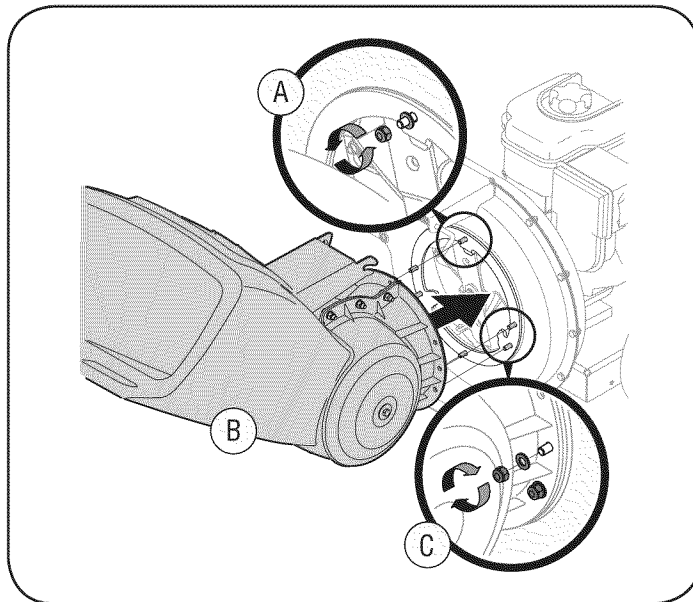


Figura 1

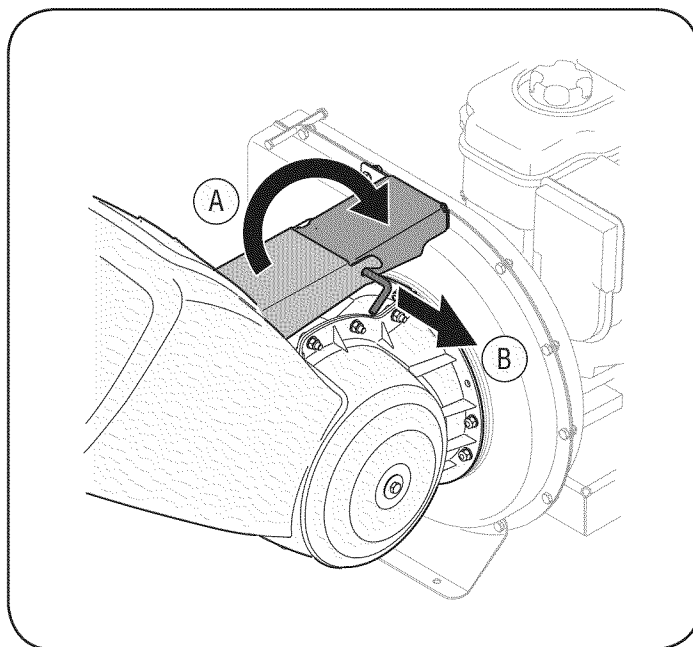


Figura 2

MONTAJE

COLOCACIÓN DEL CANAL DEFLECTOR

1. A. Saque las perillas a mariposa de los costados de la caja inferior del motor.
B. Saque la tuerca de seguridad hexagonal, los separadores y el bulón hexagonal de la parte superior de la caja del motor. Vea la Figura 3-3.
2. A. Ponga en línea el canal deflector en su posición en la abertura de descarga e inserte el bulón hexagonal con el separador a través de la bisagra del canal deflector (los separadores van dentro de las bisagras). Vea la Figura 3-4.
B. Coloque el segundo separador sobre el bulón hexagonal dentro de la otra bisagra y ajústelo con la tuerca de seguridad hexagonal.
C. Ajuste ambos costados del canal deflector a la caja del motor utilizando las perillas a mariposa que había sacado anteriormente.

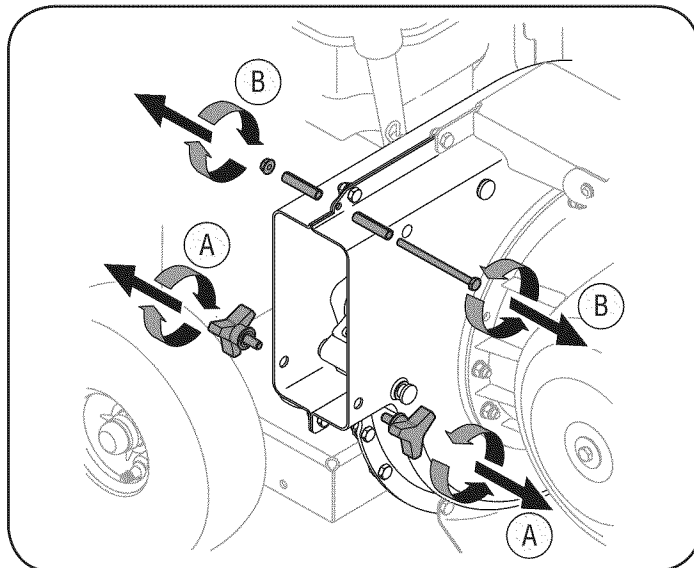


Figura 3

COLOCACIÓN DEL CANAL DE LA CORTADORA

1. A. Saque las tres arandelas curvas y las tuercas hexagonales de los espárragos de la soldadura que están alrededor de la abertura en el costado de la caja del motor. Vea la Figura 5.
B. Saque los bulones hexagonales, las arandelas planas y las tuercas de seguridad de los dos agujeros del extremo superior de la traba de sostén.

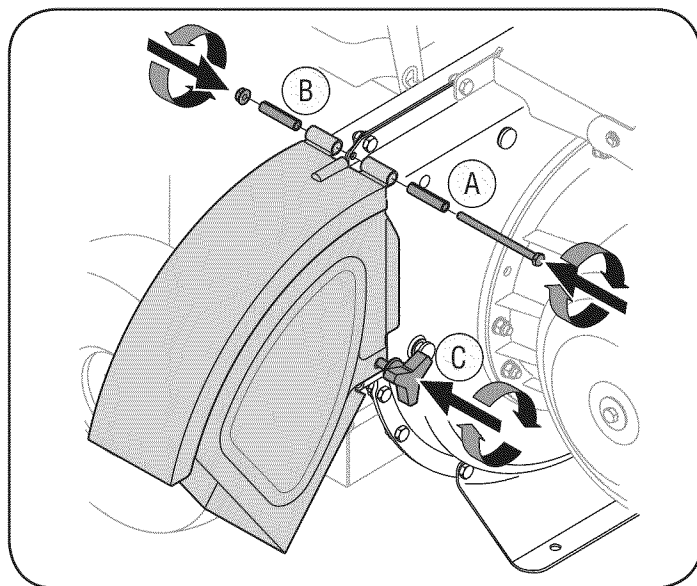


Figura 4

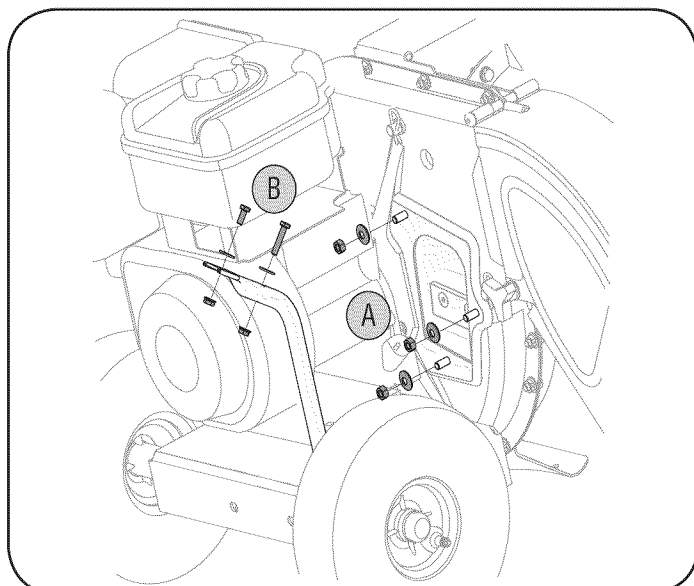


Figura 5

MONTAJE

2. A. Ponga en línea el canal de la cortadora por encima de los espárragos de la soldadura de manera que la ranura en la base del canal mire hacia abajo.
B. Ajuste el canal de la cortadora con tres arandelas curvas (con el lado curvo contra el canal de la cortadora) y con las tuercas hexagonales que había sacado anteriormente. No ajuste las tuercas en este momento. Vea la Figura 6.
3. La cortadora trituradora fue enviada con un extremo de la traba de sostén ya unido al bastidor inferior. Afloje pero no saque los bulones que unen la traba al bastidor.
 - A. Ponga en línea los agujeros del canal con los agujeros de la parte superior de la traba y una la misma al canal de la cortadora con los elementos de ferretería previamente retirados. Las arandelas llanas deberían ser colocadas bajo las cabezas de cerrojo y contra la superficie interior del plástico chipper tolva. Ajuste bien. Vea la Figura 7.
 - B. Ajuste los bulones que unen la traba de sostén al bastidor.
 - C. Ajuste las tres tuercas de los espárragos de la soldadura que sostienen el canal de la cortadora a la caja del motor.

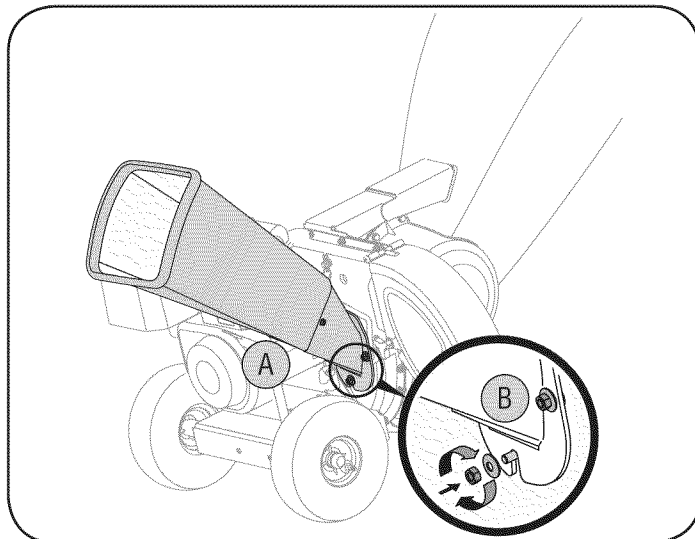


Figura 6

COLOCACIÓN DE LA BOLSA

1. Para adosar la bolsa:
 - A. Coloque la abertura de la bolsa completamente sobre el canal deflector.
 - B. Tire de la tira de extracción hasta que la bolsa quede ajustada alrededor de la abertura del canal deflector.
 - C. Vuelva a sujetar la tira de extracción sobre sí misma, apriétela contra el canal deflector para que quede firme en su lugar. Vea la Figura 8.

Ahora que ya ha ajustado su cortadora trituradora para su funcionamiento, familiarícese con sus controles y características. Estos se describen y se ilustran en esta página. Este conocimiento le permitirá utilizar su nuevo equipo a su máxima capacidad.

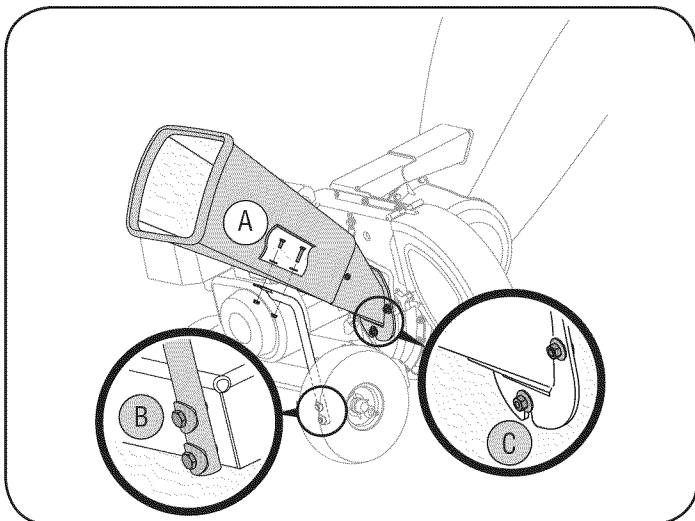


Figura 7

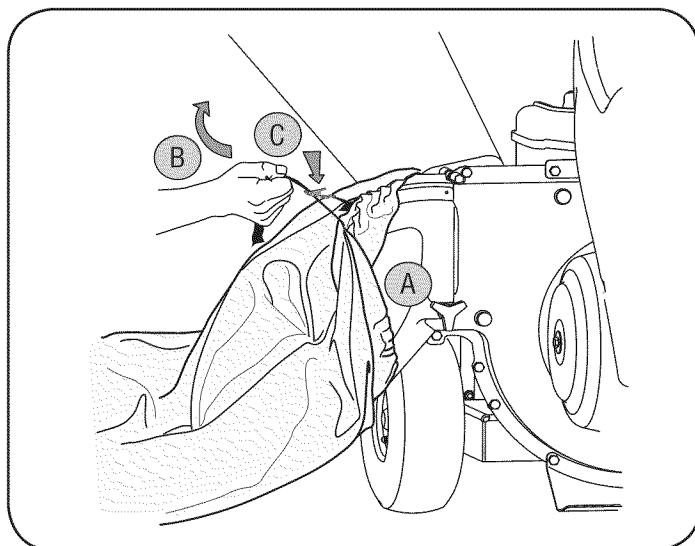


Figura 8

MONTAJE

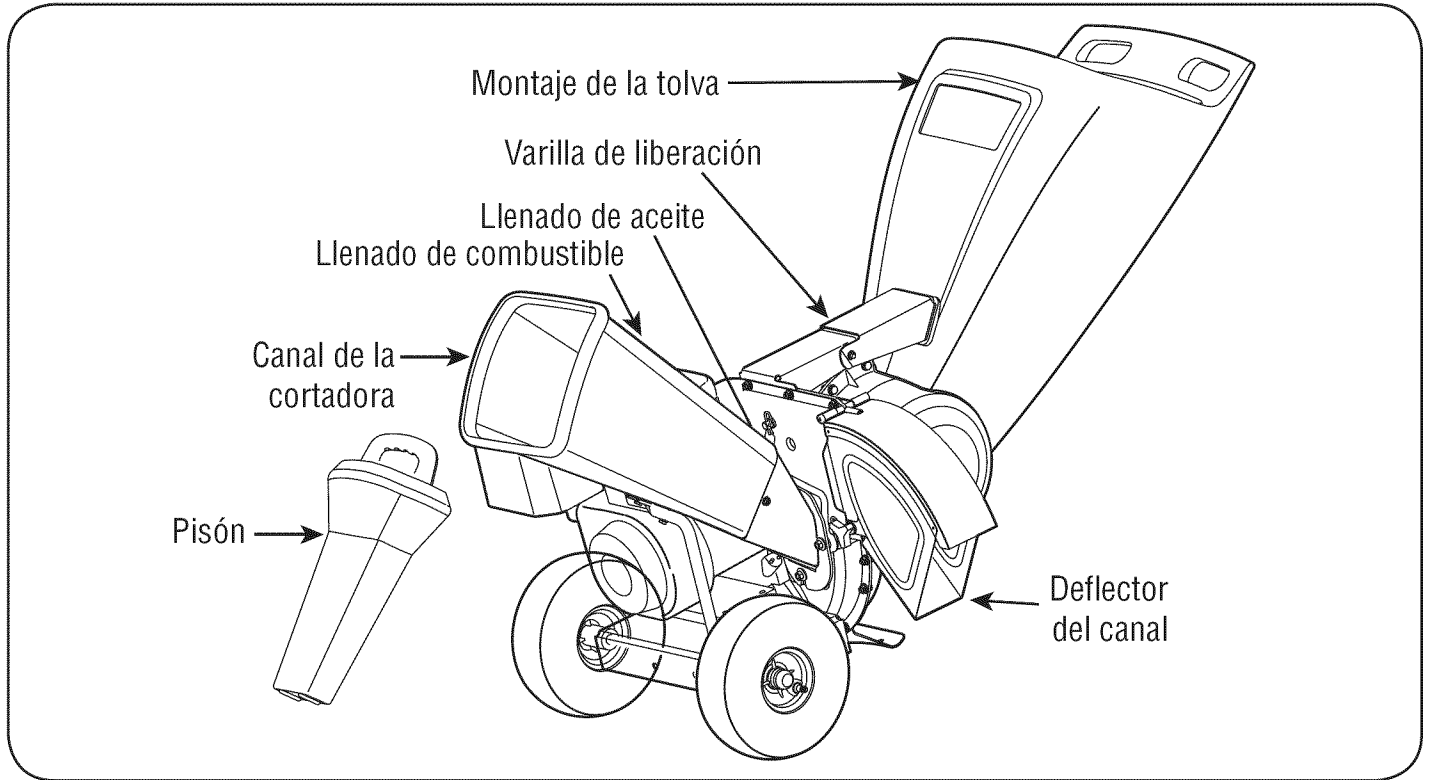


Figura 9

CANAL DE LA CORTADORA

Permite que las ramas pequeñas de hasta 3" de diámetro ingresen al motor para ser picadas. Vea la Figura 9.

MONTAJE DE LA TOLVA

Permita que las hojas y las ramas pequeñas de hasta 1/2 de diámetro ingresen al motor para ser picadas y trituradas. Bajando el montaje de la tolva se puede rastrillar material e introducirlo dentro del mismo. Vea la Figura 9.

VARILLA DE LIBERACIÓN

La varilla de liberación está ubicada en el montaje del soporte del motor y se usa para liberar o trabar la tolva al momento de subir o bajar. Vea la Figura 9.

DEFLECTOR DEL CANAL

Los desechos cortados y triturados se descargan fuera del deflector del canal. La unidad puede ser operada con o sin la bolsa de recolección adosada al deflector del canal. Vea la Figura 9.

PISÓN

Este enchufe es insertado en la tolva chipper para empujar ramitas y pequeñas ramas hacia las láminas de aspa sin poner en peligro sus manos.

⚠ ADVERTENCIA

Al operar una cortadora trituradora puede ser que objetos extraños sean arrojados a los ojos lo cual puede dañarlos gravemente. Utilice siempre los anteojos de seguridad provistos con esta unidad o protectores para ojos antes de picar o triturar el material o mientras realiza ajustes o reparaciones.

CONTROL DEL ESTRANGULADOR

Esta palanca controla la velocidad del motor y la función de detención. Mediante tres posiciones independientes de la palanca, de izquierda a derecha, la operación se realiza de la siguiente forma:

CONTROL DE OBTURACIÓN

El control de obturación se utiliza para cebar el carburador y ayudar a que el motor arranque.



Arranque /
funcionamiento



lento /
marcha lenta



Motor apagado

Cumple con los estándares de seguridad de ANSI

Las aspiradoras para patios de Craftsman cumplen con los estándares de seguridad del instituto estadounidense de estándares nacionales (ANSI).

OPERACIÓN

LLENADO DE GASOLINA Y ACEITE

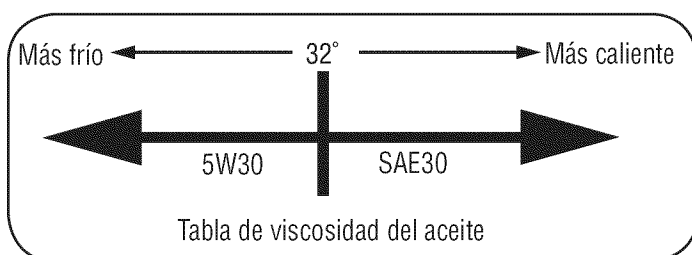
Aceite (se envía una botella junto con la unidad)

Primer uso

1. Quitar tapón de llenado de aceite.
2. Con la trituradora a nivel del suelo, el uso de un embudo para vaciar todo el contenido de la botella de aceite establecidas en el motor.
3. Sustituir tapón de llenado de aceite y apriete.

Usos posteriores

Use solamente un aceite detergente de alta calidad cuya clasificación de servicio API sea SF, SG o SH. Seleccione el grado de viscosidad SAE del aceite según la temperatura de operación esperada. Cumpla la tabla que aparece a continuación.



Aunque los aceites de viscosidad múltiple (5W30, 10W30, etc.) mejoran el encendido cuando el clima está frío, los mismos incrementan el consumo de aceite cuando se usan a más de 32°F. Compruebe el nivel de aceite con mayor frecuencia para evitar daños debido a que el motor trabaje con un nivel de aceite bajo.

1. Comprobar el nivel de aceite quitando el tapón de llenado de aceite y mirar hacia el orificio de llenado de aceite. De aceite debe ser visible a la parte inferior del tapón de llenado de aceite hilos. Llene el fondo de los temas tapón de llenado de aceite, si fuera necesario. La capacidad es de aproximadamente 28 oz. Llenado excesivo hará que el motor al humo profusamente y se traducirá en el rendimiento del motor pobres.
2. Sustituir tapón de llenado de aceite y apriete.
3. Mantenga el nivel de aceite en la marca FULL. Si pone el motor en marcha con muy poco aceite le puede causar daños permanentes.

⚠ ADVERTENCIA

Tenga extremo cuidado cuando manipule gasolina. La gasolina es altamente inflamable y sus vapores pueden causar explosiones. Nunca cargue combustible en la máquina en un espacio cerrado o cuando el motor está caliente o en marcha. Apague cigarrillos, cigarros, pipas y otras fuentes de combustión.

GASOLINA

1. Saque la tapa del combustible del depósito del mismo.
2. Verifique que el recipiente del que va a verter la gasolina esté limpio y libre de óxido o de objetos extraños. No use nunca gasolina que pueda estar vieja por haber estado almacenada en su recipiente por largos periodos. La gasolina que ha estado estacionada por un período superior a cuatro semanas debe considerarse vieja.

3. Llene el tanque de combustible sólo con gasolina normal sin plomo, limpia y fresca. No use gasolina que contenga METANOL. Vuelva a colocar la tapa de combustible en su lugar.

⚠ PRECAUCIÓN

Los combustibles con mezcla de alcohol (que se llaman gasohol, o que utilizan etanol o metanol) pueden atraer humedad, lo que conduce a la separación y formación de ácidos durante el almacenamiento. El gas ácido puede dañar el sistema de combustible del motor mientras la máquina está almacenada.

⚠ PRECAUCIÓN

Para evitar problemas con el motor, se debe vaciar el sistema de combustible antes de almacenar la máquina durante 30 días o más. Vacíe el tanque de nafta, encienda el motor y déjelo funcionar hasta que las líneas de combustible y el carburador estén vacíos. La siguiente temporada use combustible fresco. Consulte las Instrucciones de ALMACENAMIENTO si desea información adicional.

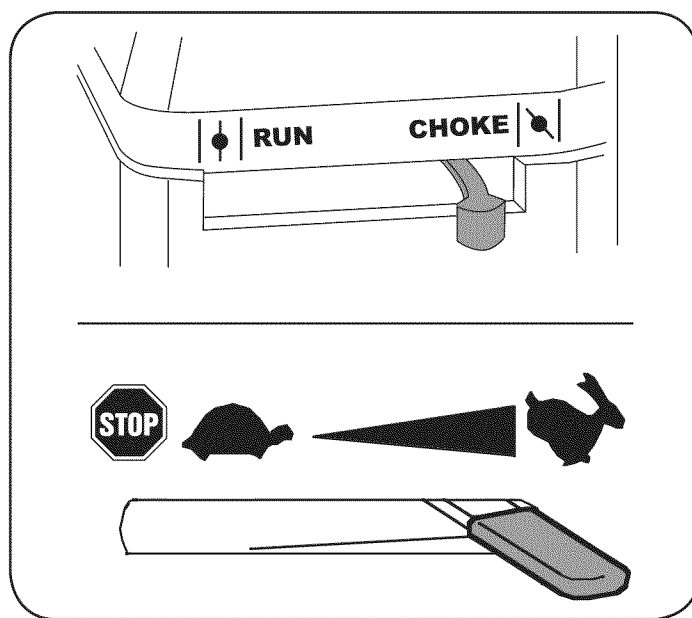
⚠ PRECAUCIÓN

No use nunca productos de limpieza para motores o carburadores en el depósito de combustible, se pueden ocasionar daños permanentes.



NOTA: Verifique periódicamente el nivel de combustible para evitar quedarse sin gasolina mientras está operando la cortadora trituradora. Si la unidad se queda sin combustible mientras está triturando, puede resultar necesario destapar el área de descarga antes de poder volver a encenderla. Consulte la sección SERVICIO Y MANTENIMIENTO.

PARA ENCENDER EL MOTOR


1. Conecte el cable de la bujía y la manga de goma a la misma.
2. Llene el tanque no más de 1/2 pulgada por debajo de la base del cuello del filtro para dejar espacio para la dilatación del combustible. Vea la figura 10.





OPERACIÓN

3. Gire la válvula de cierre de combustible a la posición EN.
4. Mueva el control del obturador hacia el control del regulador  para obturar el carburador del motor. (Si el motor está tibio la obturación puede no ser necesaria).
5. Mueva la palanca de control del estrangulador a la posición START/RUN (encendido / funcionamiento, representado por una liebre) . Vea la figura 10.
6. Situado detrás de la unidad, tome la manija del arrancador y tire de la cuerda hasta que sienta un tirón.

NOTA: Escuchará un sonido cuando alcance el comienzo del ciclo de compresión. Este sonido es causado por el descebado y los topes que son parte del mecanismo de la trituradora y es de esperar hasta que el motor alcance la máxima velocidad.

7. Tire de la cuerda de manera rápida y continua. Apriete bien la manija del arrancador. Deje que la cuerda se enrosque lentamente.
8. Repita este paso, de ser necesario, hasta que se encienda el motor. Cuando se enciende el motor mueva el control de obturación gradualmente lejos del control del estrangulador.
9. Si el motor falla, mueva el control del obturador hacia atrás, en dirección al control del estrangulador, y repita los pasos 5 a 8.
10. Mantenga SIEMPRE el control del estrangulador en posición START/RUN (encendido / funcionamiento) mientras opere la cortadora trituradora. 

PARA DETENER EL MOTOR

1. El regulador de movimiento controla la palanca para reducir la marcha (tortuga)  de la posición. Siempre que posible, gradualmente reduzca la velocidad de motor antes de parar el motor.
2. Mueva las palancas de control del regulador a la posición  STOP (detención) u OFF (apagado).
3. Gire la válvula de cierre de combustible a la posición OFF.
4. Desconecte el cable de la bujía y tierra contra el motor para evitar el arranque accidental mientras el equipo está desatendido.

TRITURACIÓN

El desecho que se acumula en los patios como por ejemplo las hojas y las agujas de los pinos puede ser colocado en la tolva para triturarlo. Después de procesar el material con la cuchilla de la trituradora y de desgranar, es empujado fuera del deflector del canal y, si está instalada, hacia el interior de la bolsa de recolección de desechos.

Respete las siguientes pautas cuando triture desechos que se acumulan en los patios:

- Sólo utilice la máquina para triturar el material que se encuentra en un patio normal (hojas, ramas, piñas de los pinos, etc.).
- Evitar la trituración las plantas fibrosas, como las vides de tomate, hojas de palma, etc, hasta que estén completamente secos. Frescas viñas no triture bien y tienden a envolverse en todo el impulsor y flails.
- Coloque cantidades razonables de desechos en la tolva por vez.

No sobrecargue la tolva.

- Permita que el material que se encuentra en la tolva sea atraído hasta las cuchillas y triturado antes de agregar más desechos dentro de la misma. De no hacerlo se puede tapar la tolva, el deflector del canal o detener el motor.

CORTE

Se puede permitir el ingreso de ramas de hasta 3" de diámetro en el canal de la cortadora. Respete las siguientes pautas para el corte de las ramas:

- Mantenga ambas manos firmemente en la rama a medida que la coloca dentro del canal de la cortadora.
- No ponga nunca más de una rama dentro del canal de la cortadora por vez.
- En el canal de la cortadora sólo se puede colocar ramas (de madera).
- Aplique presión intermitente (fuerza, en impulsos cortos) cuando coloque ramas más largas (de 3 pulgadas de diámetro) dentro del canal de la cortadora para evitar inundar o ahogar el motor.

IMPORTANTE: Nunca coloque ramas con un diámetro superior a tres (3) pulgadas dentro del canal de la cortadora. De hacerlo se pueden dañar gravemente las cuchillas de corte, el desgranado o el motor de la unidad.

NOTA: Para mejores resultados, opere siempre la unidad con cuchillas de corte afiladas. Si se produce una reducción apreciable en el rendimiento mientras se cortan ramas, se debe reemplazar las cuchillas de la cortadora.

CÓMO BAJAR EL MONTAJE DE LA TOLVA

1. Con una mano tome la manija que se encuentra en la parte superior del montaje de la tolva y levántela levemente.
2. Con la otra mano tire hacia afuera de la varilla de liberación y baje el montaje de la tolva hasta el piso.

CÓMO DESCARGAR LA BOLSA

1. Suelte la cuerda de extracción y afloje la bolsa de la abertura del canal deflector.
2. Vacíe la bolsa y vuelva a colocarla en la abertura del canal de descarga. Tire de la cuerda hasta que la bolsa esté ajustada alrededor de la abertura del canal y sujete la cuerda apretándola contra el canal deflector.

IMPORTANTE: La pantalla de desgranado está ubicada dentro de la caja en la zona de descarga. Si se tapa la pantalla de desgranado, sáquela y límpiela como se indica en la sección Servicio y Mantenimiento. Para obtener el mejor resultado también es importante mantener afilada la cuchilla de la cortadora.

SERVICIO Y MANTENIMIENTO

LISTA DE MANTENIMIENTO

⚠ ADVERTENCIA

Antes de realizar cualquier tipo del mantenimiento/servicio, suelte todos los mandos y pare el motor. Espere hasta que todas las partes de movimiento hayan venido a una parada completa. Desconecte el alambre de bujía y béselo contra el motor para prevenir el comienzo involuntario. Siempre lleve puestos cristales inastillables durante la operación o realizando cualquier ajuste o reparaciones.

Siga la lista de mantenimiento dada abajo. Esta carta describe pautas de servicio sólo. Use la columna de Tronco de Servicio para guardar la pista de tareas de mantenimiento completadas. Localizar el más cercano Chamusca el Centro de Servicio o programar el servicio, simplemente ponerse en contacto Chamusca en **1-800-4-MY-HOME®**.

Intervalo	Artículo	Servicio	Tronco de Servicio
Cada Uso	1. Nivel del aceite de motor 2. Hardware suelto o ausente 3. Unidad y motor	1. Comprobar 2. Apriete o sustituir 3. Limpio	
1os 5 - 8 horas	1. El aceite de motor	1. Cambio	
25 horas	1. El aceite de motor† 2. Filtro de aire 3. Encadenamientos de control y pivotes	1. Cambio 2. Sustituyen 3. Lubricación con petróleo ligero	
Anualmente o 50 horas	1. El aceite de motor 2. El silenciador	1. Cambio 2. Inspeccionar	
Anualmente o 100 horas	1. Bujía	1. Clean, check and reset gap, or replace spark plug.	
Antes de Almacenaje	1. Sistema de combustible	1. El motor dirigido hasta que esto se pare a falta del combustible o añada un aditivo de gasolina al gas en el tanque.	

† Bajo carga pesada o en temperaturas altas

⚠ ADVERTENCIA

Siempre detenga el motor y desconecte el cable de la bujía antes de hacer cualquier tipo de mantenimiento o ajustes. Utilice siempre anteojos de seguridad durante la operación o mientras ajusta o repara este equipo.

RECOMENDACIONES GENERALES

- Always observe all safety rules found on product labels and in this operator's manual when performing any maintenance. Safety rules can be found on the product labels and in this Operator's Manual beginning on page 36.
- La garantía de esta cortadora trituradora no cubre elementos que han estado sujetos al mal uso o negligencia del operador. Para recibir el reembolso total de la garantía, el operador deberá dar mantenimiento al equipo tal y como se indica en este manual.
- Algunos ajustes deben ser realizados periódicamente para el mantenimiento adecuado de la unidad.
- Revise periódicamente todos los sujetadores y compruebe que estén bien ajustados.

MANTENIMIENTO DE MOTOR

Servicio A La Bujía

Limpie la bujía y ajuste el espacio a 0.030" al menos una vez por estación; sustituya cada 100 horas de la operación.

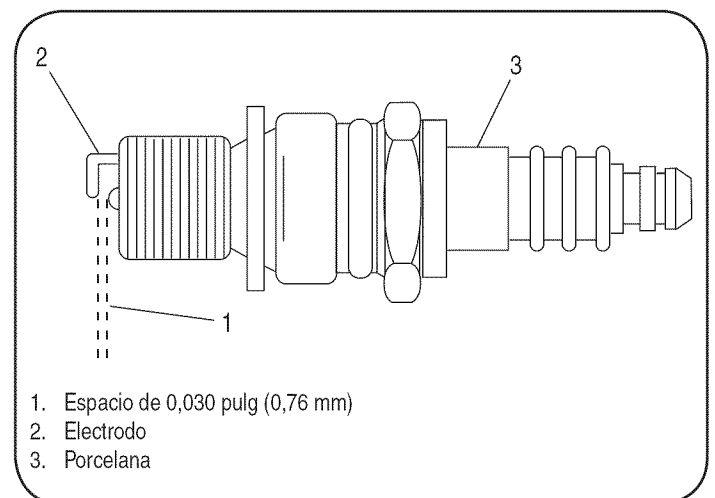


Figura 11

- Área limpia alrededor de la base de bujía. No lije la bujía. Se deben limpiar las bujías mediante raspado o tallado con cepillo de alambre y lavado con un solvente comercial.
- Quite e inspeccione la bujía. Compruebe el hueco para asegurarse que es puesto en .030". Vea la Figura 11.
- Sustituya la bujía si los electrodos son picados, quemados, o la porcelana es rajada.

SERVICIO Y MANTENIMIENTO

Servicio Del Filtro De Aire

⚠ PRECAUCIÓN

No use aire presurizado o solventes para limpiar el cartucho de filtro de aire.

El filtro de aire evita el ingreso al carburador de suciedad, polvo, etc. perjudiciales y evita que los mismos sean introducidos dentro del motor. Además, dicho filtro es importante para la vida útil y el rendimiento del motor. No ponga nunca en funcionamiento el motor sin haber montado totalmente el filtro de aire.

Sustituyen el filtro de aire cada 25 horas de la operación.

1. Suelte tornillos que sostienen la tapa de filtro de aire.
2. La tapa abierta y quite Filtro de aire. Vea la Figura 12.
3. Deseche el viejo Filtro de aire.
4. Instale el nuevo Filtro de aire.
5. Cierre la tapa y apriete tornillos.

NOTA: Si el filtro está roto o dañado, cámbielo.

Compruebe El Aceite Del Motor

1. Compruebe el petróleo antes de cada uso. Detenga el motor y espere varios minutos antes de verificar el nivel de aceite. Con el motor ubicado en suelo parejo, el aceite debe estar en la marca FULL (lleno) de la varilla del nivel de aceite.
2. Saque la varilla del nivel de aceite y limpie limpio con la tela.
3. Sustituya y apriete la varilla de aceite. Quite y compruebe el nivel del aceite. El nivel debería estar en la señal LLENA.
4. De ser necesario, añada el petróleo despacio - nuevo control. No sobrellenar.
5. Limpie la varilla de aceite limpia, sustituya y apretar. Quite y compruebe el nivel del aceite. El nivel del aceite debería estar en la línea LLENA en la varilla de aceite.

⚠ PRECAUCIÓN

No haga overfil. El sobrelleno con el petróleo puede hacer que el motor no comience, o con fuerza comienzo. Si sobre la señal LLENA en la varilla de aceite, drene el petróleo para reducir el nivel del aceite a la señal LLENA en la varilla de aceite.

Cambio Del Aceite Del Motor

- Use solamente un aceite detergente de alta calidad cuya clasificación de servicio API sea SF, SG o SH. Seleccione el grado de viscosidad SAE del aceite según la temperatura de operación esperada. Consulte la sección de operación para ver la tabla de viscosidad.
- Cambie el petróleo de motor después de las cinco a ocho primeras horas de la operación, y cada cincuenta horas o cada temporada a partir de entonces. Cambie el petróleo cada veinticinco horas cuando motor de operaciones bajo la carga pesada o en temperaturas altas.

Cómo Vaciar El Aceite

1. Vacíe el combustible del tanque haciendo funcionar el motor hasta que el tanque de combustible esté vacío.

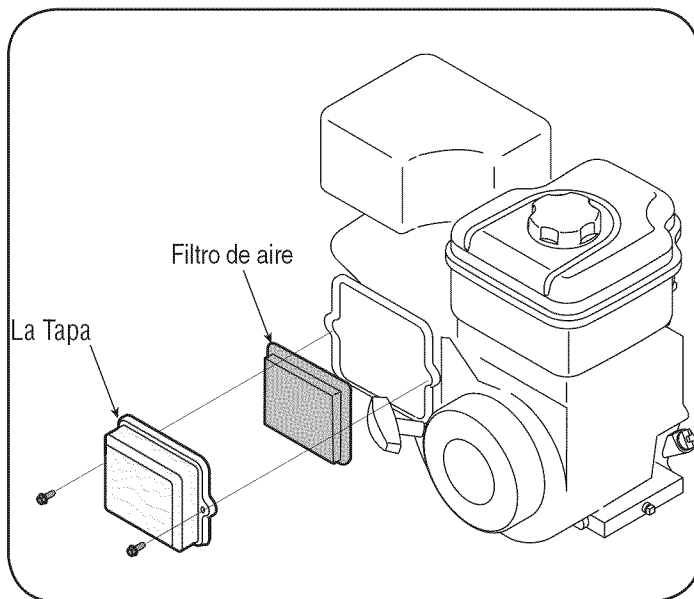


Figura 12

2. Con el motor LEJOS pero todavía calientan, desconecten la bujía lo alambran y guardan lejos de la bujía.
3. Quite el enchufe de desagüe del aceite cuadrado localizado en la base del motor, y drene el petróleo en un receptáculo apropiado. Vea la Figura 13 en la página 15.
4. Sustituya y apriete el enchufe de desagüe del aceite.
5. Cuando el motor es drenado de todo el petróleo, nivel de motor de lugar. Recambio con aproximadamente 28 onz. de petróleo fresco. Llénese a la línea LLENA en la varilla de aceite. No

⚠ PRECAUCIÓN

El petróleo usado es un desecho arriesgado. Elimine el petróleo usado correctamente. No deseche con la basura de la casa. Compruebe con sus autoridades locales o Chamusca el Centro de Servicio para instalaciones de disposición/reciclaje seguras.

- sobrellenar. Consulte comprobar el aceite del motor en este SERVICIO Y MANTENIMIENTO sección.
6. Sustituya el alambre de bujía antes del comienzo.

Servicio Al Silenciador

Inspeccione el silenciador cada 50 horas y reemplácelo de ser necesario. Los repuestos para el silenciador deben ser el mismo e instalado en la misma posición que las partes originales.

⚠ ADVERTENCIA

La temperatura del silenciador y las áreas cercanas puede superar los 150° F (65° F). Evite esas zonas.

SERVICIO Y MANTENIMIENTO

Limpieza Del Motor

- Diariamente o antes de cada uso, limpie hierba, barba o escombros acumulados del motor. Guarde encadenamiento, primavera, y mandos limpios. Guarde el área alrededor y detrás del silenciador sin cualesquiera escombros combustibles.
- El cuidado del motor limpio permite el movimiento aéreo alrededor del motor.
- Las partes de motor deberían ser guardadas limpias para reducir el riesgo de recalentarse y la ignición de escombros acumulados. Este es sobre todo importante cortando la alta hierba.

⚠ PRECAUCIÓN

No use el agua para limpiar partes de motor. El agua podría contaminar el sistema de combustible. Use un cepillo o la tela seca.

Ajuste de Carburador

El carburador en este motor no es ajustable.

Velocidad de Motor

⚠ ADVERTENCIA

No intente cambiar la velocidad de motor manipulando el encadenamiento de gobernador del motor. Haciendo tan podría causar la herida personal seria y dañar al motor. Las REVOLUCIONES POR MINUTO de motor han sido puestas en la fábrica.

LUBRICACIÓN

- **Montaje de la tolva** - Lubrica los puntos de pivote en la montaje de la tolva con el petróleo ligero una vez una temporada.
- **Deflector del canal** - Lubrica los puntos de pivote en el deflector del canal con el petróleo ligero una vez una temporada.
- **La Vara de Liberación** - Lubrica la vara de liberación y la primavera con el petróleo ligero una vez una temporada.

LIMPIEZA DEL EQUIPO

- Limpie cuidadosamente la cortadora trituradora después de cada uso.
- Lave la bolsa con agua periódicamente. Permita que se seque bien en un sitio a la sombra.
- Si se tapa la pantalla de desgranado, sáquela y límpiela como se indica abajo.

NOTA: La limpieza con un chorro de agua a presión no se recomienda, ya que el sistema de combustible podría resultar contaminado.

⚠ ADVERTENCIA

Antes de realizar cualquier tipo del mantenimiento en la máquina, espere todas las partes a dejar de moverse y desconectar el alambre de bujía. El fracaso de seguir esta instrucción podría causar la herida personal o el daño a la propiedad.

EXTRACCIÓN DE LA PANTALLA DE DESGRANADO

Si la zona de descarga se tapa, saque la pantalla de desgranado y limpie la zona como se indica a continuación:

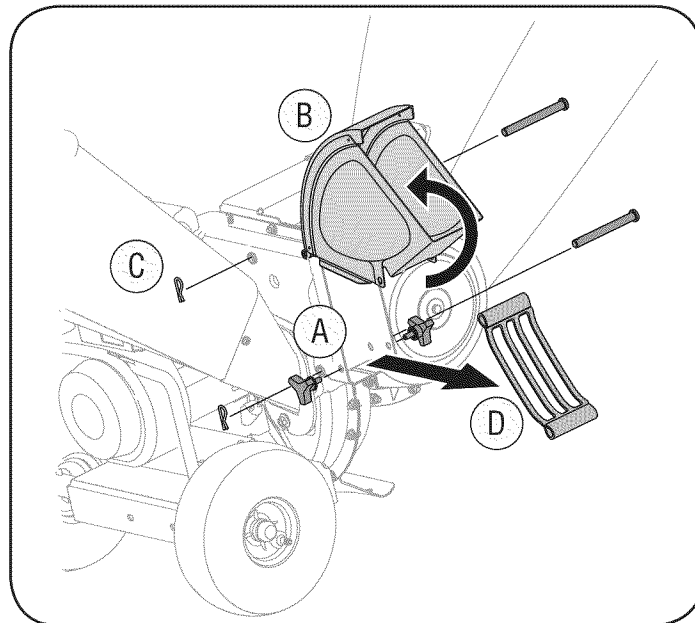


Figura 13

1. Detenga el motor y compruebe que la cortadora trituradora se haya detenido por completo.
2. Desconecte el cable de la bujía y póngalo haciendo masa contra el motor.
3. A. Retire la bolsa y dos perillas a mariposa a cada lado del canal deflector. Vea la Figura 13.
B. Levante el canal deflector para mantenerlo fuera del paso.
C. Saque los dos broches de horquilla de cada pasador de horquilla que se extiende cruzando la caja y saque los pasadores.
D. Saque la pantalla de desgranado del interior de la caja y limpie la pantalla cepillándola o lavándola con agua. Vea la Figura 13.
4. Vuelva a colocar la pantalla y asegúrese de reensamblarla con el lado curvo hacia abajo.
5. Vuelva a unir el canal deflector con los elementos de ferretería previamente sacados y conecte la bolsa a la unidad.

AFILADO O RECAMBIO DE LAS CUCHILLAS DE LA CORTADORA

1. Desconecte el cable de la bujía y póngalo de manera que haga masa contra el motor.
2. Saque la pantalla de desgranado conforme se indica en la sección anterior.
3. Saque el canal de la cortadora quitando tres tuercas hexagonales y arandelas.
4. Saque del bastidor la traba de sostén del canal de la cortadora quitando los bulones hexagonales.
5. Gire el montaje del motor en forma manual hasta ubicar una de las dos cuchillas de la cortadora en la abertura del canal de la cortadora.
6. Para sacar la cuchilla saque los tornillos hexagonales internos, las arandelas de seguridad y las tuercas hexagonales que la sujetan al motor. Guarde los elementos de ferretería. Vea la Figura 14.

SERVICIO Y MANTENIMIENTO

NOTA: Use una llave hexagonal de 3/16" (Allen) en el exterior de la cuchilla y una llave de tubo de 1/2" (o cubo) en el interior del motor. Sostenga la llave Allen firmemente y gire la llave de tubo (o cubo) para aflojar la tuerca.

7. Coloque una cuchilla de repuesto (Número de pieza 742-0544) con los elementos de ferretería que extrajo anteriormente o afílela.

IMPORTANTE: Cuando afila la cuchilla, protéjase las manos utilizando guantes. Siga el ángulo original de afilado y asegúrese de extraer una cantidad igual de cada cuchilla.

8. Para reemplazar la otra cuchilla, gire el motor para exponer la segunda cuchilla y repita los pasos anteriores.

NOTA: Asegúrese de que las hojas se volvieron con el borde afilado en la misma dirección como cuando se retiran. Par de hardware a 250 - 300 pulgadas lbs.

AFILADO O CAMBIO DE LA CUCHILLA DE LA TRITURADORA

1. Detenga el motor y verifique que todas las piezas móviles se hayan detenido por completo.

⚠ ADVERTENCIA

Las cuchillas de trituración y la cuchilla de corte del motor son filosas. Utilice guantes de trabajo de cuero para protegerse las manos.

2. Desconecte el cable de la bujía y póngalo de manera que haga masa contra el motor.
3. Baje el montaje de la tolva y trabe la caja.
4. Saque las seis tuercas hexagonales de seguridad y las arandelas planas de los espárragos de la soldadura de la caja de desgranado. Guarde los elementos de ferretería.
5. Con mucho cuidado separe el montaje de la tolva del montaje del motor y retire la placa de sostén.

NOTA: Cuando vuelva a montar la placa de sostén compruebe que la aleta grabada mire hacia adentro hacia el motor.

6. Saque las dos perillas a mariposa que unen el canal deflector y levántelo.
7. Inserte un tubo de 1/2" o 3/4" de diámetro a través de la pantalla de desgranado hacia el interior del motor para evitar que el mismo gire o saque la pantalla de desgranado e inserte un trozo de madera en la abertura del canal.
8. A. Saque los dos tornillos hexagonales internos, las arandelas de seguridad y las tuercas de seguridad hexagonales que sujetan la cuchilla de la trituradora al motor.
B. Saque el perno hexagonal, la arandela de seguridad y la arandela plana para liberar totalmente la cuchilla de la trituradora. Vea la Figura 15.

IMPORTANTE: Cuando vuelva a montar la cuchilla de trituración ajuste el bulón central entre 550 y 700 pulgadas libras y los dos bulones exteriores entre 250 y 350 pulgadas libras.

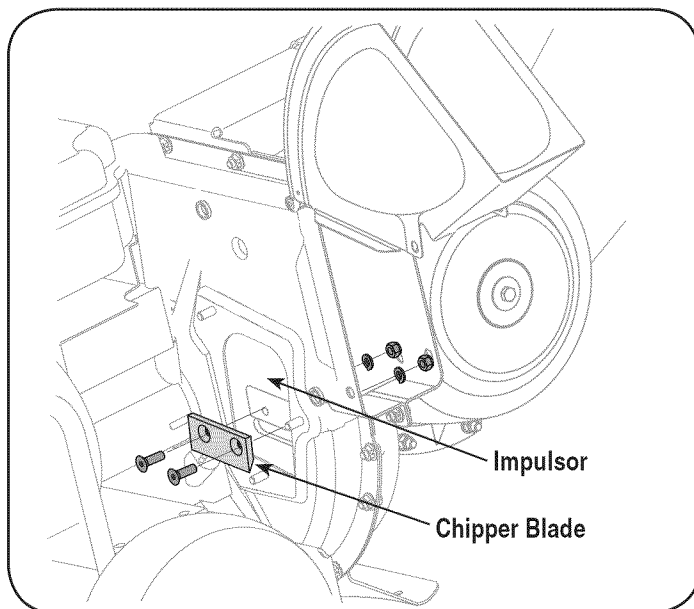


Figura 14

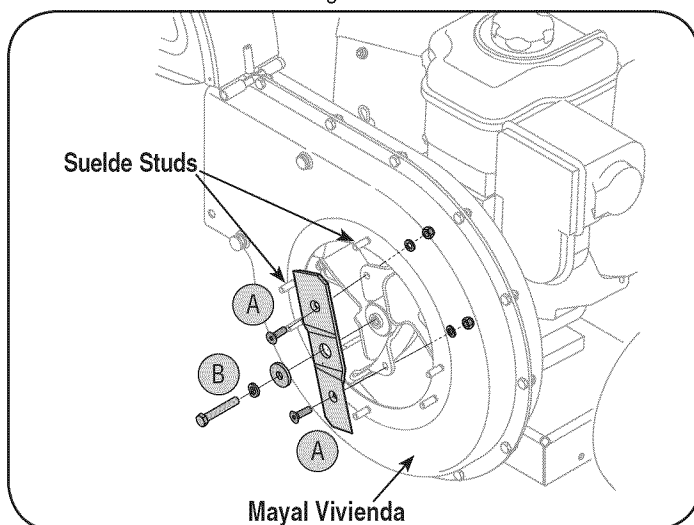


Figura 15

NOTA: Use una llave hexagonal de 3/16" (Allen) en el exterior de la cuchilla de la trituradora y una llave de tubo de 1/2" (o cubo) en el interior de la cuchilla de la trituradora. Sostenga la llave Allen firmemente y gire la llave de tubo (o cubo) para aflojar la tuerca. Tenga precaución cuando saque la cuchilla para evitar el contacto con los espárragos de la soldadura de la caja.

IMPORTANTE: Cuando afila la cuchilla, siga el ángulo original de afilado como guía. Es de suma importancia que cada extremo de corte sea desbastado de igual manera para evitar que la cuchilla quede desequilibrada. Si la cuchilla está desequilibrada producirá una vibración excesiva cuando gire a alta velocidad y puede dañar la unidad. Se puede probar la cuchilla balanceándola sobre un destornillador o clavo. Saque metal del lado pesado hasta que quede bien balanceada.

ALMACENAMIENTO FUERA DE TEMPORADA

WARNING

Nunca almacene cortadora trituradora con el combustible en el tanque dentro o en áreas mal ventiladas donde los vapores de combustible pueden alcanzar una llama abierta, la chispa, o el piloto como en un horno, calentador de agua, secador de ropa, o aplicación de gas.

PREPARACIÓN DEL MOTOR

Ya que los motores almacenaron más de 30 días:

1. Para impedir a la goma formarse en el sistema de combustible o en partes de carburador, dirijas el motor hasta que esto se pare a falta del combustible o añadir un aditivo de gasolina al gas en el tanque. Si usted usa un aditivo de gas, dirige el motor durante varios minutos para poner en circulación el aditivo por el carburador — después que el motor y el combustible pueden ser almacenados hasta seis meses.
2. Mientras el motor está todavía caliente, cambiar el aceite. Véase Cambio de aceite del motor en la sección SERVICIO Y MANTENIMIENTO.
3. Retire la bujía y vierta aproximadamente 1 oz. (30 ml) de aceite de motor limpio en el cilindro. Saque el arranque varias veces para distribuir el petróleo, y volver a instalar la bujía.
4. Limpie el motor de escombros superficiales.

LA PREPARACIÓN LA CORTADORA TRITURADORA

- Almacenando cortadora trituradora en un cobertizo de almacenaje no ventilado o metálico, el cuidado debería ser tomado a inoxidable las superficies no pintadas. Usando un petróleo ligero o silicona, cubra el equipo, sobre todo cualquier primavera, portes, y cables.
- Quite toda la suciedad del exterior de motor y equipo.
- Siga recomendaciones de lubricación.
- Equipo de tienda en un área limpia, seca. No almacene en un área donde el equipo está presente que puede usar un piloto o tiene un componente que puede cree una chispa.

SOLUCIÓN DE PROBLEMAS

⚠ ADVERTENCIA

Antes de realizar cualquier tipo del mantenimiento/servicio, suelte todos los mandos y pare el motor. Espere hasta que todas las partes de movimiento hayan venido a una parada completa. Desconecte el alambre de bujía y bázelo contra el motor para prevenir el comienzo involuntario. Siempre lleve puestos cristales inastillables durante la operación o realizando cualquier ajuste o reparaciones.

Problema	Causa	Remedio
El motor no arranca	<ol style="list-style-type: none"> 1. La palanca del regulador no está en la posición de arranque correcta 2. La palanca de obturación no está en la posición ON (encendido) 3. Se ha desconectado el cable de la bujía 4. La bujía no funciona correctamente 5. El tanque de combustible está vacío o el combustible es viejo 6. No se puede tirar de la cuerda de retroceso 7. El motor se desbordó. 	<ol style="list-style-type: none"> 1. Mueva la palanca del regulador a la posición START (inicio)/RUN (dirigido). 2. Ponga el interruptor en la posición CHOKE (obturación). 3. Conecte el cable a la bujía. 4. Limpie, ajuste la distancia disruptiva o cambie. 5. Llene el tanque con gasolina limpia y fresca. 6. Hay una obstrucción en el motor. Desconecte el cable de la bujía y retire el objeto atascado. 7. Espere unos minutos para reactivarse.
El motor funciona de manera errática	<ol style="list-style-type: none"> 1. La unidad está funcionando en la posición CHOKE (obturación) 2. El cable de la bujía está flojo 3. El combustible es viejo 4. Agua o suciedad en el sistema del combustible 5. El filtro de aire está sucio 6. RPM del motor bajas 7. Es necesario ajustar el carburador 	<ol style="list-style-type: none"> 1. Cambie la palanca de obturación a la posición OFF (apagado). 2. Conecte y ajuste el cable de la bujía. 3. Llene el tanque con gasolina limpia y fresca. 4. Vacíe el tanque del combustible. Vuelva a llenarlo con combustible limpio. 5. Limpie o cambie el filtro de aire. 6. Siempre accione el motor con el estrangulador al máximo. 7. Contacte con su centro de partes y reparaciones Sears.

SOLUCIÓN DE PROBLEMAS

⚠ ADVERTENCIA

Antes de realizar cualquier tipo del mantenimiento/servicio, suelte todos los mandos y pare el motor. Espere hasta que todas las partes de movimiento hayan venido a una parada completa. Desconecte el alambre de bujía y béselo contra el motor para prevenir el comienzo involuntario. Siempre lleve puestos cristales inastillables durante la operación o realizando cualquier ajuste o reparaciones.

Problema	Causa	Remedio
El motor recalienta	<ol style="list-style-type: none"> 1. El nivel de aceite del motor es bajo 2. Flujo de aire restringido 	<ol style="list-style-type: none"> 1. Llene el cárter con la adecuada selección de aceite. 2. Recortes de periódico de hierba limpios y escombros de alrededor de las aletas de refrigeración del motor y alojamiento de soplador.
Salto ocasionales (pausas) a alta velocidad	<ol style="list-style-type: none"> 1. La distancia disruptiva de la bujía es muy poca 	<ol style="list-style-type: none"> 1. Quite la bujía y ajuste el hueco.
El motor funciona en vacío mal	<ol style="list-style-type: none"> 1. Bujía ensuciada 2. El filtro de aire está sucio 	<ol style="list-style-type: none"> 1. Sustituya la bujía y ajuste el hueco. 2. Limpie o cambie el filtro de aire.
Demasiada vibración	<ol style="list-style-type: none"> 1. Hay partes que están flojas o el motor está dañado 	<ol style="list-style-type: none"> 1. Detenga el motor de inmediato y desconecte el cable de la bujía. Contacte con su centro de partes y reparaciones Sears.
La unidad no descarga	<ol style="list-style-type: none"> 1. El área de descarga está tapada 2. Hay un objeto extraño en el motor 3. RPM del motor bajas 	<ol style="list-style-type: none"> 1. Detenga el motor de inmediato y desconecte el cable de la bujía. Limpie la pantalla de desgranado y el interior de la abertura de descarga. 2. Detenga el motor y desconecte el cable de la bujía. Saque el objeto extraño del motor. 3. Siempre accione el motor con el estrangulador al máximo.
La tasa de descarga se reduce de manera considerable o cambia la composición del material descargado	<ol style="list-style-type: none"> 1. RPM del motor bajas 2. La hoja de la cortadora está desafilada 	<ol style="list-style-type: none"> 1. Siempre accione el motor con el estrangulador al máximo. 2. Reemplace la hoja de la cortadora o contacte a su centro de reparaciones y partes Sears.

(Esta página se aplica sólo en EE.UU. y Canadá).

**Sears Brands Management Corporation, el Consejo de Recursos Ambientales de California (CARB)
y la Agencia de Protección Ambiental de los Estados Unidos (EPA)**

Declaración de garantía del sistema de control de emisiones (derechos y obligaciones de la garantía de defectos del propietario)

LA COBERTURA DE LA GARANTÍA DE CONTROL DE EMISIONES ES APLICABLE A LOS MOTORES CERTIFICADOS COMPRADOS EN CALIFORNIA EN 1995 Y POSTERIORMENTE, QUE SE UTILIZAN EN CALIFORNIA,

Declaración de garantía sobre defectos en el control de emisiones para California y los Estados Unidos

El Consejo de Recursos Ambientales de California (CARB), la EPA (Agencia de Protección Ambiental de los EE.UU.) y Sears tienen el gusto de explicar la garantía del sistema de control de emisiones para motores del año 2000 y para el futuro con relación a motores pequeños todo terreno (SORE). En California, los nuevos motores pequeños todo terreno deben estar diseñados, construidos y equipados para cumplir con las rigurosas normas anti-smog del estado. En el resto de los Estados Unidos, los motores nuevos todo terreno de encendido por chispa certificados para el año 1997 deben cumplir estándares similares establecidos por la EPA. Sears debe garantizar el sistema de control de emi-

Y PARA LOS MODELOS CERTIFICADOS DEL AÑO 1997 Y POSTERIORES, QUE SE COMPREN Y UTILICEN EN CUALQUIER PARTE DE LOS ESTADOS UNIDOS (Y A PARTIR DEL 1 DE ENERO DE 2001 EN CANADÁ).

siones de su motor para los períodos de tiempo enumerados a continuación, siempre que no haya abuso, negligencia o mantenimiento indebido de su motor todo terreno pequeño. Su sistema de control de emisiones puede incluir piezas tales como el carburador, el filtro de aire, el sistema de encendido, el silenciador y el convertidor catalítico. También puede incluir conectores y otras unidades relacionadas con las emisiones. Donde exista una condición cubierta por la garantía, Sears reparará su pequeño motor todo terreno sin costo alguno incluyendo diagnóstico, piezas y mano de obra

Cobertura de la garantía Sears para defectos en el control de emisiones

Los motores todo terreno pequeños están garantizados en lo relativo al control de emisiones para defectos en piezas durante un período de dos años, sujeto

Responsabilidades del propietario en relación con la garantía

Como propietario del motor todo terreno pequeño, Ud. es responsable de la realización del mantenimiento requerido que se incluye en las instrucciones de operación y mantenimiento. Sears recomienda que se conserven todos los recibos relativos al mantenimiento de su motor todo terreno pequeño, pero no puede denegar la garantía simplemente por la falta de los mismos, o por su incumplimiento del mantenimiento programado. Como propietario del motor todo terreno pequeño debe saber que, sin embargo, Sears le puede negar la cobertura de la garantía si su motor todo terreno pequeño o una pieza del mismo han fallado debido a abuso, negligencia, mantenimiento indebido o

Disposiciones de la garantía Sears para defectos en el control de emisiones

Las siguientes son disposiciones específicas relacionadas con la cobertura de la garantía para defectos en el control de emisiones. Es un añadido a la garantía de motor Sears para motores no regulados que se encuentra en las instrucciones de funcionamiento y mantenimiento.

1. Piezas con garantía

La cobertura de esta garantía se extiende únicamente a las piezas que aparecen a continuación (las partes de los sistemas de control de emisiones), siempre que dichas piezas estuvieran ya en el motor en el momento de su compra.

- a. Sistema de medición de combustible
 - Sistema de enriquecimiento para arranque en frío
 - Carburador y partes internas
 - Bomba de combustible
- b. Sistema de inducción de aire
 - Filtro de aire
 - Colector de admisión
- c. Sistema de encendido
 - Bujía(s) de encendido
 - Sistema de encendido magneto
- d. Sistema del catalizador
 - Convertidor catalítico
 - Colector de escape
 - Sistema de inyección de aire o válvula de impulsos
- e. Elementos variados usados en los sistemas anteriores
 - Válvulas de vacío, sensibles a temperatura, posición y tiempo e interruptores
 - Conectores y montajes

2. Alcance de la cobertura

Sears garantiza al poseedor inicial y a los compradores subsiguientes que las piezas con garantía no tendrán defectos en materiales ni mano de obra que provoquen la falla de las mismas durante un período de dos años a partir de la fecha en que el motor se entrega a un comprador particular.

3. Sin cargo

La reparación o reemplazo de cualquier parte con garantía se realizará

a las disposiciones que se indiquen a continuación. Si una parte de su motor cubierta por la garantía es defectuosa, Sears reparará o sustituirá dicha parte.

a modificaciones no aprobadas. Ud. es responsable de presentar su motor todo terreno pequeño a un distribuidor de servicios Sears autorizado tan pronto como aparezca un problema. Las reparaciones de la garantía sin conflicto deben completarse en un plazo de tiempo razonable, no superior a 30 días. Si tiene alguna pregunta respecto a sus derechos y responsabilidades referentes a la garantía, debe contactar con un representante de servicios Sears al 1--800--469--4663. La garantía de emisiones es una garantía por defectos. Los defectos se juzgan de acuerdo con el funcionamiento normal de un motor. La garantía no está relacionada con una prueba de emisiones en uso.

sin cargo alguno para el poseedor, incluyendo tareas de diagnóstico que permitan determinar si una parte con garantía es defectuosa, siempre que dicho diagnóstico se realice en un distribuidor de servicios Sears autorizado. Para el servicio de la garantía de emisiones, contacte al distribuidor de servicios Sears autorizado más cercano incluido en las "Páginas amarillas" en las categorías "Motores, gasolina", "Motores de gasolina", "Podadoras de césped", o similares.

4. Reclamaciones y exclusiones a la cobertura

Las reclamaciones de la garantía deben enviarse de acuerdo con las disposiciones de la política de garantía para motores Sears. La cobertura de la garantía excluirá defectos en piezas con garantía que no sean partes originales Sears, o abuso, negligencia o mantenimiento incorrecto, tal y como se establece en la política de garantía para motores Sears. Sears no es responsable de las fallas en piezas con garantía provocadas por el uso de partes añadidas, que no sean originales o que se hayan modificado.

5. Mantenimiento

Cualquier parte con garantía que no esté programada para ser reemplazada como mantenimiento requerido, o que sólo deba inspeccionarse regularmente al efecto de "inspeccione o reemplace según sea necesario", estará garantizada contra defectos durante el período de la garantía. Todas las piezas garantizadas que estén programadas para su reemplazo para cumplir con los requisitos de mantenimiento estarán garantizadas sólo por el período anterior al primer reemplazo programado para dicha pieza. Cualquier pieza de recambio que sea equivalente en funcionamiento y durabilidad puede usarse para realizar mantenimiento o reparaciones. El propietario es responsable de realizar todo el mantenimiento requerido, tal y como se define en las instrucciones de funcionamiento y mantenimiento Sears

6. Cobertura indirecta

Por la presente, la cobertura se extiende a la falla de cualquier componente de motor provocada por la falla de una pieza con garantía que esté todavía en período de garantía.

En los Estados Unidos y Canadá hay una línea de atención de 24 horas, **1-800-469-4663**, que cuenta con un menú con mensajes pre-grabados que contienen información para el mantenimiento de motores.

Busque el período de duración de emisiones importantes y la información de clasificación de aire en la etiqueta de emisiones de su motor

Los motores cuyo cumplimiento con los estándares de emisión Tier 2 de la Comisión de Recursos Ambientales de California (CARB) esté certificado deben exhibir la información relacionada con el período de duración de las emisiones y la clasificación de aire. Sears Brands Management Corporation ponen esta información a disposición del consumidor en nuestras etiquetas de emisiones.

El Período de Duración de las Emisiones describe el número de horas de tiempo real de funcionamiento para el cual se certifica que el motor cumple con las reglas de emisión, descontando el mantenimiento adecuado del mismo según las instrucciones de operación y mantenimiento. Se utilizan las siguientes categorías:

Moderado: Se certifica que el motor cumple con las reglas de emisión durante 125 horas de tiempo real de funcionamiento del motor.

Inmediato: Se certifica que el motor cumple con las reglas de emisión durante 250 horas de tiempo real de funcionamiento del motor.

Extendido: Se certifica que el motor cumple con las reglas de emisión durante 500 horas de tiempo real de funcionamiento del motor.

Por ejemplo, una cortadora de césped típica que se empuja desde atrás se usa entre 20 y 25 horas por año. Por lo tanto, el **Período de Duración de Emisiones** de un motor con una **clasificación intermedia** sería equivalente a entre 10 y 12 años.

La **clasificación de aire** es un número calculado para describir el nivel relativo de emisiones para un grupo de motores en particular. Cuanto menor sea la **clasificación de aire**, mayor es la limpieza del motor. La información se presenta de forma gráfica en la etiqueta de emisiones.

Después del 1 de julio de 2000, busque el período de cumplimiento de las reglas de emisiones en la etiqueta de cumplimiento de las reglas de emisiones del motor

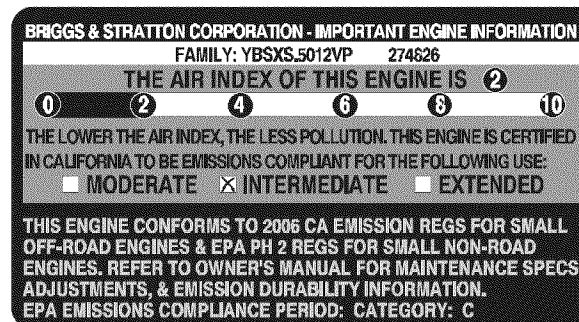
Después del 1 de julio de 2000 se certificará que determinados motores Sears Brands Management Corporation cumplen con los estándares de emisiones de la fase 2 de la Agencia de Protección Ambiental de los Estados Unidos (USEPA). Para los motores certificados para la etapa 2, el período de cumplimiento con las reglas de emisiones al cual se hace referencia en la etiqueta de cumplimiento con las reglas de emisiones indica el número de horas de funcionamiento para el cual se ha demostrado que el motor cumple con los requerimientos federales de emisión.

Para los motores con desplazamiento inferior a 225 cc, Categoría C = 125 horas, B = 250 horas y A = 500 horas.

Para los motores con desplazamiento de 225 cc o más, Categoría C = 250 horas, B = 500 horas y A = 1000 horas.

El desplazamiento de los motores de la serie modelo 150112 es 249 cc.

La presente es una representación genérica de la etiqueta de emisión que se encuentra generalmente en un motor certificado.



ACUERDO DE PROTECCIÓN PARA REPARACIONES

Felicitaciones por haber realizado una adquisición inteligente. El producto Craftsman® que ha adquirido está diseñado y fabricado para brindar muchos años de funcionamiento confiable. Pero como todos los productos a veces puede requerir de reparaciones. Es en ese momento cuando el disponer de un Acuerdo de protección para reparaciones le puede ahorrar dinero y problemas.

A continuación se detallan los puntos incluidos en el Acuerdo:

- ☑ **Servicio experto** prestado por nuestros 10,000 especialistas en reparaciones profesionales
- ☑ **Servicio ilimitado sin cargo** para las piezas y la mano de obra en todas las reparaciones cubiertas
- ☑ **Reemplazo del producto** hasta 1500 dólares si no es posible reparar el producto cubierto
- ☑ **Descuento de 25%** del precio normal del servicio y de las piezas relacionadas con el mismo que no estén cubiertas por el acuerdo; además, 25% del precio normal de la verificación de mantenimiento preventivo
- ☑ **Ayuda rápida por teléfono** - lo llamamos Resolución Rápida – el apoyo telefónico de un Chamusca al representante. Piense en nosotros como el manual “de un dueño hablador.”

Una vez adquirido el Acuerdo, puede programar el servicio con tan sólo realizar una llamada telefónica. Puede llamar en cualquier momento del día o de la noche o programar un servicio en línea.

El Acuerdo de Protección de Reparación es una compra sin riesgo. Si usted anula por alguna razón durante el período de garantía de producto, proporcionaremos un reembolso lleno. O, un reembolso prorrateado en cualquier momento después del período de garantía de producto expira. ¡Adquiera hoy su acuerdo de protección para reparaciones!

Se aplican determinadas limitaciones y exclusiones. Para obtener información adicional y precios en los Estados Unidos llame al 1-800-827-6655.

El *Coverage en Canadá varía en algunos artículos. Para detalles llenos la llamada Chamusca Canadá en 1-800-361-6665.

Servicio de instalación de Sears

Si desea solicitar la instalación profesional de Sears de aparatos domésticos, dispositivos para abrir portones, calentadores de agua y otros artículos domésticos importantes, en los Estados Unidos o Canadá llame al **1-800-4-MY-HOME®**.

Get it fixed, at your home or ours!

Your Home

For troubleshooting, product manuals and expert advice:



www.managemylife.com

For repair – **in your home** – of **all** major brand appliances, lawn and garden equipment, or heating and cooling systems, **no matter who made it, no matter who sold it!**

For the replacement parts, accessories and owner's manuals that you need to do-it-yourself.

For Sears professional installation of home appliances and items like garage door openers and water heaters.

1-800-4-MY-HOME[®] (1-800-469-4663)

Call anytime, day or night (U.S.A. and Canada)

www.sears.com www.sears.ca

Our Home

For repair of carry-in items like vacuums, lawn equipment, and electronics, call anytime for the location of your nearest

Sears Parts & Repair Service Center

1-800-488-1222 (U.S.A.)

www.sears.com

1-800-469-4663 (Canada)

www.sears.ca

To purchase a protection agreement on a product serviced by Sears:

1-800-827-6655 (U.S.A.)

1-800-361-6665 (Canada)

Para pedir servicio de reparación a domicilio, y para ordenar piezas:

1-888-SU-HOGAR[®]

(1-888-784-6427)

www.sears.com

Au Canada pour service en français:

1-800-LE-FOYER^{MC}

(1-800-533-6937)

www.sears.ca

The Sears logo, featuring the word "Sears" in a large, stylized, serif font with a shadow effect.

® Registered Trademark / TM Trademark of KCD IP, LLC in the United States, or Sears Brands, LLC in other countries

® Marca Registrada / TM Marca de Fábrica de KCD IP, LLC en Estados Unidos, o Sears Brands, LLC in otros países

^{MC} Marque de commerce / ^{MD} Marque déposée de Sears Brands, LLC