

serenelife[∞]™



SLGZ36

Foldable 4-Wheel Golf
Push Cart

New Deluxe AI Frame Trolley, Upper
& Lower Brackets with Elastic Strap,
Without Umbrella Holder

USER MANUAL

WARNING:

- For your own safety, please read and understand these warnings and keep this user guide for future reference.
- Always make sure the trolley is fully extended and locked before use. Always make sure the trolley is folded and locked properly before lifting or transporting.
- Do not run while using this product.
- Do not use accessories other than those designed for use with this trolley.
- Keep all packing materials away from children and recycle where possible or where required by law.

MAINTENANCE

- To clean the trolley, wipe with a soft, dry cloth.
- Car polish may be used to maintain finish.
- Lubricate moving parts every 6 months.

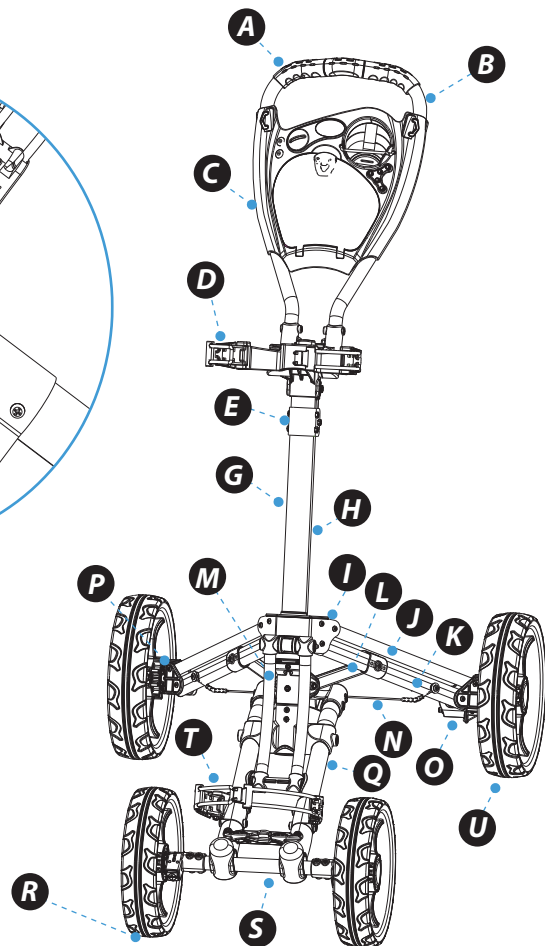
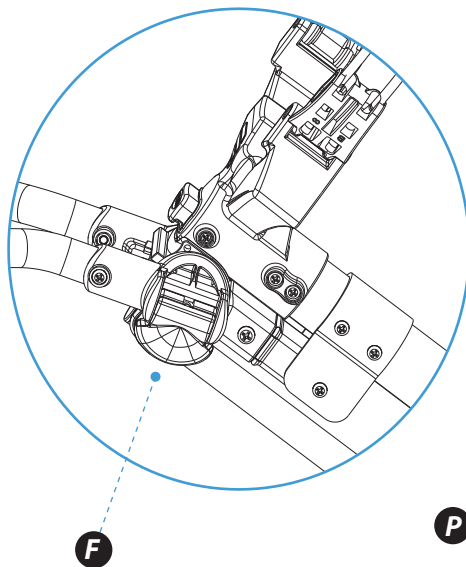
WARNING:

- Keep hands and fingers away from moving or sliding parts!
- Always keep control of the buggy - Do not let it run down hills without full control.



PARTS LIST

- A TPE handle grip
- B Handle tube
- C Scorecard holder
- D Upper bag holder bracket
- E Joint
- F Adjustable handle mechanism
- G Main upper frame tube
- H Connecting rods
- I Leg bracket
- J 2 holes leg frame
- K 4 holes leg frame
- L Weight stabilize
- M Slippery connecting rods
- N Anti-splay wire
- O Right wheel lock mechanism
- P Left wheel lock mechanism
- Q Main lower frame tube
- R Front wheel assembly
- S Front fork assembly
- T Lower bag holder bracket
- U Main wheel



ASSEMBLE AND EXTEND THE CART

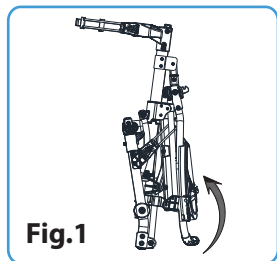


Fig.1

Pull the handle up until you hear the cart 'Click', then the handle is lock as in Fig.1 and Fig. 1-1.



Fig.1-1

INSTALL WHEELS

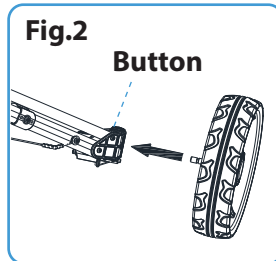


Fig.2

Button

Press the button on the leg frame and insert the wheels as shown in Fig. 2 to install the rear wheels.

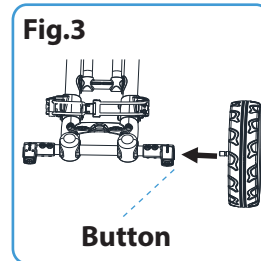


Fig.3

Button

Press the button on the front wheel axel and insert the wheels as shown in Fig.3 to install the front wheels.



Fig.3-1

The cart is extended completely as Fig. 3-1.

FOLDING THE CART



Folding button

Fig.4

Press the folding button and push the handle downward as shown in Fig. 4 to fold the cart till the main frame clicks into the holding slot as in Fig. 5.

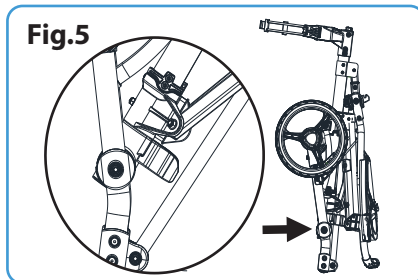


Fig.5

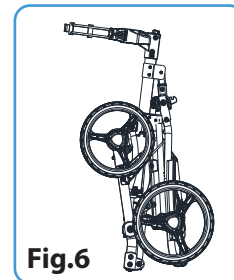
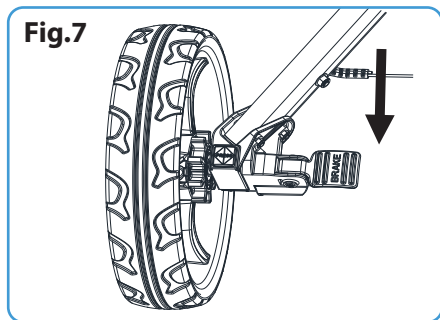


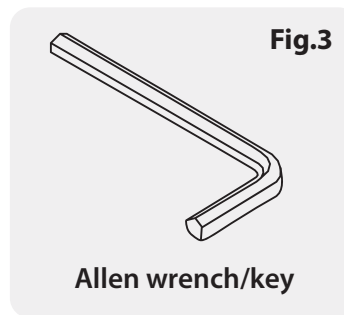
Fig.6

Fig.6 shows the folded position.

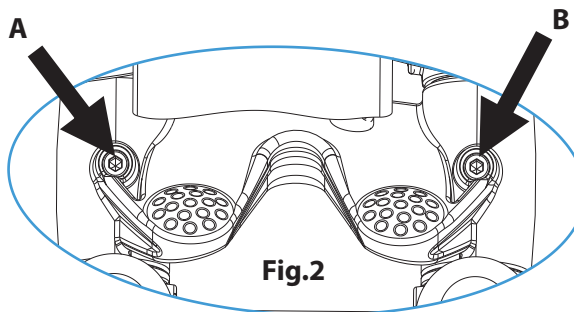
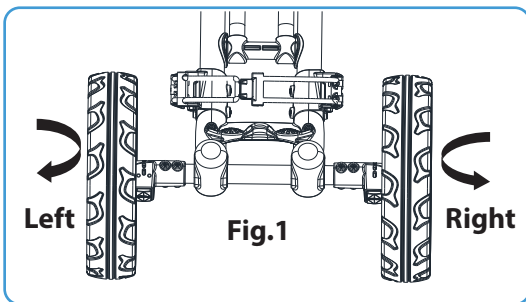
USE THE FOOT BRAKE



Push the brake pedal to stop the rear wheel and pull off to release as in Fig.7.



FRONT WHEEL ALIGNMENT



If the cart veers to the left, please use the hex wrench to turn screw A counterclockwise and Screw B clockwise to adjust the alignment.

If the cart veers to the right, please use the hex wrench to turn screw A clockwise and screw B counterclockwise to adjust the alignment.

FEATURES:

- New Deluxe 4-Wheel AI Frame Trolley
- Includes Foot Brake for Rear Wheel
- With Handle Brake to Control 360° Swivel for Front Wheel
- Upper and Lower Bracket with Elastic Strap
- TPE Handle Grip
- Push Button System
- Ergonomic Padded Adjustable Handle
- Includes Cup Holder, Scorecard Holder, and Patented Bag Holder
- Simple Quick Braking System
- Convenient Storage and Cooler
- EZ Fold Mechanism
- Durable and Compact Size for Easy Storage and Transportation
- Easy to Fold and Unfold
- Designed for Multiple Pushing Positions
- Umbrella Holder Not Included
- *Assembly Needed



WHAT'S IN THE BOX:

- (1) 4-Wheel Golf Push Cart

TECHNICAL SPECS:

- Construction Material: Aluminum Frame
- Max. Load Capacity: 33 lbs.
- Front Wheel Size: 9.5" -inches
- Rear Wheels Size: 10.5" -inches
- Folded Product Dimension (L x W x H): 19.1" x 14.6" x 22.8" -inches
- Unfolded Product Dimension (L x W x H): 44.7" x 28" x 47.8" -inches

Questions? Issues?

We are here to help!

Phone: (1) 718-535-1800

Email: support@pyleusa.com

serenelife™

