

SUMMIT

4.4 FT³ UPRIGHT FREEZER

Model FSM50LES

Owner's Manual

BEFORE USE, PLEASE READ AND FOLLOW
ALL SAFETY RULES AND OPERATING INSTRUCTIONS

Write the Serial Number here:

FELIX STORCH, INC.
770 Garrison Avenue
Bronx, NY 10474
www.summitappliance.com

IMPORTANT SAFEGUARDS

Your safety and the safety of others are very important.

We have provided many important safety messages in this manual and on your appliance. Always read and obey all safety messages.



This is the Safety Alert Symbol. This symbol alerts you to potential hazards that can kill or injure you and others. All safety messages will follow the Safety Alert Symbol and either the words "DANGER" or "WARNING".



DANGER means that failure to heed this safety statement may result in severe personal injury or death.



WARNING means that failure to heed this safety statement may result in extensive product damage, serious personal injury, or death.

Safety messages will alert you to what the potential hazard is, tell you how to reduce the chance of injury, and let you know what can happen if the instructions are not followed.



Before the freezer is used, it must be properly positioned and installed as described in this manual, so read the manual carefully. To reduce the risk of fire, electrical shock or injury when using the freezer, follow basic precautions, including the following:



- Plug into a grounded 3-prong outlet. Do not remove grounding prong, do not use an adapter, and do not use an extension cord.
- It is recommended that a separate circuit, serving only your freezer, be provided. Use receptacles that cannot be turned off by a switch or pull chain.
- Never clean freezer parts with flammable fluids. These fumes can create a fire hazard or explosion. And do not store or use gasoline or other flammable vapors and liquids in the vicinity of this or any other appliance. The fumes can create a fire hazard or explosion.
- Before proceeding with cleaning and maintenance operations, make sure the power line of the unit is disconnected.
- Do not connect or disconnect the electric plug when your hands are wet.
- Unplug the freezer or disconnect the power before cleaning or servicing. Failure to do so can result in electrical shock or death.
- Do not attempt to repair or replace any part of your freezer unless it is specifically recommended in this material. All other servicing should be referred to a qualified technician.



WARNING

- **NOTE: This unit is not designed to operate in enclosed spaces. When placing your unit, make sure you allow adequate airflow on all sides.**
- Use two or more people to move and install the freezer. Failure to do so can result in back or other injury.
- To ensure proper ventilation for your freezer, the front of the unit must be completely unobstructed. Choose a well-ventilated area with temperatures above 60°F (16°C) and below 90°F (32°C). This unit must be installed in an area protected from the elements, such as wind, rain, water spray or drips.
- The freezer should not be located next to ovens, grills or other sources of high heat.
- The freezer must be installed with all electrical connections in accordance with state and local codes. A standard electrical supply (115V AC only, 60 Hz), properly grounded in accordance with the National Electrical Code and local codes and ordinances, is required.
- Do not use mechanical or electrical devices or other means to accelerate the defrosting process, other than those recommended by the manufacturer.
- Do not damage the refrigerant circuit.
- The appliance must be unplugged before carrying out user maintenance on the appliance.
- Do not kink or pinch the power supply cord of the freezer. If the supply cord is damaged, it must be replaced by a qualified service technician.
- The fuse (or circuit breaker) size should be 15 amperes.
- It is important for the freezer to be leveled in order to work properly. You may need to make several adjustments to level it.
- Never allow children to operate, play with or crawl inside the freezer.
- Do not use solvent-based cleaning agents or abrasives on the interior. These cleaners may damage or discolor the interior.
- Do not use this apparatus for other than its intended purpose.
- Before disposing of this appliance, follow local regulations regarding its flammable, volatile refrigerant.



DANGER



Risk of child entrapment

Child entrapment and suffocation are not problems of the past. Junked or abandoned refrigerators and freezers are still dangerous, even if they will “just sit in the garage a few days.”

- **Before you throw away your old refrigerator or freezer:** Take off the doors. Leave the shelves or drawers in place so that children may not easily climb inside.
- Never allow children to operate, play with, or crawl inside the refrigerator/freezer.

THIS APPLIANCE IS NOT INTENDED FOR USE BY YOUNG CHILDREN OR INFIRM PERSONS UNLESS THEY ARE ADEQUATELY SUPERVISED BY A RESPONSIBLE PERSON TO ENSURE THAT THEY CAN USE THE APPLIANCE SAFELY. YOUNG CHILDREN SHOULD BE SUPERVISED TO ENSURE THAT THEY DO NOT PLAY WITH THE APPLIANCE.

- SAVE THESE INSTRUCTIONS -

Table of Contents

Important Safeguards	1 - 2
Technical Information	3
Installation Instructions	4 - 6
<i>Before Using Your Freezer</i>	4
<i>Installing the Freezer</i>	4 - 5
<i>Electrical Connection</i>	5
<i>Extension Cord</i>	5
<i>Leveling the Freezer</i>	5
<i>Reversing the Door Swing</i>	6
<i>Door Handle Installation</i>	6
Operating Your Freezer	7 - 8
<i>Temperature Control</i>	7
<i>Defrosting Your Freezer</i>	7
<i>The Freezer Compartment</i>	7 - 8
<i>Freezing Fresh Food</i>	8
Care and Maintenance	8 - 9
<i>Cleaning Your Freezer</i>	8
<i>Power Failure</i>	9
<i>Prolonged Off Time</i>	9
<i>Moving Your Freezer</i>	9
<i>Energy-Saving Tips</i>	9
Troubleshooting	10
Limited Warranty	11

Technical Information

Model:	FSM50LES
Color:	White
Capacity:	4.4 cubic feet
Electrical Input:	115V AC / 60Hz
Rated Current:	0.96A
Rated Power:	110W
Refrigerant:	R134a, 3.35 oz
Installation:	Free-standing
Unit Weight:	77 lbs
Unit Dimensions:	23.7"W x 25.6"D x 33.3"H

Installation Instructions

Before Using Your Freezer:

- Remove the exterior and interior packing and dispose of it according to local environmental requirements. Be sure to remove the foam sheet between the outside condenser (back of the unit) and the cabinet.
- Remove any tape or labels from the freezer before use (except the rating label on the back of the unit). To remove any remaining tape or glue, rub the area briskly with your thumb. Tape or glue can also be easily removed by rubbing a small amount of liquid dish soap over the adhesive with your fingers. Wipe with warm water and dry.
- Check to be sure the following items are packed with your unit: 1 door handle with screws and plugs, and 2 keys.
- When moving the freezer, do not tilt it beyond 45° from the upright position.
- Before connecting the unit to the power source, let it stand for approximately 2 hours. This will reduce the possibility of a malfunction in the cooling system from handling during transportation.
- Clean the interior surfaces of the unit with lukewarm water using a soft cloth.

Installing the Freezer:

- Install the handle onto the door using the supplied screws. Cover screw holes with plugs (see page 6).
- This appliance is designed to be free-standing only, and should not be recessed or built in.
- Place your unit on a floor that is strong enough to support the unit when it is fully loaded. To level your unit, adjust the leveling legs at the bottom (page 5).
- Allow about 7 inches of space on each side of the unit and the same amount of space between the back and the wall. Allow at least 11 inches above the top of the unit. These clearances will allow the proper air circulation to cool the compressor and condenser.
- If you are installing the freezer next to a fixed wall, leave sufficient space on the hinge side to allow for the door to swing open.
- Locate the unit away from direct sunlight and sources of heat (stove, heater, radiator, etc.). Direct sunlight may affect the external coating and heat sources may increase electrical consumption. Extremely cold ambient temperatures may also affect the unit's performance.
- Avoid locating the unit in moist areas. Too much moisture in the air will cause frost to form quickly on the evaporator requiring more frequent defrosting of the freezer.
- Plug the unit into an exclusive, properly installed and grounded wall outlet. Do not under any circumstances cut or remove the third (ground) prong from the power cord. Any questions concerning power and/or grounding should be directed toward a certified electrician or authorized service center.

Electrical Connection:

WARNING

Improper use of the grounded plug can result in the risk of electrical shock. If the power cord is damaged, have it replaced by the manufacturer, its service agent or similarly qualified persons in order to avoid a hazard.

This unit should be properly grounded for your safety. The power cord of this unit is equipped with a three-prong plug which mates with a standard three-prong wall outlet to minimize the possibility of electrical shock.

Do not under any circumstances cut or remove the third ground prong from the power cord supplied. For personal safety, this appliance must be properly grounded.

This unit requires a standard 115-volt AC/60Hz electrical outlet with three-prong ground. Have the wall outlet and circuit checked by a qualified electrician to make sure the outlet is properly grounded. When a standard 2-prong wall outlet is encountered, it is your responsibility and obligation to have it replaced with a properly grounded 3-prong wall outlet.

To prevent accidental injury, the cord should be secured behind the unit and not left exposed or dangling.

The unit should always be plugged into its own individual electrical outlet which has a voltage rating that matches the rating label on the appliance. This provides the best performance and also prevents overloading house wiring circuits that could cause a fire hazard from overheated wires. Never unplug the unit by pulling on the power cord. Always grip the plug firmly and pull straight out from the receptacle. Repair or replace immediately any power cord that has become frayed or otherwise damaged. Do not use a cord that shows cracks or abrasion damage along its length or at either end. When moving the unit, be careful not to damage the power cord.

Extension Cord:

Do not use an extension cord with this appliance. If the power cord is too short, have a qualified electrician or service technician install an outlet near the appliance.

Leveling the Freezer:

If the freezer is not leveled during installation, the door may not close or seal properly, causing cooling, frost or moisture problems.

To level your freezer, you may either turn the leveling leg clockwise to raise that side of the unit, or turn it counter-clockwise to lower that side. To make this adjustment easier, have someone push against the top of the freezer to take some weight off the leveling leg.

Reversing the Door Swing:

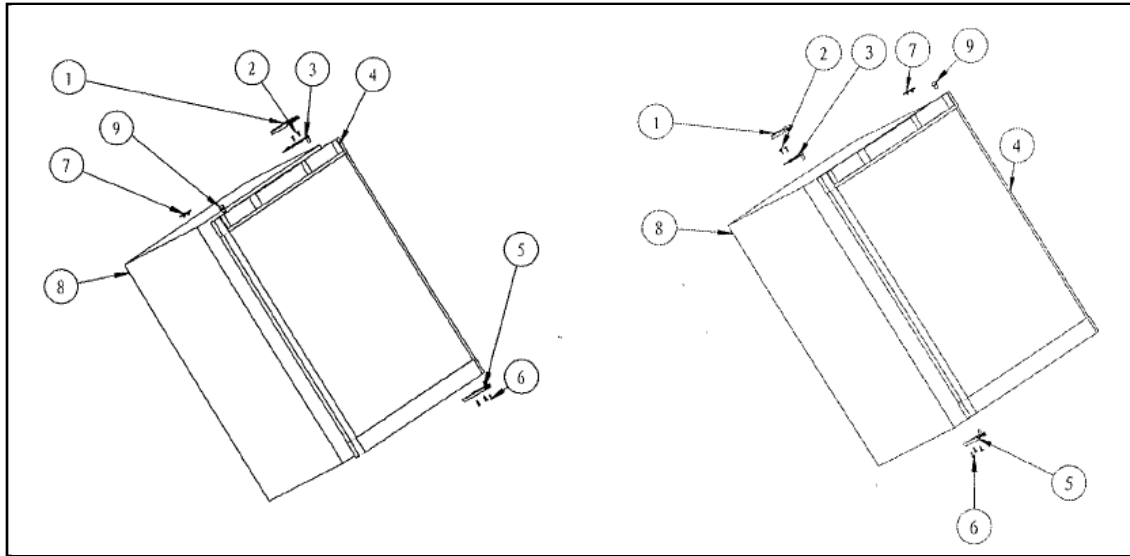


Figure 1 (Default position)

Figure 2 (After door reversal)

- | | |
|----------------------|---------------|
| 1. Upper hinge cover | 6. Screws |
| 2. Screws | 7. Hole cover |
| 3. Upper hinge | 8. Cabinet |
| 4. Door | 9. Pin cap |
| 5. Lower door hinge | |

This freezer can be opened from either the right side or the left. By default, the door hinge is on the right side. If you prefer it on the left, please follow these instructions:

NOTE: All of the parts that are removed must be kept for the reinstallation of the door.

1. Remove the three screws (6) holding lower door hinge (5). Keep hinge for later use.
2. Remove the door from the upper hinge (3), and keep the padded surface upward to prevent scratching.
3. Remove the upper hinge cover (1), remove the two screws (2), remove the upper hinge (3) and keep it for later use.
4. Remove the hole cover (7) and transfer it to the same location on the opposite side.
5. Insert the lower door hinge (5) into the left side, fixing the hinge into place by tightening all the screws (6).
6. Remove the pin cap (9) from the left side of the upper door frame and then transfer it to the same location on the opposite side.
7. Set the door on the lower door hinge (5), keep the door level, then fix the upper hinge (3) to the body (8) by the screws (2).
8. Put on the upper hinge cover (1).

Door Handle Installation:

The door has two screw holes on each side, allowing you to install a handle (included). To do so, align the handle with the screw holes on the side you prefer. Fix the handle in place with the included screws, then cover the screw heads with the plugs (included).

Operating Your Freezer

Temperature Control:

- The temperature control (thermostat) for the freezer is located inside the unit, just above the cabinet.
- The markings on the thermostat knob range from **1** through **6**, with **1** being the warmest setting and **6** the coldest.
- When you turn the unit on for the first time (or after defrosting), set the control to its maximum position, **6**, and leave it for at least two hours before introducing the food to be stored.
- After 24 to 48 hours, adjust the temperature control to the setting that best suits your needs. A setting of **3~4** should be correct for home or office freezer use.
- To turn the appliance off, you must unplug it.

NOTE: If the unit is unplugged, has lost power, or is turned off, you must wait 3 to 5 minutes before restarting the unit. If you attempt to restart before this time delay, the freezer will not start.

Defrosting Your Freezer:

For the most efficient operation and minimum energy consumption, defrost the freezer when the frost on the freezer walls is excessive or 1/4 inch thick.

1. To start defrosting, unplug the freezer and remove the food, which should be placed in a cooler to keep it from thawing.
2. Use a sponge or toweling to remove water and melting ice from the freezer floor. After the frost or ice has melted, dry the interior of the freezer thoroughly.
3. Restart the freezer by plugging it in and turning the thermostat to its highest setting, **6**, for at least two hours. Once it is cold, return the food to the freezer. Don't forget to return the thermostat to its normal setting.

CAUTION: Do not use boiling water to help speed up the defrosting because this could damage the plastic parts of the unit. In addition, never use a sharp or metallic instrument to remove frost or separate frozen items as this could damage the cooling coils and will void the warranty. We recommend using a plastic scraper.

The Freezer Compartment:

- This compartment is designed for the long-term storage of frozen food.
- The storage life of frozen foods varies and the recommended storage time should not be exceeded. The instructions regarding the care of frozen foods should be followed when defrosting the freezer.

- Pre-packed commercially frozen food should be stored in accordance with the food manufacturer's instructions for a frozen food storage compartment or home freezer.
- Place frozen food into the freezer as quickly as possible after purchase to avoid thawing. If there are instructions on the packet, carefully follow them regarding storage times.
- The freezer door is susceptible to breakage due to excessive ice buildup. Be sure to defrost when the ice becomes 1/4 inch thick.

Freezing Fresh Food:

Be sure that your freezing operations are carried out under the most hygienic conditions since freezing alone does not sterilize the food. It is advisable to freeze the food by packing it into separate meal portions and not in bulk form. Never put hot or even warm foodstuffs into the freezer. Prior to storing the food, pack it in plastic bags, aluminum sheets or freezing containers and place into the freezer.

NOTES:

- Never put bottled food or drinks into the freezer.
- For best performance, leave enough space in the freezer for air to circulate around the packages.

Care and Maintenance

Cleaning Your Freezer:

1. Unplug the freezer and remove the food to a cooler.
2. Wash the inside surfaces with a solution of warm water and baking soda. The solution should contain about 2 tablespoons of baking soda to a quart of water.
3. Wash the shelves with a mild detergent solution.
4. Wash the outside cabinet with warm water and mild liquid detergent. Rinse well and wipe dry with a clean soft cloth.
5. Wring excess water out of the sponge or cloth before cleaning the area of the temperature control or any electrical parts.
6. Dry all surfaces thoroughly with a soft cloth.

NOTES:

- Do not use cleaning waxes, concentrated detergents, bleaches or cleaners containing petroleum on plastic and rubber parts.
- Never use paper towels, window sprays, scouring cleansers or flammable fluids on plastic parts as these can scratch or damage material.

CAUTION: Failure to unplug the unit could result in electrical shock or personal injury.

Power Failure:

Most power failures are corrected within a few hours and should not affect the temperature of your freezer if you minimize the number of times the door is opened. If the power is going to be off for a longer period of time, you need to take the proper steps to protect your food.

Prolonged Off Time:

If the freezer will not be in use for a long period of time (or if the power will be off for more than a few hours), proceed as follows:

1. Remove all the food.
2. Unplug the freezer.
3. Clean and dry the inside as instructed in *Cleaning Your Freezer*, page 8.
4. Leave the door open slightly to prevent any unpleasant odors from building up while the freezer is not in use.

Moving Your Freezer:

1. Remove all the food.
2. Securely tape down all loose items inside your unit.
3. Turn the leveling legs up to the base to avoid damage.
4. Tape the door shut.
5. Be sure the freezer stays secure in the upright position during transportation.

Energy-Saving Tips:

- The freezer should be located in the coolest area of the room, away from heat-producing appliances or heating ducts and out of direct sunlight.
- Let hot foods cool to room temperature before placing in the freezer. Overloading the unit forces the compressor to run longer. Foods that freeze too slowly may lose quality or spoil.
- Be sure to wrap foods properly and wipe containers dry before placing them in the freezer. This cuts down on frost build-up inside the unit.
- Freezer shelves should not be lined with aluminum foil, wax paper or paper toweling. Liners interfere with cold air circulation, making the freezer less efficient.
- Organize and label food to reduce door openings and extended searches. Remove as many items as needed at one time, and close the door as soon as possible.

Troubleshooting

You can easily solve many common problems with your freezer, saving you the cost of a possible service call. Try the suggestions below to see if you can correct the problem before calling the service provider.

Problem	Possible Cause
Freezer does not operate.	Not plugged in. The circuit breaker has tripped or the fuse has blown.
Compressor turns on and off frequently.	Room temperature is warmer than usual. A large amount of food has been added to the freezer. The door is opened too often. The door is not closed completely. The temperature control is not set correctly. The door gasket does not seal properly. The freezer does not have the correct clearances.
The freezer does not cool sufficiently.	The door has been opened too often, or has been left open for a while. Check that the airflow at the rear of the freezer has not been reduced due to insufficient clearance.
Vibrations	Check to be sure the freezer is level.
The freezer seems to be making too much noise.	A trickling sound may come from the flow of refrigerant, which is normal. As each cycle ends, you may hear gurgling noises caused by the flow of refrigerant in the freezer. Contraction and expansion of the inside walls may cause popping and crackling sounds. The unit is not level or is in contact with another appliance or kitchen furniture.
The door will not close properly.	The unit is not level. The door was reversed and not properly re-installed. The shelves are out of position. The door gasket is dirty.

If the problem is not due to one of the items listed above, contact your dealer or call SUMMIT's toll-free Customer Service line at **1-800-932-4267**.

Limited Warranty

ONE-YEAR LIMITED WARRANTY

Within the 48 contiguous United States, for one year from the date of purchase, when this appliance is operated and maintained according to instructions attached to or furnished with the product, warrantor will pay for factory-specified parts and repair labor to correct defects in materials or workmanship. Service must be provided by a designated service company. Outside the 48 states, all parts are warranted for one year from manufacturing defects. Plastic parts, shelves and cabinets are warranted to be manufactured to commercially acceptable standards and are not covered for damage during handling or breakage.

5-YEAR COMPRESSOR WARRANTY

1. The compressor is covered for 5 years.
2. Replacement does not include labor.

ITEMS WARRANTOR WILL NOT PAY FOR:

1. Service calls to correct the installation of your appliance, to instruct you how to use your appliance, to replace or repair fuses or to correct wiring or plumbing.
2. Service calls to repair or replace appliance light bulbs or broken shelves. Consumable parts (such as filters) are excluded from warranty coverage.
3. Damage resulting from accident, alteration, misuse, abuse, fire, flood, acts of God, improper installation, installation not in accordance with electrical or plumbing codes, or use of products not approved by warrantor.
4. Replacement parts or repair labor costs for units operated outside the United States.
5. Repairs to parts or systems resulting from unauthorized modifications made to the appliance.
6. Expenses for travel and transportation for product service in remote locations.
7. The removal and reinstallation of your appliance if it is installed in an inaccessible location or is not installed in accordance with published installation instructions.

DISCLAIMER OF IMPLIED WARRANTIES – LIMITATION OF REMEDIES

CUSTOMER'S SOLE AND EXCLUSIVE REMEDY UNDER THIS LIMITED WARRANTY SHALL BE PRODUCT REPAIR AS PROVIDED HEREIN. IMPLIED WARRANTIES, INCLUDING WARRANTIES OF MERCHANTABILITY OR FITNESS FOR A PARTICULAR PURPOSE, ARE LIMITED TO ONE YEAR. WARRANTOR SHALL NOT BE LIABLE FOR INCIDENTAL OR CONSEQUENTIAL DAMAGES. SOME STATES DO NOT ALLOW THE EXCLUSION OR LIMITATION OF INCIDENTAL OR CONSEQUENTIAL DAMAGES, OR LIMITATIONS ON THE DURATION OF IMPLIED WARRANTIES OF MERCHANTABILITY OR FITNESS, SO THESE EXCLUSIONS OR LIMITATIONS MAY NOT APPLY TO YOU. THIS WARRANTY GIVES YOU SPECIFIC LEGAL RIGHTS AND YOU MAY ALSO HAVE OTHER RIGHTS, WHICH VARY FROM STATE TO STATE.

WARNING! This product may contain chemicals known to the state of California to cause cancer or birth defects or other reproductive harm. For more information, visit: www.summitappliance.com/prop65

Chemicals known by the manufacturer to be present in this product in concentrations higher than threshold limits: NONE.

FELIX STORCH, INC.
770 Garrison Avenue
Bronx, NY 10474
Phone: (718) 893-3900
Fax: (718) 842-3093
www.summitappliance.com

SUMMIT

For parts and accessory ordering,
troubleshooting and helpful hints, visit:
www.summitappliance.com/support