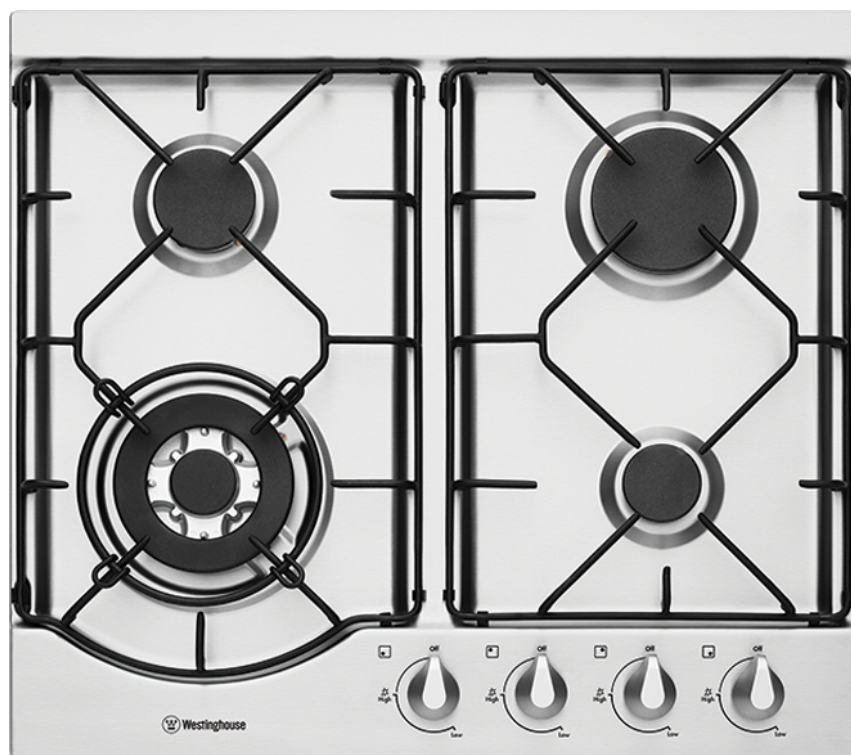


**60cm stainless steel gas cooktop with high-powered wok burner and FamilySafe (TM) flame failure device.**

RRP AUS \$629.00



## Product Details

### FEATURES

---

FamilySafe trivets  
FamilySafe flat trivets  
enhance pot stability and  
slide-ability, enabling greater  
safety when cooking

High-powered wok burner

Easy ignite  
For busy kitchens the Easy  
Ignite under knob ignition is  
quick, simple and safe to  
use.

FamilySafe Flame Failure  
Device  
Stops the gas supply if the  
flame is extinguished.

---

Stainless steel

Front controls

Enamelled wire trivets

LP Gas Conversion kit  
included  
LP Gas Conversion kit  
included. Must be installed by  
a licenced tradesperson.

---

### BENEFITS

---

Peace of mind with FamilySafe Trivets  
FamilySafe trivets ensure peace of mind while cooking.  
Designed to cover the large flat surface area and enhance pot  
stability, you'll enjoy added safety for you and your family.

High-powered wok burner  
Whip up tasty stir-fries and more with our high-powered wok  
burner. You'll get the high heat you need with 14.4 MJ/h of  
power at its highest setting.

---

Easy ignite  
For busy kitchens the Easy Ignite under knob ignition is quick,  
simple and safe to use.

FamilySafe Flame Failure Device  
Created with your safety in mind, the flame failure safety  
device will immediately shut off the gas supply if the flame on  
the cooktop is unexpectedly extinguished. So you can always  
cook without worry.

---

## Specifications

### PRODUCT PROFILE

Domestic warranty details (yrs)	2
Cooktop type	gas
Materials/Colour	stainless steel
Knob finish	painted silver

### CONTROLS

Controls of Cooktops	knob
Position of controls	front
Features of Cooktop	flame failure, optional LP

### ELEMENTS/BURNERS

#### LEFT FRONT ZONE

Left front zone	triple ring wok
-----------------	-----------------

### DIMENSIONS

Total product height (mm)	44
Total product width (mm)	595
Total product depth (mm)	530
Cut out width (mm)	560
Cut out depth (mm)	490

### FEATURES

Trivets	enamel
Ignition type	electronic

### LEFT REAR ZONE

Left rear zone	semi-rapid
Left rear number of cooking zones	1

Left front number of cooking zones 1

---

## RIGHT FRONT ZONE

---

Right front zone simmer

---

Right front number of cooking zones 1

---

## ELECTRICAL SPECIFICATIONS

---

Connected load KW 0

---

Type of connection 10A plug & lead

---

## SHIPPING

---

Pack Dimensions Height (mm) 165

---

Pack Dimension Width (mm) 702

---

## RIGHT REAR ZONE

---

Right rear zone rapid

---

Right rear number of cooking zones 1

---

## GAS SPECIFICATIONS

---

Total burner output(NG) 40.6

---

Maximum gas rating (NG) 40.6

---

Maximum gas rating (LP) 34.4

---

Maximum power rating kW 11.3

---

Position of gas connection rear left

---

## SHIPPING

---

Pack Dimension Depth (mm)	596
------------------------------	-----

---

## Dimensions

### Dimensions

## WHG644SA

### 4 BURNER 60CM GAS COOKTOP WITH FLAME FAILURE

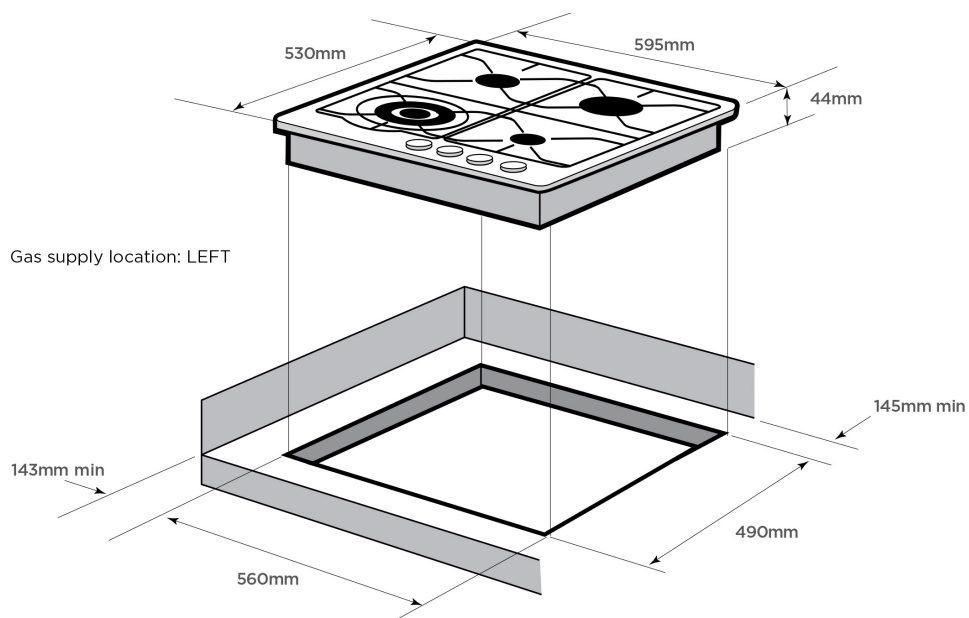
**Cooktop dimension  
(W x D x H\*) mm**

**595 x 530 x 44\***

\*Height is distance from the top of the kitchen bench to the bottom of the cooktop.

**Cutout dimension  
(W x D) mm**

**560 x 490**



For more information on all Westinghouse appliances, or for dimension and installation information, call into your retailer, phone or email our customer care team or visit our website:

phone: 1300 363 640  
fax: 1800 350 067  
email: [customercare@electrolux.com.au](mailto:customercare@electrolux.com.au)  
web: [westinghouse.com.au](http://westinghouse.com.au)

© 2017 Electrolux Home Products Pty Ltd  
ABN 51 004 762 341

WDIM\_WHG644SA\_Oct17



# Terms and Conditions

## IMPORTANT

This is a guide of product dimensions only. For complete installation instructions, refer to the manual provided with product.

## PRODUCT INFORMATION

The descriptors and illustrations in this publication apply to the specific products and models described as at the date of issue. Under our policy of continuous product development, product specifications may change without notice. Prospective purchasers should therefore check with their retailer to ensure this publication correctly describes the products that are being offered for sale. All information supplied is to be used for general reference purposes only and is on the understanding that Electrolux Home Products Pty Ltd (Australia) and Electrolux (NZ) Ltd (New Zealand) will not be liable for any loss, liability or damage of whatever kind arising as a result of reliance on such information. Colours of products illustrated are as close as printing limitations allow. Electrolux will at all times comply with its obligations pursuant to law including Trade Practices (Australian Consumer Law) Act and Regulations.

## WARRANTY

This warranty only applies to Appliances purchased and used in Australia or New Zealand and used in normal domestic applications and is in addition to (and does not exclude, restrict, or modify in any way) any non-excludable statutory warranties in Australia or New Zealand. All warranties are subject to the conditions set out in the warranty card accompanying the product when purchased.

### ELECTROLUX HOME PRODUCTS AUSTRALIA

telephone: 1300 363 640

fax: 1800 350 067

email: [customercare@electrolux.com.au](mailto:customercare@electrolux.com.au)

web: [www.electrolux.com.au](http://www.electrolux.com.au)

### ELECTROLUX HOME PRODUCTS NEW ZEALAND

telephone: 09 573 2230

fax: 09 573 2221

email: [customercare@electrolux.co.nz](mailto:customercare@electrolux.co.nz)

web: [www.electrolux.co.nz](http://www.electrolux.co.nz)