

DCDimplex[®]

40cm HV FLOOR FAN

Model: DCFF40B



INSTRUCTION MANUAL

PLEASE READ THE INSTRUCTION MANUAL CAREFULLY BEFORE USING THE UNIT

TABLE OF CONTENTS

IMPORTANT INFORMATION..... 1

STRUCTURE..... 3

OPERATION..... 4

CLEANING & MAINTENANCE..... 5

TECHNICAL SPECIFICATIONS..... 7

WARRANTY..... 7

IMPORTANT INFORMATION

Warnings

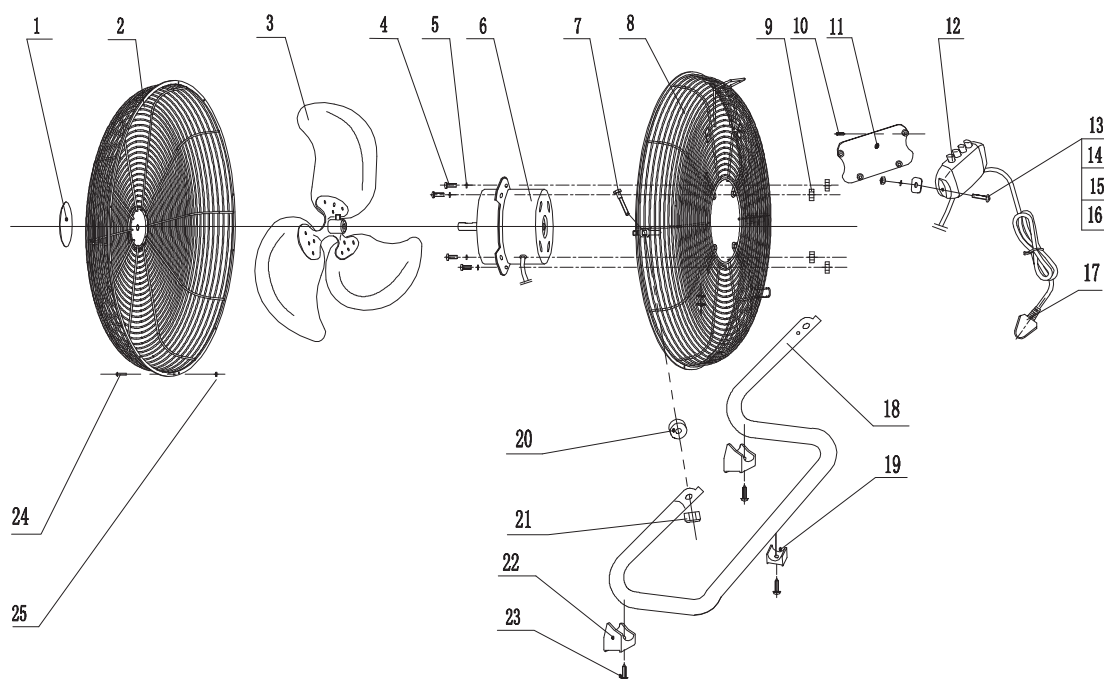
- Never place the unit near any gas appliances, fire or flammable liquids.
- Never hit or shake the unit to prevent damage.
- Never cover or obstruct the air inlet or outlet to prevent overheating.
- Never spray water or place the unit near water to prevent electric shock.
- Only ever have a professional technician, manufacturer or a service agent to replace a damaged power cord.
- Never share the power outlet with other appliances.
- Never connect or disconnect the power plug with wet hands to avoid electric shock.
- Never put rods or objects into the opening of the unit.
- Never use an extension cord with this unit.

Cautions

- Be sure the unit is placed on a stable surface when operating to avoid overturning.
- The unit must not be used if the guards are not fastened according to instructions.
- This appliance is for indoor use only.
- Do not plug the unit into a power socket before assembly is complete.
- Never insert fingers, pencils, or any other object through the guard when unit is running.
- To prevent risk of fire and electric shock, do not use the unit near windows. The unit is designed to sit on the floor.

- Power plug must be removed from the power socket before cleaning, servicing, maintenance or moving from one location to another.
- The unit should not be placed in a damp place or where humidity is high (such as a bathroom).
- Electrical connections shall be in accordance with National or Local Codes.
- Keep the unit at least 1 metre away from electric appliances such as TV's and radios, to avoid electromagnetic interference.
- Do not expose the unit under direct sunlight to avoid surface colour fading.
- Do not tilt the unit more than 35 degrees or upside down while transporting.
- Place the unit on a flat surface with less than 5 degree inclination.
- To avoid damaging the surface, do not use chemical solvents (i.e. Benzene, alcohol-grazer) or harsh cleaners when cleaning the unit.
- Do not use your appliance with an extension cord unless it has been checked and tested by a qualified electrician or electrical supplier.
- This appliance is not intended for use by persons (including children) with reduced physical, sensory or mental capabilities, or lack of experience and knowledge, unless they have been given supervision or instruction concerning use of the appliance by a person responsible for their safety.
- Children should be supervised to ensure that they do not play with the appliance.
- Do not leave the fan unattended.
- Do not use the fan near a window. Rain may create an electrical hazard. Do not leave the fan operating adjacent to an area where water has been collected to avoid the potential of electrical hazards.

STRUCTURE



- | | |
|---------------------|-------------------|
| 1. Decorating Plate | 16. Nut |
| 2. Front Guard | 17. Power Cord |
| 3. Blade | 18. Stand |
| 4. Screw | 19. Rubber Feet A |
| 5. Spring Washer | 20. Rubber Washer |
| 6. Motor | 21. Nut |
| 7. Screw | 22. Rubber Feet B |
| 8. Rear Guard | 23. Tapping Screw |
| 9. Nut | 24. Nut |
| 10. Screw | 25. Screw |
| 11. Rear Cover | |
| 12. Switch Box | |
| 13. Screw | |
| 14. Locating Block | |
| 15. Spring Washer | |

OPERATION

Operating Instructions

1. Be sure the voltage of the fan conforms with the local power supply before using it.
2. Speed can be adjusted using the following options:
 - 0 – Stop
 - 1 – Low
 - 2 – Medium
 - 3 – High
3. Adjust the tilt angle by pushing the grille.

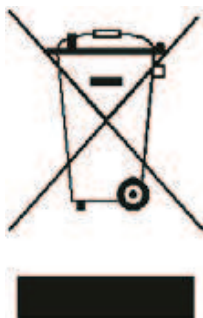
CLEANING AND MAINTENANCE

Cleaning

1. Always unplug the fan before cleaning.
2. To clean the blade and grille assembly, remove the safety grille, unscrew the locknut and remove the blade from the unit.
3. Clean the unit with a soft cloth moistened with a mild soap solution. Use dry cloth to wipe the unit after cleaning.
4. Never use strong or volatile chemicals to clean the unit as it will damage the plastic parts.
5. Do not immerse in water for cleaning, never allow water to drip into the motor housing.
6. In the off-season, it is important to keep your unit in a safe, dry location. Please remember to protect the unit from dust or moisture.

Meaning of crossed-out dustbin


1. Do not dispose of electrical appliances as unsorted municipal waste, use separate collection facilities.
2. Contact your local government for information regarding the collection systems available.
3. If electrical appliances are disposed of in landfills or dumps, hazardous substances can leak into the groundwater and get into the food chain, damaging your health and well-being.



Maintenance

If the unit working efficiency decreases, the unit is broken or other problems arise, please stop running the unit and unplug it. Ask for advice by calling your local after sales service agent or the Customer Care Centre on 1300 556 816 (AU) / +64 9 274 8265 (NZ)

TECHNICAL REFERENCE DATA

Model		DCFF40B
Rated Power		65W
Voltage/Frequency		220V-240V/50Hz
Net Weight		4.2KG
Dimensions	Body (mm)	500X190X480
HxWxD	Package (mm)	515X205X495
 5336		

Warranty:

The warranty is valid for 12 months from date of purchase. For service advice, please contact the Customer Care Centre on 1300 556 816 (AU) / +64 9 274 8265 (NZ)

Glen Dimplex Australia Pty Ltd

Unit 1, 21 Lionel Road,
Mount Waverley VIC 3149
Australia

Ph: 1300 556 816

Fax: 1800 058 900

Web: www.dimplex.com.au

Glen Dimplex New Zealand Ltd

38 Harris Road, East Tamaki,
Manukau, Auckland 2013
New Zealand

Ph: (09) 274 8265

Fax: (09) 274 8472

Web: www.dimplex.co.nz