

EN

gorenje

DETAILED INSTRUCTIONS FOR USE OF WINE COOLER



WC48G4BG4

We thank you for the confidence you have shown by purchasing our appliance which is designed to simplify your life. To make the use of the product easier, we have supplied detailed instructions for use. The instructions should allow you to learn about your new appliance as quickly as possible.

We wish you find a lot of pleasure in its use.

The appliance is intended solely for household use.

Please visit our website where you can enter your appliance model number, indicated on the rating plate or the warranty sheet, to find detailed description of your appliance, tips on use, troubleshooting, service information, instructions for use etc.



<http://www.gorenje.com>

Link to the EU EPREL database

The QR code on the energy label supplied with the appliance provides a web link to the registration of this appliance in the EU EPREL database. Keep the energy label for reference together with the user manual and all other documents provided with this appliance.

It is possible to find information related to the performance of the product in the EU EPREL database using the link <https://eprel.ec.europa.eu> and the model name and product number that you can find on the rating plate of the appliance.

For more detailed information about the energy label, visit www.theenergylabel.eu.



Important safety warning



General warnings and tips



Protecting the environment



Do not wash in the dishwasher

CONTENTS

4 IMPORTANT NOTES AND PRECAUTIONS 4 BEFORE USING THE APPLIANCE FOR THE FIRST TIME 5 IMPORTANT SAFETY INSTRUCTIONS 8 IMPORTANT INFORMATION ON THE USE OF APPLIANCE 9 ENVIRONMENT PROTECTION 10 ADVICE FOR SAVING POWER WITH REFRIGERATION APPLIANCES	INTRODUCTION
11 INSTALLATION AND CONNECTION 13 APPLIANCE DESCRIPTION 14 OPERATING THE APPLIANCE 16 APPLIANCE INTERIOR EQUIPMENT	APPLIANCE DESCRIPTION
17 CLEANING THE APPLIANCE	CLEANING THE APPLIANCE
18 TROUBLESHOOTING	MISCELLANEOUS

IMPORTANT NOTES AND PRECAUTIONS

BEFORE USING THE APPLIANCE FOR THE FIRST TIME

Before connecting the appliance to the power mains, please read carefully the instructions for use which describe the appliance and its correct and safe use. The instructions apply to several appliance types/models; thus, settings or equipment may be described herein which is not available in your appliance. We recommend saving this instruction manual for future reference and attach it to the appliance if it is sold in the future.

Check for any damage or irregularities on your appliance. If you find your appliance is damaged, notify the retailer from which you have purchased the appliance.

Before connecting the appliance to the power mains, let the appliance rest in a vertical position for a minimum of 24 hours. This will reduce the possibility of operation faults due to the effect of transport on the cooling system.



IMPORTANT SAFETY INSTRUCTIONS



WARNING! Risk of fire/flammable materials.

The appliance must be connected to the power mains and grounded in compliance with the effective standards and regulations.

WARNING! Do not locate multiple portable socket-outlets or portable power supplies at the rear of the appliance.

Before cleaning the appliance, unplug it from the power mains (unplug the power cord from the wall outlet).

WARNING! If the supply cord is damaged, it must be replaced by the manufacturer, its service agent or similarly qualified persons in order to avoid a hazard.

WARNING! When positioning the appliance, ensure the supply cord is not trapped or damaged.

If LED lighting does not work, call a service technician. Do not attempt a repair of the LED lighting yourself, as there is danger of contact with high voltage!



WARNING! Do not use any electric devices inside the appliance, except for those allowed by the manufacturer of this refrigeration appliance.



WARNING! Do not use mechanical devices or other means to accelerate the defrosting process, other than those recommended by the manufacturer.



WARNING! To avoid any hazard resulting from poor stability of the appliance, make sure it is installed as instructed.

Under no circumstances should any external covers be removed for servicing or maintenance except by suitably qualified personnel.

WARNING: Do not damage the refrigerant circuit.

Safety of children and vulnerable persons

The appliance is not intended for use by persons (including children) with reduced physical, sensory or mental capabilities, or lack of experience and knowledge, unless they have been given supervision or instruction concerning use of the appliance by a person responsible for their safety.

Children should be supervised to ensure that they do not play with the appliance.

Cleaning and user maintenance shall not be made by children without supervision.

Cleaning and user maintenance shall not be made by children without supervision.

Remove the packaging intended to protect the appliance or particular parts during transport and keep it outside the reach of children.

It presents danger of injury or suffocation.

For European markets only

This appliance can be used by children aged from 8 years and above and persons with reduced physical, sensory or mental capabilities or lack of experience and knowledge if they have been given supervision or instruction concerning use of the appliance in a safe way and understand the hazards involved.

Children shall not play with the appliance.

Cleaning and user maintenance shall not be made by children without supervision.

Children aged from 3 to 8 years are allowed to load and unload refrigerating appliances.

Warning regarding the refrigerant

The appliance contains a small amount of an environmentally friendly yet flammable gas R600a. Make sure that no parts of the cooling system are damaged. A gas leak is not hazardous to the environment, but it could cause eye injury or fire.

In case of a gas leak, ventilate the room thoroughly, disconnect the appliance from the power mains, and call a service technician.

Please keep the products away from the fire or similar glowing substance before you dispose the appliance.

GWP(Global Warming Potential): R600a=3

IMPORTANT INFORMATION ON THE USE OF APPLIANCE

WARNING! This appliance is intended to be used in household and similar applications such as:

- staff kitchen areas in shops, offices and other working environments;
- farm houses and by clients in hotels, motels and other residential type environments;
- bed and breakfast type environments;
- catering and similar non-retail applications.

i This appliance is for domestic purposes only and is intended to be used exclusively for the storage of sealed bottled wines and beverages.

i WARNING! Keep ventilation openings, in the appliance enclosure or in the built-in structure, clear of obstruction.

The appliance may not be used outdoors and it may not be exposed to rain.

Do not store explosive substances such as aerosol cans with a flammable propellant in this appliance.

If the appliance will be out of use for an extended period of time, switch it off using the relevant button, and unplug it from the power mains. Empty the appliance, defrost it, clean it, and leave the door ajar.

Technical information on the appliance

Rating plate can be found in the appliance interior. It indicates data on voltage, gross and net volume, type and amount of refrigerant, and information on the climate classes.



ENVIRONMENT PROTECTION

Packaging is made of environmentally friendly materials that can be recycled, disposed of, or destroyed without any hazard to the environment.



Removing an obsolete appliance

To protect the environment, take the obsolete appliance to an authorized home appliance collection centre.

Before doing so, do the following:

- disconnect the appliance from the power mains;
- do not allow children to play with the appliance.



WARNING! Do not damage the refrigerant circuit. This will also prevent pollution.



The symbol on the product or its packaging indicates that the product should not be treated as normal household waste. The product should be taken to an authorized collection centre for waste electric and electronic equipment processing. Correct disposal of the product will help prevent any negative effects on the environment and health of people which could occur in case of incorrect product removal. For detailed information on removal and processing of the product, please contact the relevant municipal body in charge of waste management, your waste disposal service, or the store where you bought the product.



ADVICE FOR SAVING POWER WITH REFRIGERATION APPLIANCES


- Install the appliance as specified in the instruction manual.
- Occasionally make sure air circulation underneath the appliance is unobstructed.
- If the gasket is damaged or does not provide a perfect seal for any reason, have it replaced as soon as possible.
- In appliances with a fan, do not block the fan slots or vents.
- Only store wine in sealed containers.
- Do not overload the cabinet.
- Only open the door when necessary. Opening the door for long periods can cause a significant increase in temperature of the compartments of the appliance
- Do not cover the shelves with aluminium foil or anything else that will prevent air from circulating around the cabinet.
- To prevent damage to the door seal, ensure the door is fully open before removing the shelves.
- Do not pull the shelves beyond the anti-stop position (approximately one third out) when fully loaded.
- This appliance is intended to be used exclusively for the storage of wine.
- In the event of a power failure, leave the door closed as much as possible to maintain the internal working temperature. Should the power failure continue for a prolonged period, you should take steps to protect the contents of the wine cooler against a rise in temperature. The wine cooler will remember the selected temperature settings and revert to these settings once the power is restored.

INSTALLATION AND CONNECTION

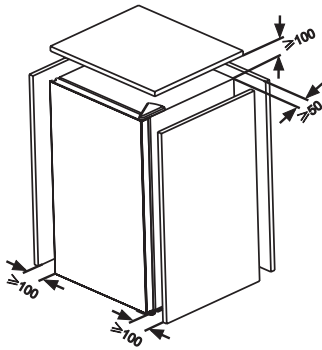
SELECTING THE ROOM

- Install the appliance in a dry and well ventilated room. The appliance will operate correctly if the environment temperature is in the interval specified in the table. The appliance class is indicated on the rating plate / label with the basic information on the appliance.

Description	Class	Ambient temperature range °C	Relative humidity
Extended temperate	SN	+10 to +32	≤ 75%
Temperate	N	+16 to +32	
Subtropical	ST	+16 to +38	
Tropical	T	+16 to +43	

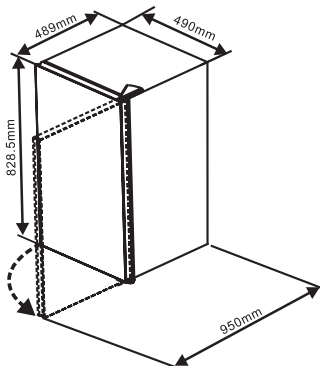
-  Do not place an appliance in a room where temperature can drop to below 5 °C as this may cause abnormal appliance operation or failure!
- This appliance is not intended to be used as a build-in appliance.
- After the installation, the appliance mains plug should be accessible!
- Do not place the appliance near appliances or devices radiating heat, such as a cooker, a stove, a radiator, water heater etc., and do not expose it to direct sunlight. The appliance should stand at least 3 cm away from an electric or gas cooker or at least 30 cm away from an oil or solid fuel stove. If the distance between such source of heat and the appliance is smaller, use an insulating panel.

Note: Place the appliance in a sufficiently large room. There should be at least 1 m³ of space per 8 grams of refrigerant. Amount of refrigerant is indicated on the rating plate in the appliance interior.

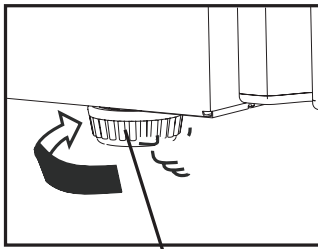


To allow for adequate ventilation and cooling of the appliance, there has to be sufficient clearance behind the appliance (at least 50 mm) and on both sides as well (at least 100 mm).

There has to be a clearance of at least 100 mm between the appliance and any cabinet above it (see installation diagram).



Please, also observe the clearance required to fully open the door in order to allow pulling out the drawers and shelves (see installation diagram).



Cabinet leg

When the appliance is placed on the intended surface, it should be completely level in order to decrease vibration. To level the appliance, use the adjustable feet at the front of the appliance.

APPLIANCE DESCRIPTION

Appliance interior equipment may change according to the appliance model.

- 1 LED lighting
- 2 Control unit
- 3 Pull-out shelves (max capacity: 30 bottles)
- 4 Adjustable- height feet

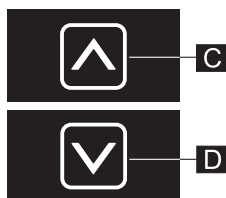


OPERATING THE APPLIANCE



- A** Temperature display key
- B** Light On/off key
- C** »+« Temperature key
- D** »-« Temperature key

TO CHANGE THE TEMPERATURE



- The factory default setting is the recommended temperature of 12 °C.
- The temperature range is from 5°C (41°F) to 20°C (68°F).
- Press the **C** or **D** buttons until the required temperature is shown on the display.

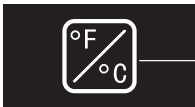
- The appliance will work continuously until it gets to the correct temperature. Continuous noise from the compressor and refrigeration system is normal.

OPTIMAL TEMPERATURE SELECTION

Below is a table showing the recommended storage temperatures for different types of wine. These are also the ideal drinking temperatures for most types.

Wine Type	Recommended Temp.
Red Wine	15 - 18°C (59°F-64°F)
Dry / White Wine	9 - 14°C (48°F-57°F)
Rosé Wine	10 - 11°C (50°F-52°F)
Sparkling Wine	5 - 8°C (41°F-46°F)

TO CHANGE THE TEMPERATURE READING



A

You can change the temperature display reading from Fahrenheit to Celsius, or Celsius to Fahrenheit

- Press the **A** key.

TO USE THE INTERNAL LIGHT



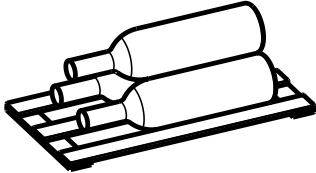
B

- Press the key **B** to switch the light on or off.

APPLIANCE INTERIOR EQUIPMENT

STORAGE DIAGRAM

Placement of bottles



- To appliance is equipped with 4 bottle shelves including 2 upper shelves, 1 lower shelf and 1 bottom shelves.

Warning!

- To prevent the bottles from rolling down and being broken, there should not be more than 3 bottles placed on the bottom shelf.
- The maximum loading of each type of shelf is 15 kg.

Storing bottles

- Moving the bottles or excessive vibration can have a negative effect on the ageing process and thus on the wine's flavour.
- Keep the bottles intended for daily use on the front half of the shelves. Keep the wines you intend to store for a long time or age in the bottom part of the cabinet.
- To prevent moving the bottles unnecessarily when searching for a particular wine, keep bottles of the same wine on the same shelf.
- Store the bottles horizontally, so that cork stoppers are also kept moist from within.



Total number of bottles; 30pcs

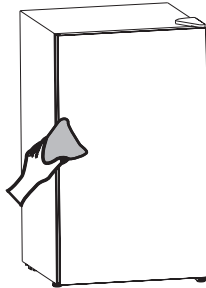
CLEANING THE APPLIANCE



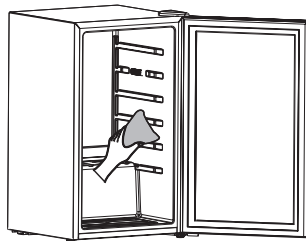
Before cleaning, unplug the appliance from the power mains.

- Use a soft cloth to clean all surfaces. Cleaners that contain abrasive substances, acids, or solvents are not suitable for cleaning as they may damage the surface.

Clean the appliance **exterior** with water or a mild solution of suds.



Wipe the **inside surfaces** with a sponge and baking soda solution. The solution should be about 2 tablespoons of baking soda to 1 quart (approx. 1 litre) of warm water. Wash the shelves with a mild detergent solution. Allow wooden shelves to dry before placing back into the wine cooler.



Do not use steel wool or steel brush on the stainless steel. These will scratch the stainless steel with steel particles and rusting may occur.



Appliance **interior** can be cleaned with lukewarm water to which you can add some **vinegar**.



- Do not wash the parts of appliance interior equipment in a dishwasher as they may be damaged.

TROUBLESHOOTING

Problem:	Cause or remedy
If the appliance is not working, check	<ul style="list-style-type: none"> • There is power to the appliance • The house fuses or circuit breakers are intact and the fuse in the plug has not blown. • The plug socket is functioning correctly. To check this, plug another electrical appliance in to see if the socket is working. • The ambient temperature is between 16°C to 38°C.
The appliance is working, but not very well, check	<ul style="list-style-type: none"> • The appliance is not overloaded. • The thermostat is set to an appropriate temperature. • The door is closing properly. • The door gasket is sealing properly • There is enough ventilation at the side and rear walls. • The ambient temperature is between 16°C to 38°C.
The appliance is noisy, check	<ul style="list-style-type: none"> • The appliance is level and stable. • The cooling gas will make some noise, even when the compressor is not running. • During operation, it is normal for the fan to run, even when the compressor is not running.
Condensate (dew) on the shelf	<ul style="list-style-type: none"> • This is transient phenomenon which cannot be entirely avoided in periods of high environment temperature and humidity. It subsides when temperature and humidity are normalized.
The appliance is turning cooling on and off frequently	<ul style="list-style-type: none"> • The internal temperature is fluctuating, causing the system to cool..
The light does not work, check	<ul style="list-style-type: none"> • There is power to the appliance. • The house fuses or circuit breakers are intact and the fuse in the plug has not blown. • The light button is not set to off <p>Please note: The LED lighting cannot be replaced without a service call. If the light fails, contact Gorenje Customer Care.</p>

Problem:	Cause or remedy
The door will not close properly, check	<ul style="list-style-type: none"> • The appliance is level and stable. • If the door has been removed, it may not have been correctly refitted. • Whether the door seal is dirty. • The shelves are positioned correctly.
Water on the floor	<ul style="list-style-type: none"> • Water drain hole is blocked.

If the above tips do not resolve your problem, call the nearest authorized service centre and state the type, model, and serial number indicated on the appliance rating plate or label located in the appliance interior.

WE RESERVE THE RIGHT TO CHANGES THAT DO NOT AFFECT THE APPLIANCE FUNCTIONALITY.

Gorenje, d.o.o.
 Partizanska 12
 SI - 3320 Velenje, Slovenija
 info@gorenje.com
 www.gorenje.com