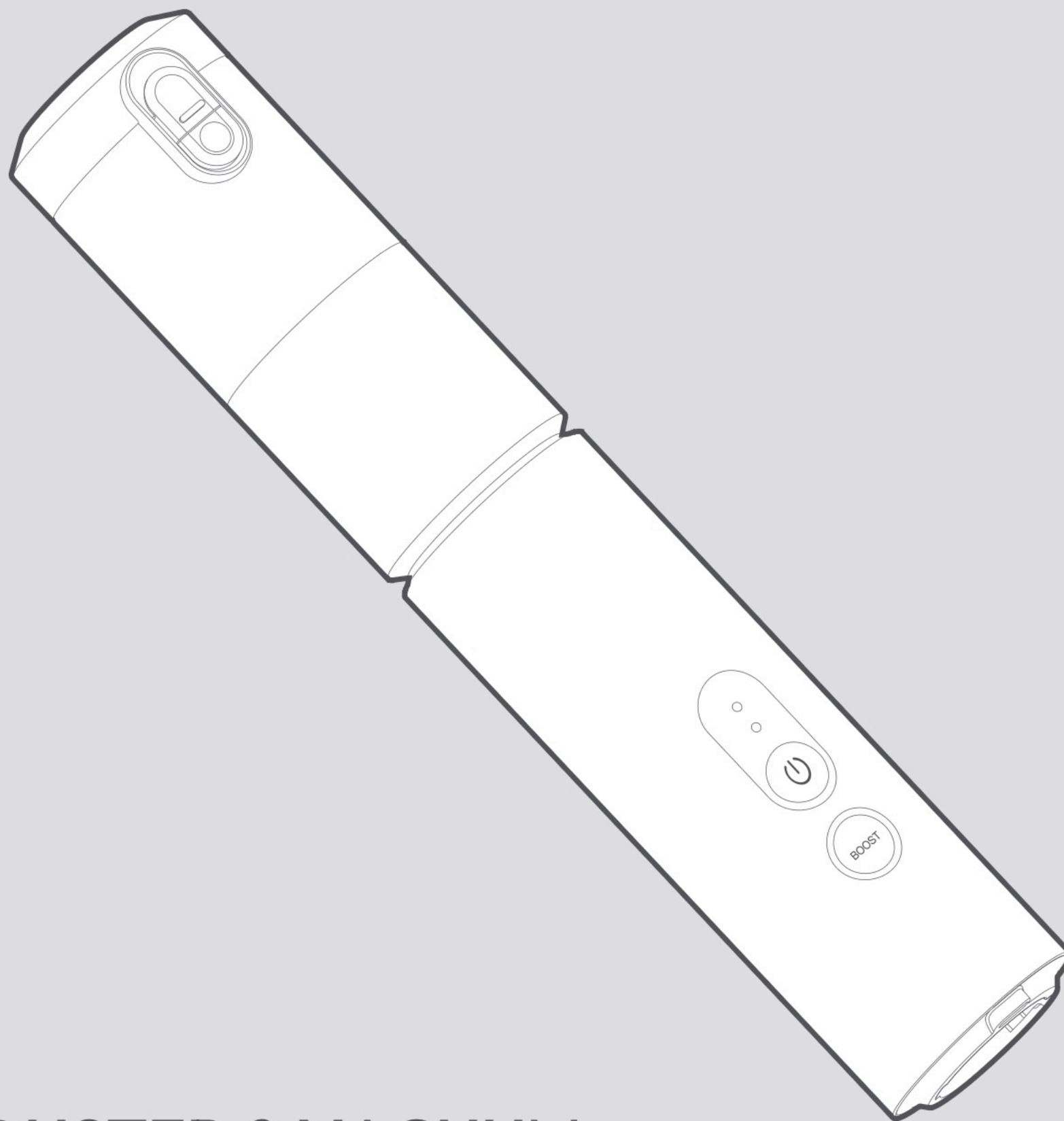


HOTO AUTOCARE **PLUS**



AIR DUSTER & VACUUM



Visit our website for more Cool Tools
www.hototools.com

01 Safety Instructions

Warning!

Please read all safety warnings, instructions, illustrations, and rules provided along with the product and keep all warnings and instructions for reference.

Read this manual carefully before use, and retain it for future reference.

This product will produce noise above 75 dB (A) when in operation.

Please exercise caution.

Do not vacuum cleaning without attaching dust cup.

This product is very powerful, please keep distance with your hair while using.

Precautions

- This product is not intended for use by persons (including children) with reduced physical, sensory or mental capabilities, or lack of experience and knowledge, unless they have been given supervision or instruction concerning use of the product by a person responsible for their safety.
- Children should be supervised to ensure that they do not play with the product.
- Do not keep the product at a temperature below -10°C or above 45°C , because overcooling or overheating will shorten the product's life of service and damage the built-in battery.
- If the product is left idle for long, its battery may be damaged. Please charge the product at least every three months.
- The product is equipped with a built-in direct current machine. Please do not use it in flammable and explosive environments.
- If the machine makes a strange noise or overheats during operation, please turn it off immediately.
- Please do not leave during the inflating. Observe the inflating process to prevent the inflating pressure from being too high.
- Please use the product in a dry and clean environment, as the product is not waterproof. Do not rinse the product.

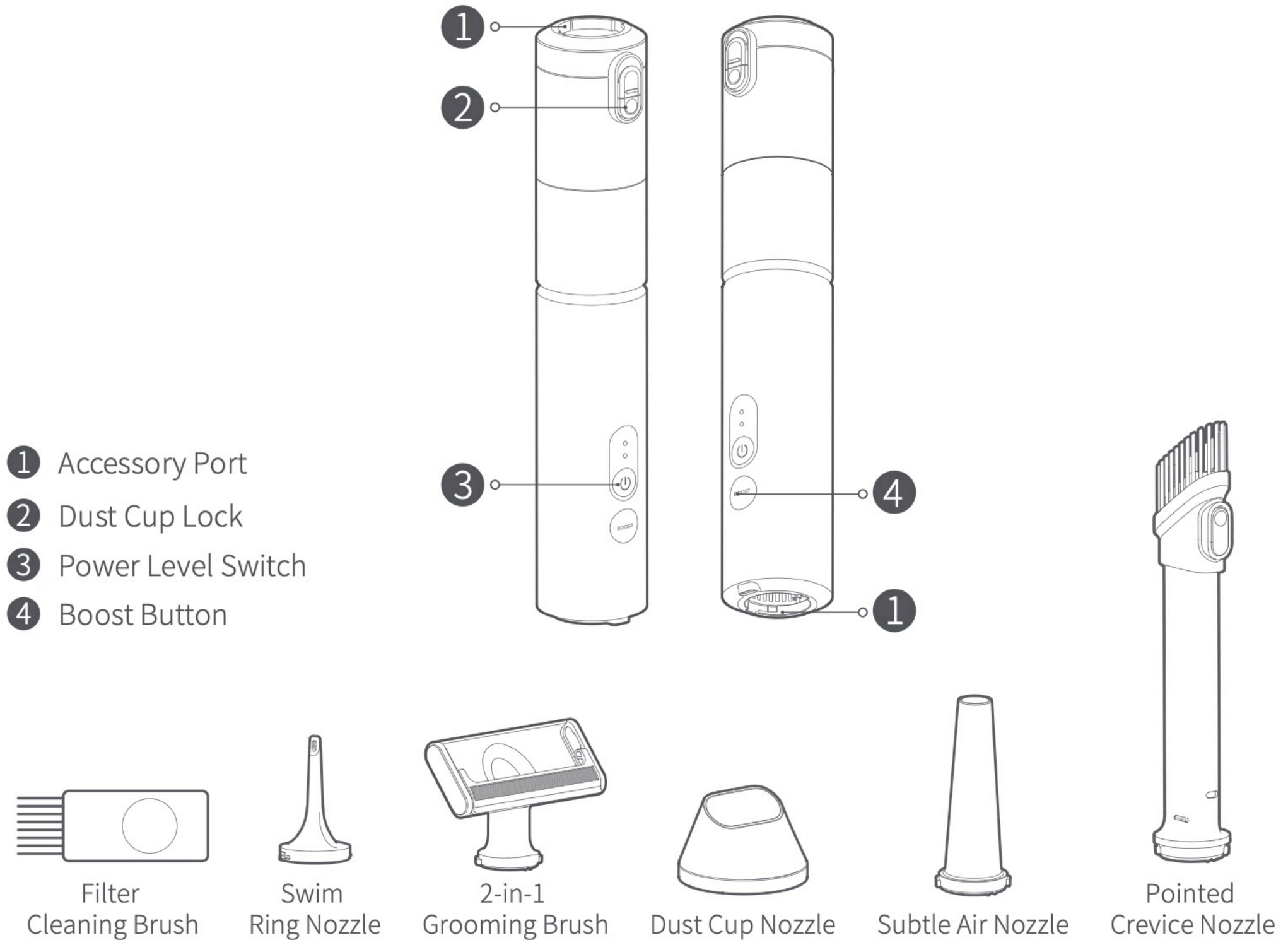
- Please use a safe and compliant adapter, in combination with a compliant charging cable, to charge the product. Faults caused by a failure to charge as stipulated above will not be covered by the warranty.
- Do not suck up liquids.
- It must only be supplied at SELV.
- This appliance contains batteries that are non-replaceable.
- Cleaning and user maintenance shall not be made by children without supervision.
- Do not use the product to clean any burning objects. Do not use the product to pick up flammable or combustible liquids, corrosive gases, or undiluted acids or solvents.

Battery

- Please do not place the battery in extremely hot environments, such as sunshine, fire, microwave oven, and oven. Otherwise, explosions or flammable liquid and gas leakages may be caused.
- Please do not disassemble, hit, crush, or cut the battery. Otherwise, explosions may be caused.
- Please do not place the battery under extremely low air pressure. Otherwise, the battery may explode, or the flammable liquid and gas may leak.
- Please do not use the product if its battery is severely swollen.
- Before disposing of the device, remove the battery.
- Ensure the device is disconnected from the power supply when removing the battery.
- The battery must be disposed of safely.

02 Product Overview

HOTO AutoCare Plus Air Duster & Vacuum is an on-the-go dust collector for cleaning inside and outside the car and small indoor spaces. After appropriate accessories are installed on both ends of the product, the product enables dust suction, dust blowing, inflation, or vacuuming. For detailed features, please refer to the product sales page or contact HOTO customer service. The product images are for illustrative purposes only. Please refer to the actual product.



03 Instructions for Use

Battery indicator and charging

Battery level indicator

When the product is working, its battery indicator light is on. When the power is $\geq 20\%$, the white indicator light always stays on.

When the power is $< 20\%$, the red indicator light always stays on, indicating that the product needs charging.

Charging

Please fully charge this product before first use. Please charge the product using an adapter that matches the product's charging power through a charging cable. The adapter is not included in the product package. Please buy a safe and compliant USB adapter.

Charging status:

When the product is being charged, the white indicator light breathes.

When the product is 100% charged, The indicator light remains illuminated for 20 seconds and then goes out.

Note:

Do not use the product when it is being charged.

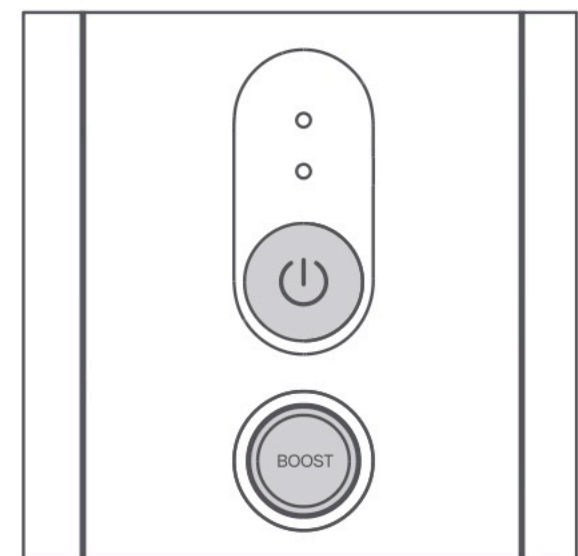
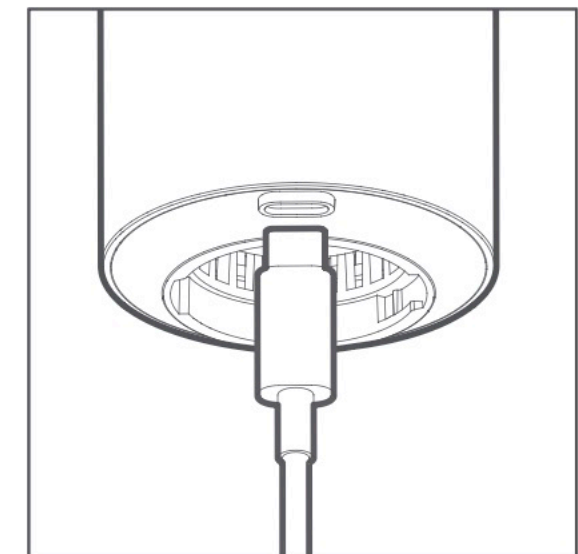
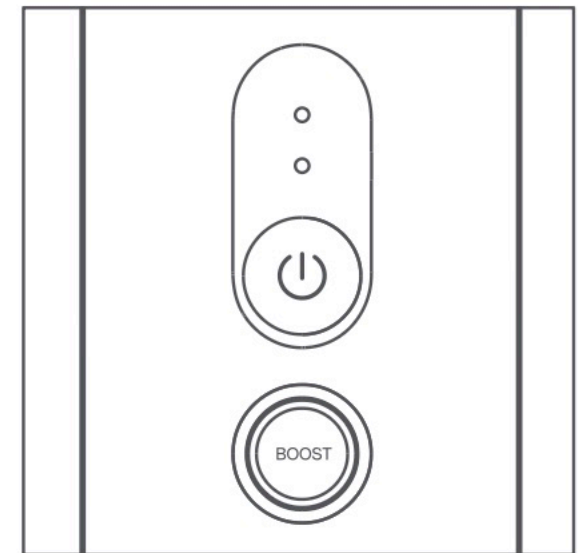
Power on/power off/gear switch

Power on

Press and hold the ON/OFF button for 2 second to power on the product and it will start working.

Power off

When the product is working, press and hold the ON/OFF button for 2 second to make it stop working and power it off.



Gear switch

The product will run in high gear by default after being powered on. Press the ON/OFF button to switch to low gear, or press the same button to switch to high gear.

Boost mode

In any gear, press and hold the Boost mode button to activate Boost mode for more powerful performance.

To return to the previous gear, press and hold the Boost mode button again while in Boost mode.

Installation and cleaning of the dust suction accessories

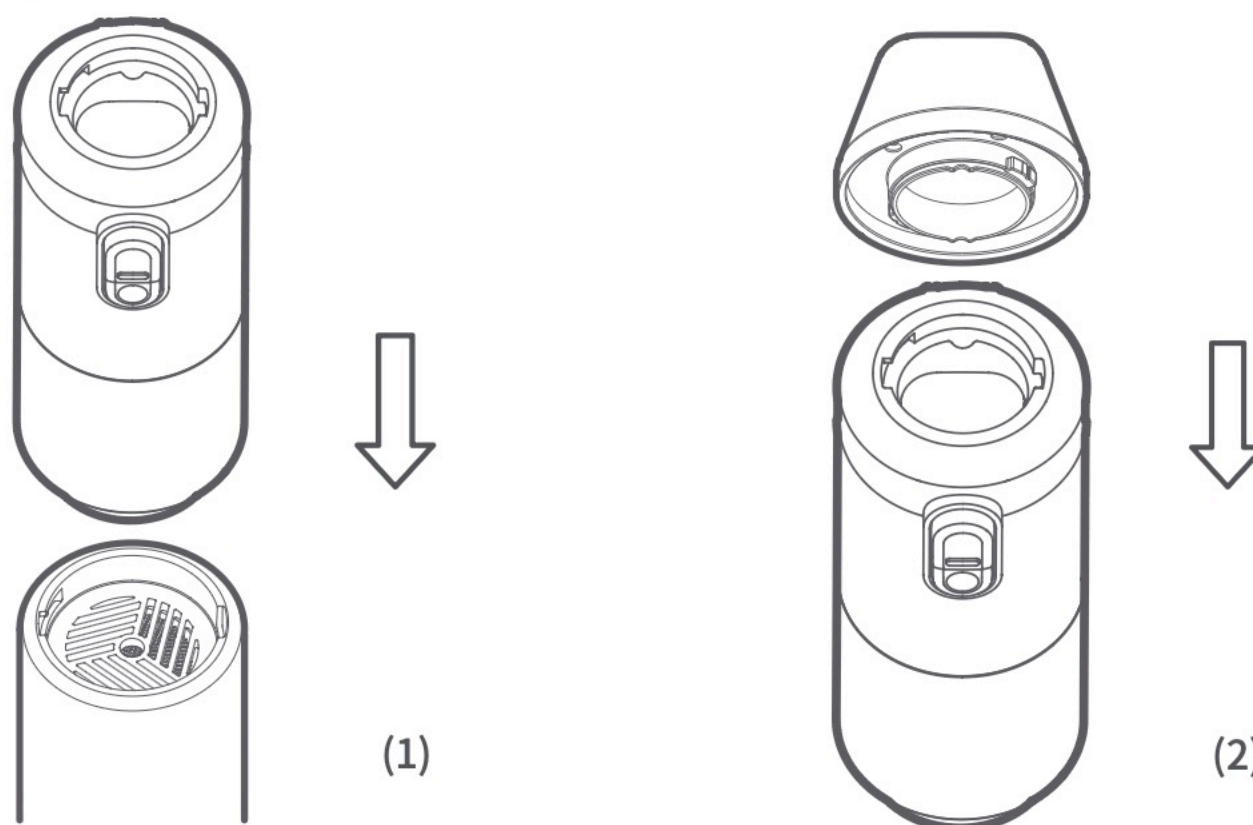
Installation of the dust cup

Align the dot marking on the dust cup with the unlocking marking on the machine body, insert the dust cup, and rotate it clockwise to tighten it up. When the dust cup is installed, the dot marking on the dust cup will be aligned with the locking marking on the machine body. You can remove the dust cup by rotating it counterclockwise.

Installation of the dust cup nozzle

Align the bump on the dust cup nozzle with the groove at the dust cup rim, insert the dust cup nozzle, and rotate and tighten it clockwise until you feel an obvious blocking sensation, which indicates that the nozzle is in place.

To remove the dust cup nozzle, rotate it counterclockwise.



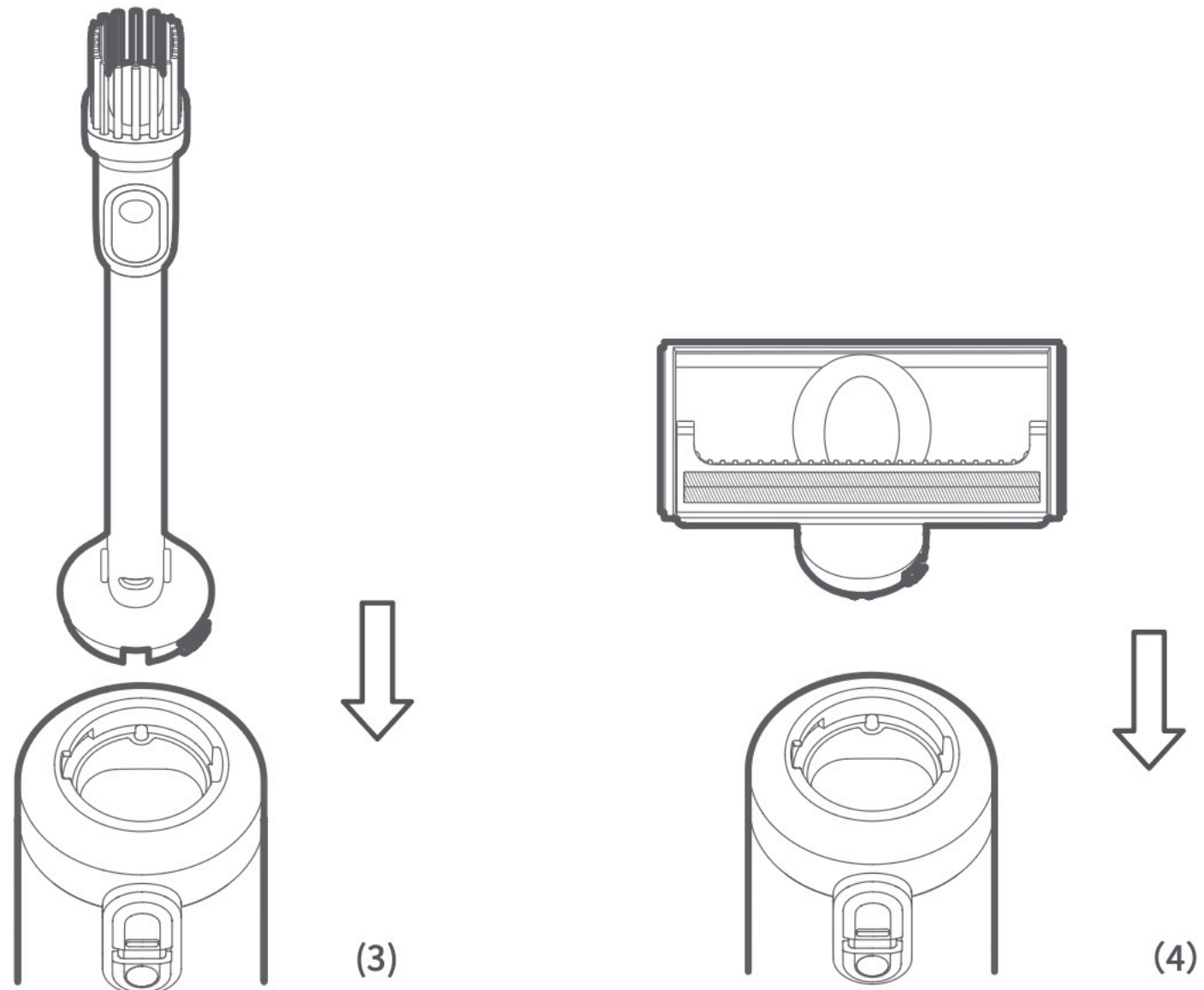
Installation of the pointed crevice nozzle

After installing the dust cup, align the raised outer ring of the slit suction head with the groove at the dust cup rim, insert the head and rotate it clockwise until you feel an obvious blocking sensation, which indicates that the head is in place. The brush component is movable. It can be pulled and pushed back and forth. To remove the slit suction head, hold it and rotate it counterclockwise.

Installation of the multi-functional brush head

Align the bump on the multi-functional brush head with the groove at the dust cup rim, insert the brush head, and rotate and tighten it clockwise until you feel an obvious blocking sensation, which indicates that the head is in place. To remove the brush head, hold it and rotate it counterclockwise.

The comb section of the brush head can be flipped to adapt to different cleaning scenarios.



Installation of the air nozzle

Installation of the subtle air nozzle

For dust blowing: Align the bump on the air nozzle with the groove at the blowing port, insert the nozzle, and rotate and tighten it clockwise until you feel an obvious sensation of blocking, which indicates the nozzle is in place.

For dust suction: Align the bump on the air nozzle with the groove at the dust cup rim, insert the nozzle, and rotate and tighten it clockwise until you feel an obvious sensation of blocking, which indicates the nozzle is in place.

To remove the air nozzle, rotate it counterclockwise.

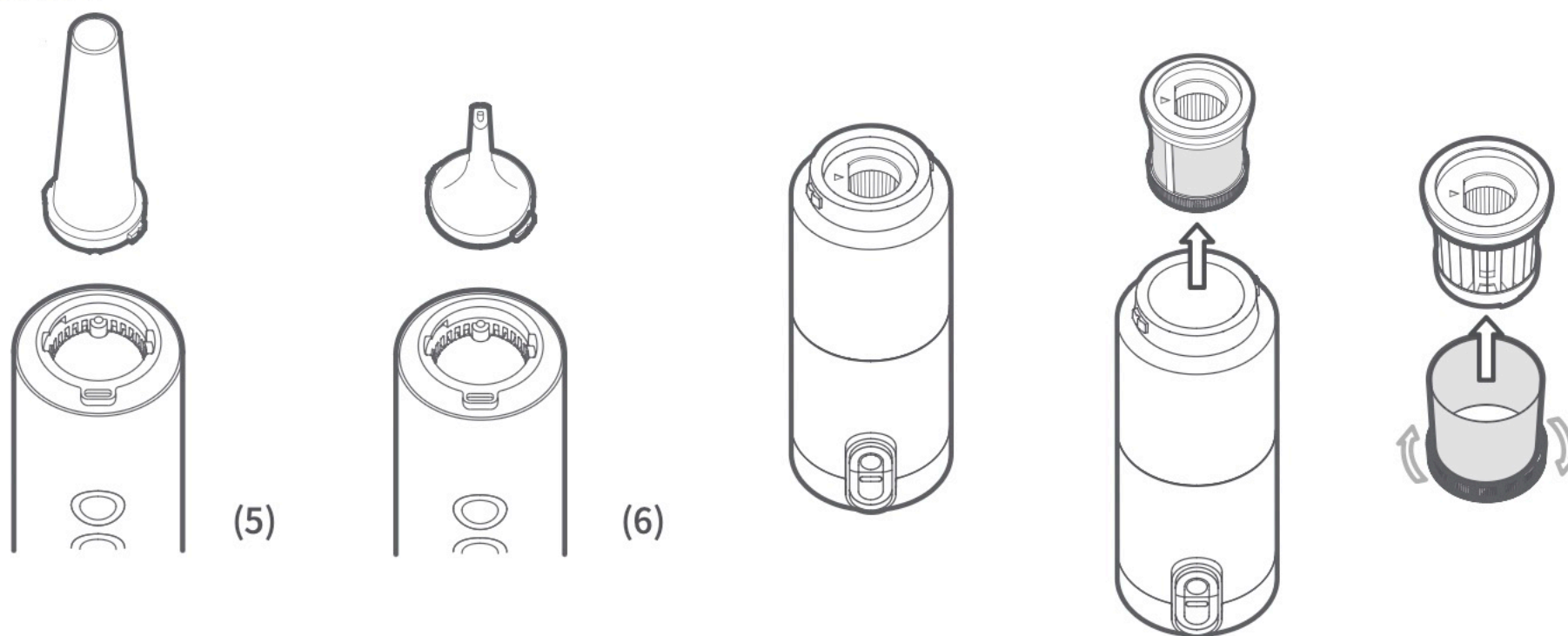
Installation of the swim ring nozzle

Align the bump on the swim ring nozzle with the groove at the blowing port, insert the nozzle, and rotate and tighten it clockwise until you feel an obvious sensation of blocking, which indicates the nozzle is in place.

To remove the nozzle, rotate it counterclockwise.

Removal and installation of the dust cup filter

1. Pull the filter cartridge out from the base of the dust cup.
2. Rotate to unlock the filter cartridge cover, and remove the metal mesh from the cartridge. If you need to replace the filter, please clean the inside of the dust cup first.
3. Align the new filter with the metal mesh and rotate it into place. After rotating to tighten the cartridge cover, push the filter in from the bottom of the dust cup, and secure it to complete the installation.



Caution

Use with caution when the allowable pressure of the balloon is lower than the product's maximum inflation pressure.

Install the dust cup before dust suction. Do not use accessories other than the dust cup for dust suction, as the intrusion of fine dust may damage the product.

04 Troubleshooting

Issues	Possible causes	Solutions
Vacuum cleaner not working	Product has no power or insufficient battery	Charge the product fully before use
	Blocked airways or clogged filter	Clean the suction inlet or airways, and wash the filter
	Overheating of the airway leading to activation of protection	Wait for the main unit to cool down and then try again
Reduced suction power	Dust cup is full or filter is clogged	Empty the dust cup and clean the filter
	Blockage in the suction head or other accessories	Clean the blockages in the accessories
Shorter battery life	Battery not fully charged	Use the product after it is fully charged
	Dust cup is full or filter is clogged	Empty the dust cup and clean the filter
	Blockage in the suction head or other accessories	Clean the blockages in the accessories
Abnormal noise during operation	Foreign objects in the dust cup or suction head	Clean the blockages in the dust cup or suction head
Charging indicator not lighting up	Main unit and charger are not properly connected	Check if the charger and charging cable are properly connected
	Battery is fully charged and has entered sleep mode	Reconnect the charging cable and check if the charging indicator lights up
Slow charging	Battery temperature is too low or too high	Wait for the battery temperature to return to normal before charging

05 Specifications

Name: HOTO AutoCare Plus Air Duster & Vacuum

Model: QWCXA008

Item Dimensions: Approx. 55 × 55.2 × 170.5 mm
(2.17 × 2.17 × 6.71 in)

(bare machine, without accessories)

Net Weight: Approx. 350 g (0.77 lb)

Color: Black

Max Suction: 20000 Pa

Operating Temperature: 0°C to 40°C

Charging Temperature: 5°C to 40°C

Storage Temperature: -10°C to 45°C

Battery Type: Lithium-ion battery

Rated Capacity: 2500mAh

Operating Noise: Around 75dB (A)

Rated Input: 5V $\overline{=}$ 3A

Rated Power: 135W


Rated Voltage: 10.8V $\overline{=}$

Charging Port: Type-C


Charging Time: Approx. 3 hours

06 Regulatory Compliance Information

Europe — EU declaration of conformity

 We, Shanghai HOTO Technology Co., Ltd., hereby, declare that this equipment is in compliance with the applicable Directives and European Norms, and amendments.

Disposal and recycling information

 All products bearing this symbol are waste electrical and electronic equipment (WEEE as in directive 2012/19/EU) which should not be mixed with unsorted household waste. Instead, you should protect human health and the environment by handing over your waste equipment to a designated collection point for the recycling of waste electrical and electronic equipment, appointed by the government or local authorities. Correct disposal and recycling will help prevent potential negative consequences to the environment and human health. Please contact the installer or local authorities for more information about the location as well as terms and conditions of such collection points.

Notes for packaging



The packaging materials are recyclable.
Please dispose of packaging in an environmentally friendly manner.

Federal Communications Commission Supplier's Declaration of Conformity

This supplier's declaration of conformity is hereby for

Product: HOTO AutoCare Plus Air Duster & Vacuum

Model Number(s): QWCXA008

Brand/Trade: HOTO

We declare that the above mentioned device has been tested and found in compliance with CFR 47 Part 15 Regulation.

This device complies with part 15 of the FCC Rules. Operation is subject to the following two conditions: (1) This device may not cause harmful interference, and (2) this device must accept any interference received, including interference that may cause undesired operation.

Note: This equipment has been tested and found to comply with the limits for a Class B digital device, pursuant to part 15 of the FCC Rules. These limits are designed to provide reasonable protection against harmful interference in a residential installation. This equipment generates, uses and can radiate radio frequency energy and, if not installed and used in accordance with the instructions, may cause harmful interference to radio communications. However, there is no guarantee that interference will not occur in a particular installation. If this equipment does cause harmful interference to radio or television reception, which can be determined by turning the equipment off and on, the user is encouraged to try to correct the interference by one or more of the following measures:

- Reorient or relocate the receiving antenna.
- Increase the separation between the equipment and receiver.
- Connect the equipment into an outlet on a circuit different from that to which the receiver is connected.
- Consult the dealer or an experienced radio/TV technician for help.

Representative of Responsible Party for SDoC

Company: HOTO (US) TECHNOLOGY CO LTD

Address: 919 North Market Street, Suite 950, Wilmington DE 19801

Country: U.S.A.

Customer Service(US): +1 855-577-2659

Mon-Fri 9:00 am - 5:00 pm(CST)

Manufacturer: Shanghai HOTO Technology Co., Ltd.

Address: Building 45, No.50 Moganshan Road, Shanghai, China

DECLARATION OF CONFORMITY



EU Declaration of Conformity

We

Shanghai HOTO Technology Co., Ltd.

Declare that the product:

HOTO AutoCare Plus Air Duster & Vacuum / QWCXA008

Complies with the essential health and safety requirements of the following directives:

2014/30/EU Electromagnetic Compatibility directive References to the following harmonized standard were made:

EN IEC 55014-1:2021

EN IEC 55014-2:2021

EN IEC 61000-3-2:2019+A1:2021+A2:2024

EN 61000-3-3:2013+A2:2021+AC:2022-01

2011/65/EU+ (EU) 2015/863 Restrictions of the Use of Certain Hazardous Substances in Electrical and Electronic Equipment

Authorised signatory and technical file holder:

Shanghai HOTO Technology Co., Ltd.

Building 45, No.50 Moganshan Road, Shanghai, China.



Apex CE Specialists GmbH

Grafenberger Allee 277,

40237 Düsseldorf DE

E-Mail: Info@apex-ce.de

Designed by **HOTO**