

# REMINGTON®

## ELECTRIC BLOWER/VAC OWNER'S MANUAL



MODELS: BV12200A, BV12200AT

**IMPORTANT:** Read and understand this manual before assembling or operating this appliance. Improper use of this appliance can cause severe injury or death. Keep this manual for future reference.



# table of contents

---

<b>1</b>	<i>Important Safety Information</i>	<i>1</i>
<b>2</b>	<i>Product Identification</i>	<i>3</i>
<b>3</b>	<i>Blower/Vac Assembly</i>	<i>4</i>
	Assembling Blower . . . . .	<i>4</i>
	Converting from Blower to Vacuum . . . . .	<i>5</i>
<b>4</b>	<i>Blower/Vac Operation</i>	<i>7</i>
	Extension Cords . . . . .	<i>7</i>
	Operating the Blower/Vac . . . . .	<i>8</i>
<b>5</b>	<i>Blower/Vac Maintenance</i>	<i>11</i>
	Cleaning and Maintenance . . . . .	<i>11</i>
	Servicing of Double-Insulated Appliances . . . . .	<i>11</i>
<b>6</b>	<i>Troubleshooting</i>	<i>12</i>
<b>7</b>	<i>Replacement Parts</i>	<i>13</i>
<b>8</b>	<i>Warranty Information</i>	<i>14</i>



# welcome

---

Thank you for purchasing this Remington brand Electric Blower/Vac. We are proud to offer this quality product to assist you in keeping your property neat and well-groomed.

This owner's manual provides complete instructions for safely assembling, operating, and maintaining your Blower/Vac. Read and save these instructions. Refer to this manual each time before using your Blower/Vac.

For easy reference, record the information from the carton and Remington brand nameplate label located on the appliance.

<b>Model Number:</b> _____
<b>Date Purchased:</b> _____
<b>Where Purchased:</b> _____

If you have a question or problem,  
CALL TOLL FREE 1-800-858-8501  
or visit [www.desatech.com](http://www.desatech.com)

# 1 important safety information

## SAFETY WARNINGS

When using an electric appliance, basic precautions should always be followed, including the following:

**⚠ WARNING: When using blower/vac, follow all basic safety precautions to reduce the risk of fire, electric shock, and personal injury.**

**⚠ WARNING: This product contains chemicals known to the State of California to cause cancer or birth defects, or other reproductive harm.**

**⚠ WARNING: To Reduce The Risk of Electric Shock – Do not use vacuum on wet surfaces. Do not expose to rain. Store indoors.**

## BEFORE OPERATING BLOWER/VAC

READ ALL INSTRUCTIONS BEFORE OPERATING THIS BLOWER/VAC.

- Avoid Dangerous Environments
  - This blower/vac is intended for indoor or outdoor use. Do not operate blower/vac in rain or in damp or wet locations.
  - Do not handle electric plug or blower/vac with wet hands.
  - Do not use to vacuum any liquids or wet surfaces. Especially, do not use to vacuum flammable or combustible liquids, such as gasoline, or in areas where they may be present.
  - Do not vacuum anything that is burning or smoking, such as cigarettes, matches, or hot ashes.
  - Do not operate blower/vac if it is damaged or not securely and fully assembled.
- Do not allow blower/vac to be used as a toy. Pay close attention when using blower/vac near children.
- Do not use blower/vac for any job except that for which it is intended. Use only as described in this manual. Use only attachments included with this blower/vac.
- Do not use vacuum without dust bag and/or filters in place.
- Always wear eye protection that meets or exceeds the requirements of ANSI Z87.1.
- Wear long pants and shoes when operating this blower/vac.
- Provide Ground Fault Circuit Interrupter (GFCI) protection on the circuit or outlet to be used for blower/vac. You may use receptacles with built-in GFCI protection for this safety measure.

## WHILE OPERATING BLOWER/VAC

- Stay alert. Watch what you are doing. Use common sense.
- Keep hair, loose clothing, fingers, and all parts of body away from openings and moving parts.
- Never operate this blower/vac with defective guards or shields, or without safety devices in place.
- Disconnect from power supply before clearing any blockage.
- Do not abuse power cord. Never pull or carry blower/vac by power cord. Never yank cord to disconnect from receptacle. To unplug, grasp plug, not the cord. Do not close a door on the cord. Keep power cord from heat, oil, and sharp edges.
- Use extra care when using blower/vac on stairs.
- Do not put any object into openings. Do not use with any opening blocked. Keep free of dust, lint, hair, and anything that may reduce air flow.
- Disconnect blower/vac properly. Turn off all controls before disconnecting blower/vac from power supply.
- The impeller rotates for a few seconds after turning blower/vac off. The rotating impeller can cut or injure fingers. Do not remove the bottom inlet cover while the motor is running or when the blower/vac is plugged into a power outlet.
- Do not leave blower/vac when plugged in. Unplug unit from outlet when not in use and before servicing.

## MAINTENANCE AND STORAGE OF BLOWER/VAC

1. Maintain blower/vac with care.
  - Do not use with damaged cord or plug.
  - If blower/vac is not working properly, has been dropped, damaged, left outdoors, or dropped into water, have it repaired by a qualified service center.
  - Keep handles dry, clean, and free from oil and grease.
2. Check damaged parts.
  - If a part is damaged, carefully check the damaged part before using the blower/vac. Make sure the part will operate properly and perform its intended function.
  - Check for alignment of moving parts, binding of moving parts, breakage of

parts, mounting, and any other condition that may affect its operation.

- A guard or other part that is damaged should be properly repaired or replaced by a qualified service center unless indicated elsewhere in this manual.
3. Store idle blower/vac indoors. When not in use, store the blower/vac and extension cord indoors in a dry location. Store blower/vac above the reach of children or in a locked area out of the reach of children.
  4. This appliance is provided with double insulation. Use only identical replacement parts. See instructions for servicing of double-insulated appliances on page 11.

This manual is your guide to safe and proper operation of the blower/vac.

# SAVE THESE INSTRUCTIONS.

## 2 product identification

- A. Blower/Vac Housing
- B. On/Off Switch
- C. Blower Tube
- D. Bottom Inlet Cover
- E. Vacuum Bag Adapter
- F. Vacuum Bag
- G. Vacuum Tube Adapter
- H. Upper Vacuum Tube
- I. Lower Vacuum Tube
- J. Extension Cord Retainer
- K. Inlet Plug
- L. Draw Latch

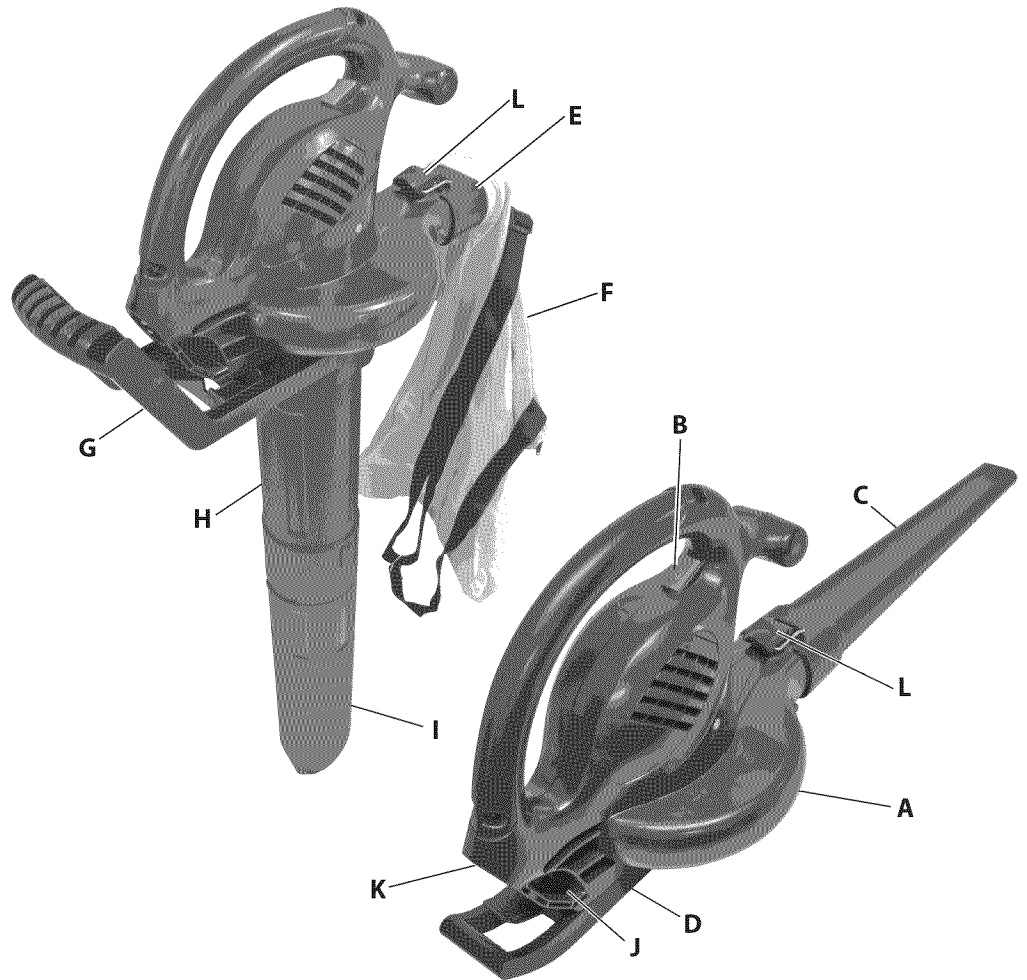


Figure 2-1: Remington brand electric blower/vac

### Specifications

	BV12200A	BV12200AT
Input	120V, 12A	120V, 12A
Max. Blower Velocity	200 mph	200 mph
Max. Blower Air Output	350 ft <sup>3</sup> /min.	350 ft <sup>3</sup> /min.
Vacuum Bag Capacity	1.6 ft <sup>3</sup> / 45 L	1.6 ft <sup>3</sup> / 45 L
Net Weight	9 lbs. (4.1 Kg)	9 lbs. (4.1 Kg)

## 3 blower/vac assembly

### Assembling Blower

**⚠ WARNING: To Reduce The Risk of Personal Injury or Electric Shock – Disconnect from power source before assembling or changing attachments.**

Follow the steps below to assemble the blower. **IMPORTANT:** The blower will not run unless the bottom inlet cover is locked into place.

1. Slide the blower tube onto outlet on front of blower/vac housing (see Figure 3-1). Securely connect the draw latch to the blower tube (see Figure 3-2).
2. Position front of bottom inlet cover over motor housing hook (see Figure 3-3).
3. Pivot bottom inlet cover to bottom of blower/vac housing. Slightly press locking lever on bottom inlet cover to allow cover to lock into place (see Figures 3-4 and 3-5).

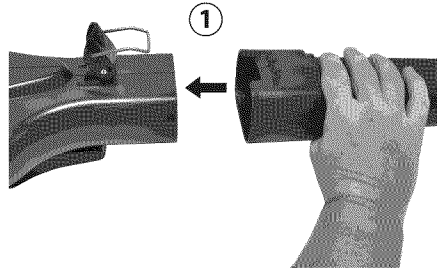


Figure 3-1: Sliding blower tube into place

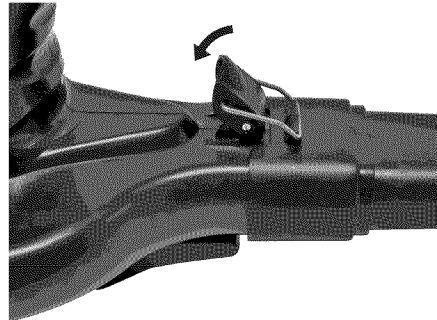


Figure 3-2: Connect draw latch to blower tube

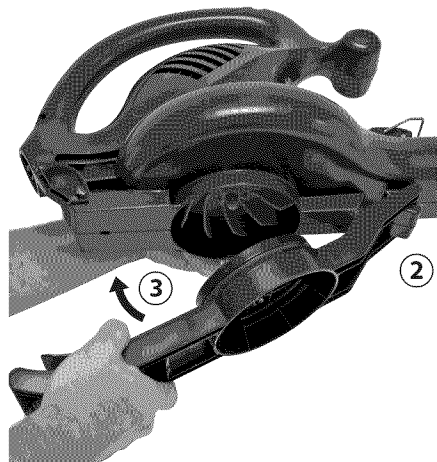


Figure 3-3: Attaching bottom inlet cover to motor housing hook

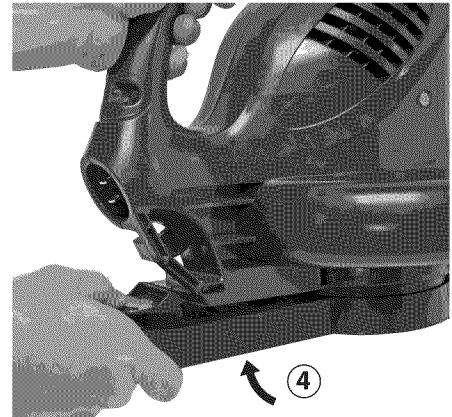


Figure 3-4: Pivoting bottom inlet cover to blower/vac housing

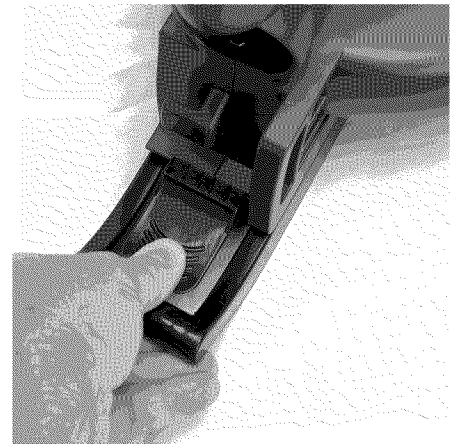


Figure 3-5: Pressing locking lever

## Converting from Blower to Vacuum

**⚠ WARNING: To Reduce The Risk of Personal Injury or Electric Shock – Disconnect from power source before assembling or changing attachments.**

Follow the steps below to convert from blower to vacuum. **IMPORTANT:** The vacuum will not run unless the vacuum tube assembly is locked into place.

1. Press locking lever on bottom inlet cover and remove bottom inlet cover from blower/vac. Remove blower tube from blower/vac.
2. Slide vacuum tube adapter onto outlet on front of blower/vac housing (see Figure 3-6). Securely connect the draw latch to the vacuum bag adapter (see Figure 3-7).
3. Connect the lower and upper vacuum tubes together (see Figure 3-8). Align the ridge on the bottom tube with the channel on the top tube. Press together until you hear a “snap”.

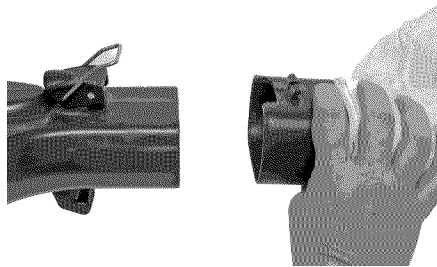


Figure 3-6: Sliding vacuum tube adapter into place

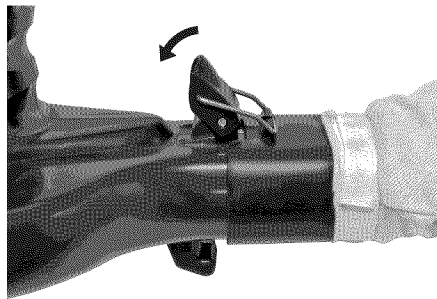


Figure 3-7: Connect draw latch to vacuum bag adapter

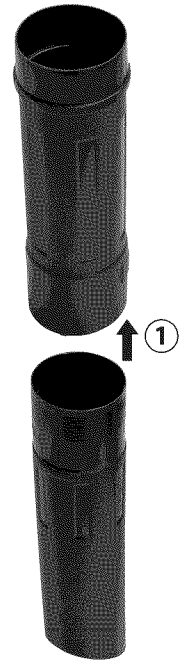


Figure 3-8: Connecting lower and upper vacuum tube together

**Converting from Blower to Vacuum, continued**

4. Connect the tubes to the vacuum tube adapter (see Figure 3-9). Align the tab on the top tube with the notch on the vacuum tube adapter. Press together until you hear a “snap”.
5. Position front of vacuum tube adapter assembly over motor housing hook (see Figure 3-10).
6. Pivot vacuum tube adapter assembly to bottom of blower/vac housing. Slightly press locking lever on vacuum tube adapter to allow adapter to lock into place (see Figures 3-11 and 3-12).

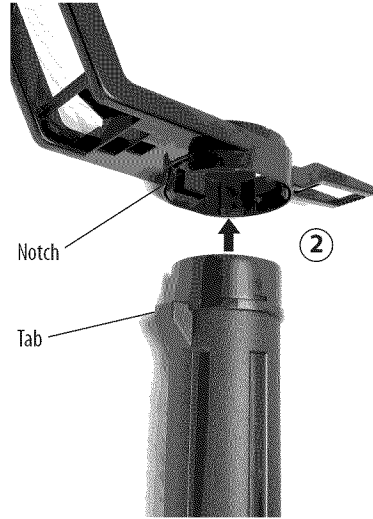


Figure 3-9: Connecting vacuum tubes to vacuum tube adapter

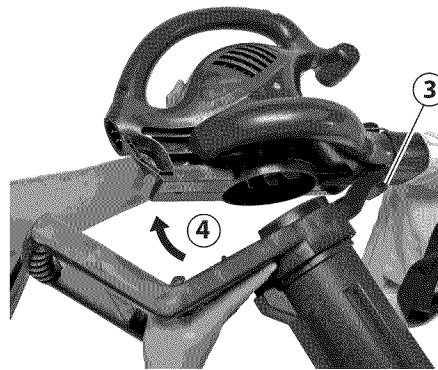


Figure 3-10: Attaching vacuum tube adapter to motor housing hook

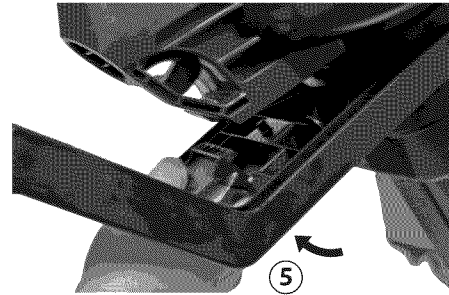


Figure 3-11: Pivoting vacuum tube adapter to blower/vac housing

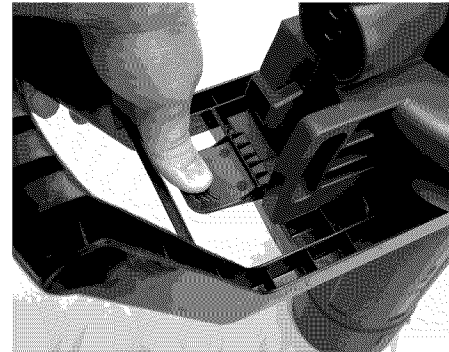


Figure 3-12: Pressing locking lever

# 4 blower/vac operation

**IMPORTANT:** This blower/vac is for household use only.

**⚠ WARNING: Read and understand this owner's manual before operating blower/vac. Make certain you read and understand all Safety Warnings on pages 1 and 2 of this manual. Improper use of this blower/vac can result in severe injury or death from fire, electric shock, or body contact with moving parts.**

**⚠ WARNING: To reduce the risk of electric shock, use only with an extension cord intended for outdoor use, such as SW-A, SOW-A, STW-A, STOW-A, SJW-A, SJOW-A, SJTW-A, or SJTOW-A.**

## Extension Cords

Make sure your extension cord is in good condition. Inspect extension cords periodically and replace if damaged. When using an extension cord, be sure to use one heavy enough to carry the current your blower/vac will draw. An undersized extension cord will cause a drop in line voltage resulting in loss of power and overheating.

The table below shows the correct size extension cord to use depending on cord length and nameplate ampere rating. If in doubt, use the next larger gauge cord. The smaller the gauge number, the larger the cord. To reduce the risk of disconnection of blower/vac from the extension cord during operation, use the cord hitch described in this manual.

Cord Length	AWG Cord Size
25 feet	16 AWG
50 feet	16 AWG
100 feet	14 AWG
150 feet	12 AWG

To reduce the risk of electric shock, this blower/vac has a polarized plug (one blade is wider than the other) and will require the use of a polarized extension cord. The blower/vac's plug will fit into a polarized extension cord only one way. If the plug does not fit fully into the extension cord, reverse the plug. If the plug still does not fit, obtain a correct polarized extension cord. A polarized extension cord will require the use of a polarized wall outlet. This plug will fit into the polarized wall outlet only one way. If the plug does not fit fully into the wall outlet, reverse the plug. If the plug still does not fit, contact a qualified electrician to install the proper wall outlet. Do not change the blower/vac plug, extension cord receptacle, or extension cord plug in any way.

Inspect cord often. Replace if damaged.

## Connecting Extension Cord

**⚠ WARNING: Fully seat the extension cord on the inlet plug of blower/vac. Failure to do so could lead to overheating of blower/vac. This could cause a fire that results in personal injury to you or others.**

The blower/vac has a built-in extension cord retainer. This cord hitch prevents accidental disconnection of the power cord during use. The cord hitch is molded into the lower rear of the blower/vac housing.

1. Plug extension cord into the inlet plug of appliance (see Figure 4-1).
2. Create a loop in the extension cord and insert the loop through the cord slot of the blower/vac housing (see Figure 4-2).
3. Pull the loop tight around the molded cord hitch (see Figure 4-3).



Figure 4-1: Plugging extension cord into inlet plug

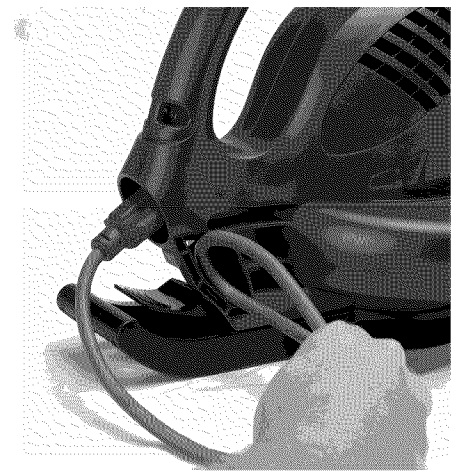


Figure 4-2: Inserting extension cord loop through cord slot

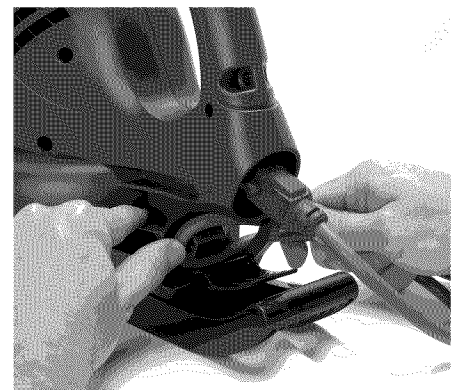


Figure 4-3: Pull extension cord loop tight around molded cord hitch



## Operating the Blower/Vac

The on/off toggle switch has three settings; off, low, and high. The middle switch position, marked “O”, is off. The rear switch position, marked “I”, is low. The forward switch position, marked “II”, is high. See Figure 4-4.

### Blower Operation

**⚠ WARNING: The blower can throw debris, causing injury to those nearby.**

- Do not blow nails, bolts, rocks, or other hard objects.
- Do not operate blower near bystanders or pets.
- Be careful when blowing debris from stairs, corners, or other tight areas. Objects can be blown back toward operator.
- Wear approved eye protection, long pants, and shoes while operating this blower/vac.

Properly assemble the blower/vac for blower operation (see page 4, *Assembling Blower*). Follow the steps below to operate the blower.

1. Hold blower/vac using the handle on housing (see Figure 4-5).
2. When ready to start the blower, toggle the on/off switch to either the low “I” or high “II” setting (see Figure 4-6).
3. To stop the blower, toggle the on/off switch to the off “O” setting.



Figure 4-4: On/Off switch positions



Figure 4-6: On/Off Switch to LOW position



Figure 4-5: Holding blower/vac for blower operation

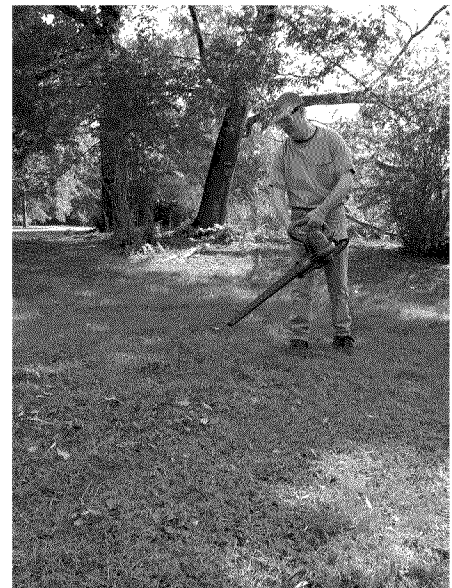


Figure 4-7: Operating blower

## Vacuum Operation

**⚠ WARNING:** The vacuum can throw debris, causing injury to those nearby.

- Do not operate vacuum without the vacuum bag attached or with the bag zipper opened.
- Do not vacuum nails, glass, rocks, wire, staples, or other sharp, pointed, or hard objects. These items could be thrown through the cloth bag.

**⚠ CAUTION:** Vacuum only soft items such as leaves and cut grass. Hard items such as sticks, rocks, and acorns will damage the impeller.

**⚠ CAUTION:** Do not force the vacuum tube into a pile of debris. Do not hold the tube upright and force-feed debris into the tube. These actions may clog and damage the impeller. If the vacuum vibrates excessively or makes abnormal noises, turn vacuum off, unplug power cord, and check for clogging. Clear any clogged debris from the blower/vac.

**⚠ CAUTION:** Normal vacuum usage causes the vacuum bag to wear and deteriorate. A worn or deteriorated bag allows vacuum to throw debris through the bag, possibly hitting and injuring the operator. Check vacuum bag frequently. If it is worn, deteriorated, or damaged, replace with a genuine vacuum bag.

Properly assemble the blower/vac for vacuum operation (see page 5, *Converting from Blower to Vacuum*). Follow the steps below to operate the vacuum.

1. Hang vacuum bag from your shoulder using the attached strap. Hold blower/vac using the handles on housing and vacuum tube adapter assembly (see Figure 4-8).
2. When ready to start the vacuum, toggle the on/off switch to either the low “I” or high “II” setting (see Figure 4-4).
3. Move end of vacuum tube over soft debris. Vacuum will pick up debris, chop it up, and deposit it into vacuum bag (see Figure 4-9).
4. To stop the vacuum, toggle the on/off switch to the off “O” setting.

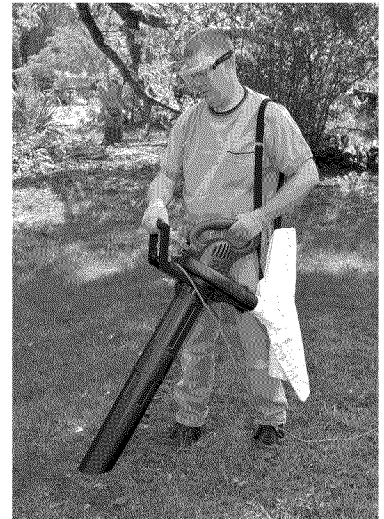


Figure 4-8: Holding blower/vac for vacuum operation



Figure 4-9: Picking up debris with vacuum

### Emptying the Vacuum Bag

1. Turn vacuum off and unplug power cord.
2. Lift and release draw latch on vacuum bag adapter and remove from blower/vac housing (see Figure 4-10).
3. Unzip vacuum bag and shake out contents (see Figure 4-11).
4. Zip the vacuum bag closed and reassemble vacuum bag adapter to blower/vac housing. *Note:* Be sure to securely connect the draw latch to the vacuum bag adapter.



Figure 4-10: Removing bag/adapter assembly



Figure 4-11: Unzipping and emptying bag

### Removing Clogged Debris from the Impeller

1. Turn vacuum off and unplug power cord.
2. Press locking lever on vacuum tube adapter and remove tube adapter assembly from blower/vac (see Figures 4-12 and 4-13).
3. Check the impeller for clogged debris and any signs of damage. Carefully remove debris from impellers (see Figure 4-14).
4. Replace vacuum tube adapter assembly.

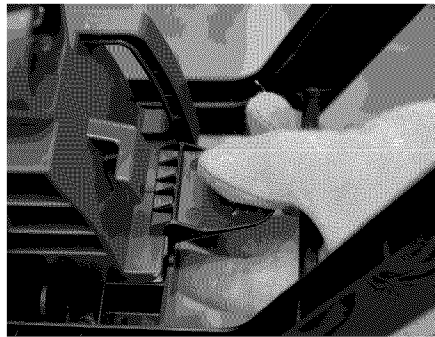


Figure 4-12: Pressing locking lever



Figure 4-13: Removing vacuum tube adapter

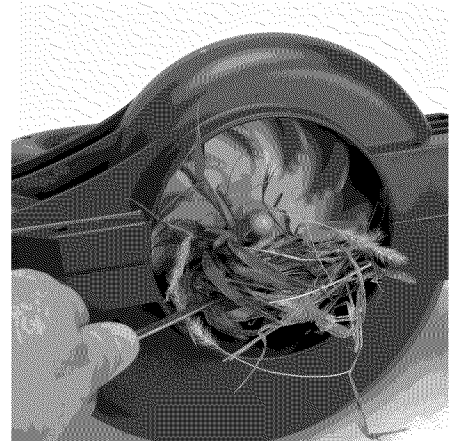


Figure 4-14: Removing debris from impellers

# 5 blower/vac maintenance

## Cleaning and Maintenance

**⚠ WARNING: Disconnect blower/vac from power supply before cleaning or servicing. Severe injury or death could occur from fire, electrical shock, or rotating impeller.**

**⚠ WARNING: When cleaning blower/vac:**

- Do not submerge in any liquids
- Do not use products that contain Ammonia, Chlorine, or abrasives
- Do not use chlorinated cleaning solvents, Carbon Tetrachloride, Kerosene, or Gasoline.

Use a soft cloth dampened with a mild soap and water mixture to wipe blower/vac housing. Do not spray or pour water directly onto blower/vac.

When not in use, store the blower/vac and extension cord indoors in a dry location.



Figure 5-1: Cleaning blower/vac housing

## Servicing of Double-Insulated Appliances

A double-insulated appliance is marked with one or more of the following: The words “DOUBLE INSULATION” or “DOUBLE INSULATED” or the double insulation symbol (square within a square).



In a double-insulated appliance, two systems of insulation are provided instead of grounding. No grounding means is provided on a double-insulated appliance, nor should a means for grounding be added to the appliance. Servicing a double-insulated appliance requires extreme care and knowledge of the system, and should be done only by qualified service personnel. Replacement parts for a double-insulated appliance must be identical to the parts they replace.

## 6 troubleshooting

**⚠ WARNING: Unplug blower/vac from power source before servicing. Severe injury or death could occur from fire, electrical shock, or rotating impeller.**

Note: For additional help, visit our technical service web site at [www.desatech.com](http://www.desatech.com).

OBSERVED FAULT	POSSIBLE CAUSE	REMEDY
Motor does not run when you turn on/off switch low or high	<ol style="list-style-type: none"> <li>1. Bottom inlet cover or vacuum tube adapter not locked into place</li> <li>2. Extension cord connection is loose</li> </ol>	<ol style="list-style-type: none"> <li>1. Check inlet cover or vacuum tube adapter for proper installation (see <i>blower/vac assembly</i>, page 4)</li> <li>2. Check cord connection at electrical outlet and at rear of blower/vac</li> </ol>
Motor runs, but vacuum will not pick up debris	<ol style="list-style-type: none"> <li>1. Clogged vacuum tube or impeller</li> <li>2. Vacuum bag full</li> </ol>	<ol style="list-style-type: none"> <li>1. Follow steps under <i>Removing Clogged Debris from the Impeller</i>, page 10</li> <li>2. Empty vacuum bag (see <i>Emptying the Vacuum Bag</i>, page 10)</li> </ol>
Blower/vac vibrates excessively and/or makes abnormal noises	Clogged vacuum tube or impeller	Follow steps under <i>Removing Clogged Debris from the Impeller</i> , page 10

### Technical Service

You may have further questions about assembling, operating, or maintaining this blower/vac. If so, you can visit our Technical Service web site at [www.desatech.com](http://www.desatech.com) or contact our Technical Service Department at 1-800-858-8501 (English only). You may also write to:

DESA Power Tools

ATTN: Technical Service Specialty Products

P.O. Box 90004

Bowling Green, KY 42102-9004

When contacting DESA Power Tools, have ready

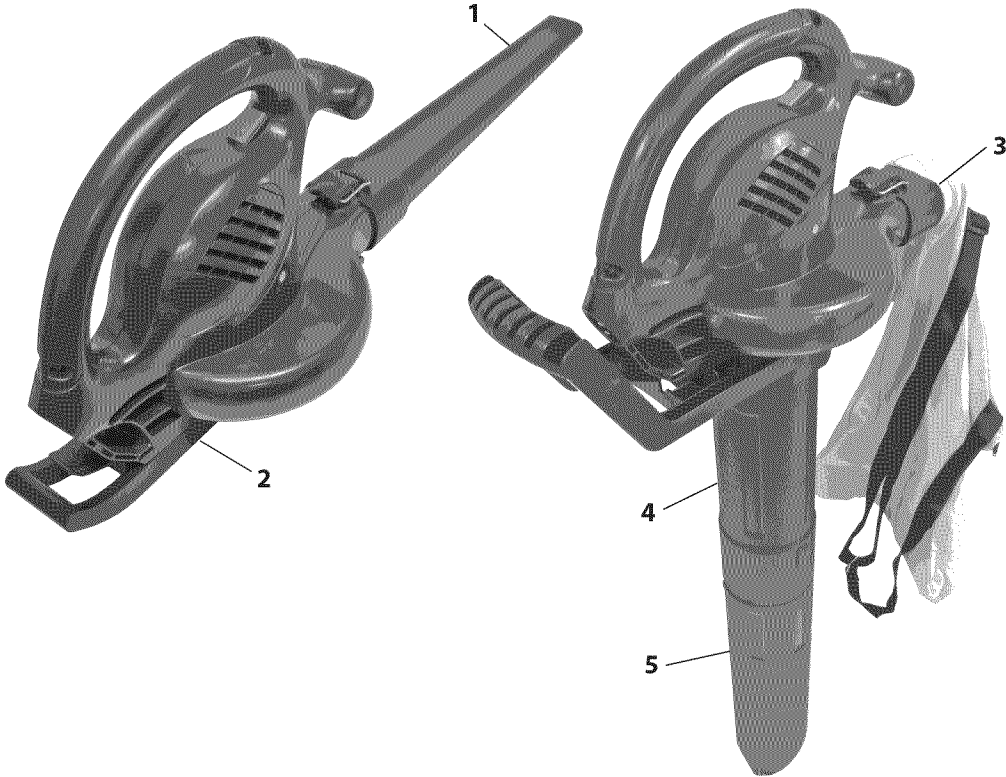
- Your Name
- Your Address
- Your Phone Number
- Model Number of Product
- Date of Purchase (include copy of receipt for written requests)

# 7 replacement parts

## Replacement Parts

Use the part numbers below to order replacement parts for your blower/vac.

Item	Description	Part Number
1	Blower Tube	120473-01
2	Bottom Inlet Cover	120474-01
3	Vacuum Bag with Adapter	120475-01
4	Upper Vacuum Tube with Adapter	120476-01
5	Lower Vacuum Tube	118069-01



## 8 warranty information

### REMINGTON BRAND ELECTRIC BLOWER/VAC LIMITED WARRANTIES

#### NEW PRODUCTS

##### **Standard Warranty**

DESA Power Tools warrants this new product and any parts thereof to be free from defects in material and workmanship for a period of two (2) years from the date of first purchase from an authorized dealer provided the product has been maintained and operated in accordance with DESA Power Tools' warnings and instructions.

#### FACTORY RECONDITIONED PRODUCTS

##### **Limited Warranty**

DESA Power Tools warrants factory reconditioned products and any parts thereof to be free from defects in material and workmanship for 90 days from the date of first purchase from an authorized dealer provided the product has been installed, maintained and operated in accordance with DESA Power Tools' warnings and instructions.

#### TERMS COMMON TO ALL WARRANTIES

The following terms apply to all of the above warranties:

- Always specify model number when contacting the manufacturer. To make a claim under this warranty the bill of sale or other proof of purchase must be presented.
- This warranty is extended only to the original retail purchaser when purchased from an authorized dealer.
- This warranty covers the cost of part(s) required to restore this product to proper operating condition and an allowance for labor when provided by a DESA Power Tools Authorized Service Center. Warranty parts must be obtained through authorized dealers of this product and/or DESA Power Tools who will provide original factory replacement parts. Failure to use original factory replacement parts voids this warranty.
- Travel, handling, transportation, diagnostic, material, labor and incidental costs associated with warranty repairs, unless expressly covered by this warranty, are not reimbursable under this warranty and are the responsibility of the owner.
- Excluded from this warranty are products or parts that fail or become damaged due to misuse, accidents, lack of proper maintenance, tampering, or alterations.
- Excluded from this warranty are products purchased for commercial, industrial or rental usage.
- This is DESA Power Tools' exclusive warranty, and to the full extent allowed by law; this express warranty excludes any and all other warranties, express or implied, written or verbal and limits the duration of any and all implied warranties, including warranties of merchantability and fitness for a particular purpose to two (2) years on new products and 90 days on factory reconditioned products from the date of first purchase. DESA Power Tools makes no other warranties regarding this product.
- DESA Power Tools' liability is limited to the purchase price of the product, and DESA Power Tools shall not be liable for any other damages whatsoever under any circumstances including indirect, incidental, or consequential damages.
- Some states do not allow limitations on how long an implied warranty lasts or the exclusion or limitation of incidental or consequential damages, so the above limitation or exclusion may not apply to you.
- This warranty gives you specific legal rights, and you may also have other rights which vary from state to state.

For information about this warranty contact:



P.O. Box 90004  
Bowling Green, KY 42102-9004  
www.desatech.com

Model _____
Date Purchased _____