

Operator's Manual

CRAFTSMAN®

4-Cycle

Electric Start Capable

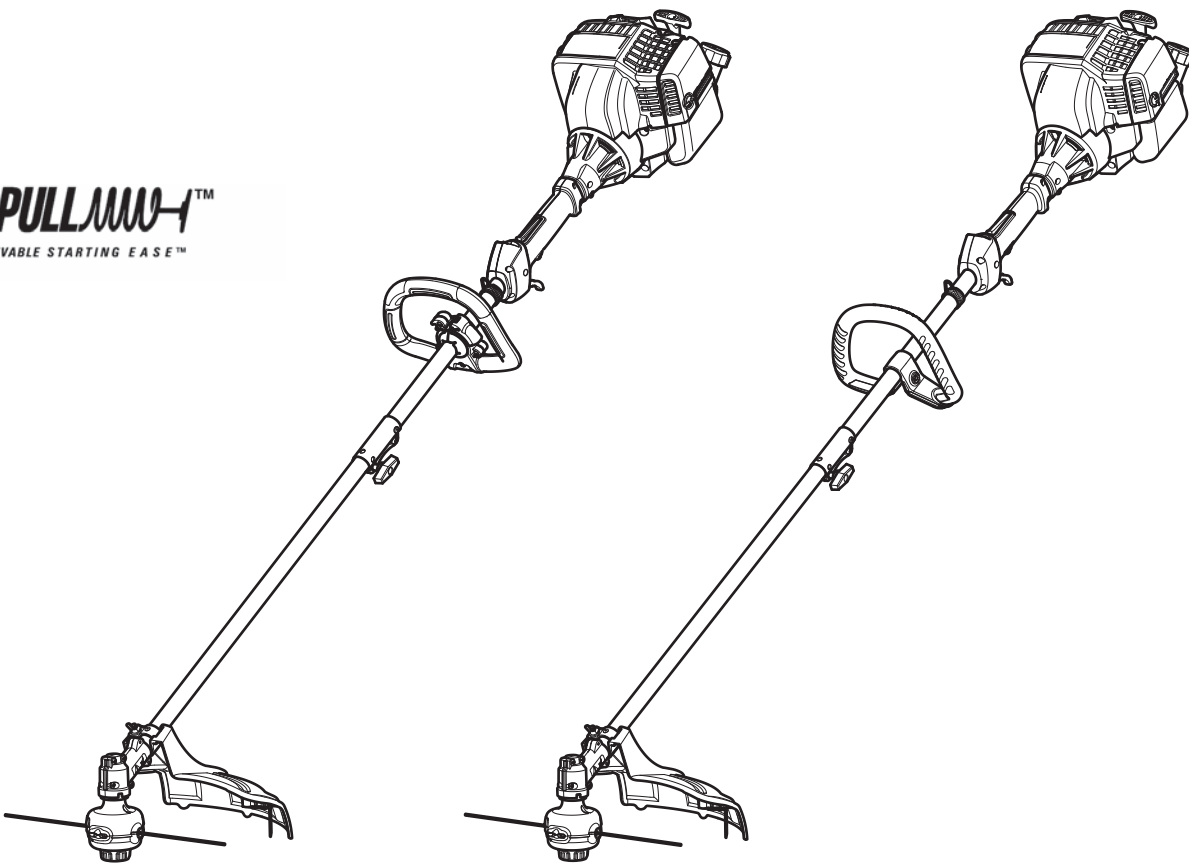
WEEDWACKER® GAS TRIMMERS

Model Nos. 316.74093* & 316.74097*

*The last digit of the model number varies.



INCREDI-PULL™
UNBELIEVABLE STARTING EASE™



CAUTION: Before using this product, read this manual and follow all its Safety Rules and Operating Instructions.

- SAFETY
- ASSEMBLY
- OPERATION
- MAINTENANCE
- ESPAÑOL, P. 25

Sears Brands Management Corporation, Hoffman Estates, IL 60179 U.S.A.

Visit our website: www.craftsman.com

TABLE OF CONTENTS

Safety	2
Know Your Unit	6
Specifications	7
Assembly	8
Oil and Fuel	13
Starting and Stopping	14
Operation	16
Maintenance	18
Cleaning and Storage	23
Troubleshooting	24
Warranty	*
Repair Protection Agreements	*
Service Numbers	*

* For Warranty, Repair Protection Agreements, and Service Number information, please refer to the separate *Warranty / Service Supplement*.

NOTE: This operator's manual covers multiple models. Features may vary by model. Not all features in this manual are applicable to all models. The model depicted may differ from yours.

All information, illustrations and specifications in this manual are based on the latest product information available at the time of printing. We reserve the right to make changes at any time without notice.

© Sears Brands, LLC

SAFETY

The purpose of safety symbols is to attract your attention to possible dangers. The safety symbols, and their explanations, deserve your careful attention and understanding. The safety warnings do not by themselves eliminate any danger. The instructions or warnings they give are not substitutes for proper accident prevention measures.

SYMBOL MEANING

 **DANGER:** Signals an EXTREME hazard. Failure to obey a safety **DANGER** symbol **WILL** result in serious injury or death to yourself or to others.


 **WARNING:** Signals a SERIOUS hazard. Failure to obey a safety **WARNING** symbol **CAN** result in serious injury to yourself or to others.

 **CAUTION:** Signals a MODERATE hazard. Failure to obey a safety **CAUTION** symbol **MAY** result in property damage or injury to yourself or to others.

NOTE: Advises you of information or instructions vital to the operation or maintenance of the equipment.

SPARK ARRESTOR NOTE

NOTE: For users on U.S. Forest Land and in the states of California, Maine, Oregon and Washington. All U.S. Forest Land and the state of California (Public Resources Codes 4442 and 4443), Oregon and Washington require, by law that certain internal combustion engines operated on forest brush and/or grass-covered areas be equipped with a spark arrestor, maintained in effective working order, or the engine be constructed, equipped and maintained for the prevention of fire. Check with your state or local authorities for regulations pertaining to these requirements. Failure to follow these requirements could subject you to liability or a fine. **This unit is factory equipped with a spark arrestor.** If it requires replacement, contact a Sears Parts & Repair Service Center to install the appropriate muffler assembly.

 **CALIFORNIA PROPOSITION 65**
WARNING: This product contains a chemical known to the state of California to cause cancer, birth defects or other reproductive harm.

Read the operator's manual and follow all warnings and safety instructions. Failure to do so can result in serious injury to the operator and/or bystanders.

• IMPORTANT SAFETY INSTRUCTIONS •

READ ALL INSTRUCTIONS BEFORE OPERATING



WARNING: When using the unit, all safety instructions must be followed. Please read these instructions before operating the unit in order to ensure the safety of the operator and any bystanders. Please keep these instructions for later use.

- Read the instructions carefully. Be familiar with the controls and proper use of the unit. Know how to stop the unit and disengage the controls quickly.
- Stay alert. Do not operate this unit when tired, ill or under the influence of alcohol, drugs or medication.
- Never allow children to operate the unit. Teens must be trained, accompanied and supervised by an adult. Never allow adults to operate the unit without proper instruction.
- All guards and safety attachments must be installed properly before operating the unit.
- Inspect the unit before use. Check for damaged parts. Check for fuel leaks. Make sure all parts operate properly. Make sure all fasteners are in place and secure. Make sure all moving parts are properly aligned and are not bound. Replace parts that are cracked, chipped, or damaged in any way. Have all damaged or improperly working parts repaired or replaced by an authorized service center. Do not operate the unit with loose or damaged parts.
- Only use the trimming line described in the *Specifications* section of this manual. Never use metal-reinforced line, wire, chain or rope. These can break off and become dangerous projectiles.
- Do not replace the cutting head with rigid or metal blades. Doing so could result in serious injury.
- Be aware of risk of injury to the head, hands and feet.
- Carefully inspect the area before starting the unit. Remove rocks, broken glass, nails, wire, string and other objects that may be thrown or become entangled with the unit.
- Clear the area of children, bystanders and pets; keep them outside a 50-foot (15 m) radius, at a minimum. Even then, they are still at risk from thrown objects. Encourage bystanders to wear eye protection. If you are approached, stop the unit immediately.
- Squeeze the throttle control and check that it returns automatically to the idle position. Make all adjustments or repairs before using the unit.
- Do not change the engine governor settings or overspeed the engine.
- This unit is intended for occasional, household use only.

SAFETY WARNINGS FOR GAS UNITS



WARNING: Gasoline is highly flammable and its vapors can explode if ignited. Take the following precautions:

- Store fuel only in containers specifically designed and approved for the storage of such materials.
- Always stop the engine and allow it to cool before filling the tank. Never remove the fuel tank cap or add fuel when the engine is hot. Always loosen the fuel tank cap slowly to relieve any pressure in the tank before fueling.
- Always add fuel in a clean, well-ventilated outdoor area where there are no sparks or flames. DO NOT smoke.
- Never operate the unit without the fuel cap securely in place.
- Avoid creating a source of ignition for spilled fuel. Wipe up any spilled fuel from the unit immediately, before starting the unit. Move the unit at least 30 ft. (9.1 m) from the fueling source and site before starting the engine. DO NOT smoke.
- Never start or run the unit inside a closed room or building. Breathing exhaust fumes can kill. Operate this unit only in a well-ventilated outdoor area.

WHILE OPERATING

- Wear safety glasses or goggles that meet current ANSI / ISEA Z87.1 standards and are marked as such. Wear ear/hearing protection when operating this unit. Wear a face mask or dust mask if the operation is dusty.
- Wear heavy long pants, boots, gloves and a long sleeve shirt. Do not wear loose clothing, jewelry, short pants, sandals or go barefoot. Secure hair above shoulder level.
- The cutting head shield must always be in place while operating the unit. Do not operate the unit without both trimming lines extended and the proper line installed. Do not extend the trimming line beyond the length of the shield.
- The cutting head should remain stationary when the engine idles. If it does not, refer to *Adjusting the Idle Speed*.
- Adjust the handle to provide the best grip, if applicable.
- Make sure the cutting head is not in contact with anything before starting the unit.
- Use the unit only in daylight or good artificial light.
- Avoid accidental starting. Be in the starting position whenever pulling the starter rope. The operator and unit must be in a stable position while starting. Refer to *Starting and Stopping*.
- Use the right tool. Only use this tool for its intended purpose. Only use the unit as described in this manual.
- Always hold the unit with both hands when operating. Keep a firm grip on both handles or grips.
- Do not overreach. Always keep proper footing and balance. Take extra care when working on stairs, steep slopes or inclines. To avoid serious injury, do not operate the unit while on a ladder or a roof.
- Keep hands, face, and feet away from all moving parts. Do not touch or try to stop moving parts.
- Do not touch the engine, gear housing or muffler. These parts get extremely hot from operation, even after the unit is turned off.
- Do not operate the unit faster than the speed needed to do the job. Do not run the unit at high speed when not in use.
- Do not force the unit. It will do a better, safer job when used at the intended rate.

- Always turn the unit off when operation is delayed or when carrying the unit from one location to another. Make sure all moving parts come to a complete stop.
- Before setting the unit down, always make sure the engine is off and all moving parts have stopped.
- If the unit strikes or becomes entangled with a foreign object, stop the unit immediately. Check for damage. If damaged, do not restart or operate the unit until it is repaired. Do not operate the unit with loose or damaged parts.
- Turn the engine off and disconnect the spark plug for maintenance or repair.
- Use only original equipment manufacturer (OEM) replacement parts and accessories for this unit. Use of any other parts or accessories could lead to serious injury to the user, or damage to the unit, and void the warranty.
- Keep the unit clean. Carefully remove vegetation and other debris that could block moving parts.
- To reduce fire hazard, replace a faulty muffler and spark arrestor. Keep the engine and muffler free from grass, leaves, excessive grease or carbon build up.
- If the unit starts to vibrate abnormally, stop the unit immediately. Inspect the unit for the cause of the vibration. Vibration is generally an indicator of trouble.










OTHER SAFETY WARNINGS









- Maintain the unit with care. Follow all maintenance instructions in this manual.
- Do not perform maintenance procedures other than those described in this manual. All service, other than the maintenance procedures described in this manual, should be performed by a Sears or other qualified service dealer.
- Never remove, modify or make inoperative any safety device furnished with the unit.
- Before inspecting, maintaining, cleaning, storing, transporting or replacing any parts on the unit:
 1. Stop the unit. Refer to *Starting and Stopping*.
 2. Make sure all moving parts have stopped.
 3. Allow the unit to cool.
 4. Disconnect the spark plug wire.
- Secure the unit while transporting.
- Never store the unit with fuel in the tank, inside a building where fumes may reach an open flame (pilot lights, etc.) or sparks (switches, electrical motors, etc.).
- Store the unit in a dry place, secured or at a height to prevent unauthorized use or damage. Keep the unit out of the reach of children.
- Never douse or squirt the unit with water or any other liquid. Keep handles dry and clean (free from debris, oil and grease). Clean the unit after each use. Refer to *Cleaning and Storage*. Do not use solvents or strong detergents.
- Keep these instructions. Refer to them often and use them to instruct other users. If you loan this unit to others, also loan them these instructions.

SAVE THESE INSTRUCTIONS

• SAFETY & INTERNATIONAL SYMBOLS •

This operator's manual describes safety and international symbols and pictographs that may appear on this product. Read the operator's manual for complete safety, assembly, operating and maintenance and repair information.

SYMBOL	MEANING
	<ul style="list-style-type: none"> • SAFETY ALERT SYMBOL <p>Indicates danger, warning or caution. May be used in conjunction with other symbols or pictographs.</p>
	<ul style="list-style-type: none"> • READ OPERATOR'S MANUAL <p>WARNING: Read the operator's manual(s) and follow all warnings and safety instructions. Failure to do so can result in serious injury to the operator and/or bystanders.</p>
	<ul style="list-style-type: none"> • WEAR EYE AND HEARING PROTECTION <p>WARNING: Thrown objects and loud noise can cause severe eye injury and hearing loss. Wear eye protection meeting current ANSI / ISEA Z87.1 standards and ear protection when operating this unit. Use a full face shield when needed.</p>
	<ul style="list-style-type: none"> • WEAR FOOT PROTECTION <p>Always wear heavy-duty, non-slip footwear when operating this unit.</p>
	<ul style="list-style-type: none"> • WEAR HAND PROTECTION <p>Always wear heavy-duty, non-slip gloves when handling this unit.</p>
	<ul style="list-style-type: none"> • HANDLE POSITION <p>Make sure the handle is positioned beyond the end of the safety label.</p>
	<ul style="list-style-type: none"> • UNLEADED FUEL <p>Always use clean, fresh unleaded fuel.</p>
	<ul style="list-style-type: none"> • OIL <p>Refer to operator's manual for the proper type of oil.</p>
	<ul style="list-style-type: none"> • DO NOT USE E85 FUEL IN THIS UNIT <p>WARNING: It has been proven that fuel containing greater than 10% ethanol will likely damage this engine and void the warranty.</p>

SYMBOL	MEANING
	<ul style="list-style-type: none"> • ON/OFF STOP CONTROL <p>ON / START / RUN</p>
	<ul style="list-style-type: none"> • ON/OFF STOP CONTROL <p>OFF or STOP</p>
	<ul style="list-style-type: none"> • PRIMER BULB <p>Push primer bulb, fully and slowly, 10 times.</p>
	<ul style="list-style-type: none"> • THROWN OBJECTS CAN CAUSE SEVERE INJURY <p>WARNING: Small objects can be propelled at high speed, causing injury.</p>
	<ul style="list-style-type: none"> • KEEP BYSTANDERS AWAY <p>WARNING: Keep all bystanders, especially children and pets, at least 50 feet (15 m) from the operating area.</p>
	<ul style="list-style-type: none"> • HOT SURFACE <p>WARNING: Do not touch a hot muffler or cylinder. You may get burned. These parts get extremely hot from operation. When turned off, they remain hot for a short time.</p>
	<ul style="list-style-type: none"> • SHARP BLADE <p>WARNING: There is a sharp blade on the cutting head shield. To prevent serious injury, do not touch the line cutting blade.</p>
	<ul style="list-style-type: none"> • DO NOT USE METAL BLADES <p>WARNING: To prevent serious injury, do not replace the cutting head with rigid or metal blades.</p>

KNOW YOUR UNIT

Model No. 316.74093*

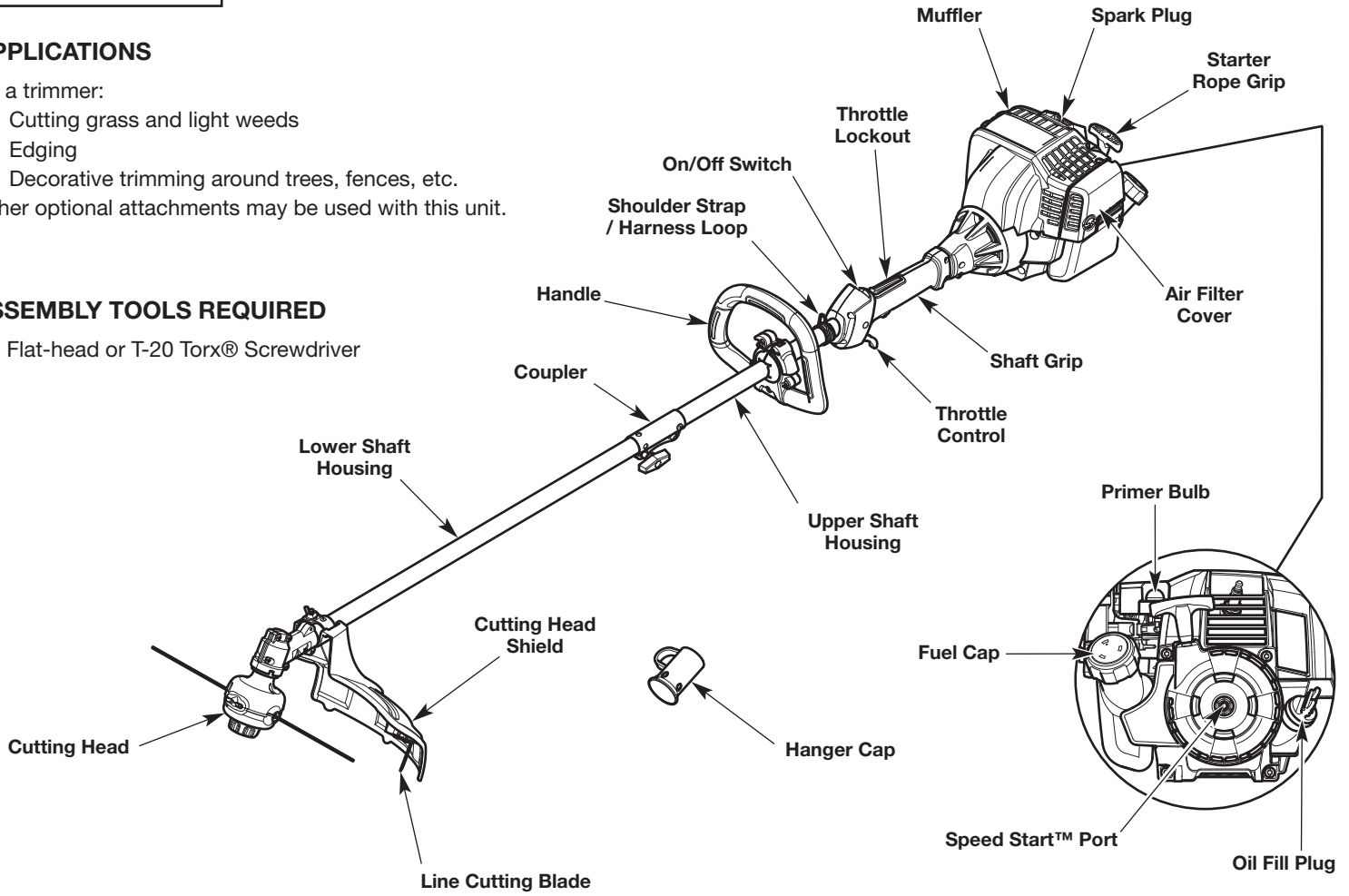
APPLICATIONS

As a trimmer:

- Cutting grass and light weeds
 - Edging
 - Decorative trimming around trees, fences, etc.
- Other optional attachments may be used with this unit.

ASSEMBLY TOOLS REQUIRED

- Flat-head or T-20 Torx® Screwdriver



Model No. 316.74097*

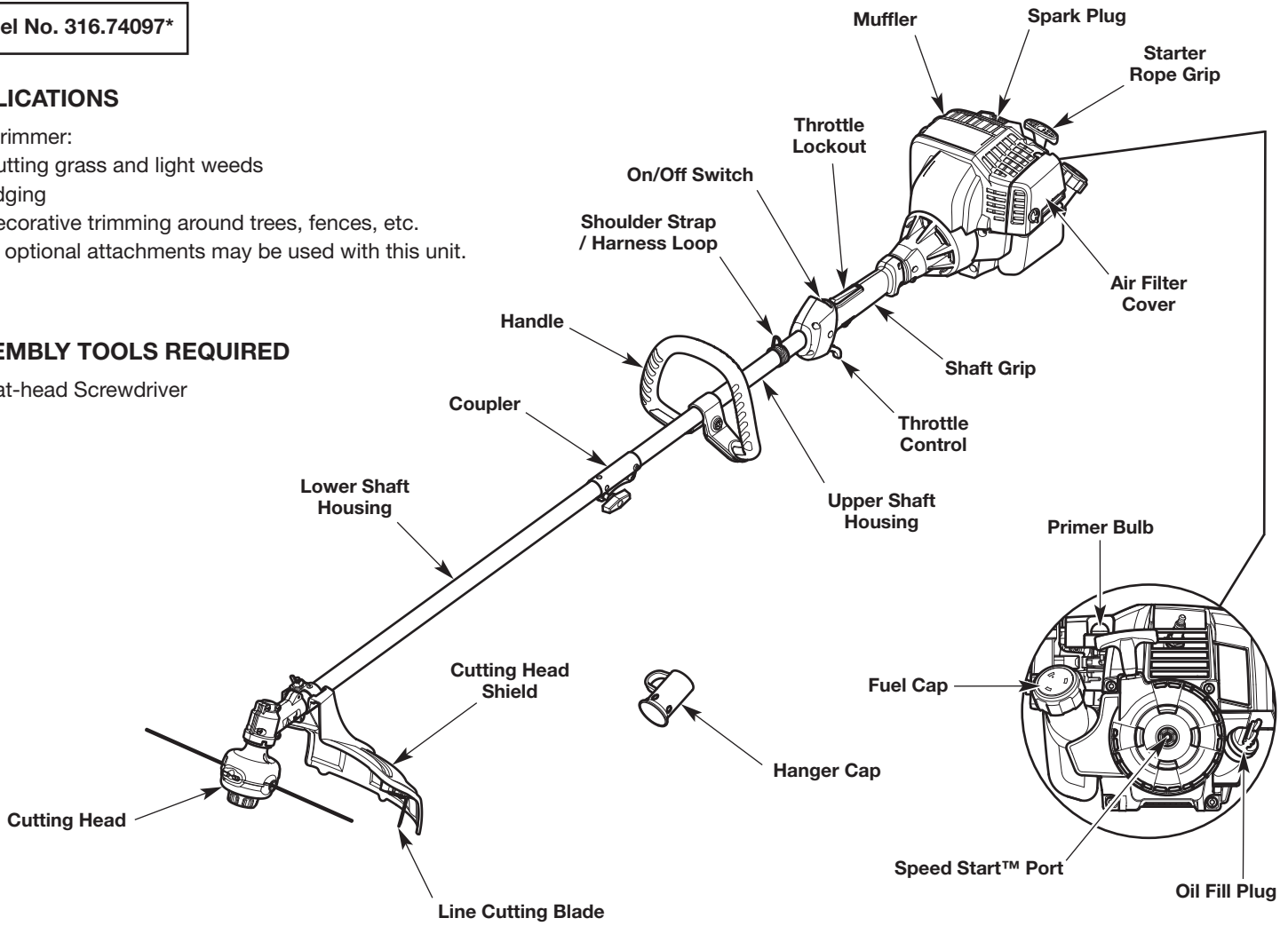
APPLICATIONS

As a trimmer:

- Cutting grass and light weeds
 - Edging
 - Decorative trimming around trees, fences, etc.
- Other optional attachments may be used with this unit.

ASSEMBLY TOOLS REQUIRED

- Flat-head Screwdriver



SPECIFICATIONS

Engine Type	Air-Cooled, 4-Cycle
Displacement (Model No. 316.74093*)	32 cc (1.95 cu. in.)
Displacement (Model No. 316.74097*)	30 cc (1.83 cu. in.)
Spark Plug Gap	0.025 in. (0.635 mm)
Spark Plug	Champion® RDZ4H or equivalent plug
Lubrication	SAE 30 Oil
Crankcase Oil Capacity	2.37 oz. (70 ml)
Fuel Tank Capacity	12 oz. (355 ml)
Approximate Unit Weight (No fuel)	13.5 - 14.5 lbs. (6.1 - 6.6 kg)
Trimmer Mechanism	Bump Head or Fixed-Line Cutting Head
Trimming Line (Fixed-Line Cutting Head)	Hassle Free™ XTRA QUIET Spiral Line
Trimming Line Diameter (Bump Head)	0.095 in. (2.41 mm)
Trimming Line Diameter (Fixed-Line Cutting Head)	0.110 in. (2.79 mm) Medium or 0.130 in. (3.30 mm) Large
Cutting Path Diameter	18 in. (45.7 cm)

All specifications are based on the latest product information available at the time of printing. We reserve the right to make changes at any time without notice.



INSTALLING THE CUTTING HEAD SHIELD



WARNING: To prevent serious personal injury, never operate the unit without the cutting head shield in place.

1. Remove the wing nut and washer from the cutting head shield.
2. Insert the short tab (the one without a hole) on the mount bracket into the slot on the cutting head shield (Fig. 1).
3. Rotate the cutting head shield until the bolt on the cutting head shield protrudes through the hole on the mount bracket (Fig. 1).
4. Place the washer onto the bolt (Fig. 2).
5. Screw the wing nut onto the bolt until the cutting head shield is firmly in place (Fig. 2).

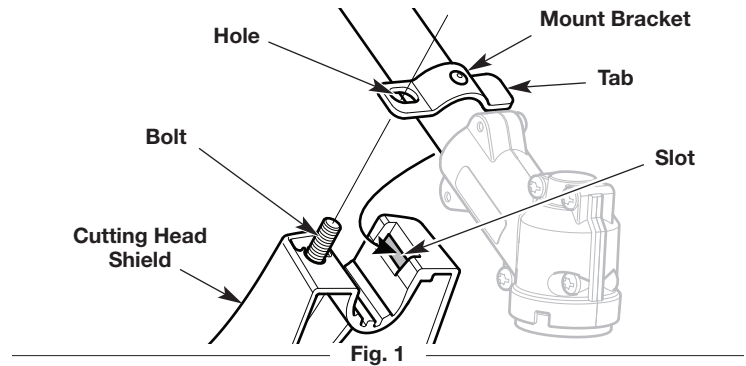


Fig. 1

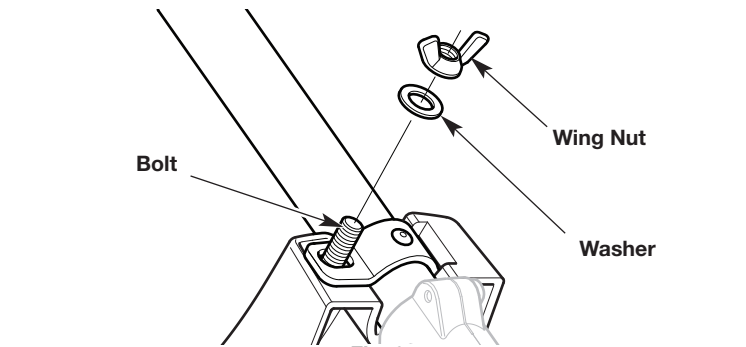


Fig. 2

INSTALLING AND ADJUSTING THE HANDLE

MODEL NO. 316.74093*

Installing the Handle

1. Place a ball half on each side of the upper shaft housing (Fig. 3). Align each tab with its corresponding slot on the opposite ball half (Fig. 3). Hold the two halves together. Make sure the ball is positioned beyond the end of the safety label (Fig. 3).
2. Carefully push the rear handle bracket onto the upper shaft housing (Fig. 4). Make sure the rear handle bracket is between the ball and the shaft grip (Fig. 4).
3. Push the rear handle bracket onto the back of the ball and hold it in place (Fig. 5).
4. Carefully maneuver the front handle bracket over the coupler and push it onto the front of the ball (Fig. 5). Hold the front and rear handle brackets together.
5. Insert a nut into one of the hexagonal recesses in the back of the rear handle bracket (Fig. 6). Make sure the round side of the nut faces outward. Hold the nut in place with a finger. Insert a bolt into the corresponding hole in the front handle bracket (Fig. 6). Tighten the bolt with a flat-head or T20 Torx® screwdriver. Repeat this step until all four (4) bolts are securely installed.
6. Push the latch pin completely into the small hook on the handle (Fig. 7). Lift the latch lever up and push it toward the large hook (Fig. 7). Push the latch loop over the large hook (Fig. 7).
7. Hold the unit in the operating position (Fig. 21). Move the handle up or down the upper shaft housing to a comfortable location (Fig. 8). Make sure the handle is positioned beyond the end of the safety label (Fig. 8).

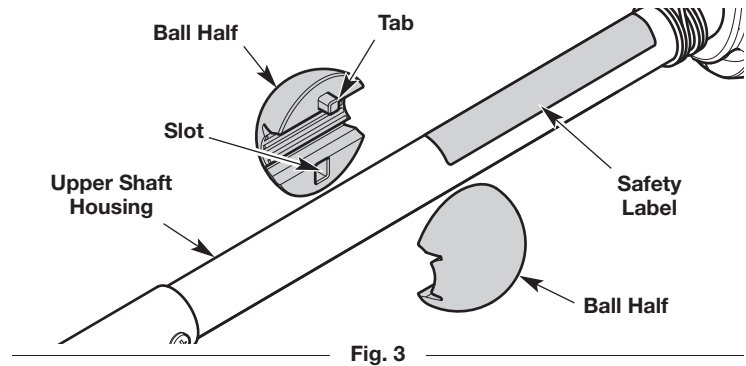


Fig. 3

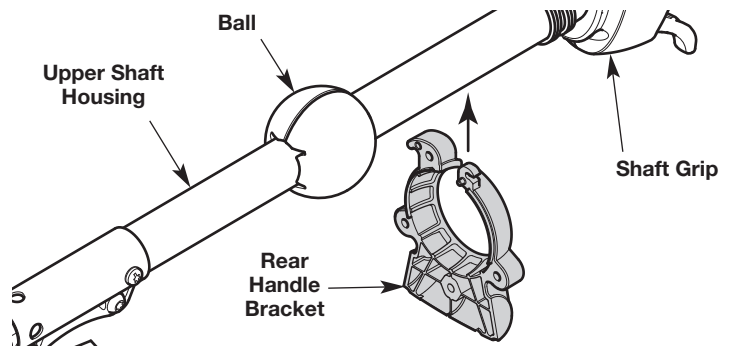


Fig. 4

8. Tilt the handle to the desired position.
9. Flip the latch lever down to secure the handle.

Adjusting the Handle

If the handle requires adjustment:

1. Flip the latch lever up to loosen the handle (Fig. 8).
2. Hold the unit in the operating position (Fig. 21). Move the handle up or down the upper shaft housing to a comfortable location (Fig. 8). Make sure the handle is positioned beyond the end of the safety label (Fig. 8).
3. Tilt the handle to the desired position.
4. Flip the latch lever down to secure the handle.

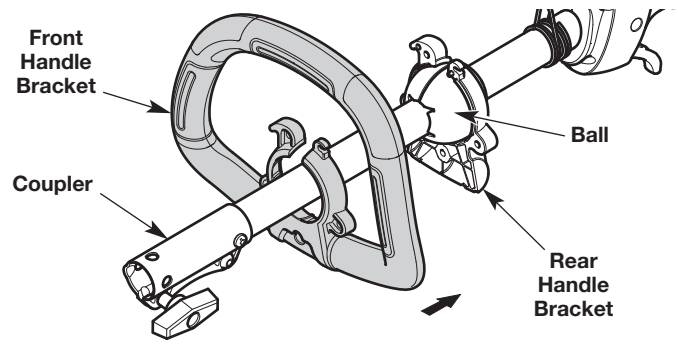


Fig. 5

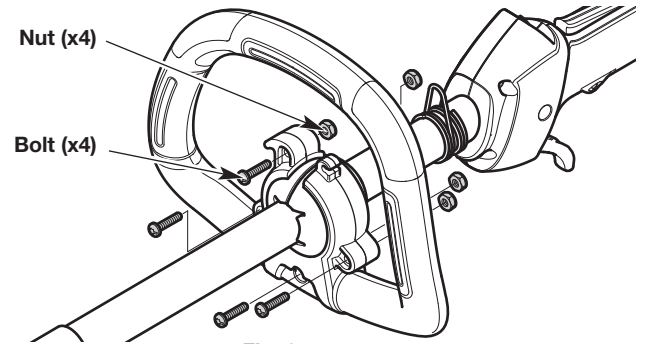


Fig. 6

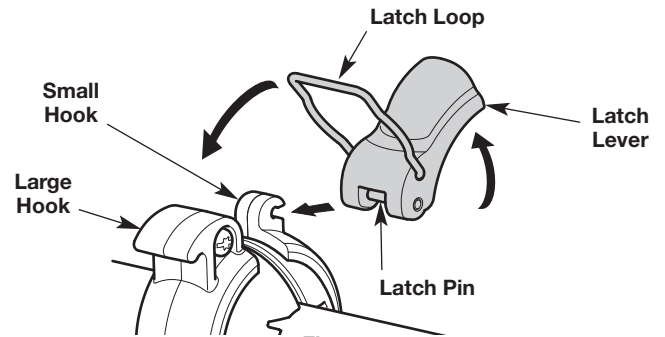


Fig. 7

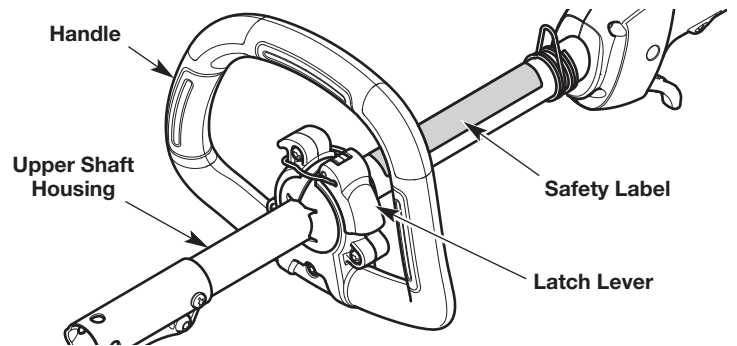


Fig. 8

INSTALLING AND ADJUSTING THE HANDLE

MODEL NO. 316.74097*

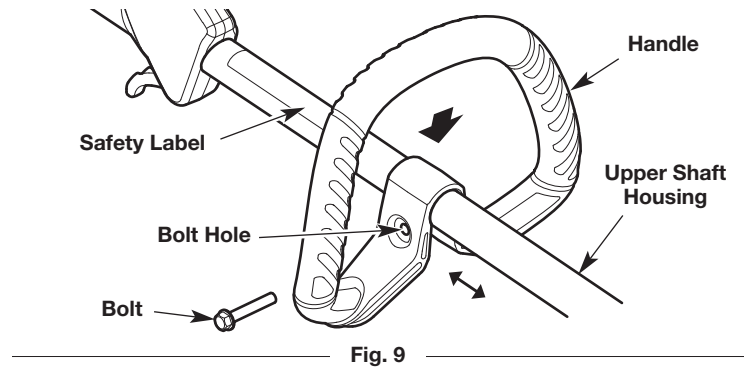
Installing the Handle

1. Push the handle down onto the upper shaft housing (Fig. 9). Make sure the bolt hole faces to the right (Fig. 9).
2. Insert the bolt into the bolt hole and push it through (Fig. 9). Tighten the bolt with a flat-head screwdriver, but do not tighten the bolt completely.
3. Hold the unit in the operating position (Fig. 21). Move the handle up or down the upper shaft housing to a comfortable location (Fig. 9). Make sure the handle is positioned beyond the end of the safety label (Fig. 9).
4. Tighten the bolt with a flat-head screwdriver until the handle is secure.

Adjusting the Handle

If the handle requires adjustment:

1. Loosen the bolt with a flat-head screwdriver (Fig. 9).
2. Hold the unit in the operating position (Fig. 21). Move the handle up or down the upper shaft housing to a comfortable location (Fig. 9). Make sure the handle is positioned beyond the end of the safety label (Fig. 9).
3. Tighten the bolt with a flat-head screwdriver until the handle is secure.



INSTALLING AND REMOVING THE ATTACHMENT

The coupler enables the use of various optional attachments.



WARNING: Before using any attachment, read and understand the manual that came with the attachment. Follow all safety information contained within.



WARNING: To avoid serious personal injury and damage to the unit, shut the unit off before removing or installing an attachment.

Installing the Attachment

1. Remove the hanger cap from the attachment. Keep the hanger cap for use when storing the attachment. If present, remove the gray spacer from the coupler.
2. Set the unit on a flat, level surface.
3. Turn the knob counterclockwise to loosen the coupler (Fig. 10).
4. Align the release button with the guide recess (Fig. 12).
5. Push the attachment straight into the coupler (Fig. 11) until the release button snaps firmly into the primary hole (Fig. 12).
6. Turn the knob clockwise to tighten the coupler (Fig. 10).



WARNING: Before operating the unit, make sure the release button is fully snapped into the primary hole and the knob is securely tightened.



WARNING: Unless specified otherwise, the release button should be snapped into the primary hole only. Using the wrong hole could lead to personal injury or damage to the unit.

Removing the Attachment

1. Set the unit on a flat, level surface.
2. Turn the knob counterclockwise to loosen the coupler (Fig. 10).
3. Press and hold the release button (Fig. 12).
4. Pull the attachment straight out of the coupler (Fig. 11).

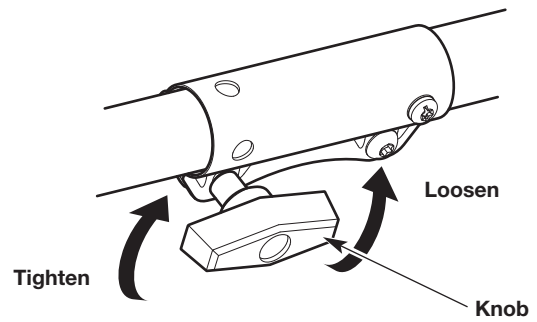


Fig. 10

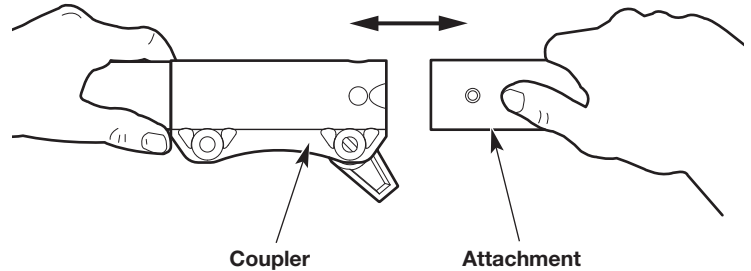


Fig. 11

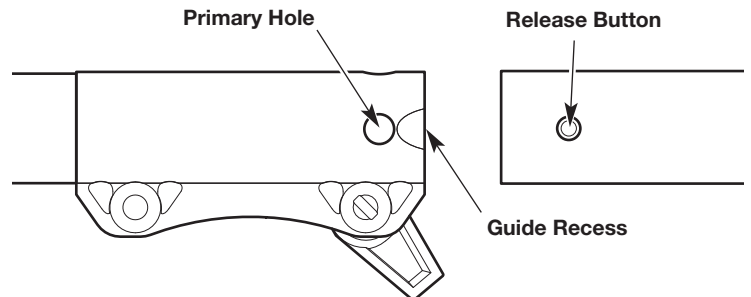


Fig. 12

INSTALLING THE SHOULDER STRAP (OPTIONAL)

1. Push the strap up through the center slot in the buckle (Fig. 13).
2. Bend the strap over and push it down through the lower slot in the buckle (Fig. 13).
3. Put the shoulder strap over the operator's head and onto the left shoulder.
4. Start the unit. Refer to *Starting and Stopping*.
5. Snap the clip onto the shoulder strap / harness loop (Fig. 14).
6. Adjust the shoulder strap to fit the operator (Fig. 15). Pull the buckle up to loosen the shoulder strap. Pull the strap down to tighten the shoulder strap.

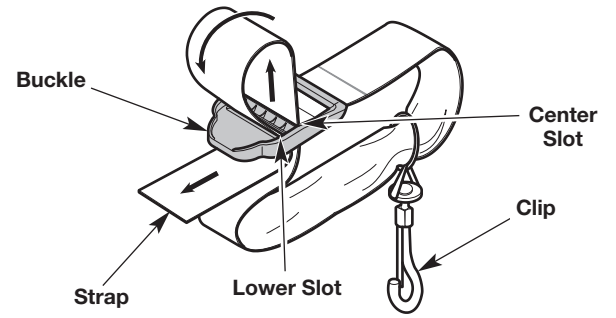


Fig. 13

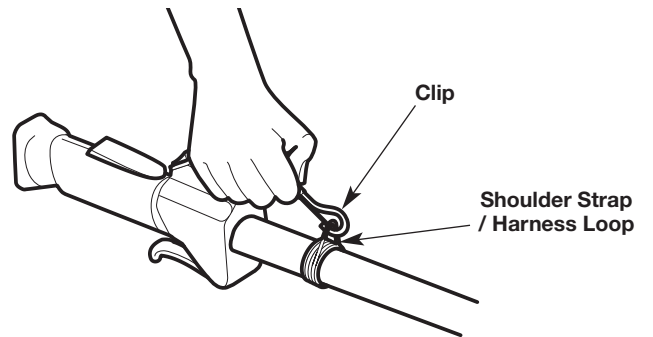


Fig. 14

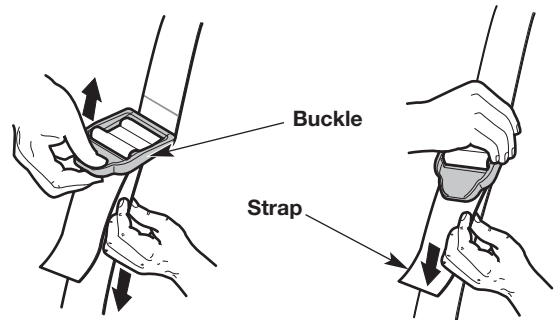


Fig. 15

USING THE RIGHT OIL

Use a high-quality SAE 30 weight oil. **DO NOT** use dirty oil. Failure to use clean oil of the correct type can cause premature engine wear and failure.

ADDING OIL: INITIAL USE



WARNING: OVERFILLING THE CRANKCASE MAY CAUSE SERIOUS PERSONAL INJURY. Check the oil level before each use. The importance of maintaining the proper oil level cannot be overemphasized. Change the oil according to the *Maintenance Schedule*.

NOTE: This unit was shipped without oil in the crankcase. Oil must be added before starting the unit.

NOTE: This unit comes with a 2.37 fluid oz. (70 ml) container of oil.

1. **Set the unit on a flat, level surface.**
2. Unscrew the oil fill plug (Fig. 16).
3. Pour the entire container of oil into the oil fill hole (Fig. 16). **DO NOT** overfill. Refer to *Checking the Oil Level*.

NOTE: Never add oil to the fuel tank. This unit has a four-cycle engine. **DO NOT** mix oil with gasoline.

4. Wipe up any oil that may have spilled.
5. Make sure the O-ring is in place on the oil fill plug (Fig. 16).
6. Reinstall the oil fill plug.

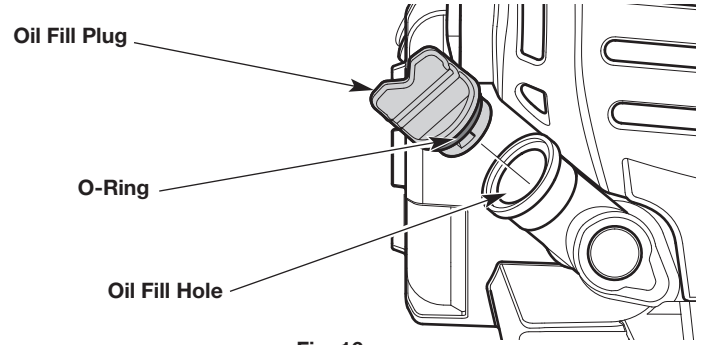


Fig. 16

USING THE RIGHT FUEL

The use of old fuel is the most common cause of performance problems. Use only fresh, clean unleaded gasoline.

NOTE: This unit has a four-cycle engine. **DO NOT** mix oil with gasoline.

Definition of Blended Fuels

Today's fuels are often a blend of gasoline and oxygenates such as ethanol, methanol or MTBE (ether). Alcohol-blended fuel absorbs water. As little as 1% water in the fuel can make fuel and oil separate, forming acids when stored. **ALWAYS** use fresh fuel (less than 30 days old).

NOTE: Dispose of old fuel according to federal, state and local regulations.

Using Blended Fuels

If using a blended fuel:

- Always use fresh unleaded gasoline
- Use the fuel additive STA-BIL® or an equivalent



CAUTION: DO NOT USE E85 FUEL IN THIS UNIT. It has been proven that fuel containing greater than 10% ethanol will likely damage this engine and void the warranty.

Using Fuel Additives

Use a fuel additive, such as STA-BIL Fuel Stabilizer or an equivalent, to inhibit corrosion and minimize gum deposits. Add 0.8 oz. (23 ml) of fuel additive per gallon of fuel, according to the instructions on the container. **NEVER** add fuel additives directly to the unit's fuel tank.

FUELING THE UNIT



WARNING: Gasoline is extremely flammable. Ignited vapors may explode. Always stop the engine and allow it to cool before filling the fuel tank. Do not smoke while filling the tank. Keep sparks and open flames at a distance from the area.



WARNING: Remove the fuel cap slowly to avoid injury from fuel spray. Never operate the unit without the fuel cap securely in place.



WARNING: Add fuel in a clean, well-ventilated outdoor area. Wipe up any spilled fuel immediately. Avoid creating a source of ignition for spilled fuel. Do not start the engine until fuel vapors dissipate.

1. Position the unit with the fuel cap facing up.
2. Slowly remove the fuel cap.
3. Place the fuel container spout into the fuel tank fill hole and fill the tank.

NOTE: Do not overfill the tank.

4. Wipe up any fuel that may have spilled.
5. Reinstall the fuel cap.
6. Move the unit at least 30 ft. (9.1 m) from the fuel container and the fueling site before starting the engine.

STARTING AND STOPPING



WARNING: Operate this unit only in a well-ventilated outdoor area. Carbon monoxide exhaust fumes can be lethal in a confined area.



WARNING: Avoid accidentally starting the unit. To avoid serious injury, the operator and the unit must be in a stable position when pulling the starter rope (Fig. 19).

STARTING INSTRUCTIONS

1. Check the oil level. Refer to *Checking the Oil Level*.
2. Fill the fuel tank. Refer to *Fueling the Unit*.

NOTE: There is no need to turn the unit on. The On/Off switch is in the **On (I)** position at all times (Fig. 17).

3. Slowly press and release the primer bulb **10 times** (Fig. 18).
4. Crouch in the starting position (Fig. 19).

NOTE: **PRESS** and **HOLD** the throttle lockout, then **SQUEEZE** and **HOLD** the throttle control for **ALL** further steps.

NOTE: To prevent the throttle control from being squeezed accidentally, this unit has a throttle lockout. The throttle control cannot be squeezed unless the throttle lockout is also engaged.

5. Press and hold the throttle lockout. Squeeze and hold the throttle control (Fig. 17). Pull the starter rope with a controlled and steady motion **5 times** to start the engine (Fig. 19).

NOTE: This unit uses the **INCREDI-PULL™** starting system, which significantly reduces the effort required to start the engine.

6. Install the shoulder strap (optional). Refer to *Installing the Shoulder Strap*.

IF... the engine does not start, begin the starting procedure with step 3.

IF... the engine fails to start after 3 attempts: Press and hold the throttle lockout. Squeeze and hold the throttle control. Pull the starter rope with a controlled and steady motion until the unit starts.

IF... the engine stops while the throttle control is squeezed, begin the starting procedure with step 3.

IF THE ENGINE IS HOT... begin the starting procedure with step 3.

STOPPING INSTRUCTIONS

1. Release the throttle control and allow the engine to idle.
2. Press and hold the On/Off switch in the **Off (O)** position until the engine comes to a complete stop (Fig. 17).

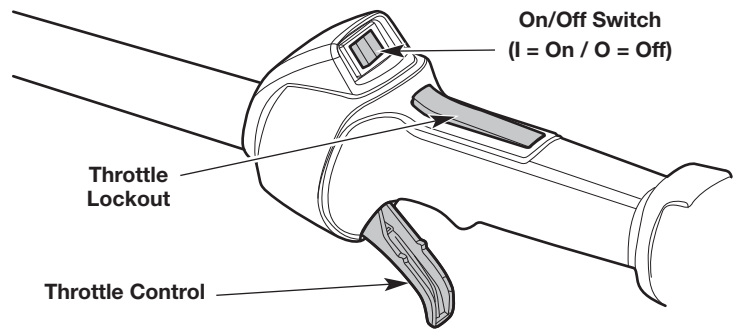


Fig. 17

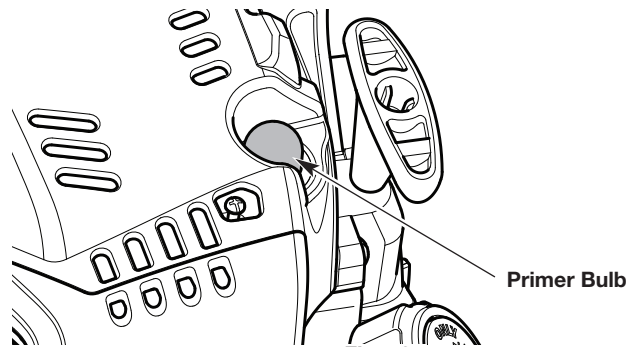


Fig. 18

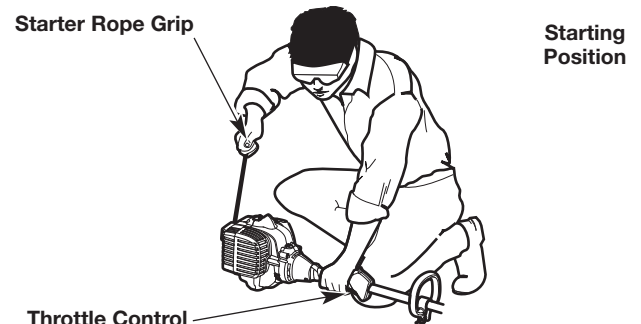


Fig. 19

USING THE SPEED START™ ACCESSORY

This unit can be started with an optional Speed Start™ accessory (items sold separately). Please refer to the Speed Start™ accessory operator's manual for the proper use of this feature.

Please contact your local Craftsman retailer, call **1-888-331-4569** or visit **www.craftsman.com** for more information.

STARTING INSTRUCTIONS

1. Check the oil level. Refer to *Checking the Oil Level*.
 2. Fill the fuel tank. Refer to *Fueling the Unit*.
- NOTE:** There is no need to turn the unit on. The On/Off switch is in the **On (I)** position at all times (Fig. 17).
3. Slowly press and release the primer bulb **10 times** (Fig. 18).
 4. Crouch in the starting position (Fig. 19).
 5. Insert the Speed Start™ accessory into the Speed Start™ port (Fig. 20). Refer to the *Operation* section of the Speed Start™ accessory operator's manual.

NOTE: **PRESS** and **HOLD** the throttle lockout, then **SQUEEZE** and **HOLD** the throttle control for **ALL** further steps.

NOTE: To prevent the throttle control from being squeezed accidentally, this unit has a throttle lockout. The throttle control cannot be squeezed unless the throttle lockout is also engaged.

6. Press and hold the throttle lockout. Squeeze and hold the throttle control (Fig. 17). Run the Speed Start™ accessory in intervals no longer than 2 seconds each until the unit starts.
7. Remove the Speed Start™ accessory from the unit.
8. Install the shoulder strap (optional). Refer to *Installing the Shoulder Strap*.

IF... the engine does not start, begin the starting procedure with step 3.

IF... the engine fails to start after 3 attempts: Press and hold the throttle lockout. Squeeze and hold the throttle control. Run the Speed Start™ accessory in intervals no longer than 2 seconds each until the unit starts.

IF... the engine stops while the throttle control is squeezed, begin the starting procedure with step 3.

IF THE ENGINE IS HOT... begin the starting procedure with step 3.

STOPPING INSTRUCTIONS

1. Release the throttle control and allow the engine to idle.
2. Press and hold the On/Off switch in the **Off (O)** position until the engine comes to a complete stop (Fig. 17).

SPEED START ACCESSORIES

Item No.	Description
316.85951	Plug-In Power Start
316.85952	Power Bit Start
316.85953	Cordless Power Start

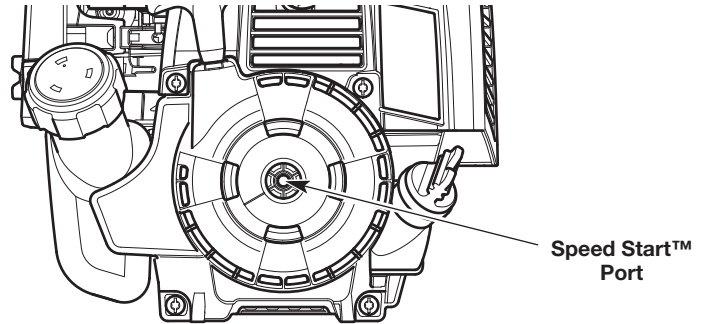


Fig. 20

HOLDING THE UNIT

WARNING: Always wear eye, hearing, hand, foot and body protection to reduce the risk of injury when operating this unit.

WARNING: To prevent serious personal injury, avoid arm contact with the engine while operating the unit. The engine may be extremely hot.

- Stand in the operating position (Fig. 21). Stand up straight. Do not bend over.
- Keep feet apart and firmly planted.
- Hold the shaft grip with the right hand. Keep the right arm slightly bent.
- Hold the handle with the left hand. Keep the left arm straight.
- Hold the unit at waist level.
- Position the cutting head a few inches above the ground.



Fig. 21

ADJUSTING THE TRIMMING LINE LENGTH (BUMP HEAD)

The cutting head can be used as a bump head or as a fixed-line head. When used as a bump head, trimming line can be released from the cutting head without stopping the engine. Before doing so, make sure the cutting head is loaded with line. Refer to *Replacing the Trimming Line (Bump Head)* in the *Maintenance* section.

To release more line, lightly tap the bump knob on the ground (Fig. 22) while operating the unit at high speed. For best results, tap the bump knob on bare ground or hard soil. Attempting to release line in tall grass may stall the engine.

NOTE: Do not rest the cutting head on the ground while the unit is running.

Each time the bump knob is tapped, about 1 inch (25.4 mm) of trimming line is released.

NOTE: Always keep the trimming line fully extended. Line release becomes more difficult when the cutting line gets shorter.

A blade in the cutting head shield will cut the line to the proper length if any excess line is released.

WARNING: Do not remove or alter the line cutting blade assembly. Excessive line length will make the unit overheat. This may lead to serious personal injury or damage to the unit.

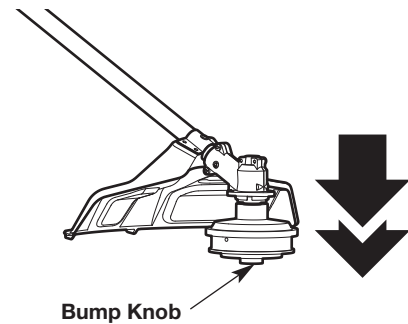


Fig. 22

TIPS FOR BEST RESULTS

- To direct clippings away from the operator, tilt the cutting head slightly down to the right; cut from left to right whenever possible.
- Do not trim wet grass or weeds.

NOTE: Some line breakage will occur from:

- Entanglement with foreign matter
- Normal line fatigue
- Attempting to cut thick vegetation
- Forcing the line into objects such as walls or fence posts

DECORATIVE TRIMMING

When trimming around trees, posts, fences, etc., rotate the whole unit so that the cutting head is at a 30° angle to the ground (Fig. 23).

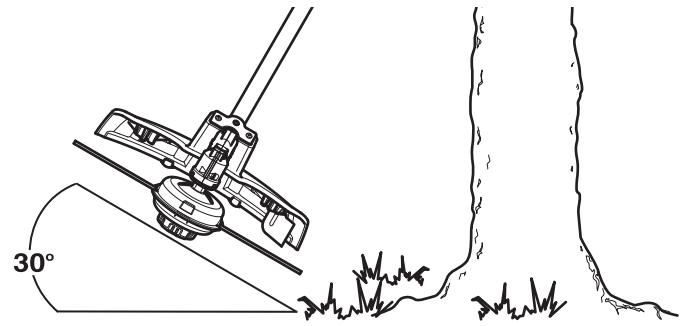


Fig. 23

EDGING

The trimmer attachment can be used for edging (Fig. 24). Alternatively, a bladed lawn edger attachment can also be purchased for use with this unit.

Rotating the Trimmer Attachment



WARNING: To avoid serious personal injury and damage to the unit, shut the unit off before rotating the attachment.

When edging around sidewalks, flowerbeds, etc., rotate the trimmer attachment 90° inside the coupler. **DO NOT** rotate the entire unit 90°.

1. Turn the knob counterclockwise to loosen the coupler (Fig. 25).
2. Press and hold the release button (Fig. 25).
3. Rotate the attachment until the release button snaps firmly into the 90° edging hole (Fig. 25).
4. Turn the knob clockwise to tighten the coupler (Fig. 25).



WARNING: Only snap the release button into the 90° edging hole when edging with the trimmer attachment. Using the 90° edging hole with other attachments could lead to personal injury or damage to the unit.

Maintaining the Trimming Line

Hard surfaces, such as sidewalks, can cause the trimming line to wear down quickly or break.

- **Bump Head:** Frequently check and adjust the trimming line length. Refer to *Adjusting the Trimming Line Length*. Always keep the trimming line fully extended.
- **Fixed-Line Head:** Frequently check the trimming line length. Replace the trimming line as needed. Refer to *Replacing the Trimming Line*.
- **DO NOT** force the unit. Make shallow cuts in as many passes as are necessary to achieve the desired depth. Cut at a slow, even pace.



Fig. 24

Release Button

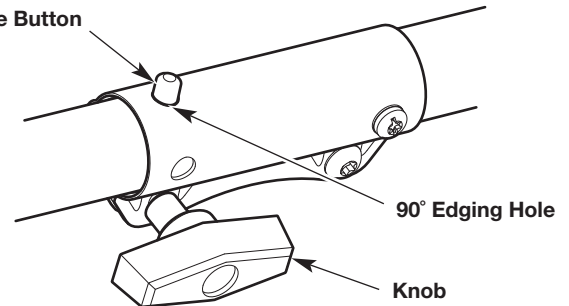


Fig. 25

MAINTENANCE



WARNING: To avoid serious personal injury, always stop the engine and allow it to cool before cleaning or maintaining the unit. Never perform cleaning or maintenance while the unit is running. Disconnect the spark plug wire to prevent the unit from starting accidentally.



WARNING: Wear protective clothing and observe all safety instructions to prevent serious personal injury.

MAINTENANCE SCHEDULE

Perform these required maintenance procedures at the frequency stated in the table. These procedures should also be a part of any seasonal tune-up.

NOTE: Some maintenance procedures may require special tools or skills. If you are unsure about these procedures, take the unit to a Sears or other qualified service dealer. Call **1-888-331-4569** for more information.

NOTE: Maintenance, replacement, or repair of the emission control devices and system may be performed by a Sears or other qualified service dealer. Call **1-888-331-4569** for more information.

NOTE: Please read the California/EPA statement that came with the unit for a complete listing of terms and coverage for the emissions control devices, such as the spark arrestor, muffler, carburetor, etc.

FREQUENCY	MAINTENANCE REQUIRED
Every 10 hours	<ul style="list-style-type: none"> Clean and re-oil the air filter. Refer to <i>Maintaining the Air Filter</i>.
After the first 10 hours and at 38 hours	<ul style="list-style-type: none"> Change the oil. Refer to <i>Changing the Oil</i>. Have the rocker arm clearance checked by a Sears or other qualified service dealer. Check the spark plug condition and gap. Refer to <i>Maintaining the Spark Plug</i>.

REPLACING THE TRIMMING LINE (BUMP HEAD)

Only use the trimming line described in the *Specifications* section. Other types of trimming line may cause the unit to overheat or fail.



WARNING: Never use metal-reinforced line, wire, chain or rope. These can break off and become dangerous projectiles.

NOTE: Always use the correct line length when installing trimming line. The line may not release properly if the line is too long.

NOTE: The cutting head will remain attached to the unit.

NOTE: DO NOT disassemble the cutting head to install new line.

Installing New Trimming Line (Bump Head)

1. If necessary, remove any old trimming line and/or obstructions from the cutting head. Refer to *Removing Old Trimming Line and Obstructions (Bump Head)*.
2. Cut two 10-foot (3.0 m) lengths of new trimming line. Cut one end of each line at a 30 degree angle (Fig. 27).
3. Turn the bump knob to align the mark on the bump knob with the mark on the spool cover (Fig. 26).
4. Insert one of the lines into an eyelet on the cutting head (Fig. 27). Use the angled end and push the line in about 3 inches (7.5 cm). Repeat this process with the other line and remaining eyelet.
5. Turn the bump knob to wind the line until about 5 inches (12.5 cm) protrude from each side of the cutting head (Fig. 28).

NOTE: DO NOT push the bump knob down while winding the line. The bump knob will only turn one way, depending upon the unit model.

NOTE: If too little line is left protruding, it could retract inside the cutting head.

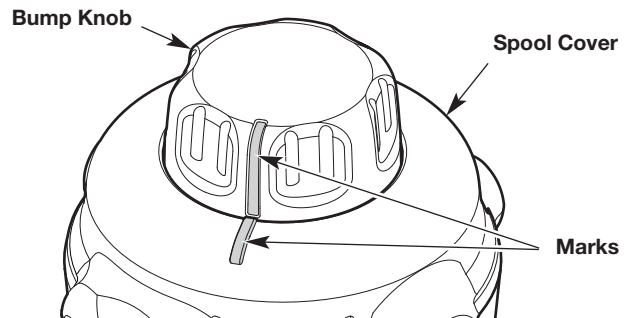


Fig. 26

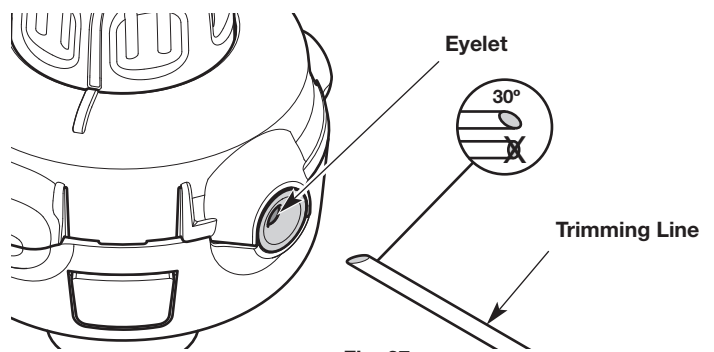


Fig. 27

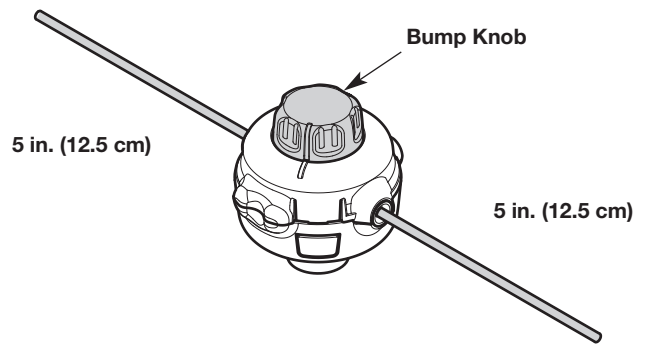


Fig. 28

Removing Old Trimming Line and Obstructions (Bump Head)

1. When the trimming line runs out, the last piece should automatically eject from the cutting head. If it does not, push the bump knob down and pull the remaining line out of the cutting head.
2. If the line will not come out or the cutting head is otherwise obstructed:
 - a. Firmly press a tab on the cutting head with your thumb (Fig. 29). **DO NOT** press the tab with a screwdriver or other object.
 - b. Continue pressing the tab. Insert a flat-head screwdriver into the gap between the outer spool and tab (Fig. 29).
 - c. Gently tilt the screwdriver to unlock the tab from the hole (Fig. 30).
 - d. Repeat the previous steps for the other tab.
 - e. Remove the spool cover (Fig. 30). **DO NOT** attempt to remove any other parts of the cutting head.
 - f. Remove any old trimming line and/or obstructions.
 - g. Use a clean cloth to clean the inner reel, outer spool and spool cover (Fig. 30).
 - h. Align the tabs on the spool cover with the holes on the outer spool (Fig. 30). Push the spool cover onto the outer spool until the tabs securely snap into the holes.

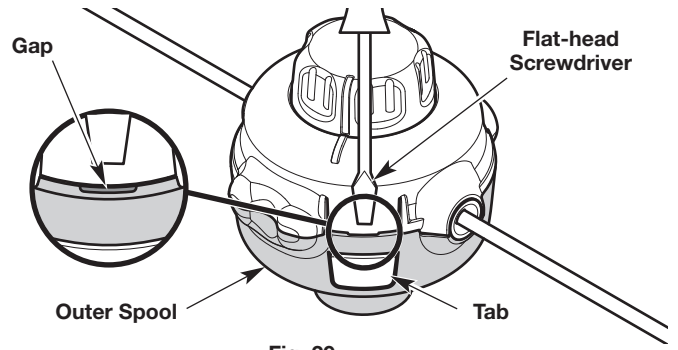


Fig. 29

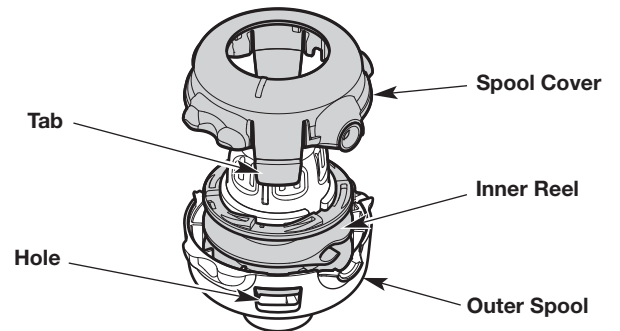


Fig. 30

REPLACING THE TRIMMING LINE

Only use the trimming line described in the *Specifications* section. Other types of trimming line may cause the unit to overheat or fail.

WARNING: Never use metal-reinforced line, wire, chain or rope. These can break off and become dangerous projectiles.

NOTE: When using Craftsman® Hassle Free™ XTRA QUIET Spiral Line, use the line best suited for the job at hand. Medium-sized (red) line is designed for cutting grass and small weeds. Large-sized (black) line is designed for cutting larger weeds and light brush.

1. Remove the old line from the cutting head. Push one end of the trimming line into the cutting head until a loop of line protrudes from the head. Pull the loop to remove the line (Fig. 31).
2. Use a clean cloth to clean the surface of the cutting head.
3. Insert the ends of the new trimming line into the holes in the cutting head (Fig. 31). Push the line through the holes until both ends protrude from the eyelets (Fig. 32).
4. Pull the ends of the line until the line is tight against the cutting head. Make sure the ends of the line are of equal length (Fig. 33). If one end is longer than the other, push the longer end back through the cutting head partway and pull the shorter end out. If necessary, repeat this process until both ends are of equal length.
5. Press the exposed loop of trimming line until it is tight against the cutting head (Fig. 33).

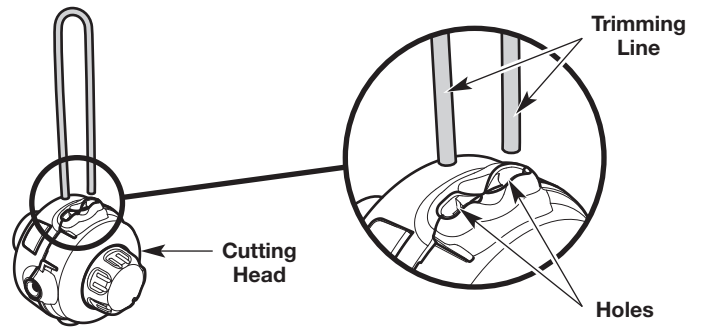


Fig. 31

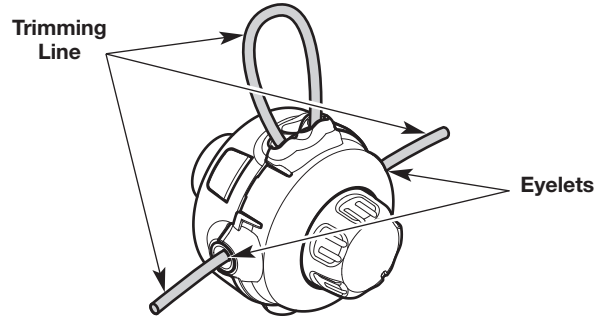


Fig. 32

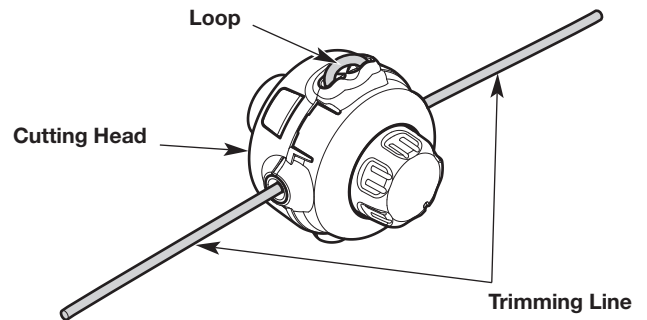


Fig. 33

CHECKING THE OIL LEVEL



WARNING: Check the oil level before each use. The importance of maintaining the proper oil level cannot be overemphasized.

Inspecting the Oil Level Window

1. Stop the engine and allow it to cool.
2. **Set the unit on a flat, level surface**, such as a workbench or table. The cutting head shield should hang over the edge so that the engine is level (Fig. 34).

NOTE: Failure to keep the engine level may result in oil overfill.

3. Look into the oil level window; use a flashlight if necessary. **The oil level should fill the window approximately halfway** (Fig. 35). If the oil level is too low, add oil. Refer to *Adding Oil*.

Adding Oil

1. Clean the area around the oil fill plug (Fig. 35) to prevent debris from entering the oil fill hole.
2. Unscrew the oil fill plug.
3. Add oil to the oil fill hole until the oil level is approximately halfway up the oil level window (Fig. 35).



WARNING: DO NOT overfill the crankcase. **OVERFILLING THE CRANKCASE MAY CAUSE SERIOUS PERSONAL INJURY.**

- If the oil level is too high, tip the unit and drain the excess oil into an appropriate container.
4. Wipe up any oil that may have spilled.
 5. Make sure the O-ring is in place on the oil fill plug (Fig. 35).
 6. Reinstall the oil fill plug.

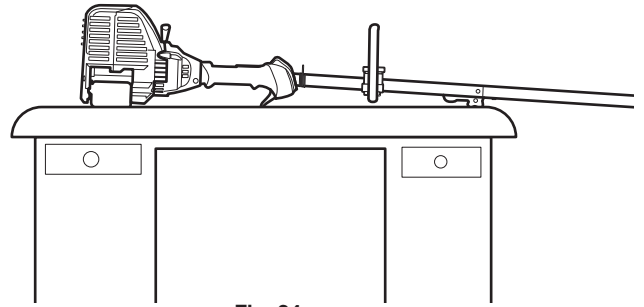


Fig. 34

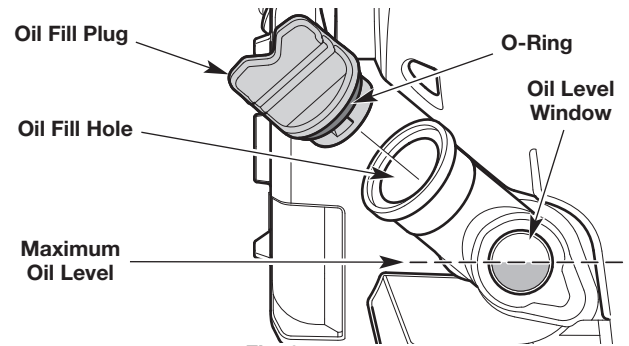


Fig. 35

CHANGING THE OIL

Change the oil while the engine is still warm. The oil will flow freely and carry away more impurities.

1. Clean the area around the oil fill plug (Fig. 35) to prevent debris from entering the oil fill hole.
2. Unscrew the oil fill plug.
3. Tip the unit vertically to pour the oil out of the oil fill hole and into a container (Fig. 36). Allow ample time for complete drainage.

NOTE: Dispose of the old oil according to federal, state and local regulations.

4. Wipe up any oil that may have spilled.
5. Pour 2.37 fl.oz. (70 ml) of SAE 30 oil into the oil fill hole.



WARNING: DO NOT overfill the crankcase. **OVERFILLING THE CRANKCASE MAY CAUSE SERIOUS PERSONAL INJURY.** Refer to *Checking the Oil Level*.

6. Wipe up any oil that may have spilled.
7. Make sure the O-ring is in place on the oil fill plug (Fig. 35).
8. Reinstall the oil fill plug.

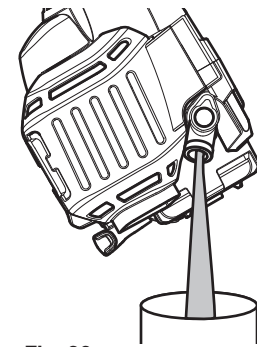


Fig. 36

MAINTAINING THE AIR FILTER

Failure to maintain the air filter can result in poor performance or can cause permanent damage to the engine. Engine failure due to improper air filter maintenance is not covered by the product warranty.

Cleaning the Air Filter

1. Unscrew the cover screw completely. Swing the air filter cover to the right. Remove the air filter cover from the air filter housing (Fig. 37).
2. Remove the air filter from the air filter housing (Fig. 37).
3. Wash the air filter in detergent and water. Rinse the air filter thoroughly and allow it to dry.
4. Lightly coat the air filter with clean SAE 30 oil.
5. Squeeze the air filter to spread and remove excess oil.
6. Reinstall the air filter in the air filter housing (Fig. 37).

NOTE: Operating the unit without the air filter and air filter cover will VOID the warranty.

7. Insert the tab on the air filter cover into the hole on the air filter housing. Swing the air filter cover to the left. Push the air filter cover back onto the air filter housing. Insert the cover screw into the air filter cover. Tighten the cover screw to secure the air filter cover (Fig. 37).

NOTE: Do not over tighten as this may strip the screw.

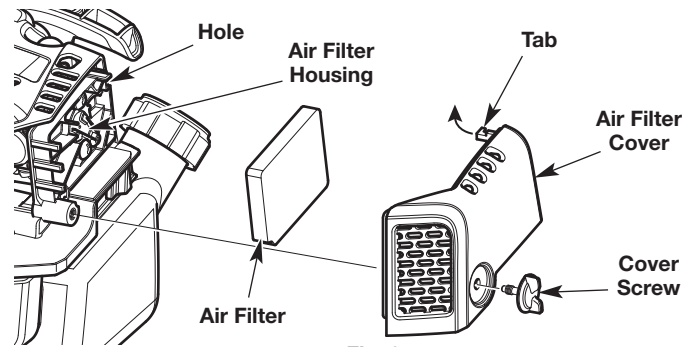


Fig. 37

ADJUSTING THE IDLE SPEED

	WARNING: The cutting head may spin during idle speed adjustments. Wear protective clothing and observe all safety instructions to prevent serious personal injury.
--	---

If the engine will not idle properly:

1. Start the engine. Refer to *Starting and Stopping*.
2. Release the throttle control and let the engine idle.
 - If the engine stops, increase the idle speed. Use a small Phillips screwdriver to turn the idle speed screw clockwise, 1/8 of a turn at a time, until the engine idles smoothly (Fig. 38).
 - If the cutting head spins when the engine idles, reduce the idle speed. Turn the idle speed screw counterclockwise, 1/8 of a turn at a time, until the cutting head stops moving (Fig. 38).

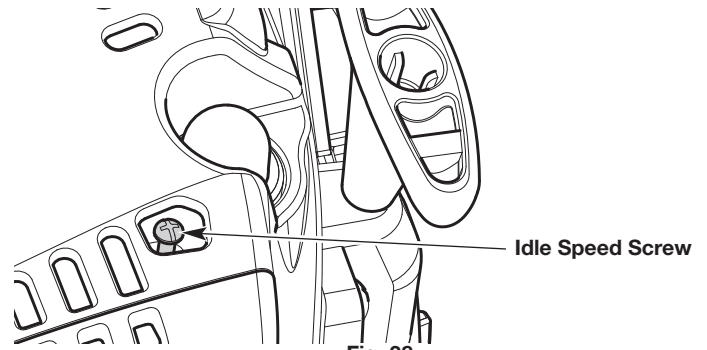


Fig. 38

MAINTAINING THE SPARK PLUG

1. Stop the engine and allow it to cool. Grasp the spark plug boot firmly and pull it from the spark plug.
2. Clean around the spark plug. Remove the spark plug from the cylinder head with a 5/8-inch socket, turning counterclockwise.

	WARNING: Do not sand blast, scrape or clean spark plug electrodes. Grit in the engine could damage the cylinder.
--	---

3. Inspect the spark plug. If the spark plug is cracked, fouled or dirty, replace it with replacement part #753-05784, a **Champion RDZ4H** or an equivalent spark plug.
4. Use a feeler gauge to set the air gap at **0.025 in. (0.635 mm)** (Fig. 39).
5. Install the spark plug in the cylinder head. Tighten the spark plug with a 5/8-inch socket, turning it clockwise until snug.

NOTE: If using a torque wrench, torque to:

110-120 in.·lb. (12.3-13.5 N·m). Do not over tighten.

6. Reattach the spark plug boot.

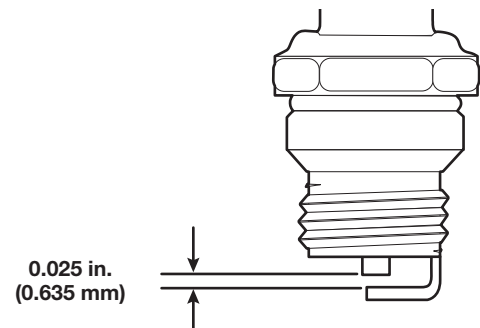


Fig. 39

CLEANING AND STORAGE

CLEANING



WARNING: To avoid serious personal injury, always stop the engine and allow it to cool before cleaning or maintaining the unit.

Use a small brush to clean the outside of the unit. Do not use strong detergents. Household cleaners that contain aromatic oils such as pine and lemon, and solvents such as kerosene, can damage plastic. Wipe off any moisture with a soft cloth.

STORAGE

- Never store a fueled unit where fumes may reach an open flame or spark.
- Allow the engine to cool before storing.
- Lock up the unit to prevent unauthorized use or damage.
- Store the unit in a dry, well-ventilated area.
- Store the unit out of the reach of children.
- To suspend the attachment from a hook, install the hanger cap onto the attachment. Make sure the release button is securely locked into one of the holes on the hanger cap.

Short-term Storage (1-2 weeks)

1. Store the unit in a horizontal position. If this is not possible, store the unit vertically with the engine at the top.

Long-term Storage

1. Remove the fuel cap, tip the unit and drain the fuel into an approved container. Reinstall the fuel cap.
2. Start the engine and allow it to run until it stalls. This ensures that all fuel has been drained from the carburetor.
3. Allow the engine to cool. Remove the spark plug and put 5 drops of any high-quality motor oil into the cylinder. Pull the starter rope slowly to distribute the oil. Reinstall the spark plug.
4. Thoroughly clean the unit and inspect it for any loose or damaged parts. Repair or replace damaged parts and tighten loose screws, nuts or bolts.

Preparing the Unit for Use after Long-term Storage

1. Remove the spark plug. Tip the unit and drain all of the oil from the cylinder into an approved container. Reinstall the spark plug.
2. Change the oil. Refer to *Changing the Oil*.

NOTE: Do not use fuel that has been stored for more than 30 days. Dispose of old fuel and oil according to federal, state and local regulations.

TROUBLESHOOTING

PROBLEM	SOLUTION
THE ENGINE WILL NOT START	
The fuel tank is empty	Fill the fuel tank with fresh fuel
The primer bulb was not pressed enough	Press the primer bulb 10 times
The fuel is old (over 30 days)	Drain the fuel tank and add fresh fuel
The spark plug is fouled	Replace the spark plug
THE ENGINE WILL NOT IDLE	
The air filter is dirty	Clean or replace the air filter
The fuel is old (over 30 days)	Drain the fuel tank and add fresh fuel
The idle speed is incorrect	Adjust the idle speed
THE ENGINE WILL NOT ACCELERATE	
The fuel is old (over 30 days)	Drain the fuel tank and add fresh fuel
The cutting head is bound with grass	Stop the engine and clean the cutting head
The air filter is dirty	Clean or replace the air filter
THE ENGINE LACKS POWER OR STALLS	
The fuel is old (over 30 days)	Drain the fuel tank and add fresh fuel
The air filter is dirty	Clean or replace the air filter
The spark plug is fouled	Replace the spark plug
THE CUTTING HEAD WILL NOT ADVANCE LINE (BUMP HEAD)	
The cutting head is bound with grass	Stop the engine and clean the cutting head
The cutting head is out of line	Refill the cutting head with new line
The inner reel is bound up	Rewind the line
The cutting head is dirty	Clean the inner reel and outer spool
The line is welded	Open the cutting head and remove the welded section
The line is twisted	Rewind the line
Not enough line is extended	Stop the unit, push the bump knob and pull the line until 4 inches (102 mm) is outside of the cutting head
THE CUTTING LINE ADVANCES UNCONTROLLABLY (BUMP HEAD)	
There is oil, cleaner or lubricant in the cutting head	Clean and thoroughly dry the cutting head

If further assistance is required, take the unit to a Sears or other qualified service dealer.

Manual del Operador

CRAFTSMAN®

Motor de 4 tiempos

Con Posibilidad de Arranque Eléctrico

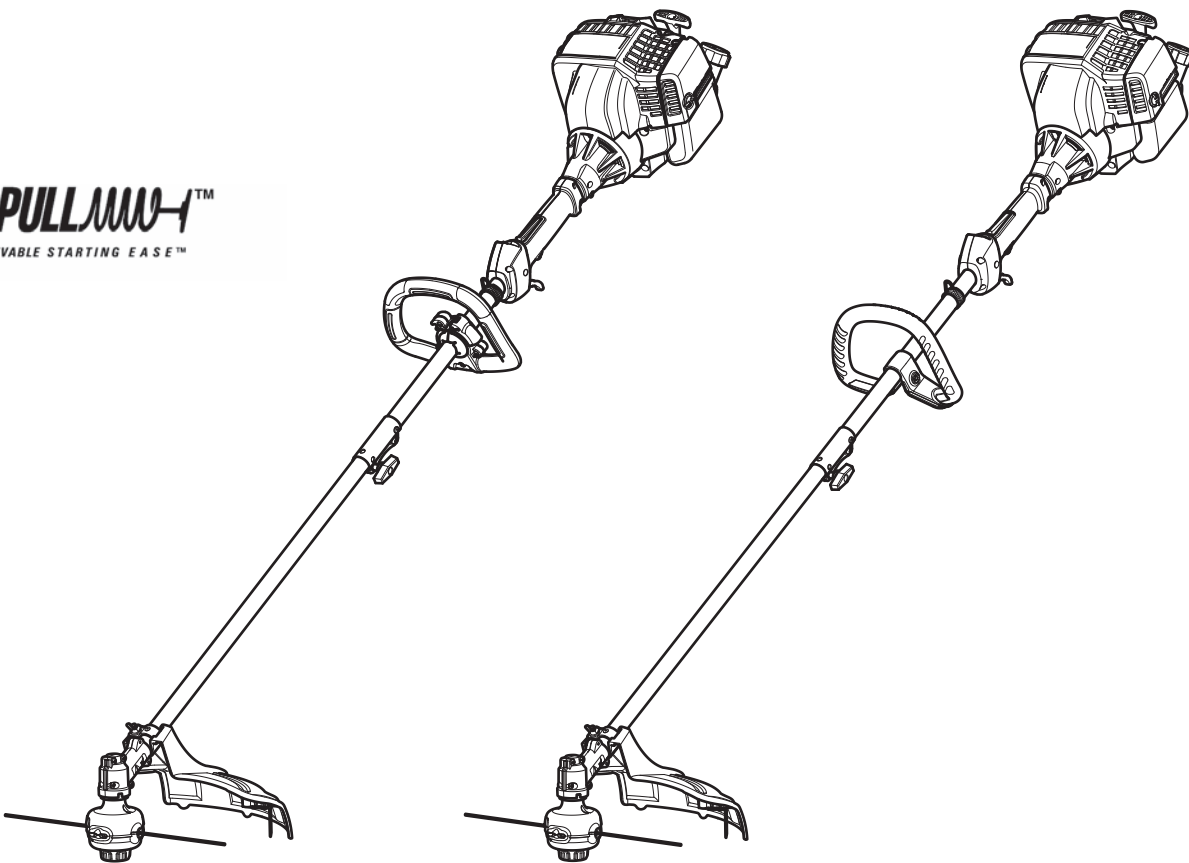
RECORTADORAS A GASOLINA WEEDWACKER®

Números de modelo 316.74093* & 316.74097*

*El último dígito del número de modelo varía.



INCREDI-PULL™
UNBELIEVABLE STARTING EASE™



PRECAUCIÓN: Antes de utilizar, este producto lea este manual y siga todas las reglas de seguridad e instrucciones de operación.

- SEGURIDAD
- ENSAMBLAJE
- OPERACIÓN
- MANTENIMIENTO

Sears Brands Management Corporation, Hoffman Estates, IL 60179 U.S.A.

Visite nuestro sitio web: www.craftsman.com

TABLA DE CONTENIDO

Seguridad	26
Conozca su unidad	30
Especificaciones	31
Ensamblaje	32
Aceite y combustible	36
Arranque y parada	37
Operación	39
Mantenimiento	41
Limpieza y almacenamiento	46
Localización y solución de problemas	47
Garantía	*
Convenio de protección de reparación	*
Números de servicio	*

* Para consultar Acuerdos de Protección para Reparaciones y Garantía e Información sobre el Número de Servicio, por favor, vea el *Suplemento de Garantía / Servicio* por separado.

NOTA: Este manual del operador cubre múltiples modelos. Las características pueden variar según los modelos. No todas las características de este manual son aplicables a todos los modelos. El modelo descrito puede diferir del suyo.


Toda la información, las ilustraciones y especificaciones que contiene este manual se basan en la información más reciente del producto, existente en el momento de la impresión. Nos reservamos el derecho de hacer cambios en cualquier momento, sin previo aviso.

© Sears Brands, LLC

SEGURIDAD

El objetivo de los símbolos de seguridad es dirigir su atención hacia posibles peligros. Los símbolos de seguridad, así como sus explicaciones, necesitan su atención y comprensión completas. Las advertencias de seguridad no eliminan por sí mismas ningún peligro. Las instrucciones o advertencias que contienen no reemplazan a las medidas adecuadas de prevención de accidentes.

SÍMBOLOS SIGNIFICADO

 **PELIGRO:** Indica un peligro EXTREMO. Si no se respeta un símbolo de seguridad de **PELIGRO** usted mismo u otras personas sufrirán lesiones graves o la muerte.


 **ADVERTENCIA:** Indica un peligro GRAVE. Si no se respeta un símbolo de **ADVERTENCIA** de seguridad usted mismo u otras personas **PUEDEN** sufrir lesiones graves.

 **PRECAUCIÓN:** Indica un peligro de GRAVEDAD MODERADA. Si no se respeta un símbolo de seguridad de **PRECAUCIÓN** usted mismo u otras personas **PUEDEN** sufrir lesiones o se **PUEDEN** producir daños materiales.

NOTA: Proporciona información o instrucciones de vital importancia para el funcionamiento o el mantenimiento del equipo.

NOTA SOBRE EL AMORTIGUADOR DE CHISPAS

NOTA: Para usuarios de los territorios de bosques de EE. UU. y de los estados de California, Maine, Oregon y Washington. Todos los territorios de bosques de EE. UU. y los estados de California (Códigos de Recursos Públicos 4442 y 4443), Oregon y Washington exigen por ley, que determinados motores de combustión interna que se operan en zonas cubiertas por malezas de bosque y/o hierbas cuenten con un amortiguador de chispas que se deberá mantener en condiciones de uso adecuadas o que el motor se diseñe, equipe y mantenga para prevenir incendios. Corrobore con las autoridades estatales o locales cuáles son las normativas correspondientes a dichas exigencias. El incumplimiento de dichos requerimientos podría generarle una responsabilidad o una multa. **La presente unidad se equipa en la fábrica con un amortiguador de chispas.** Si requiere reemplazo, póngase en contacto con un Centro de Servicio de Reparaciones y Piezas Sears para instalar el conjunto de silenciador adecuado.

 **PROPOSICIÓN 65 DEL ESTADO DE CALIFORNIA**
ADVERTENCIA: Este producto contiene una sustancia química que según el Estado de California puede producir cáncer, defectos de nacimiento u otros problemas reproductivos.

Lea el manual del operador y siga todas las advertencias e instrucciones de seguridad. Si no lo hace, el operador y/o los observadores pueden sufrir lesiones graves.

• INSTRUCCIONES DE SEGURIDAD IMPORTANTES •

LEA TODAS LAS INSTRUCCIONES ANTES DE USAR LA UNIDAD



ADVERTENCIA: Se deben respetar todas las instrucciones de seguridad al usar la unidad. Por favor, lea estas instrucciones antes de utilizar la unidad para garantizar la seguridad del operador y los observadores. Por favor, guarde estas instrucciones para su uso posterior.

- Lea las instrucciones con atención. Debe familiarizarse con los controles y con el uso apropiado de la unidad. Sepa cómo detener la unidad y desconectar los controles rápidamente.
- Manténgase alerta. No opere esta unidad si está cansado, enfermo o bajo la influencia de alcohol, drogas o medicamentos.
- Nunca permita a los niños operar la unidad. Los adolescentes deben ser entrenados, acompañados y supervisados por un adulto. Nunca permita a los adultos operar la unidad sin las instrucciones adecuadas.
- Se deben instalar correctamente todos los protectores y accesorios de seguridad antes de operar la unidad.
- Inspeccione la unidad antes de usarla. Verifique si hay piezas dañadas. Compruebe si hay pérdidas de combustible. Compruebe que todas las piezas funcionen correctamente. Compruebe que todas las sujeciones estén en su lugar y bien ajustadas. Compruebe que todas las piezas móviles queden adecuadamente alineadas y no se atasquen. Reemplace las piezas que estén agrietadas, astilladas o dañadas de cualquier manera. Haga reparar o reemplazar por un centro de servicio técnico autorizado todas las piezas que estén dañadas o que no funcionen adecuadamente. No utilice la unidad si hay piezas sueltas o dañadas.
- Use únicamente el hilo de recorte que se describe en la sección *Especificaciones* de este manual. Nunca use un hilo, un cable, una cadena o una cuerda de metal reforzados. Podrían separarse y convertirse en proyectiles peligrosos.
- No cambie el cabezal de corte por cuchillas rígidas o de metal. Si lo hace, podría provocar lesiones graves.
- Tenga en cuenta el riesgo de lesiones en la cabeza, las manos y los pies.
- Inspeccione el área con atención antes de arrancar la unidad. Extraiga las rocas, los vidrios rotos, los clavos, los cables, cordeles y demás objetos que podrían ser arrojados o enredarse en la unidad.
- Despeje la zona de niños, observadores y mascotas; manténgalos fuera de un radio de 50 pies (15 m), como mínimo. Incluso a esa distancia, sigue el riesgo de ser alcanzados por los objetos arrojados por el aire. Sugiera a los observadores que usen protección ocular. Si alguien se le aproxima, detenga la unidad de inmediato.
- Apriete el control del acelerador y verifique que vuelva automáticamente a la posición de ralentí. Realice todos los ajustes o las reparaciones antes de usar la unidad.
- No cambie la configuración del regulador del motor ni acelere demasiado el motor.
- Esta unidad está diseñada para uso ocasional, para el hogar únicamente.

ADVERTENCIAS DE SEGURIDAD PARA LAS UNIDADES A GASOLINA



ADVERTENCIA: La gasolina es sumamente inflamable y sus vapores pueden explotar si se encienden. Adopte las siguientes precauciones:

- Almacene el combustible únicamente en recipientes diseñados específicamente y aprobados para el almacenamiento de dichos materiales.
- Detenga siempre el motor y déjelo enfriar antes de llenar el depósito. Nunca retire la tapa del depósito de combustible ni agregue combustible cuando el motor esté caliente. Afloje siempre lentamente la tapa del depósito de combustible para descargar la presión que haya en el depósito antes de recargar combustible.
- Agregue siempre combustible en una zona al aire libre, limpia y bien ventilada, en la que no haya chispas ni llamas. NO fume.
- Nunca opere la unidad si la tapa del combustible no está bien sujeta en su lugar.
- Evite que se genere una fuente de encendido para el combustible derramado. Limpie de inmediato el combustible derramado de la unidad, antes de encenderla. Mueva la unidad al menos 30 pies (9.1m) de la fuente de combustible y del sitio antes de arrancar el motor. NO fume.
- Nunca arranque ni use la unidad dentro de una habitación o de una construcción cerrada. La inhalación de humos de escape puede ser mortal. Opere esta unidad únicamente en una zona bien ventilada, al aire libre.

DURANTE LA OPERACIÓN

- Utilice anteojos o antiparras de seguridad que cumplan con las normas ANSI / ISEA Z87.1 vigentes y que tengan la identificación correspondiente. Utilice una protección auditiva al operar esta unidad. Utilice una máscara facial o para polvos si la máquina levanta polvo durante su funcionamiento.
- Use pantalones largos y gruesos, botas, guantes y camisa de mangas largas. No use ropa holgada, alhajas, pantalones cortos, sandalias ni ande descalzo. Sujétese el cabello a nivel de los hombros.
- El protector del cabezal de corte siempre debe estar colocado mientras se opera la unidad. No utilice la unidad si no están extendidos ambos hilos de recorte y si no está instalado el hilo adecuado. No extienda el hilo de recorte más allá de la longitud del protector.
- El cabezal de corte debe permanecer fijo cuando el motor funciona al ralentí. Si no funciona, consulte *Ajuste de la velocidad de ralentí*.
- Ajuste la manija para que brinde el mejor agarre, si corresponde.
- Compruebe que el cabezal de corte no esté en contacto con nada antes de poner en marcha la unidad.
- Use la unidad solamente con luz de día o con una buena luz artificial.
- Evite arranques accidentales. Permanezca en la posición de arranque siempre que tire de la cuerda de arranque. El operador y la unidad deben estar en una posición estable durante el arranque. Consulte *Arranque y Parada*.
- Utilice la herramienta apropiada. Use esta herramienta sólo para el propósito para el que fue diseñada. Sólo use la unidad como se indica en este manual.
- Sostenga siempre la unidad con ambas manos durante la operación. Sostenga firmemente ambas manijas o empuñaduras.

- No se extienda demasiado. Siempre debe estar bien afirmado y mantener el equilibrio adecuado. Tenga cuidado al trabajar sobre escalinatas, cuestas empinadas o pendientes. Para evitar lesiones graves, no haga funcionar la unidad desde una escalera de mano o un techo.
- Mantenga las manos, el rostro y los pies alejados de todas las piezas móviles. No toque ni intente detener las piezas móviles.
- No toque el motor, el alojamiento del engranaje ni el silenciador. Estas partes se ponen extremadamente calientes por el funcionamiento, incluso después de que se apaga la unidad.
- No opere la unidad a una velocidad mayor a la necesaria para la tarea. No haga funcionar la unidad a alta velocidad cuando no está en uso.
- No exija demasiado a la unidad. Si se usa a la velocidad para la que fue diseñada, realizará un trabajo más eficiente y seguro.
- Apague siempre la unidad cuando la operación se encuentre demorada o cuando la unidad se traslade de un lugar a otro. Compruebe que todas las piezas móviles se detengan completamente.
- Antes de apoyar la unidad, siempre asegúrese de que el motor esté apagado y que todas las piezas móviles se hayan detenido.
- Si la unidad golpea o se enreda con un objeto extraño, detenga la unidad de inmediato. Controle si la unidad está dañada. Si hay daño, no vuelva a arrancar o hacer funcionar la unidad hasta hacerlo arreglar. No utilice la unidad si hay piezas sueltas o dañadas.
- Apague el motor y desconecte la bujía para realizar tareas de mantenimiento o reparación.
- Use sólo piezas de reemplazo y accesorios del fabricante del equipo original (OEM) para esta unidad. Si usa cualquier otra pieza o accesorio, el usuario podría lesionarse gravemente o la unidad podría dañarse y se anularía la garantía.
- Mantenga limpia la unidad. Quite con cuidado cualquier resto de vegetación u otros residuos que puedan bloquear las piezas móviles.
- A fin de reducir el riesgo de incendio, reemplace el silenciador y el amortiguador de chispas si están averiados. Mantenga el motor y el silenciador libres de hierbas, hojas y de la acumulación excesiva de grasa o de carbono.
- Si la unidad comienza a vibrar en forma anormal, deténgala de inmediato. Inspeccione la unidad para determinar la causa de la vibración. La vibración por lo general indica que hay algún problema.

OTRAS ADVERTENCIAS DE SEGURIDAD







- El mantenimiento de la unidad debe ser minucioso. Siga todas las instrucciones de mantenimiento de este manual.
- No realice ningún procedimiento de mantenimiento que no figure en este manual. Todos los servicios, que no sean los procedimientos de mantenimiento descritos en este manual, deberán realizarse por un centro de Sears u otro centro de servicio calificado.
- Nunca extraiga, modifique o deje inoperativo ningún dispositivo de seguridad que venga con la unidad.
- Antes de inspeccionar, limpiar, guardar o transportar la unidad, o de hacer tareas de reparación o mantenimiento o reemplazar alguna de sus piezas:
 1. Detenga la unidad. Consulte *Arranque y Parada*.
 2. Asegúrese de que se hayan detenido todas las piezas móviles.
 3. Deje que la unidad se enfríe.
 4. Desconecte el cable de la bujía.
- Sujete la unidad durante el transporte.
- Nunca almacene la unidad con combustible en el depósito, en el interior de una construcción donde las emanaciones puedan alcanzar una llama abierta (luces piloto, etc.) o chispas (interruptores, motores eléctricos, etc.).
- Almacene la unidad en un lugar seco, asegurada o a una altura que evite que se la use sin autorización o se la dañe. Mantenga la unidad lejos del alcance de los niños.
- Nunca rocíe ni arroje chorros de agua ni de ningún otro líquido a la unidad. Mantenga las manijas secas y limpias (sin residuos, aceite ni grasa). Limpie la unidad luego de cada uso. Consulte *Limpieza y almacenamiento*. No utilice solventes o detergentes fuertes.
- Guarde estas instrucciones. Consúltelas con frecuencia y úselas para capacitar a otros usuarios. Si le presta esta unidad a otras personas, también debe prestarles estas instrucciones.

GUARDE ESTAS INSTRUCCIONES

• SÍMBOLOS INTERNACIONALES Y DE SEGURIDAD •

Este manual del operador describe símbolos de seguridad e internacionales, así como pictogramas, que pueden aparecer en este producto. Lea el manual del operador para obtener información completa sobre seguridad, montaje, funcionamiento, mantenimiento y reparaciones.

SÍMBOLOS SIGNIFICADO

	<p>• SÍMBOLO DE ALERTA DE SEGURIDAD</p> <p>Indica peligro, advertencia o precaución. Puede utilizarse junto con otros símbolos o pictogramas.</p>
	<p>• LEA EL MANUAL DEL OPERADOR</p> <p>ADVERTENCIA: Lea el (los) manual(es) del operador y cumpla todas las advertencias e instrucciones de seguridad. Si no lo hace, el operador y/o los observadores pueden sufrir lesiones graves.</p>
	<p>• UTILICE PROTECCIÓN OCULAR Y AUDITIVA</p> <p>ADVERTENCIA: Los objetos que son arrojados por el aire y los ruidos fuertes pueden provocar graves lesiones oculares y pérdidas de audición. Cuando opere esta unidad, utilice protección ocular que cumpla con las normas ANSI / ISEA Z87.1 vigentes y protectores auditivos. Utilice una máscara que cubra todo el rostro si es necesario.</p>
	<p>• UTILICE PROTECCIÓN DE PIES</p> <p>Siempre utilice calzado reforzado, antideslizante, cuando haga funcionar esta unidad.</p>
	<p>• UTILICE PROTECCIÓN DE MANOS</p> <p>Siempre utilice guantes reforzados, antideslizantes, cuando manipule esta unidad.</p>
	<p>• POSICIÓN DE MANIJA</p> <p>Compruebe que la manija esté ubicada más allá del extremo de la etiqueta de seguridad.</p>
	<p>• COMBUSTIBLE SIN PLOMO</p> <p>Utilice siempre combustible limpio, nuevo y sin plomo.</p>
	<p>• ACEITE</p> <p>Consulte el manual del operador para conocer el tipo adecuado de aceite.</p>
	<p>• NO UTILICE COMBUSTIBLE E85 EN ESTA UNIDAD</p> <p>ADVERTENCIA: Se ha demostrado que el combustible que contiene más de un 10% de etanol es probable que dañe este motor y anule la garantía.</p>

SÍMBOLOS SIGNIFICADO

	<p>• APAGADO/ENCENDIDO DE CONTROL DE PARADA</p> <p>ENCENDIDO / ARRANQUE / MARCHA</p>
	<p>• APAGADO/ENCENDIDO DE CONTROL DE PARADA</p> <p>APAGADO o PARADA</p>
	<p>• BULBO DEL CEBADOR</p> <p>Presione por completo el bulbo del cebador lentamente 10 veces.</p>
	<p>• LOS OBJETOS ARROJADOS PUEDEN PROVOCAR LESIONES GRAVES</p> <p>ADVERTENCIA: Es posible que se arrojen objetos pequeños por el aire a alta velocidad, lo cual puede provocar lesiones.</p>
	<p>• MANTENGA ALEJADOS A LOS OBSERVADORES</p> <p>ADVERTENCIA: Mantenga a todos los observadores, especialmente a los niños y las mascotas, al menos a 50 pies (15 m) de la zona de trabajo.</p>
	<p>• SUPERFICIE CALIENTE</p> <p>ADVERTENCIA: No toque el silenciador o el cilindro cuando estén calientes. Puede quemarse. Estas piezas se calientan extremadamente durante el funcionamiento. Una vez apagadas, continúan calientes durante un período breve.</p>
	<p>• CUCHILLA AFILADA</p> <p>ADVERTENCIA: Hay una cuchilla afilada sobre el protector del cabezal de corte. A fin de evitar lesiones graves, no toque la cuchilla de corte del hilo.</p>
	<p>• NO UTILICE CUCHILLAS DE METAL</p> <p>ADVERTENCIA: Para evitar lesiones graves, no reemplace el cabezal de corte por cuchillas rígidas o de metal.</p>

Nº de modelo 316.74093*

APLICACIONES

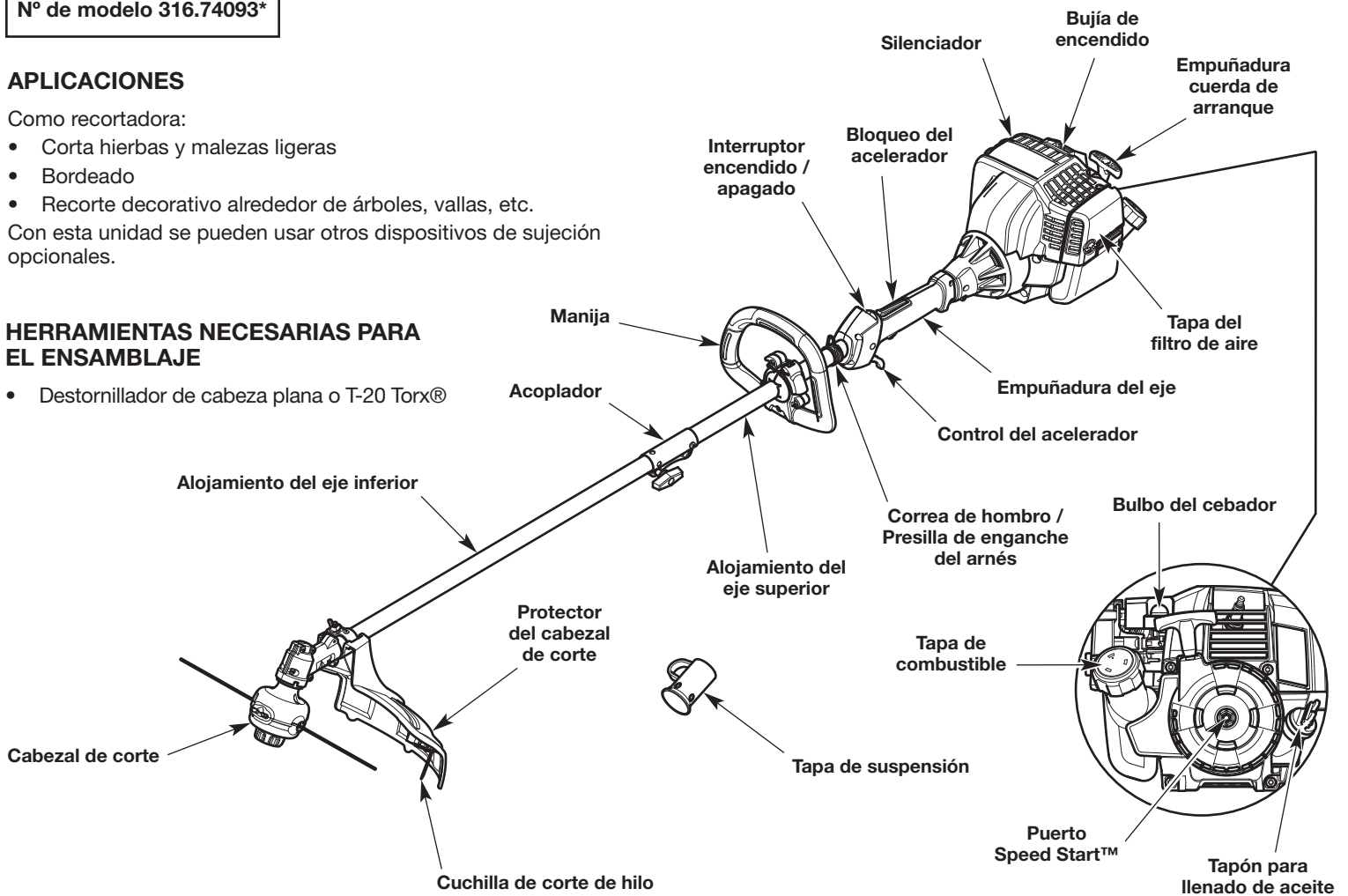
Como recortadora:

- Corta hierbas y malezas ligeras
- Bordeado
- Recorte decorativo alrededor de árboles, vallas, etc.

Con esta unidad se pueden usar otros dispositivos de sujeción opcionales.

HERRAMIENTAS NECESARIAS PARA EL ENSAMBLAJE

- Destornillador de cabeza plana o T-20 Torx®



N° de modelo 316.74097*

APLICACIONES

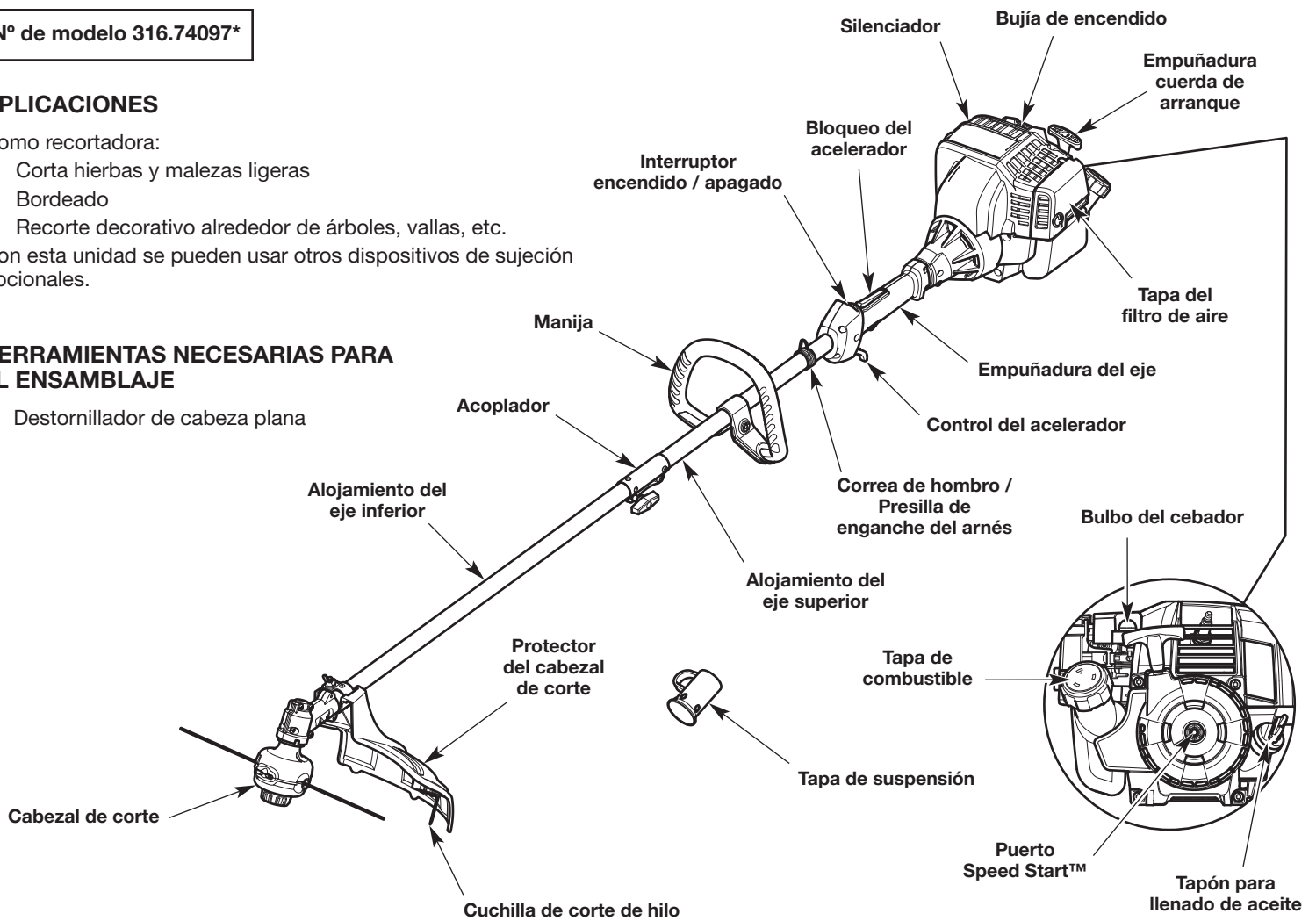
Como recortadora:

- Corta hierbas y malezas ligeras
- Bordeado
- Recorte decorativo alrededor de árboles, vallas, etc.

Con esta unidad se pueden usar otros dispositivos de sujeción opcionales.

HERRAMIENTAS NECESARIAS PARA EL ENSAMBLAJE

- Destornillador de cabeza plana



ESPECIFICACIONES

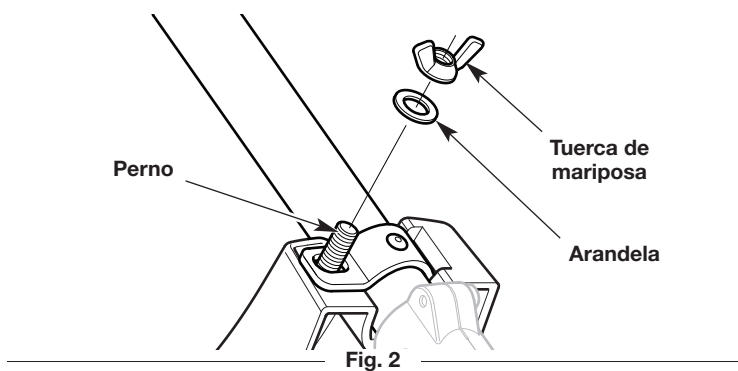
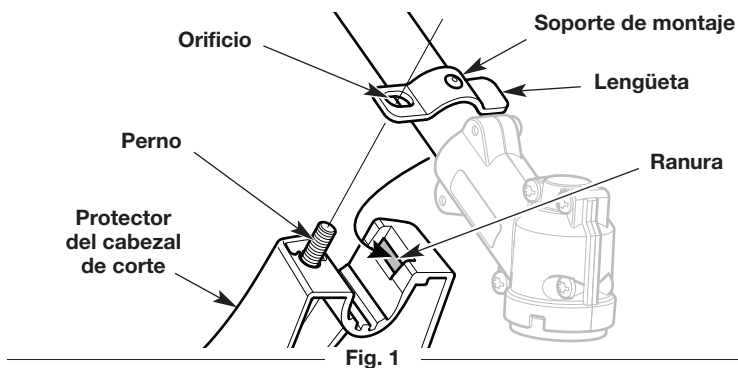
Tipo de motor	Refrigerado por aire, de 4 ciclos
Desplazamiento (N° de modelo 316.74093*)	32 cc (1.95 pulgadas cúbicas)
Desplazamiento (N° de modelo 316.74097*)	30 cc (1.83 pulgadas cúbicas)
Separación de las bujías	0.025 pulgadas (0.635 mm)
Bujía de encendido	Champion® RDZ4H o bujía equivalente
Lubricación	Aceite SAE 30
Capacidad de aceite del cárter	2.37 onzas (70 ml)
Capacidad del depósito de combustible	12 onzas (355 ml)
Peso aproximado de la unidad (sin combustible)	13.5 - 14.5 libras (6.1 - 6.6 kg)
Mecanismo de recorte	Cabezal de impacto o cabezal de corte de hilo fijo
Línea de Corte (Cabezal de corte de hilo fijo)	Línea Espiral Hassle Free™ XTRA QUIET
Diámetro del hilo de recorte (Cabezal de impacto)	0.095 pulgadas (2.41 mm)
Diámetro del hilo de recorte (Cabezal de corte de hilo fijo)	0.110 pulgadas (2.79 mm) Mediana o 0.130 pulgadas (3.30 mm) Grande
Diámetro de la senda de corte	18 pulgadas (45.7 cm)

Todas las especificaciones están basadas se basan en la información más reciente sobre el producto disponible al momento de la impresión. Nos reservamos el derecho a realizar cambios en cualquier momento sin previo aviso.

INSTALACIÓN DEL PROTECTOR DEL CABEZAL DE CORTE

ADVERTENCIA: A fin de evitar que se produzcan lesiones personales graves, no opere nunca la unidad sin el protector del cabezal de corte en su lugar.

1. Extraiga la tuerca de mariposa y la arandela del protector del cabezal de corte.
2. Inserte la lengüeta corta (la que no tiene orificio) en el soporte de montaje dentro de la ranura del protector del cabezal de corte (Fig. 1).
3. Rote el protector del cabezal de corte hasta que el perno en el protector del cabezal de corte sobresalga a través del orificio del soporte de montaje (Fig. 1).
4. Coloque una arandela sobre el perno (Fig. 2).
5. Atornille la tuerca mariposa sobre el perno hasta que el protector del cabezal de corte esté firmemente colocado en su lugar (Fig. 2).

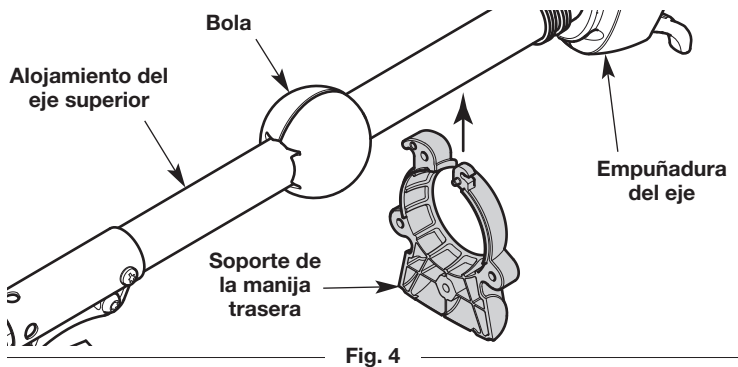
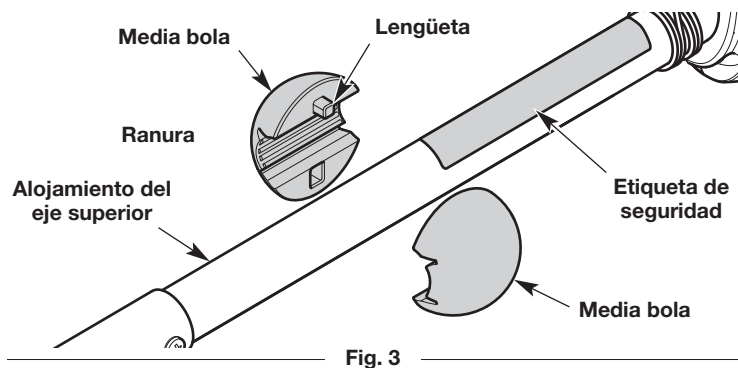


INSTALACIÓN Y AJUSTE DE LA MANIJA

Nº DE MODELO 316.74093*

Instalación de la manija

1. Coloque media rótula a cada lado del alojamiento del eje superior (Fig. 3). Alinee cada lengüeta con su correspondiente ranura de la media bola opuesta (Fig. 3). Junte las dos medias bolas. Compruebe que la bola esté ubicada más allá del extremo de la etiqueta de seguridad (Fig. 3).
2. Con cuidado empuje la ménsula de la manija trasera sobre el alojamiento del eje superior (Fig. 4). Verifique que el soporte de la manija trasera quede entre la bola y la empuñadura del eje (Fig. 4).
3. Deslice el soporte de la manija trasera hacia la parte posterior de la bola y fíjelo (Fig. 5).
4. Maniobre cuidadosamente el soporte de la manija delantera hacia el acoplador y deslícelo hacia la parte anterior de la bola (Fig. 5). Junte los soportes de la manija delantera y trasera.
5. Inserte una tuerca en una de las entrantes hexagonales de la parte posterior del soporte de la manija trasera (Fig. 6). Verifique que el lado redondo de la tuerca mira hacia afuera. Fije la tuerca en su lugar con un dedo. Inserte un perno en el correspondiente orificio del soporte de la manija delantera (Fig. 6). Ajuste el perno con un destornillador de cabeza plana o T20 Torx®. Repita este paso hasta que los cuatro (4) pernos estén bien instalados.
6. Empuje el pasador retén por completo en el gancho pequeño de la manija (Fig. 7). Levante la palanca retén y empújela hacia el gancho grande (Fig. 7). Deslice la traba retén sobre el gancho grande (Fig. 7).



- Mantenga la unidad en la posición de funcionamiento (Fig. 21). Mueva la manija hacia arriba o abajo del alojamiento del eje superior hasta que esté en una posición cómoda (Fig. 8). Compruebe que la manija esté ubicada más allá del extremo de la etiqueta de seguridad (Fig. 8).
- Incline la manija hasta la posición deseada.
- Baje la palanca retén para sujetar la manija.

Ajuste de la manija

Si la manija requiere ajustes:

- Levante la palanca retén para aflojar la manija (Fig. 8).
- Mantenga la unidad en la posición de funcionamiento (Fig. 21). Mueva la manija hacia arriba o abajo del alojamiento del eje superior hasta que esté en una posición cómoda (Fig. 8). Compruebe que la manija esté ubicada más allá del extremo de la etiqueta de seguridad (Fig. 8).
- Incline la manija hasta la posición deseada.
- Baje la palanca retén para sujetar la manija.

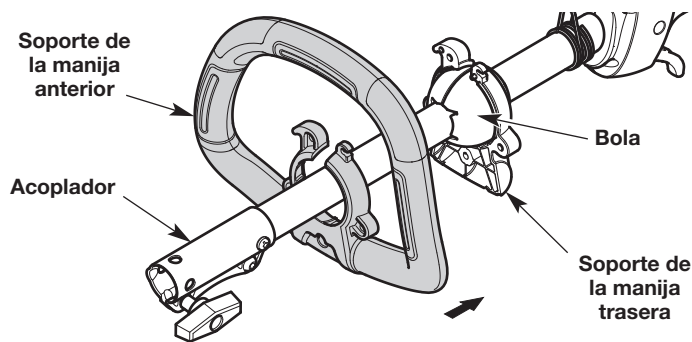


Fig. 5

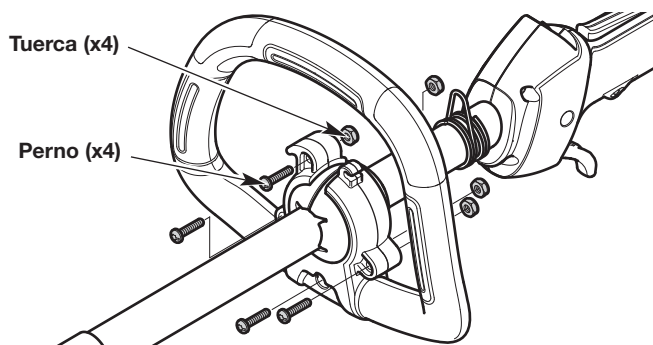


Fig. 6

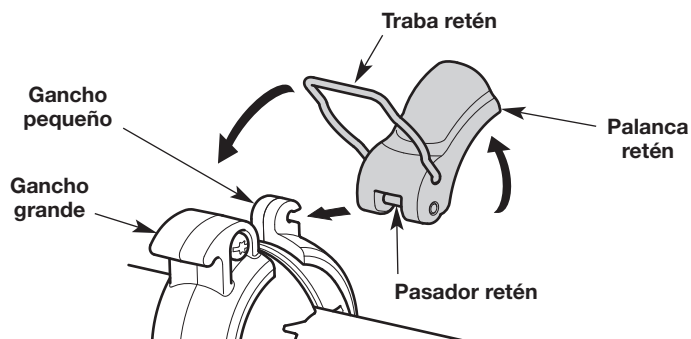


Fig. 7

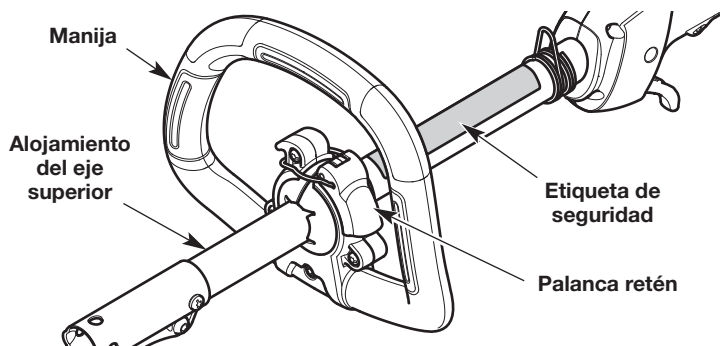


Fig. 8

INSTALACIÓN Y AJUSTE DE LA MANIJA

Nº DE MODELO 316.74097*

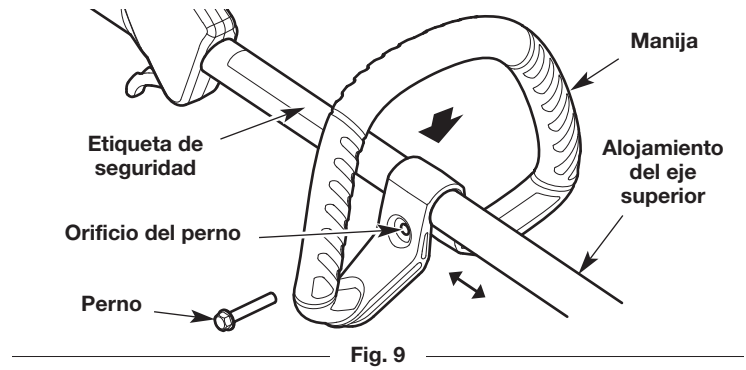
Instalación de la manija

1. Oprima la manija hacia abajo sobre el alojamiento del eje superior (Fig. 9). Asegúrese de que el orificio del perno mire hacia la derecha (Fig. 9).
2. Inserte el perno en el orificio del perno y oprímalo para que pase a través de él (Fig. 9). Ajuste el perno con un destornillador de cabeza plana, pero no lo ajuste completamente.
3. Mantenga la unidad en la posición de funcionamiento (Fig. 21). Mueva la manija hacia arriba o abajo del alojamiento del eje superior hasta que esté en una posición cómoda (Fig. 9). Compruebe que la manija esté ubicada más allá del extremo de la etiqueta de seguridad (Fig. 9).
4. Ajuste el perno con un destornillador de cabeza plana hasta que la manija quede segura.

Ajuste de la manija

Si la manija requiere ajustes:

1. Afloje el perno con un destornillador de cabeza plana (Fig. 9).
2. Mantenga la unidad en la posición de funcionamiento (Fig. 21). Mueva la manija hacia arriba o abajo del alojamiento del eje superior hasta que esté en una posición cómoda (Fig. 9). Compruebe que la manija esté ubicada más allá del extremo de la etiqueta de seguridad (Fig. 9).
3. Ajuste el perno con un destornillador de cabeza plana hasta que la manija quede segura.



INSTALACIÓN Y EXTRACCIÓN DEL ACCESORIO

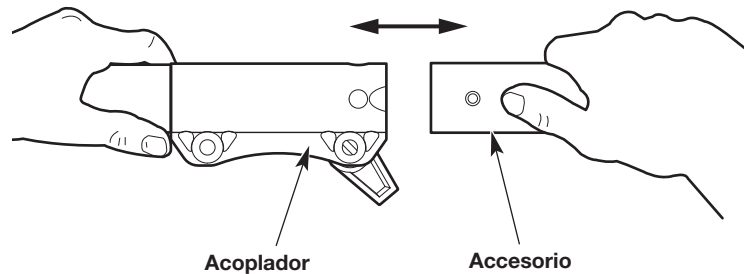
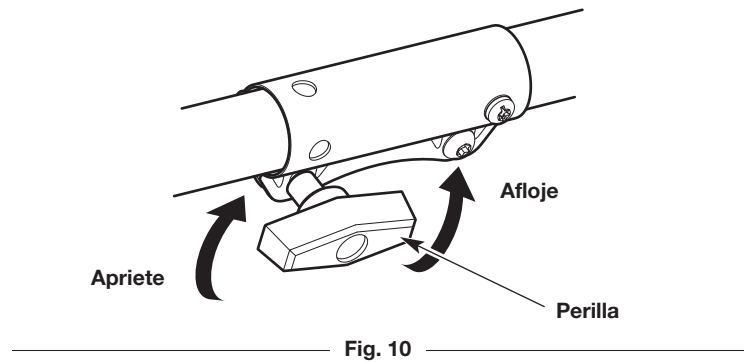
El acoplador permite el uso de varios accesorios opcionales.

	ADVERTENCIA: Antes de comenzar a utilizar cualquiera de los accesorios, lea y comprenda el manual que viene con dicho accesorio. Tenga en cuenta toda la información de seguridad que incluye.
	ADVERTENCIA: A fin de evitar lesiones personales graves y daños a la unidad, apáguela antes de extraer o instalar un accesorio.

Instalación del accesorio

1. Quite la tapa de suspensión del accesorio. Guarde la tapa de suspensión para utilizarla al almacenar el accesorio. De estar presente, extraiga el espaciador gris del acoplador.
2. Coloque la unidad en una superficie plana y nivelada.
3. Gire la perilla en el sentido contrario a las agujas del reloj para aflojar el acoplador (Fig. 10).
4. Alinee el botón de liberación con el embutimiento de la guía (Fig. 12).
5. Presione el accesorio directamente dentro del acoplador (Fig. 11) hasta que el botón de liberación encaje a presión firmemente del orificio principal (Fig. 12).
6. Gire la perilla en el sentido de las agujas del reloj para apretar el acoplador (Fig. 10).

	ADVERTENCIA: Antes de utilizar esta unidad, asegúrese de que el botón de liberación entre a presión completamente dentro del orificio principal y que la perilla quede bien ajustada.
--	--





ADVERTENCIA: Este botón de liberación debe colocarse a presión solamente en el orificio principal a menos que se especifique lo contrario. Si se utiliza un orificio equivocado, se podrían producir lesiones personales o daños a la unidad.

Extracción del accesorio

1. Coloque la unidad en una superficie plana y nivelada.
2. Gire la perilla en el sentido contrario a las agujas del reloj para aflojar el acoplador (Fig. 10).
3. Oprima y mantenga apretado el botón de liberación (Fig. 12).
4. Tire del accesorio directamente hacia fuera del acoplador (Fig. 11).

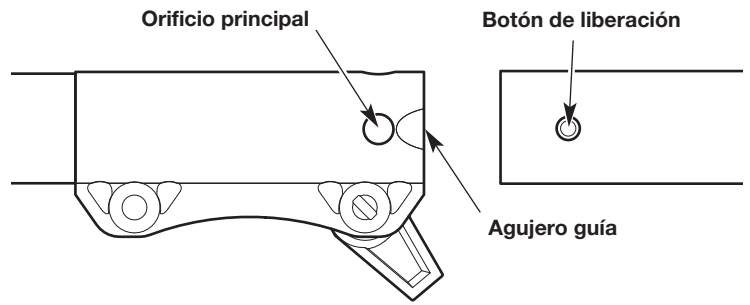


Fig. 12

INSTALACIÓN DE LA CORREA DE HOMBRO (OPCIONAL)

1. Haga pasar la correa hacia arriba por el ojal central de la hebilla (Fig. 13).
2. Doble la correa sobre sí misma y hágala pasar por el ojal inferior de la hebilla (Fig. 13).
3. Pase la correa de hombro sobre la cabeza del operador y sobre el hombro izquierdo.
4. Arranque la unidad. Consulte *Arranque y Parada*.
5. Calce el pasador a presión sobre la correa de hombro/presilla de enganche del arnés (Fig. 14).
6. Ajuste la correa de hombro para adecuarla al operador (Fig. 15). Tire de la hebilla hacia arriba para aflojar la correa. Tire de la correa hacia abajo para ajustarla.

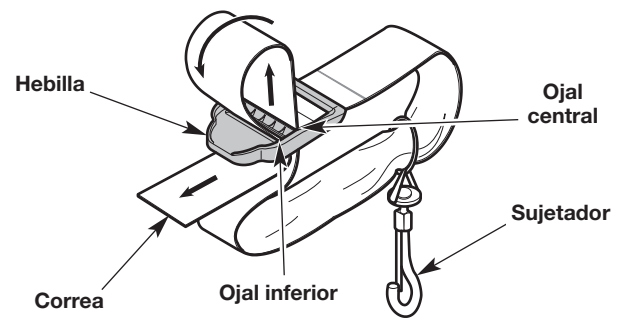


Fig. 13

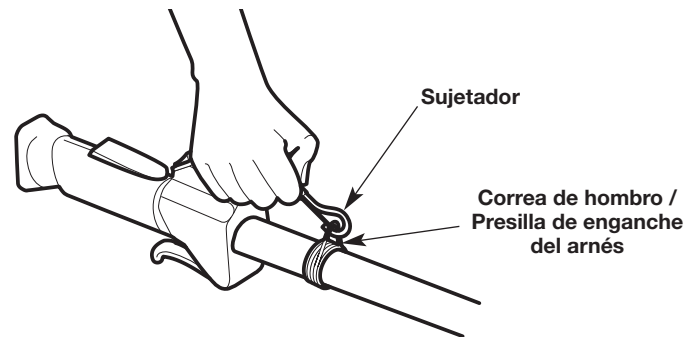


Fig. 14

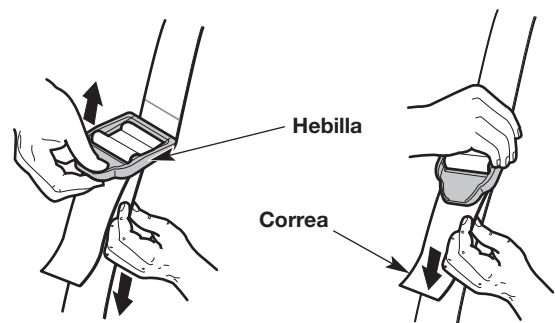


Fig. 15

USO DEL ACEITE CORRECTO

Use un aceite pesado de alta calidad SAE 30. **NO** utilice aceite sucio. Si no se utiliza aceite limpio del tipo adecuado se puede producir un desgaste y una falla prematura del motor.

INCORPORACIÓN DE ACEITE: USO INICIAL

ADVERTENCIA: SI SE LLENA EXCESIVAMENTE EL CÁRTER SE PUEDEN PRODUCIR LESIONES PERSONALES GRAVES. Controle el nivel de aceite antes de cada uso. No está de más insistir en la importancia de mantener el nivel de aceite adecuado. Cambie el aceite de acuerdo con el *Programa de mantenimiento*.

NOTA: Esta unidad se envió sin aceite en el cárter. Se debe agregar aceite antes de arrancar la unidad.

NOTA: Esta unidad viene con un recipiente de aceite de 2.37 onzas líquidas (70 ml).

1. **Coloque la unidad en una superficie plana y nivelada.**
2. Desenrosque el tapón de llenado de aceite (Fig. 16).
3. Vierta todo el contenido del recipiente dentro del orificio de llenado de aceite (Fig. 16). **NO** llene el depósito en exceso. Consulte *Control del nivel de aceite*.

NOTA: Nunca añada el aceite al tanque de combustible. Esta unidad tiene un motor de cuatro tiempos. **NO** mezcle el aceite con la gasolina.

4. Limpie el aceite que se pueda haber derramado.
5. Compruebe que la junta tórica esté en su lugar en el tapón de llenado de aceite (Fig. 16).
6. Vuelva a instalar el tapón de llenado de aceite.

USO DEL COMBUSTIBLE CORRECTO

El uso de combustible viejo es la causa más frecuente de los problemas de rendimiento. Sólo se debe utilizar gasolina nueva, limpia y sin plomo.

NOTA: Esta unidad tiene un motor de cuatro tiempos. **NO** mezcle el aceite con la gasolina.

Definición de combustibles mezclados

Actualmente los combustibles con frecuencia son una mezcla de gasolina y oxigenatos como etanol, metanol o éter (éter metílico terciario-butílico, MTBE). Los combustibles con mezcla de alcohol absorben el agua. Con tan solo un 1% de agua en el combustible es posible que el combustible y el aceite se separen, formando ácidos cuando se almacenan. SIEMPRE debe usar combustible nuevo (con menos de 30 días de antigüedad).

NOTA: Deseche el combustible usado de acuerdo con las normativas federales, estatales y locales.

Uso de combustibles mezclados

Si utiliza un combustible mezclado:

- Utilice siempre gasolina nueva sin plomo
- Use el aditivo para combustible STA-BIL® u otro equivalente

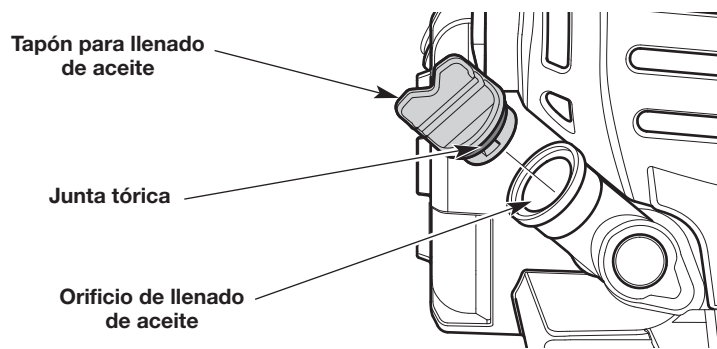


Fig. 16

PRECAUCIÓN: NO UTILICE COMBUSTIBLE E85 EN ESTA UNIDAD.
Se ha demostrado que el combustible que contiene más de un 10% de etanol es probable que dañe este motor y anule la garantía.

Uso de aditivos para el combustible

Utilice un aditivo para el combustible, como el estabilizador de combustible STA-BIL u otro equivalente, para inhibir la corrosión y minimizar los depósitos de goma. Agregue 0.8 onzas (23 ml) de aditivo para combustible por galón de combustible según las instrucciones del recipiente. NUNCA agregue aditivos para el combustible directamente al depósito de combustible de la unidad.

CARGA DE COMBUSTIBLE EN LA UNIDAD

ADVERTENCIA: La gasolina es extremadamente inflamable. Los vapores encendidos pueden explotar. Detenga siempre el motor y déjelo enfriar antes de llenar el depósito de combustible. No fume mientras llena el depósito. Mantenga las chispas y llamas abiertas a una distancia de la zona.

ADVERTENCIA: Retire la tapa del combustible lentamente a fin de evitar lesiones ocasionadas por salpicaduras de combustible. Nunca opere la unidad si la tapa del combustible no está bien sujeta en su lugar.

ADVERTENCIA: Agregue combustible en una zona al aire libre, limpia y bien ventilada. Limpie de inmediato la gasolina que se haya derramado. Evite que se genere una fuente de encendido para el combustible derramado. No arranque el motor hasta que se hayan disipado los vapores del combustible.

1. Ubique la unidad con la tapa del combustible orientada hacia arriba.
2. Extraiga lentamente la tapa de combustible.
3. Ubique el pico del recipiente de combustible dentro del orificio de llenado del depósito de combustible y llene el depósito.

NOTA: No llene en exceso el depósito de combustible.

4. Limpie el combustible que se pueda haber derramado.
5. Vuelva a colocar la tapa del combustible.
6. Mueva la unidad al menos 30 pies (9.1m) del recipiente de combustible y del sitio de carga de combustible antes de arrancar el motor.

ARRANQUE Y PARADA



ADVERTENCIA: Opere esta unidad solamente en un área exterior bien ventilada. El monóxido de carbono de los gases de escape puede ser letal en un área confinada.



ADVERTENCIA: Evite arrancar la unidad por accidente. A fin de evitar lesiones graves, el operador y la unidad deben estar en una posición estable al tirar de la cuerda de arranque (Fig. 19).

INSTRUCCIONES DE ARRANQUE

1. Controle el nivel de aceite. Consulte *Control del nivel de aceite*.
2. Llene el tanque de combustible. Consulte *Abastecer de combustible la unidad*.

NOTA: No hay necesidad de encender la unidad. El interruptor de Encendido/Apagado debe estar en la posición **Encendido (I)** en todo momento (Fig. 17).

3. Oprima y suelte despacio la pera del cebador **10 veces** (Fig. 18).
4. Agáchese en la posición de arranque (Fig. 19).

NOTA: OPRIMA y mantenga **OPRIMIDO** el bloqueo del acelerador, luego **APRIETE** y mantenga **APRETADO** el control del acelerador para **TODOS** los pasos siguientes.

NOTA: Para evitar apretar el control del acelerador accidentalmente, esta unidad tiene un bloqueo del acelerador. El control del acelerador no se puede apretar a menos que también se active el bloqueo del acelerador.

5. Oprima y mantenga el bloqueo de acelerador. Apriete y mantenga apretado el control del acelerador (Fig. 17). Tire de la cuerda de arranque con un movimiento controlado y firme **5 veces** para arrancar la unidad (Fig. 19).

NOTA: Esta unidad utiliza el sistema de arranque **INCREDI-PULL™**, que reduce notablemente el esfuerzo necesario para arrancar el motor.

6. Instale la correa de hombro (opcional). Consulte *Instalación de la correa de hombro*.

SI... el motor no arranca, comience el procedimiento de arranque con el paso 3.

SI... el motor no arranca después de 3 intentos: Oprima y mantenga el bloqueo de acelerador. Apriete y mantenga apretado el control del acelerador. Tire de la cuerda de arranque con un movimiento controlado y firme hasta que arranque la unidad.

SI... el motor se para mientras se aprieta el control del acelerador, comience el procedimiento de arranque con el paso 3.

SI EL MOTOR ESTÁ CALIENTE... comience el procedimiento de arranque con el paso 3.

INSTRUCCIONES DE APAGADO

1. Suelte el control del regulador y deje que el motor trabaje en vacío.
2. Oprima y no suelte el interruptor de control de Encendido y Apagado en la posición **Apagado (O)** hasta que el motor se detenga por completo (Fig. 17).

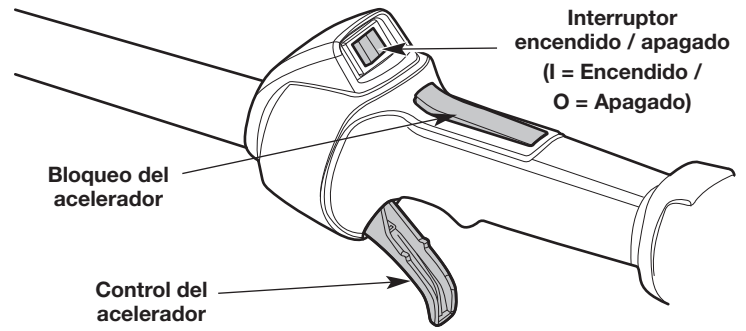


Fig. 17

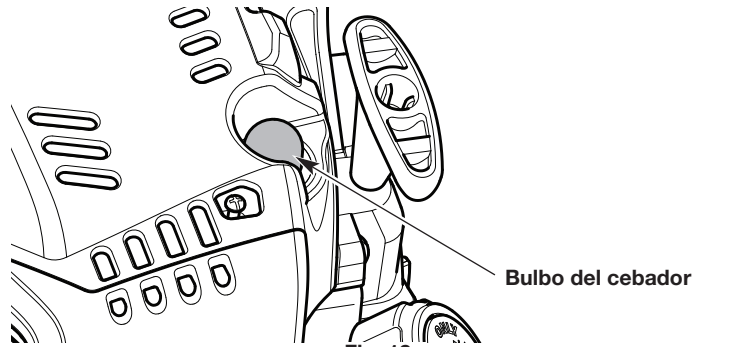


Fig. 18



Fig. 19

Esta unidad se puede arrancar con un accesorio opcional Speed Start™ (los accesorios se venden por separado). Para utilizar correctamente este dispositivo, consulte el manual del operador del accesorio Speed Start™.

Para más información, comuníquese con su distribuidor local Craftsman llamando al **1-888-331-4569** o visite www.craftsman.com.

ACCESORIOS SPEED START

de artículo	Descripción
316.85951	Arrancador de potencia eléctrica
316.85952	Arrancador de potencia para taladro
316.85953	Arrancador Eléctrico Inalámbrico

INSTRUCCIONES DE ARRANQUE

1. Controle el nivel de aceite. Consulte *Control del nivel de aceite*.
2. Llene el tanque de combustible. Consulte *Abastecer de combustible la unidad*.

NOTA: No hay necesidad de encender la unidad. El interruptor de Encendido/Apagado debe estar en la posición **Encendido (I)** en todo momento (Fig. 17).

3. Oprima y suelte despacio la pera del cebador **10 veces** (Fig. 18).
4. Agáchese en la posición de arranque (Fig. 19).
5. Coloque el accesorio Speed Start™ en el puerto Speed Start™ (Fig. 20). Consulte la sección *Operación* del manual del operador del accesorio Speed Start™.

NOTA: OPRIMA y mantenga **OPRIMIDO** el bloqueo del acelerador, luego **APRIETE** y mantenga **APRETADO** el control del acelerador para **TODOS** los pasos siguientes.

NOTA: Para evitar apretar el control del acelerador accidentalmente, esta unidad tiene un bloqueo del acelerador. El control del acelerador no se puede apretar a menos que también se active el bloqueo del acelerador.

6. Oprima y mantenga el bloqueo de acelerador. Apriete y mantenga apretado el control del acelerador (Fig. 17). Eche a andar el accesorio Speed Start™ por intervalos no mayores de 2 segundos cada vez hasta que la unidad arranque.
7. Retire el accesorio Speed Start™ de la unidad.
8. Instale la correa de hombro (opcional). Consulte *Instalación de la correa de hombro*.

SI... el motor no arranca, comience el procedimiento de arranque con el paso 3.

SI... el motor no arranca después de 3 intentos: Oprima y mantenga el bloqueo de acelerador. Apriete y mantenga apretado el control del acelerador. Eche a andar el accesorio Speed Start™ por intervalos no mayores de 2 segundos cada vez hasta que la unidad arranque.

SI... el motor se para mientras se aprieta el control del acelerador, comience el procedimiento de arranque con el paso 3.

SI EL MOTOR ESTÁ CALIENTE... comience el procedimiento de arranque con el paso 3.

INSTRUCCIONES DE APAGADO

1. Suelte el control del regulador y deje que el motor trabaje en vacío.
2. Oprima y no suelte el interruptor de control de Encendido y Apagado en la posición **Apagado (O)** hasta que el motor se detenga por completo (Fig. 17).

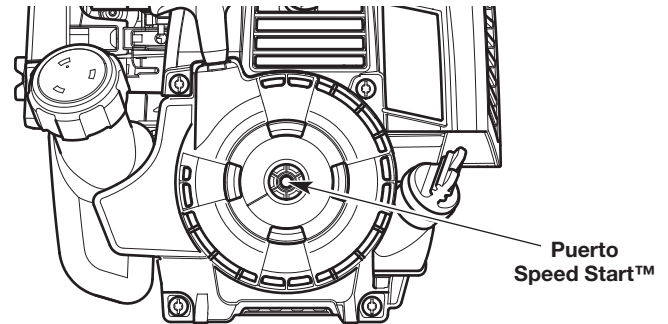


Fig. 20

CÓMO SOSTENER LA UNIDAD



ADVERTENCIA: Utilice siempre protección ocular, auditiva, de manos, pies y corporal para reducir el riesgo de sufrir lesiones durante la operación de esta unidad.



ADVERTENCIA: A fin de evitar lesiones personales graves, evite el contacto del brazo con el motor mientras opere la unidad. El motor puede estar muy caliente.

- Párese en la posición de arranque (Fig. 21). Párese derecho. No se incline sobre el aparato.
- Mantenga los pies alejados y apoyados firmemente sobre el suelo.
- Sujete la empuñadura del eje con la mano derecha. Mantenga el brazo derecho ligeramente doblado.
- Sostenga la manija con la mano izquierda. Mantenga el brazo izquierdo bien derecho.
- Mantenga la unidad al nivel de la cintura.
- Coloque el cabezal de corte a algunas pulgadas del suelo.



Fig. 21

AJUSTE DE LA LONGITUD DEL HILO DE RECORTE (CABEZAL DE IMPACTO)

El cabezal de corte se puede usar como cabezal de impacto o como cabezal de hilo fijo. Cuando se usa como cabezal de impacto, el hilo de recorte se puede liberar del cabezal de corte sin detener el motor. Antes de hacerlo, asegúrese de que el cabezal de corte esté cargado con hilo. Consulte *Reemplazo del Hilo de Recorte (Cabezal de Impacto)* en la sección *Mantenimiento*.

Para soltar más hilo, golpee suavemente la perilla de impacto contra el suelo (Fig. 22) mientras utiliza la unidad a alta velocidad. Para obtener los mejores resultados, golpee la perilla de impacto contra suelo descubierto o duro. Si se intenta soltar hilo en un lugar donde el césped está alto, se puede parar el motor.

NOTA: No apoye el cabezal de corte en el suelo mientras la unidad está en marcha.

Cada vez que se golpea la perilla de impacto, se suelta aproximadamente 1 pulgada (25.4 mm) de hilo de recorte.

NOTA: Siempre debe mantener el hilo de recorte completamente extendido.

Resulta más difícil soltar hilo cuando se acorta el hilo de corte. La cuchilla del protector del cabezal de corte corta el hilo a la longitud correcta si se suelta hilo excesivamente.



ADVERTENCIA: No extraiga ni modifique el conjunto de la cuchilla de corte del hilo. Si la longitud del hilo es excesiva, se sobrecalentará la unidad. Esto puede provocar lesiones personales graves o daños a la unidad.

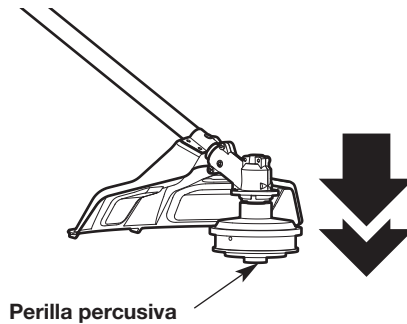


Fig. 22

CONSEJOS PARA OBTENER LOS MEJORES RESULTADOS

- Para alejar los recortes del operador, incline levemente el cabezal de corte hacia abajo a la derecha, corte de izquierda a derecha siempre que sea posible.
- No recorte césped o malezas que estén húmedos.

NOTA: El hilo puede romperse:

- Si se enreda con objetos extraños
- Por la fatiga normal del hilo
- Si se intenta cortar plantas gruesas
- Si se empuja el hilo contra objetos como paredes o cercas

RECORTE DECORATIVO

Cuando recorte alrededor de árboles, postes, vallas, etc., rote toda la unidad de manera que el cabezal de corte quede en un ángulo de 30° en relación con el suelo (Fig. 23).

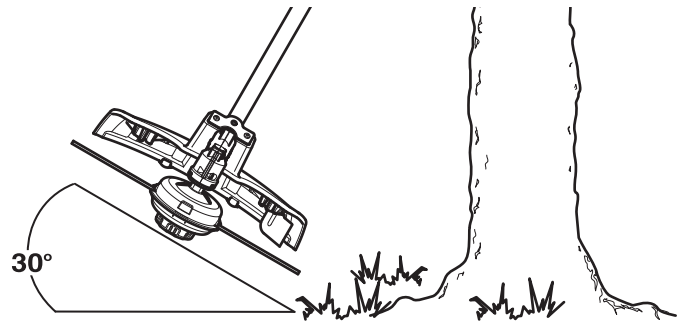


Fig. 23

BORDEADO

El accesorio de la recortadora puede ser utilizado para el bordeado (Fig. 24). De manera alternativa, también se pueden comprar un accesorio de bordeadora de césped con cuchillas para utilizar con esta unidad.

Rotación del accesorio de la recortadora



ADVERTENCIA: A fin de evitar lesiones personales graves y daños a la unidad, apague la unidad antes de rotar el accesorio.

Cuando bordeé alrededor de aceras, canteros, etc., rote el accesorio de la recortadora 90° dentro del acoplador. **NO** rote toda la unidad 90°.

1. Gire la perilla en el sentido contrario a las agujas del reloj para aflojar el acoplador (Fig. 25).
2. Oprima y mantenga apretado el botón de liberación (Fig. 25).
3. Rote el accesorio hasta que el botón de liberación entre a presión firmemente dentro del orificio de rebordes de 90° (Fig. 25).
4. Gire la perilla en el sentido de las agujas del reloj para apretar el acoplador (Fig. 25).



ADVERTENCIA: Solamente coloque a presión el botón de liberación dentro del orificio de rebordes de 90° cuando esté rebordeando con el accesorio de recorte. Si se utiliza este orificio de rebordes de 90° con otros accesorios, se podrían producir lesiones personales o daños a la unidad.



Fig. 24

Botón de liberación

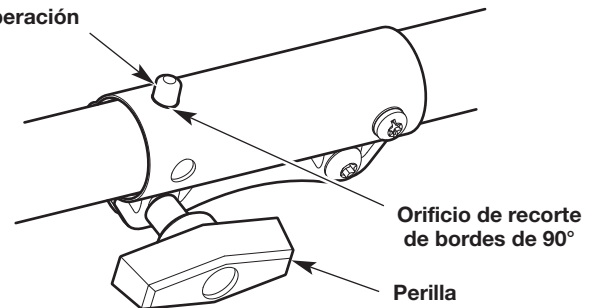


Fig. 25

Mantenimiento del hilo de recorte

Las superficies duras, tales como aceras pueden hacer que el hilo de recorte se desgaste rápidamente o se corte.

- **Cabezal de impacto:** Verifique con frecuencia y ajuste la longitud del hilo de recorte. Consulte la sección *Ajuste de longitud de hilo de recorte*. Siempre debe mantener el hilo de recorte completamente extendido.
- **Cabezal de hilo fijo:** Verifique con frecuencia la longitud del hilo de recorte. Reemplace el hilo de recorte según sea necesario. Consulte *Reemplazo del Hilo de Recorte*.
- **NO fuerce la unidad.** Realice cortes poco profundos en tantas pasadas como sea necesario para lograr la profundidad deseada. Corte a un ritmo lento, uniforme.



ADVERTENCIA: A fin de evitar lesiones personales graves, siempre pare el motor y deje que se enfríe antes de limpiar o mantener la unidad. No realice ninguna tarea de limpieza o mantenimiento mientras la unidad esté en funcionamiento. Desconecte el cable de la bujía para evitar que la unidad arranque accidentalmente.



ADVERTENCIA: Utilice vestimenta de protección y respete todas las instrucciones de seguridad para evitar que se produzcan lesiones personales graves.

PLAN DE MANTENIMIENTO

Lleve a cabo los procedimientos necesarios de mantenimiento con la frecuencia indicada en la tabla. Estos procedimientos deberán también formar parte de cualquier ajuste de temporada.

NOTA: Es posible que algunos procedimientos de mantenimiento requieran herramientas o habilidades especiales. Si tiene dudas en relación con estos procedimientos, lleve la unidad a Sears o a otro distribuidor de servicio calificado. Para más información, llame al **1-888-331-4569**.

NOTA: Es conveniente que el mantenimiento, reemplazo o reparación de los dispositivos y sistemas de control de emisiones se lleven a cabo en Sears u otro distribuidor de servicio calificado. Para más información, llame al **1-888-331-4569**.

NOTA: Para ver la lista completa de términos y la cobertura de los dispositivos de control de emisiones como parachispas, silenciador, carburador, etc., lea la declaración de California/EPA que viene junto con la unidad.

REEMPLAZO DEL HILO DE RECORTE (CABEZAL DE IMPACTO)

Use únicamente el hilo de recorte que se describe en la sección *Especificaciones*. Otros tipos de hilo de recorte pueden causar el recalentamiento o la falla de la unidad.



ADVERTENCIA: Nunca use un hilo, un cable, una cadena o una cuerda de metal reforzados. Podrían separarse y convertirse en proyectiles peligrosos.

NOTA: Utilice siempre la longitud de hilo correcta al instalar el hilo de recorte. Es posible que el hilo no se suelte adecuadamente si está demasiado largo.

NOTA: El cabezal de corte permanecerá conectado a la unidad.

NOTA: NO desmonte el cabezal de corte para instalar un hilo nuevo.

Instalación del hilo de recorte nuevo (Cabezal de impacto)

1. Si es necesario, extraiga el hilo de recorte viejo y/o las obstrucciones del cabezal de corte. Consulte *Extracción de hilo de recorte viejo y/u obstrucciones (Cabezal de impacto)*.
2. Corte dos largos de 10 pies (3.0 m) de hilo de recorte nuevo. Corte un extremo de cada hilo en un ángulo de 30° (Fig. 27).
3. Gire la perilla de impacto para alinear la marca de la perilla de impacto con la marca de la cubierta de la bobina (Fig. 26).
4. Enhebre uno de los hilos por uno de los ojales del cabezal de corte (Fig. 27). Utilice el extremo angulado y empuje el hilo para que entre unas 3 pulgadas (7.5 cm). Repita este proceso con el otro hilo y el ojal restante.
5. Gire la perilla de impacto para enrollar el hilo hasta que sobresalga aproximadamente 5 pulgadas (12.5 cm) de cada lado del cabezal de corte (Fig. 28).

NOTA: NO oprima la perilla de impacto mientras se enrolla el hilo. La perilla de corte gira para un solo lado, dependiendo del modelo de la unidad.

NOTA: Si queda muy poco hilo sobresaliendo, se podría retraer dentro del cabezal de corte.

FRECUENCIA	MANTENIMIENTO REQUERIDA
Cada 10 horas	<ul style="list-style-type: none"> • Limpie y vuelva a lubricar el filtro de aire. Consulte <i>Mantenimiento del filtro de aire</i>.
Después de las primeras 10 horas y a las 38 horas	<ul style="list-style-type: none"> • Cambie el aceite. Consulte <i>Cambio de aceite</i>. • Solicite a Sears u otro centro de servicio calificado que verifique la holgura del balancín. • Controle el estado y la separación de la bujía de encendido. Consulte <i>Mantenimiento de la bujía de encendido</i>.

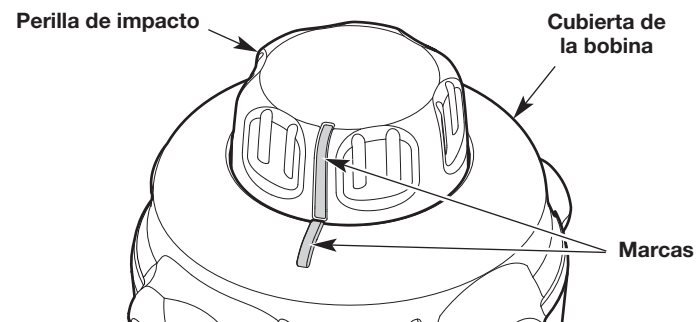


Fig. 26

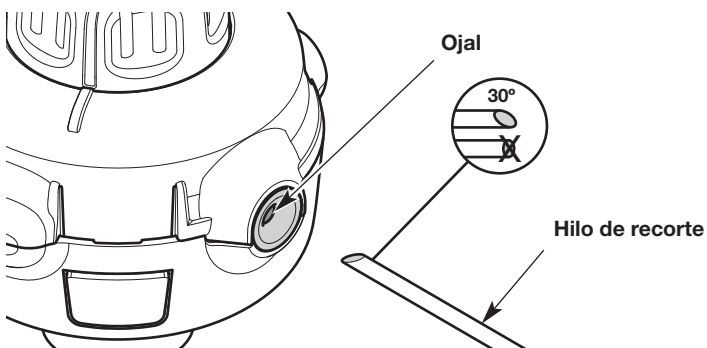


Fig. 27

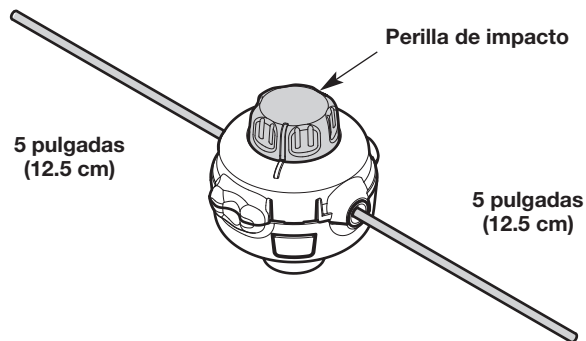


Fig. 28

Extracción de hilo de recorte viejo y obstrucciones (Cabezal de impacto)

1. Cuando el hilo de corte se acaba, el último trozo es expulsado automáticamente del cabezal de corte. Si no ocurre esto, presione hacia abajo la perilla de impacto y retire el resto del hilo del cabezal de corte.
2. Si el hilo no quiere salir o si el cabezal de corte está obstruido de otro modo:
 - a. Presione con firmeza una lengüeta del cabezal de corte con su pulgar (Fig. 29). **NO** presione la lengüeta con un destornillador u otro objeto.
 - b. Continúe presionando la lengüeta. Inserte un destornillador de cabeza plana dentro de la separación entre la bobina exterior y la lengüeta (Fig. 29).
 - c. Suavemente incline el destornillador para destrabar la lengüeta del orificio (Fig. 30).
 - d. Repita los pasos anteriores con la otra lengüeta.
 - e. Retire la cubierta de la bobina (Fig. 30). **NO** intente extraer ninguna otra pieza del cabezal de corte.
 - f. Extraiga el hilo de recorte viejo y/o las obstrucciones.
 - g. Utilice una tela limpia para limpiar el carrete interior, la bobina exterior y la cubierta de la bobina (Fig. 30).
 - h. Se deben alinear las lengüetas de la cubierta de la bobina con los orificios de la bobina exterior (Fig. 30). Oprima la cubierta de la bobina sobre la bobina exterior hasta que las lengüetas entren a presión firmemente en los orificios.

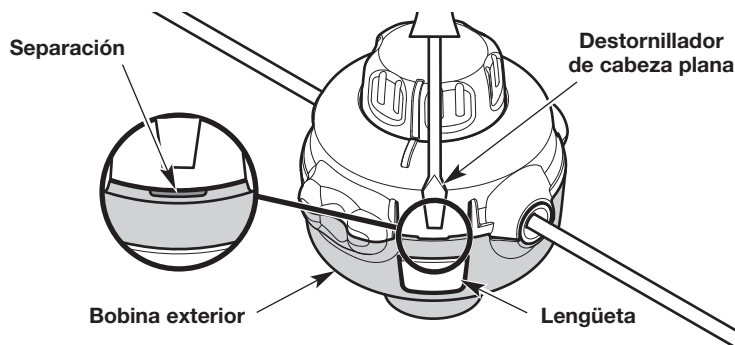


Fig. 29

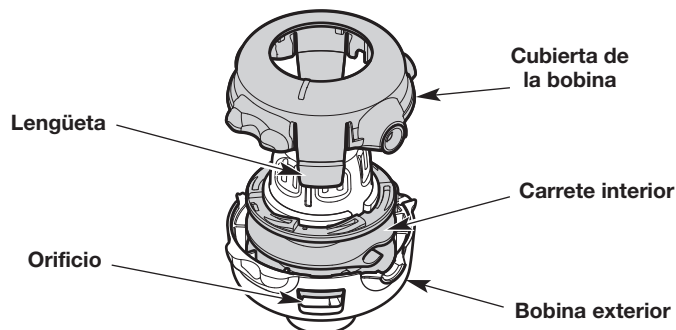


Fig. 30

CAMBIAR LA LÍNEA DE CORTE

Use solo la línea de corte indicada en la sección *Especificaciones*. Otros tipos de hilo de recorte pueden causar el recalentamiento o la falla de la unidad.



ADVERTENCIA: No use nunca la línea reforzada con metal, alambre, cadena o soga. Los mismos pueden desprenderse y convertirse en un proyectil peligroso.

NOTA: Cuando use la Línea Espiral Craftsman® Hassle Free™ XTRA QUIET, use la línea que mejor se ajuste al trabajo en cuestión. La línea de tamaño mediano (de color rojo) está concebida para el corte del césped y el desyerbe de malezas pequeñas. La línea de tamaño grande (de color negro) está diseñada para el cortar malezas más grandes y arbustos pequeños.

1. Retire el hilo viejo del cabezal de corte. Empuje un extremo del hilo de recorte dentro del cabezal de corte hasta que sobresalga un lazo de hilo del cabezal. Tire del lazo para extraer el hilo (Fig. 33).
2. Use una tela limpia para limpiar la superficie del cabezal de corte.
3. Inserte los extremos del nuevo hilo de recorte dentro de los orificios del cabezal de corte (Fig. 31). Empuje el hilo a través de los orificios hasta que los dos extremos sobresalgan de los ojales (Fig. 32).
4. Tire de los extremos del hilo hasta que quede tenso contra el cabezal de corte. Asegúrese de que los extremos del hilo sean de igual longitud (Fig. 33). Si un extremo es más largo que el otro, empuje el extremo más largo nuevamente a través del cabezal de corte parcialmente y tire del extremo más corto hacia afuera. De ser necesario, repita el proceso hasta que ambos extremos sean de igual longitud.
5. Presione el lazo expuesto del hilo de recorte hasta que esté ajustado contra el cabezal de corte (Fig. 33).

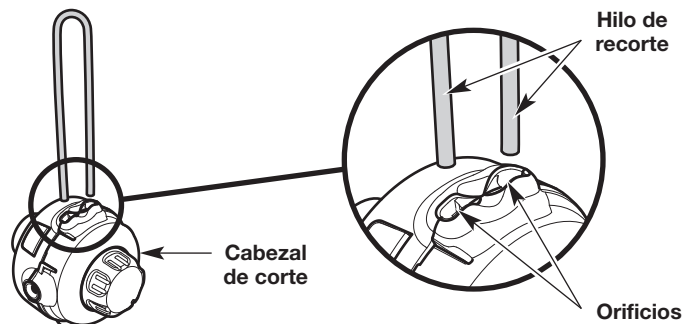


Fig. 31

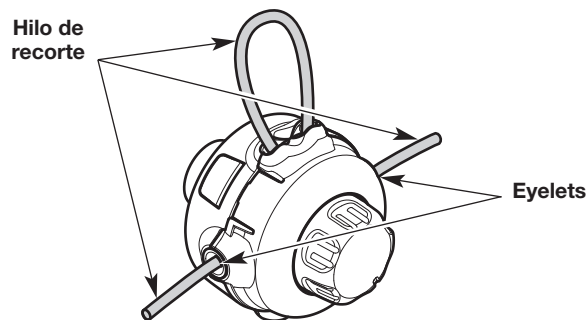


Fig. 32

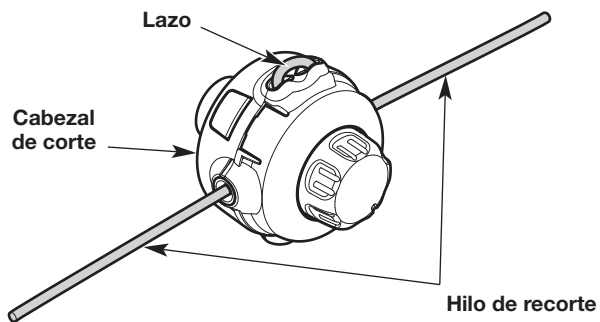


Fig. 33

CONTROL DEL NIVEL DE ACEITE



ADVERTENCIA: Controle el nivel de aceite antes de cada uso. No está de más insistir en la importancia de mantener el nivel de aceite adecuado.

Inspección del visor del nivel de aceite

1. Detenga el motor y deje que se enfríe.
2. **Ubique la unidad sobre una superficie plana y nivelada**, como un banco de trabajo o una mesa. El protector del cabezal de corte debe quedar colgando del borde de manera que el motor quede nivelado (Fig. 34).

NOTA: Si no se mantiene nivelado el motor se puede producir desborde de aceite.

3. Observe el interior del visor del nivel de aceite; use una linterna si es necesario. **El nivel de aceite debe llenar el visor hasta aproximadamente la mitad** (Fig. 35). Si el nivel de aceite es demasiado bajo, agregue aceite. Consulte *Procedimiento para agregar aceite*.

Procedimiento para agregar aceite

1. Limpie la zona que rodea el tapón de llenado de aceite (Fig. 35) a fin de evitar que ingresen residuos en el orificio de carga de aceite.
2. Desenrosque el tapón de llenado de aceite.
3. Agregue aceite al orificio de llenado de aceite hasta que el nivel de aceite llegue hasta aproximadamente la mitad del visor del nivel de aceite (Fig. 35).



ADVERTENCIA: NO llene en exceso el cárter. **SI SE LLENA EXCESIVAMENTE EL CÁRTER SE PUEDEN PRODUCIR LESIONES PERSONALES GRAVES.**

- Si el nivel de aceite es demasiado alto, incline la unidad y drene el exceso de aceite en un recipiente adecuado.
4. Limpie el aceite que se pueda haber derramado.
 5. Compruebe que la junta tórica esté en su lugar en el tapón de llenado de aceite (Fig. 35).
 6. Vuelva a instalar el tapón de llenado de aceite.

CAMBIO DE ACEITE

Cambie el aceite mientras el motor aún está caliente. El aceite fluirá libremente y arrastrará más impurezas.

1. Limpie la zona que rodea el tapón de llenado de aceite (Fig. 35) a fin de evitar que ingresen residuos en el orificio de carga de aceite.
2. Desenrosque el tapón de llenado de aceite.
3. Incline la unidad verticalmente para verter el aceite fuera del orificio de llenado de aceite y al interior del recipiente (Fig. 36). Deje bastante tiempo para que se drene completamente.

NOTA: Deseche el aceite viejo de acuerdo con las normativas federales, estatales y locales.

4. Limpie el aceite que se pueda haber derramado.
5. Vierta 2.37 onzas líquidas (70 ml) de aceite SAE 30 dentro del orificio de llenado de aceite.



ADVERTENCIA: NO llene en exceso el cárter. **SI SE LLENA EXCESIVAMENTE EL CÁRTER SE PUEDEN PRODUCIR LESIONES PERSONALES GRAVES.** Consulte *Control del nivel de aceite*.

6. Limpie el aceite que se pueda haber derramado.
7. Compruebe que la junta tórica esté en su lugar en el tapón de llenado de aceite (Fig. 35).
8. Vuelva a instalar el tapón de llenado de aceite.

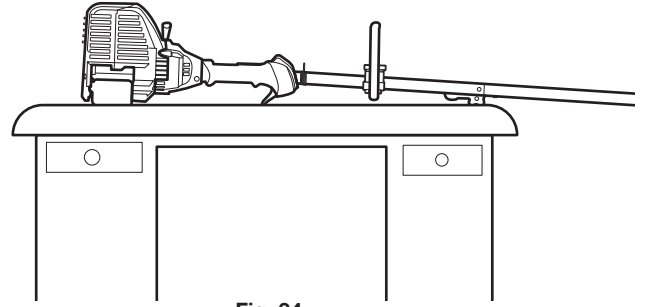


Fig. 34

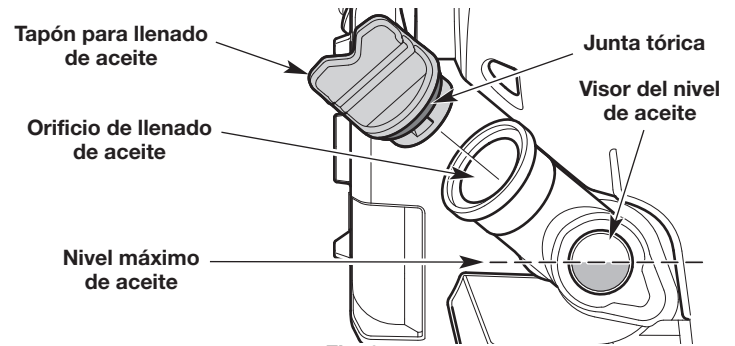


Fig. 35

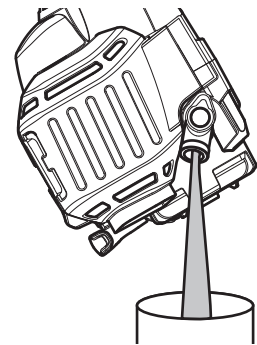


Fig. 36

MANTENIMIENTO DEL FILTRO DE AIRE

Si no se mantiene el filtro de aire se puede obtener un rendimiento insuficiente o se puede dañar el motor de manera permanente. Las averías del motor ocasionadas por un mantenimiento inadecuado del filtro de aire no están cubiertas por la garantía del producto.

Limpieza del filtro de aire

1. Desenrosque completamente el tornillo de la tapa. Gire la cubierta del filtro de aire hacia la derecha. Extraiga la tapa del filtro de aire del alojamiento de dicho filtro (Fig. 37).
2. Extraiga el filtro de aire de su alojamiento (Fig. 37).
3. Lave el filtro de aire con agua y detergente. Enjuague minuciosamente el filtro de aire y déjelo secar.
4. Cubra el filtro de aire con una capa ligera de aceite SAE 30 limpio.
5. Apriete el filtro de aire para distribuir y eliminar el exceso de aceite.
6. Vuelva a instalar el filtro de aire en su alojamiento (Fig. 37).

NOTA: Si se opera la unidad sin el filtro de aire y sin la cubierta del filtro de aire se ANULARÁ la garantía.

7. Inserte la lengüeta sobre la cubierta del filtro de aire dentro del orificio en el alojamiento del filtro de aire. Gire la cubierta del filtro de aire hacia la izquierda. Oprima la tapa del filtro de aire nuevamente en el alojamiento de dicho filtro. Inserte el tornillo de la tapa dentro de la tapa del filtro de aire. Apriete el tornillo de la tapa para sujetar dicha tapa (Fig. 37).

NOTA: No apriete demasiado ya que se puede dañar la rosca del tornillo.

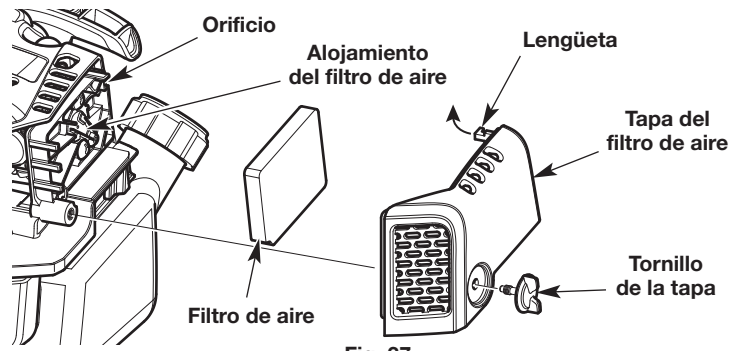


Fig. 37

AJUSTE DE LA VELOCIDAD DE RALENTÍ



ADVERTENCIA: El cabezal de corte puede girar durante los ajustes de la velocidad de ralentí. Utilice vestimenta de protección y respete todas las instrucciones de seguridad para evitar que se produzcan lesiones personales graves.

Si el motor no funciona al ralentí correctamente:

1. Arranque el motor. Consulte *Arranque y Parada*.
2. Suelte el control del acelerador y deje que el motor funcione en ralentí.
 - Si el motor se para, aumente la velocidad de ralentí. Use un destornillador Phillips pequeño para girar el tornillo de velocidad de ralentí en el sentido de las agujas del reloj, 1/8 de giro cada vez hasta que el motor funciona al ralentí de manera uniforme (Fig. 38).
 - Si el cabezal de corte gira cuando el motor funciona al ralentí, reduzca la velocidad de ralentí. Gire el tornillo de velocidad de ralentí en el sentido contrario de las agujas del reloj, 1/8 de giro cada vez, hasta que se detenga el cabezal de corte (Fig. 38).

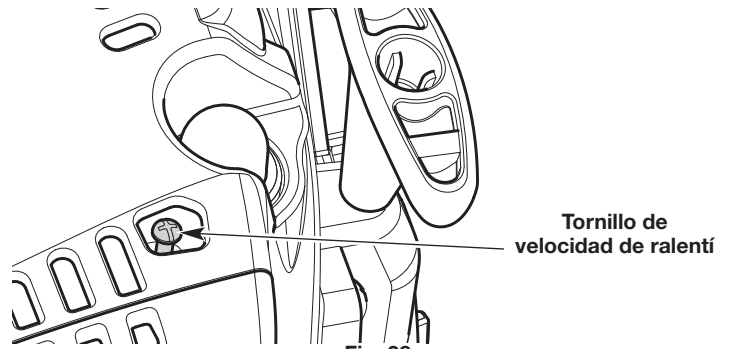


Fig. 38

MANTENIMIENTO DE LA BUJÍA

1. Detenga el motor y déjelo enfriar. Agarre firmemente la pipa (capucha) y sáquela de la bujía.
2. Limpie alrededor de la bujía. Saque la bujía de la culata girándola en sentido contrario a la agujas del reloj con una llave de bujía de 5/8 de pulgada.



ADVERTENCIA: No sople, raspe ni limpie los electrodos con arena. La arenisca en el motor podría dañar el cilindro.

3. Inspeccione la bujía. Si la bujía de encendido está rajada, corroída o sucia, reemplácela con una pieza de repuesto #753-05784, **Champion RDZ4H** o una bujía equivalente.
4. Use un calibrador de hoja para ajustar abertura de la bujía a **0.025 pulgadas (0.635 mm)** (Fig. 39).
5. Instale la bujía en la culata del motor. Apriete la bujía en el sentido de las agujas del reloj con una llave de bujía de 5/8 hasta ajustarla.

- NOTA:** Si usa una llave dinamométrica, use un par de torsión de: **110-120 pulgada•libra (12.3-13.5 N•m). No apriete demasiado.**
6. Vuelva a ponerle la pipa (capucha).

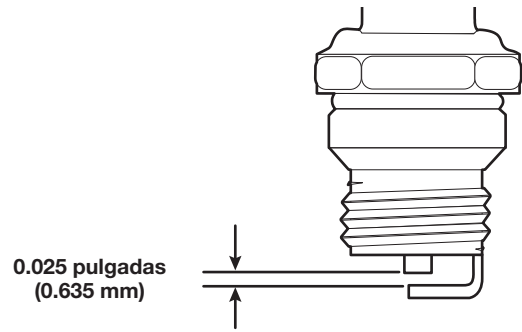


Fig. 39

LIMPIEZA Y ALMACENAMIENTO

LIMPIEZA



ADVERTENCIA: A fin de evitar lesiones personales graves, siempre pare el motor y deje que se enfríe antes de limpiar o mantener la unidad.

Use un cepillo pequeño para limpiar el exterior de la unidad. No utilice detergentes fuertes. Los productos de limpieza para el hogar que contienen aceites aromáticos como pino y limón, y los disolventes como el queroseno, pueden dañar el plástico. Limpie todo rastro de humedad con una tela suave.

ALMACENAMIENTO

- Nunca almacene la unidad con combustible en lugares donde las emanaciones pueden alcanzar llamas abiertas o chispas.
- Deje que se enfríe el motor antes de almacenar la unidad.
- Trabe la unidad para evitar que se la utilice sin permiso o que se provoquen daños.
- Almacene la unidad en una zona seca y bien ventilada.
- Almacene la unidad lejos del alcance de los niños.
- Para suspender el accesorio de un gancho, instale la tapa de suspensión sobre el accesorio. Asegúrese de que el botón de liberación esté firmemente trabado dentro de uno de los orificios de la tapa de suspensión.

Almacenamiento a corto plazo (1-2 semanas)

1. Almacene la unidad en posición horizontal. Si esto no es posible, almacene la unidad de manera vertical con el motor arriba.

Almacenamiento a largo plazo

1. Retire la tapa de combustible, incline la unidad y drene el combustible en un recipiente aprobado. Vuelva a colocar la tapa del combustible.
2. Arranque el motor y déjelo correr hasta que se detenga. Esto asegura que todo el combustible se haya drenado del carburador.
3. Espere a que el motor se enfríe. Quítele la bujía y eche 5 gotas de cualquier aceite de motor de alta calidad en el cilindro. Tire despacio de la cuerda de arranque para distribuir el aceite. Vuelva a poner la bujía.
4. Limpie minuciosamente la unidad e inspeccione si hay alguna pieza suelta o dañada. Repare o reemplace las piezas dañadas y ajuste los tornillos, tuercas o pernos que estén flojos.

Preparación de la unidad para su uso luego del almacenamiento a largo plazo

1. Retire la bujía de encendido. Incline la unidad para drenar todo el aceite del cilindro en un recipiente adecuado. Coloque nuevamente la bujía.
2. Cambie el aceite. Consulte la sección *Cómo cambiar el aceite*.

NOTA: No use combustible que haya estado guardado durante más de 30 días. Deseche el combustible viejo y aceite de acuerdo con las normativas federales, estatales y locales.

SOLUCIÓN DE PROBLEMAS

PROBLEMA	SOLUCIÓN
EL MOTOR NO ARRANCA	
El depósito de combustible está vacío	Llene el depósito de combustible con combustible nuevo
El bulbo del cebador no se presionó lo suficiente	Oprima el bulbo del cebador 10 veces
El combustible está viejo (más de 30 días)	Drene el depósito de combustible y agregue combustible nuevo
La bujía está averiada	Vuelva a colocar la bujía
EL MOTOR NO FUNCIONA AL RALENTÍ	
El filtro de aire está sucio	Limpie o reemplace el filtro de aire
El combustible está viejo (más de 30 días)	Drene el depósito de combustible y agregue combustible nuevo
La velocidad de ralentí es incorrecta	Ajuste la velocidad de ralentí
EL MOTOR NO ACELERA	
El combustible está viejo (más de 30 días)	Drene el depósito de combustible y agregue combustible nuevo
El cabezal de corte tiene césped atascado	Pare el motor y limpie el cabezal de corte
El filtro de aire está sucio	Limpie o reemplace el filtro de aire
AL MOTOR LE FALTA POTENCIA O SE PARA	
El combustible está viejo (más de 30 días)	Drene el depósito de combustible y agregue combustible nuevo
El filtro de aire está sucio	Limpie o reemplace el filtro de aire
La bujía está averiada	Vuelva a colocar la bujía
EL CABEZAL DE CORTE NO HACE AVANZAR EL HILO (CABEZAL DE IMPACTO)	
El cabezal de corte tiene césped atascado	Pare el motor y limpie el cabezal de corte
El cabezal de corte está desalineado	Recargue hilo nuevo en el cabezal de corte
El carretel interior se traba	Rebobine el hilo
El cabezal de corte está sucio	Limpie el carrete interior y la bobina exterior
El hilo está soldado	Abra el cabezal de corte y extraiga la sección que se haya soldado
El hilo está torcido	Rebobine el hilo
No se extiende hilo suficiente	Pare la unidad, oprima la perilla de impacto y tire del hilo hasta que salgan 4 pulgadas (102 mm) fuera del cabezal de corte
EL HILO DE CORTE AVANZA SIN CONTROL (CABEZAL DE IMPACTO)	
Hay aceite, producto de limpieza o lubricante en el cabezal de corte	Limpie y seque completamente el cabezal de corte

Si necesita asistencia adicional, lleve la unidad a Sears o a otro distribuidor de servicio calificado.

