

ZLINE



# MONUMENT DISHWASHER

---

Installation Guide  
and Users Manual



**ZLINE**  
Designed in  
LAKE TAHOE, USA




SCAN ME

## REGISTERING YOUR PRODUCT

Please register your ZLINE appliance. Begin the simple registration process by scanning the QR code.

By registering your appliance, you will have easy and accurate access to:

- Technical Support
- Warranty Service
- Tracking your support inquiries

 **WARNING:** This product can expose you to chemicals including nickel, which is known to the State of California to cause cancer. For more information, go to [www.P65Warnings.ca.gov](http://www.P65Warnings.ca.gov).



# ATTAINABLE LUXURY<sup>®</sup>

ZLINE Kitchen and Bath provides Attainable Luxury, where the kitchen and bath of your dreams is never out of reach. Through our unique designs and unparalleled quality, we're dedicated to providing you an elevated experience in the heart of your home. With an endless selection of features and finishes, our inspiration is your reality.

ZLINE is fueled by a passion for innovation; A relentless pursuit of bringing the highest end luxury designs and professional features into everyone's homes. Because we continually strive to improve our products, we may change specifications and designs without prior notice.

# WARRANTY

## COVERAGE

ZLINE Kitchen and Bath dishwasher parts will be warranted for one year from the original purchase date for the original purchaser of the product.

## TERMS

This warranty applies only to the original purchaser of the product installed for normal residential use. This is defined as a single-family, residential dwelling in a non-commercial setting. Commercial settings include but are not limited to: schools, churches, hotels, restaurants, vacation rentals such as Airbnb, day care centers, private clubs, fire stations, common areas in multi-family dwellings, nursing homes, food service locations, and institutional food service locations such as hospitals or correction facilities. This warranty is non-transferable and will not be extended based on the date of installation. The warranty applies only to products installed in the continental United States and the District of Columbia. Warranty shall not apply and ZLINE Kitchen and Bath is not responsible for damage resulting from negligence, improper maintenance, misuse, abuse, alteration of or tampering with the appliance, accident, natural disaster, improper electric supply, unauthorized service or repair, improper installation, or installation not in accordance with the instructions contained in the manual or the local codes.

## WHAT IS NOT COVERED

1. Installation or start-up damages or problems caused by improper installation or use.
2. Damage related to unauthorized service or unauthorized parts.
3. Installation in any commercial or non-residential application.
4. Aesthetic damage, scratches, or natural wear caused by normal use.
5. Second-hand, open box products, or products purchased from an unauthorized retailer.

# TABLE OF CONTENTS

GENERAL SAFETY INSTRUCTIONS	1
BEFORE INSTALLATION	3
INSTALLATION	12
OPERATIONAL SAFETY INSTRUCTIONS	34
OPERATION	37
MAINTENANCE AND CLEANING	51
TROUBLESHOOTING	56

# IMPORTANT SAFETY INSTRUCTIONS



CAUTION  
RISK OF ELECTRIC SHOCK  
DO NOT OPEN



This symbol indicates that dangerous voltage constituting a risk of electric shock is present within your refrigerator.



This symbol indicates that there are important operating and maintenance instructions in the literature accompanying your refrigerator.

## BEFORE YOU BEGIN

Read these instructions completely and carefully.

## IMPORTANT

- Observe all governing codes and ordinances.
- Note to Installer – Be sure to leave these instructions for the consumer's and local inspector's use.
- Note to Consumer – Keep these instructions with your User Guide for future reference.
- Skill Level – Installation of this dishwasher requires basic mechanical and electrical skills. Proper installation is the responsibility of the installer. Product failure due to improper installation is not covered under the appliance warranty.
- Completion Time – One to three hours. New installations require more time than replacement installations.

## IMPORTANT

- The dishwasher **MUST** be installed to allow for future removal from the enclosure if service is required.
- If you received a damaged dishwasher, you should immediately call customer service.

# IMPORTANT SAFETY INSTRUCTIONS

## FOR YOUR SAFETY

Read and observe all CAUTIONS and WARNINGS shown throughout these instructions. While performing installations described in this booklet, gloves and safety glasses or goggles should be worn.

## WARNING

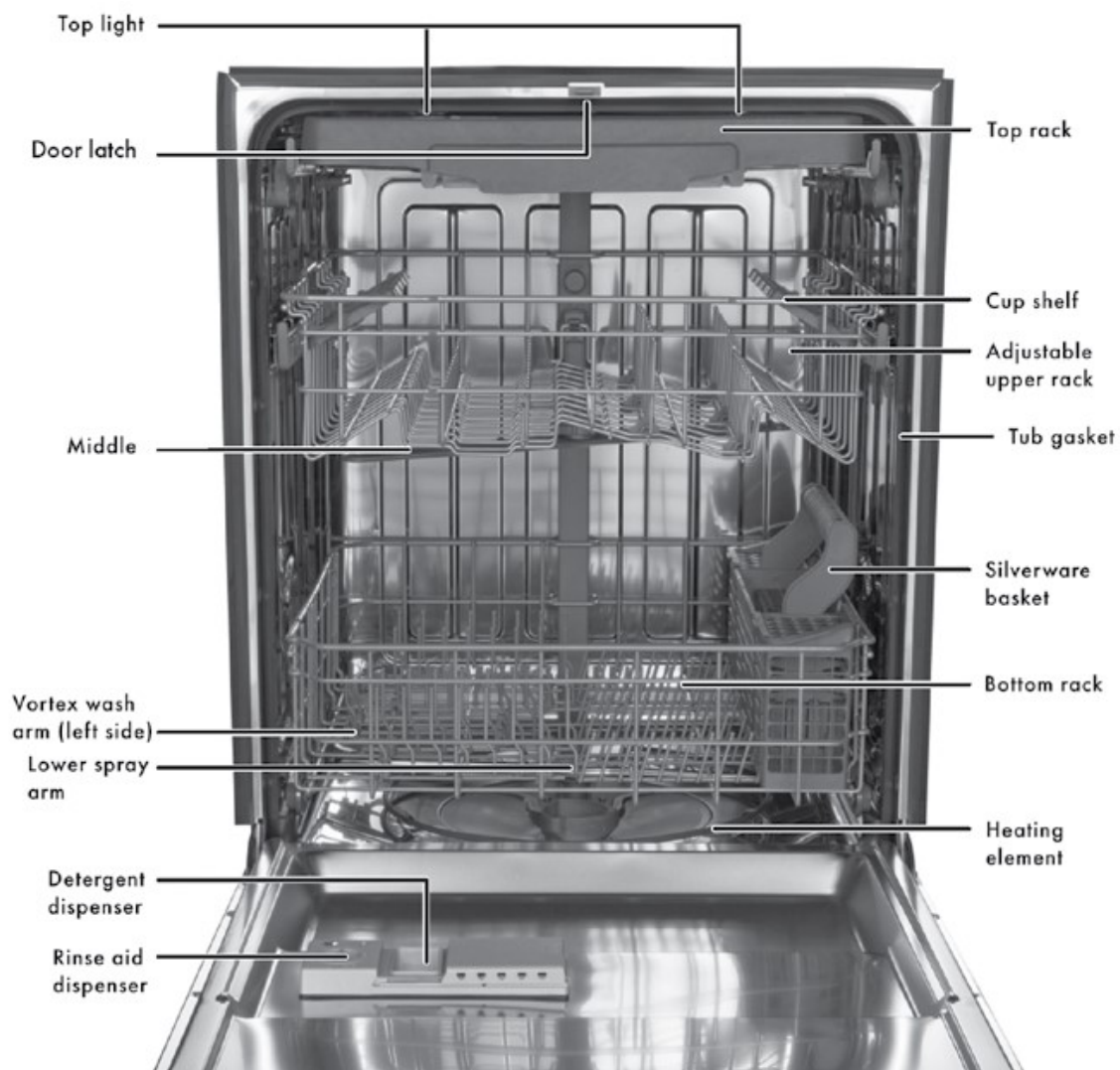
This dishwasher comes with a heating element to heat the water. To avoid the risk of a serious burn, don't touch the heating element when the dishwasher is on.



**WARNING**

To reduce the risk of electrical shock, fire, or injury to persons, the installer must ensure that the dishwasher is completely enclosed at the time of installation.

SPECIFICATIONS	
Dimensions (W x D x H)	<ul style="list-style-type: none"> <li>Unit with decorated door and handle: 23.9 x 26.5 x 33.7 in.</li> <li>Unit without decorated door and handle: 23.9 x 24 x 33.7 in.</li> </ul>



# BEFORE INSTALLATION

## PACKAGE CONTENTS

- Dishwasher
- Hose
- Installation Kits
- User Guide
- Installation Guide

If you have an installation problem, contact your dealer or installer. You are responsible for providing adequate electrical, exhausting, and other connecting facilities.

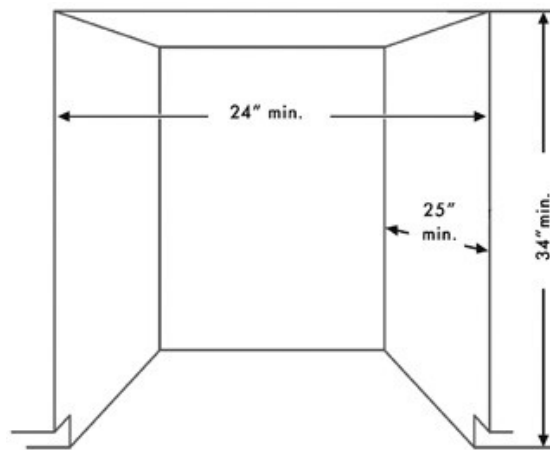
## PREPARING TO INSTALL YOUR DISHWASHER

PARTS SUPPLIED	
<ul style="list-style-type: none"><li>• Screws A - #8, 3/4", Flat Head sheet Metal Screw (4)</li><li>• Screws B - #8, 1/2", Flat Head Sheet Metal Screw (8)</li><li>• Screws C - #6, 7/8", Flat Head Sheet Metal Screw (2)</li><li>• Screws D - #6, 1 3/4", Flat Head Sheet Metal Screw (4)</li></ul>	<ul style="list-style-type: none"><li>• Top mounting clips (2)</li><li>• Hose clamp</li><li>• Drain hose</li><li>• Brackets (2)</li><li>• Top Hook Mounting Seats (2)</li></ul>
TOOLS NEEDED	
<ul style="list-style-type: none"><li>• Phillips screwdriver</li><li>• 1/4" and 5/16" nut driver</li><li>• Level</li><li>• Flashlight</li><li>• Gloves</li><li>• Bucket</li><li>• Adjustable wrench</li><li>• Carpenters square</li><li>• Measuring tape</li><li>• Safety glasses</li></ul>	
MATERIALS NEEDED (KIT PURCHASE SEPARATELY)	
<ul style="list-style-type: none"><li>• 90° Elbow, ferrule and compression nut. (3/8" NPT external thread on one end. Other end sized to fit water supply line)</li><li>• Teflon thread seal tape</li><li>• Three wire nuts (UL listed) (two included in kit)</li></ul>	
Not included in kit	
<ul style="list-style-type: none"><li>• Hand shut-off valve</li><li>• Waste tee for house plumbing (if applicable)</li><li>• Screw-type hose clamps</li><li>• Coupler for extending drain line (if applicable)</li><li>• Air gap (if required)</li></ul>	

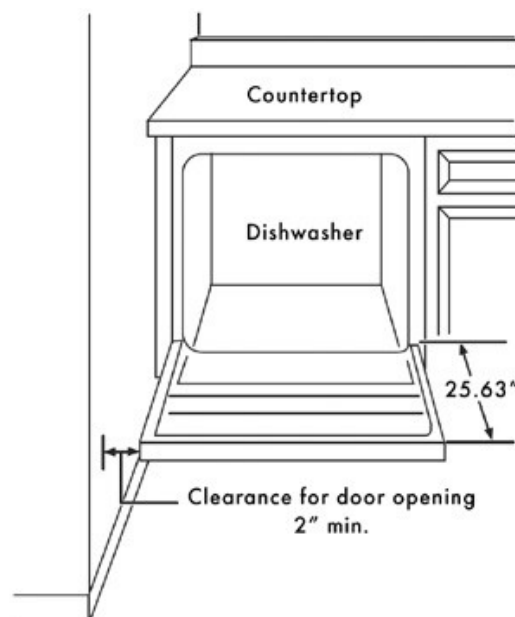
# BEFORE INSTALLATION

## ENCLOSURE REQUIREMENTS

- The dishwasher must be installed so that the drain hose is no more than 10 ft. in length, for proper drainage.
- This dishwasher is designed to be enclosed on the top and on both sides by a standard residential kitchen cabinet unit.
- The installation enclosure must be clean and free of any obstructions.
- The enclosure must be at least 24 in. wide, 25 in. deep, and 34 in. high.
- For the front door of the dishwasher to be flush with the front edge of the counter top, the counter top must be 25 in. deep.



If installing into a corner, allow 2 in. min. clearance between dishwasher and adjacent cabinet, wall, or other appliances. Allow 25.63 in. min. clearance from the front of the dishwasher for opening the door.



# BEFORE INSTALLATION

## DRAIN REQUIREMENTS

- Follow all local codes and ordinances.
- Do not exceed 10 ft. of drain hose.
- Do not connect the drain lines from other devices to the dishwasher drain hose.
- The dishwasher must be connected to a waste line with an air gap (not provided) or a 32 in. high (min.) drain loop, depending on local codes and ordinances, to prevent back flow into the dishwasher.
- An air gap must be used if the waste tee or garbage disposal connection is less than 18 in. above the floor, to prevent siphoning.

# BEFORE INSTALLATION

## DRAIN PREPARATION

The type of drain installation required depends on the answers to the following questions:

- Do local codes or ordinances require an air gap?
- Will the waste tee or garbage disposal connection be less than 18 in. above the floor?
- Will installation have a drain loop less than 32 in. above the floor?

If the answer to ANY of these questions is YES, Method 1 MUST be used. Otherwise, either Method 1 or Method 2 may be used.



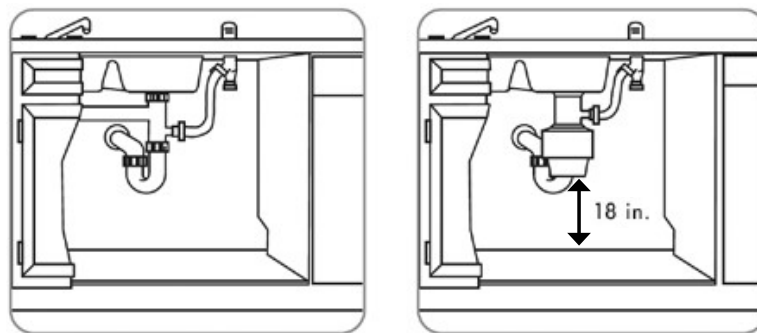
**WARNING**

An air gap MUST BE USED if the drain hose is connected to a waste tee or garbage disposal lower than 18 in. above the floor.

Failure to provide the proper drain connection height with an air gap or 32 in. (min.) high drain loop will result in improper draining of the dishwasher.

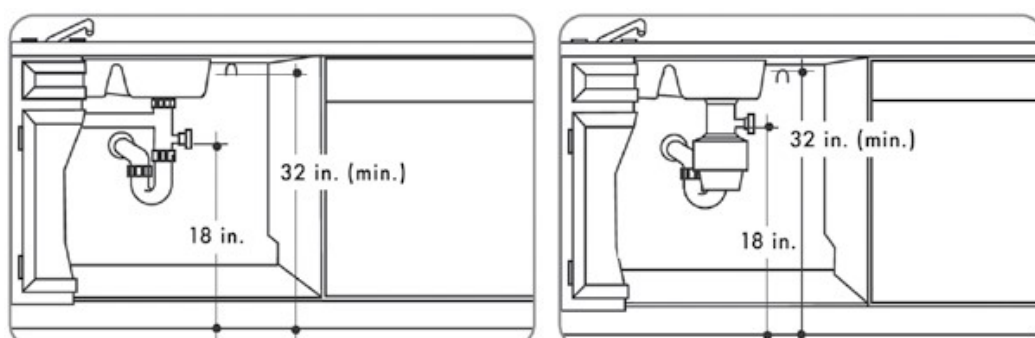
Install the waste tee or garbage disposal connection and air gap according to manufacturer's instructions.

### Method 1 - Air gap with a waste tee or garbage disposal connection



### Method 2 - High drain with a waste tee or garbage disposal connection

You must provide a method to attach the drain hose to the underside of the countertop.



# BEFORE INSTALLATION

## ELECTRICAL REQUIREMENTS

- This appliance must be supplied with 120V, 60 Hz, and it must be connected to its own, properly grounded branch circuit that is protected by a 15 or 20 ampere circuit breaker or time delay fuse.
- Wiring must be two wire with ground.
- If the electrical supply does not meet the above requirements, call a licensed electrician before proceeding.



**WARNING**

Remove the house fuse or open the circuit breaker before beginning the installation. Do not use an extension cord or adapter plug with this appliance.

SPECIFICATIONS	
Power requirements	120 V~60 Hz
Current	8.4 A
Water pressure	Between 20 and 120 psi
Noise (dB)	45 dB

# BEFORE INSTALLATION

## GROUNDING INSTRUCTIONS

### Grounding Instructions – Cable Direct

This appliance must be connected to a grounded metal, permanent wiring system, or an equipment grounding conductor must be run with the circuit conductors and be connected to the equipment grounding terminal or lead on the appliance.

### Grounding Instructions – Power Cord Models

This appliance must be grounded. In the event of a malfunction or breakdown, grounding will reduce the risk of electrical shock by providing a path of least resistance for electric current. The plug must be plugged into an appropriate outlet that is installed and grounded in accordance with local codes and ordinances.



The improper connection of the equipment grounding conductor can result in a risk of electric shock. Check with a qualified electrician or service representative if you are in doubt that the appliance is properly grounded.

### Direct Wire Method

- The cable must be routed as shown in “Cabinet Preparation and Wire Routing” on page 9, and extend a minimum of 24 in. from the rear wall.
- Use flexible, armored, or nonmetallic sheathed, copper wire with grounding wire that meets the wiring requirements for your home and local codes and ordinances.
- Use a UL Listed/CSA Approved strain relief.

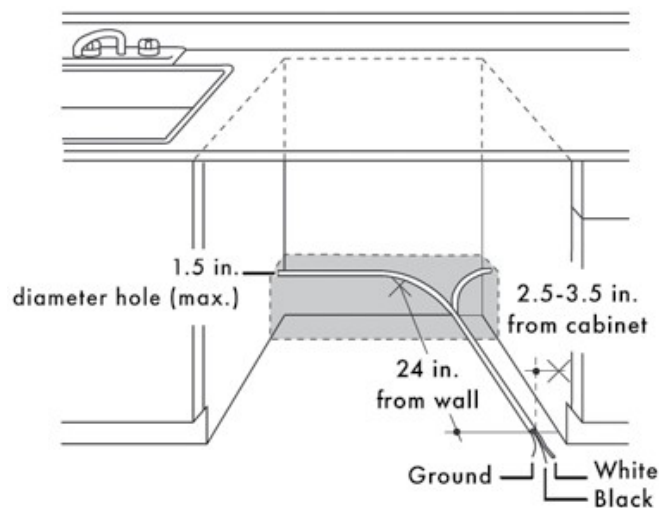
### Power Cord Method

- Install a 3-prong grounding type receptacle. The wall outlet can be installed in a cabinet or on a wall adjacent to the undercounter space in which the dishwasher is to be installed.
- Use power cord kit (part number 5304504505) under Smart Choice brand marked with Dishwasher Install Kit With Power Cord, available for purchase from an authorized store. The power cord and connections must comply with local codes and ordinances.
- The recommended power cord length is 54 in. min. and 64 in. max.

# BEFORE INSTALLATION

## CABINET PREPARATION AND WIRE ROUTING

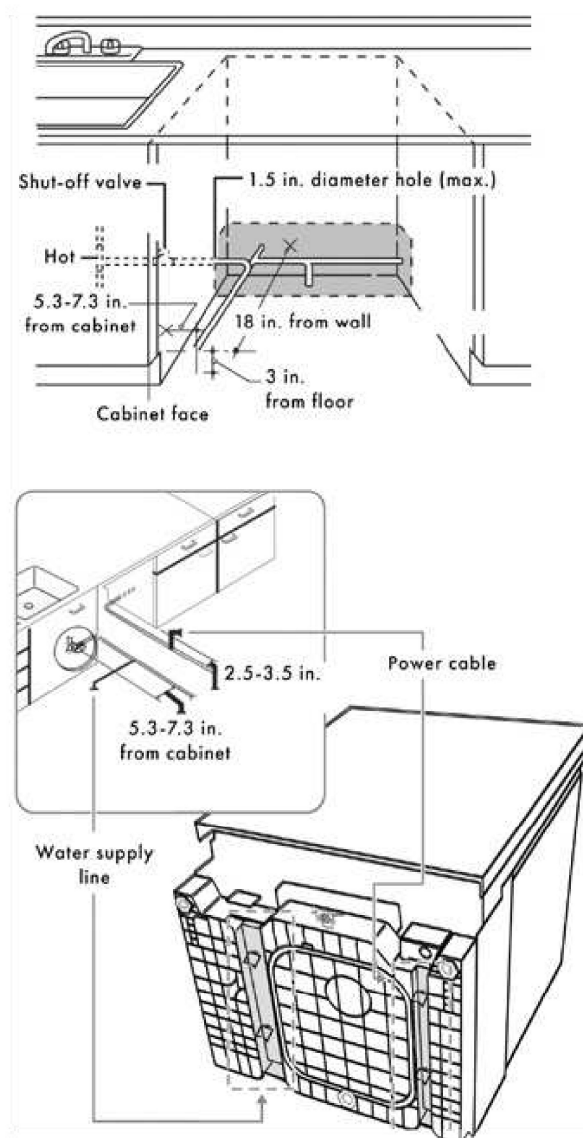
- The wiring may enter the opening from either side, the rear, or the floor within the shaded area.
- The electrical connection is on the front right of the dishwasher.
- Drill a 1.5 in. maximum diameter hole to run the electrical cable through the wall of the cabinet.
- The hole must be free of sharp edges. If the cabinet wall is metal, the hole edge must be covered with a bushing or rubber grommet.
- Cable direct connections may pass through the same hole as the drain hose and hot water line, but power cords with plugs must pass through a separate hole.



# BEFORE INSTALLATION

## PREPARING THE HOT WATER LINE

- The water connection is on the left side of dishwasher.
- The hot water line may enter the opening from either side, the rear, or the floor within the shaded area.
- The hot water line may pass through the same hole as the electrical and drain hose. Or, you can drill an additional 1.5 in. maximum diameter hole for the hot water line.
- If a power cord with a plug is used, the hot water line may not pass through the same hole as the power cord.



# BEFORE INSTALLATION

## CONNECTING THE WATER LINE TO THE WATER SUPPLY

1. Turn off the water supply.
2. Install a hand shut-off valve in an accessible location, such as under the sink. This is optional, but strongly recommended, and may be required by local codes.
3. Install the hot water inlet line, using at least 3/8" tubing. Route the line as shown in the figure above and extend it forward at least 18 in. from the rear wall of the enclosure.
4. Adjust the water heater to a temperature of 120° F to 150° F.
5. Flush the water line to clean out any debris.

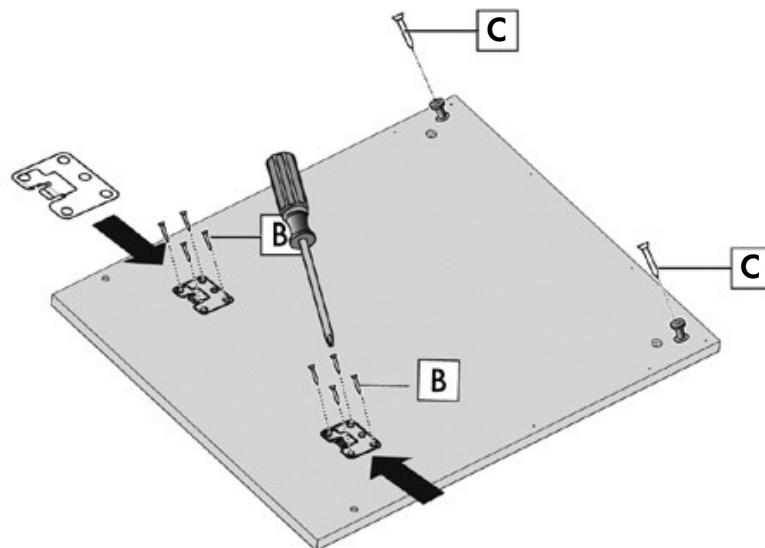
**Note:** The hot water pressure must be between 20 and 120 psi (138 and 827 kPa).

# INSTALLATION

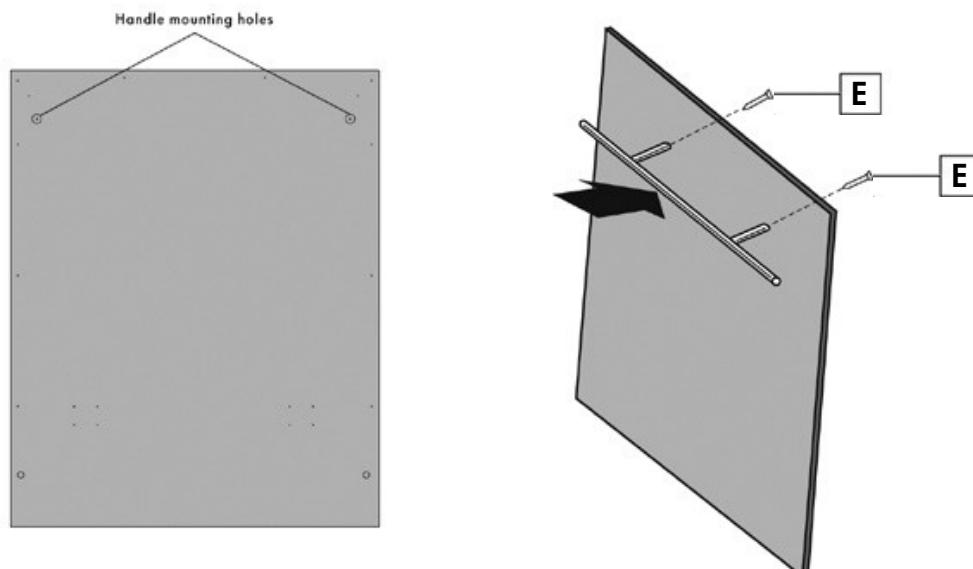
YOU'LL NEED	
<ul style="list-style-type: none"> <li>• Phillips screwdriver</li> <li>• 1/4" and 5/16" nut driver</li> <li>• Screws B - ST4 X 14 (8)</li> <li>• Screws C - ST3.5 X 25 (2)</li> </ul>	<ul style="list-style-type: none"> <li>• Screws D - ST3.5 X 45 (4)</li> <li>• Brackets (2)</li> <li>• Top Hook Mounting Seats (2)</li> <li>• Screws E - 5mm x 80 pitch, Metric Screw (2)</li> </ul>

## STEP 1: INSTALL THE DECORATION DOOR TO THE OUTER DOOR OF THE DISHWASHER

1. Install the hook and brackets on the decoration door.

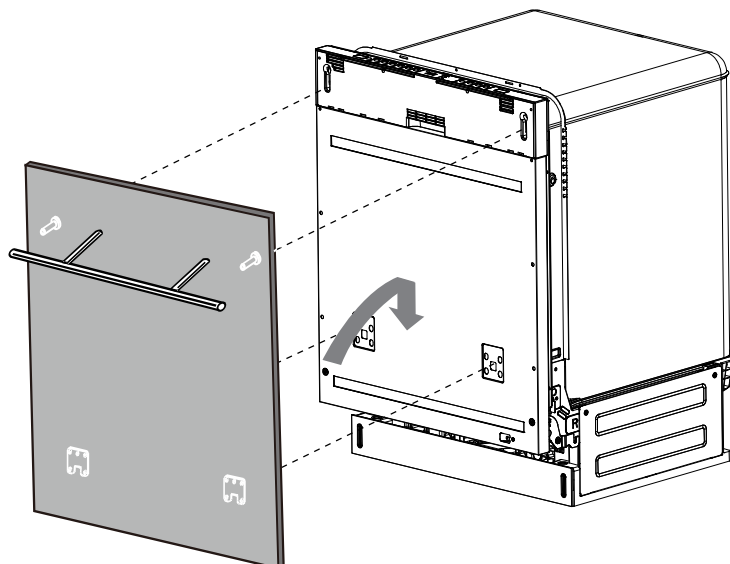


2. Install the handle to the outer door.



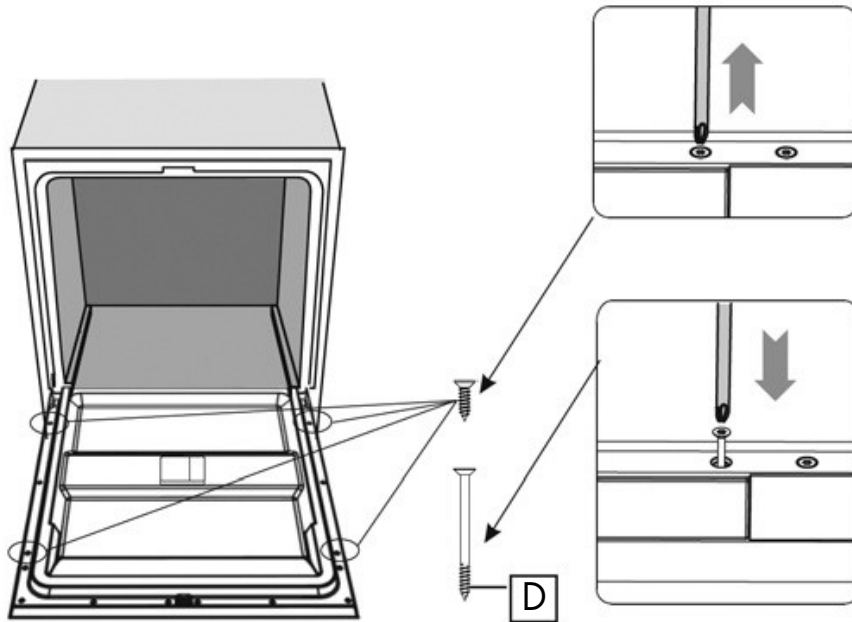
# INSTALLATION

3. Put the hook into the slot of the outer door for the positioning.



# INSTALLATION

4. Fix the decoration door onto the outer door by screws.



# INSTALLATION

## STEP 2: CHECK THE DOOR BALANCE

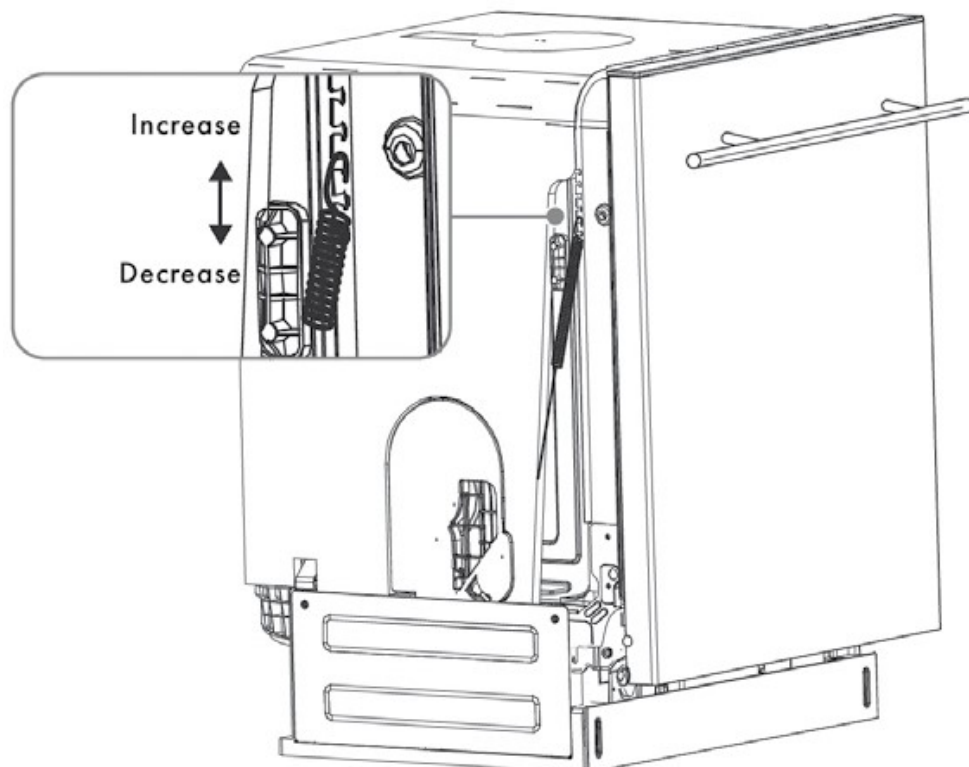


Opening the door of your dishwasher before it is installed will cause it to tip forward. Do not open the door until you are ready to install your dishwasher.

If it is necessary to open the door, hold the top of the dishwasher securely with one hand and hold the door with the other hand.

1. Hold the top of the dishwasher firmly.
2. Open the door slowly, then release it. If the door drops, increase the spring tension. If the door closes, decrease the spring tension.
3. Continue moving the spring pin until the door is balanced. Adjust both springs to the same tension.

**Note:** If you choose the wood decoration door (about 8 lbs), you can choose the fifth groove from the top groove. If you choose the metal decoration door (about 17 lbs), you need fix the springs to the third groove in the same method.



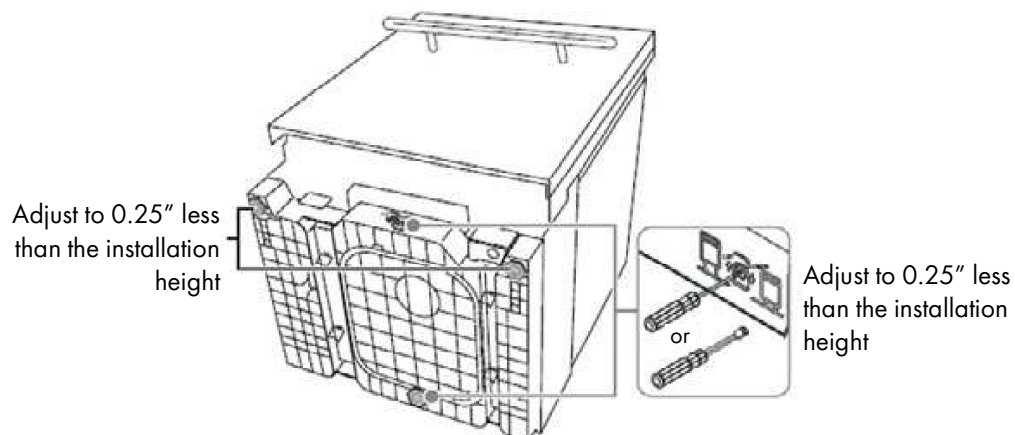
# INSTALLATION

## STEP 3: ADJUST THE LEVELING LEGS

1. Move the dishwasher close to the installation location and lay it on its back.

**Note:** Make sure that the leveling feet are tightened all the way or removed if trying to tilt the dishwasher.

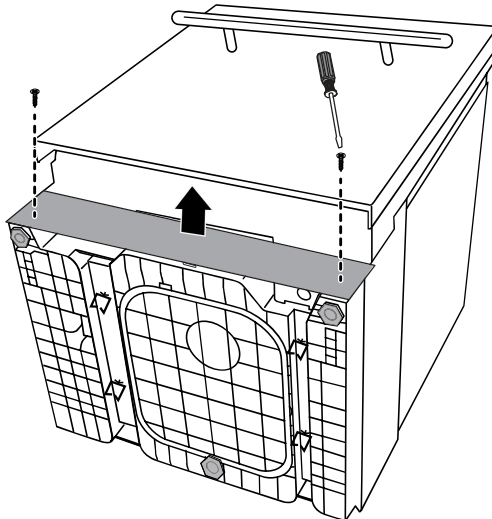
2. Measure the installation height and the dishwasher height.
3. Extend the leveling legs out from the dishwasher base .25 in. less than the installation height.



# INSTALLATION

## STEP 4: REMOVE THE KICK PLATE

1. Remove the two kick plate screws with a Phillips screwdriver, then remove the kick plate.



### YOU'LL NEED

- |  |  |
|--|--|
| <ul style="list-style-type: none"><li>• Adjustable wrench</li><li>• Philips screwdriver</li><li>• Power cord</li></ul> | <ul style="list-style-type: none"><li>• Phillips screwdriver</li><li>• Strain relief (for electrical connection)</li><li>• Three wire nuts (UL listed)</li></ul> |
|--|--|

## STEP 5: INSTALL TO POWER

Turn off the electricity to the dishwasher's electrical circuit.

Make sure that the electrical power is turned off at the source.



**WARNING**

If your house wiring is not 2-wire with a ground, a ground must be provided by the installer.

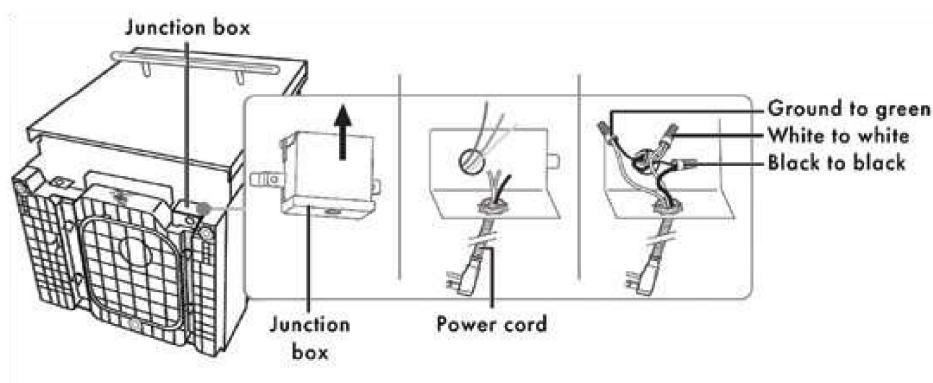
If your house wiring is aluminum, be sure to use cUL/UL Listed anti-oxidant compound and aluminum-to-copper connectors.

# INSTALLATION

## Power cord

1. Remove the junction box cover on the front right of the dishwasher.
2. Make sure that the junction box's electrical wires are pulled inside of the junction box.
3. Remove the lock nut from the strain relief, then push the strain relief into the round opening of the junction box.
4. Install the lock nut on the strain relief from inside the junction box.
5. Insert the ends of the power cord's electrical wires into the junction box through the strain relief.
6. Connect the incoming white (or ribbed) wire to the dishwasher's white wire, the black (or smooth) wire to the dishwasher's black wire, and the ground wire to the dishwasher's green wire. Use cUL/UL listed wire nuts of the appropriate size.
7. Tighten the strain relief screws and lock nut to stabilize the power cord's electrical wires, then make sure that all of the connections are secure.
8. Replace the junction box cover on the right front of the dishwasher. Be sure that the wires are not pinched under the cover.

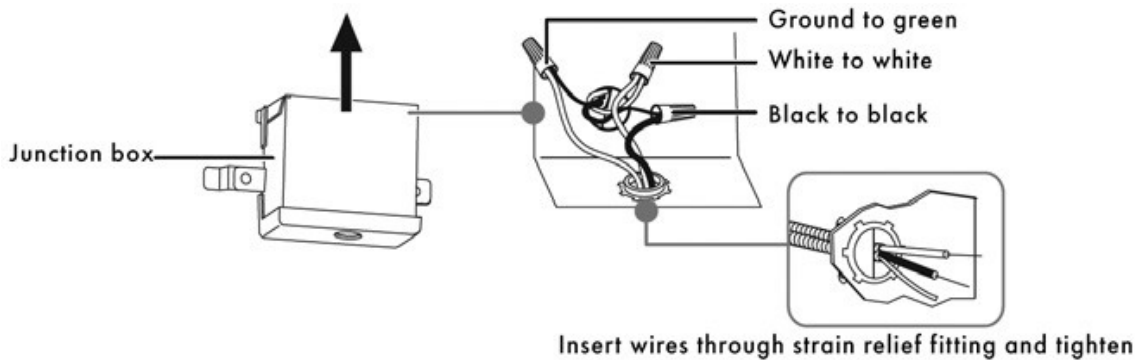
**Note:** If you have trouble replacing the junction box cover, loosen the screws on the strain relief.



# INSTALLATION

## Direct wiring

1. Remove the junction box cover from the power supply junction box on the wall.



2. Locate the three dishwasher wires, (white, black, and green) with stripped ends, then insert the dishwasher wires through the small hole in the junction box.
3. Secure the house wiring to the bottom of the junction box with a strain relief fitting.
4. Use wire nuts to connect incoming ground to green, white to white, and black to black.
5. Replace the junction box cover. Make sure that no wires are pinched under the cover.

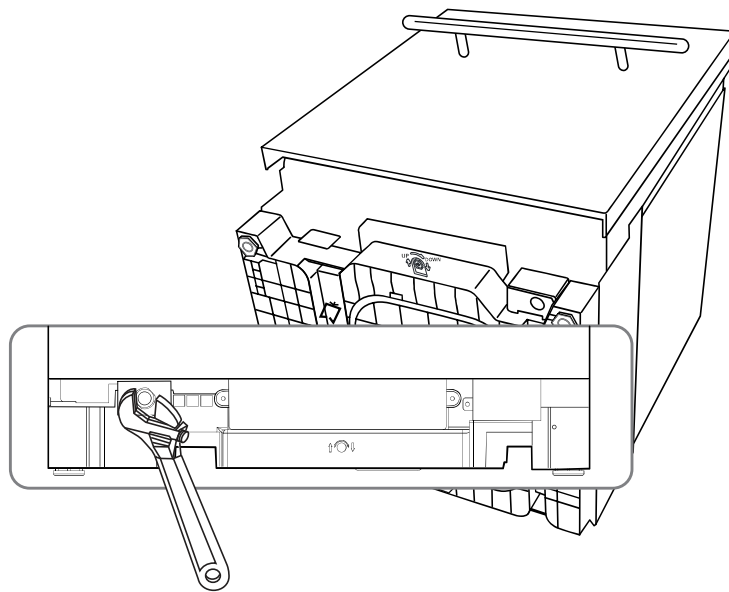
# INSTALLATION

## YOU'LL NEED

- Adjustable wrench
- Teflon thread seal tape
- 90° elbow

## STEP 6: INSTALL THE 90° WATER SUPPLY ELBOW

1. Wrap the male thread of the 90° elbow with Teflon thread seal tape twice. Do not use plumber's putty.
2. Install the 90° elbow onto the water valve. Do not overtighten the 90° elbow. The water valve bracket could bend or the water valve fitting could break.
3. Position the end of the elbow to face the floor when the dishwasher is upright.



# INSTALLATION

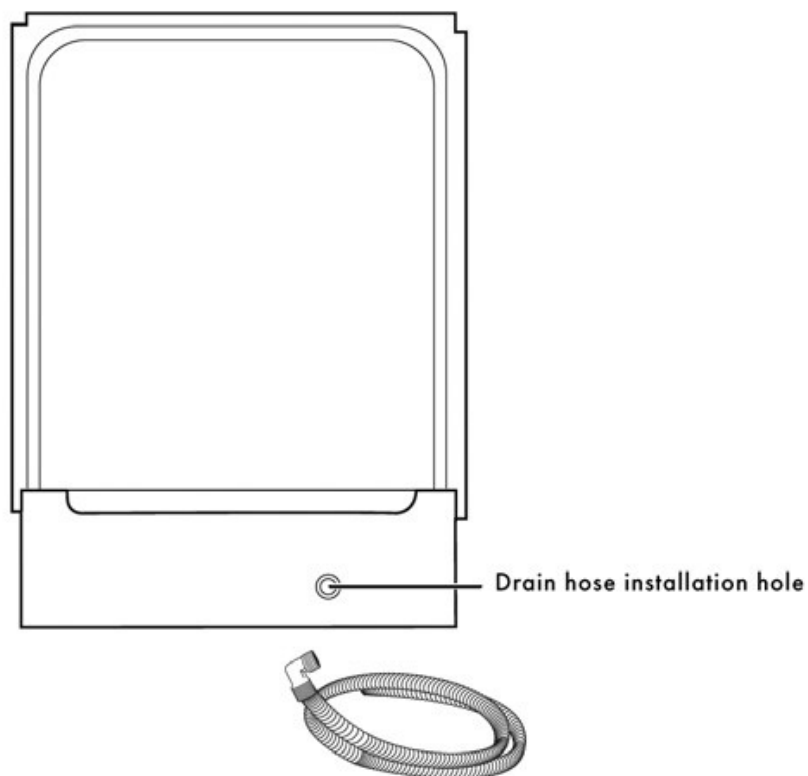
## YOU'LL NEED

- Phillips screwdriver
- Drain hose
- Screw-type hose clamps

## STEP 7: INSTALL THE DRAIN HOSE

1. Make sure that the leveling feet are loosened before standing the dishwasher upright. They may be tight from shipping/packaging.
2. Turn the dishwasher upright.
3. Slide a screw-type hose clamp onto the right-angled end of the drain hose.
4. Install the drain hose to the dishwasher drain outlet on the back of the dishwasher, then tighten the screw-type hose clamp.

### Back of dishwasher

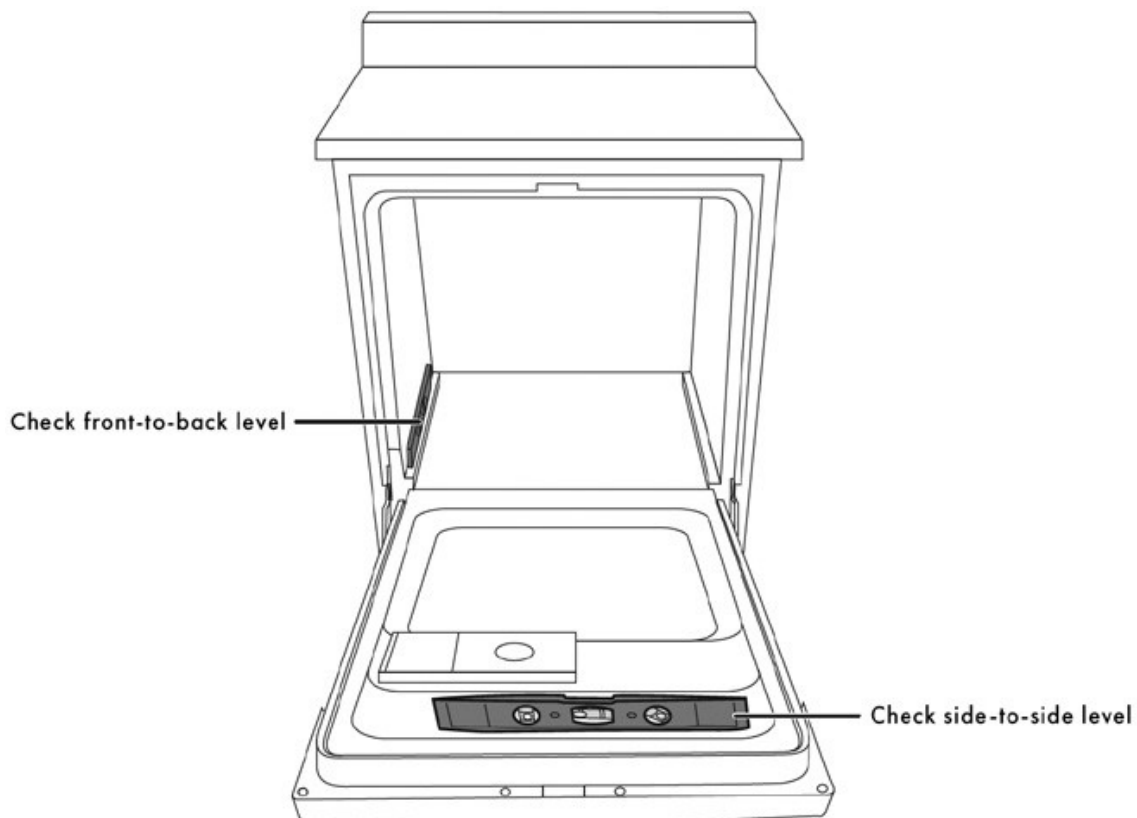


# INSTALLATION

## STEP 8: LEVEL THE DISHWASHER

**Important:** The dishwasher must be level for proper dish rack operation and wash performance.

1. Open the door, then place a level on the door and on the rack track inside the tub to make sure that the dishwasher is level.



2. Level the dishwasher by adjusting the three leveling legs individually.

**Tip:** Pull the lower rack out about halfway. Make sure that the rack does not roll forward or back into the dishwasher. If the rack or rolls in either direction, you must level the dishwasher again.

**Note:** You may need to pull your dishwasher out of the cabinet if major adjustments to the four leveling legs are required.

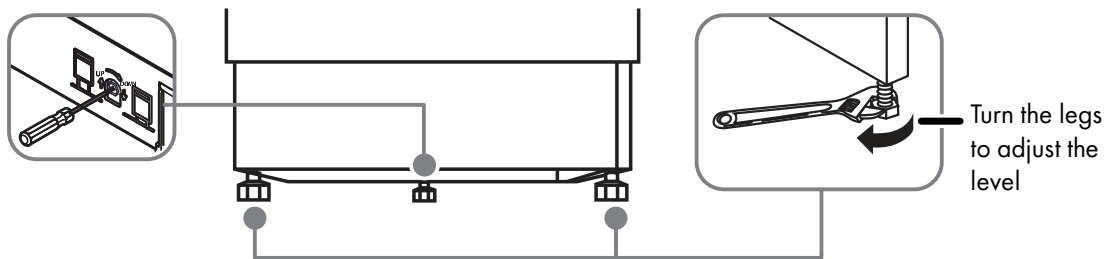
# INSTALLATION INSTRUCTIONS

## YOU'LL NEED

- Adjustable wrench
- Level
- Philips screwdriver

3. If the door hits the tub, the dishwasher is not installed correctly. Adjust the leveling legs to align the door to the tub.

**Note:** Keep the dishwasher level.

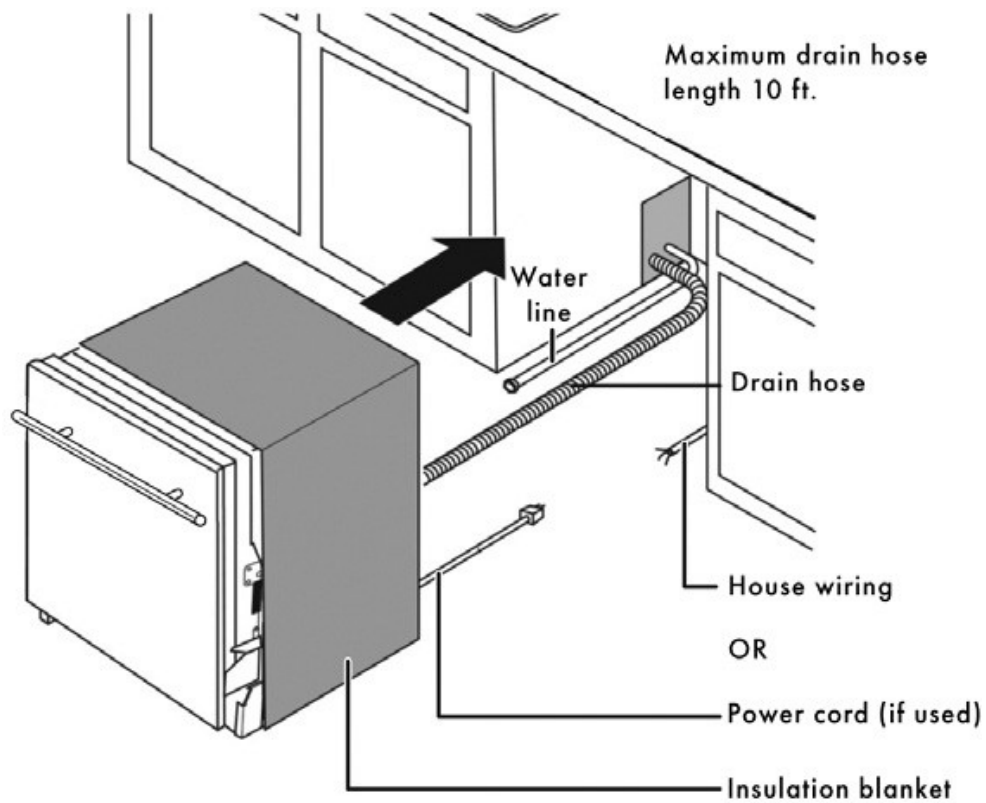


# INSTALLATION

## STEP 9: INSERTING THE DRAIN HOSE THROUGH THE CABINET

- Insert the drain hose into the hole in the cabinet wall. If a power cord is used, guide the end through a separate hole.

**Tip:** Position the water line and house wiring on the floor to avoid interfering with the base of the dishwasher.



# INSTALLATION INSTRUCTIONS

## STEP 10: SLIDE THE DISHWASHER PARTIALLY INTO THE CABINET

**Caution:** Do not push against the front panel with your knees. Damage will occur.

1. Position the dishwasher in front of the opening, then slide the dishwasher into the opening a few inches at a time.
2. Pull the drain hose through the opening under the sink as you proceed. Stop when the dishwasher is a few inches in front of the adjacent cabinetry.
3. Make sure that the drain hose is not kinked under the dishwasher and that there is no interference with the water line, wiring, or any other component.



## STEP 11: POSITION THE DISHWASHER UNDER THE COUNTERTOP

1. Make sure that the wires are secure under the dishwasher and not pinched or in contact with door springs or other dishwasher components.

**Tip:** Check tub insulation blanket, if equipped. It should be positioned so it is not bunched up or interfering with door springs. Check by opening and closing the door.

2. Push the dishwasher into the cabinet. The front corners of the dishwasher door should be flush with the cabinet doors. Be careful not to dent the front panel with your knees or damage the countertop or cabinets with dishwasher parts.

**Note:** You will not have access to the back leveling legs once the dishwasher is put in place.



# INSTALLATION INSTRUCTIONS

## YOU'LL NEED

- Phillips screwdriver
- Screws A ST4 x 20 (2)  
(two for each method)
- Top mounting clips (2)

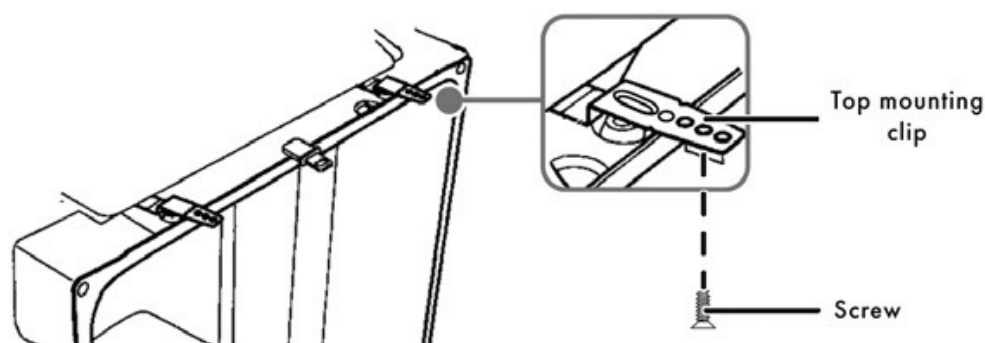
## STEP 12: SECURING THE DISHWASHER TO THE COUNTERTOP

- For countertops made of wood or materials that won't be damaged by drilling, use Method 1.
- For countertops made of granite, marble, or other materials that could be damaged by drilling, use Method 2.
- If the gap between the control panel and the cabinet is less than 0.4 in., use Method 2.

### Method 1

1. Insert the long top mounting clips into the slot.
2. Bend the brackets to secure them to the dishwasher tub.
3. Secure the dishwasher to the countertop through the holes in the brackets, using the screws provided.

**Important:** Drive the screws straight and flush. Protruding screw heads will scratch the top of the control panel and interfere with the door closing.



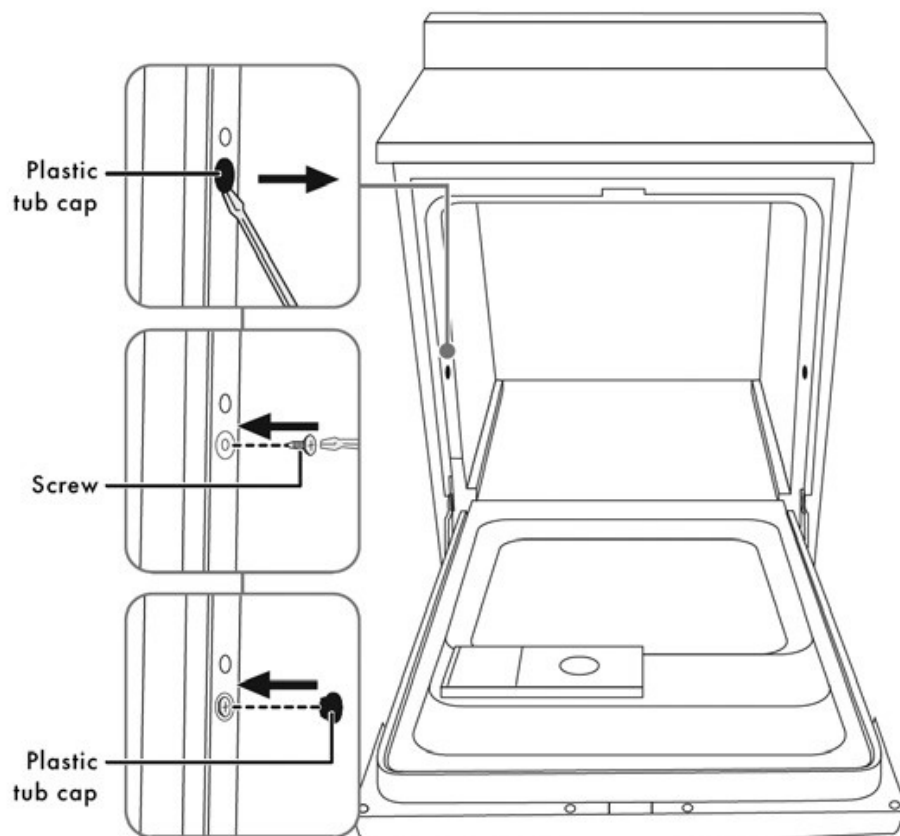
# INSTALLATION INSTRUCTIONS

## Method 2

1. Remove the plastic tub caps from the inside of the dishwasher tub.
2. Drive a wood screw through the hole in the side of the dishwasher into the cabinet frame.

**Important:** Drive the screws straight and flush. Protruding screw heads will scratch the side of the dishwasher. This method is for attaching the dishwasher to the side of the cabinet, and it should be done when the countertop is made of granite or other breakable materials.

3. Reinsert the plastic tub caps.



# INSTALLATION INSTRUCTIONS

## YOU'LL NEED

- Adjustable wrench
- Hot water line kit
- Teflon thread seal tape

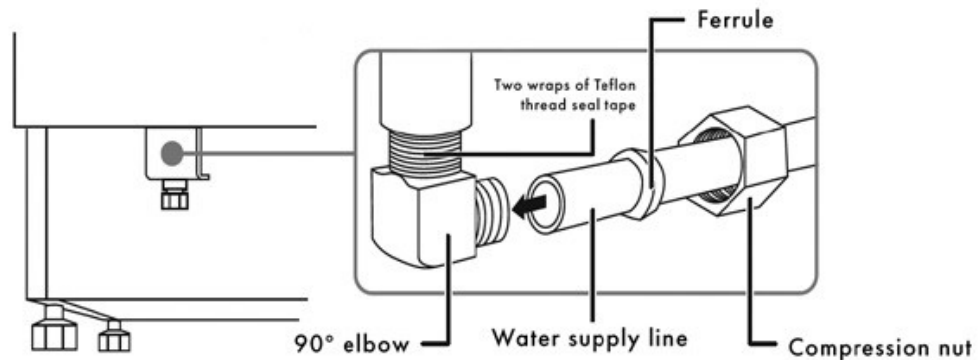
## STEP 13: CONNECTING THE WATER SUPPLY LINE

1. Make sure that you wrapped the 90° elbow with Teflon thread seal tape twice.
2. Slide the compression nut, then the ferrule over the end of the water supply line.

**Note:** If you use braided stainless steel, you do not need a ferrule or compression nut.

3. Insert the water supply line into the 90° elbow.
4. Slide the ferrule against the 90° elbow and secure it with the compression nut.

### Back of dishwasher



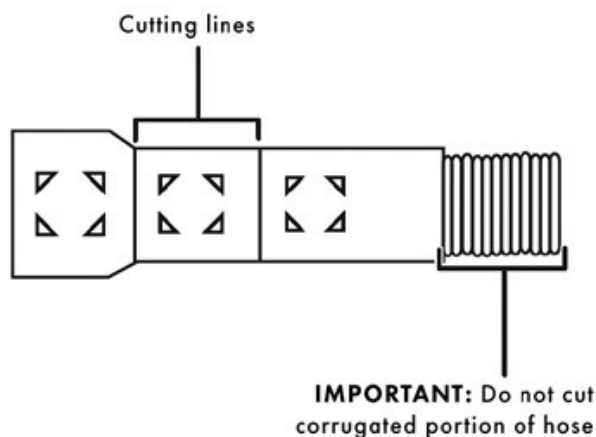
**Important:** Make sure that the door spring does not rub or contact the water supply line or drain hose. Test by opening and closing the door. Reroute the lines if interference occurs.

# INSTALLATION

## STEP 14: CONNECTING THE DRAIN HOSE

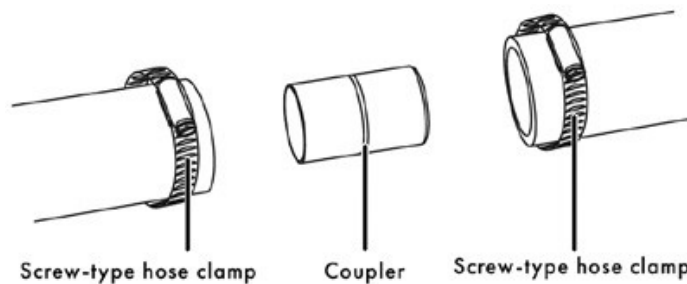
**Important:** Follow all local codes and ordinances.

1. Cut on the marked line as required for your installation. The drain hose's molded end will fit 5/8" or 1" diameter connections on the air gap, waste tee, or garbage disposal.



2. If a longer drain hose is required, you can add up to 42" of length, for a total of 10 ft. to the factory installed hose. Use 5/8" or 7/8" inside diameter hose and a coupler to connect the two hose ends. Secure the connection with screw-type hose clamps.

**Important:** For proper drain operation, the total drain hose length must not exceed 10 ft.



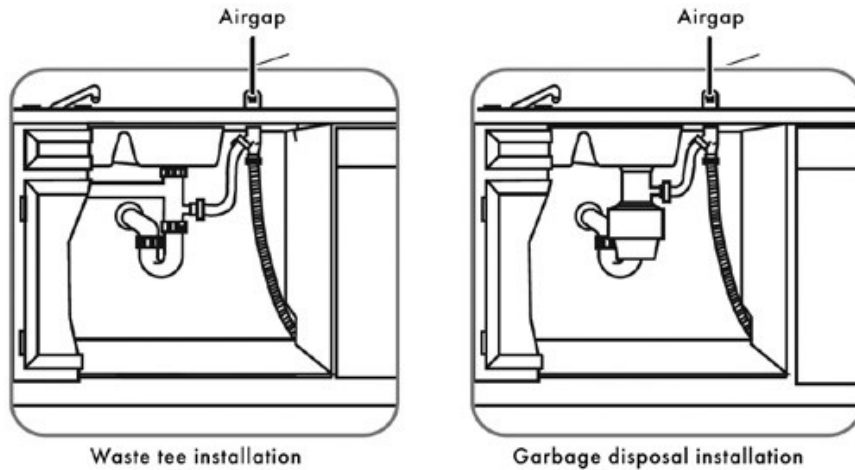
3. Secure the drain hose to the air gap, waste tee, or garbage disposal with a screw-type clamp, using the appropriate method below. See "Drain Preparation" on page 6, if you do not know which method to use.

# INSTALLATION

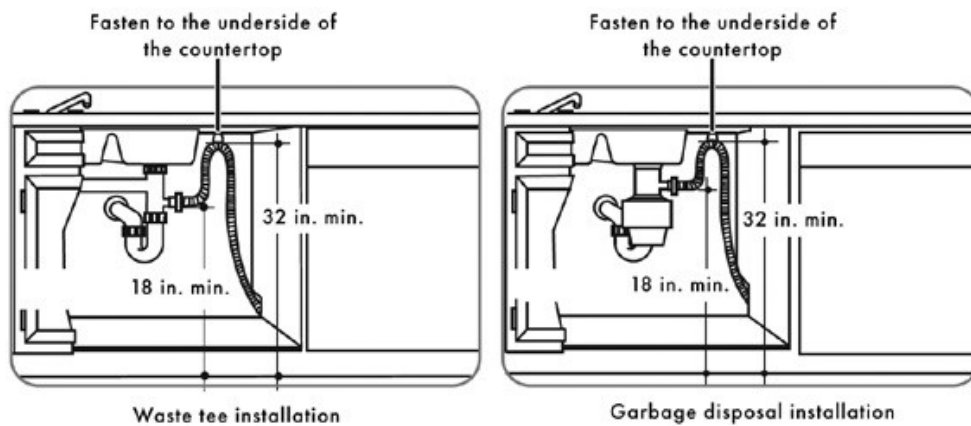
## YOU'LL NEED

- Phillips screwdriver
- Screw-type hose clamps
- Coupler for extending drain line (if applicable)

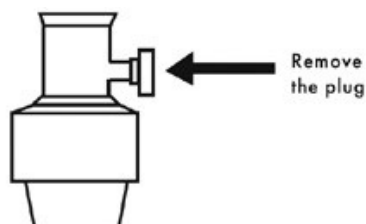
### Method 1 - Air gap to a waste tee or garbage disposal.



### Method 2 - High drain loop to a waste tee or garbage disposal.



4. If connecting the drain line to a garbage disposal, make sure that the drain plug has been removed. Your dishwasher will not drain if the plug is left in place.



# INSTALLATION

## STEP 15: PERFORMING A PRE-TEST CHECK

Review this list after installing your dishwasher to avoid problems or charges for a service call not covered by your warranty.

- Make sure that power is turned OFF.
- Make sure all foam and paper packaging is removed.
- Locate the User Guide in the literature package.
- Read the User Guide for operating instructions.
- Check the door opening and closing. If the door does not open and close freely, or tends to fall open, check the spring adjustments. See "Step 2: Check the door balance" on page 15.
- Make sure that the wiring is secure under the dishwasher and not pinched or in contact with door springs or other components. See "Step 11: Position the dishwasher under the countertop" on page 25.
- Check the door alignment with the tub. If the door hits the tub, level the dishwasher. See "Step 8: Level the dishwasher" on page 22.
- Check the door alignment with the cabinet. If the door hits the cabinet, reposition or relevel the dishwasher. See "Step 8: Level the dishwasher" on page 22.
- Pull the lower rack out about half way. Make sure that it does not roll back or forward on the door. If the rack moves, adjust the leveling legs. See "Step 8: Level the dishwasher" on page 22.
- Make sure that water supply and drain lines are not kinked or in contact with other components. Any contact with the motor or dishwasher frame could cause a noise. "See Step 10: Slide the dishwasher partially into the cabinet" on page 25.
- Turn on the sink hot water faucet and verify the water temperature. Incoming water temperature must be between 120°F and 150°F. A minimum of 120°F temperature is required for best wash performance. See "Preparing the hot water line" on page 10.
- Add a half gallon of water to the bottom of the dishwasher to lubricate the pump seal.
- Turn on the water supply. Check for leaks. Tighten connections if needed.
- Remove any protective film (if present) from the control panel and door.

# INSTALLATION

## STEP 16: WET TESTING THE DISHWASHER

1. Turn on the power supply (or plug the power cord into the outlet.)
2. Select rinse cycle on dishwasher (refer to the User Guide for instructions).
3. Press START/CANCEL and close door.
4. Make sure that water enters the dishwasher. If water does not enter the dishwasher, check to be sure that water and power are turned on.
5. Check for leaks under the dishwasher. If a leak is found, turn the power supply off, then tighten connections. Restore power after the leak is corrected. Then repeat test, starting at step 1.
6. Check for leaks around the door. A leak around the door could be caused by door rubbing or hitting against adjacent cabinetry. Reposition the dishwasher if necessary. See "Step 11: Position the Dishwasher Under the Countertop" on page 25.
7. When the dishwasher is draining, check the drain lines for leaks. If leaks are found, turn power off power supply and correct plumbing as necessary.
8. Restore the power after corrections are made. See "Step 13: Connecting the Water Supply Line" on page 28.
9. Run the dishwasher through another fill and drain cycle. Check for leaks and correct if required.
10. Open the dishwasher door and make sure that most of the water has drained. If not, check that the disposer plug has been removed and/or the air gap is not restricted. See "Step 14: Connecting the Drain Hose" on page 29. Also check the drain line for kinking.\*

\*When checking for water, there should be no standing water in the bottom of the tub, but there will be water in the sump system underneath the filter. This is normal and is to keep the seals and system from drying out and causing leaks. The water that is left in the sump is clean water that has not been used to clean dishes.

# INSTALLATION

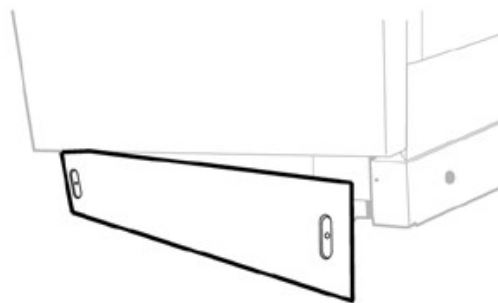
## YOU'LL NEED

- Phillips screwdriver

## STEP 17: REPLACING THE KICK PLATE

- Place the kick plate against the legs of the dishwasher. The slots should align with the kick plate bracket screw holes. Allow the kick plate to touch the floor. Install the kick plate screws.

**Note:** Make sure that you install the kick plate in the correct direction. The kick plate should be aligned correctly with the junction box.



The kick plate can also be installed with magnets.

# IMPORTANT SAFETY INSTRUCTIONS



**CAUTION**  
RISK OF ELECTRIC SHOCK  
DO NOT OPEN



This symbol indicates that dangerous voltage constituting a risk of electric shock is present within your dishwasher.



This symbol indicates that there are important operating and maintenance instructions in the literature accompanying your dishwasher.

## WARNING

When using your dishwasher, follow basic safety precautions, including the following:

### BEFORE YOU BEGIN

Read these instructions completely and carefully.

1. Read these instructions.
2. Keep these instructions.
3. Heed all warnings.
4. Follow all instructions.
5. Clean only with a damp cloth.
6. Do not block any ventilation openings. Install in accordance with the manufacturer's instructions.
7. Make sure that the available AC power matches the voltage requirements of this appliance.
8. Refer all servicing to qualified service personnel. Servicing is required when the appliance has been damaged in any way or it does not operate normally.



**Electric Shock Hazard**

Failure to follow these instructions can result in electric shock, fire, or death.

1. **WARNING-DANGER** Never allow children to play with, operate, or crawl inside the dishwasher.
2. Turn off the dishwasher before carrying out user maintenance on it.
3. If a component part is damaged, it must be replaced by the manufacturer, its service agent, or similar qualified persons in order to avoid a hazard.
4. This appliance is intended to be used in household and similar environments.

# IMPORTANT SAFETY INSTRUCTIONS

## BASIC PRECAUTIONS BEFORE USE:

- Read all instructions before using the dishwasher.
- The manual does not cover every possible condition and situation that may occur.
- Use the dishwasher only for intended function as described in this manual.
- When loading items to be washed:
  - Load sharp items and knives so that they are not likely to damage the door seal and tub.
  - Load sharp items and knives with the handles up to reduce the risk of cut-type injury.
- Do not wash plastic items unless they are marked dishwasher safe or the equivalent, if not marked, check with manufacture for recommendation, items that are not dishwasher safe may melt and create a potential fire hazard.
- If the dishwasher drains in to a garbage disposal, make sure disposal is completely empty before running dishwasher.
- Do not tamper with the controls.
- Do not operate your dishwasher unless all enclosure panels are properly in place.
- Do not touch the heating element during or immediately after use, especially if the sanitize option has been selected.
- Do not let children abuse, sit, or stand on door or racks of the dishwasher.
- Under certain conditions, hydrogen gas may be produced in a hot water system that has not been used for two weeks or more. **HYDROGEN GAS IS EXPLOSIVE.**
- If the hot water system has not been used for a period of time, before using it again, let the water flow for several minutes. This will release any accumulated hydrogen gas. Hydrogen gas is flammable. Do not smoke or use an open flame during this time.
- Do not store or use combustible materials, gasoline or other flammable vapors and liquids in the vicinity of this or any other appliance.
- Use only detergents or rinse agents recommended for use in a dishwasher and keep them out of the reach of children.
- Keep young children and infants away from dishwasher when it is operating.
- Do not use the dishwasher if it has a damaged power line or plug, and do not plug the dishwasher into a damaged outlet, failure to observe these instructions may result in electrical shock.

# IMPORTANT SAFETY INSTRUCTIONS

- Remove the door to the washing compartment when removing an old dishwasher from service or discarding it.
- To reduce the risk of injury, do not allow children to play in or on a dishwasher.

## SAVE THESE INSTRUCTIONS

# OPERATION

1. Water supply temperature should be between 120° F and 150° F.
2. Dispose of the discarded appliance and packing material properly.
3. The dishwasher must be grounded or it can result in a risk of electric shock.
4. If there is any damage to the dishwasher, please contact customer service at 614-777-5004. Do not attempt to repair or replace any part by yourself. For information on installing and setting up your dishwasher, refer to the Installation Guide provided.

## BEFORE USING YOUR DISHWASHER

1. Remove the interior packing.
2. Clean the interior surface with lukewarm water using a soft cloth.

## FINDING A SUITABLE LOCATION

- This dishwasher is designed to be built-in.
- The dishwasher door must be able to swing fully open.

## PROVIDING A PROPER POWER SUPPLY

Check your local power source. This dishwasher requires a 120V, 60Hz power supply.

Refer to the Installation Guide for additional information.

## HOW YOUR DISHWASHER CLEANS

The dishwasher fills with water, covering the filter area at the bottom. Water is then pumped through the various filter and spray arms, spraying a mixture of hot water and detergent against the soiled surfaces of your dishes and silverware. Soil particles are separated and go down the drain as the dirty water is drained and replaced with clean water. The number of water fills is determined by the cycle selected.

## WASH CYCLE SELECTIONS

Cycle times are approximate and will vary with options selected. Hot water is necessary to activate dishwasher detergent and melt fatty food soils. An automatic sensor checks the incoming water temperature and, if it is not hot enough, the timer will be delayed to allow for the water to heat for the main wash of all cycles. This happens even when hi-temp wash is selected, so that higher temperature will be available to handle heavier soil loads.

# OPERATION

## FILTER SYSTEM

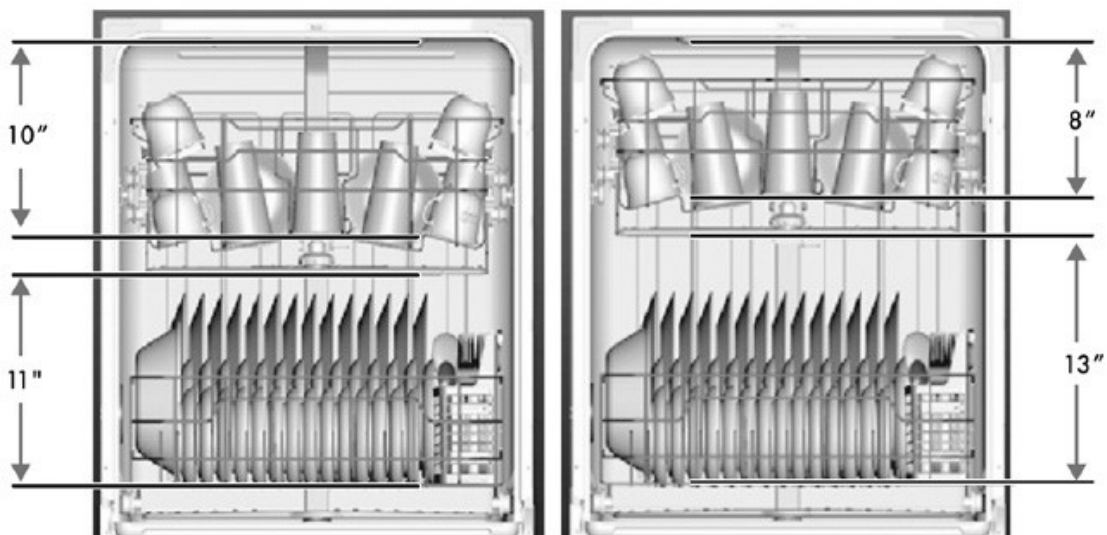
Your dishwasher has a multiple filter system which includes four separate filter meshes. It separates dirty water and clean water into different chambers. The multiple filter system helps your dishwasher to get better performance with less water and less energy.

## SMART WASH SYSTEM

Your dishwasher has a smart wash system under the normal wash program which selects the wash cycle based on how large and how soiled the load, permitting your dishwasher to clean more efficiently every time. When a partial load of lightly soiled dishes is placed in the unit, a short wash cycle is automatically selected. When a full load of heavily soiled dishes is placed in the unit, a heavy wash cycle is automatically selected.

## ADJUSTABLE UPPER RACK

The upper rack of your dishwasher can be raised or lowered to accommodate loading dishes of varying heights in either rack. After removing the 3rd rack, the upper rack clearance height can be adjusted from 8" to 10". The lower rack clearance height can be adjusted from 11" to 13". See "Adjusting the Upper Rack" on page 43.



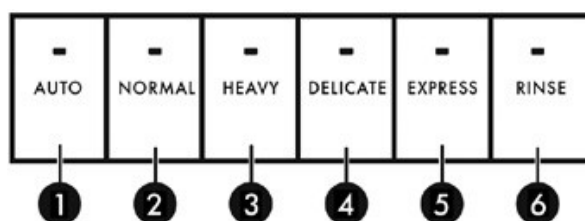
# OPERATION

## USING THE CONTROL PANEL

Your dishwasher's control panel is located on the top edge of the door. The door must be open to make settings and operate the dishwasher.

POWER On/Off - 3sec - Hold this button down for three seconds to turn the power on or off.

## CYCLES

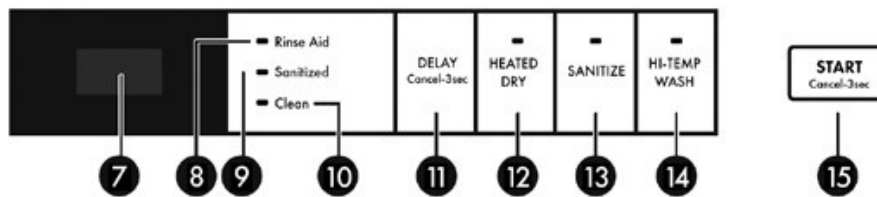


Select a cycle based on the type of dishes to be washed and the level of soil on the dishes. Cycle times are approximate and will vary with options selected. The timer will be delayed to allow for the water to heat for the main wash of all cycles if the sensor detects the water is not hot enough. Below is water use and cycle times under standard conditions.

#	CYCLE	DESCRIPTION	WATER USE	CYCLE TIME (MINUTES)
1	AUTO	Auto sensing wash, lightly, or heavily soiled crockery, with or without dried-on food.	3.0 - 5.9 gal.	100 - 133
2	NORMAL	Use for regularly soiled dinner dishes or silverware.	3.0 - 5.9 gal.	102 - 120
3	HEAVY	Use for hard-to-clean, heavily soiled dishes, pots, and pans.	6.9 gal.	138
4	DELICATE	Use for lightly soiled crockery and glass.	5.9 gal.	114
5	EXPRESS	Use for lightly soiled and pre-rinsed dishes and silverware.	4.0 gal.	60
6	RINSE	Use for pre-rinsing dishes or glasses. This is only a rinse that keeps food from drying on your dishes and reduces odor buildup in your dishwasher until you are ready to wash a full load. Do not use detergent.	2.0 gal.	20

# OPERATION

## CONTROLS AND INDICATORS



Options can add enhancements to the cycle selected.

7. **DISPLAY** - Shows the remaining hours and minutes of the current cycle, delay hours remaining, and error codes (see "Error Codes" on page 56).
8. **Rinse Aid** - Turns on when you need to add rinse aid.
9. **Sanitized** - Turns on when a sanitized cycle is finished. Turns off after 30 seconds, when the door is opened.
10. **Clean** - Turns on after a cycle finished. Turns off after 30 seconds when the door is opened.
11. **DELAY** - Press repeatedly to delay the start of the selected wash cycle until the delay time you want is shown on the display. "H" will show. This is not an error code. You can select from one to 24 hours delay. After you select the delay time you want, press **START/CANCEL** once, then close the door within four seconds. The delay begins to count down. If you open the door while delay is running, press the **START/CANCEL**, then close the door within four seconds to begin the cycle from that point. To cancel the delay and begin the cycle before the delay period is complete, open the door, then press and hold **DELAY** for three seconds.

## OPTIONS

12. **HEATED DRY** - Use to heat-dry your dishes. This function is not available for rinse only cycle.
13. **SANITIZE** - Use to sanitize your dishes and glassware. Maintains the water temperature at 158° F max., and is available with the **AUTO**, **NORMAL**, and **HEAVY** cycles.

### Note:

- Certified residential dishwashers are not intended for licensed food establishments.
- The sanitize cycle is NSF certified.

# OPERATION

14. HI TEMP WASH - Use to maintain the water temperature at 140° F max. This option is available with the AUTO, NORMAL, and HEAVY cycles.
15. START/CANCEL - Press to start the dishwasher after you have selected a cycle and function (if desired). Close the door. The cycle indicator begins to blink and the function indicator turns on. If you don't close the door within four seconds of pressing START/CANCEL, the dishwasher pauses. Press START/CANCEL again to continue with the cycle. To cancel a running cycle, open the door, then press and hold START/CANCEL for three seconds. The dishwasher will return to standby status. To load more dishes or pause the dishwasher while it's already running, open the door. A safety mechanism stops the cycle.



To avoid injury open the door slowly and carefully. There is a possibility of hot steam from inside the dishwasher.

You can add more dishes before the main wash cycle has started. To determine this, check the detergent dispenser in the door. If the detergent dispenser is still closed, you can add more dishes. If it is open, you can add dishes to the dishwasher if the dish quantity is small. If the quantity is large, restart the cycle.

## BASIC OPERATION

1. Load the dishwasher (See "Preparing and Loading Dishes" on page 42).
2. Add detergent (See "Filling the Detergent Dispenser" on page 48).
3. Add rinse aid, if needed (See "Filling the Rinse Aid Dispenser" on page 49).
4. Select the cycle you want (See the "Basic Operation" on page 41). The indicator will light when the selection is made.
5. Select the function you want. The indicator will light when the selection is made.
6. To start, press START/CANCEL on the control pad.
7. Close the door within four seconds and the wash cycle will begin.

# OPERATION

## PREPARING AND LOADING DISHES

### Preparing dishes for washing

- Scrape away large pieces of food, bones, pits, toothpicks, and similar items. The continuous filtered wash system will remove the remaining food particles.

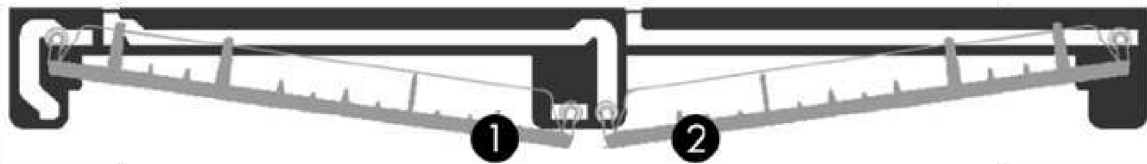
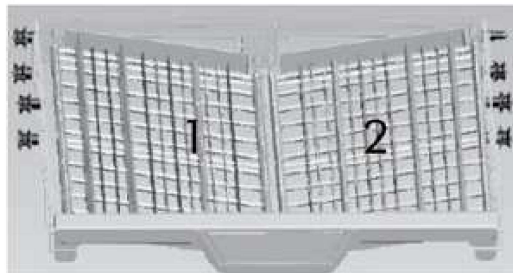


- Burned-on foods should be loosened before loading.
- Empty liquids from glasses and cups.
- Foods such as mustard, mayonnaise, vinegar, lemon juice, and tomato-based products may cause discoloration of stainless steel and plastics if allowed to sit for a long period of time. Unless the dishwasher is to be operated at once, it is best to rinse off these types of foods.
- If the dishwasher drains into a garbage disposal, be sure the disposal is completely empty before starting dishwasher.

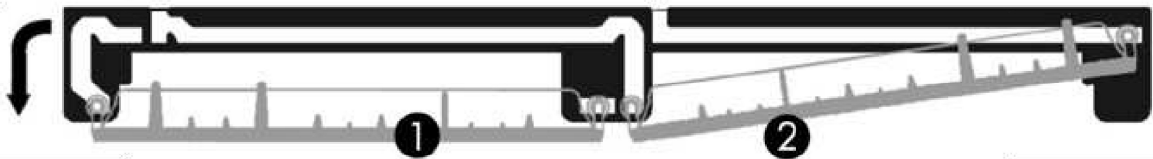
# OPERATION

## ADJUSTING THE UPPER RACK

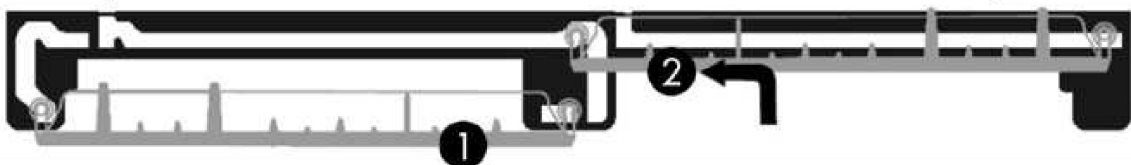
This dishwasher has a convenient top rack for silverware, cutlery, and small items. This rack can be adjusted to accommodate varying loads, as shown below.



Left and right racks aligned



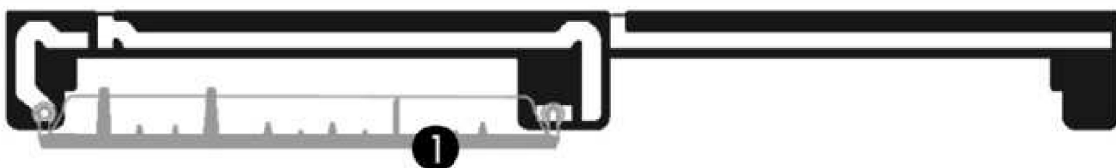
Left rack adjusted to lower position and right rack angled



Left rack adjusted to lower position and right rack to upper position



Left rack adjusted to lower position and right rack moved to the left



Left rack adjusted to lower position and right rack removed

# OPERATION

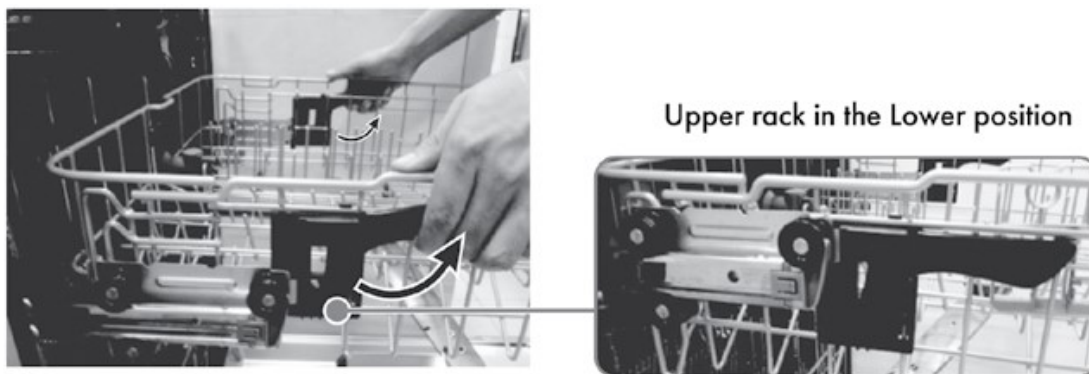
## ADJUSTING THE UPPER RACK

The height of the upper rack can be adjusted to accommodate loading taller dishes in either rack.

1. Lift the rack to move it to the upper position.



2. Press the handle to move it to the lower position.



## LOADING THE UPPER RACK

The upper rack is designed for cups, glasses, small plates, bowls, and plastic items marked dishwasher-safe. For best results, place the items with the soiled surface facing down or toward the center. Tilt them slightly for better drainage.

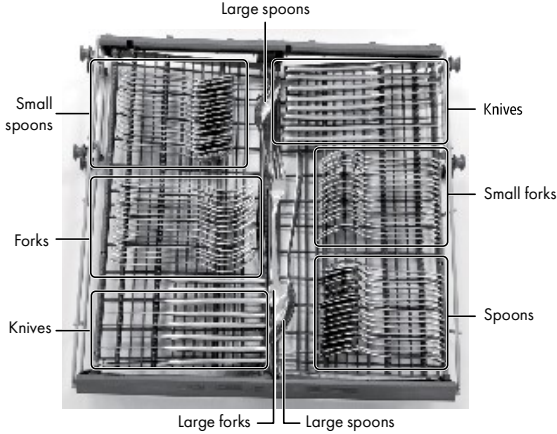
### Note:

Make sure the loaded dishes do not interfere with the rotation of the middle spray arm, which is located just below the upper rack. You can check this by rotating the middle spray arm by hand.

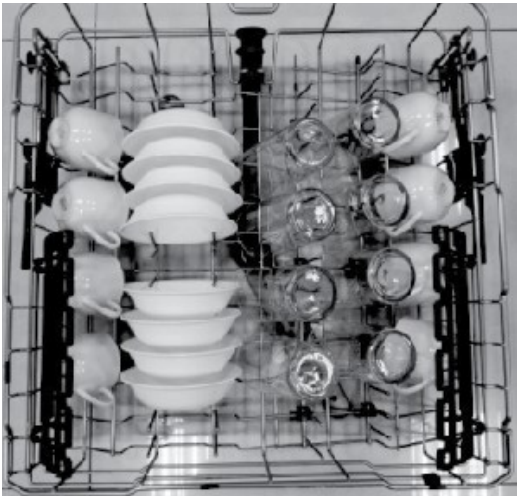
# OPERATION

## LOADING THE TOP RACK

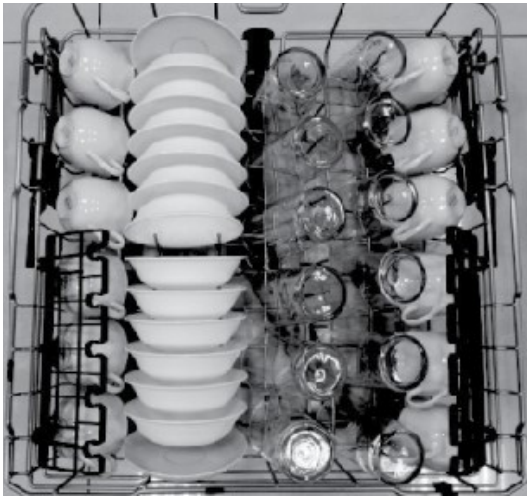
You can place the items in the top rack randomly or in an orderly fashion. The image below shows how to load the top rack for 16 place settings:



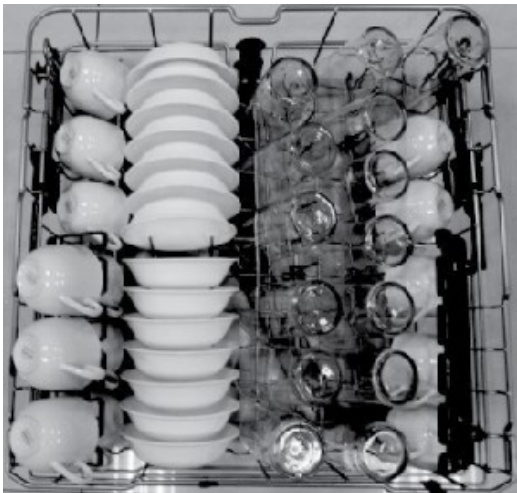
Loading suggestions are shown below.



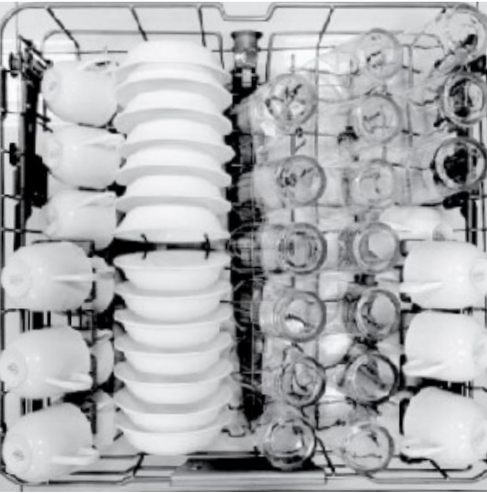
8 place settings



12 place settings



14 place settings



16 place settings

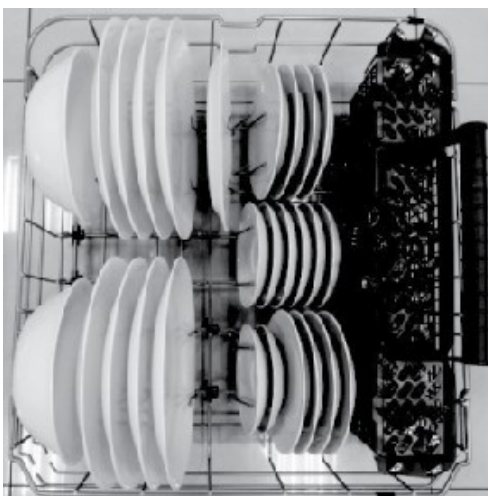
# OPERATION

## LOADING THE BOTTOM RACK

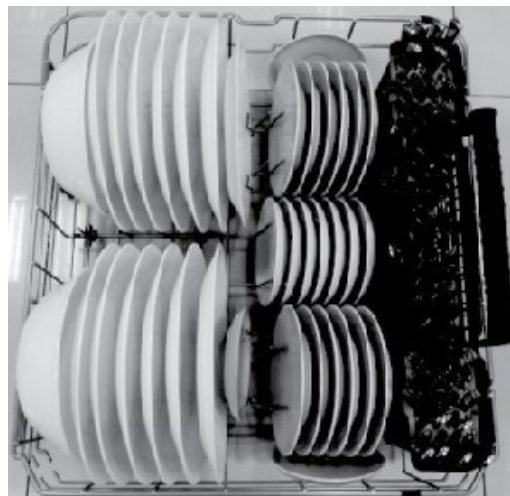
The bottom rack is designed to accommodate plates, bowls, saucers, and cookware. The adjustable rack lets you load items up to 13 inches high. Large items should be placed along the edge, with the inside faces down, so they do not interfere with the middle or lower spray arms or prevent the detergent dispenser from opening.

The fold-down tines on the bottom rack are provided to support extra large and hard-to-fit items. The tines may be left up for normal use or folded down for more flexible loading of larger items.

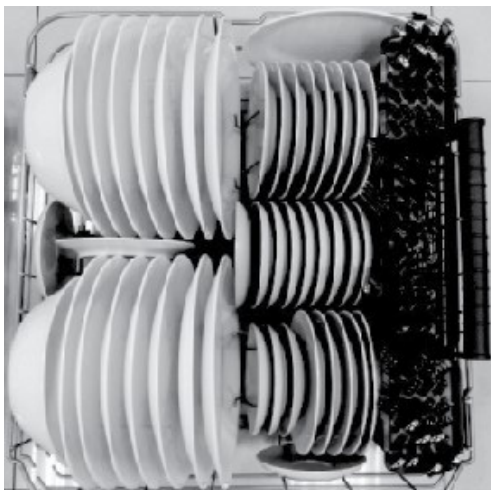
Loading suggestions are shown below:



8 place settings



12 place settings



14 place settings

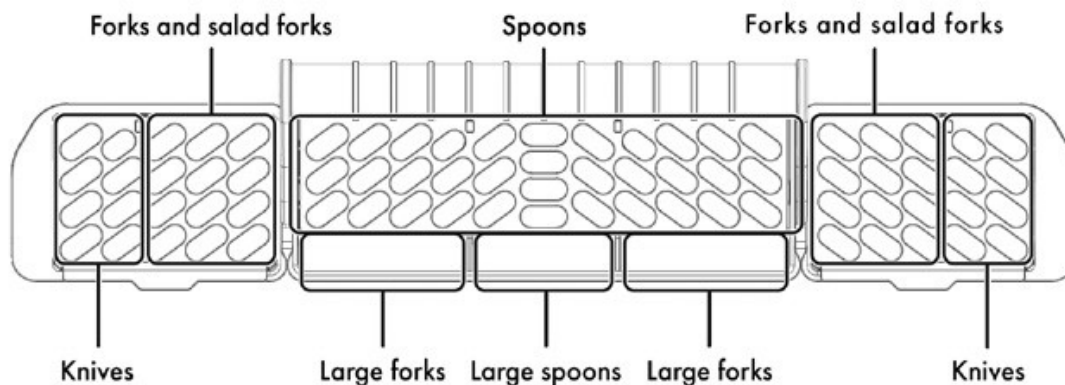


16 place settings

# OPERATION

## LOADING THE SILVERWARE BASKET

The silverware basket is divided into three separate sections, which can be placed in either the upper or lower racks.



### Caution:

Make sure that nothing protrudes through the bottom of the silverware basket to block the lower spray arm.

## ADDING A DISH

The silverware basket is divided into three separate sections, which can be placed in either the upper or lower racks.

### Caution:

**TO AVOID BURN INJURY:** Open the door slowly and wait until the spray arms and wash action stop. Hot water may splash out of dishwasher. Failure to do so may result in injury.

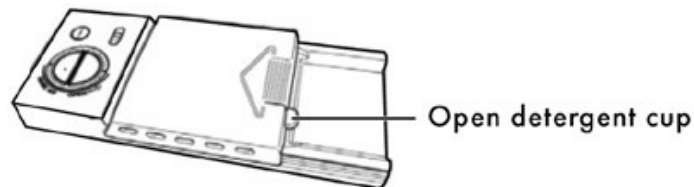
Before adding dishes, refer to "Preparing and Loading Dishes" on page 42 for instructions on loading more dishes. Also see information on START/CANCEL in the "Controls and Indicators" section on page 40. To add or remove items after the wash cycle starts:

1. Open the door slightly and wait a few seconds until wash action stops before completely opening.
2. Add the item.
3. Press START/CANCEL on the control pad and close the door within four seconds. The cycle automatically resumes.

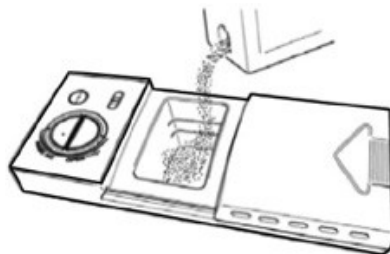
# OPERATION

## FILLING THE DETERGENT DISPENSER

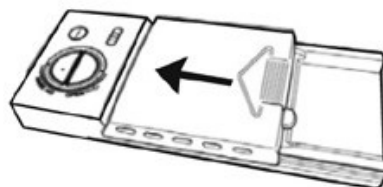
1. Push the detergent dispenser cover latch downwards to open the detergent cup.



2. Add detergent (dry powder, liquid, or packets) to the cup.



3. Close the detergent dispenser cover.



The amount of detergent required depends on the cycle selected and the soil level on the dishes. Refer to the following table for the recommended amount. Loading suggestions are shown below:

Note: Pods are not designed for this dispenser. They should be thrown into the bottom of the tub.

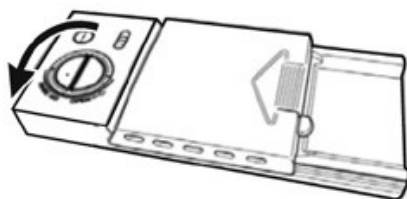
CYCLE	SOFT WATER (0-3 GRAINS)	MEDIUM HARD WATER (4-8 GRAINS)	HARD WATER (9-12 GRAINS)	VERY HARD WATER (OVER 12 GRAINS)
AUTO NORMAL HEAVY DELICATE EXPRESS	2 tsp. (main wash cup 1/4 full)	5 tsp. (main wash cup fill to line above regular)	8 tsp. (main wash cup completely full)	Main wash cup completely full (water softener recommended)
RINSE	No detergent	No detergent	No detergent	No detergent

# OPERATION

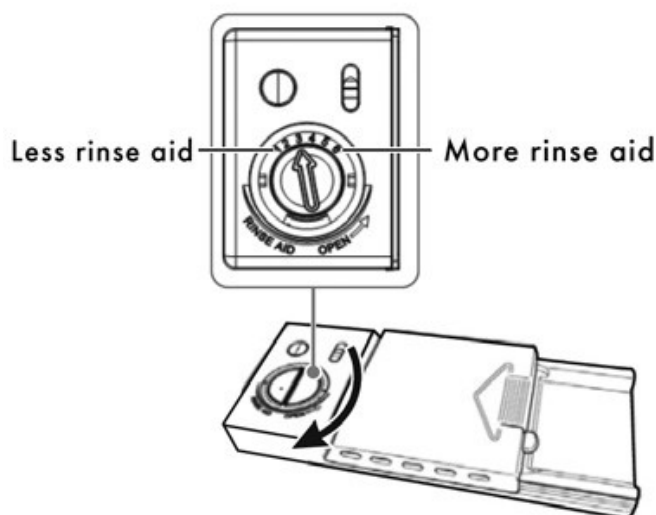
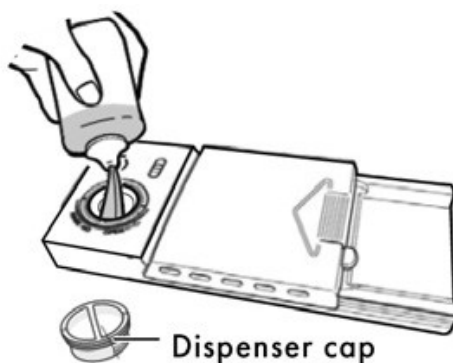
## FILLING THE RINSE AID DISPENSER

Your dishwasher is designed to use a liquid rinse aid. The use of rinse aid greatly improves drying performance after the final rinse. Do not use a solid or bar-type rinse aid. Under normal conditions, the rinse aid will last approximately one month. Try to keep the dispenser full, but do not over fill it.

1. Turn rinse aid dispenser cap 1/4 turn counterclockwise and lift it out.



2. Add rinse aid until liquid touches the indicated fill level. Do not overfill since this can cause over sudsing. Wipe up any spills with a damp cloth. The dispenser holds enough for 35 to 140 washes, depending on the dial setting.



3. Replace the cap and turn it 1/4 turn clockwise.

# OPERATION

## USING RINSE AID

Rinse aid greatly improves drying and reduces water spots and filming. Without rinse aid, your dishes and dishwasher interior will have excessive moisture. In addition, the heated dry option will not perform as well without rinse aid. The rinse aid dispenser, located next to the detergent cup, automatically releases a measured amount of rinse aid during the last rinse. If spotting and poor drying is a problem, increase the amount of rinse aid dispensed by rotating the dial to a higher number. The dial is located under the dispenser cap.

If the rinse aid is low, the rinse aid light turns on at the beginning and end of the cycle indicating that it is time to refill. Refer to "Filling the Rinse Aid Dispenser" on page 49.

## WATER TEMPERATURE

Hot water is required for optimum dishwashing and drying results. Water entering the dishwasher should be at least 120° F to achieve satisfactory results.

To check water temperature entering dishwasher:

1. Turn on the hot water faucet near the dishwasher and let it run for several minutes.
2. Hold a thermometer (a candy or meat thermometer will work) in the water stream to check the temperature. If temperature is below 120° F, have a qualified person raise the hot water heater thermostat setting.

### **Important:**

To make sure that the water entering the dishwasher is hot, run hot water from the nearest hot water faucet to clear cool water from the pipe before starting the cycle.

## HEAT DRY FUNCTION

The heat dry function, when used with a rinse aid, enhances drying performance. If you do not choose the heat dry function, items in your load that will not be completely dry at the end of the cycle.

## WATER PRESSURE

For optimum performance, the hot water supply line for your dishwasher must provide water pressure of at least 20 psi and not more than 120 psi. You may experience low water pressure during high-demand periods, such as when laundry or showers are in use while you are washing the dishes. To eliminate this problem, wait until hot water demand is reduced before starting the dishwasher.

# MAINTENANCE AND CLEANING

## FACTORS AFFECTING PERFORMANCE

### Caution:

**TO AVOID BURN INJURY:** Allow the heating element to cool before attempting to clean the interior of your dishwasher.

## CLEANING THE STAINLESS STEEL PANEL

Clean the stainless steel door and handle regularly with a soft cloth and standard household cleaner to remove the debris.

### Caution:

Do not use appliance wax, polish, bleach or products containing chlorine to clean the stainless steel door.

## CLEANING THE CONTROL PANEL

Clean the control panel gently with a soft, lightly dampened cloth.

## CLEANING THE STAINLESS STEEL INNER DOOR AND TUB

The tub is made of stainless steel. It will not rust or corrode, even if the dishwasher should be scratched or dented. Clean the spots on the steel inner door and tub with a damp non-abrasive cloth.

## CLEANING THE FILTERS

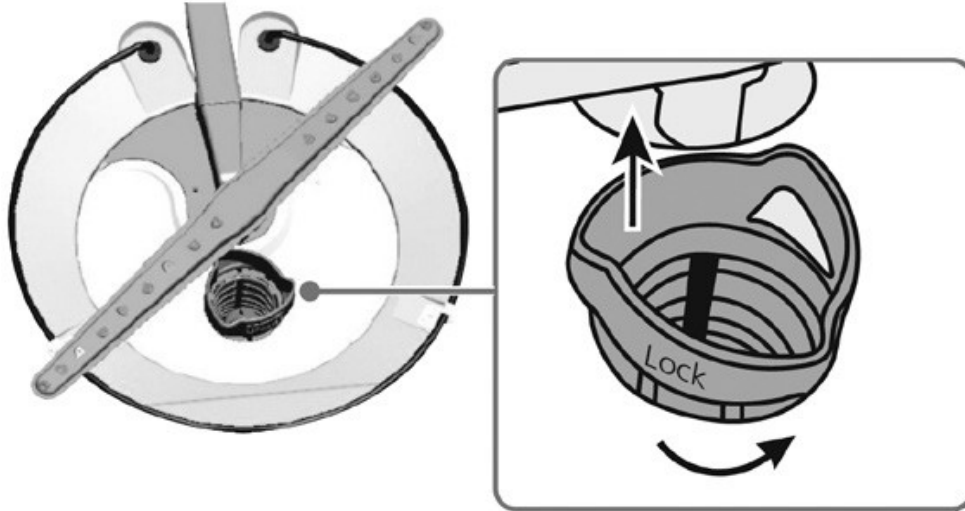
The filters are designed to collect debris and need to be cleaned monthly to maximize wash performance.

1. Remove the bottom rack.



# MAINTENANCE AND CLEANING

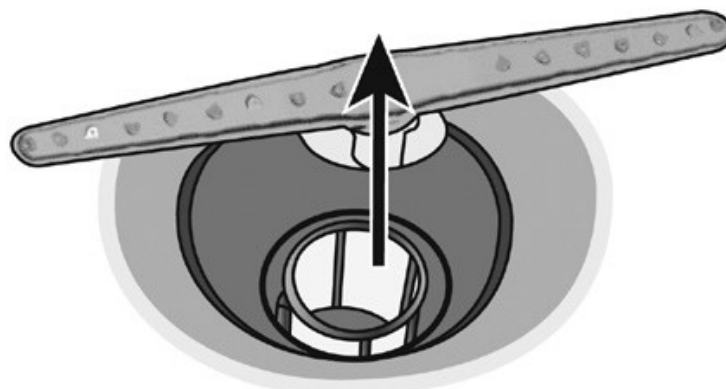
2. Rotate the cylinder filter, then lift it out.



3. Lift the fine filter from the bottom of the tub.

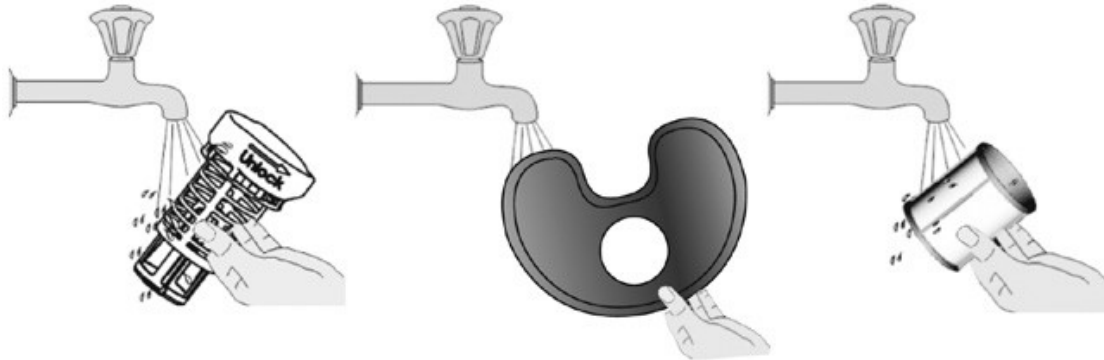


4. Take out the fabric filter.



# MAINTENANCE AND CLEANING

5. Flush the filters by holding them under running water.



6. Replace the fabric filter.
7. Replace the fine filter.
8. Replace the cylinder filter.
9. Replace the bottom rack.

## CLEANING THE DOOR AND TUB GASKETS

Clean the door gasket with a damp cloth to remove food particles regularly.



# MAINTENANCE AND CLEANING

The inside of the dishwasher is self-cleaning under normal use. If needed, the tub gasket can be cleaned with a damp cloth. Use a brush to clean the opening in the end of the gasket.



## CLEANING THE AIR GAP

If there is an air gap installed with your dishwasher, make sure it is clean so the dishwasher will drain properly. Air gap is not part of your dishwasher. Before you clean the air gap, turn off the dishwasher, then remove the plastic air gap cover and clean with a toothpick.

# MAINTENANCE AND CLEANING

Your dishwasher should be protected from freezing if you plan to leave it for extended periods in an unheated place. Have a qualified person do the following:

To disconnect service:

1. Turn off the electrical power to the dishwasher at the supply source by moving fuses or tripping circuit breaker.
2. Turn off the water supply.
3. Place a pan under the inlet valve, then disconnect water line from the inlet valve and drain it into a pan.
4. Disconnect drain line from pump and drain the water into a pan.

To restore service:

1. Reconnect the water, drain, and electrical power.
2. Turn on water and electrical power supply.
3. Fill the detergent cup and the rinse aid cup and run the dishwasher through a heated-wash cycle.
4. Check all connections to make sure they do not leak.

# TROUBLESHOOTING

Refer to this table to correct minor issues before calling for service.

## ERROR CODES

If there is an air gap installed with your dishwasher, make sure it is clean so the dishwasher will drain properly. Air gap is not part of your dishwasher. Before you clean the air gap, turn off the dishwasher, then remove the plastic air gap cover and clean with a toothpick.

CODE	MEANING	POSSIBLE CAUSE
E1	Slow fill time/fill time has exceeded time allotted	<ul style="list-style-type: none"> <li>Faucet is not opened</li> <li>Water intake is restricted</li> <li>Water pressure is too low</li> </ul>
E4	Overflow	A leak in the dishwasher
E8	The orientation of the distributary valve not working.	The wire is not connected correctly, or the distributary valve is broken.
E9	A button has been touched for more than 30 seconds (by anything, including water).	Anything (including water) touching a button.

### Caution:

- If an overflow occurs, turn off the main water supply before calling for service.
- If there is water in the base pan because of an overflow or small leak, the water should be removed before restarting the dishwasher.

# TROUBLESHOOTING

PROBLEM	POSSIBLE CAUSE	POSSIBLE SOLUTION
The dishwasher won't start	The door may not be closed properly.	Make sure that the door is closed and latched.
	The power is off or not connected.	Make sure that the power is connected and turned on.
	The delay start option is selected.	Refer to the "Delay" section under "Controls and indicators" on page 40.
The dishwasher beeps at the end of the cycle	This is normal and indicates that the wash cycle is complete.	
The rinse aid light is on	The rinse aid level is low.	Add rinse aid.
The dishwasher runs too long	The dishwasher is connected to a cold water supply.	Make sure that the dishwasher is connected to a hot water supply. If not, change the water supply to a hot water source.
	The cycle time varies, depending on the soil level of the dishes.	When heavy soil is detected, the wash times will be longer.
	Depends on the option selected.	Some options will add time to the cycle.

# TROUBLESHOOTING

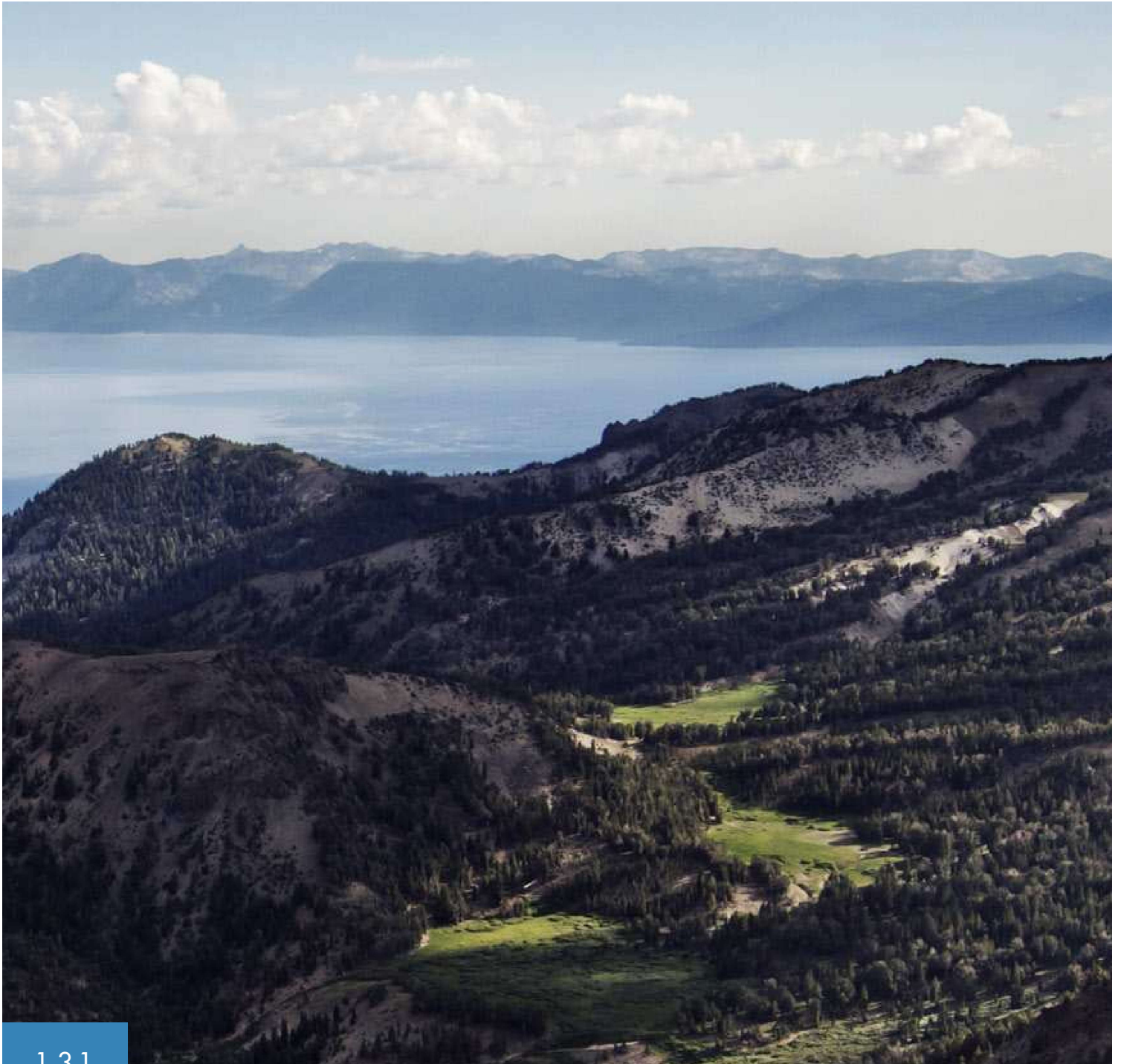
PROBLEM	POSSIBLE CAUSE	POSSIBLE SOLUTION
The dishes are not clean enough	The water pressure is too low.	Make sure that the water pressure is above 20 psi. Use your dishwasher when water demand is low.
	The inlet water temperature is too low.	Make sure that the dishwasher is connected to a hot water supply. If not, change the water supply to a hot water source. Use your dishwasher when hot water demand is low.
	Dishes are too close together.	Reload the dishwasher as shown in "Preparing and Loading Dishes" on page 42.
	Improper use of detergent.	Add detergent depending on the water hardness and washing cycle you choose. Use fresh detergent.
	The selected cycle is not suitable for the soil level on the dishes.	Choose a different cycle with a longer washing time.
	The spray arms are blocked.	Make sure that the spray arms are not blocked and are free to rotate.
The dishes are not drying enough	The rinse aid dispenser is empty or the setting is too low.	Fill the rinse aid dispenser. Increase the rinse aid setting.
	Dishes are loaded improperly.	Reload the dishwasher as shown in "Preparing and Loading Dishes" on page 42.
	The cycle you chose did not include drying.	Choose a cycle with drying.

# TROUBLESHOOTING

PROBLEM	POSSIBLE CAUSE	POSSIBLE SOLUTION
Spots and filming on dishes	Water hardness is too high.	For extremely hard water, install a water softener.
	Dishes are loaded improperly.	Reload the dishwasher as shown in "Preparing and Loading Dishes" on page 42.
	Old or damp rinse aid power is used.	Use fresh, liquid rinse aid.
	The rinse aid dispenser is empty or the setting is too low.	Fill the rinse aid dispenser. Increase the rinse aid setting.
Etching	Using too much detergent.	Use less detergent if you have soft water.
	The inlet water temperature exceeds 150° F.	Lower the inlet water temperature.
Detergent left in dispenser cup	Detergent may be too old.	Use fresh detergent.
	The spray arm is blocked.	When you load the dishes, make sure that the spray arms are not blocked.
The detergent dispenser will not close	Improper operation of the detergent cover.	Add detergent and rinse aid only as indicated in this manual. See "Filling the Detergent Dispenser" on page 48 and "Filling the Rinse Aid Dispenser" on page 49.
Water remains in the dishwasher.	The previous cycle has not finished or has been interrupted.	Make sure that the current cycle is finished.
The dishwasher does not drain properly.	The drain is clogged.	Check the air gap (if so equipped). Make sure that the disposer is empty (if so connected).
	The drain hose is kinked.	Make sure that the drain hose is not kinked and is properly connected.

# TROUBLESHOOTING

PROBLEM	POSSIBLE CAUSE	POSSIBLE SOLUTION
Suds in the tub	Using improper detergent. or pod style cleaners.	Make sure to use only automatic dishwasher detergent.
		The dispenser is not designed for the use of pods. To use pods, throw them into the bottom of the tub and it will release the detergent like normal.
The dishwasher leaks	Excessive suds caused by using improper detergent.	Make sure to use only automatic dishwasher detergent.
	The dishwasher is not level.	Level the dishwasher (refer to the Installation Manual).
There are black or gray marks on the dishes	Aluminum utensils have rubbed against the dishes.	Make sure that the water inlet temperature is not less than 120° F.
The interior of the tub is stained	Coffee or tea stains.	Use a spot cleaner to remove the stains.
	Reddish stain.	Some tomato products may cause this. Use of the rinse only cycle right after loading will help this.
Noises	Detergent cup opening/drain pump.	This is normal.
	A hard object has entered the wash module. When the object is ground up the noise will stop.	If the noise continues after the cycle is complete, call for service.
The dishwasher won't fill (the dishwasher will beep)	The water valve is turned off.	Turn on the water valve.
	The door may not be closed completely.	Make sure that the door is closed and latched.



1.3.1



**ATTAINABLE LUXURY<sup>®</sup>**

1-614-777-5004  
contact@zlinekitchen.com

[www.zlinekitchen.com](http://www.zlinekitchen.com)