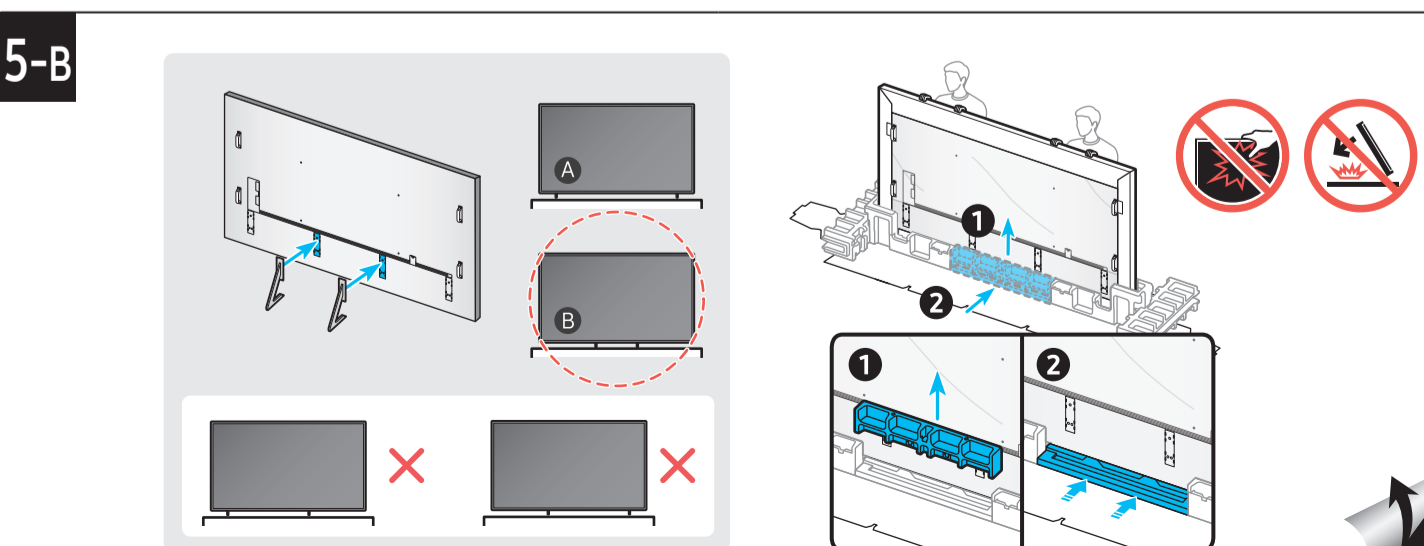
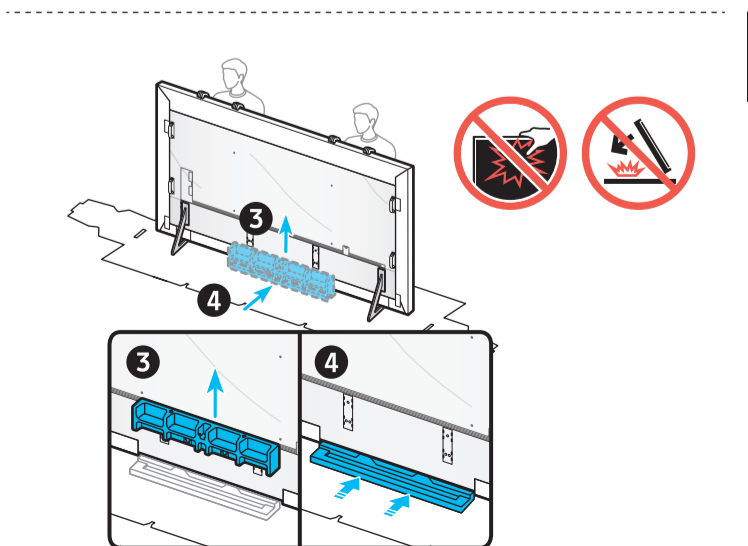
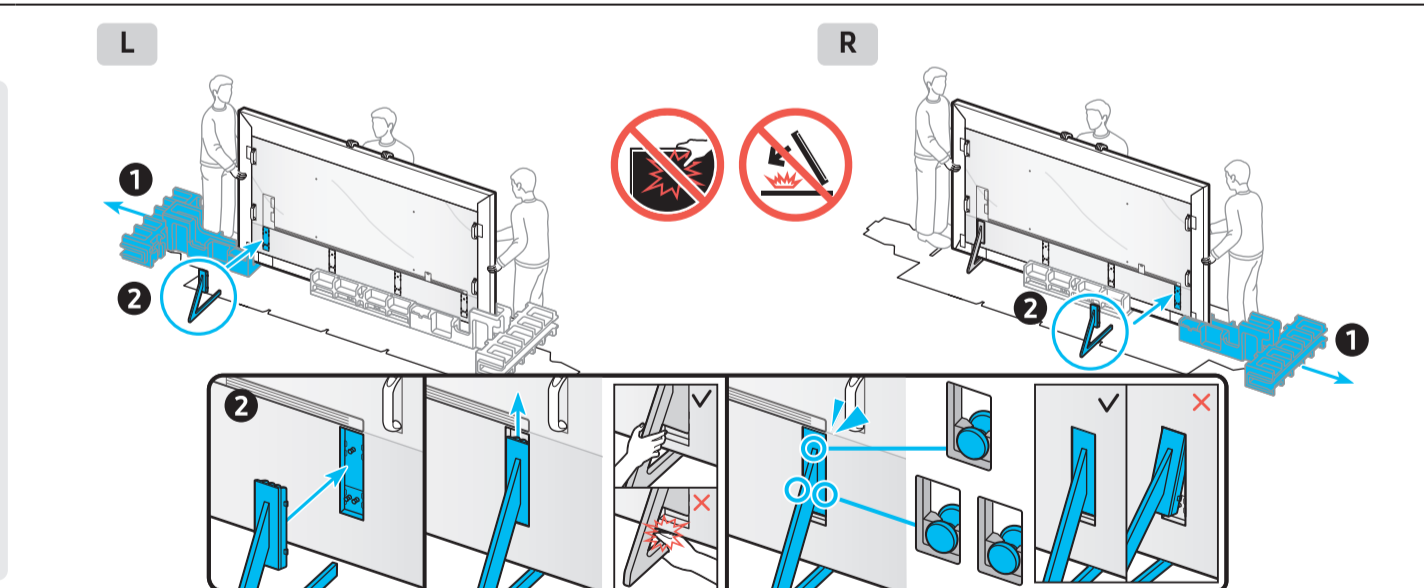
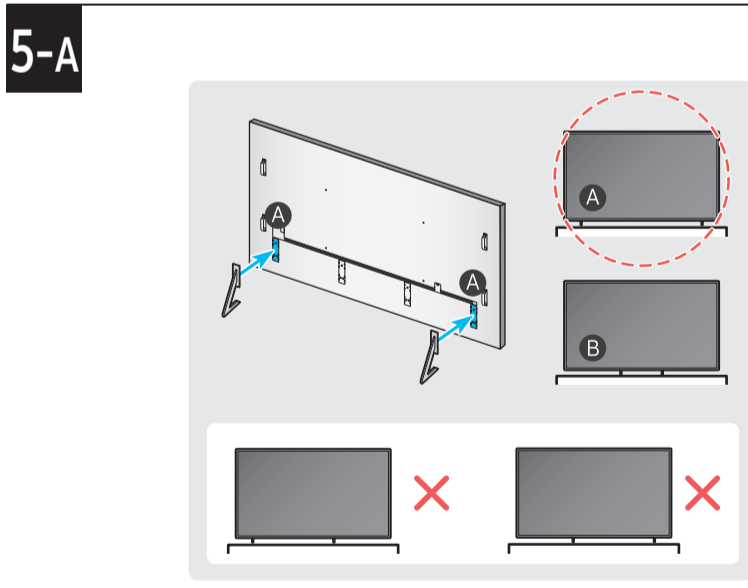
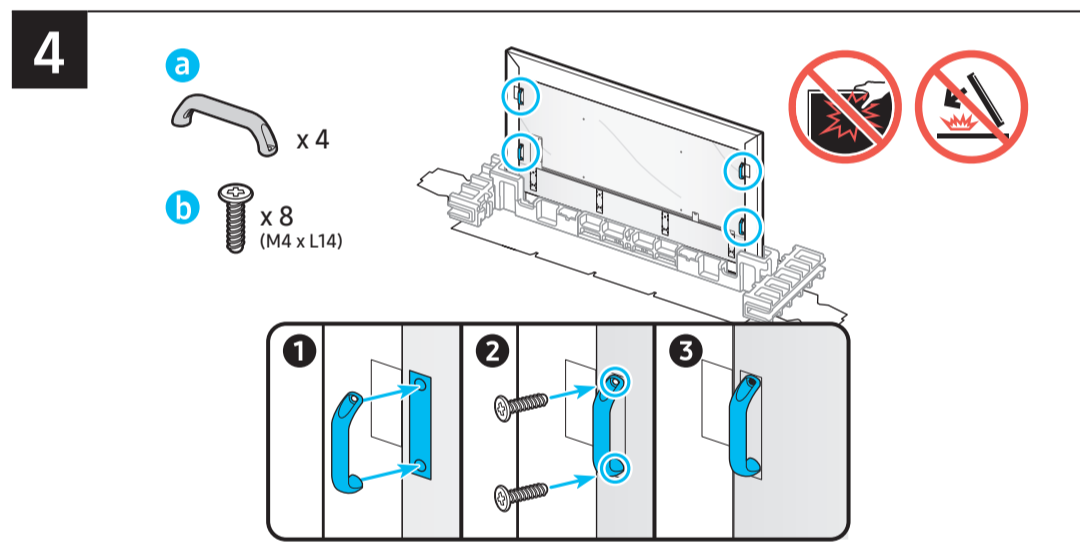
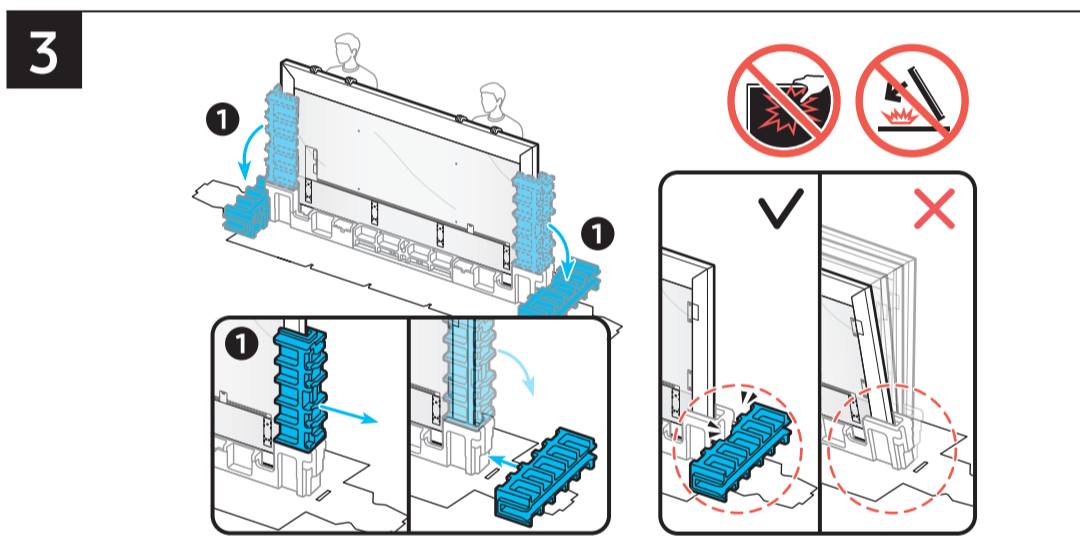
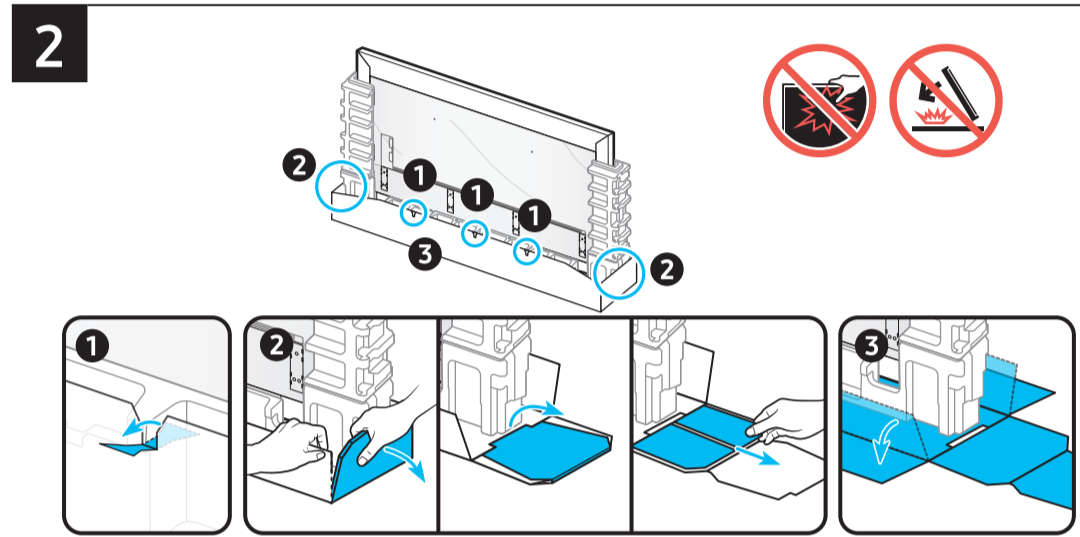
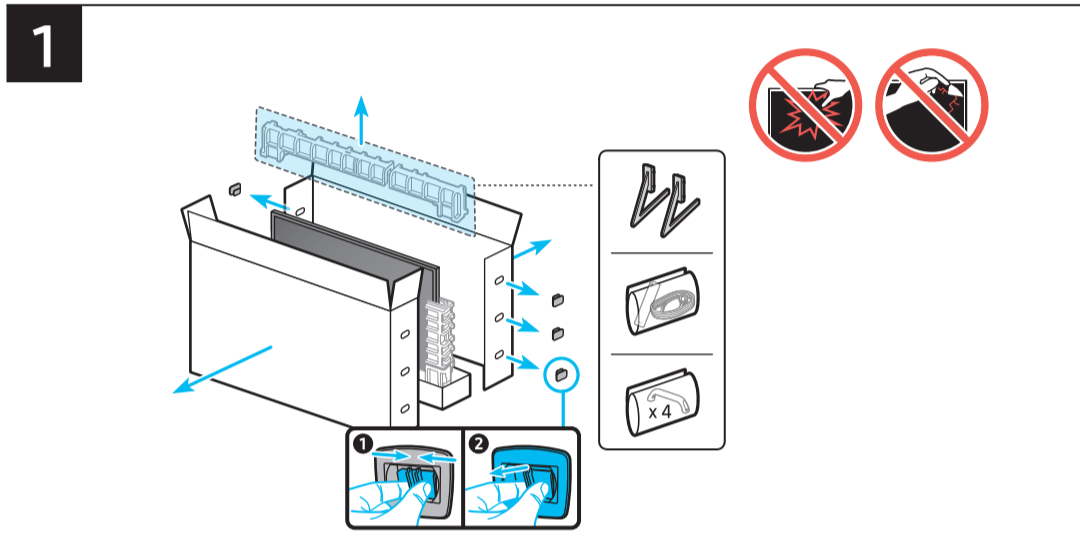
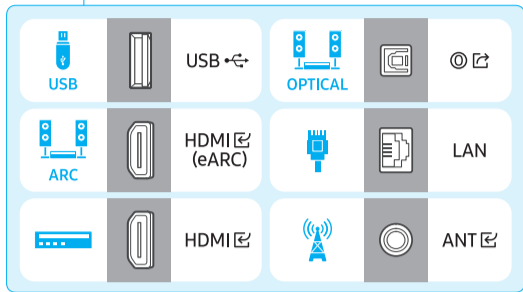
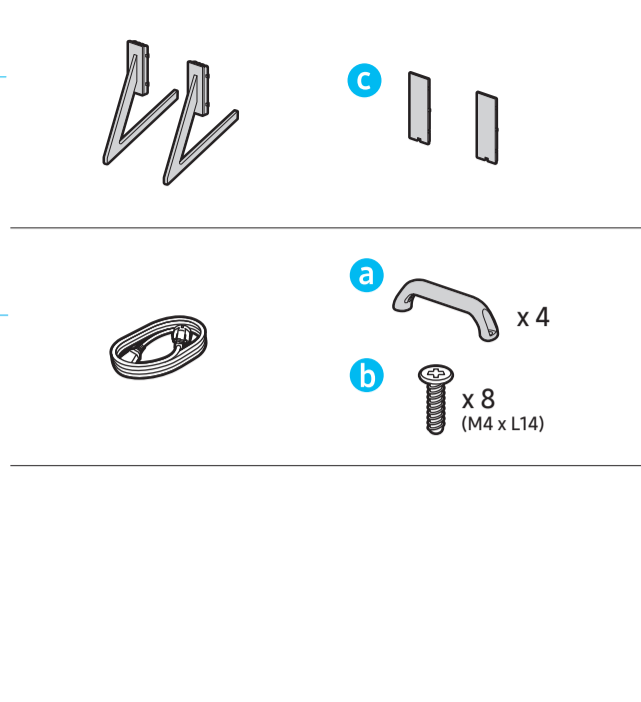
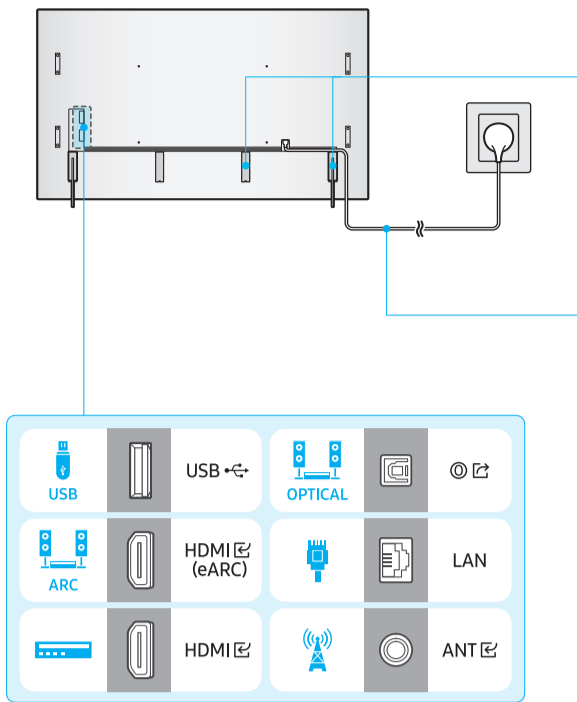
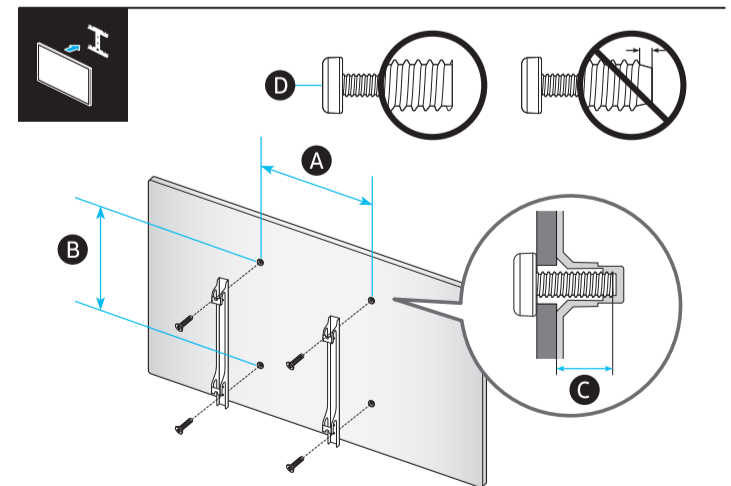
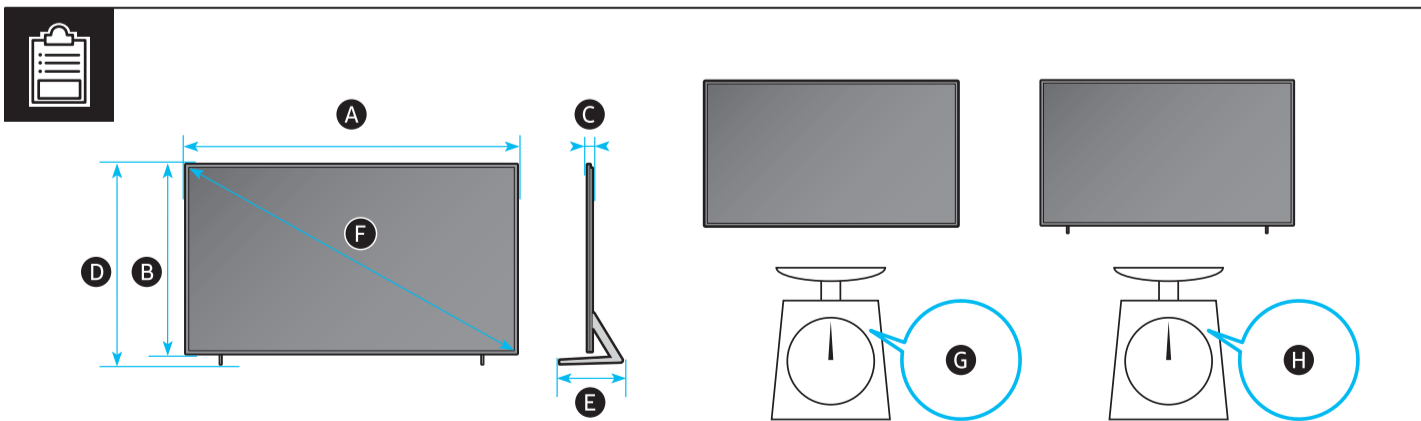
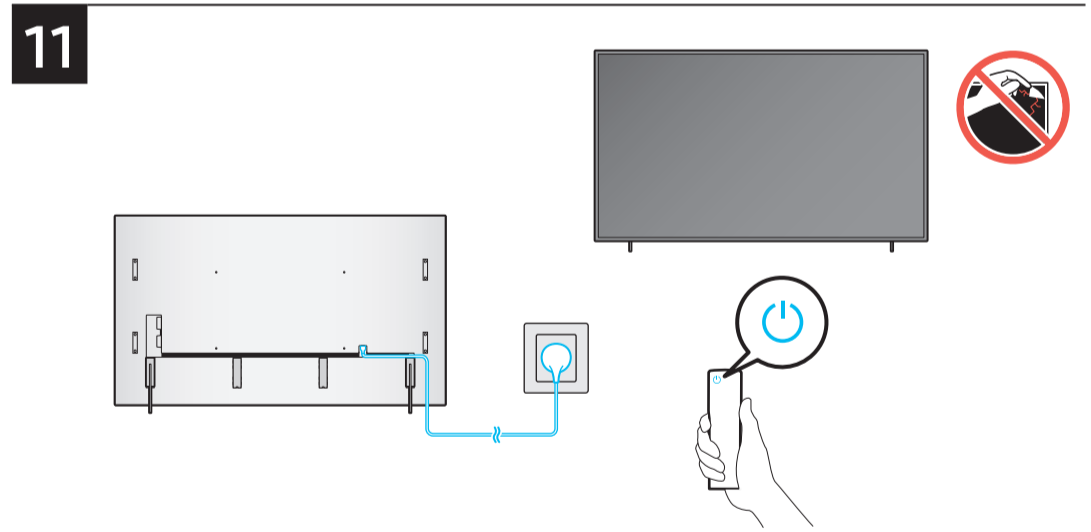
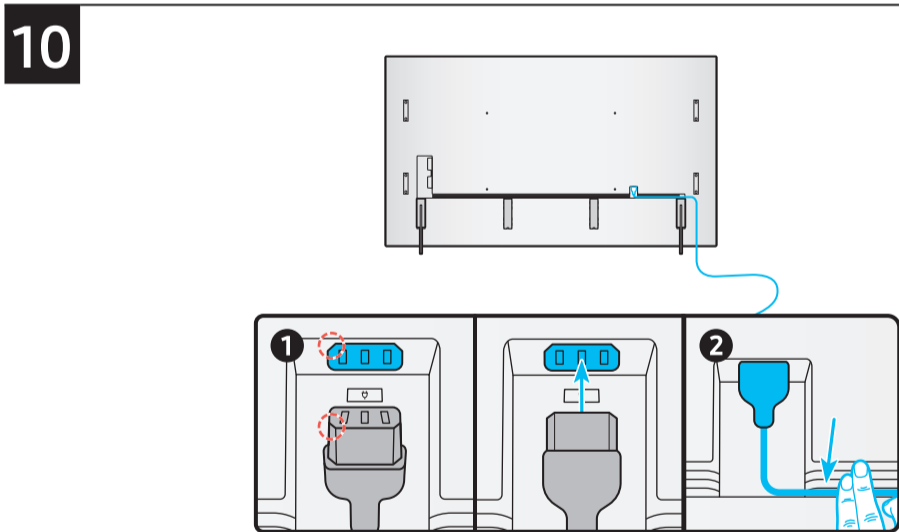
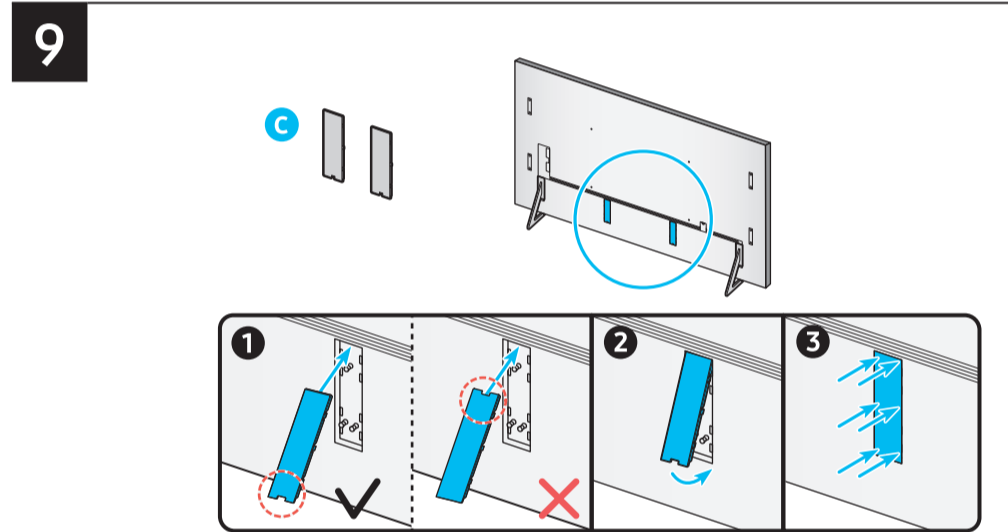
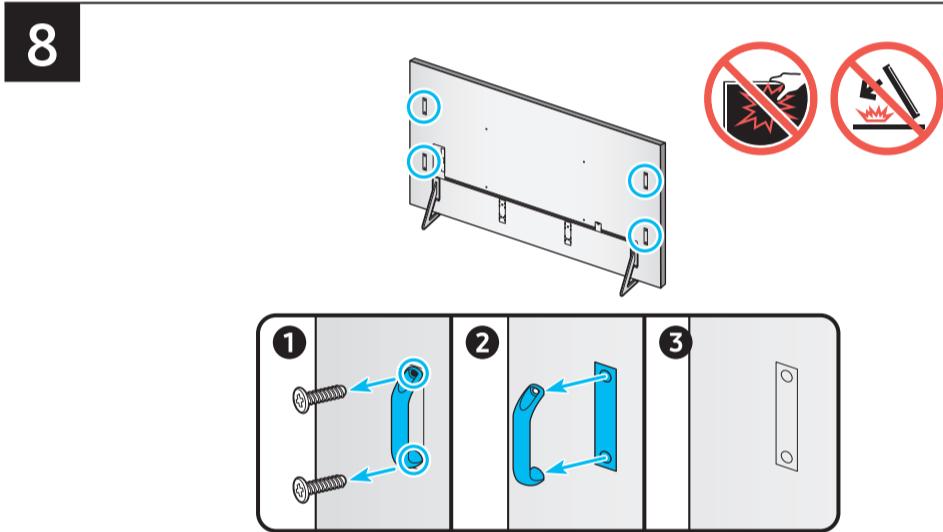
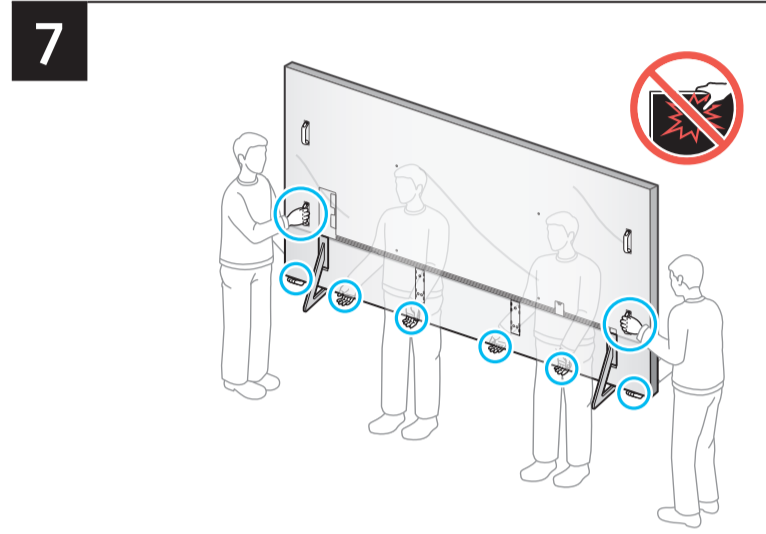
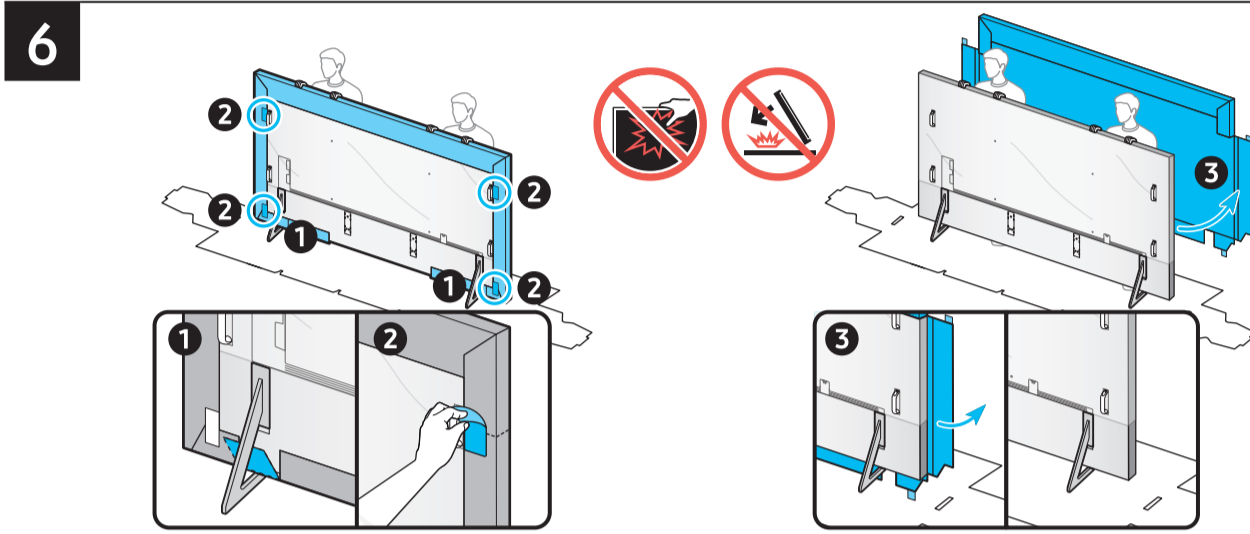
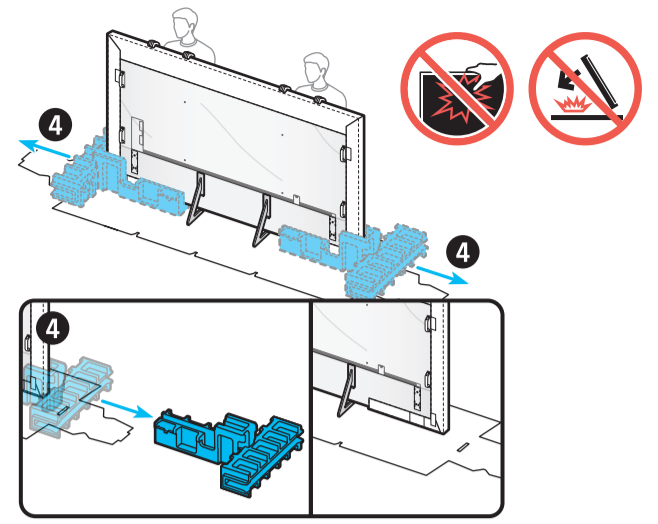
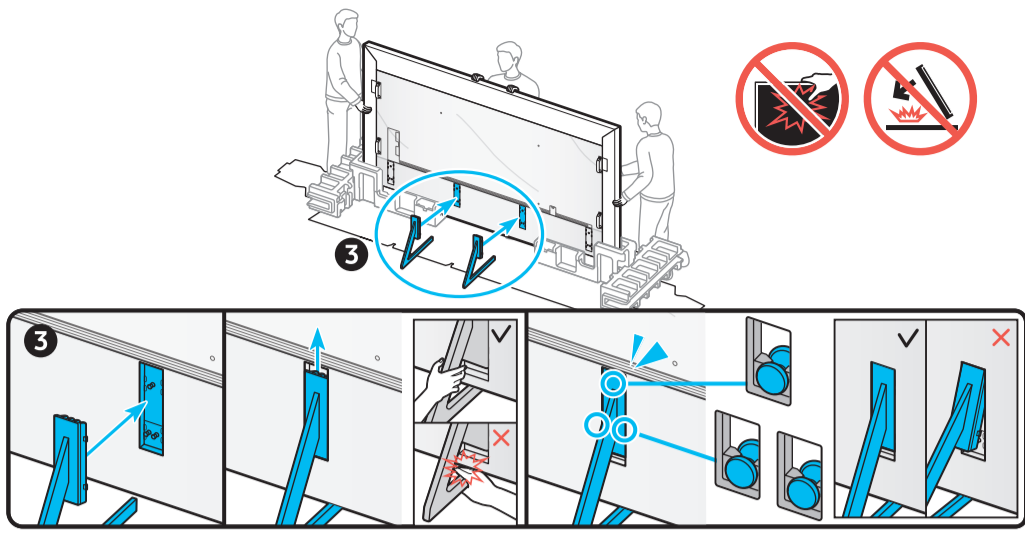


SAMSUNG



Unpacking and Installation Guide
 Guide de déballage et d'installation
 Guía de desembalaje e instalación
 Manual de desempacotamento e instalação
 Auspacken und Installationsanleitung
 Guida al disimballaggio e all'installazione
 Руководство по распаковке и установке
 Қаптамадан шығару және орнату нұсқаулығы
 Посібник з розпаковки та встановлення
 Qadoqdan chiqarish va o'rnatish qo'llanmasi





*: 0-9, A-Z

	A	B	C	D	E	F	G	H
115QN9*F	101.0 inches (2565.2 mm) (2565,2 MM) (256.52 cm)	57.8 inches (1467.6 mm) (1467,6 MM) (146.76 cm)	1.3 inches (34.1 mm) (34,1 MM) (3.41 cm)	60.0 inches (1525.0 mm) (1525,0 MM) (152.50 cm)	18.4 inches (467.2 mm) (467,2 MM) (46.72 cm)	114.5 inches (290 cm) (290 MM) (29.0 cm)	184.5 lbs (83.7 kg) (83,7 KR)	189.6 lbs (86.0 kg) (86,0 KR)
115MR9*F	101.2 inches (2570.4 mm) (2570,4 MM) (257.04 cm)	58.2 inches (1478.0 mm) (1478,0 MM) (147.80 cm)	1.4 inches (35.7 mm) (35,7 MM) (3.57 cm)	60.4 inches (1534.0 mm) (1534,0 MM) (153.40 cm)	18.4 inches (468.1 mm) (468,1 MM) (46.81 cm)	114.5 inches (290 cm) (290 MM) (29.0 cm)	194.0 lbs (88.0 kg) (88,0 KR)	199.5 lbs (90.5 kg) (90,5 KR)

*: 0-9, A-Z

	VESA A x B (mm) VESA A x B (MM)	C (mm) C (MM)	D x 4
115QN9*F 115MR9*F	1000 x 600	16-18	M8