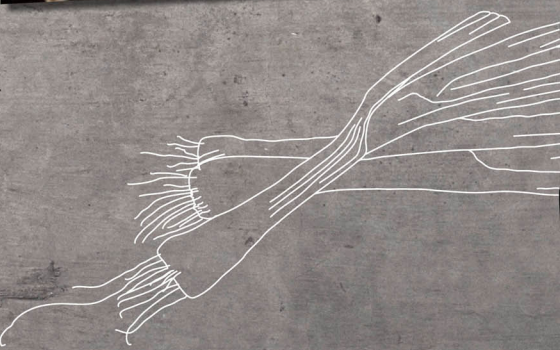


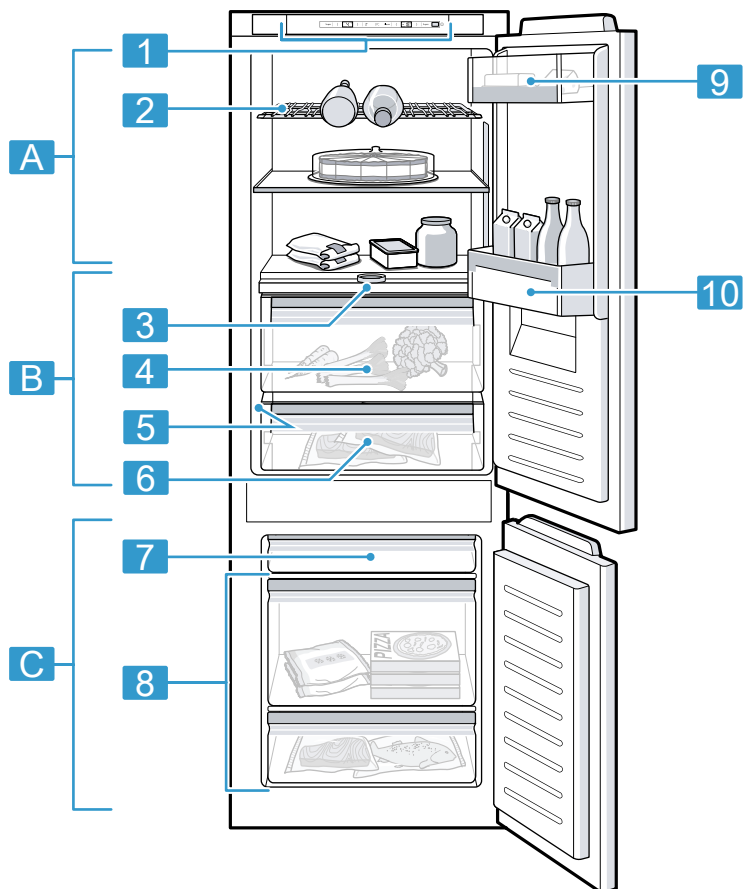


Fridge-freezer  
Koelvriescombinatie

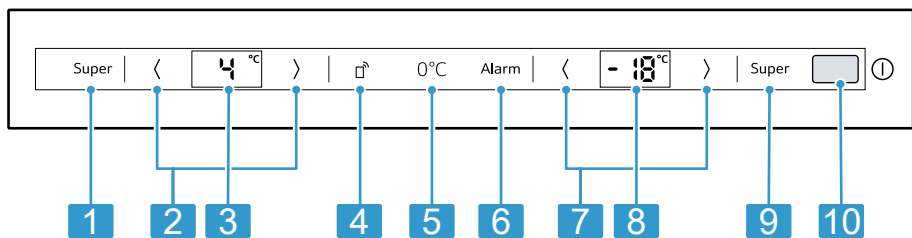
[en] User manual  
[nl] Gebruiksaanwijzing

**K1886..**

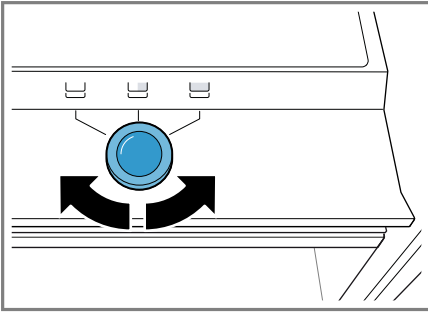




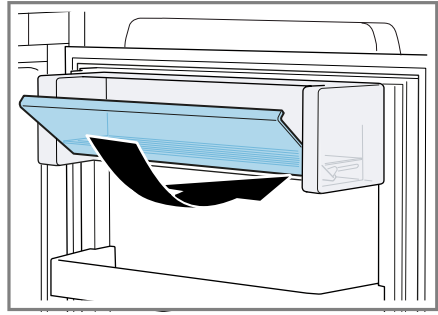
1



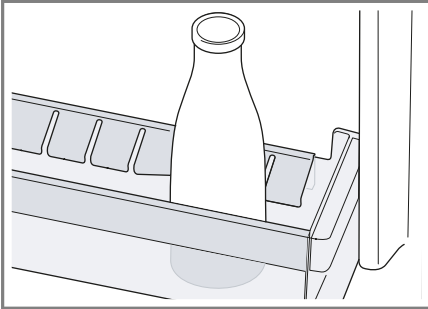
2



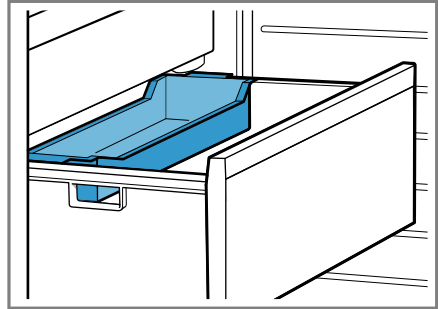
3



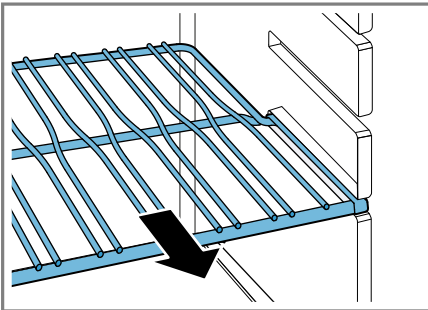
4



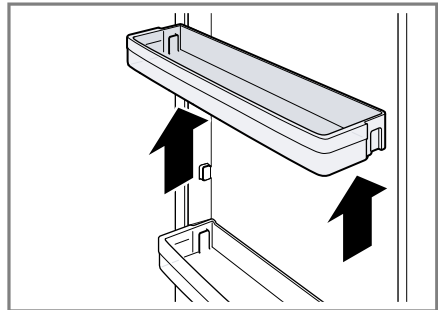
5



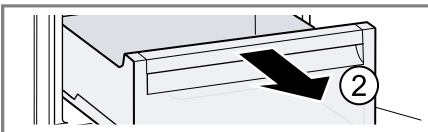
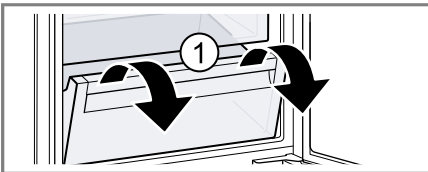
6



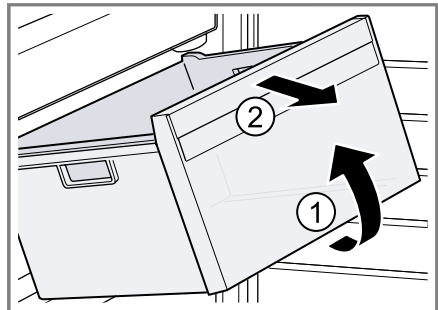
7



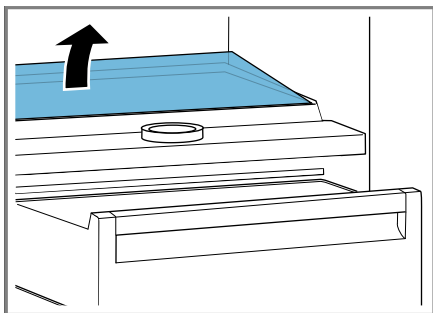
8



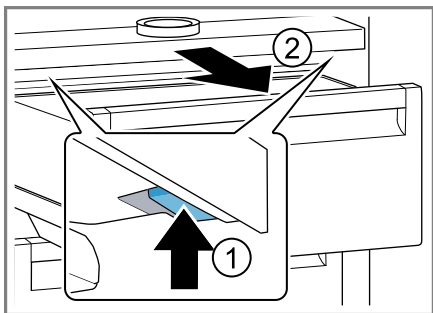
9



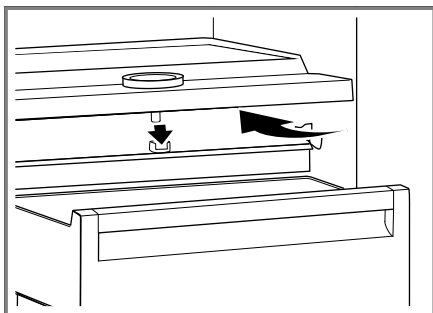
10



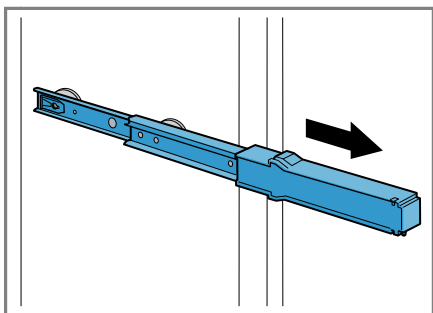
11



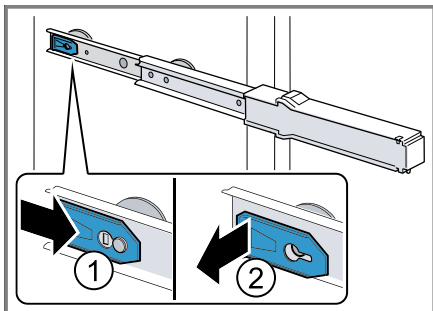
12



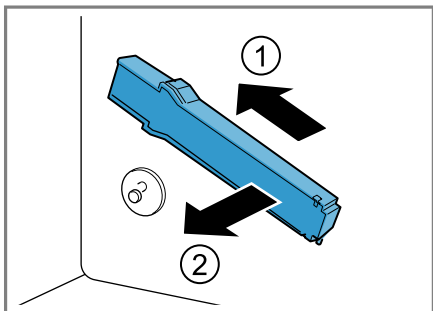
13



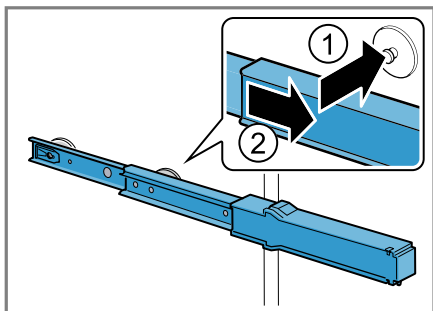
14



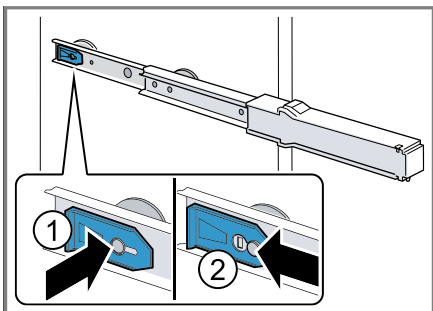
15



16



17



18

# Table of contents

<b>Safety</b> .....	<b>7</b>	Switching off the appliance .....	18
General information .....	7	Setting the temperature .....	19
Intended use .....	7	<b>Additional functions</b> .....	<b>19</b>
Restriction on user group .....	7	Super cooling .....	19
Safe transport .....	8	Automatic Super freezing .....	19
Safe installation .....	8	Manual Super freezing .....	20
Safe use .....	9	Holiday mode .....	20
Damaged appliance .....	11	<b>Alarm</b> .....	<b>21</b>
<b>Preventing material damage</b> .....	<b>13</b>	Door alarm .....	21
<b>Environmental protection and saving energy</b> .....	<b>13</b>	Temperature alarm .....	21
Disposing of packaging .....	13	<b>Home Connect</b> .....	<b>21</b>
Saving energy .....	13	Connecting the appliance to a WLAN home network (Wi-Fi) with WPS function .....	22
<b>Installation and connection</b> .....	<b>14</b>	Connecting the appliance to a WLAN home network (Wi-Fi) without WPS function .....	22
Scope of delivery .....	14	Connecting the appliance to the Home Connect app .....	23
Installing and connecting the appliance .....	14	Checking the signal strength .....	24
Criteria for the installation location .....	15	Installing the Home Connect software update .....	24
Preparing the appliance for the first time .....	15	Resetting Home Connect settings .....	24
Connecting the appliance to the electricity supply .....	15	Data protection .....	25
<b>Familiarising yourself with your appliance</b> .....	<b>16</b>	Declaration of Conformity .....	25
Appliance .....	16	<b>Refrigerator compartment</b> .....	<b>26</b>
Controls .....	16	Tips for storing food in the refrigerator compartment .....	26
<b>Features</b> .....	<b>16</b>	Chill zones in the refrigerator compartment .....	26
Shelf .....	17	<b>Cool-fresh compartment</b> .....	<b>26</b>
Bottle shelf .....	17	Storage times in the cool-fresh compartment at 0 °C .....	27
Fruit and vegetable container .....	17	<b>Freezer compartment</b> .....	<b>27</b>
Cool-fresh container .....	17	Freezing capacity .....	27
Butter and cheese compartment ...	17	Fully utilising the freezer compartment volume .....	27
Door racks .....	17		
Accessories .....	17		
<b>Basic operation</b> .....	<b>18</b>		
Switching on the appliance .....	18		
Operating tips .....	18		

Tips for buying frozen food .....	27
Tips for storing food in the freezer compartment .....	28
Freezing smaller amounts of food quickly .....	28
Tips for freezing fresh food .....	28
Shelf life of frozen food at -18 °C.....	29
Freezer calendar .....	29
Defrosting methods for frozen food .....	29
<b>Defrosting .....</b>	<b>30</b>
Defrosting in the refrigerator compartment .....	30
Defrosting in the cool-fresh com- partment .....	30
Defrosting in the freezer com- partment .....	30
<b>Cleaning and servicing .....</b>	<b>30</b>
Preparing the appliance for cleaning .....	30
Cleaning the appliance .....	30
Removing the fittings.....	31
Removing appliance compon- ents.....	31
<b>Troubleshooting.....</b>	<b>33</b>
Malfunctions .....	33
Information on display panel.....	34
Temperature problem.....	34
Noise .....	35
Odours.....	36
Conducting an appliance self- test.....	37
<b>Storage and disposal.....</b>	<b>37</b>
Switching off the appliance .....	37
Disposing of old appliance .....	37
<b>Customer Service.....</b>	<b>38</b>
Product number (E-Nr.) and pro- duction number (FD).....	38
<b>Technical data .....</b>	<b>38</b>



## Safety

Please read the safety information to ensure that you use the appliance safely.

### General information

You can find general information about this instruction manual here.

- Read this instruction manual carefully. Only this will ensure you use the appliance safely and efficiently.
- This manual is intended for the user of the appliance.
- Follow the safety instructions and warnings.
- Keep the instruction manual and the product information safe for future reference or for the next owner.
- Check the appliance after unpacking it. Do not connect the appliance if it has been damaged in transit.

### Intended use

Read the information on intended use to ensure that you use the appliance correctly and safely.

This appliance is only intended to be fully fitted in a kitchen.

Only use this appliance:

- As specified in this instruction manual.
- For chilling and freezing food and making ice.
- In private households and in enclosed spaces in a domestic environment.
- Up to an altitude of max. 2000 m above sea level.

### Restriction on user group

Avoid risks to children and vulnerable persons.

This appliance may be used by children aged 8 or over and by people who have reduced physical, sensory or mental abilities or inadequate experience and/or knowledge, provided that they are supervised or have been instructed on how to use the appliance safely and have understood the resulting dangers.

Children must not play with the appliance.

Cleaning and user maintenance must not be performed by children unless they are being supervised.

Keep children under the age of 8 years away from the appliance and power cable.

Children above the age of three years old and younger than eight years old may load and unload the the fridge-freezer.

### **Safe transport**

Follow these safety instructions when transporting the appliance.

#### **WARNING – Risk of injury!**

The high weight of the appliance may result in injury when lifted.

- ▶ Do not lift the appliance on your own.

### **Safe installation**

Follow these safety instructions when installing the appliance.

#### **WARNING – Risk of electric shock!**

- Improper installation is dangerous.
  - ▶ Connect and operate the appliance only in accordance with the specifications on the rating plate.
  - ▶ Connect the appliance to a power supply with alternating current only via a properly installed socket with earthing.
  - ▶ The protective conductor system of the domestic electrical installation must be properly installed.
  - ▶ Never equip the appliance with an external switching device, e.g. a timer or remote control.
  - ▶ When the appliance is installed, the mains plug of the power cord must be freely accessible. If free access is not possible, an all-pole isolating switch must be installed in the permanent electrical installation according to the installation regulations.
  - ▶ When installing the appliance, check that the power cable is not trapped or damaged.

- If the insulation of the power cord is damaged, this is dangerous.
  - ▶ Never let the power cord come into contact with heat sources.
  - ▶ Never let the power cord come into contact with sharp points or edges.
  - ▶ Never kink, crush or modify the power cord.

**⚠ WARNING – Risk of fire!**

- It is dangerous to use an extended power cord and non-approved adapters.
  - ▶ Do not use extension cables or multiple socket strips.
  - ▶ If the power cord is too short, contact Customer Service.
  - ▶ Only use adapters approved by the manufacturer.
- Portable multiple socket strips or portable power supply units may overheat and cause a fire.
  - ▶ Do not place portable multiple socket strips or power supply units on the back of the appliance.

**Safe use**

Follow these safety instructions when using the appliance.

**⚠ WARNING – Risk of electric shock!**

An ingress of moisture can cause an electric shock.

- ▶ Only use the appliance in enclosed spaces.
- ▶ Never expose the appliance to intense heat or humidity.
- ▶ Do not use steam- or high-pressure cleaners to clean the appliance.

**⚠ WARNING – Risk of suffocation!**

- Children may put packaging material over their heads or wrap themselves up in it and suffocate.
  - ▶ Keep packaging material away from children.
  - ▶ Do not let children play with packaging material.
- Children may breathe in or swallow small parts, causing them to suffocate.
  - ▶ Keep small parts away from children.

- ▶ Do not let children play with small parts.

**⚠ WARNING – Risk of explosion!**

- Mechanical devices or other devices may damage the refrigeration circuit; flammable refrigerant may escape and explode.
  - ▶ To accelerate the defrosting process, do not use any other mechanical devices or devices other than those recommended by the manufacturer.
- Products which contain flammable propellants and explosive substances may explode, e.g. spray cans.
  - ▶ Do not store products which contain flammable propellants (e.g. spray cans) or explosive substances in the appliance.

**⚠ WARNING – Risk of fire!**

Electrical devices within the appliance may cause a fire, e.g. heaters or electric ice makers.

- ▶ Do not operate electrical devices within the appliance.

**⚠ WARNING – Risk of injury!**

- Containers that contain carbonated drinks may burst.
  - ▶ Do not store containers that contain carbonated drinks in the cool-fresh compartment.
  - ▶ Do not store containers that contain carbonated drinks in the freezer compartment.
- Injury to the eyes caused by escaping flammable refrigerant and hazardous gases.
  - ▶ Do not damage the tubes of the refrigerant circuit or the insulation.

**⚠ WARNING – Risk of cold burns!**

Contact with frozen food and cold surfaces may cause burns by refrigeration.

- ▶ Never put frozen food straight from the freezer compartment into your mouth.
- ▶ Avoid prolonged contact of skin with frozen food, ice and the tubes in the freezer compartment.

**⚠ CAUTION – Risk of harm to health!**

To prevent food from being contaminated, you must observe the following instructions.

- ▶ If the door is open for an extended period of time, this may lead to a considerable temperature increase in the compartments of the appliance.
- ▶ Regularly clean the surfaces that may come into contact with food and accessible drain systems.
- ▶ Store raw meat and fish in suitable containers in the refrigerator so that they do not touch or drip on other food.
- ▶ If the fridge/freezer is empty for an extended period of time, switch off the appliance, defrost it, clean it and leave the door open to prevent the formation of mould.

**Damaged appliance**

Follow the safety instructions if your appliance is damaged.

**⚠ WARNING – Risk of electric shock!**

- If the appliance or the power cord is damaged, this is dangerous.
  - ▶ Never operate a damaged appliance.
  - ▶ Never operate an appliance with a cracked or fractured surface.
  - ▶ Never pull on the power cord to unplug the appliance. Always unplug the appliance at the mains.
  - ▶ If the appliance or the power cord is damaged, immediately unplug the power cord or switch off the fuse in the fuse box.
  - ▶ Call Customer Service. → *Page 38*
  - ▶ Repairs to the appliance should only be carried out by trained specialist staff.
- Improper repairs are dangerous.
  - ▶ Repairs to the appliance should only be carried out by trained specialist staff.
  - ▶ Only use genuine spare parts when repairing the appliance.

- ▶ If the power cord of this appliance is damaged, it must be replaced by the manufacturer, the manufacturer's Customer Service or a similarly qualified person in order to prevent any risk.

**⚠ WARNING – Risk of fire!**



If the tubes are damaged, flammable refrigerant and harmful gases may escape and ignite.

- ▶ Keep naked flames and ignition sources away from the appliance.
- ▶ Ventilate the room.
- ▶ Switch off the appliance. → *Page 18*
- ▶ Unplug the appliance from the mains or switch off the circuit breaker in the fuse box.
- ▶ Call after-sales service. → *Page 38*

---

## Preventing material damage

Follow these instructions to prevent material damage to your appliance, accessories or other objects in your kitchen.

### ATTENTION!

- Contamination with oil or fat may cause plastic parts and door seals to become porous.
  - ▶ Keep plastic parts and door seals free of oil and grease.
- Using the base, runners or appliance doors as a seat surface or climbing surface may damage the appliance.
  - ▶ Do not stand or support yourself on the base, runners or doors.

---

## Environmental protection and saving energy

Help protect the environment by using your appliance in a way that conserves resources and by disposing of reusable materials properly.

### Disposing of packaging

The packaging materials are environmentally compatible and can be recycled.

- ▶ Sort the individual components by type and dispose of them separately.

Information about current disposal methods are available from your specialist dealer or local authority.

## Saving energy

If you follow these instructions, your appliance will use less power.

### Selecting the installation location

Follow these instructions when installing your appliance.

- Keep the appliance out of direct sunlight.
- Install the appliance as far away as possible from heating elements, cookers and other heat sources:
  - Maintain a 30 mm clearance to electric or gas cookers.
  - Maintain a 30 cm clearance to oil or solid-fuel cookers.
- + The appliance needs to cool less frequently at low ambient temperatures.
  - Use a niche depth of 560 mm.
  - Do not cover or block ventilation openings.
  - Ventilate the room daily.
- + The air on the back wall of the appliance can escape more easily and the appliance does not warm up so intensely.
 

The appliance must cool less frequently.

### Saving energy during use

Follow these instructions when using your appliance.

**Note:** The arrangement of the fittings does not affect the energy consumption of the appliance.

## en Installation and connection

- Do not cover or block ventilation openings.
- + The air on the back wall of the appliance can escape more easily and the appliance does not warm up so intensely.
- Open the appliance door only briefly.
- Transport purchased food in a cool bag and place in the appliance quickly.
- Allow warm food and drinks to cool down before placing them in the appliance.
- Thaw frozen food in the refrigerator compartment to utilise the low temperature of the food.
- + The air in the appliance does not warm up so intensely. The appliance must cool less frequently.
- Always leave some space between the food and to the back panel.
- Pack the food airtight.
- + The air can circulate and the air humidity remains constant.
- Only open the freezer compartment door briefly and then carefully close it.
- + A closed freezer compartment door protects the freezer compartment against severe icing.

---

## Installation and connection

You can find out where and how best to install your appliance here. You will also learn how to connect your appliance to the power supply.

### Scope of delivery

After unpacking all parts, check for any transport damage and check the completeness of the delivery. If you have any complaints, contact your dealer or our after-sales service → *Page 38*.

The delivery consists of the following:

- Built-in appliance
- Equipment and accessories<sup>1</sup>
- Installation material
- Installation instructions
- Operating instructions
- Customer service booklet
- Warranty enclosure<sup>2</sup>
- Energy label
- Product data sheet
- Information on the energy consumption and noises
- Information about Home Connect

### Installing and connecting the appliance

**Requirement:** The scope of delivery of the appliance is checked.  
→ *Page 14*

1. Observe the criteria for the appliance's installation location.  
→ *Page 15*
2. Install the appliance according to the enclosed installation instructions.

---

<sup>1</sup> Depending on the appliance specifications

<sup>2</sup> Not in all countries



3. Prepare the appliance for first use.  
→ Page 15
4. Electrically connect the appliance.  
→ Page 15

## Criteria for the installation location

Follow these instructions when installing your appliance.

### **WARNING** **Risk of explosion!**

If the appliance is in a space that is too small, a leak in the refrigeration circuit may result in a flammable mixture of gas and air.



- ▶ Only install the appliance in a space with a volume of at least 1 m<sup>3</sup> per 8 g refrigerant. The volume of refrigerant is indicated on the rating plate. → Fig.  / 

The weight of the appliance ex works may be up to 75 kg depending on the model.

The subfloor must be of sufficient stability to bear the weight of the appliance.

## Permitted room temperature

The permitted room temperature depends on the appliance's climate class.

The climate class can be found on the rating plate. → Fig.  / 

Climate class	Permitted room temperature
SN	10 °C to 32 °C
N	16 °C to 32 °C
ST	16 °C to 38 °C
T	16 °C to 43 °C

The appliance is fully functional within the permitted room temperature.

If an appliance with climate class SN is operated at colder room temperatures, the appliance will not be damaged up to a room temperature of 5 °C.

## Niche dimensions

Observe the niche dimensions if you install your appliance in the furniture recess. If this is not the case, problems may occur when installing the appliance.

### Niche depth

Install the appliance in the recommended niche depth of 560 mm. If the niche depth is smaller, the energy consumption increases slightly. The niche depth must be a minimum 550 mm.

### Niche width

An inside niche width of at least 560 mm is required for the appliance.

## Side-by-side installation

If you want to install two appliances side by side, you must maintain a distance of at least 150 mm between the appliances.

## Preparing the appliance for the first time

1. Remove the informative material.
2. Remove the protective foil and transit bolts, e.g. remove the adhesive strips and carton.
3. Clean the appliance for the first time. → Page 30

## Connecting the appliance to the electricity supply

1. Insert the mains plug of the appliance's power cable in a socket nearby.

## en Familiarising yourself with your appliance

The connection data of the appliance can be found on the rating plate. → Fig. 1/5

2. Check the mains plug is inserted properly.
- ✓ The appliance is now ready for use.

---

## Familiarising yourself with your appliance

Familiarise yourself with the parts of your appliance.

### Appliance

You can find an overview of the parts of your appliance here.

→ Fig. 1

---

<b>A</b>	Refrigerator compartment
<b>B</b>	Cool-fresh compartment
<b>C</b>	Freezer compartment
<b>1</b>	Controls
<b>2</b>	Bottle shelf → Page 17
<b>3</b>	Partition with humidity controller
<b>4</b>	Fruit and vegetable container → Page 17
<b>5</b>	Rating plate
<b>6</b>	Cool-fresh container → Page 17
<b>7</b>	Flat frozen food container
<b>8</b>	Frozen food container
<b>9</b>	Butter and cheese compartment → Page 17
<b>10</b>	Door storage compartment for large bottles

---

**Note:** Deviations between your appliance and the diagrams may differ with regard to their features and size.

## Controls

The controls are used to configure all functions of your appliance and to obtain information about the operating status.

→ Fig. 2

---

<b>1</b>	<b>Super</b> (Refrigerator compartment) switches Super cooling on or off.
<b>2</b>	⟨⟩ (Refrigerator compartment) sets the temperature of the refrigerator compartment.
<b>3</b>	Displays the set temperature for the refrigerator compartment in °C.
<b>4</b>	⏏ opens the menu for setting Home Connect.
<b>5</b>	0°C lights up when the appliance is operating.
<b>6</b>	<b>Alarm</b> switches the warning signal off.
<b>7</b>	⟨⟩ (Freezer compartment) sets the temperature of the freezer compartment.
<b>8</b>	Displays the set temperature for the freezer compartment in °C.
<b>9</b>	<b>Super</b> (Freezer compartment) switches Super freezing on or off.
<b>10</b>	Ⓞ switches the appliance on or off.

---

---

## Features

Here you can see an overview of the features of your appliance and their use.

The features of your appliance depend on the model.

## Shelf

To vary the shelves as required, remove the shelf and re-insert it elsewhere.

→ "Removing the shelf", Page 31

## Bottle shelf

Store bottles securely on the bottle shelf.

To vary the bottle shelf as required, remove the bottle shelf and re-insert it elsewhere.

→ "Removing the bottle shelf", Page 31

## Fruit and vegetable container

Store fresh fruit and vegetables in the fruit and vegetable container.

You can adjust the humidity in the fruit and vegetable container via the humidity controller on the partition and a special seal.

→ Fig. **3**

The air humidity in the fruit and vegetable container can be set according to the type and amount of food to be stored:

- Low humidity required when primarily storing fruit or if the appliance is very full.
- Higher humidity required when primarily storing vegetables as well as when the appliance is filled with mixed items or is not very full.

Condensation may form in the fruit and vegetable container depending on the food and quantity stored. Remove the condensation with a dry cloth and adjust the air humidity using the humidity controller.

To ensure that the quality and aroma are retained, store fruit and vegetables that are sensitive to cold outside of the appliance at temperatures of approx. 8 °C to 12 °C.

---

Fruit that is sensitive to cold	<ul style="list-style-type: none"> <li>■ Pineapples</li> <li>■ Bananas</li> <li>■ Mangoes</li> <li>■ Papayas</li> <li>■ Citrus fruits</li> </ul>
---------------------------------	--

---

Vegetables that are sensitive to cold	<ul style="list-style-type: none"> <li>■ Aubergines</li> <li>■ Gherkins</li> <li>■ Courgettes</li> <li>■ Peppers</li> <li>■ Tomatoes</li> <li>■ Potatoes</li> </ul>
---------------------------------------	---

---

## Cool-fresh container

Use the lower temperatures in the cool-fresh container to store perishable food, e.g. fish, meat and sausages.

## Butter and cheese compartment

Store butter and hard cheese in the butter and cheese compartment. To open the butter and cheese compartment, press down lightly on the centre of the flap.

**Note:** The compartment opens downwards. The flap slides under the compartment.

→ Fig. **4**

## Door racks

To adjust the door racks as required, remove the door rack and re-insert elsewhere.

→ "Removing door racks", Page 31

## Accessories

Only use original accessories. These have been made especially for your appliance. Here you can find an overview of your appliance's accessories and how to use them.

The accessories for your appliance depend on the model.

## Egg tray

Store eggs safely on the egg tray.

## Bottle holder

The bottle holder prevents bottles from falling over when the appliance door is opened and closed.

→ Fig. 5

## Freezer tray

You can freeze smaller quantities of food quickly in the freezer drawer, e.g. berries, pieces of fruit, herbs and vegetables.

→ Fig. 6

Distribute the frozen food evenly in the frozen food tray and allow to freeze for approx. 10 to 12 hours. Then place in a freezer bag or a freezer box.

## Ice pack

Use the ice pack for temporarily keeping food cool, e.g. in a cool bag.

**Tip:** If a power failure or malfunction occurs, the ice pack can be used to slow down the thawing process for the stored frozen food.

## Ice cube tray

Use the ice cube tray to make ice cubes.

## Making ice cubes

1. Fill the ice cube tray with water up to  $\frac{3}{4}$  and place in the freezer compartment.

If the ice cube tray is stuck to the freezer compartment, loosen with a blunt implement only (e.g. spoon handle).

2. To loosen the ice cubes, twist the ice cube tray slightly or hold briefly under flowing water.

---

## Basic operation

You can find out everything you need to know about operating your appliance here.

## Switching on the appliance

1. Press ①.
  - ✓ The appliance begins to cool.
  - ✓ A warning signal sounds, the temperature display (freezer compartment) flashes and Alarm lights up because the freezer compartment is still too warm.
2. Switch off the warning signal with Alarm.
  - ✓ Alarm goes out as soon as the set temperature has been reached.
3. Set the required temperature.  
→ Page 19

## Operating tips

- Once you have switched on the appliance, the set temperature is only reached after several hours. Do not put in any food in the appliance until the temperature is reached.
- The housing around the freezer compartment is temporarily heated slightly. This prevents condensation in the area of the door seal.
- When you close the door of the freezer compartment, a vacuum may be created and you may not be able to open the freezer door again immediately. Wait a moment until the vacuum is offset.

## Switching off the appliance

- ▶ Press ①.
- ✓ The appliance stops cooling.

## Setting the temperature

After you have switched on the appliance, you can set the temperature.

### Setting the refrigerator compartment temperature

- ▶ Press  $\langle \rangle$  (Refrigerator compartment) repeatedly until the temperature display (refrigerator compartment) shows the required temperature.

The recommended temperature in the refrigerator compartment is 4 °C.

### Setting the cool-fresh compartment temperature

**Note:** The temperature in the cool-fresh compartment is kept at around 0 °C.

- ▶ If frost forms on the food items in the cool-fresh compartment, set a higher cool-fresh temperature.  
→ Page 35

### Setting the freezer compartment temperature

- ▶ Press  $\langle \rangle$  (Freezer compartment) repeatedly until the temperature display (freezer compartment) shows the required temperature.

The recommended temperature in the freezer compartment is -18 °C.

---

## Additional functions

Find out which additional functions which can be used for your appliance.

### Super cooling

Super cooling cools the refrigerator compartment to make it as cold as possible. This cools food and drinks quickly through.

Switch on Super cooling before placing large quantities of food in the freezer compartment.

**Note:** When Super cooling is switched on, increased noise may occur.

### Switching on Super cooling

- ▶ Press Super (Refrigerator compartment).
- ✓ Super (Refrigerator compartment) lights up.

**Note:** After approx. 15 hours, the appliance switches to normal operation.

### Switching off Super cooling

- ▶ Press Super (Refrigerator compartment).
- ✓ The previously set temperature is displayed.

### Automatic Super freezing

Automatic Super freezing automatically switches on when warm food is placed in the freezer.

With automatic Super freezing, the freezer compartment cools down to a much lower temperature than for normal mode. This freezes food quickly right through to the centre.

If the automatic Super freezing is switched on, Super (Freezer compartment) lights up and increased noises may occur.

## en Additional functions

After operation, the appliance switches from automatic Super freezing to normal operation.

### Cancelling automatic Super freezing

- ▶ Press Super (Freezer compartment).
- ✓ The previously set temperature is displayed.

### Manual Super freezing

Super freezing cools the freezer compartment as cold as possible. This freezes food quickly right through to the centre.

Switch off Super freezing four to six hours before placing food weighing 2 kg or more into the freezer compartment.

In order to utilise the freezer capacity, use Super freezing.

→ "Prerequisites for freezing capacity", Page 27

**Note:** When Super freezing is switched on, increased noise may occur.

### Switching on manual Super freezing

- ▶ Press Super (Freezer compartment).
- ✓ Super (Freezer compartment) lights up.

**Note:** After approx. 60 hours, the appliance switches to normal operation.

### Switching off manual Super freezing

- ▶ Press Super (Freezer compartment).
- ✓ The previously set temperature is displayed.

## Holiday mode

If you are going to be away for a long time, you can select energy-saving holiday mode on the appliance.

### ⚠ CAUTION

#### Risk of harm to health!

The refrigerator compartment heats up while the vacation mode is switched on. The increased temperature may cause bacteria to develop and spoil the food.

- ▶ When the vacation mode is switched on, do not store any food in the refrigerator compartment.

The appliance automatically sets the temperatures.

Compartment	Temperature
Refrigerator compartment	14 °C
Freezer compartment	Unchanged

Do not store any food in the refrigerator compartment during this time.

### Switching on vacation mode

- ▶ Press > (Refrigerator compartment) repeatedly until the temperature display (refrigerator compartment) shows **Ho**.
- ✓ No temperature is shown in the temperature display (refrigerator compartment).

### Switching off vacation mode

- ▶ Press < (Refrigerator compartment) repeatedly until the temperature display (refrigerator compartment) shows the required temperature.

---

## Alarm

Your appliance is equipped with alarm functions.

### Door alarm

If the appliance door is open for a longer period, the door alarm switches on.

### Switching off the warning signal (door alarm)

- ▶ Close the appliance door or press Alarm.
- ✓ The warning tone is switched off.

### Temperature alarm

If the freezer compartment becomes too warm, the temperature alarm is switched on.

#### CAUTION

#### Risk of harm to health!

During the thawing process, bacteria may develop and spoil the frozen food.

- ▶ Do not refreeze food after it has been defrosted or started to defrost.
- ▶ Refreeze food only after cooking.
- ▶ The frozen items should no longer be stored for the maximum storage period.

The temperature alarm can be switched on without risk to the frozen food in the following cases:

- The appliance is switched on.
- When large quantities of fresh food are put in.
- The freezer compartment door is open for too long.

### Switching off the warning tone (temperature alarm)

- ▶ Press Alarm.
- ✓ The temperature display (freezer compartment) briefly indicates the warmest temperature reached in the freezer compartment. The temperature display (freezer compartment) then indicates the set temperature again.
- ✓ From this time on, the warmest temperature is measured again and saved.
- ✓ Alarm lights up until the set temperature is reached again.

---

## Home Connect

This appliance is network-capable. Connect your appliance to a mobile device to control its functions via the Home Connect app.

The Home Connect services are not available in every country. The availability of the Home Connect function depends on the availability of Home Connect services in your country. You can find information about this at: [www.home-connect.com](http://www.home-connect.com).

To be able to use Home Connect, you must first set up the connection to the WLAN home network (Wi-Fi<sup>1</sup>) and to the Home Connect app. After switching on the appliance, wait at least 2 minutes until internal device initialisation is complete. Only then should you set up Home Connect.

- Connecting appliance to WLAN home network (Wi-Fi) with WPS function → *Page 22*
- Connecting appliance to WLAN home network (Wi-Fi) without WPS function → *Page 22*

---

<sup>1</sup> Wi-Fi is a registered trademark of the Wi-Fi Alliance.

The Home Connect app guides you through the entire login process. Follow the instructions in the Home Connect app to configure the settings.

### Tips

- Please consult the documents supplied by Home Connect.
- Please also follow the instructions in the Home Connect app.

### Notes

- Please note the safety precautions in this instruction manual and make sure that they are also observed when operating the appliance via the Home Connect app.  
→ "Safety", Page 7
- Operating the appliance on the appliance itself always takes priority. During this time it is not possible to operate the appliance using the Home Connect app.

## Connecting the appliance to a WLAN home network (Wi-Fi) with WPS function

If your router has a WPS function, you can connect the appliance to your WLAN home network (Wi-Fi) automatically.

1. Press **□**.
  - ✓ The temperature display (refrigerator compartment) shows **Ln**.
2. Press **</** (Refrigerator compartment) repeatedly until the temperature display (refrigerator compartment) shows **Rn** and the temperature display (freezer compartment) shows **Of**.
3. Press **</** (Freezer compartment).
  - ✓ The temperature display (freezer compartment) shows an animation for two minutes. The appliance is ready for automatic connection to the WLAN home network (Wi-Fi).

4. Activate the WPS function on the router during this period.  
To do this, take note of the information in the documents for your router.
  - ✓ Once successfully connected, **On** flashes in the temperature display (freezer compartment).
5. If the temperature indicator (freezer compartment) shows **Of**, the appliance was unable to establish a connection to the WLAN home network (Wi-Fi).
  - Check whether the appliance is located within the range of the WLAN home network (Wi-Fi).  
→ "Checking the signal strength", Page 24
  - Repeat the process or establish the connection manually  
→ Page 22.
6. Connect the appliance to the Home Connect app. → Page 23

## Connecting the appliance to a WLAN home network (Wi-Fi) without WPS function

If your router does not have a WPS function, you can connect the appliance to your WLAN home network (Wi-Fi) manually. The appliance briefly sets up its own WLAN network. You can connect a mobile device to the WLAN network and transfer the network information for the WLAN home network (Wi-Fi) to your appliance.

**Requirement:** The Home Connect app has been installed on your mobile device.

1. Press **□**.
  - ✓ The temperature display (refrigerator compartment) shows **Ln**.

2. Press  $\langle / \rangle$  (Refrigerator compartment) repeatedly until the temperature display (refrigerator compartment) shows **SR** and the temperature display (freezer compartment) shows **OF**.
3. Press  $\langle / \rangle$  (Freezer compartment).
  - ✓ The appliance now sets up its own WLAN network with the network name "HomeConnect".
  - ✓ The temperature display (freezer compartment) shows an animation. The appliance is ready for the manual connection with the WLAN home network (Wi-Fi).
4. Follow the instructions in the Home Connect app on the mobile device.
  - ✓ The network information for the WLAN home network (Wi-Fi) is transferred to the appliance.
  - ✓ Once successfully connected, **On** flashes in the temperature display (freezer compartment).
5. If the temperature indicator (freezer compartment) shows **OF**, the appliance was unable to establish a connection to the WLAN home network (Wi-Fi).
  - Check whether the appliance is located within the range of the WLAN home network (Wi-Fi).  
→ "Checking the signal strength", Page 24
  - Repeat the process.

## Connecting the appliance to the Home Connect app

If you have automatically connected your appliance to your WLAN home network (Wi-Fi), you can connect your appliance to the Home Connect app.

### Requirements

- The appliance is connected to the WLAN home network (Wi-Fi).  
→ Page 22
  - The Home Connect app has been installed on your mobile device.
1. Press  $\square$ .
    - ✓ The temperature display (refrigerator compartment) shows **Ln**.
  2. Press  $\langle / \rangle$  (Refrigerator compartment) repeatedly until the temperature display (refrigerator compartment) shows **PR** and the temperature display (freezer compartment) shows **OF**.
  3. Press  $\langle / \rangle$  (Freezer compartment).
    - ✓ The temperature display (freezer compartment) shows an animation.
  4. Follow the instructions in the Home Connect app until the process is complete.
    - ✓ Once successfully connected, **On** is shown in the temperature display (freezer compartment).
  5. If the temperature indicator (freezer compartment) shows **OF**, the appliance was able to establish a connection to the Home Connect app (Wi-Fi).
    - In the Home Connect app, check whether the mobile device is connected to the WLAN home network (Wi-Fi).
    - Repeat the process.

6. If the temperature display (freezer compartment) shows **Er**, reset the Home Connect settings.  
→ "Resetting Home Connect settings", Page 24

## Checking the signal strength

You should check the signal strength if no connection could be established.

1. Press **□**.
  - ✓ The temperature display (refrigerator compartment) shows **Ln**.
2. Press **</** (Refrigerator compartment) repeatedly until the temperature display (refrigerator compartment) shows **Si**.
  - ✓ The temperature display (freezer compartment) shows a value between **0** (no reception) and **3** (full reception).

**Note:** The signal strength should be at least **2**.

## Improving the reception

If the signal strength is too weak, the connection may be interrupted.

- ▶ Carry out one of the solution options:
  - Place the router and refrigerator closer together.
  - Ensure that the connection is not interfered with by screening walls.
  - Install a repeater to strengthen the signal.

## Installing the Home Connect software update

The appliance searches for updates to the Home Connect software at regular intervals.

**Note:** If updates are available, the temperature display (refrigerator compartment) shows **UP**.

To reset the update and the temperature display (refrigerator compartment) to the set temperature, press any touch field.

1. Press **□**.
  - ✓ The temperature display (refrigerator compartment) shows **Ln**.
2. Press **</** (Refrigerator compartment) repeatedly until the temperature display (refrigerator compartment) shows **UP** and the temperature display (freezer compartment) shows **OF**.
3. Press **</** (Freezer compartment).
  - ✓ The temperature display (freezer compartment) shows an animation.
  - ✓ The update is installed.
  - ✓ The controls are locked during the installation.
  - ✓ If the installation is successful, the temperature display (freezer compartment) shows **On**.
4. If the temperature indicator (freezer compartment) shows **Er**, the appliance was unable to install the update.
  - Repeat the process at a later point.
5. If the update cannot be completed after several attempts, contact the After-sales service → Page 38.

## Resetting Home Connect settings

If your appliance experiences connection problems with the WLAN home network (Wi-Fi) or your appli-

ance wants to log into a different WLAN home network (Wi-Fi), you can reset the Home Connect settings.

1. Press **□**.
  - ✓ The temperature display (refrigerator compartment) shows **□n**.
2. Press **</** (Refrigerator compartment) repeatedly until the temperature display (refrigerator compartment) shows **rE** and the temperature display (freezer compartment) shows **□F**.
3. Press **</** (Freezer compartment).
  - ✓ The temperature display (freezer compartment) shows an animation for 15 seconds.
  - ✓ The temperature display (freezer compartment) then shows **□F**.
  - ✓ The Home Connect settings have been reset.

## Data protection

Please see the information on data protection.

The first time your appliance is registered on a home network connected to the Internet, your appliance will transmit the following types of data to the Home Connect server (initial registration):

- Unique appliance identification (consisting of appliance codes as well as the MAC address of the Wi-Fi communication module installed).

- Security certificate of the Wi-Fi communication module (to ensure a secure data connection).
- The current software and hardware version of your appliance.
- Status of any previous reset to factory settings.

This initial registration prepares the Home Connect functions for use and is only required when you want to use the Home Connect functions for the first time.

**Note:** Please note that the Home Connect functions can only be utilised with the Home Connect app. Information on data protection can be retrieved in the Home Connect app.

## Declaration of Conformity

Constructa Neff Vertriebs-GmbH hereby declares that the appliance with Home Connect functionality meets the essential requirements and other relevant provisions of the Directive 2014/53/EU.

A detailed RED Declaration of Conformity can be found online at [www.neff-international.com](http://www.neff-international.com) among the additional documents on the product page for your appliance.



2.4 GHz band: 100 mW max.  
5 GHz band: 100 mW max.



BE	BG	CZ	DK	DE	EE	IE	EL
ES	FR	HR	IT	CY	LV	LT	LU
HU	MT	NL	AT	PL	PT	RO	SI
SK	FI	SE	UK	NO	CH	TR	

5 GHz WLAN (Wi-Fi): For indoor use only.

---

## Refrigerator compartment

You can keep dairy products, eggs, ready meals, pastries, open preserves and hard cheese in the refrigerator compartment.

You can set the temperature in the refrigerator compartment from 3 °C to 8 °C.

The recommended temperature in the refrigerator compartment is 4 °C. The refrigerator compartment can also be used to store highly perishable foods in the short to medium term. The lower the selected temperature, the longer the food remains fresh.

### Tips for storing food in the refrigerator compartment

Follow the tips if you store food in your refrigerator compartment.

- To ensure that the freshness and quality of the food is retained for longer, only store fresh and unspoiled food.
- In the case of ready-made products and bottled goods, do not exceed the best-before date or use-by date specified by the manufacturer.
- To retain aroma, colour and freshness or to prevent taste transfer and discolouration of the plastic parts, store food well wrapped or covered.
- Leave warm food and beverages to cool down before placing them in the refrigerator compartment.

## Chill zones in the refrigerator compartment

The air circulation in the refrigerator compartment creates different chill zones.

### Coldest zone

The coldest zone is on the partition and in the door rack for large bottles.

### Warmest zone

The warmest zone is at the very top of the door.

### Tips

- Store food that does not spoil easily in the warmest zone, e.g. hard cheese and butter. Cheese can then continue to release its aroma and the butter will still be easy to spread.
- Store perishable food such as fish, sausages and meat in the cool-fresh compartment.  
→ *"Cool-fresh compartment",  
Page 26*

---

## Cool-fresh compartment

In the cool-fresh compartment, you can keep fresh food fresh three times longer than in the refrigerator compartment.

The temperature in the cool-fresh compartment is kept at around 0 °C. Storing food in the fresh compartment retains the quality of the food better. The low temperature and the optimum moisture provide ideal storage conditions for fresh food.

## Storage times in the cool-fresh compartment at 0 °C

The storage times are dependent on the original quality of your food.

Food	Storage time
Fresh fish, seafood	up to 3 days
Poultry, meat (boiled/fried)	up to 5 days
Beef, pork, lamb, sausage (cold meat)	up to 7 days
Smoked fish, broccoli	up to 14 days
Salad greens, fennel, apricots, plums	up to 21 days
Soft cheese, yoghurt, quark, buttermilk, cauliflower	up to 30 days

## Freezer compartment

You can store frozen food, freeze food and make ice cubes in the freezer compartment.

The temperature can be set from  $-16\text{ °C}$  to  $-24\text{ °C}$ .

Long-term storage of food should be at  $-18\text{ °C}$  or lower.

The freezer compartment can be used to store perishable food long-term. The low temperatures slow down or stop the spoilage.

The time between putting fresh food in the freezer compartment and it freezing solid depends on various factors:

- Set temperature
- Food (size and type)
- Quantity and type of storage
- Quantity and type of food already stored

## Freezing capacity

The maximum freezing capacity indicates the quantity of food that can be frozen right through to the centre within a specific period of time.

Information on the maximum freezing capacity can be found on the rating plate. → Fig. 1/5

## Prerequisites for freezing capacity

1. Approx. 24 hours before placing fresh food in the appliance, switch on Super freezing.  
→ "Switching on manual Super freezing", Page 20
2. If the appliance has a flat frozen food container, fill this with food first. For appliances without a flat frozen food container, fill the lowest frozen food container with food first. This is where the food freezes most quickly.
3. Freeze fresh food as close as possible to the side panels.

## Fully utilising the freezer compartment volume

Learn how to store the maximum amount of frozen food in the freezer compartment.

1. Remove all fittings. → Page 31
2. Store food directly on the shelves and on the floor of the freezer compartment.

## Tips for buying frozen food

Follow the tips when you are buying frozen food.

- Check the packaging is not damaged.
- Check the best-before date.
- The temperature in the supermarket freezer must be  $-18\text{ °C}$  or lower.

## en Freezer compartment

- Do not interrupt the deep-freeze chain. If possible, transport frozen food in a cool bag and quickly place it in the freezer compartment.

### Tips for storing food in the freezer compartment

Follow the tips if you are storing food in the freezer compartment.

- To quickly and gently freeze larger quantities of fresh food, place this in the top frozen food container.
- Place the food over the whole area of the compartments or the frozen food containers.
- Do not bring food which is to be frozen into contact with frozen food.  
If necessary, redistribute frozen food in the freezer compartment.
- To ensure that the air can circulate freely in the appliance, push the frozen food containers in as far as they will go.

### Freezing smaller amounts of food quickly

Observe the instructions when you want to freeze a smaller amount of food quickly.

1. Place the food in frozen food tray that is attached to the rear of the large frozen food container or in the flat frozen food containers, starting from the right-hand side.
2. Spread the food over a wide area in the freezer compartment.

### Tips for freezing fresh food

Follow the tips when you freeze fresh food.

- Freeze fresh and undamaged food only.

- Cooked, roasted or baked food is more suitable for consumption than food that can be eaten raw.
- In order to retain the nutritional value, flavour and colour, you should prepare certain food for freezing.
  - Vegetables: Wash, chop up, blanch.
  - Fruit: Wash, pit and perhaps peel, possibly add sugar or ascorbic acid solution.

Additional information on how to do this can be found in the relevant literature.

### Food suitable for freezing

- Baked goods
- Fish and seafood
- Meat
- Poultry and game
- Vegetables, fruit and herbs
- Eggs without shells
- Dairy products, e.g. cheese, butter and quark
- Ready meals and leftovers, e.g. soups, stews, cooked meat and fish, potato dishes, bakes and desserts

### Food that is unsuitable for freezing

- Types of vegetables that are usually eaten raw, e.g. lettuce or radishes
- Unpeeled or hard-boiled eggs
- Grapes
- Whole apples, pears and peaches
- Yoghurt, soured milk, sour cream, crème fraîche and mayonnaise

### Packing frozen food

If you select suitable packaging material the correct type of packaging, you can determine the product quality and prevent freezer burn.

1. Place the food in the packaging.

Suitable packaging:

- Plastic film made of polyethylene
- Tubular film made of polyethylene
- Freezer bags made from polyethylene
- Freezer containers

Unsuitable packaging:

- Wrapping paper
- Greaseproof paper
- Cellophane
- Aluminium foil
- Rubbish bags and used shopping bags

2. Squeeze out the air.
3. Pack food airtight to prevent it from losing flavour and drying out.

Suitable seals:

- Rubber bands
- Plastic clips
- Cold-resistant adhesive tape

4. Label the packaging with the contents and the date of freezing.

## Shelf life of frozen food at $-18\text{ }^{\circ}\text{C}$

Observe the storage times when you freeze food.

Food	Storage time
Fish, sausages, ready meals and baked goods	Up to 6 months
Poultry, meat	Up to 8 months
Vegetables, fruit	Up to 12 months

## Freezer calendar

The imprinted freezer calendar indicates the maximum storage duration in months at a constant temperature of  $-18\text{ }^{\circ}\text{C}$ .

## Defrosting methods for frozen food

To retain the best-possible product quality, the defrosting method must be adjusted to the food and application.

### CAUTION

#### Risk of harm to health!

During the thawing process, bacteria may develop and spoil the frozen food.

- ▶ Do not refreeze food after it has been defrosted or started to defrost.
- ▶ Refreeze food only after cooking.
- ▶ The frozen items should no longer be stored for the maximum storage period.

Defrosting method	Food
Refrigerator compartment	Animal-based food such as fish, meat, cheese, quark
Room temperature	Bread
Microwave	Food for immediate consumption or immediate preparation
Oven or cooker	Food for immediate consumption or immediate preparation

---

## Defrosting

Observe the information when you want to defrost your appliance.

### Defrosting in the refrigerator compartment

The refrigerator compartment in your appliance defrosts automatically.

### Defrosting in the cool-fresh compartment

The cool-fresh compartment in your appliance defrosts automatically.

### Defrosting in the freezer compartment

The fully automatic NoFrost system ensures that the freezer compartment remains frost-free. Defrosting is not required.

---

## Cleaning and servicing

To keep your appliance working efficiently for a long time, it is important to clean and maintain it carefully. Customer Service must clean inaccessible points. Cleaning by customer service can give rise to costs.

### Preparing the appliance for cleaning

Find out how to prepare your appliance for cleaning.

1. Switch off the appliance.  
→ *Page 18*
2. Disconnect the appliance from the power supply.  
Unplug the appliance from the mains or switch off the circuit breaker in the fuse box.

3. Take out all of the food and store it in a cool location.

Place ice packs (if available) onto the food.

4. Remove all fittings from the appliance. → *Page 31*
5. To remove the following components from the appliance:
  - → *"Partition and cover of the fruit and vegetable container", Page 31*
  - → *"Telescopic rails", Page 32*

### Cleaning the appliance

Clean the appliance as specified to ensure that it is not damaged by incorrect cleaning or unsuitable cleaning products.

#### **WARNING**

##### **Risk of electric shock!**

- An ingress of moisture can cause an electric shock.
  - ▶ Do not use steam- or high-pressure cleaners to clean the appliance.
- Liquid in the lighting can be dangerous.
  - ▶ The rinsing water must not run into the light.

#### **ATTENTION!**

- Unsuitable cleaning products may damage the surfaces of the appliance.
  - ▶ Do not use hard scouring pads or cleaning sponges.
  - ▶ Do not use harsh or abrasive detergents.
  - ▶ Do not use cleaning products with a high alcohol content.
- If you clean fittings and accessories in the dishwasher, this may cause them to become deformed or discoloured.
  - ▶ Never clean shelves or containers in the dishwasher.

1. Prepare the appliance for cleaning.  
→ Page 30
2. Clean the appliance, the fittings, the components and the door seals with a dish cloth, lukewarm water and a little pH-neutral washing-up liquid.
3. Dry thoroughly with a soft, dry cloth.
4. Refit the fittings and the components.
5. Electrically connect the appliance.
6. Switch on the appliance.  
→ Page 18
7. Putting the food into the appliance.

### Removing the fittings

If you want to clean the fittings thoroughly, remove these from your appliance.

#### Removing the shelf

- ▶ Pull out and remove the shelf.

#### Removing the bottle shelf

- ▶ Pull out and remove the bottle shelf.

→ Fig. **7**

#### Removing door racks

- ▶ Lift the door rack upwards and remove it.  
→ Fig. **8**

#### Removing the fruit and vegetable container

- ▶ Tilt the fruit and vegetable container forwards ① and remove it ②.  
→ Fig. **9**

#### Removing the cool-fresh container

- ▶ Tilt the cool-fresh container forwards ① and remove it ②.  
→ Fig. **9**

### Removing the frozen food container

1. Take out the frozen food container as far as it will go.
2. Lift the frozen food container at the front ① and remove it ②.  
→ Fig. **10**

### Removing appliance components

If you want to clean your appliance thoroughly, you can remove certain components from your appliance.

#### Partition and cover of the fruit and vegetable container

You can remove the partition and the cover of the fruit and vegetable container in order to clean it thoroughly.

#### Removing the partition

1. Remove the glass plate from the partition.  
→ Fig. **11**
2. Remove the fruit and vegetable container.
3. Press the lever on the underside on both sides ① and pull the partition forwards ②.  
→ Fig. **12**
4. Lift the partition and swivel it out to the side.

#### Removing the cover

- ▶ Lift the cover of the fruit and vegetable container, pull it forwards and swivel it out to the side.

#### Fitting the partition and cover

1. Insert the cover for the fruit and vegetable container.
2. Insert the partition.  
→ Fig. **13**
3. Place the glass plate on the partition.

## Telescopic rails

You can remove the telescopic rails in order to clean them thoroughly.

### Removing telescopic rails

1. Pull out the telescopic rail.  
→ Fig. **14**
2. Move the lock in the direction of the arrow ① and loosen the pin from the rear ②.  
→ Fig. **15**
3. Push in the telescopic rail.
4. Push the telescopic rail backwards above the rear pin ① and disengage ②.  
→ Fig. **16**

### Installing telescopic rails

1. Place the extended telescopic rail on the front pin ① and pull it forwards slightly to lock in place ②.  
→ Fig. **17**
2. Place the telescopic rail on the rear pin ① and push the locking mechanism back ②.  
→ Fig. **18**

# Troubleshooting

You can rectify minor faults on your appliance yourself. Read the troubleshooting information before contacting after-sales service. This will avoid unnecessary costs.

## WARNING

### Risk of electric shock!

Improper repairs are dangerous.

- ▶ Repairs to the appliance should only be carried out by trained specialist staff.
- ▶ Only use genuine spare parts when repairing the appliance.
- ▶ If the power cord of this appliance is damaged, it must be replaced by the manufacturer, the manufacturer's Customer Service or a similarly qualified person in order to prevent any risk.

## Malfunctions

Fault	Cause	troubleshooting
The appliance is not working.	The mains plug has not been inserted properly.	▶ Connect the mains plug.
No displays light up.	Fuse has been tripped.	▶ Check the fuses.
	The power has failed.	<ol style="list-style-type: none"> <li>1. Check whether the power is on.</li> <li>2. Place ice packs (if available) on the frozen food.</li> </ol>
The appliance is not cooling, the displays and lighting light up.	Showroom mode is switched on.	<ul style="list-style-type: none"> <li>▶ Carry out the appliance self-test. → <i>Page 37</i></li> <li>✓ Once the appliance self-test has ended, the appliance switches to normal operation.</li> </ul>
The LED lighting does not work.  Do not remove the lamp cover.	Different causes are possible.	▶ Call the after-sales service. → <i>"Customer Service", Page 38</i>
The refrigeration unit is switching on more frequently and for longer.	The appliance door was opened frequently.	▶ Do not open appliance door unnecessarily.
	The ventilation openings are covered up.	▶ Remove any obstructions from in front of the ventilation openings.
Automatic Super freezing does not switch on.	Not a fault. The appliance decides independently whether automatic Super freezing is required, and switches it on or off automatically.	No action required.

Fault	Cause	troubleshooting
HomeConnect is not working correctly.	Different causes are possible.	▶ Go to <a href="http://www.home-connect.com">www.home-connect.com</a> .

## Information on display panel

Fault	Cause	troubleshooting
Message showing "D" or "E" appears in the display.	The electronics have detected a fault.	▶ Call the after-sales service. → <i>"Customer Service"</i> , Page 38
The temperature display (freezer compartment) flashes.	The temperature in the freezer compartment was too warm.	<ol style="list-style-type: none"> <li>1. Press <b>Alarm</b>.</li> <li>✓ The temperature display (freezer compartment) briefly indicates the warmest temperature reached in the freezer compartment. The temperature display (freezer compartment) then indicates the set temperature again.</li> <li>2. Press <b>Alarm</b>.</li> <li>✓ The temperature display (freezer compartment) no longer flashes.</li> </ol>
The temperature display (freezer compartment) flashes, a warning signal sounds and <b>Alarm</b> lights up.	Different causes are possible.	<ul style="list-style-type: none"> <li>▶ Press <b>Alarm</b>.</li> <li>✓ The alarm is switched off.</li> </ul>
	The appliance door is open.	▶ Close the appliance door.
	The ventilation openings are covered up.	▶ Remove any obstructions from in front of the ventilation openings.
	Larger quantities of fresh food have been put in.	<ul style="list-style-type: none"> <li>▶ Do not exceed the max. freezing capacity. → <i>"Freezing capacity"</i>, Page 27</li> </ul>

## Temperature problem

Fault	Cause	troubleshooting
The temperature differs greatly from the setting.	Different causes are possible.	<ol style="list-style-type: none"> <li>1. Switch off the appliance. → Page 18</li> <li>2. Switch the appliance back on after five minutes. → Page 18 <ul style="list-style-type: none"> <li>- If the temperature is too warm, check the temperature again after a couple of hours.</li> <li>- If the temperature is too cold, check the temperature again on the following day.</li> </ul> </li> </ol>

<b>Fault</b>	<b>Cause</b>	<b>troubleshooting</b>
Cool-fresh compartment is too warm or cold.	Standard setting is too high or too low, e.g. frost in cool-fresh compartment.	<p><b>Note:</b> The standard setting of the cool-fresh compartment is preset at 0. Setting 0 corresponds to a temperature of around 0 °C. You can set the temperature in the cool-fresh compartment to 3 settings warmer or colder. A change in the standard setting will affect the temperature in the refrigerator compartment and the freezer compartment.</p> <ol style="list-style-type: none"> <li>1. Press <b>Super</b> until the temperature display (refrigerator compartment) flashes.</li> <li>2. To change the setting, press <math>\langle \rangle</math>. <ul style="list-style-type: none"> <li>– Setting -3 corresponds to the coldest setting.</li> <li>– Setting +3 corresponds to the warmest setting.</li> </ul> </li> </ol> <p>✓ The selected setting is saved after one minute.</p>

## Noise

<b>Fault</b>	<b>Cause</b>	<b>troubleshooting</b>
Appliance has a humming sound.	Not a fault. A motor is running, e.g. refrigerating unit, fan.	No action required.
The appliance bubbles, buzzes or gargles.	Not a fault. Refrigerant flows through the pipes.	No action required.
The appliance clicks.	Not a fault. Motor, switches or solenoid valves are switching on or off.	No action required.
Appliance crackles.	Not a fault. Automatic defrosting is running.	No action required.
The appliance makes noises.	The appliance is not level.	▶ Align the appliance using a spirit level. If required, place something underneath it.
	Fittings wobble or stick.	▶ Check the removable fittings and, if required, replace these.
	Bottles or containers are touching.	▶ Move the bottles or containers away from each other.
	Super freezing is switched on.	No action required.

## Odours

Fault	Cause	troubleshooting
The appliance has an unpleasant smell.	Different causes are possible.	<ol style="list-style-type: none"><li data-bbox="667 212 1033 264">1. Prepare the appliance for cleaning. → <i>Page 30</i></li><li data-bbox="667 272 1009 296">2. Clean the appliance. → <i>Page 30</i></li><li data-bbox="667 304 941 328">3. Clean all food packaging.</li><li data-bbox="667 336 1009 416">4. To prevent odours from forming, store strong smelling food in airtight containers.</li><li data-bbox="667 424 992 481">5. After 24 hours, check whether odours are still forming.</li></ol>

## Conducting an appliance self-test

1. Switch off the appliance.  
→ *Page 18*
2. Switch the appliance back on after approx. five minutes. → *Page 18*
3. Within the first 10 seconds after switching on, press and hold **Super** (Freezer compartment) for 3 to 5 seconds until an audible signal sounds.
  - ✓ The appliance self-test starts.
  - ✓ While the appliance self-test is running, a long audible signal sounds.
  - ✓ If, at the end of the appliance self-test, two audible signals sound and the temperature display indicates the set temperature, your appliance is OK. The appliance then switches to normal operation.
  - ✓ If, at the end of the appliance self-test, five audible signals sound and **Super** (Freezer compartment) flashes for 10 seconds, inform the after-sales service.

---

## Storage and disposal

You can find out here how to prepare your appliance for storage. You will also find out how to dispose of old appliances.

### Switching off the appliance

1. Switch off the appliance.  
→ *Page 18*
2. Disconnect the appliance from the power supply.  
Unplug the appliance from the mains or switch off the circuit breaker in the fuse box.
3. Defrost the appliance. → *Page 30*
4. Clean the appliance. → *Page 30*
5. Leave the appliance door open.

## Disposing of old appliance

Valuable raw materials can be re-used by recycling.

### **WARNING** **Risk of harm to health!**

Children can lock themselves in the appliance, thereby putting their lives at risk.

- ▶ Leave shelves and containers inside the appliance to prevent children from climbing in.
- ▶ Keep children away from the redundant appliance.

### **WARNING** **Risk of fire!**

If the tubes are damaged, flammable refrigerant and harmful gases may escape and ignite.

- ▶ Do not damage the tubes of the refrigerant circuit or the insulation.
1. Unplug the appliance from the mains.
  2. Cut through the power cord.
  3. Dispose of the appliance in an environmentally friendly manner.



This appliance is labelled in accordance with European Directive 2012/19/EU concerning used electrical and electronic appliances (waste electrical and electronic equipment - WEEE). The guideline determines the framework for the return and recycling of used appliances as applicable throughout the EU.

---

---

## Customer Service

If you have any queries, are unable to rectify faults on the appliance yourself or if your appliance needs to be repaired, contact Customer Service. You can solve many problems yourself by consulting the information on eliminating faults in this instruction manual or on our website. If this is not the case, contact our Customer Service.

We will always find an appropriate solution and try to avoid unnecessary visits being made by a Customer Service technician.

With any warranty claims we will make sure that your appliance is repaired by trained Customer Service technicians using original spare parts, including after the manufacturer's warranty has expired.

For safety reasons repairs to the appliance should only be carried out by trained specialist staff. The warranty claim becomes void if repairs or interventions have been carried out by persons not authorised by us for that purpose or if our appliances have been fitted with spare, supplementary or accessory parts that were not genuine parts and then resulted in a defect.

Function-relevant genuine spare parts according to the corresponding Eco-design Order can be obtained from Customer Service for a period of at least 10 years from the date on which your appliance was placed on the market within the European Economic Area.

**Note:** Under the terms of the manufacturer's warranty applicable to the location the use of Customer Service is free of charge. The minimum duration of the warranty (manufacturer's warranty for private consumers) in

the European Economic Area is 2 years (except for Denmark and Sweden, where it is 1 year) according to the terms of warranty applicable to the location. The terms of warranty do not affect other rights or claims held by yourself under local legislation.

Detailed information on the warranty period and terms of warranty in your country is available from our Customer Service, your retailer or on our website.

If you contact Customer Service, you will require the product number (E-Nr.) and the production number (FD) of your appliance.

The contact details for Customer Service can be found in the enclosed Customer Service directory or on our website.

### Product number (E-Nr.) and production number (FD)

You can find the product number (E-Nr.) and the production number (FD) on the appliance's rating plate.

→ Fig. 1/5

Make a note of your appliance's details and the Customer Service telephone number to find them again quickly.

---

## Technical data

Refrigerant, cubic capacity and further technical specifications can be found on the rating plate.

→ Fig. 1/5

More information about your model can be found online at <https://energylabel.bsh-group.com><sup>1</sup>. This web address is linked to the official EU EPREL product database. At the time of printing its web address had not yet been published. Please then follow the instructions on searching for models. The model identifier is made up of the characters before the slash in the product number (E-Nr.) on the rating plate. Alternatively you can also find the model identifier in the first line of the EU energy label.

---

<sup>1</sup> Only applies to countries in the European Economic Area

## Inhoudsopgave

<b>Veiligheid</b> .....	<b>42</b>	<b>Extra functies</b> .....	<b>54</b>
Algemene aanwijzingen .....	42	Superkoelen .....	54
Bestemming van het apparaat .....	42	Automatisch Supervriezen .....	54
Inperking van de gebruikers .....	42	Handmatig Supervriezen .....	55
Veiliger transport .....	43	Vakantiemodus .....	55
Veilige installatie .....	43	<b>Alarm</b> .....	<b>56</b>
Veilig gebruik .....	44	Deuralarm .....	56
Beschadigd apparaat .....	46	Temperatuuralarm .....	56
<b>Het voorkomen van materiële schade</b> .....	<b>48</b>	<b>Home Connect</b> .....	<b>56</b>
<b>Milieubescherming en besparing</b> .....	<b>48</b>	Apparaat met WLAN-thuisnetwerk (Wi-Fi) met WPS-functie verbinden .....	57
Afvoeren van de verpakking .....	48	Apparaat met WLAN-thuisnetwerk (Wi-Fi) zonder WPS-functie verbinden .....	57
Energie besparen .....	48	Apparaat met Home Connect app verbinden .....	58
<b>Opstellen en aansluiten</b> .....	<b>49</b>	Signaalsterkte controleren .....	58
Leveringsomvang .....	49	Update van de Home Connect software installeren .....	59
Apparaat opstellen en aansluiten .....	49	Home Connect instellingen terugzetten .....	59
Criteria voor de opstellocatie .....	50	Bescherming persoonsgegevens .....	59
Het apparaat voor het eerste gebruik voorbereiden .....	50	Conformiteitsverklaring .....	60
Apparaat elektrisch aansluiten .....	50	<b>Koelvak</b> .....	<b>60</b>
<b>Uw apparaat leren kennen</b> .....	<b>51</b>	Tips voor het bewaren van levensmiddelen in het koelvak .....	60
Apparaat .....	51	Koudezones in het koelvak .....	61
Bedieningselementen .....	51	<b>Verskoelruimte</b> .....	<b>61</b>
<b>Uitrusting</b> .....	<b>51</b>	Bewaartijden in de verskoelruimte bij 0 °C .....	61
Legplateau .....	52	<b>Vriesvak</b> .....	<b>61</b>
Flessenrek .....	52	Invriescapaciteit .....	62
Groente- en fruitlade .....	52	Vriesvakvolume volledig gebruiken .....	62
Verskoellade .....	52	Tips voor het inkopen van diepvrieskost .....	62
Boter- en kaasvak .....	52		
Deurrekken .....	53		
Accessoires .....	53		
<b>De Bediening in essentie</b> .....	<b>53</b>		
Apparaat inschakelen .....	53		
Opmerkingen bij het gebruik .....	53		
Machine uitschakelen .....	54		
Temperatuur instellen .....	54		

Tips voor het bewaren van levensmiddelen in het vriesvak.....	62
Kleinere hoeveelheid levensmiddelen snel bevriezen .....	63
Tips voor het bevriezen van verse levensmiddelen .....	63
Houdbaarheid van de diepvrieswaren bij -18 °C.....	64
Diepvrieskalender.....	64
Ontdooimethodes voor diepvrieswaren .....	64
<b>Ontdooien .....</b>	<b>64</b>
Ontdooien in het koelvak. ....	64
Ontdooien in de verskoelruimte .....	64
Ontdooien in het vriesvak .....	64
<b>Reiniging en onderhoud .....</b>	<b>64</b>
Apparaat voorbereiden voor reiniging.....	65
Apparaat schoonmaken.....	65
Onderdelen eruit halen.....	65
Apparaatonderdelen demonteren .....	66
<b>Storingen verhelpen .....</b>	<b>67</b>
Functiestoringen .....	67
Aanwijzingen op het display.....	68
Temperatuurprobleem.....	69
Geluiden .....	69
Geurtjes .....	70
Apparaatzelftest uitvoeren.....	71
<b>Opslaan en afvoeren .....</b>	<b>71</b>
Apparaat buiten gebruik stellen .....	71
Afvoeren van uw oude apparaat....	71
<b>Servicedienst.....</b>	<b>72</b>
Productnummer (E-nr.) en productienummer (FD) .....	72
<b>Technische gegevens .....</b>	<b>73</b>



## Veiligheid

---

Houd de informatie omtrent veiligheid aan, zodat u het apparaat veilig kunt gebruiken.

### Algemene aanwijzingen

Hier vindt u algemene informatie over deze gebruiksaanwijzing.

- Lees deze gebruiksaanwijzing zorgvuldig door. Alleen dan kunt u het apparaat veilig en efficiënt gebruiken.
- Deze gebruiksaanwijzing is bestemd voor de gebruiker van het apparaat.
- Neem de veiligheidsvoorschriften en waarschuwingen in acht.
- Bewaar de gebruiksaanwijzing en de productinformatie voor later gebruik of voor volgende eigenaren.
- Controleer het apparaat na het uitpakken. Sluit het apparaat in geval van transportschade niet aan.

### Bestemming van het apparaat

Om het apparaat veilig en op de juiste manier te gebruiken dient u de aanwijzingen over het beoogd gebruik in acht te nemen.

Dit apparaat is uitsluitend voor de inbouw bedoeld.

Gebruik het apparaat uitsluitend:

- volgens deze gebruiksaanwijzing.
- om levensmiddelen te koelen en in te vriezen en voor ijsbereiding.
- voor huishoudelijk gebruik en in gesloten ruimtes binnen de huiselijke omgeving.
- tot een hoogte van 2000 m boven zeeniveau.

### Inperking van de gebruikers

Voorkom risico's voor kinderen en kwetsbare personen.

Dit apparaat kan worden bediend door kinderen vanaf 8 jaar en door personen met fysieke, sensorische of geestelijke beperkingen of met gebrekkige ervaring en/of kennis, indien zij onder toezicht staan of zijn geïnstrueerd in het veilige gebruik van het apparaat en de daaruit resulterende gevaren hebben begrepen.

Kinderen mogen niet met het apparaat spelen.

Reiniging en gebruikersonderhoud mogen niet worden uitgevoerd door kinderen indien deze niet onder toezicht staan.

Zorg ervoor dat kinderen die jonger zijn dan 8 jaar niet bij het apparaat of de aansluitkabel kunnen komen.

Kinderen vanaf 3 jaar en jonger dan 8 jaar mogen de koelkast/ diepvriezer vullen en legen.

### **Veiliger transport**

Houd de veiligheidsaanwijzingen aan wanneer u het apparaat transporteert.

#### **⚠ WAARSCHUWING – Gevaar voor letsel!**

Het hoge gewicht van het apparaat kan bij het optillen letsels veroorzaken.

- ▶ Het apparaat niet alleen optillen.

### **Veilige installatie**

Houd deze veiligheidsaanwijzingen in acht bij de installatie van het apparaat.

#### **⚠ WAARSCHUWING – Gevaar voor een elektrische schok!**

- Ondeskundige installaties zijn gevaarlijk.
  - ▶ Het apparaat uitsluitend aansluiten en gebruiken volgens de gegevens op het typeplaatje.
  - ▶ Het apparaat uitsluitend via een volgens de voorschriften geïnstalleerd stopcontact met randaarde op een stroomnet met wisselstroom aansluiten.
  - ▶ Het randaardesysteem van de elektrische huisinstallatie moet conform de elektrotechnische voorschriften zijn geïnstalleerd.
  - ▶ Nooit het apparaat via een externe schakelinrichting voeden, bijvoorbeeld een tijdschakelaar of besturing op afstand.

- ▶ Wanneer het apparaat is ingebouwd, moet de netstekker van de netaansluitkabel vrij toegankelijk zijn, of wanneer vrije toegang niet mogelijk is, moet in de vast geplaatste elektrische installatie een alpolige scheidingsinrichting volgens de installatievoorschriften worden ingebouwd.
- ▶ Bij het opstellen van het apparaat erop letten dat het netsnoer niet wordt afgeklemd of beschadigd.
- Een beschadigde isolatie van het netsnoer is gevaarlijk.
  - ▶ Nooit het aansluitsnoer met warmtebronnen in contact brengen.
  - ▶ Nooit het aansluitsnoer met scherpe punten of randen in contact brengen.
  - ▶ Het aansluitsnoer nooit knikken, knellen of veranderen.

### **WAARSCHUWING – Risico van brand!**

- Het gebruik van een verlengd netsnoer en niet-toegestane adapters is gevaarlijk.
  - ▶ Geen verlengsnoeren of meervoudige stopcontacten gebruiken.
  - ▶ Als het netsnoer te kort is, contact opnemen met de servicedienst.
  - ▶ Alleen door de fabrikant goedgekeurde adapters gebruiken.
- Draagbare mobiele meervoudige stopcontacten of draagbare netvoedingen kunnen oververhit raken en tot brand leiden.
  - ▶ Draagbare mobiele meervoudige stopcontacten of draagbare netvoedingen niet aan de achterkant van de apparaten plaatsen.

### **Veilig gebruik**

Neem bij gebruik van het apparaat de veiligheidsaanwijzingen in acht.

- ### **WAARSCHUWING – Gevaar voor een elektrische schok!**
- Binnendringend vocht kan een elektrische schok veroorzaken.
- ▶ Gebruik het apparaat alleen in gesloten ruimtes.
  - ▶ Stel het apparaat nooit bloot aan grote hitte en vochtigheid.

- ▶ Geen stoomreiniger of hogedrukreiniger gebruiken om het apparaat te reinigen.

### **WAARSCHUWING – Verstikkingsgevaar!**

- Kinderen kunnen verpakkingsmateriaal over het hoofd trekken en hierin verstrikt raken en stikken.
  - ▶ Verpakkingsmateriaal uit de buurt van kinderen houden.
  - ▶ Laat kinderen niet met verpakkingsmateriaal spelen.
- Kinderen kunnen kleine onderdelen inademen of inslikken en hierdoor stikken.
  - ▶ Kleine onderdelen uit de buurt van kinderen houden.
  - ▶ Kinderen niet met kleine onderdelen laten spelen.

### **WAARSCHUWING – Explosiegevaar!**

- Mechanische inrichtingen of andere middelen kunnen de kouderingloop beschadigen, brandbaar koudemiddel kan lekken en exploderen.
  - ▶ Gebruik voor het versnellen van het ontdooien geen andere mechanische inrichtingen of andere middelen dan diegene die door de fabrikant zijn aanbevolen.
- Producten met brandbare drijfgassen en explosieve stoffen kunnen exploderen, bijv. spuitbussen.
  - ▶ Bewaar geen producten met brandbare drijfgassen en explosieve stoffen in het apparaat.

### **WAARSCHUWING – Risico van brand!**

Elektrische apparaten binnenin het apparaat kunnen tot een brand leiden, bijv. verwarmingsapparaten of elektrische ijsbereiders.

- ▶ Gebruik geen elektrische apparaten binnenin het apparaat.

### **WAARSCHUWING – Gevaar voor letsel!**

- Flessen of blikjes met koolzuurhoudende drank kunnen barsten.
  - ▶ Geen flessen of blikjes met koolzuurhoudende drank in de verkoelruimte bewaren.
  - ▶ Geen flessen of blikjes met koolzuurhoudende drank in het vriesvak bewaren.

- Letsel aan de ogen door lekkend brandbaar koudemiddel en schadelijke gassen.
  - ▶ De buizen van de koudemiddelkringloop en de isolatie niet beschadigen.

### **WAARSCHUWING – Verbrandingsgevaar door kou!**

Contact met diepvrieswaren en koude oppervlakken kan tot brandwonden door koude leiden.

- ▶ Nooit diepvrieswaren in de mond nemen nadat deze uit het vriesvak werden genomen.
- ▶ Voorkom dat de huid langdurig in contact komt met diepvrieswaren, ijs en de buizen in het vriesvak.

### **VOORZICHTIG – Gezondheidsrisico!**

Houd de volgende aanwijzingen aan om verontreiniging van levensmiddelen te voorkomen.

- ▶ Wanneer de deur langere tijd wordt geopend, kan dit leiden tot een aanzienlijke temperatuurstijging in de vakken van het apparaat.
- ▶ Maak de oppervlakken, die met levensmiddelen en toegankelijke afvoersystemen in contact komen, regelmatig schoon.
- ▶ Rauw vlees en vis in geschikte containers in de koelkast dusdanig bewaren dat het niet in contact komt met andere levensmiddelen of op deze drupt.
- ▶ Wanneer het koel-/vriesapparaat langere tijd leeg staat, het apparaat uitschakelen, ontdooien, reinigen en de deur open laten, om schimmelvorming te voorkomen.

## **Beschadigd apparaat**

Neem deze veiligheidsvoorschriften in acht als uw apparaat beschadigd is.

### **WAARSCHUWING – Gevaar voor een elektrische schok!**

- Een beschadigd apparaat of een beschadigd netsnoer is gevaarlijk.
  - ▶ Nooit een beschadigde apparaat gebruiken.

- ▶ Nooit een apparaat met gescheurd of gebroken oppervlak gebruiken.
- ▶ Nooit aan het netsnoer trekken, om het apparaat van het elektriciteitsnet te scheiden. Altijd aan de stekker van het netsnoer trekken.
- ▶ Wanneer het apparaat of het netsnoer is beschadigd, dan direct de stekker van het netsnoer uit het stopcontact halen of de zekering in de meterkast uitschakelen.
- ▶ Neem contact op met de servicedienst. → *Pagina 72*
- ▶ Alleen daarvoor geschoold vakpersoneel mag reparaties aan het apparaat uitvoeren.
- Ondeskundige reparaties zijn gevaarlijk.
  - ▶ Alleen daarvoor geschoold vakpersoneel mag reparaties aan het apparaat uitvoeren.
  - ▶ Er mogen uitsluitend originele reserveonderdelen worden gebruikt voor reparatie van het apparaat.
  - ▶ Als het netsnoer van dit apparaat beschadigd raakt, moet het ter vermindering van risico's worden vervangen door de fabrikant, de servicedienst of een andere gekwalificeerde persoon.

## **WAARSCHUWING – Risico van brand!**



Bij beschadiging van de leidingen kunnen brandbaar koudemiddel en schadelijke gassen ontsnappen en ontsteken.

- ▶ Houd vuur en ontstekingsbronnen uit de buurt van het apparaat.
- ▶ Ventileer de ruimte.
- ▶ Het apparaat uitschakelen. → *Pagina 54*
- ▶ De stekker van het netsnoer uit het stopcontact trekken of de zekering in de meterkast uitschakelen.
- ▶ Neem contact op met de service-afdeling. → *Pagina 72*

---

## Het voorkomen van materiële schade

Ter voorkoming van materiële schade, aan het apparaat, de accessoires of keukenvoorwerpen dient u de aanwijzingen in acht te nemen.

### LET OP!

- Door verontreinigingen met olie of vet kunnen kunststofdelen en deurafdichtingen poreus worden.
  - ▶ Houd kunststofdelen en deurafdichtingen olie- en vetvrij.
- Door het gebruik van de plint, laden of apparaatdeuren als zitvlak of opstapje kan het apparaat beschadigd raken.
  - ▶ Niet op de plint, laden of deuren staat of leunen.

---

## Milieubescherming en besparing

Bescherm het milieu door het apparaat op een hulpbronnenbesparende manier te gebruiken en herbruikbare materialen op de juiste manier af te voeren.

### Afvoeren van de verpakking

De verpakkingsmaterialen zijn milieuvriendelijk en kunnen worden hergebruikt.

- ▶ De afzonderlijke componenten op soort gescheiden afvoeren.  
Bij uw dealer en uw gemeente- of deelraadskantoor kunt u informatie verkrijgen over de actuele afvoermethoden.

## Energie besparen

Als u deze aanwijzingen opvolgt, verbruikt uw apparaat minder stroom.

### Keuze van de opstellingslocatie

Houd deze aanwijzing aan wanneer u het apparaat plaatst.

- Stel het apparaat niet bloot aan direct zonlicht.
- Plaats het apparaat zo ver mogelijk van radiatoren, fornuis en andere warmtebronnen:
  - Houd 30 mm afstand aan tot elektrische- of gasfornuizen.
  - Houd 30 cm afstand aan tot olie- en kolenfornuizen.
- + Het apparaat hoeft bij lagere omgevingstemperaturen minder vaak te koelen.
  - Een nisdiepte van 560 mm gebruiken.
  - Ventilatieopeningen niet afdekken of blokkeren.
  - Ventileer de ruimte dagelijks.
- + De lucht aan de achterwand van het apparaat kan beter ontsnappen, het apparaat warmt niet zo sterk op.  
Het apparaat hoeft minder vaak te koelen.

### Energie besparen bij het gebruik.

Houd deze aanwijzing aan wanneer u uw apparaat gebruikt.

**Aanwijzing** De plaatsing van de uitrustingsonderdelen heeft geen invloed op het energieverbruik van het apparaat.

- Ventilatieopeningen niet afdekken of blokkeren.
- + De lucht aan de achterwand van het apparaat kan beter ontsnappen, het apparaat warmt niet zo sterk op.
- Open de ovendeur slechts kort.
- Transporteer gekoelde levensmiddelen in een koeltas en leg ze snel in het apparaat.
- Warme gerechten en dranken eerst laten afkoelen, daarna in het apparaat plaatsen.
- Leg om de koude van de diepvriesproducten te benutten, deze ter ontdooiing in het koelvak.
- + De lucht in het apparaat warmt niet zo sterk op.  
Het apparaat hoeft minder vaak te koelen.
- Laat altijd wat ruimte tussen de levensmiddelen en de achterwand.
- Verpak de levensmiddelen luchtdicht.
- + De lucht kan circuleren en de luchtvochtigheid blijft constant.
- Deur van het vriesvak slechts kortstondig openen en zorgvuldig sluiten.
- + Een gesloten deur van het vriesvak beschermt het vriesvak tegen sterke verijzing.

---

## Opstellen en aansluiten

Waar en hoe u het apparaat het beste opstelt, komt u hier te weten. Bovendien komt u te weten hoe u het apparaat op het elektriciteitsnet aansluit.

### Leveringsomvang

Controleer na het uitpakken alle onderdelen op transportschade en de volledigheid van de levering.

Neem bij klachten met uw dealer of onze servicedienst → *Pagina 72* contact op.

De levering bestaat uit:

- Inbouw
- Uitrusting en accessoires<sup>1</sup>
- Montagemateriaal
- Montagehandleiding
- Gebruiksaanwijzing
- Klantenserviceboekje
- Garantiebijlage<sup>2</sup>
- Energielabel
- Productgegevensblad
- Informatie over energieverbruik en geluiden
- Informatie over Home Connect

### Apparaat opstellen en aansluiten

**Voorwaarde:** De leveringsomvang van het apparaat is gecontroleerd.  
→ *Pagina 49*

1. Houd de criteria aan voor de opstellocatie van het apparaat.  
→ *Pagina 50*
2. Het apparaat conform meegeleverde montagehandleiding installeren.
3. Het apparaat voor het eerste gebruik voorbereiden. → *Pagina 50*

---

<sup>1</sup> Afhankelijk van de apparaatuitvoering

<sup>2</sup> Niet in alle landen

nl Opstellen en aansluiten

4. Het apparaat elektrisch aansluiten.  
→ Pagina 50

## Criteria voor de opstellocatie

Houd deze aanwijzing aan wanneer u het apparaat plaatst.

### **WAARSCHUWING** **Explosiegevaar!**

Wanneer het apparaat in een te kleine ruimte staat, kan er bij een lek van het koudecircuit een brandbaar gas-luchtmengsel ontstaan.

- ▶ Stel het apparaat uitsluitend op in een ruimte, welke tenminste een volume heeft van 1 m<sup>3</sup> per 8 g koudemiddel. De hoeveelheid van het koudemiddel staat op het typeplaatje. → Afb. 11/5

Het gewicht van het apparaat kan afhankelijk van het model tot 75 bedragen.

De ondergrond moet stabiel genoeg zijn om het gewicht van het apparaat te dragen.

## Toegestane ruimtetemperatuur

De toegestane kamertemperatuur is afhankelijk van de klimaatklasse van het apparaat.

De klimaatklasse vindt u op het typeplaatje. → Afb. 11/5

Klimaatklasse	Toegestane ruimtetemperatuur
SN	10 °C...32 °C
N	16 °C...32 °C
ST	16 °C...38 °C
T	16 °C...43 °C

Het apparaat is volledig functioneel binnen de toegestane binnentemperatuur.

Wanneer u een apparaat van de klimaatklasse SN gebruikt bij lagere kamertemperaturen, dan kunnen be-

schadigingen aan het apparaat tot een kamertemperatuur van 5 °C worden uitgesloten.

## Nismaten

Neem de nisafmetingen in acht als u uw apparaat in de meubelnis inbouwt. Bij afwijkingen kunnen problemen optreden tijdens de installatie van het apparaat.

## Nisdiepte

Bouw het apparaat in de aanbevolen nisdiepte van 560 mm in.

Bij een kleinere nisdiepte wordt het energieverbruik iets hoger. De nisdiepte moet minimaal 550 mm bedragen.

## Nisbreedte

Voor het apparaat is een meubelnis met een binnenbreedte van minimaal 560 mm nodig.

## Side-by-side-opstelling

Als u 2 apparaten naast elkaar wilt opstellen, moet u tussen de apparaten minimaal een tussenafstand van 150 mm aanhouden.

## Het apparaat voor het eerste gebruik voorbereiden

1. Haal het informatiemateriaal er uit.
2. Verwijder de beschermfolie en transportborgingen, bijv. plakstrips en karton.
3. Het apparaat voor de eerste keer reinigen. → Pagina 65

## Apparaat elektrisch aansluiten

1. De netstekker van het aansluit-snoer van het apparaat in een stopcontact in de omgeving van het apparaat steken.

De aansluitgegevens van het apparaat staan op het typeplaatje.

→ Afb. 11/5

2. De netstekker op vastheid controleren.
- ✓ Het apparaat is nu gereed voor gebruik.

## Uw apparaat leren kennen

Lees meer over de onderdelen van uw apparaat.

### Apparaat

Hier vindt u een overzicht van de onderdelen van uw apparaat.

→ Afb. **1**

<b>A</b>	Koelvak
<b>B</b>	Verskoelruimte
<b>C</b>	Vriesvak
<b>1</b>	Bedieningselementen
<b>2</b>	Flessenrek → <i>Pagina 52</i>
<b>3</b>	Scheidingsplaat met vochtigheidsregelaar
<b>4</b>	Groente- en fruitlade → <i>Pagina 52</i>
<b>5</b>	Typeplaatje
<b>6</b>	Verskoellade → <i>Pagina 52</i>
<b>7</b>	Vlakke diepvrieslade
<b>8</b>	Diepvrieslade
<b>9</b>	Boter- en kaasvak → <i>Pagina 52</i>
<b>10</b>	Deurrek voor grote flessen

**Aanwijzing** Verschillen tussen uw apparaat en de afbeeldingen zijn mogelijk op basis van uitrusting en grootte.

## Bedieningselementen

Via de bedieningselementen kunt u alle functies van uw apparaat instellen en informatie krijgen over de gebruikstoestand.

→ Afb. **2**

<b>1</b>	<b>Super</b> (koelvak) schakelt Superkoelen in of uit.
<b>2</b>	⟨⟩ (koelvak) stelt de temperatuur van het koelvak in.
<b>3</b>	Toont de ingestelde temperatuur van het koelvak in °C.
<b>4</b>	☰ open het menu voor het instellen van Home Connect.
<b>5</b>	0°C brandt als het apparaat in werking is.
<b>6</b>	<b>Alarm</b> schakelt het alarmsignaal uit.
<b>7</b>	⟨⟩ (vriesvak) stelt de temperatuur van het vriesvak in.
<b>8</b>	Toont de ingestelde temperatuur van het vriesvak in °C.
<b>9</b>	<b>Super</b> (vriesvak) schakelt Supervriezen in of uit.
<b>10</b>	⓪ schakelt het apparaat in of uit.

## Uitrusting

Hier krijgt u een overzicht van de accessoires behorende bij uw apparaat en de manier waarop ze worden gebruikt.

De uitrusting van uw apparaat is modelafhankelijk.

## Legplateau

Om de schappen naar wens te variëren, het schap uitnemen en op een andere positie weer plaatsen.

→ "Plateau verwijderen", Pagina 65

## Flessenrek

Bewaar flessen veilig op het flessenrek.

Om het flessenrek naar wens te variëren, het flessenrek verwijderen en op een andere plaats weer terugzetten.

→ "Flessenrek verwijderen", Pagina 65

## Groente- en fruitlade

Bewaar vers fruit en groente in de fruit- en groentelade.

Met de vochtigheidsregelaar van de scheidingsplaat en een speciale af-dichting kunt u de luchtvochtigheid in de fruit- en groentelade aanpassen.

→ Afb. 3

De luchtvochtigheid in de fruit- en groentelade kunt u afhankelijk van het soort en de hoeveelheid bewaarde levensmiddelen instellen:

- Lage luchtvochtigheid bij overbewegend bewaren van fruit en hoge belading.
- Hoge luchtvochtigheid bij overwegend bewaren van groente alsook bij gemengde belading of geringe beladen.

Afhankelijk van de soort levensmiddelen en de hoeveelheid kan zich in de fruit- en groentelade condenswater vormen.

Het condenswater verwijderen met een droge doek en de luchtvochtigheid in de groentelade aanpassen met behulp van de vochtigheidsregelaar.

Om ervoor te zorgen dat de kwaliteit en het aroma behouden blijven, moet u koudegevoelig fruit en groente buiten het apparaat bewaren bij temperaturen van ca. 8°C tot 12°C.

---

Koudegevoelig fruit	■ Ananas
	■ Bananen
	■ Mango
	■ Papaya
	■ Citrusvruchten

---

Koudegevoelige groente	■ Aubergines
	■ Komkommers
	■ Courgette
	■ Paprika
	■ Tomaten
	■ Aardappels

---

## Verskoellade

Gebruik de lagere temperaturen in de verskoellade om gevoelige levensmiddelen te bewaren, bijv. vis, vlees en worst.

## Boter- en kaasvak

Bewaar boter en harde kaas in het boter- en kaasvak.

Om het boter- en kaasvak te openen, midden-onder op de klep licht drukken.

**Aanwijzing** Het vak wordt naar onderen geopend. De klep schuift onder het vak.

→ Afb. 4

## Deurrekken

Om het deurrek naar behoefte te variëren deze er uit nemen en op een andere positie weer plaatsen.

→ "Deurrek verwijderen", Pagina 66

## Accessoires

Gebruik alleen originele accessoires. Deze zijn speciaal op uw apparaat afgestemd. Hier krijgt u een overzicht van de accessoires behorende bij uw apparaat en de manier waarop ze worden gebruikt.

De accessoires van het apparaat zijn afhankelijk van het model.

## Eierplateau

Bewaar eieren veilig op het eierplateau.

## Flessenhouders

De flessenhouders voorkomen dat flessen bij het openen en sluiten van de apparaatdeur kantelen.

→ Afb. **5**

## Diepvriesschaal

In de diepvriesladen kunt u kleinere hoeveelheden voedingsmiddelen snel invriezen, bijv. bessen, stukken fruit, kruiden en groenten.

→ Afb. **6**

De diepvriesproducten gelijkmatig in de diepvriesschaal verdelen en ca. 10 tot 12 uur laten invriezen. Vervolgens in een diepvrieszak of een diepvriesdoos doen.

## Koude-accu

Gebruik de koude-accu voor het tijdelijk koel houden van levensmiddelen, bijv. in een koeltas.

**Tip:** De koude-accu vertraagt bij het uitvallen van de stroom of bij een storing het verwarmen van de opgeslagen diepvrieswaren.

## Ijsblokesschaal

Gebruik de ijsblokesschaal om ijsblokjes te maken.

### Ijsblokjes maken

1. De ijsblokesschaal voor  $\frac{3}{4}$  met water vullen en in het vriesvak plaatsen.  
Vastgevroren ijsblokesschaal alleen met een bot voorwerp, bijv. steel van een lepel, losmaken.
2. Om de ijsblokesschaal los te maken de ijsblokesschaal iets verbuigen of kort onder stromend water houden.

---

## De Bediening in essentie

Hier wordt de bediening van het apparaat in essentie beschreven.

### Apparaat inschakelen


1. ① indrukken.  
✓ Het apparaat begint te koelen.  
✓ Er weerklinkt een waarschuwingssignaal, de temperatuurindicatie (vriesvak) knippert en Alarm brandt omdat het vriesvak nog te warm is.
2. Het waarschuwingssignaal met Alarm uitschakelen.  
✓ Alarm gaat uit zodra de ingestelde temperatuur is bereikt.
3. De gewenste temperatuur instellen.  
→ Pagina 54

### Opmerkingen bij het gebruik

- Wanneer u het apparaat heeft ingeschakeld, wordt de ingestelde temperatuur pas na enkele uren bereikt. Geen levensmiddelen in het apparaat doen voordat de temperatuur is bereikt.

- De behuizing rond het vriesvak wordt tijdelijk licht verwarmd. Dit voorkomt vorming van condenswater in de zone van de deurafdichting.
- Als u de deur van het vriesvak sluit, kan een onderdruk ontstaan en u kunt de deur van het vriesvak niet direct opnieuw openen. Wacht een ogenblik tot de onderdruk wordt gecompenseerd.


## Machine uitschakelen

- ▶  indrukken.
- ✓ Het apparaat koelt niet meer.

## Temperatuur instellen

Nadat u het apparaat heeft ingeschakeld, kunt u de temperatuur instellen.

### Koelvaktemperatuur instellen

- ▶ Zo vaak op  (koelvak) drukken tot de temperatuurindicatie (koelvak) de gewenste temperatuur toont.


De aanbevolen temperatuur in het koelvak bedraagt 4 °C.

### Temperatuur verskoelruimte instellen

**Aanwijzing** De temperatuur in de verskoelruimte wordt op circa 0 °C gehouden.

- ▶ Wanneer rijp op de kleine koelproducten in de verskoelruimte voorkomt, de verskoeltemperatuur hoger instellen. → *Pagina 69*

### Vriesvaktemperatuur instellen

- ▶ Zo vaak op  (vriesvak) drukken tot de temperatuurindicatie (vriesvak) de gewenste temperatuur toont.

De aanbevolen temperatuur in het vriesvak bedraagt -18 °C.

---

## Extra functies

Kom te weten over welke instelbare extra functies uw apparaat beschikt.

### Superkoelen

Bij het Superkoelen koelt het koelvak zo koud mogelijk. Daardoor koelen levensmiddelen en dranken snel tot in de kern.

Schakel Superkoelen vóór het inladen van grote hoeveelheden levensmiddelen in.

**Aanwijzing** Als Superkoelen is ingeschakeld, kan er meer geluid ontstaan.

### Superkoelen inschakelen

- ▶ Super (koelvak) indrukken.
- ✓ Super (koelvak) brandt.

**Aanwijzing** Na ca. 15 uur schakelt het apparaat over op de normale werking.

### Superkoelen uitschakelen

- ▶ Super (koelvak) indrukken.
- ✓ De voordien ingestelde temperatuur wordt op indicatie aangegeven.

### Automatisch Supervriezen

Het automatisch Supervriezen schakelt bij het inruimen van warme levensmiddelen automatisch in.

Bij het automatisch Supervriezen koelt het vriesvak duidelijk op een lagere temperatuur dan bij de normale werking. Hierdoor bevriezen levensmiddelen snel tot in de kern.

Als het automatische Supervriezen is ingeschakeld, brandt Super (vriesvak) en er kunnen meer geluiden ontstaan.

Het apparaat schakelt na het verstrijken van het automatisch Supervriezen op normale werking.

### Automatisch Supervriezen annuleren

- ▶ Super (vriesvak) indrukken.
- ✓ De voordien ingestelde temperatuur wordt op indicatie aangegeven.

### Handmatig Supervriezen

Bij het Supervriezen koelt het vriesvak zo koud mogelijk. Hierdoor bevriezen levensmiddelen snel tot in de kern.

Schakel Supervriezen 4 tot 6 uur voor het inladen van een hoeveelheid levensmiddelen vanaf 2 kg in het vriesvak in.

Om het invriesvermogen te benutten, gebruikt u Supervriezen.

→ "Voorwaarden voor invriesvermogen", Pagina 62

**Aanwijzing** Als Supervriezen is ingeschakeld, kan er meer geluid ontstaan.

### Handmatig Supervriezen inschakelen

- ▶ Super (vriesvak) indrukken.
- ✓ Super (vriesvak) brandt.

**Aanwijzing** Na ca. 60 uur schakelt het apparaat over op de normale werking.

### Handmatig Supervriezen uitschakelen

- ▶ Super (vriesvak) indrukken.
- ✓ De voordien ingestelde temperatuur wordt op indicatie aangegeven.

### Vakantiemodus

Als u langere tijd afwezig bent, kunt u aan het apparaat de energiebesparende vakantiemodus instellen.

#### **VOORZICHTIG** **Gezondheidsrisico!**

Terwijl de vakantiemodus is ingeschakeld, warmt het koelvak op. Door de verhoogde temperatuur kunnen bacteriën ontstaan en de levensmiddelen bederven.

- ▶ Bij een ingeschakelde vakantiemodus geen levensmiddelen in het koelvak bewaren.

Het apparaat stelt de temperaturen automatisch om.

Vak	Temperatuur
Koelvak	14 °C
Vriesvak	onveranderd

Gedurende deze tijd geen levensmiddelen in het koelvak opslaan.

### Vakantiemodus inschakelen

- ▶ Zo vaak op > (koelvak) drukken tot de temperatuurindicatie (koelvak) **Ho** toont.
- ✓ De temperatuurindicatie (koelvak) toont geen temperatuur.

### Vakantiemodus uitschakelen

- ▶ Zo vaak op < (koelvak) drukken tot de temperatuurindicatie (koelvak) de gewenste temperatuur toont.

---

## Alarm

Uw apparaat beschikt over alarm-functies.

### Deuralarm

Als de deur van het apparaat langere tijd openstaat wordt het deuralarm ingeschakeld.

### Waarschuwingssignaal (deuralarm) uitschakelen

- ▶ De apparaatdeur sluiten of op Alarm drukken.
- ✓ Het waarschuwingssignaal is uitgeschakeld.

### Temperatuuralarm

Wanneer het te warm is in het vriesvak, wordt het temperatuuralarm geactiveerd.

### **VOORZICHTIG** **Gezondheidsrisico!**

Bij het ontdooien kan er bacterievorming optreden en kunnen de diepvrieswaren bederven.

- ▶ Half of geheel ontdooide diepvrieswaren niet opnieuw invriezen.
- ▶ Het voedsel pas na het koken of braden opnieuw invriezen.
- ▶ De maximale bewaartijd niet meer ten volle benutten.

Zonder gevaar voor de diepvrieswaren kan het temperatuuralarm in volgende gevallen inschakelen:

- Het apparaat wordt in gebruik genomen.
- Er worden grote hoeveelheden verse levensmiddelen ingeruimd.
- De deur van het vriesvak is te lang geopend.

## Waarschuwingssignaal (temperatuuralarm) uitschakelen

- ▶ Alarm indrukken.
- ✓ De temperatuurindicatie (vriesvak) geeft kort de warmste temperatuur weer die in het vriesvak heeft gehaald. Daarna toont de temperatuurindicatie (vriesvak) opnieuw de ingestelde temperatuur.
- ✓ Vanaf dit moment wordt de warmste temperatuur opnieuw bepaald en in het geheugen opgeslagen.
- ✓ Alarm brandt als de ingestelde temperatuur opnieuw is bereikt.

---

## Home Connect

Dit apparaat is geschikt voor netwerken. Verbind uw apparaat met een mobiel eindapparaat om functies te kunnen bedienen via de Home Connect app te bedienen.

De Home Connect diensten zijn niet in elk land beschikbaar. De beschikbaarheid van de functie Home Connect is afhankelijk van de beschikbaarheid van de Home Connect diensten in uw land. Informatie hierover vindt u op: [www.home-connect.com](http://www.home-connect.com). Om Home Connect te kunnen gebruiken, dient u eerst de verbinding met het WLAN-thuisnetwerk (Wi-Fi<sup>1</sup>) en met de Home Connect app te configureren.

Na het inschakelen van het apparaat ten minste 2 minuten wachten tot de interne initialisatie van het apparaat is voltooid. Configureer pas dan Home Connect.

- Apparaat met WLAN-thuisnetwerk (Wi-Fi) middels WPS-functie verbinden → *Pagina 57*
- Apparaat met WLAN-thuisnetwerk (Wi-Fi) zonder WPS-functie verbinden → *Pagina 57*

---

<sup>1</sup> Wi-Fi is een geregistreerd handelsmerk van de Wi-Fi Alliance.

De Home Connect app leidt u door het gehele aanmeldingsproces. Volg de aanwijzingen in de Home Connect app om de instellingen aan te brengen.

### Tips




- Neem de meegeleverde documenten van Home Connect in acht.
- Neem ook de aanwijzingen in de Home Connect app in acht.

### Aanwijzingen

- Houd u aan de veiligheidsinstructies in deze gebruiksaanwijzing en zorg ervoor dat deze ook worden nageleefd wanneer u het apparaat via de Home Connect app bedient. → *"Veiligheid", Pagina 42*
- De bediening aan het apparaat heeft altijd voorrang. Gedurende deze tijd is de bediening via de Home Connect app niet mogelijk.

## Apparaat met WLAN-thuisnetwerk (Wi-Fi) met WPS-functie verbinden

Heeft uw router een WPS-functie, dan kunt u het apparaat automatisch met uw WLAN (Wi-Fi) thuisnetwerk verbinden.

1.  indrukken.
- ✓ De temperatuurindicatie (koelvak) toont **Ⓒn**.
2. Zo vaak op  (koelvak) drukken tot de temperatuurindicatie (koelvak) **ⒶⒸ** toont en de temperatuurindicatie (diepvriesvak) **⓪F** toont.
3.  (vriesvak) indrukken.
- ✓ De temperatuurindicatie (diepvriesvak) toont gedurende 2 minuten een animatie. Het apparaat is gereed voor de automatische verbinding met het WLAN-thuisnetwerk (Wi-Fi).
4. In deze tijd de WPS-functie op de router inschakelen.




Houd hiervoor de informatie aan in de documentatie van uw router.

- ✓ Bij een succesvolle verbinding knippert **⓪n** in de temperatuurindicatie (diepvriesvak).
- 5. Als de temperatuurindicatie (diepvriesvak) **⓪F** toont, kan het apparaat geen verbinding met het WLAN-thuisnetwerk (Wi-Fi) maken.
  - Controleer of het apparaat zich binnen het bereik van het WLAN-thuisnetwerk (Wi-Fi) bevindt. → *"Signaalsterkte controleren", Pagina 58*
  - Het proces herhalen of handmatig verbinding maken → *Pagina 57*.
- 6. Het apparaat met de Home Connect app verbinden. → *Pagina 58*

## Apparaat met WLAN-thuisnetwerk (Wi-Fi) zonder WPS-functie verbinden

Heeft uw router geen WPS-functie, dan kunt u het apparaat handmatig met uw WLAN-thuisnetwerk (Wi-Fi) verbinden. Het apparaat bouwt in korte tijd een eigen WLAN-netwerk op. U kunt met een mobiel eindapparaat verbinding maken met het Wi-Fi-netwerk en de netwerkinformatie van het WLAN-thuisnetwerk (Wi-Fi) aan uw apparaat overdragen.

**Voorwaarde:** De Home Connect app is op het mobiele eindapparaat geïnstalleerd.

1.  indrukken.
- ✓ De temperatuurindicatie (koelvak) toont **Ⓒn**.
2. Zo vaak op  (koelvak) drukken tot de temperatuurindicatie (koelvak) **5Ⓐ** en de temperatuurindicatie (diepvriesvak) **⓪F** toont.
3.  (vriesvak) indrukken.

## nl Home Connect

- ✓ Het apparaat bouwt een eigen Wi-Fi-netwerk met de netwerknaam "HomeConnect" op.
- ✓ De temperatuurindicatie (diepvriesvak) toont een animatie. Het apparaat is gereed voor de handmatige verbinding met het WLAN-thuisnetwerk (Wi-Fi).
- 4. De instructies in de Home Connect app op het mobiele eindapparaat volgen.
  - ✓ De netwerkinformatie van het WLAN-thuisnetwerk (Wi-Fi) wordt op het apparaat overgedragen.
  - ✓ Bij een succesvolle verbinding knippert **0n** in de temperatuurindicatie (diepvriesvak).
- 5. Als de temperatuurindicatie (diepvriesvak) **0F** toont, kan het apparaat geen verbinding met het WLAN-thuisnetwerk (Wi-Fi) maken.
  - Controleer of het apparaat zich binnen het bereik van het WLAN-thuisnetwerk (Wi-Fi) bevindt.
    - "Signaalsterkte controleren", Pagina 58
  - De procedure herhalen.
- 2. Zo vaak op **</>** (koelvak) drukken tot de temperatuurindicatie (koelvak) **PR** en de temperatuurindicatie (diepvriesvak) **0F** toont.
- 3. **</>** (vriesvak) indrukken.
  - ✓ De temperatuurindicatie (diepvriesvak) toont een animatie.
- 4. De instructies in de Home Connect app opvolgen tot het proces is voltooid.
  - ✓ Bij een geslaagde verbinding toont de temperatuurindicatie (diepvriesvak) **0n**.
- 5. Als de temperatuurindicatie (diepvriesvak) **0F** toont, kon het apparaat geen verbinding met de Home Connect maken.
  - In de Home Connect app controleren of het mobiele eindapparaat met het WLAN-thuisnetwerk (Wi-Fi) is verbonden.
  - De procedure herhalen.
- 6. Als de temperatuurindicatie (diepvriesvak) **Er** toont, de Home Connect instellingen terugzetten.
  - "Home Connect instellingen terugzetten", Pagina 59

## Apparaat met Home Connect app verbinden

Als u uw apparaat automatisch met uw WLAN-thuisnetwerk (Wi-Fi) hebt verbonden, kunt u uw apparaat met de Home Connect app verbinden.

### Voorwaarden

- Het apparaat is verbonden met het Wi-Fi thuisnetwerk. → *Pagina 57*
  - De Home Connect app is op het mobiele eindapparaat geïnstalleerd.
1. **0** indrukken.
    - ✓ De temperatuurindicatie (koelvak) toont **En**.

## Signaalsterkte controleren

Als er geen verbinding kan worden gemaakt, kunt u het beste de signaalsterkte controleren.

1. **0** indrukken.
  - ✓ De temperatuurindicatie (koelvak) toont **En**.
2. Zo vaak op **</>** (koelvak) drukken tot de temperatuurindicatie (koelvak) **5I** toont.
  - ✓ De temperatuurindicatie (diepvriesvak) geeft een waarde tussen **0** (geen ontvangst) en **3** (maximale ontvangst) weer.

**Aanwijzing** De signaalsterkte moet minimaal **2** bedragen.

## Ontvangst verbeteren

Als de signaalsterkte te laag is, kan de verbinding worden onderbroken.

- ▶ Een van de oplossingsmogelijkheden uitvoeren:
  - Router en koelapparaten dicht bij elkaar plaatsen.
  - Ervoor zorgen dat de verbinding niet door afschermende wanden wordt verstoord.
  - Om het signaal te versterken, repeater installeren.

## Update van de Home Connect software installeren

Het apparaat zoekt regelmatig naar updates voor de Home Connect software.

**Aanwijzing** Als er updates beschikbaar zijn, toont de temperatuurindicatie (koelvak) **UP**.

Om de update af te breken en de temperatuurindicatie (koelvak) op de ingestelde temperatuur terug te zetten, op een willekeurig touchveld drukken.

1. **U** indrukken.
  - ✓ De temperatuurindicatie (koelvak) toont **U**.
2. Zo vaak op **U** (koelvak) drukken tot de temperatuurindicatie (koelvak) **UP** en de temperatuurindicatie (diepvriesvak) **UF** toont.
3. **U** (vriesvak) indrukken.
  - ✓ De temperatuurindicatie (diepvriesvak) toont een animatie.
  - ✓ De update wordt geïnstalleerd.
  - ✓ Tijdens de installatie zijn de bedieningselementen geblokkeerd.
  - ✓ Bij een succesvolle installatie toont de temperatuurindicatie (diepvriesvak) **U**.
4. Als de temperatuurindicatie (diepvriesvak) **U** toont, kon het apparaat de update niet installeren.

- De procedure op een later tijdstip herhalen.

5. Als de update na meerdere pogingen niet kan worden afgesloten, met de klantenservice  
→ *Pagina 72* contact opnemen.

## Home Connect instellingen terugzetten

Als het tot verbindingproblemen van uw apparaat met uw WLAN-thuisnetwerk (Wi-Fi) komt of als u uw apparaat in een ander WLAN-thuisnetwerk (Wi-Fi) wilt aanmelden, kunt u de Home Connect instellingen terugzetten.

1. **U** indrukken.
  - ✓ De temperatuurindicatie (koelvak) toont **U**.
2. Zo vaak op **U** (koelvak) drukken tot de temperatuurindicatie (koelvak) **UF** en de temperatuurindicatie (diepvriesvak) **UF** toont.
3. **U** (vriesvak) indrukken.
  - ✓ De temperatuurindicatie (diepvriesvak) toont gedurende ca. 15 seconden een animatie.
  - ✓ Vervolgens toont de temperatuurindicatie (diepvriesvak) **UF**.
  - ✓ De Home Connect instellingen zijn teruggezet.

## Bescherming persoonsgegevens

Neem de aanwijzingen m.b.t. de bescherming van de persoonsgegevens in acht.

Wanneer uw apparaat voor de eerste keer wordt verbonden met een thuisnetwerk dat op het internet is aangesloten, geeft het de volgende

gegevenscategorieën door aan de Home Connect server (eerste registratie):

- Eenduidige identificatie van het apparaat (bestaande uit apparaatsleutels en het MAC-adres van de ingebouwde Wi-Fi communicatiemodule).
- Veiligheidscertificaat van de Wi-Fi communicatiemodule (voor de informatietechnische beveiliging van de verbinding).
- De actuele software- en hardwareversie van uw huishoudapparaat.
- Status van een eventuele eerdere reset naar de fabrieksinstellingen.

Bij de eerste registratie wordt het gebruik van de Home Connect functionaliteiten voorbereid. Deze registratie dient pas te worden uitgevoerd op het moment dat u voor het eerst van de Home Connect functionaliteiten gebruik wilt maken.

**Aanwijzing** Let erop dat de Home Connect functionaliteiten alleen kunnen worden gebruikt in combinatie met de Home Connect app. Informatie over gegevensbescherming kan worden opgeroepen in de Home Connect app.

## Conformiteitsverklaring

Hierbij verklaart Constructa Neff Vertriebs-GmbH dat het apparaat met Home Connect functionaliteit voldoet aan de fundamentele vereisten en de overige toepasselijke bepalingen van de richtlijn 2014/53/EU. Een uitvoerige RED conformiteitsverklaring vindt u op het internet onder [www.neff-international.com](http://www.neff-international.com) op de productpagina van uw apparaat bij de aanvullende documenten.



2,4 GHz band: 100 mW max.  
5 GHz band: 100 mW max.



BE	BG	CZ	DK	DE	EE	IE	el
ES	FR	HR	IT	CY	LV	LT	LU
HU	MT	NL	AT	PL	PT	RO	SI
SK	FI	SE	UK	NO	CH	TR	

5 GHz WLAN (WiFi): alleen voor het gebruik binnenshuis.

## Koelvak

In het koelvak kunt u melkproducten, eieren, bereide gerechten, bakwaren, geopende conservenblikken en harde kaas bewaren.

De temperatuur in het koelvak kunt u van 3 °C tot 8 °C instellen.

De aanbevolen temperatuur in het koelvak bedraagt 4 °C.

Door de koelopslag kunt u ook zeer bederfelijke levensmiddelen op korte of middellange termijn bewaren. Hoe

lager de gekozen temperatuur is, des te langer blijven de levensmiddelen vers.

## Tips voor het bewaren van levensmiddelen in het koelvak

Volg de tips op bij het bewaren van levensmiddelen in uw koelvak.

- Om ervoor te zorgen dat de versheid en kwaliteit van de levensmiddelen langer behouden blijven, uitsluitend verse en ongeschonden levensmiddelen bewaren.

- Bij kant-en-klaar-producten en gebottelde producten de door de fabrikant vermelde houdbaarheidsdatum of gebruiksdatum niet overschrijden.
- Om aroma, kleur en versheid te behouden of smaakoverdracht en verkleuringen van de kunststofdelen te vermijden, levensmiddelen goed verpakt of afgedekt bewaren.
- Warme gerechten en dranken eerst laten afkoelen, voordat u deze in het koelvak plaatst.

## Koudezones in het koelvak

Door de luchtcirculatie in het koelvak ontstaan verschillende koudezones.

### Koudste zone

De koudste zone is op de scheidingsplaat en in het deurrek voor grote flessen.

### Warmste zone

De warmste zone bevindt zich helemaal bovenaan in de deur.

### Tips

- Bewaar minder gevoelige levensmiddelen in de warmste zone, bijv. harde kaas en boter. Hierdoor komt het aroma van de kaas beter tot ontwikkeling en blijft de boter smeerbaar.
- Bewaar gevoelige levensmiddelen in de verskoelruimte, bijv. vis, worst en vlees.  
→ "Verskoelruimte", Pagina 61

## Verskoelruimte

In de verskoelruimte kunt u verse levensmiddelen tot drie keer langer vers houden dan in het koelvak. De temperatuur in de verskoelruimte wordt op circa 0 °C gehouden.

Door het vershouden blijft de kwaliteit van de opgeslagen levensmiddelen beter behouden. De lage temperatuur en de optimale luchtvochtigheid maken ideale omstandigheden mogelijk voor het bewaren van verse levensmiddelen.

## Bewaartijden in de verskoelruimte bij 0 °C

De bewaartijden zijn afhankelijk van de uitgangskwaliteit van uw levensmiddelen.

Levensmiddel	Bewaartijd
Verse vis, zeevruchten	tot 3 dagen
Gevogelte, vlees (gekookt/gebraden)	tot 5 dagen
Rundvlees, varkensvlees, lamsvlees, worstwaren (broodbeleg)	tot 7 dagen
Gerookte vis, broccoli	tot 14 dagen
Sla, venkel, abrikozen, pruimen	tot 21 dagen
Zachte kaas, yoghurt, kwark, karnemelk, bloemkool	tot 30 dagen

## Vriesvak

In het vriesvak kunt u diepvrieswaren bewaren, levensmiddelen bevroren en ijsblokjes maken. De temperatuur is van -16 °C tot -24 °C instelbaar. Langdurig bewaren van levensmiddelen moet op een temperatuur van -18 °C of lager gebeuren. Door het invriezen kunt u bederfelijke levensmiddelen gedurende lange tijd bewaren. De lage temperaturen vertragen of stoppen het bederven.

## nl Vriesvak

De tijd die nodig is om verse levensmiddelen volledig diep te vriezen is afhankelijk van verschillende factoren:

- Ingestelde temperatuur
- Levensmiddel (grootte en soort)
- Bewaarde hoeveelheid
- Reeds bewaarde hoeveelheid levensmiddelen

### Invriescapaciteit

Het invriesvermogen geeft aan welke hoeveelheid levensmiddelen in hoeveel uur tot in de kern kan worden ingevroren.

Informatie over het invriesvermogen vindt u op het typeplaatje. → Afb.  /

5

### Voorwaarden voor invriesvermogen

1. Ca. 24 uur vóór het inladen van verse levensmiddelen, Supervriezen inschakelen.  
→ *"Handmatig Supervriezen inschakelen", Pagina 55*
2. Bij apparaten met een vlakke diepvrieslade eerst deze met levensmiddelen vullen. Bij apparaten zonder vlakke diepvrieslade de onderste diepvrieslade eerst met levensmiddelen vullen. Daar bevroren de levensmiddelen het snelst.
3. Verse levensmiddelen zo dicht mogelijk bij de zijwanden invriezen.

### Vriesvakvolume volledig gebruiken

Kom te weten hoe u de maximale hoeveelheid diepvriesproducten in het vriesvak onderbrengt.

1. Alle uitrustingsdelen verwijderen.  
→ *Pagina 65*

2. Levensmiddelen rechtstreeks op de legplateaus en de bodem van het vriesvak bewaren.

### Tips voor het inkopen van diepvrieskost

Neem de tips in acht als u diepvrieskost inkoop.

- Op onbeschadigde verpakking letten.
- Op de houdbaarheidsdatum letten.
- De temperatuur in de supermarktvriezer moet  $-18\text{ }^{\circ}\text{C}$  of kouder zijn.
- De diepvriesketen niet onderbreken. Diepvriesproducten liefst in een koeltas transporteren en snel in het vriesvak leggen.

### Tips voor het bewaren van levensmiddelen in het vriesvak

Neem de tips in acht als u levensmiddelen in het vriesvak inruimt.

- Om grotere hoeveelheden verse levensmiddelen snel en voorzichtig in te vriezen, deze in de bovenste diepvrieslade leggen.
- De levensmiddelen naast elkaar in de vakken of diepvriesladen leggen.
- In te vriezen levensmiddelen niet in aanraking brengen met ingevroren levensmiddelen.  
Indien nodig diepgevroren levensmiddelen in het vriesvak veranderen van positie.
- Voor een goede luchtcirculatie in het apparaat de diepvrieslade tot aan de aanslag inschuiven.

## Kleinere hoeveelheid levensmiddelen snel bevroren

Neem de aanwijzingen in acht als u een kleinere hoeveelheid levensmiddelen snel wilt bevriezen.

1. De levensmiddelen in de achteraan op de grote diepvrieslade geplaatste diepvriesschaal of van rechts beginnend in de vlakke diepvrieslade leggen.
2. De levensmiddelen over een groot oppervlak verdelen.

## Tips voor het bevriezen van verse levensmiddelen

Neem de tips in acht als u verse levensmiddelen invriest.

- Alleen verse en onberispelijke levensmiddelen bevriezen.
- Voor het verbruik gekookte, gebaden of gebakken levensmiddelen zijn geschikter dan rauw te eten levensmiddelen.
- Om voedingswaarde, aroma en kleur te behouden, moet u bepaalde levensmiddelen voorbereiden om in te vriezen.
  - Groente: wassen, kleiner maken, blancheren.
  - Fruit: wassen, ontpitten en eventueel schillen, eventueel suiker of ascorbinezuuroplossing toevoegen.

Meer aanwijzingen vindt u in de desbetreffende literatuur.

## Over het invriezen van geschikte levensmiddelen

- Brood en banket
- Vis en zeevruchten
- Vlees
- Wild en gevogelte
- Groente, fruit en kruiden
- Eieren zonder schaal

- Melkproducten, bijv. kaas, boter en kwark
- Bereide gerechten en kliekjes, zoals soep, stoofschotels, gaar vlees en gare vis, aardappelgerechten, ovenschotels en zoete toetjes

## Over het invriezen van ongeschikte levensmiddelen

- Groentesoorten die meestal rauw worden gegeten, zoals kropsla en radijsjes
- Ongepelde of hardgekookte eieren
- Wijn druiven/druiven
- Hele appels, peren en perziken
- Yoghurt, dikke zure melk, zure room, crème fraîche en mayonaise

## Diepvrieswaren verpakken

Als u geschikt verpakkingsmateriaal en de juiste soort verpakking kiest, kunt u de productkwaliteit in hoge mate behouden en vriesbrand vermijden.

1. De levensmiddelen in de verpakking leggen.

Geschikte verpakking:

- Kunststoffolie van polyethyleen
- Buisfolie van polyethyleen
- Diepsvrieszakjes van polyethyleen
- Diepvriesdozen

Niet geschikt als verpakking:

- (in)pakpapier
- Perkamentpapier
- Cellofaan
- Aluminiumfolie
- Vuilniszakken en gebruikte plastic zakken

2. De lucht eruit drukken.
3. De verpakking luchtdicht afsluiten om te voorkomen dat de levensmiddelen hun smaak verliezen of uitdrogen.

Geschikte afsluitingen:

- Rubberringen
- Kunststofclips

## nl Ontdooien

- Koudebestendig plakband
4. De verpakking met de inhoud van de invriesdatum voorzien.

### Houdbaarheid van de diepvrieswaren bij $-18\text{ }^{\circ}\text{C}$

Neem de bewaartijden in acht als u levensmiddelen invriest.

Levensmiddel	Bewaartijd
Vis, worst, klaargemaakte gerechten, brood en banket	Tot 6 maanden
Gevogelte, vlees	Tot 8 maanden
Groente, fruit	Tot 12 maanden

### Diepvrieskalender

De erop gedrukte vrieskalender geeft de maximale bewaartijd in maanden aan bij een constante temperatuur van  $-18\text{ }^{\circ}\text{C}$ .

### Ontdooimethodes voor diepvrieswaren

Om de productkwaliteit zo goed mogelijk te behouden, de ontdooimethode aan levensmiddel en gebruiksdoel aanpassen.

#### **VOORZICHTIG** **Gezondheidsrisico!**

Bij het ontdooien kan er bacterievorming optreden en kunnen de diepvrieswaren bederven.

- ▶ Half of geheel ontdooide diepvrieswaren niet opnieuw invriezen.
- ▶ Het voedsel pas na het koken of braden opnieuw invriezen.
- ▶ De maximale bewaartijd niet meer ten volle benutten.

Ontdooimethode	Levensmiddel
Koelvak	Dierlijke levensmiddelen, zoals vis, vlees, kaas, kwark
Omgevingstemperatuur	Brood
Magnetron	Levensmiddelen voor directe consumptie of directe voorbereiding
Oven of fornuis	Levensmiddelen voor directe consumptie of directe voorbereiding

## Ontdooien

Houdt u de informatie aan, wanneer u uw apparaat wilt ontdooien.

### Ontdooien in het koelvak.

Het koelvak van uw apparaat ontdooit automatisch.

### Ontdooien in de verskoelruimte

De verskoelruimte van uw apparaat ontdooit automatisch.

### Ontdooien in het vriesvak

Door het volledig automatische “NoFrost”-systeem blijft het vriesvak vorst-vrij. Ontdooien is niet nodig.

## Reiniging en onderhoud

Reinig en onderhoud uw apparaat zorgvuldig om er voor te zorgen dat het lang goed blijft werken.

De reiniging van ontoegankelijke plaatsen moet door de servicedienst worden uitgevoerd. Aan de reiniging door de servicedienst kunnen kosten verbonden zijn.

## Apparaat voorbereiden voor reiniging

Informatie over de wijze waarop u uw apparaat voorbereid voor reiniging

1. Het apparaat uitschakelen.  
→ *Pagina 54*
2. Haal de stekker van het apparaat uit het stopcontact.  
De stekker van het netsnoer uit het stopcontact trekken of de zekering in de meterkast uitschakelen.
3. Haal alle levensmiddelen uit het apparaat en bewaar deze op een koele plek.  
Indien beschikbaar koelelementen op de levensmiddelen leggen.
4. Neem alle uitrustingsdelen uit het apparaat. → *Pagina 65*
5. De volgende apparaatonderdelen uit het apparaat demonteren:
  - → *"Scheidingsplaat en afdekking van de fruit- en groentelade", Pagina 66*
  - → *"Telescooprails", Pagina 66*

## Apparaat schoonmaken

Maak het apparaat schoon zoals voorgeschreven, zodat het niet door een verkeerde reiniging of ongeschikte schoonmaakmiddelen beschadigd raakt.

### **WAARSCHUWING** **Gevaar voor een elektrische schok!**

- Binnendringend vocht kan een schok veroorzaken.
  - ▶ Geen stoomreiniger of hogedrukreiniger gebruiken om het apparaat te reinigen.
- Vloeistof in de verlichting kan gevaarlijk zijn.
  - ▶ Het sop mag niet in de verlichting terechtkomen.

## LET OP!

- Ongeschikte reinigingsmiddelen kunnen de oppervlakken van het apparaat beschadigen.
  - ▶ Geen harde schuur- of afwaspopsjes gebruiken.
  - ▶ Geen scherpe of schurende reinigingsmiddelen gebruiken.
  - ▶ Geen sterk alcoholhoudende reinigingsmiddelen gebruiken.
- Wanneer u uitrustingsdelen en accessoires in de vaatwasser reinigt, kunnen deze vervormen of verkleuren.
  - ▶ Reinig nooit plateaus en houders in de vaatwasser.

1. Apparaat voorbereiden voor reiniging. → *Pagina 65*
2. Het apparaat, de uitrustingsdelen, de apparaatdelen en de deurafdichtingen met een vaatdoek, lauwwarm water en een beetje pH-neutraal afwasmiddel reinigen.
3. Met een zachte, droge doek grondig nadrogen.
4. De uitrustingsdelen plaatsen en de apparaatdelen inbouwen.
5. Het apparaat elektrisch aansluiten.
6. Het apparaat inschakelen.  
→ *Pagina 53*
7. Doe de levensmiddelen in het apparaat.

## Onderdelen eruit halen

Neem wanneer u de uitrustingsdelen grondig wilt reinigen deze uit het apparaat.

### Plateau verwijderen

- ▶ Het legplateau uittrekken en verwijderen.

### Flessenrek verwijderen

- ▶ Het flessenrek uittrekken en verwijderen.
- Afb. 

## Deurrek verwijderen

- ▶ Het deurrek omhoog tillen en verwijderen  
→ Afb. **8**

## Groente- en fruitlade verwijderen

- ▶ De fruit- en groentelade naar voren kantelen ① en verwijderen ②.  
→ Afb. **9**

## Verskoellade verwijderen

- ▶ De verskoellade naar voren kantelen ① en verwijderen ②.  
→ Afb. **9**

## Diepvrieslade verwijderen

1. De diepvrieslade tot aan de aanslag uittrekken.
2. De diepvrieslade vooraan optillen ① en eruit halen ②.  
→ Afb. **10**

## Apparaatonderdelen demonteer

Als u uw apparaat grondig wilt reinigen, kunt u bepaalde onderdelen uit uw apparaat demonteren.

## Scheidingsplaat en afdekking van de fruit- en groentelade

Om de scheidingsplaat en de afdekking van de fruit- en groentelade grondig te reinigen, kunt u deze demonteren.

### Scheidingsplaat demonteren

1. De glasplaat van de scheidingsplaat verwijderen.  
→ Afb. **11**
2. De fruit- en groentelade verwijderen.
3. De hendels aan de onderkant aan beide zijden indrukken ① en de scheidingsplaat naar voren trekken ②.  
→ Afb. **12**

4. De scheidingsplaat optillen en zijwaarts naar buiten draaien.

### Afdekking demonteren

- ▶ De afdekking van de fruit- en groentelade optillen, naar voren trekken en zijwaarts naar buiten draaien.

### Scheidingsplaat en afdekking inbouwen

1. De afdekking van de fruit- en groentelade plaatsen.
2. De scheidingsplaat aanbrengen.  
→ Afb. **13**
3. De glasplaat op de scheidingsplaat plaatsen.

### Telescooprails

Om de telescooprails grondig te reinigen, kunt u deze demonteren.

### Telescooprails demonteren

1. De telescooprail uittrekken.  
→ Afb. **14**
2. De vergrendeling in de richting van de pijl schuiven ① en van de achterste pen losmaken ②.  
→ Afb. **15**
3. De telescooprail in elkaar schuiven.
4. De telescooprail boven de achterste pen naar achteren schuiven ① en losklikken ②.  
→ Afb. **16**

### Uittrekbare rails monteren

1. De telescooprail in uitgeschoven toestand op de voorste pen plaatsen ① en om te vergrendelen iets naar voren trekken ②.  
→ Afb. **17**
2. De telescooprail aan de achterste pen plaatsen ① en de vergrendeling naar achteren schuiven ②.  
→ Afb. **18**

## Storingen verhelpen

Kleinere storingen aan het apparaat kunt u zelf verhelpen. Raadpleeg voordat u contact opneemt met de klantenservice de informatie over het verhelpen van storingen. Zo voorkomt u onnodige kosten.

### **WAARSCHUWING**

#### **Gevaar voor een elektrische schok!**

Ondeskundige reparaties zijn gevaarlijk.

- ▶ Alleen daarvoor geschoold vakpersoneel mag reparaties aan het apparaat uitvoeren.
- ▶ Er mogen uitsluitend originele reserveonderdelen worden gebruikt voor reparatie van het apparaat.
- ▶ Als het netsnoer van dit apparaat beschadigd raakt, moet het ter vermindering van risico's worden vervangen door de fabrikant, de servicedienst of een andere gekwalificeerde persoon.

### Functiestoringen

Storing	Oorzaak	Verhelpen van storingen
Apparaat werkt niet. Er brandt geen enkele indicatie.	De stekker zit niet goed in het stopcontact.	▶ Sluit de stekker aan.
	De zekering is geactiveerd.	▶ Controleer de zekeringen.
	De stroom is uitgevallen.	<b>1.</b> Controleer of er stroom is. <b>2.</b> Koude-accu's, indien voorhanden, op de dievrieswaren leggen.
Apparaat koelt niet, indicaties en verlichting branden.	Het presentatielicht is ingeschakeld.	▶ Voer de apparaatzelftest uit. → <i>Pagina 71</i> ✓ Na het verstrijken van de apparaatzelftest gaat het apparaat weer over op normale werking.
LED-verlichting functioneert niet. Kapje van de lamp niet verwijderen.	Verschillende oorzaken zijn mogelijk.	▶ Neem contact op met de klantenservice. → <i>"Servicedienst", Pagina 72</i>
De koelmachine schakelt vaker en langer in.	Apparaatdeur werd vaak geopend.	▶ Open de apparaatdeur niet onnodig.
	De ventilatieopeningen zijn afgedekt.	▶ Verwijder blokkades voor de ventilatieopeningen
Automatisch Supervriezen schakelt niet in.	Geen fout. Apparaat beslist zelfstandig of het automatisch Supervriezen nodig is en schakelt het automatisch in of uit.	Geen handeling vereist. Geen handeling vereist.

Storing	Oorzaak	Verhelpen van storingen
Home Connect functioneert niet correct.	Verschillende oorzaken zijn mogelijk.	▶ Ga naar <a href="http://www.home-connect.com">www.home-connect.com</a> .

## Aanwijzingen op het display

Storing	Oorzaak	Verhelpen van storingen
Melding met "D" of "E" verschijnt op het display.	De elektronica heeft een fout geconstateerd.	▶ Neem contact op met de klantenservice. → "Servicedienst", Pagina 72
Temperatuurindicatie (vriesvak) knippert.	Temperatuur in het vriesvak was te hoog.	<ol style="list-style-type: none"> <li>1. Druk op <b>Alarm</b>.</li> <li>✓ De temperatuurindicatie (vriesvak) geeft kort de warmste temperatuur weer die in het vriesvak heeft gehaald. Daarna toont de temperatuurindicatie (vriesvak) opnieuw de ingestelde temperatuur.</li> <li>2. Druk op <b>Alarm</b>.</li> <li>✓ De temperatuurindicatie (vriesvak) knippert niet meer.</li> </ol>
Temperatuurindicatie (vriesvak) knippert, waarschuwingssignaal weerklinkt en Alarm brandt.	Verschillende oorzaken zijn mogelijk.	▶ Druk op <b>Alarm</b> . ✓ Schakel het alarm uit.
	Deur van het apparaat is open.	▶ Sluit de deur van het apparaat.
	De ventilatieopeningen zijn afgedekt.	▶ Verwijder blokkades voor de ventilatieopeningen
	Er zijn grotere hoeveelheden verse levensmiddelen ingeruimd.	▶ Overschrijd het vriesvermogen niet. → "Invriescapaciteit", Pagina 62

## Temperatuurprobleem

Storing	Oorzaak	Verhelpen van storingen
Temperatuur wijkt erg af van de instelling.	Verschillende oorzaken zijn mogelijk.	<ol style="list-style-type: none"> <li>Schakel het apparaat uit. → <i>Pagina 54</i></li> <li>Schakel het apparaat na ca. 5 minuten opnieuw in. → <i>Pagina 53</i> <ul style="list-style-type: none"> <li>Als de temperatuur te hoog is, controleer dan de temperatuur na een paar uur opnieuw.</li> <li>Als de temperatuur te laag is, controleer de temperatuur dan de volgende dag opnieuw.</li> </ul> </li> </ol>
Cool-fresh-vak is te warm of te koud	Standaardinstelling is te hoog of te laag, bijv. bevroren in cool-fresh-vak	<p><b>Aanwijzing</b> De standaardinstelling van het cool-fresh-vak is vooraf ingesteld op 0. Instelling 0 komt overeen met een temperatuur van ca. 0 °C. U kunt de temperatuur in het cool-fresh-vak tot 3 instellingen warmer of kouder instellen.</p> <p>Een wijziging van de standaardinstelling is van invloed op de temperatuur in het koelvak en het vriesvak.</p> <ol style="list-style-type: none"> <li>Druk op <b>Super</b> tot het temperatuursdisplay (koelvak) knippert.</li> <li>Om de instelling te wijzigen drukt u op &lt;/&gt;. <ul style="list-style-type: none"> <li>Instelling -3 komt overeen met de koudste instelling.</li> <li>Instelling +3 komt overeen met de warmste instelling.</li> </ul> </li> </ol> <p>✓ De geselecteerde instelling wordt na een minuut opgeslagen.</p>

## Geluiden

Storing	Oorzaak	Verhelpen van storingen
Apparaat broemt.	Geen storing. Een motor draait, bijv. koelaggregaat, ventilator.	Geen handeling vereist. Geen handeling vereist.
Apparaat borrelt, zoemt of gorgelt.	Geen storing. Er stroomt koudemiddel door de buizen.	Geen handeling vereist. Geen handeling vereist.

## nl Storingen verhelpen

Storing	Oorzaak	Verhelpen van storingen
Apparaat klikt.	Geen storing. Motor, schakelaars of magneetventielen schakelen in- of uit.	Geen handeling vereist. Geen handeling vereist.
Apparaat kraakt.	Geen fout. Het automatische ontdooisysteem treedt in werking.	Geen handeling vereist. Geen handeling vereist.
Apparaat produceert geluiden.	Het apparaat staat niet waterpas.	▶ Stel het apparaat horizontaal met behulp van een waterpas. Leg er zo nodig iets onder.
	Uitrustingsdelen wiebelen of klemmen.	▶ Controleer de uitneembare uitrustingsdelen en zet ze eventueel opnieuw in het apparaat.
	Flessen of containers raken elkaar.	▶ Haal flessen of containers van elkaar.
	Supervriezen is ingeschaald.	Geen handeling vereist. Geen handeling vereist.

## Geurtjes

Storing	Oorzaak	Verhelpen van storingen
Het apparaat ruikt onaangenaam.	Verschillende oorzaken zijn mogelijk.	<ol style="list-style-type: none"><li>1. Bereid het apparaat voor om te reinigen. → <i>Pagina 65</i></li><li>2. Reinig het apparaat. → <i>Pagina 65</i></li><li>3. Reinig alle levensmiddelenverpakkingen.</li><li>4. Verpak sterk ruikende levensmiddelen luchtdicht om geurvorming te voorkomen.</li><li>5. Controleer na 24 uur opnieuw of er luchtjes zijn ontstaan.</li></ol>

## Apparaatzelftest uitvoeren

1. Het apparaat uitschakelen.  
→ *Pagina 54*
2. Het apparaat na ca. 5 minuten opnieuw inschakelen. → *Pagina 53*
3. Binnen 10 seconden na het inschakelen Super (vriesvak) gedurende 3 tot 5 seconden ingedrukt houden tot er een akoestisch signaal weerklinkt.
  - ✓ De apparaatzelftest start.
  - ✓ Tijdens de apparaatzelftest weerklinkt tussendoor een lang akoestisch signaal.
  - ✓ Als na het einde van de apparaatzelftest 2 akoestische signalen weerklinken en de temperatuurindicatie de ingestelde temperatuur toont, is uw apparaat in orde. Het apparaat gaat over op de normale werking.
  - ✓ Als na het einde van de apparaatzelftest 5 akoestische signalen weerklinken en Super (vriesvak) gedurende 10 seconden knippert, contact opnemen met de service.

---

## Opslaan en afvoeren

Hier krijgt u uitleg over de manier waarop u het apparaat voorbereidt voor de opslag. Daarnaast leggen we u uit hoe u oude apparaten dient af te voeren.

### Apparaat buiten gebruik stellen

1. Het apparaat uitschakelen.  
→ *Pagina 54*
2. Haal de stekker van het apparaat uit het stopcontact.  
De stekker van het netsnoer uit het stopcontact trekken of de zekering in de meterkast uitschakelen.
3. Het apparaat ontdooien.  
→ *Pagina 64*

4. Het apparaat reinigen.  
→ *Pagina 65*
5. Laat de deur van het apparaat open.

### Afvoeren van uw oude apparaat

Door een milieuvriendelijke afvoer kunnen waardevolle grondstoffen opnieuw worden gebruikt.

#### **WAARSCHUWING** **Gezondheidsrisico!**

Kinderen kunnen zich in het apparaat opsluiten en in levensgevaar geraken.

- ▶ Om te voorkomen dat kinderen in het apparaat kruipen legplateaus en lades niet uit het apparaat nemen.
- ▶ Kinderen uit de buurt van een afgedankt apparaat houden.

#### **WAARSCHUWING** **Risico van brand!**

Bij beschadiging van de leidingen kunnen brandbaar koudemiddel en schadelijke gassen ontsnappen en ontsteken.

- ▶ De buizen van de koudemiddelkringloop en de isolatie niet beschadigen.
1. De stekker van het netsnoer uit het stopcontact trekken.
  2. Het netsnoer doorknippen.
  3. Het apparaat milieuvriendelijk afvoeren.



Dit apparaat is gekenmerkt in overeenstemming met de Europese richtlijn 2012/19/EU betreffende afgedankte elektrische en elektronische apparatuur (waste electrical and electronic equipment - WEEE). De richtlijn geeft het kader aan voor de in de EU geldige terugneming en verwerking van oude apparaten.

## Servicedienst

Als u vragen hebt, een storing aan het apparaat niet zelf kunt verhelpen of als het apparaat moet worden gerepareerd, neem dan contact op met onze servicedienst.

Veel problemen kunt u via de informatie voor het verhelpen van storingen in deze gebruiksaanwijzing of op onze website zelf verhelpen. Als dit niet het geval is, neem dan contact op met onze servicedienst.

We vinden altijd een passende oplossing en proberen onnodig bezoek van de servicetechnicus te vermijden. We zorgen ervoor dat het apparaat zowel binnen de garantieperiode als na het verstrijken van de fabrieksgarantie met originele reserveonderdelen door geschoolde servicetechnici wordt gerepareerd.

Om veiligheidsredenen mag alleen geschoold vakpersoneel reparaties aan het apparaat uitvoeren. De garantieclaim vervalt indien reparaties of ingrepen worden uitgevoerd door personen die daartoe niet door ons zijn gemachtigd, dan wel indien onze apparaten worden voorzien van vervangende onderdelen, aanvullende onderdelen of accessoires die geen originele onderdelen zijn en daardoor een defect wordt veroorzaakt.

Originele vervangende onderdelen die relevant zijn voor de werking in overeenstemming met de desbetreffende Ecodesign-verordening kunt u voor de duur van ten minste 10 jaar vanaf het moment van in de handel brengen van het apparaat binnen de Europese Economische Ruimte bij onze servicedienst verkrijgen.

**Aanwijzing** Het inschakelen van de servicedienst is in het kader van de plaatselijk geldende fabrieksgarantievoorwaarden gratis. De minimumduur van de garantie (fabrieksgarantie voor particuliere gebruikers) in de Europese Economische Ruimte bedraagt 2 jaar (behalve in Denemarken en Zweden waar de duur 1 jaar bedraagt) in overeenstemming met de geldende plaatselijke garantievoorwaarden. De garantievoorwaarden doen geen afbreuk aan eventuele andere rechten of claims die u op grond van het plaatselijke recht heeft.

Gedetailleerde informatie over de garantieperiode en garantievoorwaarden in uw land kunt u opvragen bij onze servicedienst, uw dealer of op onze website.

Als u contact opneemt met de servicedienst, hebt u het productnummer (E-Nr.) en het productienummer (FD) van het apparaat nodig.

De contactgegevens van de servicedienst vindt u in de meegeleverde servicedienstlijst of op onze website.

## Productnummer (E-nr.) en productienummer (FD)

Het productnummer (E-Nr.) en het productienummer (FD) vindt u op het typeplaatje van het apparaat.

→ Afb. 1 / 5

Om uw apparaatgegevens en de servicedienst-telefoonnummers snel terug te kunnen vinden, kunt u de gegevens noteren.

---

## Technische gegevens

Koudemiddel, netto inhoud en overige technische gegevens bevinden zich op het typeplaatje.

→ Afb. **1** / **5**

Overige informatie over uw model vindt u op het internet onder <https://energylabel.bsh-group.com><sup>1</sup>. Dit webadres bevat een link naar de officiële EU-productdatabase EPREL, waarvan de URL ten tijde van het drukken nog niet was gepubliceerd. Volg dan de aanwijzingen bij het zoeken naar het model op. De modelidentificatie bestaat uit het teken voor de slash van het E-nummer (E-Nr.) op het typeplaatje. Alternatief vindt u de modelidentificatie ook in de eerste regel van het EU-energielabel.

---

<sup>1</sup> Geldt alleen voor landen in de Europese Economische Ruimte







REGISTER YOUR PRODUCT  
ONLINE [NEFF-HOME.COM](http://NEFF-HOME.COM)

Constructa-Neff Vertriebs-GmbH  
Carl-Wery-Straße 34  
81739 München  
GERMANY



**9001465631**  
en, nl  
000304

