

Airwash[®] MultiPRO BOSS

Operating and Maintenance Manual for AH2000 CART (26-A-1KME-00)

amaircare[®]

SAFETY



READ AND KEEP THIS MANUAL

Warning:

This equipment should be operated by trained personnel only.

Warning:

For dry indoor use only.

Warning:

Do not operate equipment without all access panels and components in place.

Warning:

Risks include electric shock, injury due to contact with high speed rotating machinery.

Before cleaning or other maintenance, the appliance must be disconnected from the power supply.

Warning:

Risk of hazards associated with airborne contaminants including inhalation and dust explosion. Can cause respiratory problems. Can cause illness.

Wear appropriate clothing and mask when servicing filters.

Caution:

For industrial/commercial use.

Standards

This equipment meets the technical standard of:

CSA C22.2 No.113-15 -Fans and Ventilators- Tenth Edition, Dated May 2015

UL 507-Electric Fans-Ninth Edition; Dated December 13, 1999, including revisions through Nov. 18, 2015

CONTENTS

Parts Identification.....	1
Operation.....	2
Maintenance.....	3
Filters.....	4
Technical	
Wiring Diagram.....	5
Specifications.....	6
Applications.....	7
Troubleshooting.....	8
Warranty.....	9

Questions? Comments? Email us at:
info@amaircare.com

www.amaircare.com

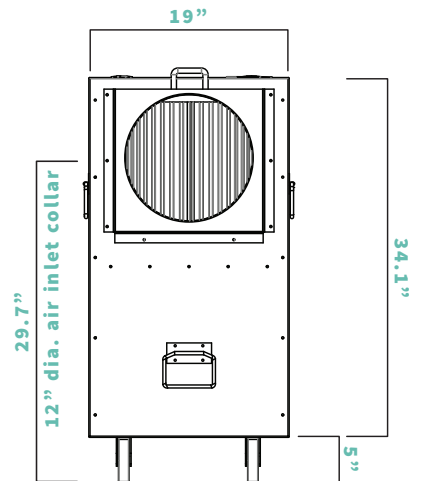
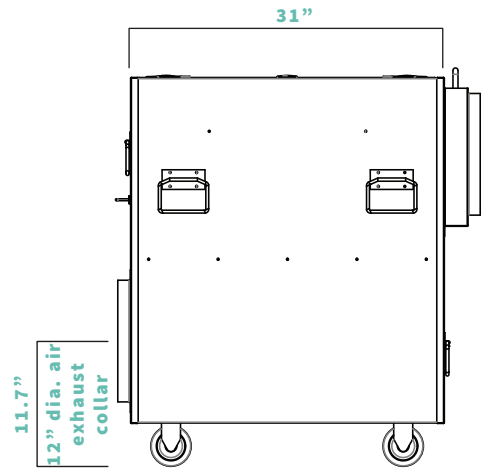
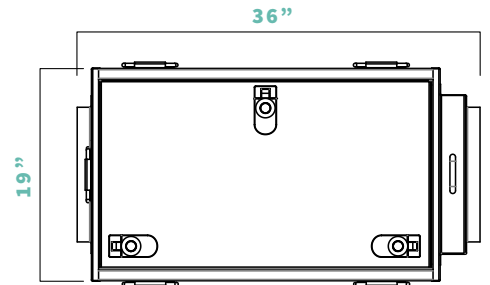
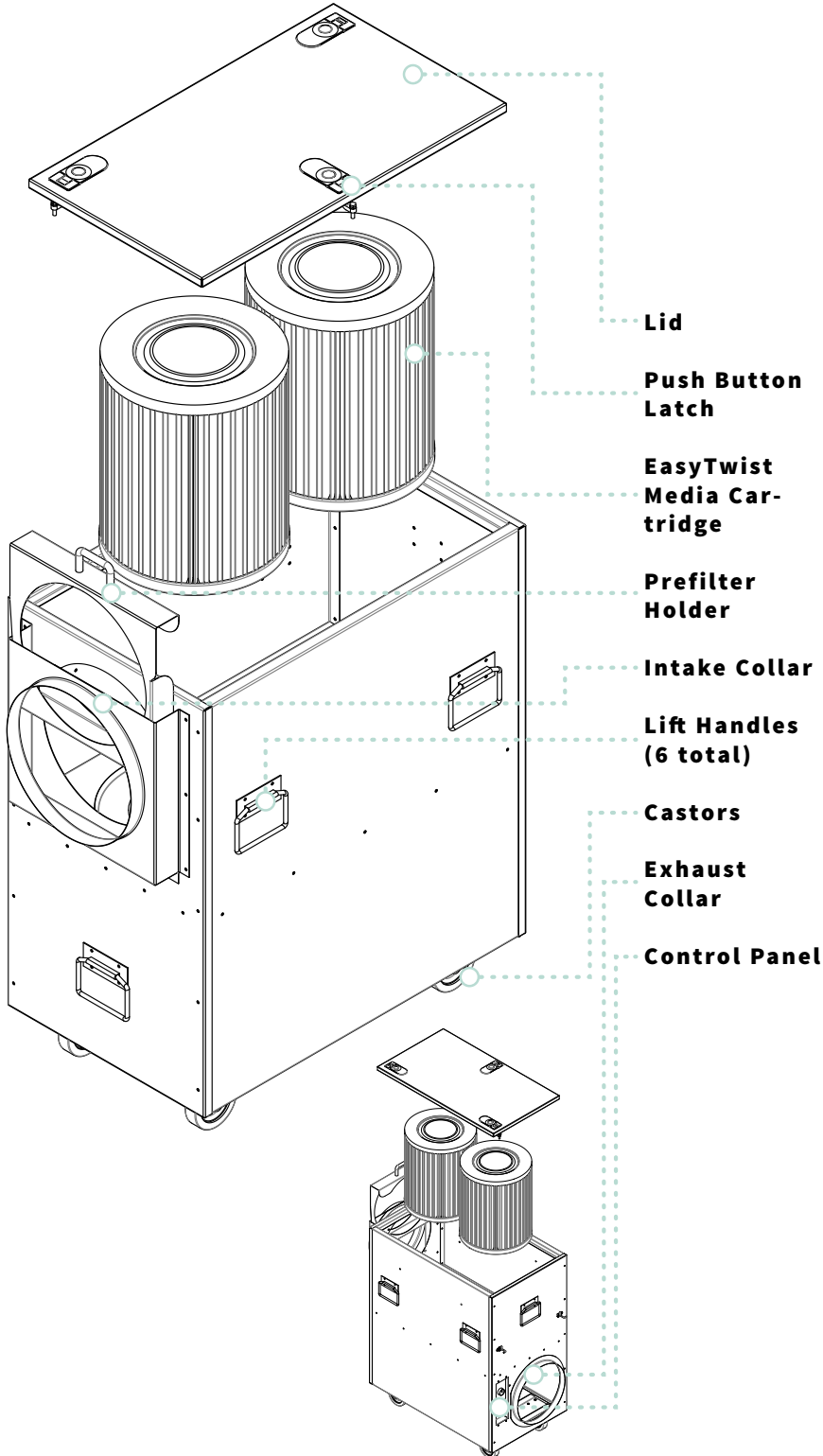
AMERICAIR CORPORATION

770 Gana Court Mississauga, Ontario, Canada L5S 1P1

Amaircare is a registered trade mark of Americair Corporation.
Americair Corporation reserves the right to change or modify any specifications without notice. Printed in Canada 2017.



PARTS IDENTIFICATION



OPERATION

Pre-Start:

- a. Unplug unit.
- b. Access the inside of the cabinet by opening all three (3) push button latches before lifting the lid off.
- c. Confirm the inside of the unit is clean and free of contaminants.
- d. The Stage 3 Media Cartridge should be secured to the bulkhead and sealed with an O-Ring at the filter/bulkhead connection.
- e. Confirm the Prefilter is clean and fitted in the prefilter holder.
- f. Return the lid to the cabinet and secure it by closing the three (3) latches.

Operation:

- Do not operated any fan with a damaged cord or plug.
- Plug the unit power cord into a suitable supply receptacle. Do not route cord through high traffic areas where it can be damaged or tripped over.
- Rotate the speed control fully clockwise to the lowest operating speed. Air is drawn into the unit, first through any Prefilters and then through the HEPA Cartridge. The clean air is exhausted through the fan guard at the housing outlet. The amber “Power On” LED should illuminate.
- A red ”Change Filter” LED will illuminate to indicate reduced or no airflow through the unit. The unit will operate with red LED illuminated (and reduced CFM) until the cause of the restriction has been remedied. Check operating speed, inlet port blockage and individual air filter loading.
- Rotate the control knob counter clockwise to increase the amount of airflow. The red “Change Filter” LED should not be illuminated with clean filters when operating at full speed.
- To stop the unit operation, rotate the control knob, fully counter clock-wise to the “OFF” position.



MAINTENANCE

Filter Inspection or Replacement:

Unplug the unit from the electrical supply and allow the unit fan/motor to stop rotating.

Use caution and established procedures to avoid unnecessary release of contaminants from the main housing, access panel, Prefilters and HEPA Cartridge during inspection or filter replacement.

Dispose of used filters carefully using appropriate procedures.

Foam sleeve and blanket type Prefilters can be rolled inside out as they are removed from service.

Stage 1 - Metal Mesh Prefilter (Option):

- Remove the Prefilter Holder from the Inlet by pulling the handle upwards.
- The Metal Mesh Prefilter can be cleaned by gently blowing out with compressed air.
- Return the Prefilter Holder with the Metal Mesh Prefilter to the frame on the Inlet.
- It is recommended that the Metal Mesh Prefilter be replaced regularly.

Stage 1 - Media Pad Prefilter (Option):

- Dispose and replace the Media Pad Prefilter when it is covered in particulate.
- Remove the Prefilter Holder from the Inlet by pulling the handle upwards.
- Pull the used Prefilter from the Holder and dispose appropriately.
- Fit the new Media Pad Prefilter into the holder.

- Return the Prefilter Holder with the Media Pad Prefilter to the frame on the Inlet.

Stage 2 - Foam Filter:

- Follow directions for removing HEPA Cartridge from the unit.
- Slowly pull the foam filter up and off the HEPA Cartridge to avoid releasing particles back into the air.
- Dispose appropriately.
- Pull the new Foam Filter over the HEPA Cartridge (like a sock) and into place.

Stage 3 - HEPA Cartridge:

- Inspect the HEPA Cartridge with the lid removed.
- Unfasten the restraining strap(s) holding the filter(s) in place.
- Place hands flat against the end cap of the HEPA Cartridge to grip and rotate the cartridge counter clockwise to release it from the bulkhead.
- The loaded HEPA Cartridge and O-ring should be bagged and disposed with suitable procedures.
- Clean the empty housing before fitting the replacement O-ring and HEPA Cartridge.
- Press down firmly to compress the O-ring as the HEPA Cartridge is rotated clockwise to lock it on the bulkhead.

Stage 3 - VOC Ultra Canister (Option)

- Follow instructions for HEPA Cartridge installation.

Stage 4 - VOC Blanket (Optional):

- With the HEPA Cylinder removed from the bulkhead, look inside the HEPA Cylinder to locate the two ends of the VOC blanket.
- Pull one end of the old inner carbon filter in and bend it into a loose roll so it can be removed.
- Remove the inner carbon filter from the HEPA Cylinder and dispose.
- Remove plastic shrink wrap from the new inner carbon filter.
- Unroll the inner carbon filter and roll it up in the opposite direction (this makes the filter follow a more contoured profile against the inner HEPA filter surfaces and helps keep it in place), place the rolled inner carbon filter inside the HEPA Cylinder and gently unroll it until the ends 'butt' together and the filter is snug against the HEPA filter.

Stage 4 - VOC Canister (Option):

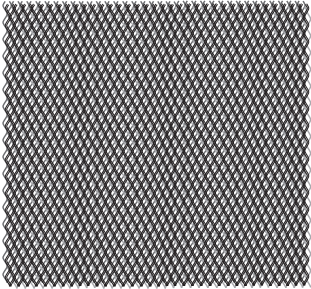
- Remove old carbon canister (if installed) by pulling it out from the inside of the HEPA filter or housing.
- If replacing an inner carbon blanket with the carbon canister, remove inner carbon filter by following the steps for removing the VOC Blanket.
- Remove the plastic shrink wrap from the new carbon canister.
- Slide the carbon canister into the HEPA Cylinder, smaller end first. The carbon canister should slide all the way in until the metal edges at the base meet the HEPA filter.
- Support the carbon canister with your fingers so it does not slide out when replacing the HEPA Cylinder assembly into the unit.

FILTERS

Filters can be installed in various combinations for 4-stage filtration in a wide variety of applications.

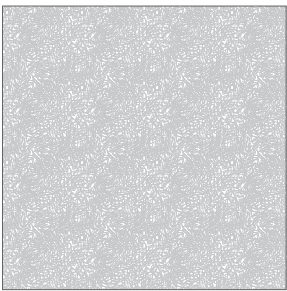
Stage 1:

Metal Mesh Prefilter
13" x 13"
Part: 91-A-DA06-NA



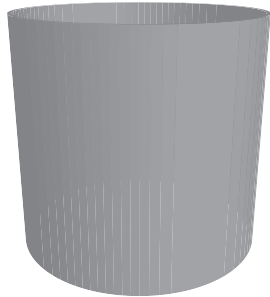
- OR -

Media Pad Prefilter
13" x 13" x 1"
Part: 91-A-D919-NA



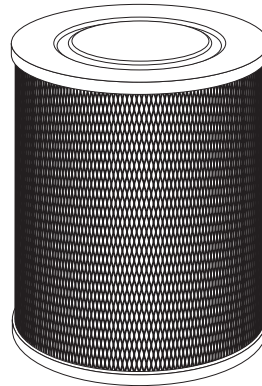
Stage 2:

Foam Filter
Part: 91-A-1607-ET



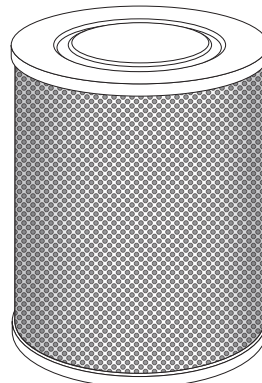
Stage 3:

HEPA Cartridge
Part: 90-A-16ME-ET



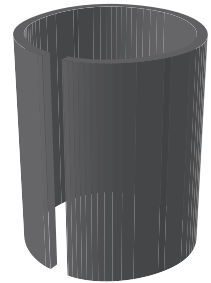
- OR -

VOC Ultra Canister
Part: 94-A-1602-UL



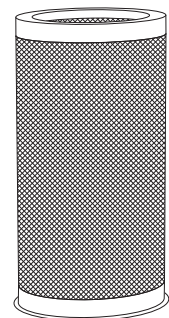
Stage 4:

Carbon Inner Blanket
Part: 92-A-1601-ET



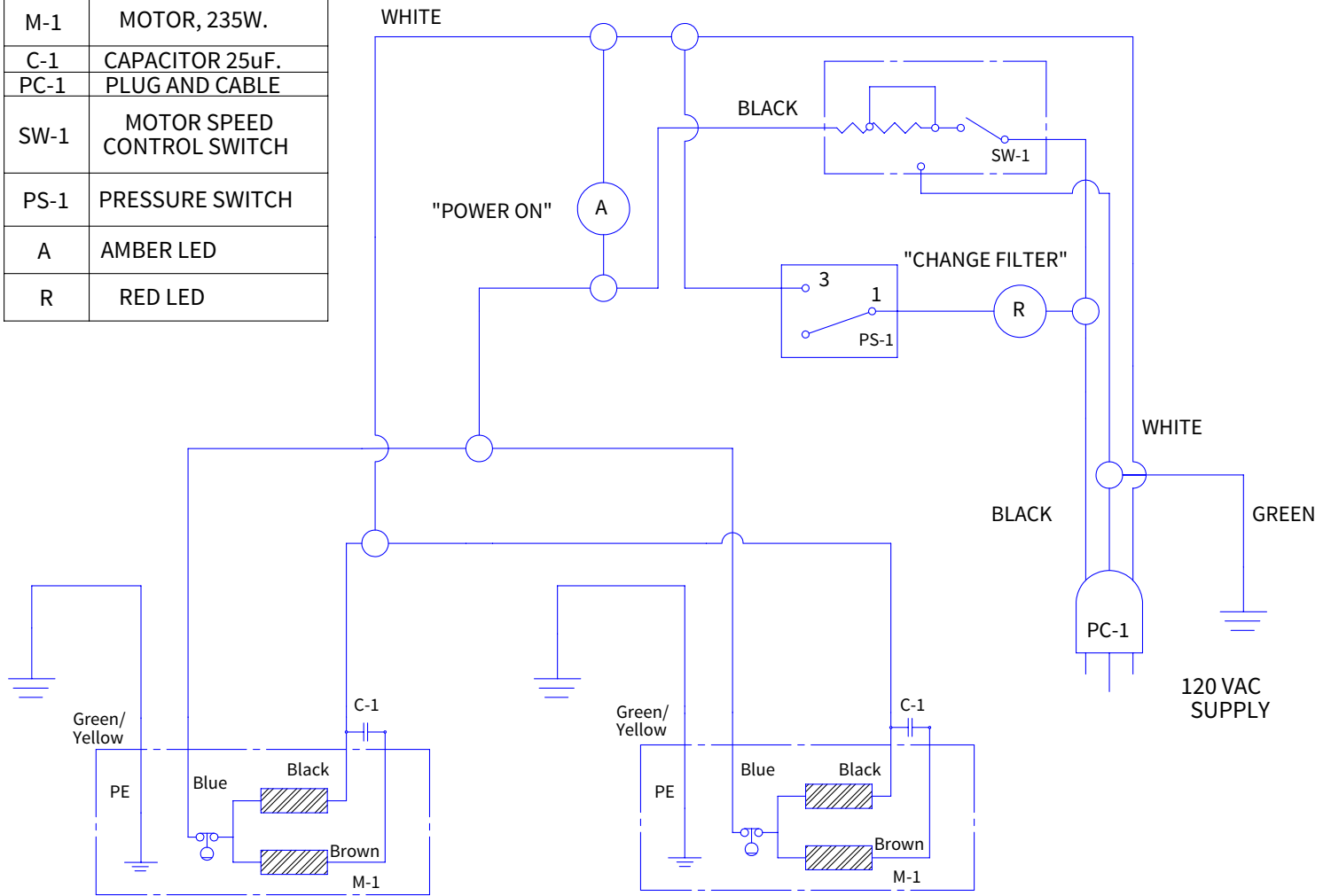
- OR -

16ET VOC Canister
Part: 94-A-1602-ET



TECHNICAL: Wiring Diagram

ITEM	DESCRIPTION
M-1	MOTOR, 235W.
C-1	CAPACITOR 25uF.
PC-1	PLUG AND CABLE
SW-1	MOTOR SPEED CONTROL SWITCH
PS-1	PRESSURE SWITCH
A	AMBER LED
R	RED LED



TECHNICAL: Specifications

Model AH2000 Portable Filtration System

Power Supply: 120 vac/1 ph. /60 Hz.

Operating Current: 5.2 amps.

Variable Speed Control: 3050 RPM max.

Airflow: 1800 cfm (3000 cu. m. / hr.) nominal on high speed

HEPA Cartridge Efficiency: 99.97% minimum at 0.3 micron particle
and above

Dimensions: 19" w x 34.1" h x 31.1" lg
483 mm. w x 866mm. h x 790 mm. lg

Inlet/ Outlet Connection: 12 "dia. collar

Weight: 70 lb. (32 kg.)

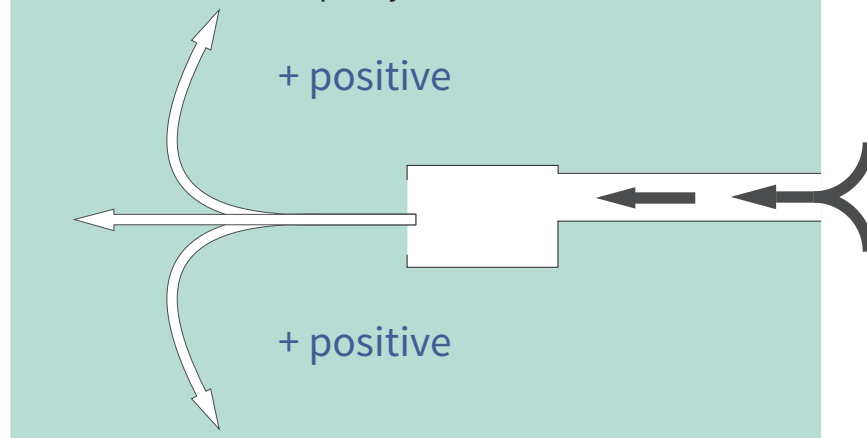


APPLICATIONS

- negative

Positive Pressure Cleanroom

Maximum air quality inside the cleanroom

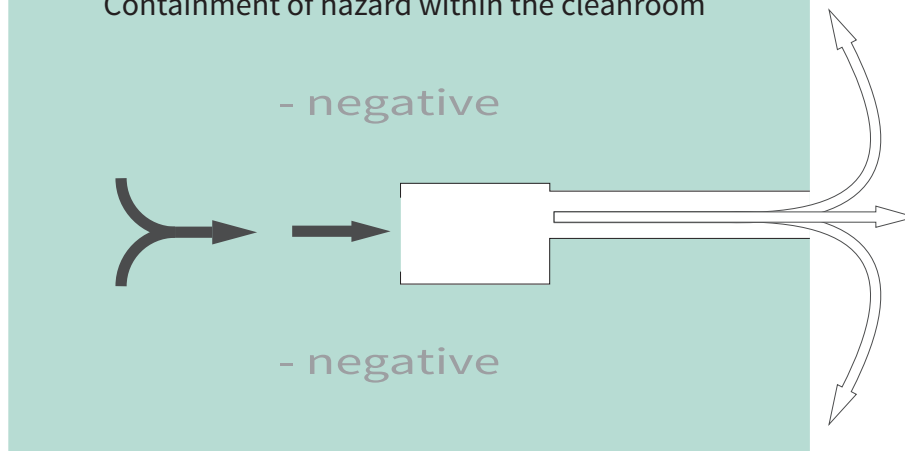


- negative

+ positive

Negative Pressure Cleanroom

Containment of hazard within the cleanroom



+ positive

TROUBLESHOOTING

If your issues continue to persist or you are encountering other issues not listed below, please contact your Airwash® MultiPRO BOSS dealer for further assistance.

Problem	Possible Cause	Solution
Unit does not operate	No power to the machine Power cord damaged Switch not turned on	Plug the unit into a wall outlet. Check to see if the cord is damaged, properly connected. If wires are exposed or cord is found to be damaged, please contact your Amaircare dealer for service/repair.
Filter change light is illuminated	HEPA Filter is full Air intake is restricted	Replace filters. Check ducting is free from bends and clear.



LIMITED WARRANTY

Americair Corporation warrants Amaircare HEPA Air Filtration Systems to the original retail purchaser as follows:

1. The motor/fan part is warranted for five (5) years from the date of purchase under the following conditions:
2. All other component parts (except filters) are warranted for one (1) year from the date of purchase under the following conditions:
 - i. The Amaircare HEPA Air Filtration System has failed under normal use, due to defects in material or workmanship.
 - ii. The Amaircare HEPA Air Filtration System has been operated according to the manufacturers recommendations.
 - iii. The Amaircare HEPA Air Filtration System has been operated in compliance with the voltages specified on the product.
 - iv. An authorized Amaircare dealer or a service provider agreed upon by both the consumer and the manufacturer has performed an inspection.
 - v. There have been no attempts to modify the Amaircare HEPA Air Filtration System from its original condition.

Actions contrary to the above will void the Amaircare warranty.

Amaircare HEPA Air Filtration Systems that have qualified for warranty and met all of the above conditions will, at the discretion of the manufacturer, have the failing components repaired or replaced or, at the option of the manufacturer, be replaced with a new system.

MAKING A WARRANTY CLAIM

The consumer may make a warranty claim by contacting any authorized Amaircare dealer. The dealer will then contact the manufacturer, Americair Corporation, to obtain a Repair Return Authorization.

If the consumer is unable to contact an authorized dealer in their area, they should directly contact the manufacturer, Americair Corporation, at 1 800 268 7732 or info@amaircare.com to obtain a Repair Return Authorization.

To obtain a Repair Return Authorization, a valid serial number and original proof of purchase must be presented to the manufacturer.

RETURNING THE SYSTEM FOR WARRANTY INSPECTION AND/OR REPAIR

Prior to returning any product for warranty inspection and/or repair, the consumer must remove all filter components.

In the interest of consumer and employee safety, Americair Corporation will not receive any filter media that has left the manufacturer's premises. Any Systems returned for inspection and/or repair with the filters included WILL NOT BE RECEIVED by Americair Corporation and will be

returned to the consumer/dealer at the consumer/dealer's expense.

Excluding the filters, the consumer is required to return all other original system components, including adapt ors if applicable.

Due to issues of hygiene, consumer safety and the safety of Americair Staff, Americair Corporation will not accept returned products on the basis of buyer's remorse.