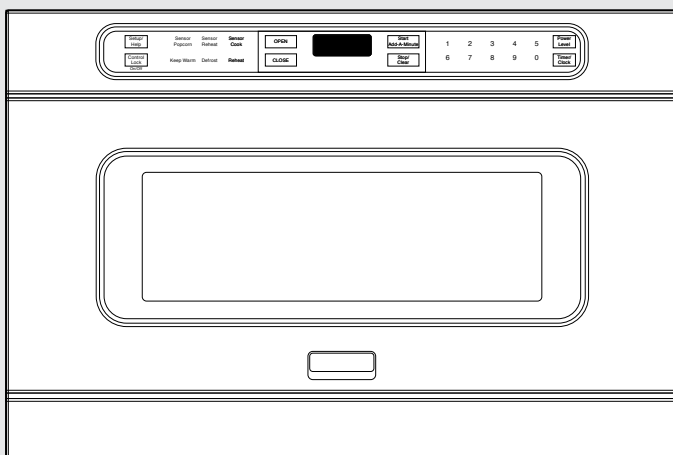


Use & Care Manual



DrawerMicro™ Oven
VMOD241 / CVMOD241

SERVICE INFORMATION

If service is required:

1. Call your authorized service agency.
2. Have the following information readily available:
 - a. Model number
 - b. Serial number
 - c. Date purchased
 - d. Name of dealer from whom purchased
3. Clearly describe the problem that you are having.

If you are unable to obtain the name of an authorized service agency, or if you continue to have a service problem, contact Viking Range, LLC at (888) 845-4641 or write to:

VIKING RANGE, LLC
PREFERRED SERVICE

111 Front Street

Greenwood, Mississippi (MS) 38930 USA

Record the information indicated below. You will need it if service is ever required. The model and serial number for your oven are located on the left side of the oven cavity on an identification label.

Model Number _____ Serial Number _____

Date of Purchase _____ Date Installed _____

Dealer's Name _____

Address _____

If service requires installation of parts, use only authorized parts to ensure protection under the warranty.

PLEASE RETAIN THIS MANUAL FOR FUTURE REFERENCE

PRECAUTIONS TO AVOID POSSIBLE EXPOSURE TO EXCESSIVE MICROWAVE ENERGY

- (a) Do not attempt to operate this oven with the door open since open-door operation can result in harmful exposure to microwave energy. It is important not to defeat or tamper with the safety interlocks.
- (b) Do not place any object between the oven front face and the door or allow soil or cleaner residue to accumulate on sealing surfaces.
- (c) Do not operate the oven if it is damaged. It is particularly important that the oven door close properly and that there is no damage to the: (1) door (bent), (2) hinges and latches (broken or loosened), (3) door seals and sealing surfaces.
- (d) The oven should not be adjusted or repaired by anyone except properly qualified service personnel.

TABLE OF CONTENTS

1 SERVICE INFORMATION	16 TO SET POWER LEVEL
2 PRECAUTIONS TO AVOID POSSIBLE EXPOSURE TO EXCESSIVE MICROWAVE ENERGY	17-18 SENSOR SETTINGS
3 TABLE OF CONTENTS	18 SENSOR POPCORN / SENSOR REHEAT
4-5 IMPORTANT SAFETY INSTRUCTIONS	19-20 SENSOR COOK
6-11 INFORMATION YOU NEED TO KNOW	21-22 DEFROST
6 ABOUT UNPACKING AND EXAMINING YOUR DrawerMicro Oven	22 MANUAL DEFROST
6-7 ELECTRICAL GROUNDING INSTRUCTIONS	23 REHEAT
7 ABOUT YOUR DrawerMicro Oven	24-27 OTHER FEATURES
7-8 ABOUT MICROWAVE COOKING	24 KEEP WARM
8-9 ABOUT UTENSILS AND COVERINGS	24 MULTIPLE SEQUENCE COOKING
9-10 ABOUT CHILDREN AND THE MICROWAVE	25 HELP
10 ABOUT SAFETY	25 ADD-A-MINUTE
11 ABOUT FOOD	25 MORE OR LESS TIME ADJUSTMENT
12-13 PART NAMES	25 CONTROL LOCK
12 DrawerMicro Oven	26-27 SETUP/HELP
13 CONTROL PANEL	28-29 CLEANING AND CARE
14-15 BEFORE OPERATING	28 EXTERIOR
14 TO SET THE CLOCK	28 STAINLESS STEEL SURFACE
14 TIMER	28 FRONT SIDE OF THE DRAWER
14 STOP/CLEAR	28 TOUCH CONTROL PANEL
15 OPEN OR CLOSE DrawerMicro Oven	28 INTERIOR
16-23 DrawerMicro Oven COOKING	28 DrawerMicro Oven GUIDES
16 TIME COOKING	29 WAVEGUIDE COVER
	29 ODOR REMOVAL
	30 BEFORE YOU CALL FOR SERVICE
	31 DrawerMicro Oven WARRANTY

IMPORTANT SAFETY INSTRUCTIONS

When using electrical appliances basic safety precautions should be followed, including the following:

WARNING - To reduce the risk of burns, electric shock, fire, injury to persons or exposure to excessive microwave energy:

1. Read all instructions before using the appliance.
2. Read and follow the specific "PRECAUTIONS TO AVOID POSSIBLE EXPOSURE TO EXCESSIVE MICROWAVE ENERGY" on page 2.
3. This appliance must be properly grounded. Connect only to properly grounded outlet. See Grounding Instructions on page 6.
4. Install or locate this appliance only in accordance with the provided Installation Manual.
5. Some products such as whole eggs and sealed containers - for example, closed glass jars—are able to explode and should not be heated in the appliance.
6. Use this appliance only for its intended use as described in this manual. Do not use corrosive chemicals or vapors in this appliance. This appliance is specifically designed to heat, cook or dry food. It is not designed for industrial or laboratory use.
7. As with any appliance, close supervision is necessary when used by children.
8. Do not operate this appliance if it has a damaged cord or plug, if it is not working properly or if it has been damaged or dropped.
9. This appliance should be serviced only by qualified service personnel. Contact nearest Viking Range, LLC Authorized Servicer for examination, repair or adjustment.
10. Do not cover or block any openings on the appliance.
11. Do not store or use this appliance outdoors. Do not use this product near water—for example, near a kitchen sink, in a wet basement, near a swimming pool or similar locations.
12. Do not immerse cord or plug in water.
13. Keep cord away from heated surfaces.
14. Do not climb or sit on the appliance.
15. Do not let cord hang over edge of table or counter.
16. Do not mount over sink.
17. Do not store anything directly on top of the appliance surface when the appliance is in operation.

18. Be sure that fingers or other objects or materials are not around the appliance opening when the appliance is closed.
19. Do not put fingers or clothes around the drawer guides when the appliance is opened or closed. They could be caught in the guides when the appliance is closed.
20. Be sure that the food and container are shorter than the drawer before closing it. You can refer to the height of the side walls of the drawer.
21. When cleaning appliance sealing surfaces that come together on closing the drawer, use only mild, nonabrasive soaps or detergents applied with a sponge or soft cloth. See cleaning instructions on page 28.
22. To reduce the risk of fire in the appliance cavity:
 - a. Do not overcook food. Carefully attend appliance when paper, plastic or other combustible materials are placed inside the appliance to facilitate cooking.
 - b. Remove wire twist-ties from paper or plastic bags before placing bag in appliance.
 - c. If materials inside the appliance ignite, keep appliance door closed, turn microwave off and shut off power at the fuse or circuit breaker panel.
 - d. Do not use the appliance for storage purposes. Do not leave paper products, cooking utensils, or food in the appliance when not in use.
23. Liquids, such as water, coffee or tea are able to be overheated beyond the boiling point without appearing to be boiling due to surface tension of the liquid. Visible bubbling or boiling when the container is removed from the appliance is not always present. **THIS COULD RESULT IN VERY HOT LIQUIDS SUDDENLY BOILING OVER WHEN A SPOON OR OTHER UTENSIL IS INSERTED INTO THE LIQUID.**

To reduce the risk of injury to persons:

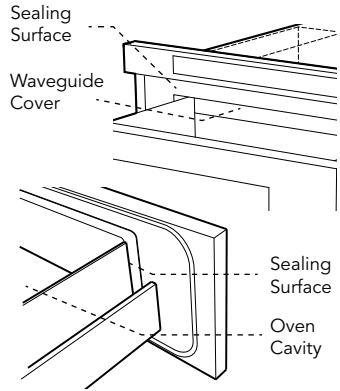
- a. Do not overheat the liquid.
 - b. Stir the liquid both before and halfway through heating it.
 - c. Do not use straight-sided containers with narrow necks. Use a wide-mouthed container.
 - d. After heating, allow the container to stand in the appliance at least for 20 seconds before removing the container.
 - e. Use extreme care when inserting a spoon or other utensil into the container.
24. If the appliance light fails, consult an AUTHORIZED SERVICER.

SAVE THESE INSTRUCTIONS

INFORMATION YOU NEED TO KNOW

ABOUT UNPACKING AND EXAMINING YOUR DrawerMicro Oven

1. Remove all packing materials from inside the DrawerMicro Oven. **DO NOT REMOVE THE WAVEGUIDE COVER**, which is located on the top of the DrawerMicro Oven.
2. Remove the feature sticker, if there is one. Check the drawer for any damage, such as misaligned or bent drawer, damaged drawer seals and sealing surfaces, broken or loose drawer guides and dents inside the cavity or on the front side of the drawer. If there is any damage, do not operate the DrawerMicro Oven and contact your dealer or a **AUTHORIZED SERVICER**.



ELECTRICAL GROUNDING INSTRUCTIONS

This appliance must be grounded. In the event of an electrical short circuit, grounding reduces risk of electric shock by providing an escape wire for the electric current. This oven is equipped with a cord having a grounding wire with a grounding plug. It must be plugged into a wall receptacle that is properly installed and grounded in accordance with the National Electrical Code and local codes and ordinances.

WARNING - Improper use of the grounding plug can result in a risk of electric shock.

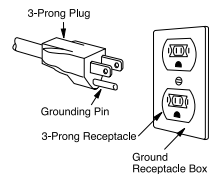
Electrical Requirements

The oven is equipped with a 3-prong grounding plug. **DO NOT UNDER ANY CIRCUMSTANCES CUT OR REMOVE THE GROUNDING PIN FROM THE PLUG.** **DO NOT USE AN EXTENSION CORD.** If the power supply cord is too short, have a qualified electrician or serviceworker install an outlet near the appliance.

The Power Supply Cord and plug must be connected to a separate 120 Volt AC, 60 Hz, 15 Amp, or more branch circuit, single grounded receptacle. The receptacle should be located inside the cabinet directly above the Microwave Oven mounting location.

Note:

Permanent and Correct Installation



1. If you have any questions about the grounding or electrical instructions, consult a qualified electrician or serviceperson.
2. Neither Viking Range, LLC nor the dealer can accept any liability for damage to the oven or personal injury resulting from failure to observe the correct electrical connection procedures.

RADIO OR TV INTERFERENCE

Should there be any interference caused by the DrawerMicro Oven to your radio or TV, check that the DrawerMicro Oven is on a different electrical circuit, relocate the radio or TV as far away from the drawer as feasible or check position and signal of receiving antenna.

ABOUT YOUR DrawerMicro Oven

ALWAYS have food in the DrawerMicro Oven when it is on to absorb the microwave energy.

The vent under the DrawerMicro Oven must not be blocked. During microwaving, steam may come from the right side of the vent.

When using the DrawerMicro Oven at power levels below 100%, you may hear the magnetron cycling on and off. It is normal for the exterior of the DrawerMicro Oven to be warm to the touch when cooking or reheating.

Condensation is a normal part of microwave cooking. Room humidity and the moisture in food will influence the amount of moisture that condenses in the DrawerMicro Oven. Generally, covered foods will not cause as much condensation as uncovered ones.

The DrawerMicro Oven is for food preparation only. It should not be used to dry clothes or newspapers.

Your DrawerMicro Oven is rated 950 watts by using the IEC Test Procedure. In using recipes or package directions, check food a minute or two before the minimum time and add time accordingly.

When opening or closing the DrawerMicro Oven quickly, food in the DrawerMicro Oven may be spilled. To clean, please refer to the Cleaning and Care section on page 28.

ABOUT MICROWAVE COOKING

- Arrange food carefully. Place thickest areas towards outside of dish.
- Watch cooking time. Cook for the shortest amount of time indicated and add more as needed. Food severely overcooked can smoke or ignite.
- Cover foods while cooking. Check recipe or cookbook for suggestions: paper towels, wax paper, microwave plastic wrap or a lid. Covers prevent spattering and help foods to cook evenly.
- Shield with small flat pieces of aluminum foil any thin areas of meat or

poultry to prevent overcooking before dense, thick areas are cooked thoroughly.

- Stir foods from outside to center of dish once or twice during cooking, if possible.
- Turn foods over once during microwaving to speed cooking of such foods as chicken and hamburgers. Large items like roasts must be turned over at least once.
- Rearrange foods such as meatballs halfway through cooking both from top to bottom and from right to left.
- Add standing time. Remove food from DrawerMicro Oven and stir, if possible. Cover for standing time which allows the food to finish cooking without overcooking.
- Check for doneness. Look for signs indicating that cooking temperatures have been reached.

Doneness signs include:

- Food steams throughout, not just at edge.
- Center bottom of dish is very hot to the touch.
- Poultry thigh joints move easily.
- Meat and poultry show no pinkness.
- Fish is opaque and flakes easily with a fork.

ABOUT UTENSILS AND COVERINGS

It is not necessary to buy all new cookware. Many pieces already in your kitchen can be used successfully in your new DrawerMicro Oven. Make sure the utensil does not touch the interior walls during cooking.

Use these utensils for safe microwave cooking and reheating:

- glass ceramic (Pyroceram®), such as Corningware®.
- heat-resistant glass (Pyrex®)
- microwave-safe plastics
- microwave-safe paper plates
- microwave-safe pottery, stoneware and porcelain
- browning dish (Do not exceed recommended preheating time. Follow manufacturer's directions.)

These items can be used for short time reheating of foods that have little fat or sugar in them:

- wood, straw, wicker

DO NOT USE

- metal pans and bakeware

- dishes with metallic trim
- non-heat-resistant glass
- non-microwave-safe plastics (margarine tubs)
- recycled paper products
- brown paper bags
- food storage bags
- metal twist-ties

Should you wish to check if a dish is safe for microwaving, place the empty dish in the oven and microwave on HIGH for 30 seconds. A dish which becomes very hot should not be used.

The following coverings are ideal:

- Paper towels are good for covering foods for reheating and absorbing fat while cooking bacon.
- Wax paper can be used for cooking and reheating.
- Plastic wrap that is specially marked for microwave use can be used for cooking and reheating. DO NOT allow plastic wrap to touch food. Vent so steam can escape.
- Lids that are microwave-safe are a good choice because heat is kept near the food to hasten cooking.
- Oven cooking bags are good for large meats or foods that need tenderizing. DO NOT use metal twist ties. Remember to slit bag so steam can escape.

How to use aluminum foil in your DrawerMicro Oven:

- Small flat pieces of aluminum foil placed smoothly on the food can be used to shield areas that are either defrosting or cooking too quickly.
- Foil should not come closer than one inch to any surface of the DrawerMicro Oven.

Should you have questions about utensils or coverings, check a good microwave cookbook or follow recipe suggestions.

ACCESSORIES There are many microwave accessories available for purchase. Evaluate carefully before you purchase so that they meet your needs. A microwave-safe thermometer will assist you in determining correct doneness and assure you that foods have been cooked to safe temperatures. Viking Range, LLC is not responsible for any damage to the DrawerMicro Oven when accessories are used.

ABOUT CHILDREN AND THE MICROWAVE

Children below the age of 7 should use the DrawerMicro Oven with a supervising person very near to them. Between the ages of 7 and 12, the supervising

person should be in the same room. The child must be able to reach the DrawerMicro Oven comfortably.

At no time should anyone be allowed to lean or swing on the DrawerMicro Oven.

Children should be taught all safety precautions: use potholders, remove coverings carefully, pay special attention to packages that crisp food because they may be extra hot.

Don't assume that because a child has mastered one cooking skill he/she can cook everything.

Children need to learn that the DrawerMicro Oven is not a toy. See page 25 for Control Lock feature.

ABOUT SAFETY

- Check foods to see that they are cooked to the United States Department of Agriculture's recommended temperatures.

TEMP	FOOD
160°F (71°C)	For fresh pork, ground meat, boneless white poultry, fish, seafood, egg dishes and frozen prepared food.
165°F (74°C)	For leftover, ready-to-reheat refrigerated, and deli and carry-out "fresh" food.
170°F (77°C)	White meat of poultry.
180°F (82°C)	Dark meat of poultry.

To test for doneness, insert a meat thermometer in a thick or dense area away from fat or bone. NEVER leave the thermometer in the food during cooking, unless it is approved for microwave use.

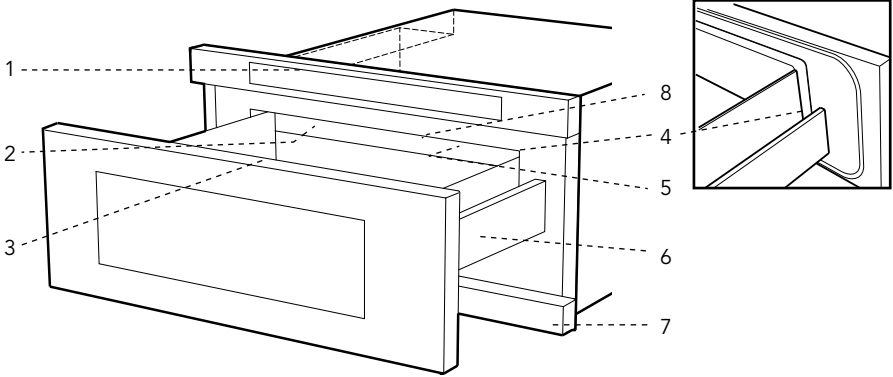
- ALWAYS use potholders to prevent burns when handling utensils that are in contact with hot food. Enough heat from the food can transfer through utensils to cause skin burns.
- Avoid steam burns by directing steam away from the face and hands. Slowly lift the farthest edge of a dish's covering and carefully open popcorn and oven cooking bags away from the face.
- Stay near the DrawerMicro Oven while it's in use and check cooking progress frequently so that there is no chance of overcooking food.
- NEVER use the DrawerMicro Oven for storing cookbooks or other items.
- Select, store and handle food carefully to preserve its high quality and minimize the spread of foodborne bacteria.
- Keep waveguide cover clean. Food residue can cause arcing and/or fires. See page 29.

ABOUT FOOD

FOOD	DO	DON'T
Eggs, sausages, nuts, seeds, fruits & vegetables	<ul style="list-style-type: none"> • Puncture egg yolks before cooking to prevent "explosion". • Pierce skins of potatoes, apples, squash, hot dogs and sausages so that steam escapes. 	<ul style="list-style-type: none"> • Cook eggs in shells. • Reheat whole eggs. • Dry nuts or seeds in shells.
Popcorn	<ul style="list-style-type: none"> • Use specially bagged popcorn for the microwave. • Listen while popping corn for the popping to slow to 1 or 2 seconds or use special Popcorn pad. 	<ul style="list-style-type: none"> • Pop popcorn in regular brown bags or glass bowls. • Exceed maximum time on popcorn package.
Baby food	<ul style="list-style-type: none"> • Transfer baby food to small dish and heat carefully, stirring often. Check temperature before serving. • Put nipples on bottles after heating and shake thoroughly. "Wrist" test before feeding. 	<ul style="list-style-type: none"> • Heat disposable bottles. • Heat bottles with nipples on. • Heat baby food in original jars.
General	<ul style="list-style-type: none"> • Cut baked goods with filling after heating to release steam and avoid burns. • Stir liquids briskly before, during and after heating to avoid "eruption". • Use deep bowl, when cooking liquids or cereals, to prevent boilovers. • Food should be shorter than the DrawerMicro Oven. Please refer to the height of side walls of the drawer. 	<ul style="list-style-type: none"> • Heat or cook in closed glass jars or air tight containers. • Can in the microwave as harmful bacteria may not be destroyed. • Deep fat fry. • Dry wood, gourds, herbs or wet papers.

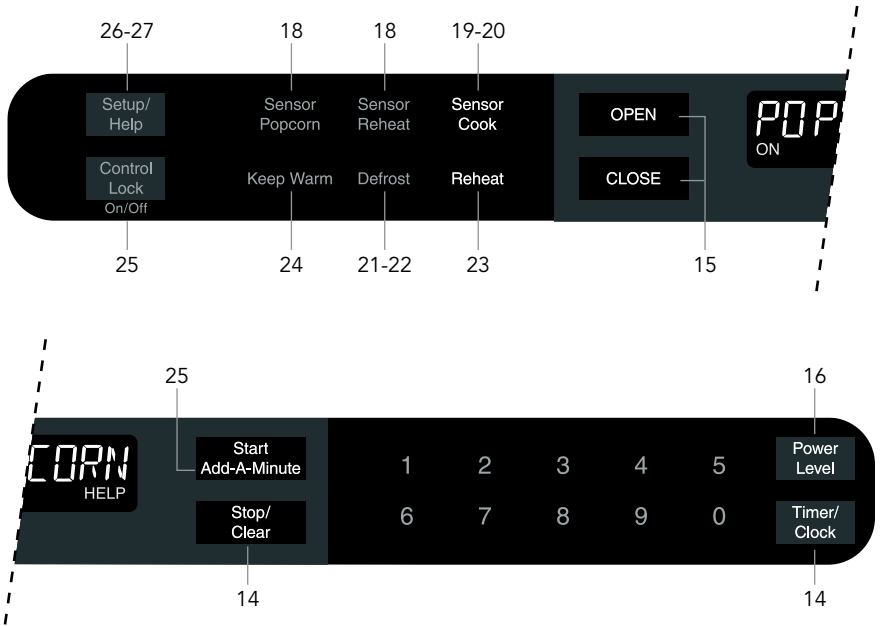
PART NAMES

DrawerMicro Oven



1. Control panel
2. Waveguide cover **DO NOT REMOVE**
3. Menu Label
4. Drawer sealing surfaces
5. Drawer light
6. DrawerMicro Oven guides
7. Vent
8. Name plate: open the DrawerMicro Oven fully.
The label is slightly beyond the back wall of the microwave cavity facing up from the flat surface.

CONTROL PANEL



Number next to the control panel illustration indicates pages on which there are feature descriptions and usage information.

BEFORE OPERATING

Before operating your new DrawerMicro Oven make sure you read and understand this Use and Care Guide completely.

- Before the DrawerMicro Oven can be used, follow these steps:

1. Plug in the DrawerMicro Oven. **ENJOY YOUR MICRO- WAVE TOUCH CLEAR AND TOUCH CLOCK** will appear.
2. Touch the Stop/Clear pad. **:** will appear.
3. Set clock.

TO SET THE CLOCK

1. Touch Timer/Clock pad and number **2**.
2. Touch number pads for correct time of day and touch Timer/Clock pad again.

This is a 12 hour clock. If you attempt to enter an incorrect clock time, **ERROR** will appear in the display. Touch the Stop/Clear pad and re-enter the time.

- If the electrical power supply to your DrawerMicro Oven should be interrupted, the display will intermittently show **ENJOY YOUR MICRO- WAVE TOUCH CLEAR AND TOUCH CLOCK** after the power is reinstated. If this occurs during cooking, the program will be erased. The time of day will also be erased. Simply touch Stop/Clear pad and reset the clock for the correct time of day.

Note:

- The DrawerMicro Oven can be programmed with the drawer open except for Start/Add-A-Minute .

TIMER

1. Touch Timer/Clock pad and number **1**.
2. Enter time.
3. Touch Timer/Clock pad again.

To cancel timer, touch Stop/Clear.

STOP/CLEAR

Touch the Stop/Clear pad to:

1. Erase if you make a mistake during programming.
2. Cancel timer.
3. Stop the DrawerMicro Oven temporarily during timed cooking.
4. Return the time of day to the display.
5. Cancel a program during cooking, touch twice for timed cooking.

OPEN OR CLOSE DrawerMicro Oven

Always Touch the OPEN or CLOSE pad on the control panel to open or close the DrawerMicro Oven.

Do not push or pull the DrawerMicro Oven by hand, except in case of emergency, such as a power failure. If necessary, push or pull slowly.

DrawerMicro Oven COOKING

TIME COOKING

Your DrawerMicro Oven can be programmed for 99 minutes 99 seconds (99.99). Always enter the seconds after the minutes, even if they are both zeros.

- Suppose you want to cook for 5 minutes at 100%.
 1. Enter cooking time **5|0|0**.
 2. To cook at 100% power (High), touch Start/Add-A-Minute pad.

TO SET POWER LEVEL

There are eleven preset power levels.

Using lower power levels increases the cooking time, which is recommended for foods such as cheese, milk and long slow cooking of meats. Consult a microwave cookbook or recipes for specific recommendations.

- Suppose you want to defrost for 5 minutes at 30%.
 1. Enter defrost time **5|0|0**.
 2. Touch Power Level 8 times.
 3. Touch Start/Add-A-Minute.

TOUCH POWER LEVEL PAD NUMBER OF TIMES FOR DESIRED POWER	APPROXIMATE PERCENTAGE OF POWER	COMMON WORDS FOR POWER LEVELS
Power Level x 1	100%	High
Power Level x 2	90%	
Power Level x 3	80%	
Power Level x 4	70%	Medium High
Power Level x 5	60%	
Power Level x 6	50%	Medium
Power Level x 7	40%	
Power Level x 8	30%	Med Low/Defrost
Power Level x 9	20%	
Power Level x 10	10%	Low
Power Level x 11	0%	

SENSOR SETTINGS

The Sensor is a semi-conductor device that detects the vapor (moisture and humidity) emitted from the food as it heats. The sensor adjusts the cooking times and power levels for various foods and quantities.

Using Sensor Settings:

1. After the DrawerMicro Oven is plugged in, wait 2 minutes before using any sensor setting.
2. Be sure the exterior of the cooking container and the interior of the DrawerMicro Oven are dry. Wipe off any moisture with a dry cloth or paper towel.
3. The sensor works with foods at normal storage temperature. For example, popcorn would be at room temperature.
4. Any sensor selection can be programmed with More or Less Time Adjustment. See page 25.
5. More or less food than the quantity listed in the charts should be cooked following the guidelines in any microwave cookbook.
6. During the first part of sensor use, the food name will appear on the display. Do not open the DrawerMicro Oven or touch Stop/Clear during this part of the cycle. The measurement of vapor will be interrupted. If this occurs, an error message will appear. To continue cooking, touch the Stop/Clear pad and cook manually.

When the sensor detects the vapor emitted from the food, the remainder of cooking/reheating time will appear. The DrawerMicro Oven may be opened when the remaining time appears on the display. At this time, you may stir or season food, as desired.

7. If the sensor does not detect vapor properly when popping popcorn, the oven will turn off, and the time of day will be displayed. If the sensor does not detect vapor properly when cooking other foods, **ERROR** will be displayed, and the microwave will turn off.
8. Check food temperature after cooking. If additional time is needed, continue to cook manually.
9. Each food has a cooking hint. Touch the Setup/Help pad when the HELP indicator is lighted in the display.

Covering Foods:

Some foods work best when covered. Use the cover recommended in the charts for these foods. You may refer to the hints by touching the Setup/Help pad. See page 26.

1. Casserole lid.
2. Plastic wrap: Use plastic wrap recommended for microwave cooking.

Cover dish loosely; allow approximately 1/2 inch to remain uncovered to allow steam to escape. Plastic wrap should not touch food.

3. Wax paper: Cover dish completely; fold excess wrap under dish to secure. If dish is wider than paper, overlap two pieces at least one inch to cover.

Be careful when removing any covering to allow steam to escape away from you.

SENSOR POPCORN / SENSOR REHEAT

You can pop popcorn and reheat many foods and don't need to calculate cooking time or power level.

Touch Sensor Reheat or Sensor Popcorn and Start/Add-A-Minute pad.

When the sensor detects the vapor emitted from the food, the remainder of cooking/reheating time will appear.

Note:

- The Sensor Popcorn setting has 2 choices. Follow directions in the display to choose desired option.

SENSOR POPCORN / SENSOR REHEAT CHART

FOOD	AMOUNT	PROCEDURE
Sensor Popcorn	Only 1 package at a time	Use only popcorn packaged for the microwave. Try several brands to decide which you like. Do not try to pop unpopped kernels.
	2.85 - 3.5 oz. (Regular/Regular light)	Touch Sensor Popcorn pad once.
	1.2 - 1.75 oz. (Mini / Snack)	Touch Sensor Popcorn pad twice.
Sensor Reheat	4 - 36 oz.	Place in dish or casserole slightly larger than amount to be reheated. Flatten, if possible. Cover with lid, plastic wrap or wax paper. Use covers such as plastic wrap or lids with larger quantities of more dense foods such as stews. After reheating, stir well, if possible. Re-cover and allow to stand 2 to 3 minutes. Foods should be very hot. If not, continue to heat with variable power and time.

SENSOR COOKING

1. Touch Sensor Cook pad once.
2. See Menu Label. Select desired food by touching number pad. Ex: Touch **5** for baked potatoes.
3. Touch Start/Add-A-Minute pad.

Note:

- To heat or cook other foods or foods above or below the quantity allowed on the SENSOR COOK CHART, cook manually.

SENSOR COOK CHART

FOOD	AMOUNT	PROCEDURE
1. Fresh vegetables: soft		Wash and place in casserole. Add no water if vegetables have just been washed. Cover with lid for tender vegetables. Use plastic wrap for tender-crisp vegetables. After cooking, stir, if possible. Let stand, covered, for 2 to 5 minutes.
Broccoli	.25 - 2.0 lb.	
Brussels sprouts	.25 - 2.0 lb.	
Cabbage	.25 - 2.0 lb.	
Cauliflower:		
flowerets	.25 - 2.0 lb.	
whole	1 med.	
Spinach	.25 - 1.0 lb.	
Zucchini	.25 - 2.0 lb.	
Baked apples	2 - 4 med.	
2. Fresh vegetables: hard		Place in casserole. Add 1-4 tablespoons water. Cover with lid for tender vegetables. Use plastic wrap cover for tender-crisp vegetables. After cooking, stir, if possible. Let stand, covered, for 2 to 5 minutes.
Carrots, sliced	.25 - 1.5 lb.	
Corn on the cob	2 - 4	
Green beans	.25 - 1.5 lb.	
Winter squash:		
diced	.25 - 1.5 lb.	
halves	1 - 2	
3. Frozen vegetables	.25 - 1.25 lb.	Add no water. Cover with lid or plastic wrap. After cooking, stir and let stand, covered, for 3 minutes.
4. Frozen entrees	6 - 17 oz.	Use this pad for frozen convenience foods. It will give satisfactory results for most brands. You may wish to try several and choose your favorite. Remove package from outer wrapping and follow package directions for covering. After cooking, let stand, covered, for 1-3 minutes

FOOD	AMOUNT	PROCEDURE															
5. Baked potatoes	1 - 6 med.	Pierce. Place on paper-towel-lined DrawerMicro Oven. After cooking, remove from microwave, wrap in aluminum foil and let stand 5 to 10 minutes.															
6. Ground meat	.25 - 2.0 lb.	Use this setting to cook ground beef or turkey as patties or in a casserole to be added to other ingredients. Place patties on a microwave-safe rack and cover with wax paper. Place ground meat in a casserole and cover with wax paper or plastic wrap. When microwave stops, turn patties over or stir meat in casserole to break up large pieces. Re-cover and touch Start/Add-A-Minute. After cooking, let stand, covered, for 2 to 3 minutes.															
7. Fish/seafood	.25 - 2.0 lb.	Arrange in ring around shallow glass dish (roll fillet with edges underneath). Cover with vented plastic wrap. After cooking, let stand, covered for 3 minutes.															
8. Rice	.5 - 2.0 cup	<p>Place rice into a deep casserole and add double quantity of water. Cover with lid or plastic wrap. After cooking, stir, cover and let stand 3 to 5 minutes or until all liquid has been absorbed.</p> <table border="1" data-bbox="508 1029 958 1230"> <thead> <tr> <th data-bbox="508 1029 636 1068">Rice</th> <th data-bbox="636 1029 753 1068">Water</th> <th data-bbox="753 1029 958 1068">Size of casserole</th> </tr> </thead> <tbody> <tr> <td data-bbox="508 1068 636 1107">.5 cup</td> <td data-bbox="636 1068 753 1107">1 cup</td> <td data-bbox="753 1068 958 1107">1.5 quart</td> </tr> <tr> <td data-bbox="508 1107 636 1146">1 cup</td> <td data-bbox="636 1107 753 1146">2 cups</td> <td data-bbox="753 1107 958 1146">2 quart</td> </tr> <tr> <td data-bbox="508 1146 636 1185">1.5 cups</td> <td data-bbox="636 1146 753 1185">3 cups</td> <td data-bbox="753 1146 958 1185">2.5 or 3 quart</td> </tr> <tr> <td data-bbox="508 1185 636 1224">2 cups</td> <td data-bbox="636 1185 753 1224">4 cups</td> <td data-bbox="753 1185 958 1224">3 quart or larger</td> </tr> </tbody> </table>	Rice	Water	Size of casserole	.5 cup	1 cup	1.5 quart	1 cup	2 cups	2 quart	1.5 cups	3 cups	2.5 or 3 quart	2 cups	4 cups	3 quart or larger
Rice	Water	Size of casserole															
.5 cup	1 cup	1.5 quart															
1 cup	2 cups	2 quart															
1.5 cups	3 cups	2.5 or 3 quart															
2 cups	4 cups	3 quart or larger															



DEFROST

Use this feature to defrost the foods shown in the DEFROST CHART on page 22.

1. Touch Defrost pad.
2. See Menu Label. Select desired food by touching the number pad. Ex: Touch **2** for steaks/chops.
3. Enter weight by touching number pads.
4. Touch Start/Add-A-Minute pad.

The oven will stop so that the food can be checked.

5. After the first stage, open the DrawerMicro Oven. Turn steak over and shield any warm portions. Close the DrawerMicro Oven. Touch Start/Add-A-Minute pad.
6. After the second stage, open the DrawerMicro Oven. Shield any warm portions. Close the DrawerMicro Oven. Touch Start/Add-A-Minute pad.
7. After defrost cycle ends, cover and let stand as indicated in the chart on page 22.

Note:

- Defrost can be programmed with More or Less Time Adjustment. See page 25.
- To defrost other foods or foods above or below the weights allowed on the DEFROST CHART, see MANUAL DEFROST on page 22.
- Check foods when oven signals. After final stage, small sections may still be icy. Let stand to continue thawing. Do not defrost until all ice crystals are thawed.
- Shielding prevents cooking from occurring before the center of the food is defrosted. Use small smooth strips of aluminum foil to cover edges and thinner sections of the food.

DEFROST CHART

FOOD	AMOUNT	PROCEDURE
1. Ground meat	.5 - 2.0 lb	Remove any thawed pieces after each audible signal. Let stand, covered, for 5 to 10 minutes.
2. Steaks/ chops	.5 - 3.0 lb	After each audible signal, rearrange and if there are warm or thawed portions, shield with small flat pieces of aluminum foil. Remove any meat or fish that is almost defrosted. Let stand, covered, for 10 to 20 minutes.
3. Boneless poultry	.5 - 2.0 lb	After each audible signal, if there are warm or thawed portions, rearrange or remove. Let stand, covered, for 10 to 20 minutes.
4. Bone-in poultry	.5 - 3.0 lb	After each audible signal, rearrange pieces or remove portions should they become warm or thawed. Let stand, covered, for 10 to 20 minutes.
5. Casserole/ soup	1 - 6 cups	After each audible signal, break apart and remove any defrosted part. At end, stir well and let stand, covered, for 5 to 10 minutes.

MANUAL DEFROST

If the food that you wish to defrost is not listed on the DEFROST CHART or is above or below the limits in the AMOUNT column on the DEFROST CHART, you need to defrost manually.

You can defrost any frozen food, either raw or previously cooked, by using Power Level at 30%. Follow the exact 3-step procedure found under TO SET POWER LEVEL on page 16. Estimate defrosting time and Touch Power Level pad eight times for 30% power.

For either raw or previously cooked frozen food the rule of thumb is approximately 4 minutes per pound. For example, defrost 4 minutes for 1 pound of frozen spaghetti sauce.

Always stop the oven periodically to remove or separate the portions that are defrosted. If food is not defrosted at the end of the estimated defrosting time, program the oven in 1 minute increments on Power Level 30% until totally defrosted.

When using plastic containers from the freezer, defrost only long enough to remove from the plastic in order to place in a microwave-safe dish.

REHEAT

Reheat automatically computes the correct warming time and microwave power level for foods shown in the chart below.

1. Touch Reheat pad once.
2. See Menu Label. Select desired food by touching number pad. Ex: Touch **2** for frozen rolls or muffins.
3. Touch the number pad to select quantity. Ex: Touch **2** for 2 rolls or muffins.
4. Touch Start/Add-A-Minute pad.

Note:

- Reheat can be programmed with More or Less Time Adjustment. See page 25.
- To reheat other foods or foods above or below the quantity allowed on the REHEAT CHART, heat manually.

REHEAT CHART

FOOD	AMOUNT	PROCEDURE
1. Fresh rolls/ muffins	1 - 8 pcs	Use this pad to warm rolls, muffins, biscuits, bagels etc. Large items should be considered as 2 or 3 regular size. Arrange on plate; cover with paper towel. For refrigerated rolls or muffins, it may be necessary to double the entered amount to ensure the proper serving temperature. For example, enter quantity of 2 for 1 refrigerated muffin.
2. Frozen rolls/ muffins	1 - 8 pcs	Use this pad to warm frozen rolls, muffins, biscuits, bagels etc. Large items should be considered as 2 or 3 regular size. Arrange on plate; cover with paper towel.
3. Beverage	.5 - 2.0 cups	This setting is good for restoring cooled beverage to a better drinking temperature. Stir liquid briskly before and after heating to avoid "eruption".

OTHER FEATURES

KEEP WARM

Keep Warm allows you to keep food warm up to 30 minutes.

DIRECT USE

1. Touch Keep Warm pad.
2. Enter desired time by touching the number pads. To enter 30 minutes, touch **3|0|0|0**.
3. Touch Start/Add-A-Minute pad.

The oven will start. The display will show **30:00** and count down. **KEEP** **WARM** will be displayed intermittently during the count down.

WITH MANUAL COOKING

1. Enter desired cooking time and power level.
2. Touch Keep Warm pad.
3. Enter desired warming time up to 30 minutes.
4. Touch Start/Add-A-Minute pad.

The operation will start. When the cooking time is complete, a long tone will sound and Keep Warm will start. The display will count down. **KEEP** **WARM** will be displayed intermittently during the count down.

Note:

- If you attempt to enter more than 30 minutes for Keep Warm, an error message will appear in the display.
- Keep Warm cannot be programmed with Sensor Popcorn, Sensor Reheat, Sensor Cook, Defrost or Reheat.

MULTIPLE SEQUENCE COOKING

Your DrawerMicro Oven can be programmed for up to 4 automatic cooking sequences, switching from one power level setting to another automatically.

Sometimes cooking directions tell you to start on one power level and then change to a different power level. Your DrawerMicro Oven can do this automatically.

1. First enter cooking time. Then touch Power Level pad once for 100% cooking or repeat touching Power Level pad for a lower power level.
2. Enter second cooking time. Repeat touching Power Level pad for desired level. You can follow this procedure up to 4 times.
3. Touch Start/Add-A-Minute pad.

Note:

- If Power Level pad is touched once, **HIGH** will be displayed.
- If 100% is selected as the final sequence, it is not necessary to touch the Power Level pad.
- If you wish to know power level during cooking, simply touch the Power Level pad. As long as your finger is touching the Power Level pad, the power level will be displayed.
- Keep Warm can be programmed even if 4 cooking sequences have been set.

HELP

Each setting of Sensor Reheat, Sensor Cook, Sensor Popcorn, Keep Warm, Reheat and Defrost has a cooking hint. If you wish to check, touch Setup/Help whenever HELP is lighted in the Interactive Display for these and other manual operation hints.

ADD-A-MINUTE

Add-A-Minute allows you to cook for a minute at 100% by simply touching the Add-A-Minute pad. You can also extend cooking time in multiples of 1 minute by repeatedly touching the Add-A-Minute pad during manual cooking.

Note:

- To use Add-A-Minute, touch pad within 3 minutes after cooking, closing the door or touching the Stop/Clear pad.
- Add-A-Minute cannot be used with Sensor settings, Reheat or Defrost.

MORE OR LESS TIME ADJUSTMENT

Should you discover that you like any of the Sensor, Reheat or Defrost settings slightly more done, touch the Power Level pad once after touching your selection. The display will show **MORE**.

For slightly less done, touch the Power Level pad twice after touching your selection. The display will show **LESS**.

CONTROL LOCK

The Control Lock prevents unwanted drawer operation such as by small children. The DrawerMicro Oven can be set so that the control panel is deactivated or locked.

TO LOCK

Touch Control Lock pad and hold for 3 seconds. The display shows **LOCK ON**.

TO UNLOCK

Touch Control Lock pad and hold for 3 seconds. The display shows **LOCK OFF**.

SETUP/HELP

If the electrical power supply to your DrawerMicro Oven should be interrupted, the display will intermittently show **ENJOY YOUR MICRO-**
WAVE TOUCH CLEAR AND TOUCH CLOCK after the power is reinstated. If this occurs, the Setup/Help option you input will be erased. Simply touch Stop/Clear pad and reset.

AUDIBLE SIGNAL ELIMINATION

At the end of timed cook, beeps will sound. If you wish to have the appliance with no audible signals, you can turn the audible signals off.

TO TURN SOUND OFF

1. Touch Setup/Help pad.
2. Touch Setup/Help pad again.
3. Touch Start/Add-A-Minute pad. The display shows **SOUND OFF**.

TO RESTORE SOUND

1. Touch Setup/Help pad.
2. Touch Setup/Help pad again.
3. Touch Start/Add-A-Minute pad. The display shows **SOUND ON**.

END OF COOKING REMINDER

At end of timed cooking, the microwave will signal every 10 seconds for the first minute; then every 3 minutes until Stop/Clear pad is touched, up to one hour.

TO TURN REMINDER OFF

1. Touch Setup/Help pad three times. The display shows **REMINO SIGNAL**
OFF ? TOUCH START.
2. Touch Start/Add-A-Minute pad. The display shows **REMINO SIGNAL**
OFF.

TO TURN REMINDER SIGNAL BACK ON

1. Touch Setup/Help pad three times. The display shows **REMINO SIGNAL**
ON ? TOUCH START.
2. Touch Start/Add-A-Minute pad. The display shows **REMINO SIGNAL**
ON.

AUTO START

If you wish to program the DrawerMicro Oven to begin cooking automatically at a designated time of day, follow this procedure.

1. Touch Setup/Help pad 4 times. The display shows AUTO START TOUCH START.
2. Touch Start/Add-A-Minute pad.
3. Enter start time.
4. Touch Timer/Clock pad.
5. Touch the number pads to enter cooking time. Touch Power Level pad repeatedly until the desired power level is reached.
6. Touch Start/Add-A-Minute pad.

DEMONSTRATION MODE

TO SELECT DEMO MODE

1. Touch Setup/Help pad five times. The display shows DEMO ON? HOLD START 3 SEC.
2. Hold Start/Add-A-Minute pad for 3 seconds. The display shows DEMO ON.

TO CANCEL DEMO MODE

1. Hold Setup/Help pad five times. The display shows DEMO OFF? TOUCH START.
2. Touch Start/Add-A-Minute pad. The display shows DEMO OFF.

Note:

- DrawerMicro Oven doesn't heat in Demo Mode.
- Display counts down quickly.

CLEANING AND CARE

EXTERIOR

The outside surface is precoated metal and plastic. Clean the outside with mild soap and water; rinse and dry with a soft cloth. Do not use any type of household or abrasive cleaner.

STAINLESS STEEL SURFACE

The exterior should be wiped often with a soft damp cloth and polished with a soft dry cloth to maintain its beauty. There are also a variety of products designed especially for cleaning and shining the stainless exterior of the oven. We recommend that the cleaner be applied to a soft cloth and then carefully used on the stainless exterior rather than sprayed directly on to it. Follow package directions carefully.

FRONT SIDE OF THE DRAWER

Wipe the window on both sides with a soft damp cloth to remove any spills or spatters. Metal parts will be easier to maintain if wiped frequently with a soft damp cloth. Avoid the use of spray and other harsh cleaners as they may stain, streak or dull the door surface.

TOUCH CONTROL PANEL

If desired, the touch pads may be deactivated before cleaning. See the Control Lock information on page 25 of this manual. Wipe the panel with a cloth dampened slightly with water only. Dry with a soft cloth. Do not scrub or use any sort of chemical cleaners. Close door and follow directions on page 25 for turning Control Lock off. Touch Stop/Clear.

INTERIOR

Cleaning is easy because no heat is generated to the interior surfaces; therefore, there is no baking and setting of spills or spattering. To clean the interior surfaces, including drawer sealing surfaces, wipe with a soft damp cloth. **DO NOT USE ABRASIVE OR HARSH CLEANERS OR SCOURING PADS.** For heavier soil, use mild soap; wipe clean with a soft damp cloth. Do not use any chemical oven cleaners.

DrawerMicro Oven GUIDES

Remove the food crumbs from the DrawerMicro Oven guides. Wipe with a soft dry cloth in order to keep the DrawerMicro Oven opening and closing smoothly.

WAVEGUIDE COVER

ATTENTION: The waveguide cover, located on the inside top of the DrawerMicro Oven area, is made from mica, so it requires special care. Keep the waveguide cover clean to assure good microwave performance. Carefully wipe with a soft damp cloth any food spatters from the surface of the cover immediately after they occur. Built-up splashes may overheat and cause smoke or possibly catch fire. Do not remove the waveguide cover.

ODOR REMOVAL

Occasionally, a cooking odor may remain in the DrawerMicro Oven. To remove, combine 1 cup water, grated peel and juice of one lemon and several whole cloves in a 2-cup glass measuring cup. Boil for several minutes using 100% power. Allow to set in the DrawerMicro Oven until cool. Wipe interior with a soft cloth.

BEFORE YOU CALL FOR SERVICE

Please check the following before calling for service. It may save you time and expense.

PROBLEM	POSSIBLE CAUSE	SOLUTION
1. Part or all of DrawerMicro Oven does not operate.	<ul style="list-style-type: none">• Power cord of DrawerMicro Oven is not completely connected to the electrical outlet.• Power outage.• Fuse/circuit breaker at home doesn't work.• DrawerMicro Oven is in Demo Mode.	<ul style="list-style-type: none">• Make sure the power cord is tightly connected to the outlet.• Check house lights to be sure. Call your local electric company for service.• Replace the fuse or reset the circuit breaker.• See page 27 for how to cancel Demo Mode.
2. Food in DrawerMicro Oven is not heated.	<ul style="list-style-type: none">• No power to the appliance.• DrawerMicro Oven controls improperly set.• DrawerMicro Oven is in Demo Mode.	<ul style="list-style-type: none">• See SOLUTION for PROBLEM 1.• Check if the controls have been properly set.• See page 27.
3. DrawerMicro Oven light does not work.	<ul style="list-style-type: none">• Light bulb is loose or burned out.	<ul style="list-style-type: none">• Call for service.
4. Touch controls will not operate.	<ul style="list-style-type: none">• Control Lock is on.	<ul style="list-style-type: none">• See page 25 to unlock.
5. Display flashes.	<ul style="list-style-type: none">• Power failure.	<ul style="list-style-type: none">• Touch Clear pad and reset the clock. If the DrawerMicro Oven was in use, you must reset the cooking function.
6. Steam from the vent.	<ul style="list-style-type: none">• During microwaving, steam may come from the right side of the vent.	

DRAWERMICRO OVEN WARRANTY

TWO YEAR FULL WARRANTY

DrawerMicro Ovens and all of their component parts and accessories, except as detailed below*, are warranted to be free from defective materials or workmanship in normal household use for a period of two (2) years from the date of original retail purchase. Viking Range, LLC, warrantor, agrees to repair or replace, at its option, any part which fails or is found to be defective during the warranty period.

*Glass (including light bulbs), painted and decorative items are warranted to be free from defective materials or workmanship for a period of ninety (90) days from the date of original retail purchase. ANY DEFECTS MUST BE REPORTED TO THE SELLING DEALER WITHIN NINETY (90) DAYS FROM DATE OF ORIGINAL RETAIL PURCHASE.

FIVE YEAR LIMITED WARRANTY

If the magnetron tube fails due to defective materials or workmanship in normal household use during the second through fifth year from the date of original retail purchase it will be repaired or replaced, free of charge for the part itself, with the owner paying all other costs, including labor.

This warranty extends to the original purchaser of the product warranted hereunder and to each transferee owner of the product during the term of the warranty.

This warranty shall apply to products purchased and located here in the United States and Canada. Products must be purchased in the country where service is requested. Warranty labor shall be performed by an authorized Viking Range, LLC service agency or representative. Warranty shall not apply to damage resulting from abuse, accident, natural disaster, loss of electrical power to the product for any reason, alteration, outdoor use, improper installation, improper operation or repair or service of the product by anyone other than an authorized Viking Range, LLC service agency or representative. This warranty does not apply to commercial usage. Warrantor is not responsible for consequential or incidental damage whether arising out of breach of warranty, breach of contract, or otherwise. Some jurisdictions do not allow the exclusion or limitation of incidental or consequential damages, so the above limitation or exclusion may not apply to you.

Owner shall be responsible for proper installation, providing normal care and maintenance, providing proof of purchase upon request, and making the appliance reasonably accessible for service. If the product or one of its component parts contains a defect or malfunction during the warranty period, after a reasonable number of attempts by the warrantor to remedy the defects or malfunctions, the owner is entitled to either a refund or replacement of the product or its component part or parts. Warrantor's liability on any claim of any kind, with respect to the goods or services covered hereunder, shall in no case exceed the price of the goods or service or part thereof which gives rise to the claim.

WARRANTY SERVICE: Under the terms of this warranty, service must be performed by a factory authorized Viking Range, LLC service agent or representative. Service will be provided during normal business hours, and labor performed at overtime or premium rates shall not be covered by this warranty. To obtain warranty service, contact the dealer from whom the product was purchased, an authorized Viking Range, LLC service agent, or Viking Range, LLC. Provide model and serial number and date of original purchase. For the name of your nearest authorized Viking Range, LLC service agency, call the dealer from whom the product was purchased or Viking Range, LLC.

IMPORTANT: Retain proof of original purchase to establish warranty period.

The return of the Owner Registration Card is not a condition of warranty coverage. You should, however, return the Owner Registration Card so that Viking Range, LLC can contact you should any question or safety arise which could affect you.

Any implied warranties of merchantability and fitness applicable to the above described elements or parts are limited in duration to the period of coverage of the applicable express written limited warranties set forth above. Some jurisdictions do not allow limitations on how long an implied warranty lasts, so the above limitation may not apply to you. This warranty gives you specific legal rights, and you may also have other rights which may vary from jurisdiction to jurisdiction.

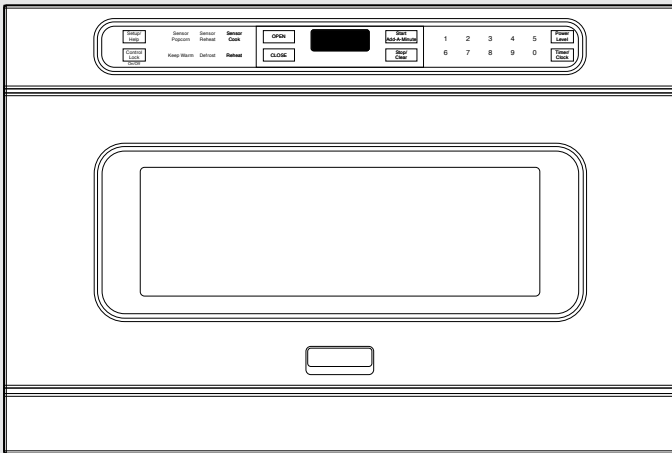
Viking Range, LLC

111 Front Street

Greenwood, Mississippi (MS) 38930 USA (888) 845-4641

Specifications subject to change without notice
For more product information, call 1-888-845-4641 or visit our
web site at vikingrange.com in the US or brigade.ca in Canada

Manual de Uso y Cuidado



Horno DrawerMicro™

VMOD241

INFORMACIÓN DE SERVICIO

Si se necesita servicio:

1. Llame a su agencia de servicio autorizada.
2. Debe tener disponible la siguiente información:
 - a. Número de modelo
 - b. Número de serie
 - c. Fecha de compra
 - d. Nombre del distribuidor al que le realizó la compra
3. Describa claramente el problema que tiene.

Si no puede obtener el nombre de una agencia de servicio autorizada o si continúa teniendo un problema de servicio, comuníquese con Viking Range, LLC al (888) 845-4641 o escriba a:

VIKING RANGE, LLC
PREFERRED SERVICE
111 Front Street
Greenwood, Mississippi (MS) 38930 EE.UU.

Coloque la información que se indica a continuación. Será necesaria si alguna vez requiere del servicio. El número de modelo y de serie de su horno microondas se encuentra en la etiqueta de identificación al lado izquierdo de la cavidad del horno.

Número de modelo _____ Número de serie _____

Fecha de compra _____ Fecha de instalación _____

Distribuidor _____

Dirección _____

Si el servicio requiere de instalación de partes, use sólo las partes autorizadas para garantizar la protección bajo la garantía.

CONSERVE ESTE MANUAL PARA REFERENCIA FUTURA



PRECAUCIONES PARA EVITAR POSIBLES EXPOSICIONES AL EXCESO DE ENERGÍA DEL MICROONDAS

- (a) No trate de operar este horno con la puerta abierta ya que la operación puede provocar una exposición perjudicial a la energía del microondas.
No altere o manipule indebidamente los interbloques de seguridad.
- (b) No coloque ningún objeto entre la parte frontal del horno y la puerta, ni deje que se acumulen residuos de limpiadores o suciedad en las superficies del cierre hermético.
- (c) No opere el microondas si está dañado. Es particularmente importante que la puerta del horno cierre apropiadamente y que no hayan daños en: (1) puerta (inclinación), (2) bisagras y pestillos (rotos o flojos), (3) sellos de la puerta y superficies de cierre hermético.
- (d) El horno sólo debe ser ajustado o reparado por el personal de servicio calificado apropiado.

TABLA DE CONTENIDO

- 2 INFORMACIÓN DE SERVICIO**
- 3 PRECAUCIONES PARA EVITAR POSIBLES EXPOSICIONES AL EXCESO DE ENERGÍA DEL MICROONDAS
- 4 TABLA DE CONTENIDO**
- 5-6 INSTRUCCIONES DE SEGURIDAD IMPORTANTES**
- 7-12 INFORMACIÓN QUE DEBE CONOCER**
 - 7 SOBRE EL DESEMBALAJE Y LA VERIFICACIÓN DE SU Horno DrawerMicro
 - 7 INSTRUCCIONES PARA CONEXIÓN A TIERRA
 - 8 INTERFERENCIA DE RADIO O TELEVISIÓN
 - 8 SOBRE SU Horno DrawerMicro
 - 9 SOBRE LA COCCIÓN POR MICROONDAS
 - 9-11 ACERCA DE LOS UTENSILIOS Y ENVOLTURAS
 - 11-12 SOBRE SEGURIDAD
 - 12 SOBRE LOS NIÑOS Y EL MICROONDAS
 - 12-13 SOBRE LOS ALIMENTOS
- 14-15 NOMBRE DE LAS PARTES**
 - 14 Horno DrawerMicro
 - 15 PANEL DE CONTROL
- 16-17 ANTES DE OPERAR**
 - 16 PARA CONFIGURAR EL RELOJ
 - 16 TIMER (TEMPORIZADOR)
 - 17 STOP/CLEAR (PARAR/BORRAR)
 - 17 PARA ABRIR O CERRAR EL Horno DrawerMicro
- 18-26 COCCIÓN EN EL Horno DrawerMicro**
 - 18 TIEMPO DE COCCIÓN
 - 18 PARA FIJAR EL NIVEL DE POTENCIA**
 - 19 AJUSTES DEL SENSOR
 - 20 SENSOR POPCORN / SENSOR REHEAT (SENSOR DE PALOMITAS DE MAÍZ / SENSOR DE RECALENTAMIENTO)
 - 20-21 TABLA SENSOR POPCORN / SENSOR REHEAT
 - 21 SENSOR COOKING (COCCIÓN POR SENSOR)
 - 21-23 TABLA SENSOR COOK
 - 24 DEFROST (DESCONGELAR)
 - 24 TABLA DEFROST
 - 25 DESCONGELAMIENTO MANUAL
 - 26 REHEAT (RECALENTAMIENTO)
 - 26 TABLA REHEAT
 - 27-30 OTRAS CARACTERÍSTICAS**
 - 27 KEEP WARM (CONSERVAR CALIENTE)
 - 27 COCCIÓN EN SECUENCIAS MÚLTIPLES
 - 28 HELP (AYUDA)
 - 28 ADD-A-MINUTE
 - 28 MAYOR O MENOR AJUSTE DE TIEMPO
 - 29 CONTROL LOCK (BLOQUEO DE CONTROL)
 - 29 SETUP (CONFIGURACIÓN)
 - 29 SUPRESIÓN DE LA SEÑAL AUDIBLE
 - 29 RECORDATORIO DE FINALIZACIÓN DE COCCIÓN
 - 30 INICIO AUTOMÁTICO
 - 30 MODO DEMOSTRACIÓN
 - 31-32 LIMPIEZA Y CUIDADO**
 - 31 PARTE EXTERNA
 - 31 SUPERFICIE DE ACERO INOXIDABLE
 - 31 PARTE FRONTAL DEL CAJÓN
 - 31 PANEL DE CONTROL TÁCTIL
 - 31 PARTE INTERNA
 - 32 GUÍAS DEL Horno DrawerMicro
 - 32 CUBIERTA DE LA GUÍA DE ONDA
 - 32 ELIMINACIÓN DE OLORES
 - 33-34 ANTES DE SOLICITAR SERVICIO**
 - 35 GARANTÍA DEL Horno DrawerMicro**

INSTRUCCIONES DE SEGURIDAD IMPORTANTES

Al usar artefactos eléctricos deben tomarse precauciones de seguridad básicas, incluyendo las siguientes:

ADVERTENCIA - Para reducir el riesgo de quemaduras, choque eléctrico, incendios, lesiones a personas o exposición al exceso de energía del microondas:

1. Leer todas las instrucciones antes de usar el electrodoméstico.
2. Leer y seguir las "PRECAUCIONES PARA EVITAR LA POSIBLE EXPOSICIÓN A ENERGÍA DE MICROONDAS EXCESIVA" en la página 3.
3. Este aparato debe ser molido apropiadamente. Conecte sólo a molió apropiadamente salida. Vea Base Instrucciones en la página 7.
4. Instale o coloque este artefacto sólo de acuerdo al Manual de instalación proporcionado.
5. Algunos productos tales como huevos con cascarón y recipientes sellados — por ejemplo, recipientes de vidrio cerrados — pueden explotar y no de deben calentarse en este horno microondas.
6. Utilice este electrodoméstico sólo para el uso intencionado que se describe en este manual. No usar vapores o químicos corrosivos en este electrodoméstico. Este tipo de horno microondas está diseñado específicamente para calentar, cocinar o descongelar alimentos. No está diseñado para uso industrial o de laboratorios.
7. Como con cualquier electrodoméstico, es necesaria una estricta supervisión al momento de ser operado por menores de edad.
8. No opere este electrodoméstico si tiene un cordón, cable o enchufe dañado. si el electrodoméstico no está funcionando adecuadamente, o si ha sido dañado o dejado caer.
9. Este electrodoméstico únicamente debe ser provisto de servicio de mantenimiento por personal de servicio calificado. Comuníquese con el Centro de servicio autorizado de Viking más cercano para su análisis técnico, reparación o ajuste.
10. No cubrir ni bloquear ningún orificio del electrodoméstico.
11. No almacenar ni utilizar este electrodoméstico al aire libre. No utilizar este producto cerca del agua — por ejemplo, cerca del fregadero de la cocina, en un sótano húmedo o cerca de una piscina o lugares similares.
12. No sumerja cuerda ni tapón en el agua.
13. Mantener alejado el cable de superficies calientes
14. No monte o se siente en el artefacto.
15. No permita hange de cuerda sobre orilla de mesa ni contra.
16. No instale sobre fregadero.
17. No almacene nada directamente encima de la superficie de aparato cuando el aparato está en la operación.

18. Asegúrese que los dedos u otros objetos o materiales no se encuentran alrededor de la abertura del artefacto cuando esté se encuentre cerrado.
19. No coloque los dedos o ropa alrededor de las guías del cajón al momento de abrir o cerrar el artefacto. Éstos podrían quedar atrapados en las guías al cerrar el artefacto.
20. Asegúrese que los alimentos y recipientes no sobrepasen el tamaño del cajón antes de cerrarlo. Verifique la altura de las paredes laterales del cajón.
21. Cuando limpie las superficies de sellado del artefacto que se juntan al cerrar el cajón, aplique con una esponja o paño suave sólo jabón o detergente suave no abrasivo. Vea las instrucciones para limpiar en la página 31.
22. Para reducir el riesgo de incendio en la cavidad del artefacto:
 - a. No cocine demasiado los alimentos. Esté atento cuando se coloquen papeles, plástico o cualquier material combustible dentro del artefacto para facilitar la cocción.
 - b. Retirar los alambres de amarre de las bolsas plásticas o papel antes de colocar la bolsa en el horno microondas.
 - c. Si los materiales en el interior del horno microondas se encienden, mantener cerrada la puerta del horno microondas, apagar el horno microondas y desconectar el cable de suministro de energía o cortar la energía desde el panel de fusibles o cortacircuitos.
 - d. No use el artefacto para almacenar objetos. No deje productos de papel, utensilios de cocina o alimentos en el artefacto cuando no lo use.
23. Líquidos, tales como agua, café o té, son propensos a sobrecalentarse más allá del punto de ebullición sin aparentar que lo están. No siempre será visible un burbujeo o ebullición al retirar el recipiente del horno microondas. **ESTO PUEDE DAR COMO RESULTADO QUE LÍQUIDOS MUY CALIENTES EBULLAN REPENTINAMENTE AL INSERTAR UNA CUCHARA U OTRO UTENSILIO DENTRO DEL LÍQUIDO.**

Para reducir el riesgo de lesiones personales:

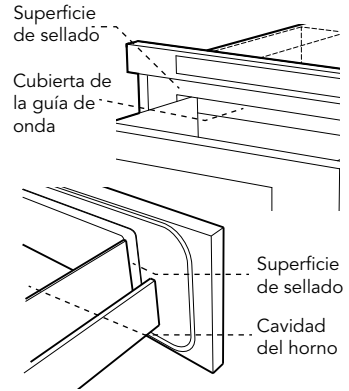
- a. No sobrecalentar el líquido.
 - b. Revolver el líquido antes y durante el proceso de calentamiento.
 - c. No utilizar recipientes de lados rectos con cuellos angostos. Utilizar recipientes de boca ancha.
 - d. Después de calentar, deje reposar el recipiente dentro del horno microondas por lo menos 20 segundos antes de removerlo.
 - e. Tener cuidado extremo al momento de introducir una cuchara u otro utensilio dentro del recipiente.
20. Si la luz del artefacto no funciona, consulte al PERSONAL DE SERVICIO AUTORIZADO.

GUARDE ESTAS INSTRUCCIONES

INFORMACIÓN QUE DEBE CONOCER

SOBRE EL DESEMBALAJE Y LA VERIFICACIÓN DE SU Horno DrawerMicro

1. Retire los materiales de empaque que están dentro de la cavidad del Horno DrawerMicro. **NO RETIRE LA CUBIERTA DE LA GUÍA DE ONDA**, que se encuentra en la parte superior del Horno DrawerMicro.
2. Si hay una etiqueta adhesiva, retírela. Revise que el cajón no tenga daños, como mal alineamiento o inclinación, sellos del cajón y superficies de sellado dañados, guías del cajón rotas o flojas y abolladuras en la cavidad o en la parte frontal del cajón. Si encuentra algún daño, no opere el Horno DrawerMicro y comuníquese con su distribuidor o PERSONAL DE SERVICIO AUTORIZADO.



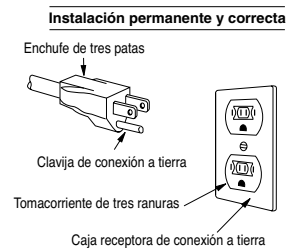
INSTRUCCIONES PARA CONEXIÓN A TIERRA

Este aparato se debe poner a tierra. Este horno está equipado con un cable que tiene un alambre y un enchufe con toma a tierra. Éste se debe conectar en un tomacorriente de pared instalado y conectado a tierra apropiadamente de acuerdo con el Código Eléctrico Nacional y los códigos y reglamentos locales. En caso que se produzca un cortocircuito eléctrico, la conexión a tierra reduce el riesgo de descarga eléctrica proporcionando una vía de escape para la corriente eléctrica.

ADVERTENCIA - El uso inapropiado del enchufe con toma a tierra puede causar una descarga eléctrica.

Requisitos Eléctricos

El horno está equipado con un enchufe con toma a tierra de tres clavijas. **BAJO NINGUNA CIRCUNSTANCIA CORTE O RETIRE LA CLAVIJA DE TIERRA DEL ENCHUFE. NO UTILICE EXTENSIONES DE CABLE.** Si el cable de alimentación es demasiado corto, haga que un electricista o mecánico calificado instale un tomacorriente cerca del artefacto.



El cable de alimentación y el enchufe deben conectarse a un tomacorriente conectado a tierra en circuito independiente de 120 V, 60 HZ, 15 A o más. El tomacorriente debe estar ubicado dentro del gabinete directamente encima de la ubicación del horno microondas como se muestra.

Notas:

1. Si tiene alguna pregunta sobre las instrucciones eléctricas o de conexión a tierra, consulte a un electricista calificado o al encargado de brindar el servicio.
2. Viking Range, LLC y el distribuidor no aceptan ninguna responsabilidad por los daños al horno o las lesiones personales causadas por no seguir los procedimientos de conexión eléctrica correctos.

INTERFERENCIA DE RADIO O TELEVISIÓN

Si hay interferencia causada por el Horno DrawerMicro, en su radio o TV, revise que el horno tenga un circuito eléctrico distinto, aleje la radio o TV del horno microondas lo más que pueda o revise la posición y señal de la antena de recepción.

SOBRE SU Horno DrawerMicro

SIEMPRE coloque alimentos dentro del Horno DrawerMicro durante su operación para que absorban la energía del microondas.

El orificio de ventilación debajo del Horno DrawerMicro no debe ser bloqueado. Durante la cocción, el vapor debe salir del lado derecho del orificio de ventilación.

Al usar el Horno DrawerMicro con niveles de potencia por debajo del 100%, usted podría escuchar que el magnetrón se enciende y apaga. Es normal que la parte exterior del Horno DrawerMicro esté caliente al tacto cuando cocina o recalienta.

La condensación es una parte normal de la cocción con microondas. La humedad ambiental y la humedad en la comida influirán en la cantidad de humedad que se condense en el Horno DrawerMicro. Generalmente, los alimentos cubiertos no producirán tanta condensación como los no cubiertos.

El uso del Horno DrawerMicro se limita únicamente a la preparación de los alimentos. No debe usarse para secar ropa o periódicos.

Su Horno DrawerMicro tiene una capacidad de 950 W haciendo uso del Procedimiento de prueba IEC. Al seguir instrucciones de recetas o de productos envasados, verifique los alimentos uno o dos minutos antes del tiempo mínimo y aumente tiempo según corresponda.

Al abrir o cerrar el Horno DrawerMicro rápidamente, los alimentos pueden derramarse en el interior del microondas. Para realizar la limpieza, consulte la sección Limpieza y cuidado en la página 31.

SOBRE LA COCCIÓN POR MICROONDAS

- Distribuya los alimentos con cuidado. Coloque las áreas más gruesas hacia la parte exterior del plato.
- Verifique el tiempo de cocción. Cocine durante el período de tiempo más corto indicado y aumente como sea necesario. Los alimentos que se cocinan demasiado pueden quemarse o encenderse.
- Cubra los alimentos durante su cocción. Consulte la receta o el libro de cocina para obtener sugerencias: Toallas de papel, papel encerado, película plástica para microondas o una tapa. Las cubiertas evitan derrames y permiten que los alimentos se cocinen de manera uniforme.
- Cubra las áreas delgadas de la carne o carne de ave con piezas pequeñas y planas de papel de aluminio para evitar que se cocinen demasiado antes de que las áreas más gruesas se cocinen por completo.
- Revuelva los alimentos desde afuera hacia adentro del plato una o dos veces durante la cocción, si es posible.
- Voltee los alimentos una vez durante la cocción en microondas para acelerar la cocción de alimentos como pollo y hamburguesas. Los alimentos grandes como asados deben voltearse al menos una vez.
- Reacomode los alimentos como albóndigas a la mitad de la cocción desde la parte superior a la inferior y desde el centro del plato hacia el exterior.
- Deje un tiempo de espera. Retire los alimentos del Horno DrawerMicro y revuélvalos, si es posible. Cubra durante el tiempo de espera, lo cual permite que los alimentos se terminen de cocinar sin recocerlos.
- Verifique la cocción. Verifique si hay señales que indiquen que se ha alcanzado la temperatura de cocción.

Las señales de cocción completa incluyen:

- Todo el alimento emana vapor, no sólo en los bordes.
- Temperatura muy caliente de la base central del plato al tacto.
- Fácil movimiento de las uniones de los muslos del ave.
- La carne y la carne de ave no presentan un color rosáceo.
- El pescado está opaco y se desmenuza fácilmente con un tenedor.

ACERCA DE LOS UTENSILIOS Y ENVOLTURAS

No es necesario comprar utensilios nuevos. Usted puede usar la mayoría de artículos de su cocina en su nuevo Horno DrawerMicro. Asegúrese de que los utensilios no toquen las paredes internas durante la cocción.

Use estos utensilios para una cocción y un recalentamiento seguros en el microondas:

- vitrocerámica (Pyroceram®), como Corningware®.
- Vidrio resistente al calor (Pyrex®)

- plásticos resistentes al microondas
- platos de papel
- cerámica, cerámica de gres y porcelana
- fuentes (sin exceder el tiempo de precalentamiento recomendado. Siga las instrucciones del fabricante.)

Estos artículos pueden ser usados para un corto tiempo de recalentamiento de alimentos con poca grasa o azúcar:

- madera, paja, mimbre

NO UTILICE

- sartenes y utensilios para hornear de metal
- platos con borde metálico
- vidrio no resistente al calor
- plásticos que no resistan las microondas (recipiente de margarina)
- productos de papel reciclado
- bolsas de papel marrón
- bolsas para conservar alimentos
- sujetadores de metal
- metal twist-ties

Si desea verificar si un plato es seguro para uso en el microondas, coloque el plato vacío en el horno y hágalo funcionar durante 30 segundos en HIGH. Si el plato se calienta demasiado no debe ser usado.

Las siguientes envolturas son ideales:

- Las toallas de papeles son ideales para envolver los alimentos al recalentarlos y absorber la grasa al cocinar tocino.
- El papel encerado puede ser usado para cocinar y recalentar.
- La película plástica que está especialmente diseñada para uso en microondas puede usarse para la cocción y recalentamiento. NO deje que la película plástica toque los alimentos. Haga agujeros para que el vapor pueda salir.
- Las tapas que pueden usarse en el microondas son una buena opción ya que aíslan el calor de los alimentos para acelerar la cocción.
- Las bolsas para cocción en hornos son apropiadas para piezas grandes de carne o alimentos que necesitan ablandarse. NO use sujetadores de alambre. Recuerde perforar la bolsa para que pueda salir el vapor.

Cómo usar papel aluminio en el Horno DrawerMicro:

- Pedazos planos pequeños de papel aluminio colocados ligeramente sobre los alimentos pueden ser útiles para proteger áreas que se estén descongelando o cocinando demasiado rápido.

- El papel aluminio no debe estar a menos de una pulgada de cualquier superficie del Horno DrawerMicro.

Si tiene preguntas acerca de los utensilios o envolturas, consulte un buen libro de cocina en microondas o siga las sugerencias de las recetas.

ACCESORIOS Existen muchos accesorios disponibles para microondas. Revise cuidadosamente antes de comprarlos para que satisfagan sus necesidades. Un termómetro resistente a las microondas le ayudará a determinar la cocción correcta y asegurará que sus alimentos se han cocido a temperaturas seguras. Viking no es responsable de ningún daño al Horno DrawerMicro causado por el uso de los accesorios.

SOBRE SEGURIDAD

- Verifique que la cocción de los alimentos se realice de acuerdo a las temperaturas recomendadas del Departamento de Agricultura de los EE.UU.

TEMPERATURA	ALIMENTO
160°F (71°C)	Para platos con cerdo fresco, carne molida, carne blanca de ave deshuesada, pescado, mariscos, huevos y alimentos preparados congelados.
165°F (74°C)	Para sobras, comida refrigerada lista para recalentar y platos preparados y comida "lista" para llevar.
170°F (77°C)	Carne blanca de ave.
180°F (82°C)	Carne oscura de ave.

Para verificar la cocción, introduzca un termómetro para carne en un área gruesa o densa lejos de la grasa y el hueso. NUNCA deje el termómetro en los alimentos durante la cocción, a menos que sea aprobado para uso en horno microondas.

- SIEMPRE use una agarradera para prevenir quemaduras al manipular utensilios que están en contacto con los alimentos calientes. El calor de los alimentos puede transferirse a través de los utensilios causando quemaduras en la piel.
- Evite las quemaduras causadas por el vapor dirigiéndolo lejos de su rostro y manos. Levante lentamente el borde más alejado de la cubierta de un plato y abra con cuidado las bolsas de palomitas de maíz y las bolsas especiales para cocinar en horno apartándolas de su rostro.
- Permanezca cerca del horno mientras esté en uso y verifique con frecuencia el progreso de la cocción para que los alimentos no se cocinen demasiado.
- NUNCA use la cavidad para guardar libros de cocina u otros artículos.
- Seleccione, almacene y manipule los alimentos con cuidado para conservar

su alta calidad y minimizar la propagación de bacterias.

- Conserve limpia la cubierta de la guía de onda. Los residuos de alimentos pueden producir arcos eléctricos o incendios.

SOBRE LOS NIÑOS Y EL MICROONDAS

Los niños menores de 7 años deben usar el Horno DrawerMicro bajo la supervisión cercana de un adulto. En el caso de los niños entre 7 y 12 años, la persona que los supervisa debe estar en la misma habitación. El niño debe alcanzar el Horno DrawerMicro de manera cómoda; en caso contrario, debe usar un banco firme.

No se debe permitir nunca que nadie se apoye o se cuelgue del Horno DrawerMicro.

Los niños deben conocer todas las precauciones de seguridad: usar agarraderas, retirar las cubiertas con cuidado, prestar mucha atención a los paquetes de alimentos crujientes, ya que podrían estar muy calientes.

No asuma que un niño puede cocinar de todo sólo porque aprendió a cocinar un alimento.

Los niños deben aprender que el Horno DrawerMicro no es un juguete. Vea la página 28 para consultar la función de Bloqueo de control.

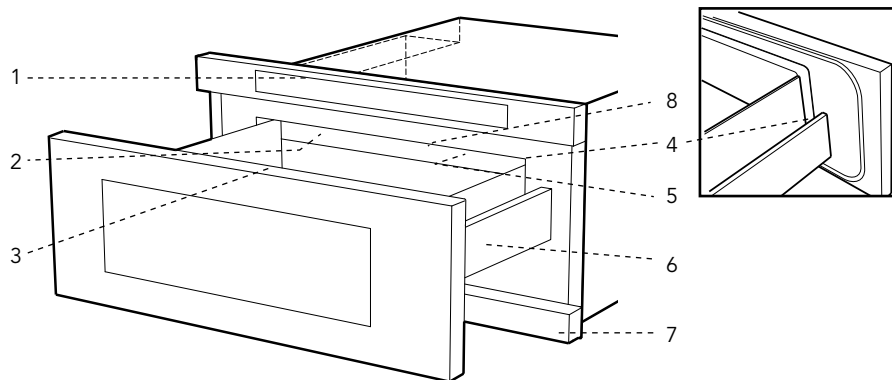
SOBRE LOS ALIMENTOS

ALIMENTO	LO QUE DEBE HACER	LO QUE NO DEBE HACER
Huevos, salchichas, frutos secos, semillas, frutas y vegetales	<ul style="list-style-type: none">• Perfore las yemas del huevo antes de cocinarlo para evitar una "explosión".• Haga pequeños agujeros en la piel de las papas, manzanas, zapallos, hot dogs y salchichas para liberar el vapor.	<ul style="list-style-type: none">• Cocinar los huevos con cáscara.• Recalentar los huevos enteros.• Deshidratar nueces o semillas con cáscara.
Palomitas de maíz	<ul style="list-style-type: none">• Use palomitas de maíz empacadas en una bolsa especial para horno microondas.• Escuche mientras las palomitas revientan para saber si hay una demora de 1 o 2 segundos o use una almohadilla especial para palomitas de maíz.	<ul style="list-style-type: none">• Cocinar palomitas de maíz en bolsas de papel común o en tazones de vidrio.• Exceder el tiempo máximo que indica el paquete de las palomitas de maíz.

ALIMENTO	LO QUE DEBE HACER	LO QUE NO DEBE HACER
Alimentos para bebés	<ul style="list-style-type: none"> • Transfiera los alimentos del bebé a un plato pequeño y caliéntelos con cuidado, revolviendo con frecuencia. Verifique la temperatura antes de servir. • Coloque las tetinas en las botellas después de calentarlas y sacúdalas bien. Verifique la temperatura usted mismo antes de alimentar al bebé. 	<ul style="list-style-type: none"> • Calentar botellas desechables. • Calentar las botellas con las tetinas puestas. • Calentar los alimentos del bebé en sus frascos originales.
General	<ul style="list-style-type: none"> • Corte los alimentos horneados con relleno después de calentarlos para liberar el vapor y prevenir las quemaduras. • Revuelva bien los líquidos antes, durante y después de calentar para evitar "erupciones". • Use un tazón profundo al cocinar líquidos o cereales para evitar que rebosen. • Los alimentos no deben sobrepasar el tamaño del cajón para microondas. Verifique la altura de las paredes laterales del cajón. 	<ul style="list-style-type: none"> • Calentar o cocinar en frascos de vidrio cerrados o en recipientes herméticos. • Preparar conservas o mermeladas en el microondas ya que las bacterias dañinas podrían no ser destruidas. • Freír en aceite. • Secar madera, calabazas, hierbas o papeles húmedos.

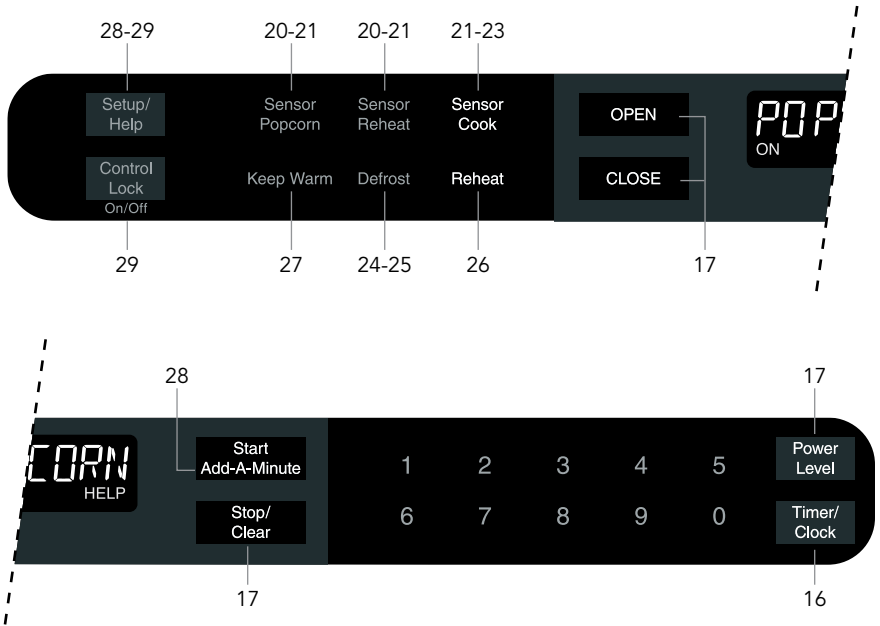
NOMBRE DE LAS PARTES

Horno DrawerMicro



1. Panel de control
2. Cubierta de la guía de onda NO LA RETIRE
3. Etiqueta de menú
4. Superficies de sellado del cajón
5. Iluminación del cajón
6. Guías del Horno DrawerMicro
7. Placa de identificación: Abra el Horno DrawerMicro por completo. La etiqueta se encuentra ligeramente más allá de la pared posterior de la cavidad del microondas y con dirección hacia arriba desde la superficie plana.

PANEL DE CONTROL



El número cerca de la ilustración del panel de control indica las páginas donde puede encontrar descripciones de las características e información de uso.

ANTES DE OPERAR

Antes de operar su nuevo Horno DrawerMicro, asegúrese de haber leído y entendido completamente esta Guía de uso y cuidado.

- Antes de usar el Horno DrawerMicro, siga estos pasos:

1. Conecte el Horno DrawerMicro. Aparecerá el mensaje **ENJOY**
YOUR MICRO-WAVE TOUCH CLEAR AND TOUCH CLOCK .
2. Presione el botón Stop/Clear. **:** aparecerá.
3. Programe el reloj.

PARA CONFIGURAR EL RELOJ

1. Presione Timer/Clock y el botón del número **2**.
2. Presione los botones de números para ingresar la hora correcta del día y presione nuevamente el botón Timer/Clock.

Este es un reloj de 12 horas. Si intenta ingresar una hora incorrecta en el reloj, la pantalla mostrará el mensaje **ERROR**. Presione el botón Stop/Clear y restablezca el reloj.

- Si se interrumpe, el suministro de energía eléctrica del Horno DrawerMicro el mensaje destellará intermitentemente en pantalla mostrando **ENJOY**
YOUR MICRO-WAVE TOUCH CLEAR AND TOUCH CLOCK luego de restablecer la energía. Si esto ocurre durante la cocción, se borrará el programa. También se borrará la hora del día. Sólo presione el botón Stop/Clear y restablezca el reloj para ingresar la hora correcta del día.

Nota:

- El Horno DrawerMicro puede programarse con el cajón abierto excepto para Start/Add-A-Minute.

TIMER (TEMPORIZADOR)

1. Presione el botón Timer/Clock y el número **1**.
2. Ingrese el tiempo.
3. Presione nuevamente el botón Timer/Clock.

Para cancelar el temporizador, presione Stop/Clear.

STOP/CLEAR (PARAR/BORRAR)

Presione el botón Stop/Clear (Parar/Borrar) para:

1. Borrar si comete un error durante la programación.
2. Cancelar el temporizador.
3. Detener el horno temporalmente durante la cocción.
4. Reingresar la hora del día en la pantalla.
5. Cancelar un programa durante la cocción, presionando dos veces.

PARA ABRIR O CERRAR EL Horno DrawerMicro

Siempre presione el botón OPEN o CLOSE en el panel de control para abrir o cerrar el Horno DrawerMicro.

No presione o tire del manualmente del Horno DrawerMicro, excepto en caso de emergencia, como una falla eléctrica. Si es necesario presione o jale lentamente.

COCCIÓN EN EL Horno DrawerMicro

TIEMPO DE COCCIÓN

El Horno DrawerMicro puede ser programado para 99 minutos 99 segundos (99.99). Siempre ingrese los segundos después de los minutos, aun si ambos son 0.

- Suponga que desea cocinar por 5 minutos al 100%.
1. Ingrese el tiempo de cocción **5|0|0**.
 2. Para cocinar a una potencia al 100% (Alta), presione el botón Start/Add-A-Minute.

PARA FIJAR EL NIVEL DE POTENCIA

Existen once niveles de potencia predeterminados.

Usar los niveles de potencia más bajos aumenta el tiempo de cocción, lo que es recomendable para alimentos como queso, leche y la cocción lenta y prolongada de carnes. Consulte el libro de recetas o las recetas para recomendaciones específicas.

- Suponga que desea descongelar durante 5 minutos al 30%.
1. Ingrese el tiempo de descongelamiento **5|0|0**.
 2. Presione Power Level 8 veces.
 3. Presione Start/Add-A-Minute.

PRESIONE EL BOTÓN POWER LEVEL EL NÚMERO DE VECES NECESARIO PARA ALCANZAR LA POTENCIA DESEADA	PORCENTAJE APROXIMADO DE POTENCIA	PALABRAS COMUNES PARA LOS NIVELES DE POTENCIA
Power Level x 1	100%	Alto
Power Level x 2	90%	
Power Level x 3	80%	
Power Level x 4	70%	Medio-alto
Power Level x 5	60%	
Power Level x 6	50%	Medio
Power Level x 7	40%	
Power Level x 8	30%	Medio bajo/descongelar
Power Level x 9	20%	
Power Level x 10	10%	Bajo
Power Level x 11	0%	

AJUSTES DEL SENSOR

El sensor de Viking es un dispositivo semiconductor que detecta el vapor (humedad) emitido por los alimentos mientras se calientan. El sensor ajusta los tiempos de cocción y los niveles de potencia para diversos alimentos y cantidades.

Uso de los ajustes del sensor:

1. Después de conectar el Horno DrawerMicro, espere 2 minutos antes de usar los ajustes del sensor.
2. Asegúrese de que el exterior del recipiente de cocción y el interior del Horno DrawerMicro estén secos. Remueva cualquier rastro de humedad con un paño seco o toalla de papel.
3. El sensor funciona con alimentos a una temperatura de almacenamiento normal. Por ejemplo, las palomitas de maíz pueden estar a temperatura ambiente.
4. Cualquier selección de sensor puede ser programada con mayor o menor ajuste de tiempo. Vea la página 30.
5. Si la cantidad de alimentos es mayor o menor a la que indica la tabla, debe ser cocinada siguiendo las pautas de cualquier libro de cocina para microondas.
6. Durante la primera parte de la cocción por sensor, el nombre de los alimentos aparecerá en la pantalla. No abra la puerta del Horno DrawerMicro ni presione el botón Stop/Clear (Parar/Borrar) durante esta parte del ciclo. La medición del vapor será interrumpida. Si esto sucede, en la pantalla aparecerá un mensaje de error. Para continuar la cocción, presione el botón Stop/Clear y cocine manualmente.
Cuando el sensor detecte el vapor de los alimentos, aparecerá en la pantalla el tiempo de cocción/recalentamiento restante. Puede abrir el Horno DrawerMicro cuando aparezca en la pantalla el tiempo restante. En este momento, puede revolver o sazonar los alimentos, como desee.
7. Si el sensor no detecta el vapor apropiadamente al cocinar palomitas de maíz, el horno se apagará y aparecerá en la pantalla la hora del día. Si el sensor no detecta el vapor apropiadamente al cocinar otros alimentos, el mensaje **ERROR** aparecerá en la pantalla y el horno microondas se apagará.
8. Revise la temperatura de los alimentos después de la cocción. De ser necesario un tiempo adicional, continúe la cocción manualmente.
9. Cada alimento tiene una sugerencia de cocción. Presione el botón Setup/Help cuando se encienda el indicador HELP en la pantalla.

Envoltura de alimentos:

Algunos alimentos se cocinan mejor cuando están cubiertos. Use la envoltura recomendada en la tabla de alimentos.

1. Tapa de la cacerola.
2. Película plástica: Use la película plástica recomendada para cocción en microondas. Envuelva los platos de forma suelta; deje un espacio de casi 1/2 pulgada sin cubrir para permitir la salida de vapor. La película plástica no debe tocar los alimentos.
3. Papel encerado: Cubra el plato completamente; doble el exceso de la envoltura debajo del plato para asegurar. Si el plato es más ancho que el papel, sobreponga por lo menos una pulgada de dos pedazos para cubrir.

Tenga cuidado al retirar cualquier envoltura para permitir la salida de vapor lejos de usted.

SENSOR POPCORN / SENSOR REHEAT (SENSOR DE PALOMITAS DE MAÍZ / SENSOR DE RECALENTAMIENTO)

Usted tiene la opción de preparar palomitas de maíz y recalentar muchos alimentos y no necesita calcular el tiempo de cocción o nivel de potencia.

Presione Sensor Reheat o Sensor Popcorn y el botón Start/Add-A-Minute.

Cuando el sensor detecte el vapor de los alimentos, aparecerá en la pantalla el tiempo de cocción/recalentamiento restante.

Nota:

- El ajuste Sensor Popcorn tiene 2 opciones. Siga las instrucciones en la pantalla para elegir la opción que desee.

TABLA SENSOR POPCORN / SENSOR REHEAT

ALIMENTO	CANTIDAD	PROCEDIMIENTO
Sensor Popcorn	Sólo un paquete a la vez	Use palomitas de maíz envasadas especialmente para uso en microondas. Pruebe con varias marcas para elegir la que prefiera. No intente cocinar los granos que no reventaron completamente.
	2.85 - 3.5 onzas (Normal/ Ligero)	Presione el botón Sensor Popcorn una vez.
	1.2 - 1.75 onzas (Pequeño / Bocadito)	Presione el botón Sensor Popcorn dos veces.

TABLA SENSOR POPCORN / SENSOR REHEAT

ALIMENTO	CANTIDAD	PROCEDIMIENTO
Sensor Reheat	4 - 36 onzas	Coloque en un plato o cacerola ligeramente más grande que la cantidad que va a recalentar. Aplane, si es posible. Recubra con una tapa, película plástica o papel encerado. Use envolturas como películas plásticas o tapas para grandes cantidades de alimentos con mayor densidad como estofados. Después de recalentar, revuelva bien, si es posible. Recubra y deje que permanezca de 2 a 3 minutos. Los alimentos deben estar muy calientes. Si no es así, continúe el recalentamiento con una potencia y tiempo variables.

SENSOR COOKING (COCCIÓN POR SENSOR)

1. Presione el botón Sensor Cook una vez.
2. Vea la Etiqueta de menú. Seleccione el alimento deseado presionando el botón de número. Ej: Presione **5** para papas al horno.
3. Presione el botón Start/Add-A-Minute.

Nota:

- Para calentar o cocinar otros alimentos o alimentos en cantidades mayores o menores a las permitidas en la TABLA SENSOR COOK, hágalo manualmente.

TABLA SENSOR COOK

ALIMENTO	CANTIDAD	PROCEDIMIENTO
1. Vegetales frescos: suaves		Lave y coloque en una cacerola. No agregue agua si acaba de lavar los vegetales. Recubra con la tapa para vegetales tiernos. Use película plástica para vegetales tiernos y crocantes. Después de la cocción, revuelva si es posible. Deje que los alimentos reposen cubiertos de 2 a 5 minutos.
Brócoli	.25 - 2.0 libras	
Coles de Bruselas	.25 - 2.0 libras	
Repollo	.25 - 2.0 libras	
Coliflor:		
flores pequeñas	.25 - 2.0 libras	
entera	1 medianas	
Espinaca	.25 - 1.0 libras	
Calabacín	.25 - 2.0 libras	
Manzanas al horno	2 - 4 medianas	

TABLA SENSOR COOK

ALIMENTO	CANTIDAD	PROCEDIMIENTO
2. Vegetales frescos: duros Zanahorias en tajadas Maíz en mazorca Frijol verde Calabaza: picada en mitades	.25 - 1.5 libras 2 - 4 .25 - 1.5 libras .25 - 1.5 libras 1 - 2	Coloque en una cacerola. Agregue 1-4 cucharadas de agua. Recubra con la tapa para vegetales tiernos. Use película plástica para vegetales tiernos. Después de la cocción, revuelva si es posible. Deje que los alimentos reposen cubiertos de 2 a 5 minutos.
3. Vegetales congelados	.25 - 1.25 libras	No agregue agua. Cubra con una tapa o película plástica. Después de la cocción, revuelva y déjelos reposar cubiertos durante 3 minutos.
4. Platos de entrada congelados	6 - 17 onzas	Use este botón para congelar convenientemente los alimentos. Obtendrá resultados satisfactorios para la mayoría de marcas. Si desea puede probar las diversas marcas y elegir la que prefiera. Retire la envoltura externa del paquete y siga las instrucciones del mismo para cubrirlo. Después de la cocción, deje reposar cubierto de 1 a 3 minutos.
5. Papas al horno	1 - 6 medianas	Haga pequeños agujeros. Colóquelas sobre el Horno DrawerMicro forrado con papel toalla. Después de la cocción, retire del microondas, envuelva en papel aluminio y deje reposar de 5 a 10 minutos.

TABLA SENSOR COOK

ALIMENTO	CANTIDAD	PROCEDIMIENTO															
6. Carne molida	.25 - 2.0 libras	Use este ajuste para cocinar carne de res o de pavo picada como hamburguesas o en cacerolas para ser agregados a otros ingredientes. Coloque las hamburguesas en una rejilla para microondas y recubra con papel encerado. Coloque la carne molida en una cacerola y cúbrala con papel encerado o una película plástica. Cuando el microondas se detenga, voltee las hamburguesas o revuelva la carne en la cacerola para dividir las piezas grandes. Cubra nuevamente y presione Start/Add-A-Minute. Luego de la cocción, deje reposar cubierto de 2 a 3 minutos.															
7. Pescado/ mariscos	.25 - 2.0 libras	Colóquelo en forma de anillo en un plato de vidrio hondo (enrolle el filete ocultando los bordes). Cubra con una película plástica con agujeros de ventilación. Después de la cocción, déjelo reposar cubierto durante 3 minutos.															
8. Arroz	.5 - 2.0 tazas	<p>Coloque el arroz en una cacerola honda y agregue el doble de cantidad de agua. Cubra con una tapa o película plástica. Después de la cocción, revuelva, cubra y deje reposar de 3 a 5 minutos o hasta que absorba todo el líquido.</p> <table border="1"> <thead> <tr> <th>Arroz</th> <th>Aqua</th> <th>Tamaño de la cacerola</th> </tr> </thead> <tbody> <tr> <td>0.5 taza</td> <td>1 taza</td> <td>1.5 cuartos</td> </tr> <tr> <td>1 taza</td> <td>2 tazas</td> <td>2 cuartos</td> </tr> <tr> <td>1.5 taza</td> <td>3 tazas</td> <td>2.5 o 3 cuartos</td> </tr> <tr> <td>2 tazas</td> <td>4 tazas</td> <td>3 cuartos o más</td> </tr> </tbody> </table>	Arroz	Aqua	Tamaño de la cacerola	0.5 taza	1 taza	1.5 cuartos	1 taza	2 tazas	2 cuartos	1.5 taza	3 tazas	2.5 o 3 cuartos	2 tazas	4 tazas	3 cuartos o más
Arroz	Aqua	Tamaño de la cacerola															
0.5 taza	1 taza	1.5 cuartos															
1 taza	2 tazas	2 cuartos															
1.5 taza	3 tazas	2.5 o 3 cuartos															
2 tazas	4 tazas	3 cuartos o más															

DEFROST (DESCONGELAR)

Use esta función para descongelar los alimentos mostrados en la TABLA DEFROST de la página 24-25.

1. Presione el botón Defrost.
2. Vea la Etiqueta de menú. Seleccione el alimento deseado presionando el botón de número. Ej: Presione **2** para Bistec/chuletas.
3. Ingrese el peso presionando los botones de número.
4. Presione el botón Start/Add-A-Minute.

El horno se detendrá para que pueda revisar el alimento.

5. Después de la primera etapa, abra el Horno DrawerMicro. Dé vuelta al bistec y cubra las porciones calientes. Cierre el Horno DrawerMicro. Presione el botón Start/Add-A-Minute.
6. Después de la segunda etapa, abra el Horno DrawerMicro. Cubra todas las partes calientes. Cierre el Horno DrawerMicro. Presione el botón Start/Add-A-Minute.
7. Al terminar el ciclo de descongelamiento, cubra y deje reposar como se indica en la tabla de la página 24-25.

Nota:

- La función Defrost puede ser programada con ajuste de mayor o menor tiempo. Vea la página 28.
- Para descongelar otros alimentos o una cantidad de alimentos por encima o debajo de los pesos permitidos en la TABLA DEFROST (DESCONGELAMIENTO), vea MANUAL DEFROST (DESCONGELAMIENTO MANUAL) de la página 25.
- Revise los alimentos a la señal del horno. Después de la etapa final, todavía pueden quedar partes pequeñas con hielo. Deje reposar para continuar el descongelamiento. No descongele hasta que se derritan todos los cristales de hielo.
- Cubrir los alimentos evita la cocción antes de que el centro del alimento esté descongelado. Use pequeñas tiras de papel aluminio para cubrir los bordes y las secciones más delgadas del alimento.

TABLA DEFROST

ALIMENTO	CANTIDAD	PROCEDIMIENTO
1. Carne molida	.5 - 2.0 libras	Retire las partes congeladas después de cada señal audible. Cubra y deje reposar de 5 a 10 minutos.

ALIMENTO	CANTIDAD	PROCEDIMIENTO
2. Bistec / chuletas	.5 - 3.0 libras	Después de cada señal audible, reacomode y si hubiera alguna porción tibia o descongelada, protéjala con piezas pequeñas y planas de papel aluminio. Retira las porciones de carne o pescado que estén casi descongeladas. Cubra y deje reposar de 10 a 20 minutos.
3. Carne de ave deshuesada	.5 - 2.0 libras	Después de cada señal audible, reacomode o retire si hay porciones tibias o descongeladas. Cubra y deje reposar de 10 a 20 minutos.
4. Carne de ave con hueso	.5 - 3.0 libras	Después de cada señal audible, reacomode las piezas o retire las porciones que se encuentren calientes o descongeladas. Cubra y deje reposar de 10 a 20 minutos.
5. Cazuela / sopa	1 - 6 tazas	Después de cada señal audible, desmenuce y retire cualquier parte descongelada. Al final, revuelva bien y deje reposar cubierto de 5 a 10 minutos.

DESCONGELAMIENTO MANUAL

Si el alimento que quiere descongelar no aparece en la tabla DEFROST o si está por encima o debajo de los límites en la columna de CANTIDAD, deberá descongelar manualmente.

Usted puede descongelar cualquier alimento congelado, crudo o precocido usando el Nivel de potencia al 30%. Siga exactamente el procedimiento del paso 3 en Para fijar el nivel de potencia en la página 18. Calcule el tiempo de descongelamiento y presione ocho veces el botón Power Level para una potencia del 30%.

Para alimentos crudos o precocidos congelados la regla general indica 4 minutos por libra. Por ejemplo, descongele durante 4 minutos una libra de salsa para espaguetis congelada.

Siempre detenga el horno continuamente para retirar o separar las porciones que esté descongelando. Si al final del tiempo de descongelamiento calculado los alimentos no se han descongelado, programe el horno en incrementos de 1 minuto a un nivel de potencia del 30% hasta que se descongelen totalmente.

Cuando use recipientes de plástico del congelador, descongele sólo lo suficiente para retirar el alimento del congelador y colocar el alimento en un plato para microondas.

REHEAT (RECALENTAMIENTO)

Con Reheat (recalentamiento) puede calcular automáticamente y de manera correcta el tiempo de cocción y el nivel de potencia del microondas para los alimentos que se muestran en la siguiente tabla.

1. Presione el botón Reheat (Recalentamiento) una vez.
2. Vea la Etiqueta de menú. Seleccione el alimento deseado presionando el botón de número. Ej: Presione [2] para rosquillas o panecillos congelados.
3. Presione el botón de número para seleccionar la cantidad. Ej: Presione [2] para 2 rosquillas o panecillos.
4. Presione el botón Start/Add-A-Minute.

Nota:

- La función Reheat puede ser programada con ajuste de mayor o menor tiempo. Vea la página 28.
- Para recalentar otros alimentos o una cantidad de alimentos por encima o debajo de la cantidad permitida en la TABLA REHEAT, hágalo manualmente.

TABLA REHEAT

ALIMENTO	CANTIDAD	PROCEDIMIENTO
1. Rosquillas / panecillos frescos	1 - 8 unidades	Use este botón para calentar rosquillas, panecillos, bizcochos, roscas, etc. Las porciones grandes deben considerarse como 2 ó 3 de tamaño normal. Colóquelos en un plato y cubra con toalla de papel. Para rosquillas o panecillos refrigerados, puede ser necesario duplicar la cantidad ingresada para asegurar que la temperatura para servir sea adecuada. Por ejemplo, ingrese una cantidad de 2 para un panecillo refrigerado.
2. Rosquillas / panecillos congelados	1 - 8 unidades	Use este botón para calentar rosquillas, panecillos, bizcochos, roscas congeladas, etc. Las porciones grandes deben considerarse como 2 ó 3 de tamaño normal. Colóquelos en un plato y cubra con toalla de papel.
3. Bebidas	.5 - 2.0 tazas	Este ajuste es adecuado para calentar una bebida fría a una mejor temperatura para beber. Revuelva bien los líquidos antes y después de calentar para evitar "erupciones".

OTRAS CARACTERÍSTICAS

KEEP WARM (CONSERVAR CALIENTE)

Con Keep Warm usted puede mantener los alimentos calientes hasta 30 minutos.

USO DIRECTO

1. Presione el botón Keep Warm.
2. Ingrese el tiempo deseado presionando los botones de números. Para ingresar 30 minutos, presione **3 0 0 0**.
3. Presione el botón Start/Add-A-Minute.

El horno empezará a funcionar. La pantalla mostrará **30:00** en conteo regresivo. El mensaje **KEEP WARM** destellará intermitentemente durante el conteo regresivo.

CON COCCIÓN MANUAL

1. Ingrese el tiempo de cocción y el nivel de potencia deseados.
2. Presione el botón Keep Warm.
3. Ingrese el tiempo de conservación deseado de hasta 30 minutos.
4. Presione el botón Start/Add-A-Minute.

El horno empezará a funcionar. Al completar el tiempo de cocción, se escuchará un tono largo y se iniciará la función Keep Warm. En la pantalla aparecerá el conteo regresivo. El mensaje **KEEP WARM** destellará intermitentemente durante el conteo regresivo.

Nota:

- Al tratar de ingresar más de 30 minutos para la función Keep Warm, en la pantalla aparecerá un mensaje de error.
- La función Keep Warm no puede ser programada con las funciones Sensor Popcorn, Sensor Reheat, Sensor Cook, Defrost o Reheat.

COCCIÓN EN SECUENCIAS MÚLTIPLES

Su Horno DrawerMicro puede ser programado para 4 secuencias de cocción automática, cambiando automáticamente de un ajuste de nivel de potencia a otro.

A veces, las instrucciones de cocción le indican empezar en un nivel de potencia y luego cambiar a un nivel de potencia diferente. Su Horno DrawerMicro puede hacerlo automáticamente.

1. Primero ingrese el tiempo de cocción. Luego presione el botón Power Level una vez para cocción al 100% o repita presionando el mismo para un nivel menor de potencia.

- Ingrese el segundo tiempo de cocción. Repita presionando el botón Power Level hasta obtener el nivel deseado. Usted puede realizar este proceso hasta 4 veces.
- Presione el botón Start/Add-A-Minute.

Nota:

- Si presionó el botón Power Level una vez, en la pantalla aparecerá el mensaje **HIGH**.
- Si selecciona 100% como secuencia final, no es necesario presionar el botón Power Level.
- Si desea saber el nivel de potencia durante la cocción, presione simplemente el botón Power Level. Siempre que presione el botón Power Level, el nivel de potencia aparecerá en pantalla.
- La función Keep Warm puede ser programada aún si se han ajustado las 4 secuencias de cocción.

HELP (AYUDA)

Cada ajuste de las funciones Sensor Reheat, Sensor Cook, Sensor Popcorn, Keep Warm, Reheat y Defrost tiene una sugerencia de cocción. Si desea verificarlas, presione Setup/ Help (Configuración/ayuda) cuando el mensaje HELP en la Pantalla interactiva para estas sugerencias y otras sugerencias de operación manual.

ADD-A-MINUTE

La función Add-A-Minute le permite cocinar por un minuto al 100% con sólo presionar el botón Add-A-Minute. También puede extender el tiempo de cocción en múltiplos de 1 minuto presionando repetidamente el botón Add-A-Minute durante la cocción manual.

Nota:

- Para usar la función Add-A-Minute, presione el botón dentro de los 3 minutos posteriores a la cocción, cerrando la puerta o presionando el botón Stop/Clear.
- La función Add-A-Minute no puede ser usada con las funciones Sensor, Reheat o Defrost.

MAYOR O MENOR AJUSTE DE TIEMPO

Si prefiere que alguna de las funciones Sensor, Reheat o Defrost sea ligeramente mayor, presione una vez el botón Power Level luego de presionar los botones de su elección. La pantalla mostrará **MORE**.

Si desea que esté ligeramente menos cocido, presione dos veces el La pantalla mostrará **LESS**.

CONTROL LOCK (BLOQUEO DE CONTROL)

Control Lock evita que el microondas en cajón sea operado accidentalmente por niños pequeños, por ejemplo. El Horno DrawerMicro puede ajustarse para que el panel de control se desactive o bloquee.

PARA BLOQUEAR

Presione el botón Control Lock durante 3 segundos. En la pantalla aparecerá **LOCK ON**.

PARA DESBLOQUEAR

Presione el botón Control Lock durante 3 segundos. En la pantalla aparecerá **LOCK OFF**.

SETUP (CONFIGURACIÓN)

Si se interrumpe, el suministro de energía eléctrica del cajón con horno microondas el mensaje destellará intermitentemente en pantalla mostrando **ENJOY YOUR MICRO-WAVE TOUCH CLEAR AND TOUCH CLOCK** luego de restablecer la energía. Si esto ocurre, se cancelará la opción Setup/Help. Presione el botón Stop/Clear y restablezca.

SUPRESIÓN DE LA SEÑAL AUDIBLE

Al finalizar el tiempo de cocción, se escuchará un sonido. Si desea suprimir la señal audible del electrodoméstico, puede desactivar las señales audibles.

PARA DESACTIVAR EL SONIDO

1. Presione el botón Setup/Help.
2. Presione nuevamente el botón Setup/Help.
3. Presione el botón Start/Add-A-Minute. En la pantalla aparecerá el mensaje **SOUND OFF**.

PARA RESTAURAR EL SONIDO

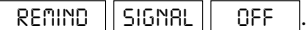
1. Presione el botón Setup/Help.
2. Presione nuevamente el botón Setup/Help.
3. Presione el botón Start/Add-A-Minute. En la pantalla aparecerá el mensaje **SOUND ON**.

RECORDATORIO DE FINALIZACIÓN DE COCCIÓN

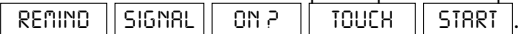
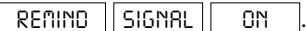
Al finalizar el tiempo de cocción, el microondas emitirá una señal cada 10 segundos durante el primer minuto y luego cada 3 minutos hasta que se presione el botón Stop/Clear, hasta un máximo de una hora.

PARA DESACTIVAR EL RECORDATORIO

1. Presione tres veces el botón Setup/Help. En la pantalla aparecerá el mensaje **REMIND SIGNAL OFF ? TOUCH START**.


2. Presione el botón Start/Add-A-Minute. En la pantalla aparecerá el mensaje .

PARA ACTIVAR NUEVAMENTE LA SEÑAL DE RECORDATORIO

1. Presione tres veces el botón Setup/Help . En la pantalla aparecerá el mensaje .
2. Presione el botón Start/Add-A-Minute. En la pantalla aparecerá el mensaje .


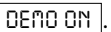
INICIO AUTOMÁTICO

Si desea programar el Horno DrawerMicro para que inicie la cocción automáticamente en una determinada hora del día, siga este procedimiento.



1. Presione 4 veces el botón Setup/Help. En la pantalla aparecerá el mensaje .
2. Presione el botón Start/Add-A-Minute.
3. Ingrese la hora de inicio.
4. Presione el botón Timer/Clock.
5. Presione los botones de número para ingresar tiempo de cocción. Presione el botón Power Level en repetidas veces hasta alcanzar el nivel de potencia deseado.
6. Presione el botón Start/Add-A-Minute.

MODO DEMOSTRACIÓN

PARA SELECCIONAR MODO DE DEMOSTRACIÓN

1. Presione cinco veces el botón Setup/Help. En la pantalla aparecerá el mensaje .
2. Presione el botón Start/Add-A-Minute durante 3 segundos. En la pantalla aparecerá el mensaje .

PARA CANCELAR MODO DE DEMOSTRACIÓN

1. Presione cinco veces el botón Setup/Help. En la pantalla aparecerá el mensaje .
2. Presione el botón Start/Add-A-Minute. En la pantalla aparecerá el mensaje .

Nota:

- La función Recalentar del Horno DrawerMicro no funciona en Modo demostración.
- El conteo regresivo de la pantalla ocurre rápidamente.

LIMPIEZA Y CUIDADO

PARTE EXTERNA

La superficie externa cuenta con revestimiento de metal y plástico. Limpie la parte externa con jabón suave y agua; enjuague y seque con un paño suave. No use ningún tipo de limpiador doméstico o abrasivo.

SUPERFICIE DE ACERO INOXIDABLE

La parte externa debe ser limpiada con frecuencia con un paño húmedo y se debe lustrar con un paño suave seco para mantener su belleza. Hay también una variedad de productos diseñados especialmente para limpiar y dar brillo al acabado exterior en acero del horno. Recomendamos que aplique el limpiador en un paño suave y luego lo pase por la parte externa del horno en lugar de aplicarlo directamente. Siga las instrucciones del paquete cuidadosamente.

PARTE FRONTAL DEL CAJÓN

Limpie cualquier salpicadura o derrame de la ventana por ambos lados con un paño húmedo. Las partes de metal son más fáciles de mantener si se limpian frecuentemente con un paño húmedo. Evite el uso de limpiadores con atomizadores o ásperos, ya que pueden manchar, vetear u opacar la superficie de la puerta.

PANEL DE CONTROL TÁCTIL

Si desea, puede desactivar los botones antes de realizar la limpieza. Vea la información de Bloqueo de control en la página 28 de este manual. Limpie el panel con un paño humedecido ligeramente sólo con agua. Seque con un paño suave. No restriegue ni use ningún tipo de limpiador químico. Cierre la puerta y siga las instrucciones de la página 29 para apagar el Bloqueo de control. Presione el botón Stop/Clear.

PARTE INTERNA

La limpieza es simple debido a que el calor se genera en las superficies internas; por lo tanto, no hay residuos ni derrames quemados. Para limpiar las superficies internas, incluyendo las superficies de sellado del cajón, limpie con un paño suave húmedo. **NO USE LIMPIADORES ABRASIVOS O ÁSPEROS O ESPONJILLAS DE FREGAR.** Para suciedad más difícil de eliminar, use jabón suave; limpie con un paño suave húmedo. No use ningún tipo de limpiador químico para hornos.

GUÍAS DEL Horno DrawerMicro

Retire los restos de alimentos de las guías del Horno DrawerMicro. Limpie con un paño suave seco para eliminar restos que puedan obstaculizar al momento de abrir o cerrar el Horno DrawerMicro.

CUBIERTA DE LA GUÍA DE ONDA

ATENCIÓN: La cubierta de la guía de onda que se encuentra en la parte superior interna del Horno DrawerMicro está hecha de mica por lo que requiere de un cuidado especial. Conserve limpia la cubierta de la guía de onda para asegurar un buen rendimiento del microondas. Limpie cuidadosamente con un paño suave húmedo los restos de comida en la superficie de la cubierta inmediatamente después de que hayan ocurrido las salpicaduras. Las salpicaduras acumuladas pueden provocar sobrecalentamiento y ocasionar humo o posiblemente incendiarse. No retire la cubierta de la guía de onda.

ELIMINACIÓN DE OLORES

Ocasionalmente, el olor de la cocción puede permanecer en el Horno DrawerMicro. Para eliminarlo, mezcle 1 taza de agua, el jugo de un limón y su cáscara rallada y varios clavos enteros en una taza de medida de vidrio con capacidad para dos tazas. Hierva por varios minutos utilizando la potencia al 100%. Deje reposar en el Horno DrawerMicro hasta que se enfríe. Limpie el interior con un paño suave.

ANTES DE SOLICITAR SERVICIO

Revise la siguiente información antes de solicitar servicio. Esto puede ayudarle a ahorrar tiempo y dinero.

PROBLEMA	POSIBLE CAUSA	SOLUCIÓN
1. Un componente o todo el Horno DrawerMicro no funcionan.	<ul style="list-style-type: none">• El cable de alimentación del Horno DrawerMicro no está totalmente conectado al tomacorriente eléctrico.• Corte de energía eléctrica.• La caja de fusibles/el interruptor de circuito no funciona.• El Horno DrawerMicro se encuentra en Modo demostración.	<ul style="list-style-type: none">• Asegúrese de que el cable de alimentación está conectado al tomacorriente.• Verifique que las luces de su hogar funcionen. Solicite servicio a la compañía de electricidad de su localidad.• Reemplace la caja de fusibles o restablezca el interruptor de circuito.• Vea la página 30 para cancelar el Modo demostración.
2. El Horno DrawerMicro no recalienta los alimentos.	<ul style="list-style-type: none">• El electrodoméstico no enciende.• Los controles del Horno DrawerMicro no están correctamente ajustados.• El Horno DrawerMicro se encuentra en Modo demostración.	<ul style="list-style-type: none">• Vea la SOLUCIÓN para el PROBLEMA 1.• Verifique si los controles están correctamente ajustados.• Vea la página 30.
3. La luz del Horno DrawerMicro no funciona.	<ul style="list-style-type: none">• La bombilla no está bien enroscada o está quemada.	<ul style="list-style-type: none">• Solicite servicio.
4. Los controles táctiles no funcionan.	<ul style="list-style-type: none">• El Bloque de control está encendido.	<ul style="list-style-type: none">• Vea la página 29 para desbloquear.

PROBLEMA	POSIBLE CAUSA	SOLUCIÓN
5. La pantalla se enciende y apaga.	<ul style="list-style-type: none"> • Falla en el suministro eléctrico. 	<ul style="list-style-type: none"> • Presione el botón Clear y restablezca el reloj. Si el Horno DrawerMicro está en uso, debe restablecer la función cocción.
6. Las ranuras de ventilación emiten vapor.	<ul style="list-style-type: none"> • Durante la cocción, el vapor debe salir del lado derecho del orificio de ventilación. 	

GARANTÍA DEL HORNO DRAWERMICRO

DOS AÑOS DE GARANTÍA COMPLETA

El Horno DrawerMicro y todas las partes y accesorios del componente, excepto como se detalla a continuación*, están garantizados de no presentar materiales o mano de obra defectuosa en uso doméstico normal por un periodo de dos (2) años a partir de la fecha de compra original al por menor. Viking Range, LLC, garante, se compromete a reparar o reemplazar, a su elección, cualquier parte que falle o se encuentre defectuosa durante el periodo de garantía.

*Los artículos de vidrio (incluyendo las bombillas), pintados y decorativos están garantizados de no presentar materiales o mano de obra defectuosa por un periodo de noventa (90) días a partir de la fecha de compra original al por menor. CUALQUIER DEFECTO DEBE SER INFORMADO AL DISTRIBUIDOR DE VENTA DENTRO DE LOS NOVENTA (90) DÍAS A PARTIR DE LA FECHA DE COMPRA ORIGINAL AL POR MENOR.

GARANTÍA LIMITADA DE CINCO AÑOS

Si el tubo de magnetrón falla debido a materiales o mano de obra defectuosa en uso doméstico normal durante el segundo al quinto año a partir de la fecha de compra original al por menor, será reparado o reemplazado, sin cargo para dicha parte, pagando el propietario todos los demás gastos, incluyendo mano de obra.

Esta garantía se extiende al comprador original del producto que aquí se garantiza y a cada propietario cesionario del producto durante el plazo de la garantía.

Esta garantía se aplicará a los productos comprados y ubicados aquí en los Estados Unidos y Canadá. Los productos deberán ser adquiridos en el país donde se solicite el servicio. La mano de obra de garantía debe ser realizada por una agencia de servicio o representante autorizado de Viking Range, LLC. La garantía no se aplicará a daños que resulten de abuso, accidente, desastres naturales, pérdida de energía eléctrica para el producto por cualquier razón, alteración, uso al aire libre, instalación inadecuada, operación, reparación o servicio inadecuado del producto por alguien ajeno a una agencia de servicio o representante autorizado de Viking Range, LLC. Esta garantía no se aplica para uso comercial. El garante no se responsabiliza por daños resultantes o accidentales si surgen como resultado del incumplimiento de la garantía, incumplimiento del contrato, u otro. Algunas jurisdicciones no aceptan la exclusión o limitación de daños accidentales o resultantes, de modo que la limitación antes mencionada puede no aplicarse a usted.

El propietario debe ser responsable de una adecuada instalación, proporcionando un cuidado y mantenimiento normal, proporcionando el Comprobante de compra cuando se le solicite, y haciendo que el electrodoméstico esté razonablemente accesible para reparación. Si el producto o una de las partes del componente contienen un defecto o falla durante el periodo de garantía, después de un número razonable de intentos por parte del garante para remediar los defectos o fallas, el propietario tiene derecho a un reembolso o reemplazo del producto o de la parte o partes del componente. La responsabilidad del garante en cualquier reclamo de cualquier tipo, con respecto a los productos o servicios que aquí se cubren, no deberá en ningún caso exceder el precio de los productos o servicio de dicha parte que origine el reclamo.

SERVICIO DE GARANTÍA: Bajo los términos de esta garantía, el servicio debe ser realizado por un representante o agente de servicio de Viking Range, LLC autorizado por la fábrica. Se brindará el servicio durante las horas normales de oficina, y la mano de obra realizada en horas extras o tarifas premium no estarán cubiertas por esta garantía. Para obtener el servicio de garantía, comuníquese con el distribuidor al que le compró el producto, un agente de servicio autorizado de Viking Range, LLC, o con Viking Range, LLC. Proporcione el modelo y número de serie y la fecha de compra original. Para conocer el nombre de su agencia de servicio autorizada de Viking Range, LLC más cercana, llame al distribuidor al que le compró el producto o a Viking Range, LLC.

IMPORTANTE: Conserve el comprobante de compra original para establecer el periodo de garantía.

La devolución de la Tarjeta de registro del propietario no es una condición de cobertura de la garantía. Sin embargo, debe devolver la Tarjeta de registro del propietario para que Viking Range, LLC pueda contactarse con usted en caso de surgir alguna pregunta o seguridad que pueda afectarlo.

Cualquier garantía implícita de comerciabilidad y adaptación aplicable a los elementos o partes descritas anteriormente está limitada en duración al periodo de cobertura de las garantías limitadas escritas expresas aplicables establecidas anteriormente. Algunas jurisdicciones no permiten limitaciones sobre cuánto tiempo dura una garantía implícita, de modo que la limitación antes mencionada puede no aplicarse a usted. Esta garantía le otorga derechos legales específicos y también puede tener otros derechos que pueden variar de jurisdicción en jurisdicción.

Viking Range, LLC

111 Front Street

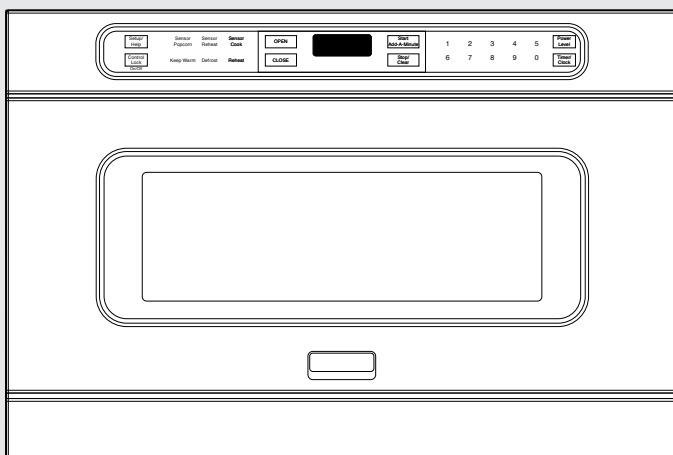
Greenwood, Mississippi (MS) 38930 USA (888) 845-4641

Especificaciones sujetas a cambios sin previo aviso.

Para más información del producto, llame al 1-888-845-4641

o visite el sitio Web en vikingrange.com

Manuel d'utilisation et d'entretien



Four DrawerMicro™
CVMOD241

INFORMATIONS DE DÉPANNAGE

Si du dépannage est requis :

1. Appeler votre une société de dépannage agréée.
2. Préparer les informations suivantes à l'avance :
 - a. Numéro de modèle
 - b. Numéro de série
 - c. Date d'achat
 - d. Nom du revendeur où a eu lieu l'achat
3. Décrire clairement le problème rencontré.

En cas d'impossibilité d'obtention du nom d'une société de dépannage, ou si les ennuis continuent, contacter directement Viking Range, LLC au (888) 845-4641 ou écrire à :

VIKING RANGE, LLC
PREFERRED SERVICE
111 Front Street
Greenwood, Mississippi (MS) 38930 USA

Enregistrer les informations indiquées ci-dessous. Elles seront nécessaires si vous avez besoin d'un dépannage. Les numéros de modèle et de série de votre micro-ondes sont situés sur le côté gauche de sa cavité sur une étiquette signalétique.

Numéro de modèle. _____ Numéro de série _____

Date d'achat. _____ Date d'installation _____

Nom du revendeur _____

Adresse _____

Si le dépannage demande l'installation de pièces, n'utiliser que des pièces autorisées pour conserver la protection de la garantie.

VEUILLEZ CONSERVER CE MANUEL COMME RÉFÉRENCE ULTÉRIEURE

PRÉCAUTIONS POUR ÉVITER LE RISQUE D'UNE EXPOSITION AUX MICRO-ONDES

- (a) Ne pas essayer de faire fonctionner ce four lorsque que la porte est ouverte, car le fonctionnement avec la porte ouverte pourrait entraîner une exposition dangereuse aux micro-ondes. Il est important que le système de fermeture de sûreté ne soit pas désamorcé ou modifié.
- (b) Ne placer aucun objet entre le cadre et la porte du four et ne pas laisser de saleté ou de traces de produits de nettoyage s'accumuler sur les surfaces d'étanchéité.
- (c) Ne pas utiliser le four s'il est endommagé. Il est particulièrement important que la porte ferme correctement et que les éléments suivants ne présentent pas de défauts : (1) porte (gauchie), (2) charnières et verrous (brisés ou desserrés), (3) joints et surfaces d'étanchéité de la porte.
- (d) Le four ne doit être réglé ou réparé que par du personnel d'entretien qualifié.

TABLE DES MATIÈRES

- 2 INFORMATIONS DE DÉPANNAGE**
- 3 PRÉCAUTIONS POUR ÉVITER LE RISQUE D'UNE EXPOSITION AUX MICRO-ONDES**
- 4 TABLE DES MATIÈRES**
- 5-6 IMPORTANTES CONSIGNES DE SÉCURITÉ**
- 7-13 INFORMATIONS INCONTOURNABLES**
 - 7 SUR LE DÉBALLAGE ET L'ÉVALUATION DE VOTRE Four DrawerMicro
 - 8 À PROPOS DE VOTRE Four DrawerMicro
 - 8-9 À PROPOS DE LA CUISSON AU MICRO-ONDES
 - 9-11 À PROPOS DES USTENSILES ET DES COUVERTURES
 - 11 À PROPOS DES ENFANTS ET DU MICRO-ONDES
 - 11-12 À PROPOS DE LA SÉCURITÉ
 - 12-13 PRÉPARATION DE DIVERS ALIMENTS
- 14-15 NOMENCLATURE DES PIÈCES**
 - 14 Four DrawerMicro
 - 15 PAVÉ MENU
- 16-17 AVANT DE FAIRE FONCTIONNER L'APPAREIL**
 - 16 POUR RÉGLER L'HEURE
 - 16 TIMER (MINUTEUR)
 - 17 STOP/CLEAR (ARRÊT/REMISE À ZÉRO)
 - 17 OUVRIR OU FERMER LE Four DrawerMicro
- 18-27 CUISSON AU Four DrawerMicro**
 - 18 CUISSON MINUTÉE
 - 18 RÉGLER L'ALLURE
 - 19 RÉGLAGES À CAPTEUR
 - 20-21 SENSOR POPCORN/SENSOR REHEAT (MAÏS SOUFFLÉ À CAPTEUR/RÉCHAUFFAGE À CAPTEUR)
 - 21-23 SENSOR COOKING (CUISSON À CAPTEUR)
 - 24-25 DEFROST (DÉGIVRAGE)
 - 26 MANUAL DEFROST (DÉGIVRAGE MANUEL)
 - 27 REHEAT (RÉCHAUFFAGE)
- 28 AUTRES CARACTÉRISTIQUES**
 - 28 KEEP WARM (GARDE AU CHAUD)
 - 28 CUISSON À SÉQUENCES MULTIPLES
 - 29 HELP (AIDE)
 - 29 ADD-A-MINUTE
 - 29 RÉGLAGE PLUS DE TEMPS/ MOINS DE TEMPS
 - 30 CONTROL LOCK (VERROUILLAGE DES COMMANDES)
 - 30 SETUP/HELP
- 32-33 NETTOYAGE ET ENTRETIEN**
 - 32 EXTÉRIEUR
 - 32 SURFACE EN ACIER INOXYDABLE
 - 32 FACE AVANT DU TIROIR
 - 32 TABLEAU DE COMMANDES
 - 32 INTÉRIEUR
 - 33 GLISSIÈRE DU Four DrawerMicro
 - 33 COUVERCLE DU GUIDE D'ONDES
 - 33 DÉSODORISATION
- 34-35 AVANT D'APPELER UN TECHNICIEN**
- 36 GARANTIE DU FOUR DRAWERMICRO**

IMPORTANTES CONSIGNES DE SÉCURITÉ

Certaines précautions de sécurité devraient toujours être prises lorsqu'on se sert d'appareils électriques :

AVERTISSEMENT — Pour réduire les risques de brûlures, de chocs électriques, de feu, de blessures ou d'exposition aux micro-ondes :

1. Lisez toutes les instructions avant d'utiliser l'appareil.
2. Lisez et suivez les "PRÉCAUTIONS POUR ÉVITER UNE EXPOSITION ÉVENTUELLE À UNE ÉNERGIE PAR MICRO-ONDES EXCESSIVE " à la page 3.
3. Cet appareil doit être convenablement fondé. Connecter seulement à la sortie convenablement fondé. Voir d'Instruction Fondant à la page 7.
4. Installez ou situez l'appareil seulement selon les modalités décrites dans le Manuel d'installation.
5. Certains produits tels que les œufs entiers et les récipients hermétiquement fermés (par exemple des bocaux en verre) sont aptes à s'exploser et ne devraient pas être utilisés dans le Four DrawerMicro.
6. N'utilisez cet appareil qu'aux fins prévues telles que décrites dans ce Manuel. N'utilisez pas de produits chimiques ou de vapeurs corrosifs dans cet appareil. Ce Four DrawerMicro est spécifiquement conçu pour la cuisson, le réchauffage et le séchage de la nourriture. Il n'est pas conçu pour un usage industriel ou de laboratoire.
7. Comme c'est le cas avec tout appareil électroménager, il faut surveiller les enfants de près quand ils l'utilisent.
8. Ne faites pas fonctionner cet appareil si le cordon ou la fiche en est endommagé, s'il ne marche pas comme il faut, s'il a été endommagé ou s'il est tombé sur terre.
9. Le service de cet appareil ne devrait être effectué que par un technicien qualifié. Contactez votre agence de service agréée Viking Range, LLC pour l'évaluation, la réparation ou le réglage de l'appareil.
10. Ne recouvrez ni ne bouchez aucune ouverture ou sortie d'air de l'appareil.
11. Ne rangez pas cet appareil dehors. N'utilisez pas ce produit auprès de l'eau, par exemple auprès d'un évier de cuisine, dans un sous-sol humide, auprès d'une piscine ou dans un milieu semblable.
12. Ne pas immerger le cordon ou la prise dans l'eau.
13. Gardez le cordon éloigné des surfaces chauffées.
14. Ne montez sur ni ne vous asseyez pas sur le Four DrawerMicro.
15. Ne pas laisser hange de corde sur le bord de table ou opposé.
16. Ne pas monter sur l'évier.
17. Ne pas emmagasiner directement sur la surface d'appareil quand l'appareil est dans l'opération.

18. Assurez-vous d'éloigner les doigts et d'autres objets de l'ouverture du Four DrawerMicro lorsque ce dernier est fermé.
19. Gardez les doigts et les vêtements éloignés des glissières du tiroir en ouvrant et en fermant le Four DrawerMicro. Sinon, vous risquez de les attraper dans les glissières lors de fermer le Four DrawerMicro.
20. Avant de fermer le Four DrawerMicro, assurez-vous que l'aliment et le récipient ne dépassent pas la hauteur du tiroir. Utilisez comme référence la hauteur des parois du Four DrawerMicro.
21. Lors de nettoyer les surfaces d'étanchéité qui entrent en contact sur la fermeture du tiroir, utilisez seulement du savon ou un détergent doux non abrasif et une éponge ou un torchon doux. Consultez les instructions de nettoyage à la page 32.
22. Pour réduire le risque de feu dans la cavité du Four DrawerMicro:
 - a. Faites attention à ne pas trop cuire l'aliment. Surveillez de près l'appareil lorsqu'il y a du papier, du plastique ou d'autres matières combustibles dans le Four DrawerMicro pour faciliter la cuisson.
 - b. Enlevez les ligatures en métal des sacs en papier ou en plastique avant de mettre le sac dans le Four DrawerMicro.
 - c. Si l'objet dans le Four DrawerMicro prend feu, gardez fermée la porte du Four DrawerMicro, mettez hors tension le micro-ondes et coupez le courant à partir du panneau de fusibles ou du boîtier disjoncteurs.
 - d. N'utilisez pas le Four DrawerMicro aux fins de rangement. Ne laissez pas de produits de papier, d'ustensiles ou d'aliments dans le Four DrawerMicro quand vous ne l'utilisez pas.
23. Des liquides tels que l'eau, le café ou le thé sont aptes à se surchauffer au-delà du point d'ébullition sans qu'ils paraissent chauds, à cause de la tension de surface du liquide. En d'autres mots, on ne voit pas toujours des bulles ou d'autres signes d'ébullition lors de retirer le récipient du Four DrawerMicro. **IL SE PEUT QUE LE LIQUIDE TRÈS CHAUD DÉBORDE SOUDAINEMENT LE RÉCIPIENT LORSQUE ON Y INSÈRE UNE CUILLER OU UN AUTRE USTENSILE.**

Pour réduire le risque de blessures personnelles:

 - a. Ne surchauffez pas le liquide.
 - b. Remuez le liquide avant la cuisson et à mi-cuisson.
 - c. N'utilisez pas de récipients droits à col mince. Utilisez un récipient à col large.
 - d. Après la cuisson ou le réchauffage, laissez reposer le récipient dans le Four DrawerMicro pour au moins 20 secondes avant de le retirer du tiroir.
 - e. Faites très attention lors d'insérer une cuiller ou un autre ustensile dans le récipient.
24. Si la lampe du Four DrawerMicro ne marche pas, contactez un AGENT DE SERVICE AGRÉÉ.

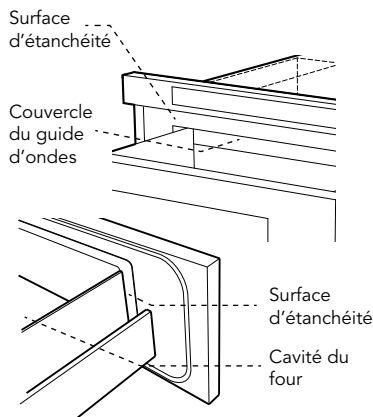
CONSERVER CE MODE D'EMPLOI

INFORMATIONS INCONTORNABLES

SUR LE DÉBALLAGE ET L'ÉVALUATION DE VOTRE

Four DrawerMicro

1. Retirez tout le matériau d'emballage qui se trouve dans le Four DrawerMicro. **N'ENLEVEZ PAS LE COUVERCLE DU GUIDE D'ONDES**, qui se trouve sur le dessus du Four DrawerMicro.
2. Enlevez l'autocollant descriptif, s'il y en a un. Vérifiez le tiroir pour des dommages éventuels, tels un mauvais alignement ou un tiroir tordu, des surfaces d'étanchéité endommagées sur le tiroir et sur les surfaces, des glissières cassées ou lâches et des enfoncements dans la cavité ou sur la face avant du tiroir. En cas de dommages, n'utilisez pas le Four DrawerMicro : contactez votre AGENT DE SERVICE AGRÉÉ.



INSTRUCTIONS DE MISE À LA TERRE ÉLECTRIQUES

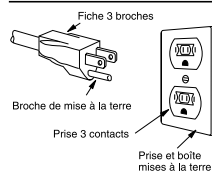
Cet appareil doit être mis à la terre. Ce four est équipé d'un cordon d'alimentation avec fil de mise à la terre, et d'une fiche de mise à la terre. Il faut le brancher dans une prise murale correctement installée et mise à la terre selon le Code national de l'électricité et les codes et décrets locaux. En cas de court-circuit électrique, la mise à la terre réduit les risques de choc électrique en permettant au courant de s'échapper par le fil de mise à la terre.

AVERTISSEMENT - Un mauvais usage de la prise de terre peut causer des chocs électriques.

Installation électrique

Le four est équipé d'une fiche de terre à trois broches. **IL NE FAUT EN AUCUN CAS ENLEVER LA BROCHE DE MISE À LA TERRE DE LA FICHE. N'UTILISE PAS UNE RALLONGE.** Si le cordon d'alimentation est trop court, demander à un électricien ou un réparateur qualifié de poser une prise près de l'appareil.

Branchement permanent et correct



Il faut connecter le cordon d'alimentation et la fiche sur un circuit séparé de 120 volts CA, 60 Hz, 15 A ou plus, avec prise murale simple avec terre. La prise doit être située dans l'armoire directement au-dessus de l'emplacement de montage du four à micro-ondes à hotte intégrée. Comme illustré.

Notas:

1. Pour toute question à propos de l'installation électrique ou de la mise à la terre, consulter un électricien de métier ou un réparateur qualifié.
2. Ni Viking Range, LLC ni le détaillant ne peuvent être tenus responsables des dommages au four ou des blessures causés par une installation qui ne respecte pas les normes.

PARASITES À LA RADIO OU À LA TV

Si le Four DrawerMicro provoque des parasites à votre radio ou à votre téléviseur, vérifiez que le Four DrawerMicro est branché sur un circuit électrique différent et éloignez la radio ou le téléviseur autant que possible du tiroir, ou bien vérifiez le positionnement et le signal de l'antenne réceptrice.

À PROPOS DE VOTRE Four DrawerMicro

Il faut TOUJOURS avoir un aliment dans le Four DrawerMicro lorsqu'il fonctionne, pour absorber l'énergie par micro-ondes.

Il ne faut pas bloquer la sortie d'air sur le dessous du Four DrawerMicro. Lorsque le micro-ondes fonctionne, il se peut que de la vapeur échappe du côté droit de cette sortie d'air.

Lors d'utiliser le Four DrawerMicro à des allures en dessous de 100%, il se peut que vous entendiez le fonctionnement cyclique du magnétron. Il est normal que l'extérieur du Four DrawerMicro soit chaud au toucher pendant la cuisson ou le réchauffage.

La condensation est normale pendant la cuisson au micro-ondes. L'humidité ambiante et la teneur en humidité de l'aliment influenceront sur le niveau de condensation dans le Four DrawerMicro. En règle générale, les aliments recouverts produiront moins de condensation que des aliments non recouverts.

Le Four DrawerMicro est seulement pour préparer des aliments. Il ne faut pas l'utiliser pour sécher des vêtements ou des journaux.

Votre Four DrawerMicro a une puissance nominale de 950 watts selon la procédure d'épreuve IEC. Quand vous suivez des recettes ou des modes d'emploi sur l'emballage de l'aliment, vérifiez l'aliment une minute ou deux avant l'échéance du temps de cuisson minimum, puis ajoutez du temps au besoin.

Si l'on ouvre ou ferme rapidement le Four DrawerMicro, il se peut que l'aliment soit déversé ou renversé. Pour nettoyer, consultez la section d'entretien et de nettoyage à la page 33.

À PROPOS DE LA CUISSON AU MICRO-ONDES

- Disposez soigneusement l'aliment à cuire. Les parties les plus épaisses devraient faire face au pourtour du plat de cuisson.
- Faites très attention au temps de cuisson. Prévoyez le plus court temps

de cuisson indiqué puis ajoutez plus de temps au besoin. Des aliments trop cuits risquent de prendre feu.

- Recouvrez les aliments pendant la cuisson. Consultez la recette ou un livre de cuisine pour des astuces: des serviettes en papier, du papier cire, du film plastique allant au micro-ondes ou bien un couvercle. De telles couvertures évitent les éclaboussures et assurent une cuisson uniforme.
- Recouvrez de petits morceaux de feuille d'aluminium toute partie mince de viande ou de volaille pour prévenir une cuisson excessive avant que la cuisson des parties plus grosses ne s'achève.
- Remuez l'aliment du pourtour vers le centre du plat, une ou deux fois pendant la cuisson, si possible.
- Pour une cuisson plus rapide d'aliments tels que le poulet ou les galettes de bœuf, retournez les morceaux une fois pendant la cuisson. Des aliments volumineux, tels les rôtis, doivent être retournés au moins une fois pendant la cuisson.
- Réarrangez des aliments comme des boules de viande à mi-cuisson : de fond en comble et de droite à gauche.
- Prévoyez un temps de repos. Retirez l'aliment du Four DrawerMicro et remuez-le, si possible. Laissez reposer l'aliment à couvert pour permettre l'achèvement de la cuisson et pour prévenir une cuisson excessive.
- Vérifiez la bonne cuisson. Cherchez des signes qui indiquent que la bonne température de cuisson a été atteinte.

Des signes d'une bonne cuisson incluent:

- De la vapeur échappe sur tout l'aliment, pas seulement aux bords.
- Le milieu du fond du plat est très chaud au toucher.
- Les articulations de cuisse de la volaille se déplacent librement.
- Il n'y a pas de traces de rose dans la viande ou dans la volaille.
- Le poisson est opaque et s'émiette facilement sous une fourchette.

À PROPOS DES USTENSILES ET DES COUVERTURES

Il n'est pas nécessaire de se procurer toute une batterie de cuisine. En effet, vous pouvez facilement utiliser au Four DrawerMicro des ustensiles qui se trouvent déjà dans votre batterie de cuisine actuelle. Assurez-vous que l'ustensile ne touche pas les parois du tiroir pendant la cuisson.

Utilisez les ustensiles suivants pour la cuisson et le réchauffage au micro-ondes:

- vitrocéramique (Pyroceram®), tel que Corningware®.
- verre résistant à la chaleur (Pyrex®)
- plastiques allant au micro-ondes
- assiettes en papier allant au micro-ondes

- poterie, grès et porcelaine allant au micro-ondes
- plat brunisseur (ne dépassez pas le temps de préchauffage recommandé. Suivez les instructions du fabricant.)

Pour réchauffer des aliments pauvres en gras et en sucre, on peut utiliser pour un court temps les articles suivants:

- bois, paille, osier

N'UTILISEZ PAS

- des plats ou des moules en métal
- des plats ayant une décoration en métal
- du verre qui n'est pas résistant à la chaleur
- des récipients en plastique qui ne vont pas au micro-ondes (pots à margarine)
- des produits de papier recyclé
- des sacs en papier
- des sacs d'entreposage des aliments
- des ligatures en métal

Si vous voulez vérifier si un plat va au micro-ondes, mettez le plat vide dans le four à micro-ondes et faites fonctionner le four sur puissance élevée pour 30 secondes. Un plat qui devient très chaud ne devrait pas être utilisé au micro-ondes.

Les articles suivants sont excellents pour recouvrir les aliments au micro-ondes:

- Les serviettes en papier sont idéales pour recouvrir les aliments pendant le réchauffage et pour absorber le gras quand on prépare du bacon.
- Le papier cire sert à la cuisson et au réchauffage.
- Le film plastique dont l'emballage indique qu'il va au micro-ondes peut être utilisé pour la cuisson et le réchauffage. **NE PERMETTEZ PAS** au film plastique d'entrer en contact avec l'aliment. Faites des fentes pour laisser échapper la vapeur.
- Des couvercles allant au micro-ondes sont un bon choix car ils gardent la chaleur auprès de l'aliment et en accélèrent la cuisson.
- Les sacs de cuisson sont très bons pour de gros morceaux de viande qui doivent être attendries. **N'UTILISEZ PAS** de ligatures en métal. Rappelez qu'il faut faire des fentes dans le sac pour laisser échapper la vapeur.

L'utilisation de la feuille d'aluminium dans le Four DrawerMicro:

- On peut utiliser de petits morceaux non froissés de feuille d'aluminium, mis à plat sur l'aliment, pour protéger des parties qui se décongèlent ou se chauffent trop rapidement.

- La feuille d'aluminium doit être éloignée d'au moins un pouce de toute surface du Four DrawerMicro.

ACCESSOIRES Il y a beaucoup d'accessoires pour micro-ondes en vente dans le commerce. Réfléchissez bien avant d'en acheter afin de vous procurer les meilleurs accessoires pour répondre à vos besoins. Un thermomètre allant au micro-ondes vous aidera à déterminer l'état de cuisson des aliments et à vous assurer que la bonne température est atteinte. Viking Range, LLC décline toute responsabilité des dommages éventuels au Four DrawerMicro lors de l'utilisation de tels accessoires.

À PROPOS DES ENFANTS ET DU MICRO-ONDES

Les enfants de moins de 7 ans devraient utiliser le Four DrawerMicro seulement en présence d'un adulte responsable. Pour les enfants d'entre 7 et 12 ans, il faut y avoir un adulte responsable dans la même pièce. Pour le faire fonctionner, l'enfant devrait être capable d'atteindre le Four DrawerMicro sans problème.

En aucun temps on ne devrait permettre aux gens de s'appuyer sur ou de balancer sur le Four DrawerMicro.

Il faut enseigner aux enfants toutes les précautions de sécurité: utiliser des poignées, retirer soigneusement les couvercles ou les couvertures, faire très attention aux emballages qui rendent croustillant l'aliment, car ils peuvent devenir très chauds.

Ne vous imaginez pas que, puisque l'enfant a maîtrisé un aspect de la cuisson, il ou elle peut tout faire dans la cuisine.

Les enfants doivent apprendre que le Four DrawerMicro n'est pas un jouet. Consultez la page 30 pour en savoir plus sur la fonction de verrouillage des commandes.

À PROPOS DE LA SÉCURITÉ

- Vérifiez les aliments pour vous assurer qu'ils ont atteint la température recommandée par Santé Canada.

TEMP	ALIMENT
160°F (71°C)	Pour le porc non congelé, la viande hachée, la viande blanche de la volaille (sans os), le poisson, les fruits de mer, les plats aux œufs et les mets surgelés prêts à manger.
165°F (74°C)	Pour des restes de repas, des mets réfrigérés prêts à réchauffer, de la charcuterie et des mets "frais" à emporter.

TEMP	ALIMENT
170°F (77°C)	Pour la viande blanche de la volaille.
180°F (82°C)	Pour la viande noire de la volaille.

Pour vérifier si un aliment est bien cuit, insérez un thermomètre à viande dans une partie grosse ou dense, éloignée du gras et des os. Il ne faut JAMAIS laisser le thermomètre dans l'aliment pendant la cuisson, sauf s'il est approuvé pour une utilisation au micro-ondes.

- Utilisez TOUJOURS des poignées pour éviter de vous faire brûler lors de manipuler les ustensiles qui entrent en contact avec des aliments chauds. Assez de chaleur de l'aliment peut passer par les ustensiles pour causer des brûlures de la peau.
- Évitez de vous faire brûler par de la vapeur en éloignant le visage et les mains de l'échappement de la vapeur. Soulevez lentement la partie la plus éloignée du couvercle ou de la couverture et ouvrez soigneusement les sacs de maïs soufflé et les sacs de cuisson en les tenant éloignés du visage.
- Surveillez le Four DrawerMicro pendant qu'il fonctionne et vérifiez fréquemment le progrès de la cuisson pour éviter de trop cuire l'aliment.
- N'utilisez JAMAIS le Four DrawerMicro pour ranger des livres de cuisine ou d'autres articles.
- Sélectionnez, rangez et manipulez prudemment les aliments afin d'en conserver la qualité et de réduire la propagation de maladies d'origine alimentaire.
- Gardez propre le couvercle du guide d'ondes. Les résidus alimentaires peuvent provoquer des décharges disruptives et/ou des incendies.

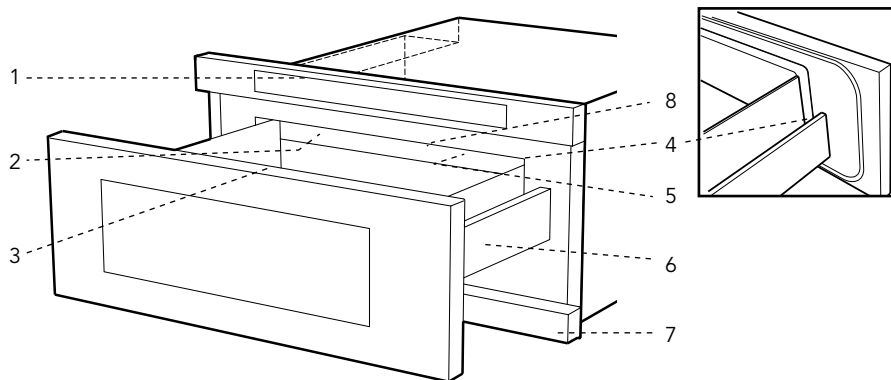
PRÉPARATION DE DIVERS ALIMENTS

ALIMENT	À FAIRE	À NE PAS FAIRE
Œufs, saucisses, fruits & légumes	<ul style="list-style-type: none"> • Percez les jaunes d'œuf avant la cuisson pour éviter des "explosions". • Percez la peau des pommes de terre, des pommes, des courges, des chiens chauds et des saucisses pour permettre à la vapeur d'échapper. 	<ul style="list-style-type: none"> • Faire cuire les œufs en coque. • Réchauffer des œufs entiers. • Sécher des noix ou des graines en coquille.

ALIMENT	À FAIRE	À NE PAS FAIRE
Maïs soufflé	<ul style="list-style-type: none"> • Utilisez des sacs de maïs soufflé spécialement faits pour micro-ondes. • Écoutez pendant la cuisson du maïs soufflé : quand les éclatements sont espacés de 1 ou 2 secondes, le maïs soufflé est prêt. Ou bien, utilisez la touche spéciale Maïs soufflé à capteur. 	<ul style="list-style-type: none"> • Mettre du maïs soufflé en des sacs en papier ordinaires ou en des bols en verre. • Dépassez le temps maximum de cuisson indiqué sur l'emballage.
Nourriture pour bébé	<ul style="list-style-type: none"> • Transférez la nourriture pour bébé dans un petit bol et réchauffez-la soigneusement en le remuant souvent. Vérifiez la température avant de servir à bébé. • Remettez les biberons sur les bouteilles après le réchauffage et secouez bien. Faites le 'test du poignet' avant de donner à bébé. 	<ul style="list-style-type: none"> • Réchauffer des bouteilles jetables. • Réchauffer des bouteilles avec le biberon. • Réchauffer la nourriture pour bébé dans le bocal original.
Général	<ul style="list-style-type: none"> • Découpez en morceaux les pâtisseries garnies après la cuisson pour laisser échapper la vapeur et pour éviter les brûlures. • Remuez énergiquement les liquides avant et après la cuisson pour éviter des "éruptions". • Utilisez un bol profond lors de faire cuire des liquides et des céréales pour éviter des déversements. • L'aliment ne devrait pas dépasser la hauteur du Four DrawerMicro. Utilisez la hauteur des parois du tiroir comme référence. 	<ul style="list-style-type: none"> • Réchauffer ou faire cuire des aliments en des bocaux fermés ou en des récipients hermétiques. • Faire des conserves au micro-ondes, car il se peut que les bactéries ne soient pas détruites. • Faire la grande friture. • Sécher du bois, des courges, des herbes ou des papiers humides.

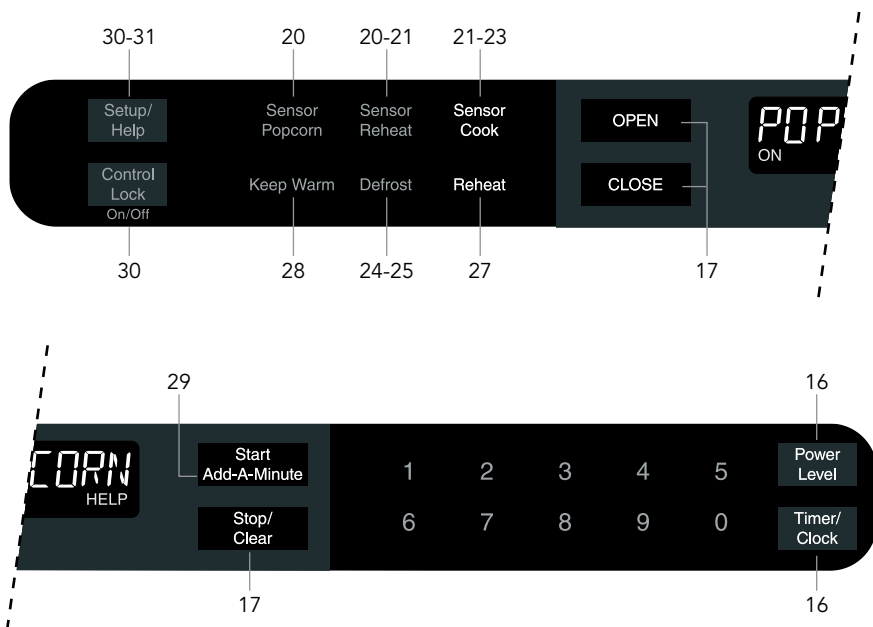
NOMENCLATURE DES PIÈCES

Four DrawerMicro



1. Tableau de commandes
2. Couvercle du guide d'ondes **NE PAS ENLEVER**
3. Pavé Menu du Four DrawerMicro
4. Surfaces d'étanchéité du tiroir
5. Lampe du tiroir
6. Glissières du Four DrawerMicro
7. Sortie d'air
8. Plaque signalétique : ouvrir complètement le Four DrawerMicro. L'étiquette se trouve juste derrière la paroi arrière de la cavité de l'appareil, face imprimée perpendiculaire à la surface plane.

PAVÉ MENU



Les numéros à côté de l'illustration du pavé de touches indiquent les pages sur lesquelles vous trouverez des descriptions et des informations sur l'utilisation.

AVANT DE FAIRE FONCTIONNER L'APPAREIL

Avant de faire fonctionner votre nouveau Four DrawerMicro, assurez-vous de lire et de comprendre à fond ce manuel d'utilisateur.

- Avant la première utilisation du Four DrawerMicro, procédez comme suit:

1. Branchez le Four DrawerMicro. **ENJOY** **YOUR** **MICRO-** **WAVE** **TOUCH** **CLEAR** **AND** **TOUCH** **CLOCK** s'affiche.
2. Appuyez sur la touche Stop/Clear. **:** s'affiche.
3. Réglez l'heure.

POUR RÉGLER L'HEURE

1. Appuyez sur la touche Timer/Clock et sur la touche numéro **2**.
2. Appuyez sur les touches numériques pour entrer l'heure juste puis appuyez de nouveau sur la touche Timer/Clock.

Cette horloge utilise un système de 12 heures. Si vous essayez d'entrer une heure invalide, **ERROR** s'affiche. Appuyez sur la touche Stop/Clear et réglez de nouveau l'heure juste.

- En cas de panne de courant au Four DrawerMicro, **ENJOY** **YOUR** **MICRO-** **WAVE** **TOUCH** **CLEAR** **AND** **TOUCH** **CLOCK** s'affichera par intermittence après que le courant sera rétabli. Si cela arrive pendant la cuisson, le programme de cuisson sera effacé. L'heure sera également effacée. Appuyez sur la touche Stop/Clear et réglez de nouveau l'heure juste.

Remarque:

- Il est possible de programmer le Four DrawerMicro avec le tiroir ouvert, excepté la commande Start/Add-A-Minute.

TIMER (MINUTEUR)

1. Appuyez sur la touche Timer/Clock et sur la touche numéro **1**.
 2. Entrez le temps voulu.
 3. Appuyez de nouveau sur la touche Timer/Clock.
- Pour annuler le minuteur, appuyez sur Stop/Clear.

STOP/CLEAR (ARRÊT/REMISE À ZÉRO)

Appuyez sur la touche Stop/Clear pour:

1. Effacer un programme en cas d'erreur.
2. Annuler le minuteur.
3. Arrêter temporairement le fonctionnement du tiroir au micro-ondes pendant la cuisson minutée.
4. Afficher l'heure.
5. Annuler un programme pendant la cuisson; appuyez deux fois pour la cuisson minutée.

OUVRIR OU FERMER LE Four DrawerMicro

Il faut toujours appuyer sur les touches OPEN ou CLOSE sur le tableau de commandes pour ouvrir ou fermer le Four DrawerMicro.

Ne poussez ni ne tirez manuellement le Four DrawerMicro, sauf en cas d'urgence, tel une panne de courant. S'il s'avère nécessaire, poussez ou tirez lentement.

CUISSON AU Four DrawerMicro

CUISSON MINUTÉE

On peut programmer le Four DrawerMicro pour 99 minutes 99 secondes (99.99). Entrez toujours les secondes après les minutes, même s'il s'agit de deux zéros.

- Supposons que vous vouliez faire une cuisson de 5 minutes à 100%.
 1. Entrez le temps de cuisson **5|0|0**.
 2. Pour une cuisson à 100% (puissance élevée), appuyez sur la touche Start/Add-A-Minute.

RÉGLER L'ALLURE

Il y a 11 allures pré-réglées.

Les allures plus basses exigent un plus long temps de cuisson, recommandé pour des aliments tels que le fromage, le lait et des rôtis qui exigent une longue cuisson lente. Consultez un livre de cuisine ou des recettes pour des recommandations spécifiques.

- Supposons que vous vouliez faire un dégivrage de 5 minutes à 30%.
 1. Entrez le temps de dégivrage **5|0|0**.
 2. Appuyez 8 fois sur la touche Power Level.
 3. Appuyez sur la touche Start/Add-A-Minute.

APPUYER SUR LA TOUCHE POWER LEVEL	POURCENTAGE APPROXIMATIF DE LA PUISSANCE	AUX INDICATIONS DES NIVEAUX DE PUISSANCE
Power Level x 1	100%	Puissance élevée
Power Level x 2	90%	
Power Level x 3	80%	
Power Level x 4	70%	Puissance mi-élevée
Power Level x 5	60%	
Power Level x 6	50%	Puissance moyenne
Power Level x 7	40%	
Power Level x 8	30%	Puissance mi-basse/Dégivrage
Power Level x 9	20%	
Power Level x 10	10%	Puissance basse
Power Level x 11	0%	

RÉGLAGES À CAPTEUR

Le Capteur est un dispositif à semi-conducteur qui détecte la vapeur (l'humidité) émise par l'aliment pendant la cuisson. Le capteur règle le temps et l'allure de cuisson en fonction de l'aliment et de la quantité.

Utilisation Des Réglages À Capteur :

1. Après avoir branché le Four DrawerMicro, attendez 2 minutes avant d'utiliser un des réglages à capteur.
2. Assurez-vous que l'extérieur de l'ustensile de cuisson et l'intérieur du Four DrawerMicro sont secs. Essuyez les traces d'humidité avec un torchon sec ou une serviette en papier.
3. Le capteur marche avec des aliments à leur température d'entreposage normale. Par exemple, le maïs soufflé serait à température ambiante.
4. On peut combiner les réglages à capteur avec les réglages plus de temps/ moins de temps. Consultez la page 29.
5. Pour des quantités en dessous ou en dessus de celles indiquées dans le tableau, suivez les indications d'un livre de cuisine à micro-ondes.
6. Pendant la première étape de la cuisson à capteur, le nom de l'aliment s'affichera. N'ouvrez le Four DrawerMicro ni n'appuyez sur Stop/Clear pendant cette étape du cycle. Sinon, le processus de mesure de vapeur sera interrompu. Si cela se passe, un message d'erreur s'affichera. Pour continuer la cuisson, appuyez sur la touche Stop/Clear et poursuivez la cuisson manuellement.

Lorsque le capteur aura détecté la vapeur émise par l'aliment, le temps de cuisson/de réchauffage qui reste s'affichera. Il est permis de ouvrir le Four DrawerMicro pendant que ce temps restant s'affiche. Pendant ce temps, on peut remuer ou assaisonner l'aliment si l'on désire.

7. Si le capteur ne détecte pas de vapeur lors de préparer du maïs soufflé, le four arrêtera de fonctionner et affichera l'heure. Si le capteur n'arrive pas à détecter la vapeur pendant la cuisson d'autres aliments, **ERROR** s'affichera et le four arrêtera de fonctionner.
8. Vérifiez la température de l'aliment après cuisson. S'il faut toujours du temps supplémentaire, poursuivez la cuisson manuellement.
9. Chaque aliment s'accompagne d'une astuce. Appuyez sur la touche Setup/Help lorsque le témoin HELP est allumé à l'affichage.

Couvrir Les Aliments :

Pour certains aliments, la cuisson marche mieux si l'on les recouvre. Utilisez l'article de couverture recommandé dans les tableaux. Vous pouvez accéder aux astuces en appuyant sur la touche Setup/Help. Consultez la page 26.

1. Couvercle de casserole.
2. Film plastique: utilisez du film plastique recommandé pour utilisation au

micro-ondes. Recouvrez le plat de cuisson de manière pas trop serrée et laissez environ ½ pouce découvert pour permettre à la vapeur d'échapper. Le film plastique ne devrait pas entrer en contact avec l'aliment.

3. Papier cire: recouvrez le plat complètement; pliez l'excédent de papier sous le plat pour le tenir en place. Si le plat est plus large que le papier et qu'il faille utiliser deux morceaux de papier, prévoyez un recouvrement d'au moins un pouce des deux morceaux de papier utilisés.

Faites attention en enlevant les couvercles et les couvertures : faites en sorte que la vapeur s'échappe au bout le plus éloigné de votre corps.

SENSOR POPCORN/SENSOR REHEAT (MAÏS SOUFFLÉ À CAPTEUR/ RÉCHAUFFAGE À CAPTEUR)

Il est possible de réchauffer des aliments et de préparer du maïs soufflé sans avoir à calculer le temps ou l'allure de cuisson.

Appuyez sur la touche Sensor Reheat ou Sensor Popcorn et sur la touche Start/Add-A-Minute.

Une fois que le capteur aura détecté la vapeur émise par l'aliment, le temps restant de cuisson ou de réchauffage s'affichera.

Remarque:

- Le réglage de Maïs soufflé à capteur offre 2 choix. Suivez les indications dans l'affichage pour sélectionner la bonne option.

TABLEAU SENSOR POPCORN/SENSOR REHEAT

ALIMENT	QUANTITÉ	DÉMARCHE À SUIVRE
Maïs soufflé à capteur	Seulement un paquet à la fois	N'utilisez que du maïs à éclater spécifiquement emballé pour la cuisson au micro-ondes. Essayez plusieurs marques pour décider laquelle vous préférez. N'essayez pas de faire éclater les grains qui refusent d'éclater.
	2,85 - 3,5 oz. (nature/nature léger)	Appuyez une fois sur la touche Sensor Popcorn.
	1.2 - 1.75 oz. (Mini/Snack)	Appuyez deux fois sur la touche Sensor Popcorn.

TABLEAU SENSOR POPCORN/SENSOR REHEAT (suite)

ALIMENT	QUANTITÉ	DÉMARCHE À SUIVRE
Réchauffage à capteur	4 - 36 oz.	Mettez l'aliment dans un plat ou dans une casserole un peu plus grand que l'aliment à réchauffer. Aplatissez l'aliment si possible. Recouvrez d'un couvercle, de film plastique ou de papier cire. Utilisez un couvercle ou du film plastique avec des quantités plus importantes d'aliments denses tels que les ragoûts. Après le réchauffage, remuez bien, si possible. Remettez le couvercle ou le film plastique et laissez reposer, à couvert, pour 2 à 3 minutes. L'aliment doit être très chaud. Sinon, continuez le réchauffage avec une allure variable.

SENSOR COOKING (CUISSON À CAPTEUR)

1. Appuyez une fois sur la touche Sensor Cook.
2. Consultez le pavé Menu. Sélectionnez l'aliment désiré en appuyant sur la touche numérique. Ex: appuyez sur **[5]** pour des pommes de terre cuites au four.
3. Appuyez sur la touche Start/Add-A-Minute.

Remarque:

- Pour faire cuire ou pour réchauffer des quantités en dessous ou en dessus de celles indiquées sur le TABLEAU SENSOR COOK, faites la cuisson manuellement.

TABLEAU SENSOR COOK

ALIMENT	QUANTITÉ	DÉMARCHE À SUIVRE
1. Légumes frais:		Rincez et mettez dans un plat de cuisson. N'ajoutez pas d'eau si vous venez de rincer les légumes.
mous	0,25 - 2,0 lb.	
Brocoli	0,25 - 2,0 lb.	
Choux de Bruxelles	0,25 - 2,0 lb.	Recouvrez d'un couvercle pour des légumes tendres. Utilisez du film
Chou		plastique pour des légumes tendres/croustillants. Après la cuisson,
Chou-fleur :	0,25 - 2,0 lb.	remuez, si possible. Laissez reposer,
fleurettes	1 med.	à couvert, pour 2 à 5 minutes.
entier	0,25 - 1,0 lb.	
Épinards	0,25 - 2,0 lb.	
Courgette	2 - 4 moy.	
Pommes cuites au four		

TABLEAU SENSOR COOK (suite)

ALIMENT	QUANTITÉ	DÉMARCHE À SUIVRE
2. Légumes: durs Carottes, rondelles Maïs en épis Haricots verts Courge d'hiver: moitiés en dés coupées en moitié	0,25 - 1,5 lb. 2 - 4 0,25 - 1,5 lb. 0,25 - 1,5 lb. 1 - 2	Mettez dans un plat de cuisson. Ajoutez 1-4 cuillerées de table d'eau. Recouvrez d'un couvercle pour des légumes tendres. Utilisez du film plastique pour des légumes tendres/croustillants. Après la cuisson, remuez, si possible. Laissez reposer, à couvert, pour 2 à 5 minutes.
3. Légumes surgelés	0,25 - 1,25 lb.	N'ajoutez pas d'eau. Recouvrez d'un couvercle ou de film plastique. Après la cuisson, remuez et laissez reposer, à couvert, pour 3 minutes.
4. Repas surgelés	6 - 17 oz.	Utilisez cette touche pour des repas surgelés prêts à manger. Vous aurez des résultats satisfaisants avec la plupart des marques. Vous pourrez en essayer plusieurs et choisir votre favorite. Enlevez l'emballage extérieur et suivez le mode d'emploi sur le paquet pour recouvrir l'aliment. Après la cuisson, laissez reposer, à couvert, pour 1-3 minutes.
5. Pommes de terre cuites au four	1 - 6 moy.	Percez. Mettez dans le Four DrawerMicro, sur des serviettes en papier. Après la cuisson, enlevez-les du micro-ondes, enrobez-les de feuille d'aluminium et laissez-les reposer 5 à 10 minutes.

TABLEAU SENSOR COOK (suite)

ALIMENT	QUANTITÉ	DÉMARCHE À SUIVRE															
6. Viande hachée	0,25 - 2,0 lb.	Utilisez ce réglage pour la cuisson de bœuf ou de dinde haché en galettes ou dans un plat pour ajouter à d'autres ingrédients. Mettez les galettes sur une grille allant au micro-ondes et recouvrez-les de papier cire. Mettez la viande hachée dans un plat de cuisson et recouvrez-la de papier cire ou de film plastique. Quand le four à micro-ondes arrête de fonctionner, retournez les galettes ou remuez la viande dans le plat pour émietter les gros morceaux. Recouvrez de nouveau et appuyez sur Start/Add-A-Minute. Après la cuisson, laissez reposer, à couvert, 2 à 3 minutes.															
7. Poisson/fruits de mer	0,25 - 2,0 lb.	Disposez en un cercle sur un plat en verre peu profond (roulez les filets de sorte que le bout soit en dessous). Recouvrez de film plastique fendu. Après la cuisson, laissez reposer, à couvert, pour 3 minutes.															
8. Riz	0,5 - 2,0 tasses	<p>Mettez le riz en un plat profond et ajoutez le double de quantité d'eau. Recouvrez d'un couvercle ou de film plastique. Après la cuisson, remuez, recouvrez et laissez reposer 3 à 5 minutes ou jusqu'à ce que tout le liquide soit absorbé.</p> <table border="1"> <thead> <tr> <th>Riz</th> <th>Eau</th> <th>Capacité du plat</th> </tr> </thead> <tbody> <tr> <td>0,5 tasse</td> <td>1 tasse</td> <td>1,5 litres</td> </tr> <tr> <td>1 tasse</td> <td>2 tasses</td> <td>2 litres</td> </tr> <tr> <td>1,5 tasses</td> <td>3 tasses</td> <td>2,5 ou 3 litres</td> </tr> <tr> <td>2 tasses</td> <td>4 tasses</td> <td>3 litres ou plus</td> </tr> </tbody> </table>	Riz	Eau	Capacité du plat	0,5 tasse	1 tasse	1,5 litres	1 tasse	2 tasses	2 litres	1,5 tasses	3 tasses	2,5 ou 3 litres	2 tasses	4 tasses	3 litres ou plus
Riz	Eau	Capacité du plat															
0,5 tasse	1 tasse	1,5 litres															
1 tasse	2 tasses	2 litres															
1,5 tasses	3 tasses	2,5 ou 3 litres															
2 tasses	4 tasses	3 litres ou plus															

DEFROST (DÉGIVRAGE)

Utilisez cette fonction pour décongeler les aliments indiqués dans le TABLEAU DEFROST à la page 25.

1. Appuyez sur la touche Defrost.
2. Consultez le pavé Menu. Sélectionnez l'aliment voulu via les touches numériques. Ex: Appuyez sur **2** pour biftecks/côtelettes.
3. Entrez le poids via les touches numériques.
4. Appuyez sur la touche Start/Add-A-Minute.

Le four s'arrêtera de sorte que vous puissiez vérifier l'état de cuisson.

5. Après la première étape, ouvrez le Four DrawerMicro. Retournez le bifteck et recouvrez des parties chaudes. Fermez le Four DrawerMicro. Appuyez sur la touche Start/Add-A-Minute.
6. Après la première étape, ouvrez le Four DrawerMicro. Recouvrez des parties chaudes. Fermez le Four DrawerMicro. Appuyez sur la touche Start/Add-A-Minute.
7. À la fin du cycle de dégivrage, recouvrez l'aliment et laissez-le reposer tel qu'indiqué dans le tableau à la page 25.

Remarque:

- On peut combiner le cycle de dégivrage avec le réglage Plus de temps/ moins de temps. Consultez la page 29.
- Pour décongeler d'autres aliments, ou des quantités en dessous ou en dessus de celles indiquées dans le TABLEAU DEFROST, consultez DÉGIVRAGE MANUEL à la page 26.
- Vérifiez l'état de cuisson lorsque le four émet son signal sonore. Après l'étape finale, il se peut que de petites sections de l'aliment soient toujours glacées. Laissez reposer l'aliment pour poursuivre le dégivrage. N'essayez pas d'effectuer un dégivrage qu'après que tous les cristaux de glace se fondent.
- Le fait de recouvrir des parties de l'aliment empêche que la cuisson commence avant que le milieu de l'aliment ne soit décongelé. Utilisez de petites bandes de feuille d'aluminium pour recouvrir les bords et les parties plus minces de l'aliment.

TABLEAU DEFROST

ALIMENT	QUANTITÉ	DÉMARCHE À SUIVRE
1. Viande hachée	0,5 - 2,0 lb	Retirez les morceaux décongelés après chaque signal sonore. Laissez reposer, à couvert, pour 5 à 10 minutes.
2. Biftecks/ côtelettes	0,5 - 3,0 lb	Après chaque signal sonore, réarrangez les morceaux et, s'il y a des morceaux chauds ou décongelés, recouvrez-les de petits morceaux plats de feuille d'aluminium. Retirez de la viande ou du poisson qui est presque décongelé. Laissez reposer, à couvert, pour 10 à 20 minutes.
3. Volaille sans os	0,5 - 2,0 lb	Après chaque signal sonore, s'il y a des parties chaudes ou décongelées, réarrangez ou retirez-les. Laissez reposer, à couvert, pour 10 à 20 minutes.
4. Volaille avec os	0,5 - 3,0 lb	Après chaque signal sonore, réarrangez les morceaux et, s'il y a des morceaux chauds ou décongelés, retirez-les. Laissez reposer, à couvert, pour 10 à 20 minutes.
5. Casserole/ soupe	1 - 6 tasses	Après chaque signal sonore, émiettez et retirez les morceaux décongelés. En fin de cuisson, remuez bien et laissez reposer, à couvert, pour 5 à 10 minutes.

MANUAL DEFROST (DÉGIVRAGE MANUEL)

Si l'aliment que vous désirez décongeler ne figure pas dans le TABLEAU DEFROST ou si la quantité en est en dessous ou en dessus des limites indiquées dans la colonne QUANTITÉ du TABLEAU DEFROST, il faut faire un dégivrage manuel.

Il est possible de décongeler tout aliment congelé, soit cru, soit cuit précédemment, sur une allure de 30%. Suivez la démarche exacte indiquée dans TO SET POWER LEVEL (RÉGLER L'ALLURE) à la page 18. Estimez le temps de dégivrage et appuyez huit fois sur la touche Power Level pour une allure de 30%.

Pour des aliments congelés crus ou précédemment cuits, il faut prévoir en règle générale environ 4 minutes par livre. Par exemple, il faut prévoir un dégivrage de 4 minutes pour 1 livre de sauce à spaghetti congelée.

Arrêtez toujours le four de temps en temps pour retirer ou pour séparer les morceaux décongelés. Si l'aliment n'est pas complètement décongelé à l'échéance du temps de dégivrage estimé, programmez le four par incréments de 1 minute à une allure de 30% jusqu'à ce que le dégivrage s'achève complètement.

Si vous utilisez des pots en plastique tirés du congélateur, faites un dégivrage juste assez longtemps pour pouvoir retirer l'aliment du pot et le mettre dans un plat allant au micro-ondes.

REHEAT (RÉCHAUFFAGE)

Réchauffage calcule automatiquement le temps de réchauffage et l'allure requis pour les aliments indiqués dans le tableau ci-dessous.

1. Appuyez une fois sur la touche Reheat.
2. Consultez le pavé Menu. Sélectionnez l'aliment voulu via les touches numériques. Ex: Appuyez sur **2** pour des petits pains ou des muffins congelés.
3. Sélectionnez la quantité via les touches numériques. Ex: appuyez sur **2** pour 2 petits pains ou 2 muffins.
4. Appuyez sur la touche Start/Add-A-Minute.

Remarque:

- On peut combiner le réchauffage avec le réglage Plus de temps/moins de temps. Consultez la page 29.
- Pour réchauffer d'autres aliments ou pour des quantités en dessous ou en dessus de celles indiquées dans le TABLEAU REHEAT, faites un réchauffage manuel.

TABLEAU REHEAT

ALIMENT	QUANTITÉ	DÉMARCHE À SUIVRE
1. Petits pains/ muffins non congelés	1 - 8 mcx	Utilisez cette touche pour réchauffer des petits pains, des muffins, des biscuits, des bagels etc. Si les morceaux sont particulièrement gros, comptez 2 ou 3. Disposez-les sur une assiette et recouvrez-les d'une serviette en papier. Pour des petits pains ou des muffins réfrigérés, il peut s'avérer nécessaire de doubler la quantité entrée pour assurer une bonne température de présentation. Par exemple, entrez une quantité de 2 pour un muffin réfrigéré.
2. Petits pains/ muffins congelés	1 - 8 mcx	Utilisez cette touche pour réchauffer des petits pains, des muffins, des biscuits, des bagels, etc. Si les morceaux sont particulièrement gros, comptez 2 ou 3. Disposez-les sur une assiette et recouvrez-les d'une serviette en papier.
3. Boisson	0,5 - 2,0 tasses	Ce réglage sert à réchauffer une boisson refroidie. Remuez bien le liquide avant et après cuisson pour éviter une "éruption"

AUTRES CARACTÉRISTIQUES

KEEP WARM (GARDE AU CHAUD)

Garde au chaud permet de garder l'aliment au chaud pour jusqu'à 30 minutes.

EMPLOI DIRECT

1. Appuyez sur la touche Keep Warm.
2. Entrez le temps voulu via les touches numériques. Pour 30 minutes, entrez **3|0|0|0**.
3. Appuyez sur la touche Start/Add-A-Minute.

Le four se mettra en marche. **30:00** s'affiche puis le compte à rebours commence. **KEEP** **WARM** s'affiche par intervalles pendant ce compte à rebours.

AVEC LA CUISSON MANUELLE

1. Entrez le temps et l'allure voulus.
2. Appuyez sur la touche Keep Warm.
3. Entrez le temps de garde au chaud, jusqu'à 30 minutes.
4. Appuyez sur la touche Start/Add-A-Minute.

Le four se mettra en marche. En fin de cuisson, un long signal sonore se fait entendre puis Garde au chaud commence. L'affichage fait le compte à rebours. **KEEP** **WARM** s'affiche par intervalles pendant le compte à rebours.

Remarque:

- Si vous essayez d'entrer plus de 30 minutes pour Garde au chaud, un message d'erreur s'affichera.
- Garde au chaud ne peut être programmé avec Maïs soufflé à capteur, Réchauffage à capteur, Cuisson à capteur, Dégivrage ou Réchauffage.

CUISSON À SÉQUENCES MULTIPLES

On peut programmer le Four DrawerMicro pour jusqu'à 4 séquences de cuisson automatiques, c'est-à-dire des changements automatiques d'une allure à une autre.

Parfois les recettes demandent que l'on règle le four initialement sur une allure, puis change d'allure plus tard. Votre Four DrawerMicro le fera automatiquement.

1. Premièrement, entrez le premier temps de cuisson. Puis appuyez sur la touche Power Level une fois pour une allure de 100%, ou continuez d'appuyer sur Power Level pour une allure plus basse.
2. Entrez une deuxième temps de cuisson. Continuez à appuyer sur la touche Power Level jusqu'à ce que vous arriviez à l'allure désirée. On peut suivre cette procédure jusqu'à 4 fois.

3. Appuyez sur la touche Start/Add-A-Minute.

Remarque:

- Si l'on appuie une fois sur la touche Power Level, **HIGH** s'affiche.
- Si la dernière séquence requiert une allure de 100%, il n'est pas nécessaire d'appuyer sur la touche Power Level.
- Si vous désirez connaître l'allure pendant la cuisson, il ne faut qu'appuyer sur la touche Power Level. L'allure s'affiche aussi longtemps que vous maintenez une pression sur la touche Power Level.
- Garde au chaud peut toujours être programmé, même si l'on a choisi 4 séquences de cuisson.

HELP (AIDE)

Chaque réglage de Sensor Reheat, Sensor Cook, Sensor Popcorn, Keep Warm, Reheat et Defrosting s'accompagne d'une astuce. Si vous voulez accéder à ces astuces, appuyez sur Setup/Help lorsque le témoin HELP est allumé à l'affichage interactif.

ADD-A-MINUTE

Add-A-Minute permet de faire cuire à 100% pour une minute à l'aide d'une seule pression sur la touche Add-A-Minute. On peut également prolonger le temps de cuisson par intervalles de 1 minute en appuyant autant de fois que de minutes désirées sur la touche Add-A-Minute pendant une cuisson manuelle.

Remarque:

- Pour utiliser Add-A-Minute, appuyez sur la touche en les 3 minutes suivant la cuisson, la fermeture de la porte ou la pression sur la touche Stop/Clear.
- Add-A-Minute ne peut pas être utilisé avec les Réglages à capteur, Reheat ou Defrost.

RÉGLAGE PLUS DE TEMPS/MOINS DE TEMPS

Si vous découvrez que les réglages à capteur, de Réchauffage ou de Dégivrage exigent, pour vos goûts, un peu plus ou un peu moins de temps, appuyez une fois sur la touche Power Level après avoir appuyé sur votre sélection. **MORE** s'affiche.

Pour un temps de cuisson un peu plus court, appuyez deux fois sur la touche Power Level après avoir fait votre sélection. **LESS** s'affiche.

CONTROL LOCK (VERROUILLAGE DES COMMANDES)

La fonction de Control Lock prévient une utilisation non autorisée du tiroir par les enfants. On peut régler le Four DrawerMicro de manière à verrouiller ou à désactiver le tableau de commandes.

POUR VERROUILLER

Appuyez sur la touche Control Lock pendant 3 secondes. **LOCK ON** s'affiche.

POUR OUVRIR

Appuyez sur la touche Control Lock pendant 3 secondes. **LOCK OFF** s'affiche.

SETUP/HELP

En cas de coupure ou de panne de courant, **ENJOY YOUR MICRO-WAVE TOUCH CLEAR AND TOUCH CLOCK** s'affichera par intervalles une fois que le courant sera rétabli. Si cela se passe, votre option Setup/Help sera effacée. Appuyez sur la touche Stop/Clear pour régler de nouveau.

ÉLIMINATION DE SIGNAL SONORE

En fin d'une cuisson minutée, des signaux sonores se font entendre. Si vous préférez ne pas entendre ces signaux sonores, vous pouvez les désactiver.

POUR DÉSACTIVER LE SIGNAL

1. Appuyez sur la touche Setup/Help.
2. Appuyez encore sur la touche Setup/Help.
3. Appuyez sur la touche Start/Add-A-Minute. **SOUND OFF** s'affiche

POUR ACTIVER LE SIGNAL DE NOUVEAU

1. Appuyez sur la touche Setup/Help.
2. Appuyez encore sur la touche Setup/Help.
3. Appuyez sur la touche Start/Add-A-Minutes. **SOUND ON** s'affiche

RAPPEL FIN DE CUISSON

À la fin de la cuisson minutée, le micro-ondes émettra un signal sonore toutes les 10 secondes pour la première minute, puis toutes les trois 3 minutes jusqu'à ce que l'on appuie sur la touche Arrêt/remise à zéro, pour jusqu'une heure.

POUR DÉSACTIVER LE RAPPEL

1. Appuyez trois fois sur la touche Setup/Help. **REMIND SIGNAL OFF ? TOUCH START** s'affiche.
2. Appuyez sur la touche Start/Add-A-Minute. **REMIND SIGNAL OFF** s'affiche.

POUR ACTIVER LE RAPPEL DE NOUVEAU

1. Appuyez trois fois sur la touche Setup/Help. **REMINO** **SIGNAL** **ON ?**
TOUCH **START** s'affiche.
2. Appuyez sur la touche Start/Add-A-Minute. **REMINO** **SIGNAL** **ON**
s'affiche.

MISE EN MARCHÉ AUTOMATIQUE

Si vous voulez programmer le Four DrawerMicro pour se mettre en marche automatiquement à une heure spécifique, procédez comme suit.

1. Appuyez quatre fois sur la touche Setup/Help. **AUTO** **START** **TOUCH**
START s'affiche.
2. Appuyez sur la touche Start/Add-A-Minute.
3. Entrez l'heure de départ.
4. Appuyez sur la touche Timer/Clock.
5. Entrez le temps de cuisson via les touches numériques. Appuyez plusieurs fois sur la touche Power Level jusqu'à ce que l'allure voulue s'affiche.
6. Appuyez sur la touche Start/Add-A-Minute.

MODE DE DÉMONSTRATION

POUR SÉLECTIONNER LE MODE DE DÉMONSTRATION

1. Appuyez cinq fois sur la touche Setup/Help. **DEMO ON ?** **HOLD** **START**
3 SEC s'affiche.
2. Maintenez une pression sur la touche Start/Add-A-Minute pour 3 secondes.
DEMO ON s'affiche.

POUR ANNULER LE MODE DE DÉMONSTRATION

1. Appuyez cinq fois sur la touche Setup/Help. **DEMO** **OFF ?** **TOUCH**
START s'affiche.
2. Appuyez sur la touche Start/Add-A-Minute. **DEMO** **OFF** s'affiche.

Remarque:

- En mode de démonstration, le Four DrawerMicro n'émet pas d'énergie pour la cuisson ou le réchauffage.
- Le compte à rebours se fait rapidement.

NETTOYAGE ET ENTRETIEN

EXTÉRIEUR

La surface extérieure est composée de métal enrobé et de plastique. Nettoyez l'extérieur avec du savon doux et de l'eau; rincez et essuyez avec un torchon doux. N'utilisez pas de nettoyant abrasif ni de nettoyant ménager.

SURFACE EN ACIER INOXYDABLE

Il faut essuyer souvent l'extérieur avec un torchon doux et humide, puis le polir avec un torchon doux et sec pour maintenir la beauté du fini. Il y a aussi une variété de produits spécifiquement conçus pour nettoyer et polir les surfaces en acier inoxydable. Nous recommandons d'appliquer l'agent de nettoyage sur un torchon doux puis d'essuyer la surface en acier inoxydable, plutôt que d'appliquer le nettoyant directement sur la surface du four. Suivez les indications de l'emballage.

FACE AVANT DU TIROIR

Essuyez les deux faces du hublot avec un torchon doux et humide pour enlever des déversements ou des éclaboussures. L'entretien des pièces en métal est d'autant plus facile si l'on les essuie régulièrement avec un torchon doux et humide. Évitez d'utiliser des pulvérisateurs ou d'autres nettoyants abrasifs car ils risquent de tâcher, de rayer ou de ternir la surface.

TABLEAU DE COMMANDES

Si désiré, on peut désactiver les touches pour le nettoyage. Consultez la section Verrouillage des commandes à la page 30 du présent manuel. Essuyez le tableau avec un torchon légèrement humecté d'eau seulement. Essuyez avec un torchon doux. N'écurez pas; n'utilisez pas de nettoyants chimiques. Fermez la porte et procédez comme indiqué à la page 30 pour désactiver le Verrouillage des commandes. Appuyez sur la touche Stop/Clear.

INTÉRIEUR

Le nettoyage en est facile puisque les surfaces intérieures ne sont pas sujettes à la chaleur; de la sorte, il n'y a pas de cuisson ou de solidification des déversements ou des éclaboussures. Pour nettoyer les surfaces intérieures, y compris les surfaces d'étanchéité du tiroir, essuyez-les avec un torchon doux et humide. **N'UTILISEZ PAS DE NETTOYANTS ABRASIFS, DE SOLVANTS NI DE TAMPONS À RÉCURER.** Pour des salissures plus importantes, utilisez du savon doux; essuyez avec un torchon doux et humide. N'utilisez pas de nettoyants de four à base chimique.

GLISSIÈRE DU Four DrawerMicro

Enlevez les miettes tombées dans les glissières du Four DrawerMicro. Essuyez avec un torchon doux et sec de manière à ce que le Four DrawerMicro continue à ouvrir et à fermer facilement.

COUVERCLE DU GUIDE D'ONDES

ATTENTION : Le couvercle du guide d'ondes, situé sur la face intérieure supérieure du Four DrawerMicro, est fait de mica et nécessite un entretien spécial. Gardez propre le couvercle du guide d'ondes pour assurer le bon fonctionnement du micro-ondes. Essayez soigneusement avec un torchon doux et humide toute éclaboussure sur la surface du couvercle aussitôt que possible. Une accumulation d'éclaboussures sur ce couvercle risque de surchauffer et de causer de la fumée, voire de s'enflammer. N'enlevez pas le couvercle du guide d'ondes.

DÉSODORISATION

Parfois, il restera des odeurs de cuisson dans le Four DrawerMicro. Pour les supprimer, combinez dans une tasse graduée de 2 tasses : une tasse d'eau, le zeste et le jus d'un citron et plusieurs clous de girofle. Faites bouillir pour plusieurs minutes à l'allure 100%. Laissez refroidir dans le Four DrawerMicro puis enlevez la tasse graduée et essuyez l'intérieur du Four DrawerMicro avec un torchon doux.

AVANT D'APPELER UN TECHNICIEN

Pour éviter des pertes de temps et des dépenses inutiles, veuillez effectuer les vérifications suivantes avant d'appeler un technicien.

PROBLÈME	CAUSE POSSIBLE	SOLUTION
1. Une partie ou tout le Four DrawerMicro ne fonctionne pas.	<ul style="list-style-type: none">• La fiche du Four DrawerMicro n'est pas complètement branchée dans la prise murale.• Panne de courant.• Le fusible/le disjoncteur est défectueux.• Le Four DrawerMicro est en mode de démonstration.	<ul style="list-style-type: none">• Assurez-vous que la fiche est bien branchée dans la prise murale.• Vérifiez les lumières de la maison pour voir si elles marchent. Téléphonnez à votre service d'électricité local pour demander du service.• Changez le fusible ou remettez le disjoncteur.• Consultez la page 31 pour en savoir plus sur comment annuler le mode de démonstration.
2. L'aliment dans le Four DrawerMicro ne se chauffe pas.	<ul style="list-style-type: none">• L'appareil n'est pas branché.• Mauvais réglage des commandes du tiroir.• Le tiroir est en mode de démonstration.	<ul style="list-style-type: none">• Consultez la SOLUTION au PROBLÈME 1.• Vérifiez si les commandes sont réglées comme il faut.• Consultez la page 31.
3. La lampe du Four DrawerMicro ne fonctionne pas.	<ul style="list-style-type: none">• L'ampoule n'est pas bien serrée en place, ou elle est épuisée.	<ul style="list-style-type: none">• Téléphonnez à un technicien.
4. Les touches ne fonctionnent pas.	<ul style="list-style-type: none">• Le verrouillage des commandes est activé.	<ul style="list-style-type: none">• Consultez la page 30 pour en savoir plus sur comment désactiver le verrouillage.

PROBLÈME	CAUSE POSSIBLE	SOLUTION
5. L'affichage clignote.	<ul style="list-style-type: none"> • Panne de courant. 	<ul style="list-style-type: none"> • Appuyez sur Clear (Remise à zéro) et réglez l'heure. Si le Four DrawerMicro fonctionnait, il faut programmer la cuisson de nouveau.
6. De la vapeur sort de la sortie d'air	<ul style="list-style-type: none"> • Pendant l'opération du four à micro-ondes, il est normal que de la vapeur sorte du côté droit de la sortie d'air. 	

GARANTIE DU FOUR DRAWERMICRO

DEUX ANS DE GARANTIE COMPLÈTE

Le Four DrawerMicro et toutes leurs pièces constitutives et accessoires, sauf les parties listées ci-dessous*, sont garantis être exempts de défauts dus aux matériaux ou à la main d'œuvre pour un usage domestique normal pendant une période de deux (2) ans à partir de la date d'achat chez le revendeur. Viking Range, LLC, le garant, accepte de réparer ou remplacer, à son choix, toute partie qui tombe en panne ou qui est trouvée défectueuse durant la période de garantie.

* Les parties en verre (y compris les ampoules d'éclairage), peintes et décoratives, sont garanties être exemptes de défauts dus aux matériaux ou à la main d'œuvre pour un fonctionnement ménager normal pendant une période réduite de quatre-vingt-dix (90) jours à partir de la date d'achat chez le revendeur. TOUT DÉFAUT DOIT ÊTRE SIGNALÉ AU REVENDEUR DANS LES QUATRE-VINGT-DIX (90) JOURS SUIVANT L'ACHAT CHEZ LUI.

GARANTIE LIMITÉE DE CINQ ANS

Tout tube magnétron qui tomberait en panne suite à un défaut d'origine matériel ou de main d'œuvre, dans des conditions d'utilisation normales, de la seconde année à la cinquième année suivant sa date d'achat d'origine, sera réparé ou remplacé gratuitement pour le coût de la pièce elle-même, le propriétaire payant tous les autres frais dont la main d'œuvre.

Cette garantie est accordée au tout premier acheteur du produit garanti ici, et à tous acheteurs ultérieurs du produit pour la durée de cette garantie.

Cette garantie s'applique aux produits achetés et utilisés aux États-Unis et au Canada. Les produits doivent avoir été achetés dans le pays ou le service sous garantie est demandé. La main d'œuvre du dépannage doit être fournie par une agence de service agréée ou un dépositaire de Viking Range, LLC. La garantie ne pourra pas s'appliquer pour des dommages résultant d'usage abusif, d'accident, de catastrophe naturelle, de perte d'alimentation électrique vers le produit pour n'importe quelle raison, de vandalisme, d'utilisation en extérieur, d'installation incorrecte, de mise en œuvre non appropriée, d'entretien ou réparation par quiconque non habilité par une agence de service agréée ou un dépositaire de Viking Range, LLC. Cette garantie ne s'applique pas pour un usage commercial du produit. Le garant n'est pas responsable pour les dommages consécutifs ou accessoires survenant en violation des devoirs ou du contrat ou des deux. Certaines juridictions ne permettent pas l'exclusion ou la limitation pour dommages consécutifs ou accessoires, de ce fait la limitation ou exclusion ci-dessus peut ne pas être applicable pour votre cas.

Le propriétaire sera seul responsable de la conformité de l'installation, de l'apport normal de l'attention et de l'entretien, et devra fournir la preuve de son achat sur demande et laisser l'équipement raisonnablement accessible pour sa réparation. Si le produit ou un de ses composants comporte un défaut ou présente une anomalie de fonctionnement pendant sa période de garantie, après un nombre raisonnable de tentatives de résolution du problème par le garant, le propriétaire est en droit de demander un remboursement ou un remplacement de produit ou de(s) pièce(s). L'engagement du garant pour toute réclamation de toute sorte concernant le produit concerné ici ne pourra pas excéder le prix d'achat du produit lui-même.

RÉPARATION SOUS GARANTIE : Suivant les termes de cette garantie, la réparation doit être effectuée par un agent ou représentant autorisé par l'usine Viking Range, LLC. La réparation sera assurée durant les horaires de travail normaux, tout supplément pour travail effectué en dépassement d'horaire ou période spéciale ne sera pas couvert par cette garantie. Pour obtenir une réparation sous garantie, contactez le revendeur chez qui vous avez acheté le produit, ou un agent de service autorisé par Viking Range, LLC, ou Viking Range, LLC directement. Vous devrez alors fournir l'indication de modèle, le numéro de série et la date d'achat de l'appareil. Pour obtenir le nom de l'agence de service agréée par Viking Range, LLC la plus proche de chez vous, appelez le revendeur chez qui vous avez acheté, ou le service clientèle de Viking Range, LLC.

IMPORTANT : Gardez la preuve de votre achat d'origine pour la détermination de votre droit à la garantie.

Le retour de la carte d'enregistrement d'utilisateur ne conditionne pas votre garantie. Cependant veuillez la retourner de façon à ce que Viking Range, LLC puisse vous contacter si un problème de sécurité apparaissait sur ce type de produit qui vous concernerait.

Toutes garanties implicites du caractère commercialisable ou de l'adéquation à un usage particulier pour les parties décrites précédemment sont limitées à la durée contractuelle de la garantie exprimée plus élevé. Certaines juridictions ne permettent pas la limitation de durée pour les garanties implicites, de ce fait la limitation ci-dessus peut ne pas être applicable pour votre cas. Cette garantie vous donne des droits légaux spécifiques, et vous pouvez peut-être avoir d'autres droits, qui peuvent varier d'une juridiction à une autre.

Viking Range, LLC

111 Front Street

Greenwood, Mississippi (MS) 38930 USA (888) 845-4641

Spécifications susceptibles d'être modifiées sans préavis
Pour plus d'informations, appelez 1-888-845-4641,
ou branchez-vous sur le site Web à l'adresse brigade.ca

Viking Range, LLC
111 Front Street
Greenwood, Mississippi 38930 USA
(662) 455-1200

For product information
call 1-888-(845-4641) or visit our web
site at vikingrange.com in the US or
brigade.ca in Canada