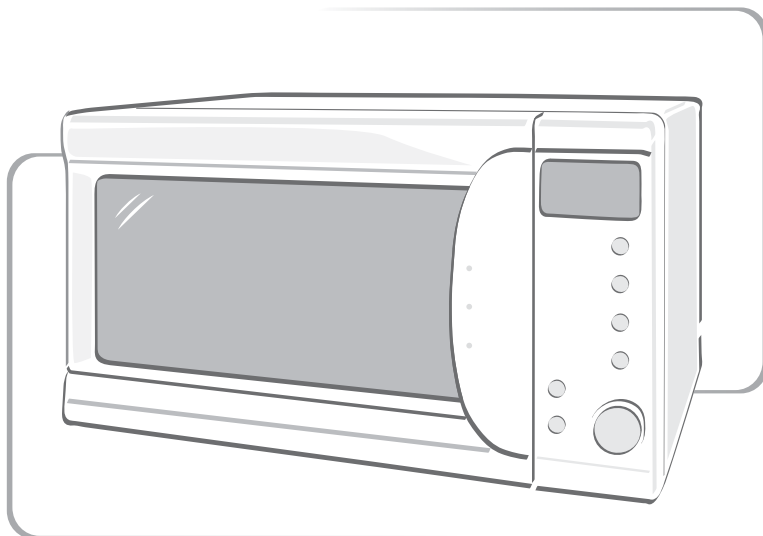


Microwave Oven

INSTRUCTION MANUAL

EN



SENCOR®

SMW 3717

Prior to installation and use of the microwave oven, please read the user's manual thoroughly. Store the user's manual in a safe place for future use.

CONTENTS

SAFETY MEASURES TO PREVENT POSSIBLE RISKS OF EXPOSURE TO MICROWAVE ENERGY	2
TECHNICAL SPECIFICATION	2
BEFORE YOU CONTACT A REPAIRMAN	3
INSTALLATION	3
INSTRUCTIONS FOR GROUNDING	3
RADIO WAVE INTERFERENCE	3
IMPORTANT SAFETY INSTRUCTIONS	4
THE BASICS OF COOKING IN A MICROWAVE OVEN.	4
KITCHENWARE GUIDE	5
DESCRIPTION	5
CONTROL PANEL	6
MICROWAVE OVEN CONTROL	7
DIGITAL CLOCK SETUP	7
MICROWAVE COOKING	7
QUICK START	7
AUTO DEFROST	8
AUTO COOK	8
CHILD SAFE LOCK	9
MAINTENANCE AND CLEANING	9
HANDLING INSTRUCTIONS FOR THE DISPOSAL OF USED PACKAGING MATERIAL	10
LIQUIDATION OF USED ELECTRICAL AND ELECTRONIC DEVICES	10

SAFETY MEASURES TO PREVENT POSSIBLE RISKS OF EXPOSURE TO MICROWAVE ENERGY

1. It is important that you neither damage or amend the safety locks of the microwave oven door.
2. Do not block the front part and door of the microwave oven with any sort of object and make sure dirt or remnants of cleaning solutions do not buildup on parts of the microwave oven with sealing.
3. Do not use the microwave oven in case it is damaged. It is extremely important that the oven door close immediately in order to avoid damaging the following parts:
 - door (to avoid deformation),
 - door and lock hinges damaged or loosened),
 - door sealing and other parts
4. The oven only be setup or repaired by a qualified service technician.

TECHNICAL SPECIFICATION

Voltage and input:	230 V ~ 50 Hz, 1200 W
Output	700 W
Frequency:	2450 MHz
Exterior dimensions:	262 mm (H) x 452 mm (W) x 335 mm (D)
Volume	17 litres
Cooking:	Rotating plate {Ø 245 mm}
Weight:	approx. 10.5 kg
Noise level:	57 dB (A)

The declared noise emission level for this appliance is 57 dB(A), which represents level A of the acoustic power relative to the reference acoustic power of 1 pW.

NOTE: The aforementioned data is subject to change.

BEFORE YOU CONTACT A REPAIRMAN

In case the oven is not working:

1. Make sure the oven is connected to the electric power supply. In case it is not, remove the power cord from the electric socket, wait 10 seconds and insert it once again.
2. Make sure a power failure has not occurred that may have caused an outage in fuses. In case the aforementioned events are in order, test the electric socket with another device.
3. Make sure you have setup the correct values on the control panel and have turned on the timer.
4. Make sure the door has been closed immediately with the help of the safety lock door system. In the opposite case, the oven will not function.

IN CASE THE AFOREMENTIONED STEPS DO NOT HELP, CONTACT A QUALIFIED REPAIRMAN. DO NOT TRY TO AMEND OR REPAIR THE OVEN ALONE.

INSTALLATION

1. Make sure all of the packaging material has been cleared from the interior space of the oven such as plastic bags, polystyrene etc.
2. **WARNING:** Check, whether or not the oven has been damaged in any way, for ex. the door does not fit properly or is dented, the sealing and other parts are damaged, destroyed or the hinges and door locks are loose or the interior of the oven and doors are dented. In case you discover any damages, do not use the oven and contact a qualified repairman.
3. The microwave oven must be placed on a flat, stable surface, which can bear its weight even with the food contents inside.
4. Do not place the oven close to sources of heat, in places with higher humidity or near flammable materials.
5. To insure proper function the oven must have appropriate ventilation. Leave 20 cm of free space above the upper surface of the oven, 10 cm behind the rear part and 5cm along the sides. Do not block the oven in any way. Do not remove the oven stands.
6. **The product is designed for use in open space, not as a built-in appliance.**
7. Do not use the oven without installing the rotating plate, carrier plate and power system.
8. Make sure, the power cable is not damaged, placed under the lower part of the oven or in contact with hot or sharp surfaces.
9. The electric socket must be easily accessible in case of immediate need to remove the electric cord.
10. Do not use the oven outdoors.

INSTRUCTIONS FOR GROUNDING

This appliance must be grounded. This oven is equipped with an electric cord, which has a grounding wire with a grounding plug. The plug must be inserted into the electric socket, which has been adequately installed and grounded. In case of power failure, grounding decreases the risk of being electrocuted - electricity is led through the grounding wire in case of an outage. We recommend the oven be connected to an independent electrical circuit. Using high voltage is dangerous and can cause fire or a different accident resulting in damage to the oven.

WARNING Incorrect socket grounding can lead to the risk of being electrocuted.

- Note**
1. In case you have any questions concerning grounding or electrical instructions, consult a qualified electrician or repairman.
 2. Neither the manufacturer nor the dealer can accept any liability for damage to the oven or personal injury resulting from failure to observe the electrical connection procedures.

RADIO WAVE INTERFERENCE

When using rge oven, your radio, television or similar receivers may be disturbed.

In case of interference, the following measures may be used to restrict it:

1. Maintaining the door and sealing of the oven surface clean.
2. Re-directing the radio or television antenna receiver.
3. Moving the microwave oven further from the receiver.
4. Connecting the microwave oven to a different socket with an independent electrical circuit.

IMPORTANT SAFETY INSTRUCTIONS**READ THOROUGHLY AND STORE FOR FUTURE USE.**

Basic safety measure should be respected when using the microwave oven including the following:

- This appliance is not intended for use by persons (including children) with reduced physical, sensory or mental capabilities, or lack of experience and knowledge, unless they have been given supervision or instruction concerning use of the appliance by a person responsible for their safety.
Children should be supervised to ensure that they will not play with the appliance.

WARNING: To decrease the risk of fire, electrocution, personal injuries or exposure to an increased amount of microwave energy:

1. Read all instructions prior to use.
2. Use this appliance only for the purposes for which it has been designed as defined in this manual. This oven is exclusively designed for heating, cooking or drying food. It is not designed for industrial or laboratory use. Do not use corrosive chemicals on this appliance.
3. Do not turn the oven on in case it is empty.
4. Do not use this oven in case the electric cord or plug is damaged, in case it does not function correctly, if it is damaged or has been dropped on the ground. Provided the electric cord is damaged, it must be replaced by an authorised service centre or other similar qualified person in order to prevent a dangerous situation from occurring.
5. **WARNING:** In case the door or the door sealing is damaged, the oven must not be used until repaired by an authorised service centre or trained individual.
6. **WARNING:** It is dangerous for any other person other than an authorised service or trained individual to execute any repairs or maintenance leading to the removal of the cover, which insures protection from microwave energy radiation.
7. **WARNING:** Use of oven by children without supervision permitted provided the substantial instructions have been given, so that the child is able to use the oven in a safe manner and can understand the dangers of improper use.
8. To prevent the risk of fire inside the oven:
Only use dishes, which are suitable for microwave use.
Heat the food in dishes made from plastic or paper, check the oven regularly for fire.
9. In case of smoke, turn the appliance off and remove the plug from the socket. Leave the oven door closed in order to prevent the spread of possible fire.
10. Do not use the oven interior for storage. If the oven is not being used, do not leave paper material, kitchenware or food inside.
11. **WARNING:** Liquids or other foods must not be heated in closed dishes, as they have a tendency to explode.
12. Drinks heated in the microwave oven may lead to delayed boiling and thus one must be careful when handling the dish.
13. Do not fry food in the microwave oven. Hot oil may damage parts of the oven, dishes, or even cause skin burns.
14. Eggs in shells and whole hard-boiled eggs must not be heated in the microwave oven, as they may explode.
15. Pierce food with a thick skin prior to cooking, such as potatoes, squash, apples and chestnuts.
16. Prior to feeding a baby, the contents of a baby bottle and baby food need to be mixed or shook and the temperature must be checked to prevent burns.
17. Kitchenware can become hot as a result of heat transferred from the heated food. It will be necessary to use kitchen mitts in certain cases.
18. This product belongs to group 2 grade B ISM device. Definition of group 2 includes all ISM devices (industrial, scientific, medical), in which the radio-frequency generated is used in the form of electro-magnetic radiation to alter food while using spark protection. Grade B includes devices which are suitable for household purposes, connected to a low voltage socket as found in the household.

THE BASICS OF COOKING IN A MICROWAVE OVEN

1. Neatly arrange the food. Place the thickest pieces of food around the edge of the dish.
2. Do not prepare the food directly on top of the rotating plate. Always place the food into the appropriate dish prior to inserting into the oven.
3. Set the cooking time correctly. Use short times for cooking, which can be extended in case of need. When cooking food at high temperatures, smoke may form or the food may ignite.

Microwave Oven

SMW 3717

EN

4. Cover the food when cooking. By covering food, juice is prevented from splattering and the food is more evenly cooked.
5. To increase the speed of cooking food, such as chickens and hamburgers, turn them over once while cooking. Large pieces of food, such as baked, must be turned over once at minimum.
6. Similar types of food such as meat patties, need to be re-arranged while cooking from back to front and from the centre to the edge.

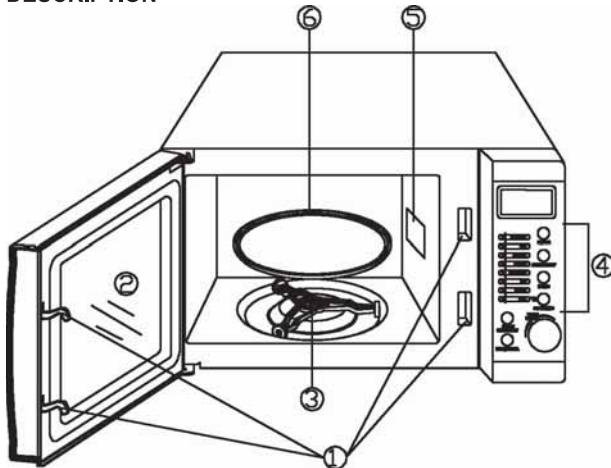
KITCHENWARE GUIDE

1. The ideal type of dish for microwave use is a clear dish, which allows the microwaves to penetrate inside and heat the food.
2. Microwaves can not penetrate through metal, hence metal dishes or bowls with a metal rim should not be used.
3. Do not use recycled paper products for microwave use, which could contain small metals particles.
4. Use round/oval dishes rather than square/rectangular ones, food in corners has a tendency to overcook.
5. Dishes suitable for microwave use should be used in accordance with the instructions as provided by the manufacturer.

This general list will help you select the appropriate dishes.

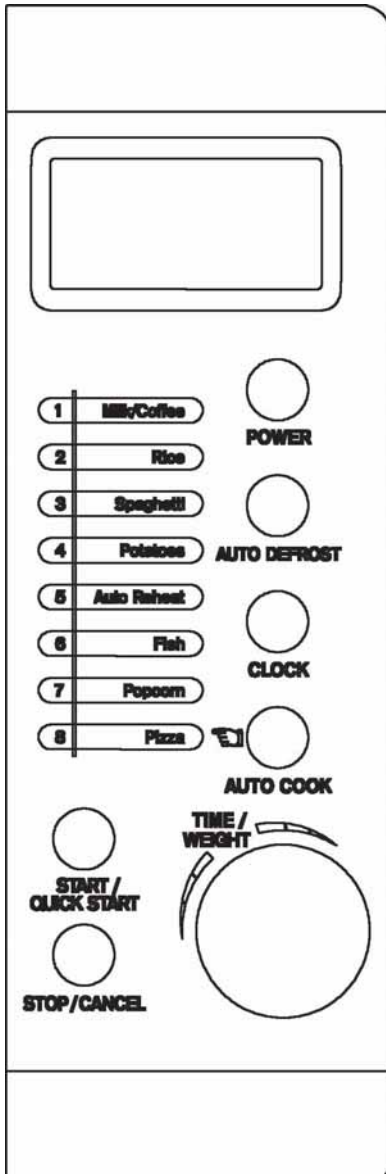
COOKING DISHES	Cooking in a microwave oven
Heat resistant glass	Yes
Normal glass	No
Heat resistant ceramics	Yes
Plastic dishes for microwave use	Yes
Paper towel	Yes
Metal trays	No
Metal stands	No
Aluminium foil & dishes made from foil	No

DESCRIPTION



1. Door lock safety system
2. Oven Window
3. Roller Ring
4. Control Panel
5. Wave Guide
6. Glass Tray

CONTROL PANEL



- **DISPLAY**

- Displays the set time of cooking, power, clock, etc.

- **POWER BUTTON**

- This button serves to set the desired power of microwave cooking.

- **AUTO COOK BUTTON**

- By pressing this button you enter the programme offer of automatic cooking.

- **AUTO DEFROST BUTTON**

- By pressing this button you activate the defrost setting according to weight.

- **CLOCK BUTTON**

- By pressing this button you activate clock setup.

- **TIME/WEIGHT ROTATING BUTTON**

- According to the current settings, by turning the button you can set:
 - a) the clock or cooking length
 - b) the weight in g or the number of portions

- **START/QUICK START BUTTON**

- a) By pressing this button you activate the selected cooking programme and start the operation of the microwave oven.
- b) This button serves to start the oven quickly without the prior need to set the power and cooking time up using other buttons.

Note: In case the microwave oven doors are not properly shut, the oven will not start.

- **STOP/CANCEL**

- a) By pressing this button you cancel the setup, which you have just completed.
- b) By pressing this button once, you will pause the cooking process, by pressing it twice you will stop the cooking completely.
- c) By holding this button down you activate the child lock system.

Microwave Oven

SMW 3717

EN

MICROWAVE OVEN CONTROL

When any button is pressed, a peeping sound will be heard, which confirms the button has been pressed.

DIGITAL CLOCK SETUP

By pressing the CLOCK button once or twice you can set either a 12 or 24 hour clock format.

For e.g.: If you would like to set the clock at 8:30.

1. Press the CLOCK button once or twice to set either a 12 or 24 hour clock format.
2. Turn the TIME/WEIGHT button, until the number 8 shows on the display.
3. Press the CLOCK button.
4. Turn the TIME/WEIGHT button, the display shows the number 8:30.
5. Confirm the setting by pressing the CLOCK button.

If you would like the time to be displayed while cooking rather than the remaining cooking time, press the CLOCK button once and the time will appear on the display within about 5 seconds.

MICROWAVE COOKING

With the help of the POWER button select the desired power and then set up the desired cooking time (max. 60 minutes) using the TIME/WEIGHT button.

Using the POWER button you can select the following levels of cooking power:

THE NUMBER OF TIMES THE POWER BUTTON IS PRESSED	POWER
Once	100%
2 times	80%
3 times	60%
4 times	40%
5 times	20%
6 times	0%

For e.g. you would like to cook the food for 3 minutes using 60% power.

1. Press the POWER button 3 times.
2. Turn the TIME/WEIGHT button to 3:00.
3. Press the START/QUICK START button to start the microwave oven.

QUICK START

This function enables the quick start of the microwave oven in full power

By repeatedly pressing the START/QUICK START button, you set the length of cooking time according to the following table and the microwave oven then automatically starts on full power.

THE NUMBER OF TIMES THE START/QUICK START BUTTON IS PRESSED	TIME
Once	0:30
2 times	1:00
3 times	1:30
4 times	2:00
....
15 times	12:00

For e.g. you would like to set the microwave oven to 2 minutes using this function:

Press the START/QUICK START button 4 times and the microwave oven will start immediately on full power.

AUTO DEFROST

You can defrost meat, poultry and seafood in the oven. Once you have entered the weight of the food, the time will and defrost power will be set automatically. The range in weight of frozen foods is from 100g to 1 800 g.

For e.g.: You would like to defrost 600g of shrimp.

1. Put the shrimp into the oven.
2. Press the AUTO DEFROST button once.
3. Turn the TIME/WEIGHT button to set the weight 600 g.
4. Press the START/QUICK START button.

AUTO COOK

In case you use this setting for cooking, it is not necessary to set the length and power of cooking. All you have to do is select the type of food, which you wish to cook, and its weight. By pressing the AUTO COOK once or several times, select the food code according to the following table. Then set the weight of the food you wish to cook using the TIME/WEIGHT button. Start the microwave oven by pressing the START/QUICK START button.

To attain the best possible result of cooking, it will be necessary to turn some of the types of food over half-way through the cooking time.

Automatic cooking menu

Code	Type of foodcooking/ programme	By turning the TIME/WEIGHT button set the weight of the food or the number of portions						
1	Milk/coffee(200 ml each)	1	2	3				
2	Rice (g)	150g	300g	450g	600g			
3	Spaghetti (g)*	100g	200g	300g				
4	Potatoes (230 g)	1	2	3				
5	Auto reheating (g)	200g	300g	400g	500g	600g	700g	800g
6	Fish (g)	200g	300g	400g	500g	600g		
7	Popcorn (g)	99g						
8	Pizza (g)	150g	300g	450g				

For e.g.: You would like to cook 400g of fish.

1. Press the AUTO COOK button 4 times.
2. Turn the TIME/WEIGHT button to set the weight 400 g.
3. Press the START/QUICK START button.

*Add hot water prior to cooking.

The result of automatic cooking depends on several factors, for e.g. the shape and size of the food, your personal preference for the degree to which certain foods are cooked and also the placement of the food in the oven. If the result does not satisfy you, adjust the cooking time and power according to your need.

CHILD SAFE LOCK

Designed to prevent small children from using the microwave oven without adult supervision. Once the child safe lock has been set, the CHILD SAFE LOCK indicator will light on the display and the microwave oven will be uncontrollable.

CHILD SAFE LOCK activation: Press the STOP/CANCEL button and hold it for approx. 3 seconds until the lock indicator lights up on the display.

CHILD SAFE LOCK deactivation: Press the STOP/CANCEL button and hold it for approx. 3 seconds until the lock indicator disappears from the display.

MAINTENANCE AND CLEANING

Prior to cleaning the oven, always turn the oven off and remove the electric cord from the socket.

1. Maintain the interior space of the oven clean. If the oven walls are dirtied by food juices, wipe with a wet cloth. If the oven is heavily dirtied, you can use a weak solution of a neutral cleaning agent. Avoid using a spray or abrasive cleaning agents, which could lead to discolouration or bleaching of the surface.
2. The exterior part of the oven should be cleaned by a damp cloth. In order to prevent damage to the operational parts of the oven, make sure water does not enter the ventilation openings.
3. Clean the oven door and window on both sides, the door sealing and adjacent parts on a regular basis from dirt and remnants of food. We recommend using a weak solution of a neutral kitchen cleaning agent for cleaning. Do not use abrasive cleaning agents, gas or thinners for cleaning.
4. Do not allow the control panel to get wet. Clean it with a soft damp cloth. When cleaning the control panel, leave the oven door open to prevent turning it on by accident.
5. If the interior of the door and the adjacent parts become obscured by steam from food, clean using a soft cloth. This may occur as a result of using the oven in a place with higher humidity. It is a normal state.
6. It is necessary to occasionally remove the glass tray and clean it. Rinse the tray in warm soap water or in the dishwasher.
7. The rotating circle and bottom of the interior part of the oven should be cleaned on a regular basis to prevent an increase in noise. You can easily clean the bottom of the interior part of the oven with a weak solution of a neutral cleaning agent. The rotating circle can be cleaned in a weak solution of a neutral cleaning agent or in the dishwasher. After removing the rotating circle from the oven interior for cleaning, return it to its original position once clean.
8. To get rid of the smell from the oven, place a glass of water in the microwave oven (make sure it is suitable for microwave use) with the rind of one lemon and let it cook in the microwave programme for 5 minutes. Wipe the oven interior dry thoroughly using a soft cloth.
9. If it is necessary to replace the interior lighting of the oven, please contact the dealer.
10. Clean the oven on a regular basis in accordance with the aforementioned instructions and remove the remnants of food. Not maintaining the oven in a clean state could lead to the damage of the surface, which could have a negative influence on the life of the appliance and could result in a dangerous situation.

Handling instructions for the disposal of used packaging material

Discard of used packaging material at a site designated for waste in your locale.

Liquidation of used electrical and electronic devices

This symbol on a product, its accessories or packaging signifies that this product must not be treated like household waste. Liquidate the product by submitting it to the collection site for recycling electrical and electronic devices. Independent waste collection systems exist for collecting used electrical and electronic products in countries of the European Union and other European countries. Insuring their proper liquidation will help prevent potential risks concerning the environment and human health, which could be incurred by incorrect waste management. Recycling waste material helps maintain natural resources of raw material - for the reason stated, please do not liquidate your old electrical and electronic devices along with household waste. For further detailed information on recycling this product, please contact an environmental worker at the local office (town or municipal), waste collection site workers or employees at the store, where you purchased the product.



This product is in compliance with the requirements of the regulations of EU on electromagnetic compatibility and electrical safety.