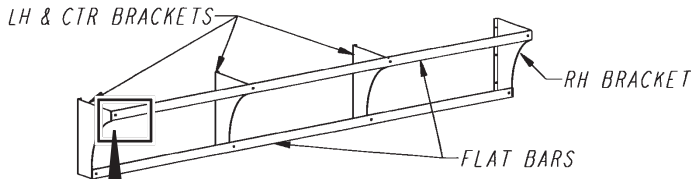


Wall Mounted Pot Rack

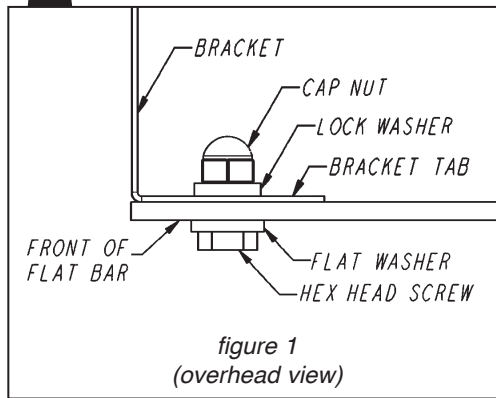
ASSEMBLY INSTRUCTIONS

CAUTION

INSPECT CONTENTS IMMEDIATELY AND FILE CLAIM WITH DELIVERING CARRIER FOR ANY DAMAGE. **SAVE YOUR BOX AND ALL PACKING MATERIALS.** YOU ARE RESPONSIBLE FOR DAMAGE TO YOUR UNIT IF RETURNED IMPROPERLY PACKED.



Note: Depending on length purchased, the pot rack will have 2, 3, or 4 wall brackets.



Parts (quantities)

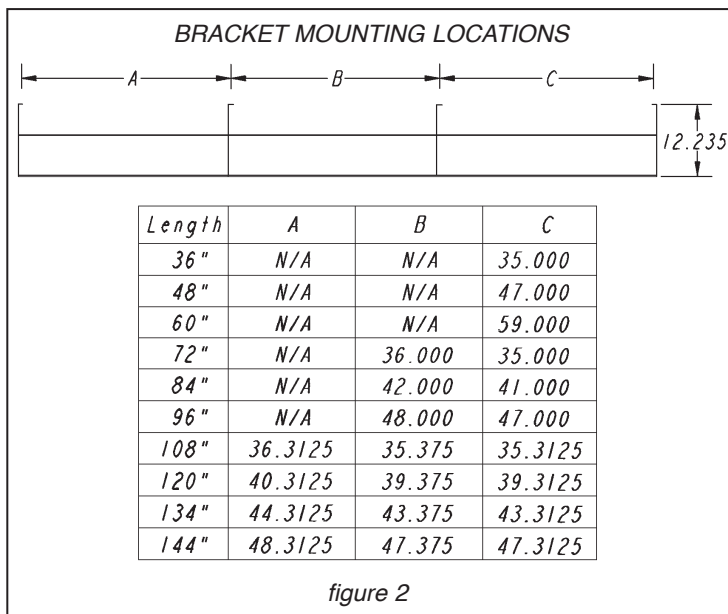
Part description:	Pot Rack length:									
	36"	48"	60"	72"	84"	96"	108"	120"	134"	144"
Flat Bar	2	2	2	2	2	2	2	2	2	2
Left Bracket	1	1	1	2	2	2	3	3	3	3
Right Bracket	1	1	1	1	1	1	1	1	1	1
Screw	4	4	4	6	6	6	8	8	8	8
Flat Washer	4	4	4	6	6	6	8	8	8	8
Lock Washer	4	4	4	6	6	6	8	8	8	8
Cap nut	4	4	4	6	6	6	8	8	8	8

1) Flat Bars

Attach flat bar to front of all brackets with hardware, as shown in *figure 1*. Hand-tighten cap nuts until all flat bars are installed.

2) Mounting

Square flat bars with wall brackets and tighten hardware. Mount to wall*. Refer to *figure 2* for bracket mounting locations.



(End) Assembly is complete.

* Note: Wall mounted units must be attached to a properly constructed and sound wall. For walls constructed of wood or steel studs, the mounting points must be directly on the stud or suitable in-wall grounds of plywood or sheet metal. Eagle Group cannot be held responsible for the failure of the device or any other devices due to improper installation.