

### Installation notes

- It is recommended that the installation of this product be done by a professional plumber.
- Before installation, remove your new washbasin and carefully inspect it for damage. Return the washbasin to its packaging until you are ready to install it.
- This washbasin does not have an overflow and may require a specific type of drain. The nut on the drain pipe will secure the washbasin to the drain hole (Ø1.7in) in the countertop
- Product rests on countertop. Consider height when designing installation. The countertop must be flat. We recommend the use of a bead of clear silicone to seal in-between the underside edge of the washbasin and countertop.
- Choose a faucet that will provide adequate clearance. We recommend the use of a Karran faucet.

### Care Instructions

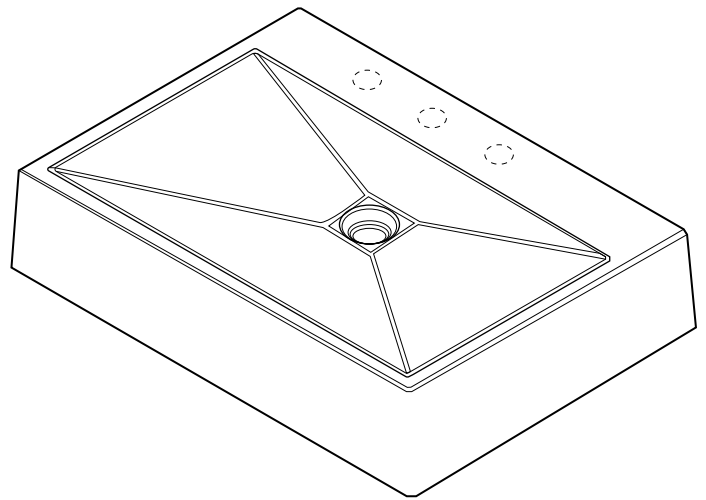
- To keep your washbasin looking new, please follow these simple care instructions:
- Routine cleaning of your quartz washbasin will reduce the need for heavy cleaning and polishing.
- Never use strong/abrasive cleaners. Clean your quartz washbasin with water and a soft, clean cloth. Do not use abrasive detergents or cleaning pads, as they can damage the surface of the washbasin.
- For long term durability we recommend the use of the Karran Luster Pro Oil. Luster Pro oil cleans, protects, and shines. It is available at all popular online retailers.

### Features

- Made from quartz composite
- Anti-bacterial protection
- Above the counter installation
- Usable for single hole faucets or 3-hole sets of 1.38 in diameter
- 24.21 x 17.52 x 5.12 inches

### Technical Information

- Bathroom fixture
- Basin area: 22.24 x 12.64 inches
- Water depth: 3.78 inches
- Drain hole: Ø 1.7 inches



### Colors/ Finishes

- Black, White, and Grey
- Satin gloss

Model	Description	Color	Finish
SQS100WH	Washbasin without overflow	White	Satin gloss
SQS100BL	Washbasin without overflow	Black	Satin gloss
SQS100GR	Washbasin without overflow	Grey	Satin gloss