

# ZEPHYR

WWW.ZEPHYRONLINE.COM

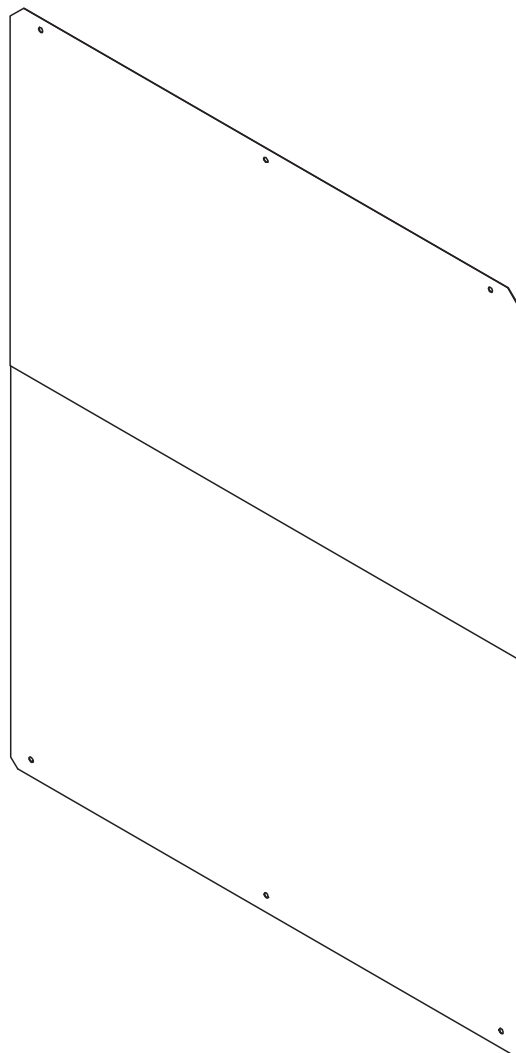
## Stainless Steel Backsplash

AK1710 - 30"      AK1718 - 48"

AK1716 - 36"      AK1714 - 54"

AK1712 - 42"

### Use, Care, and Installation Guide





	Page
List of Materials.....	3
Specifications .....	4-6
Installation Instructions.....	7
Maintenance .....	8
Contact Us .....	8

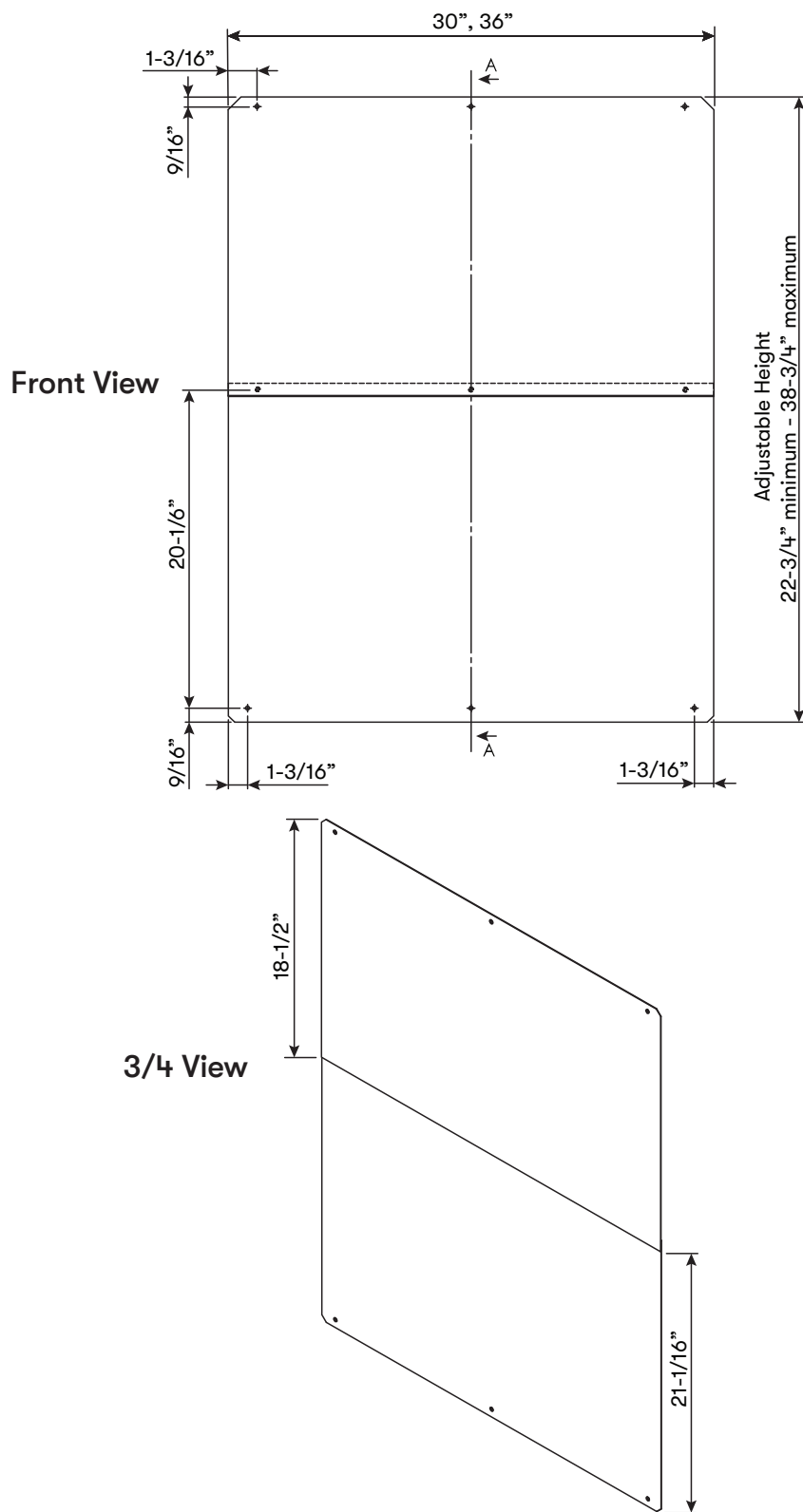
**Parts Supplied**

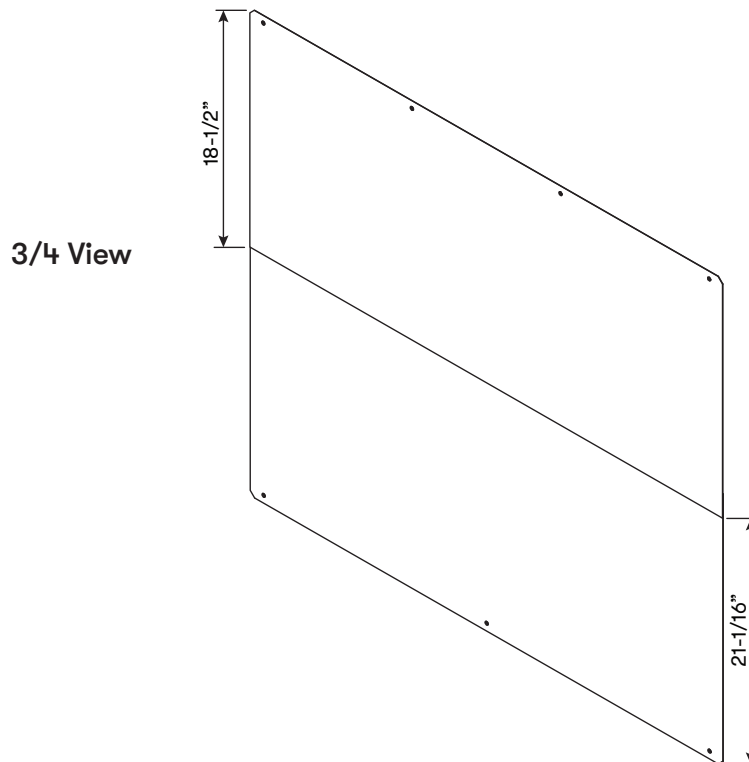
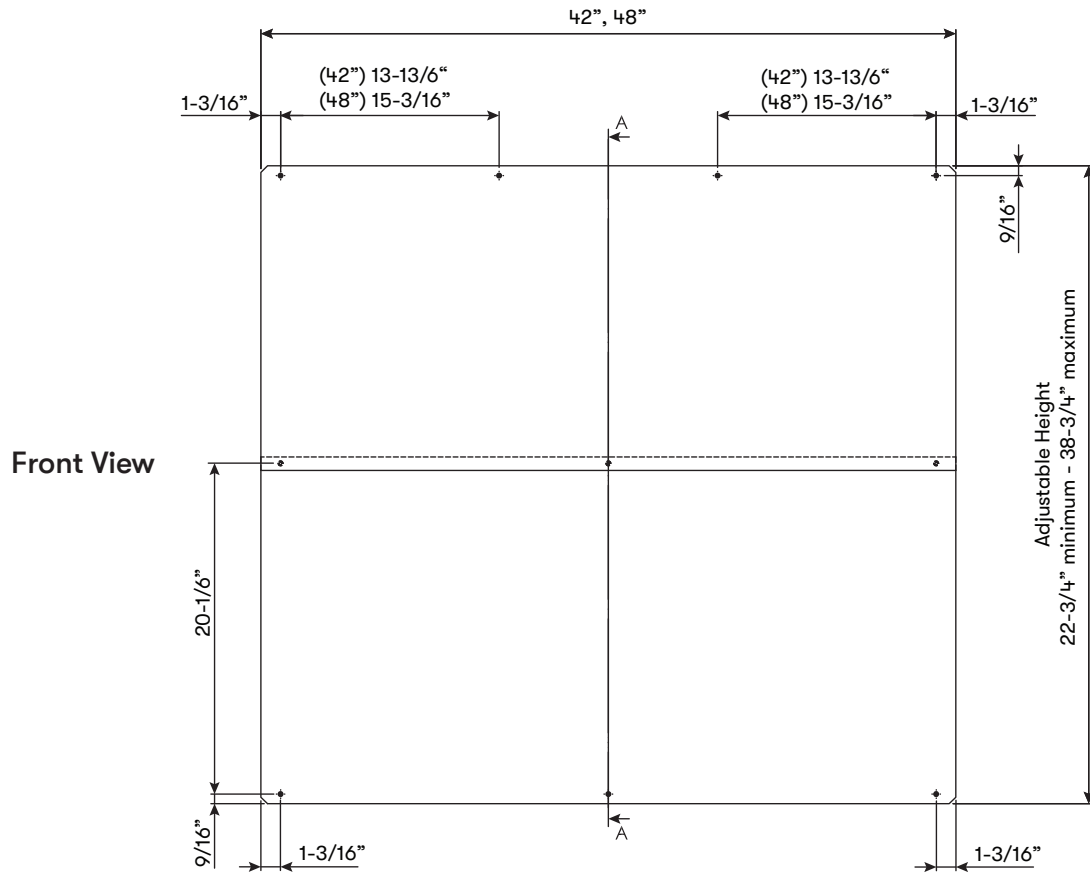
Quantity	Part
1	Upper section
1	Lower section
1	Hardware package
<b>Hardware Package Contents</b>	
9	#6*1 Wood Screw (for 30" and 36")
10	#6*1 Wood Screw (for 42" and 48")
11	#6*1 Wood Screw (for 54")

To order parts, visit us online at <http://store.zephyronline.com>.

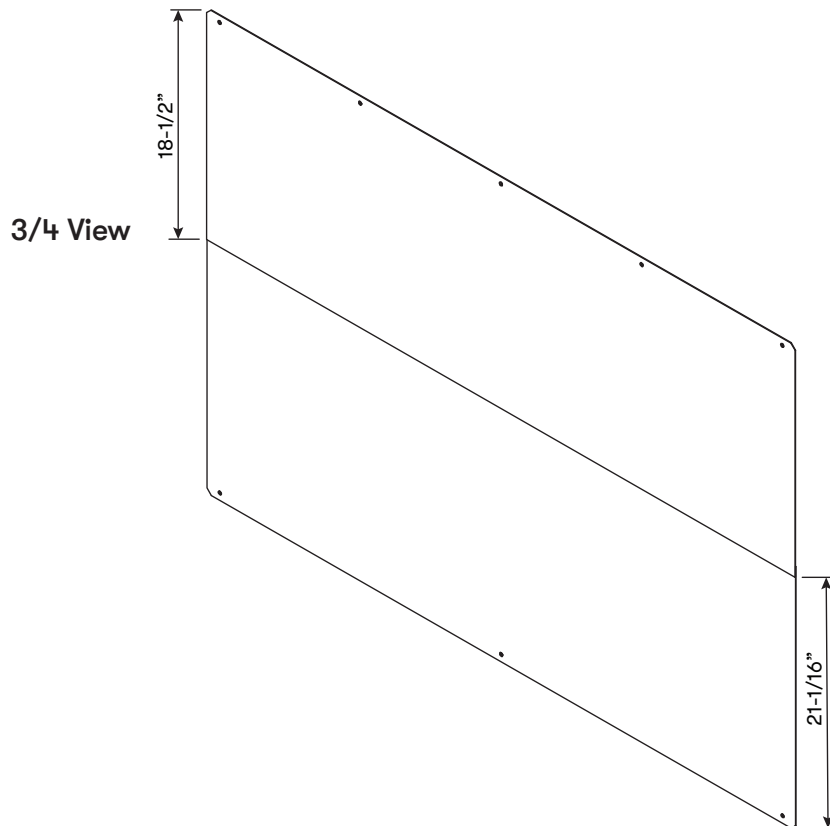
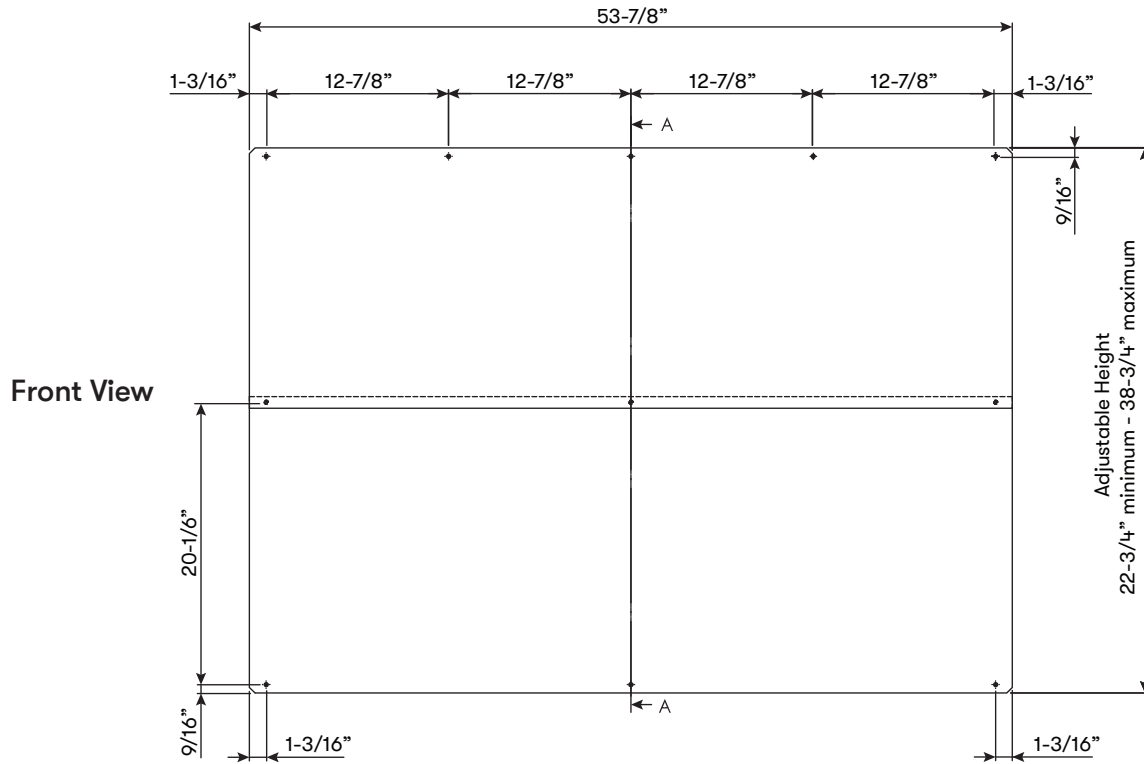


# Specifications





# Specifications





## WARNING



The backsplash should be installed before the hood is installed.

1. Position the lower section of backsplash on the wall. Center it side to side and mark the holes. Remove the lower section from the wall.
2. If installing onto drywall only and not onto studs, insert wall anchors (EZ anchors are recommended) into the marked holes. If installing onto studs, attach screws without EZ anchors.
3. Attach lower section of backsplash to the wall with screws provided.
4. Position upper section of backsplash on the wall. The position of the upper section should be at least 1" above the bottom of the hood so the recessed screws are covered. Center it side to side and mark the holes. Remove the upper section from the wall and install wall anchors into marked holes.
5. Peel off the double-sided tape. Attach upper section to wall with screws provided.
6. Use the double-sided tape to adhere both the upper and lower sections together.

# Maintenance

---

## Surface Maintenance

- ▶ Do not use corrosive detergents, abrasive detergents or oven cleaners.
- ▶ Do not use any product containing chlorine bleach or any product containing chloride.
- ▶ Do not use steel wool or abrasive scrubbing pads which will scratch and damage surface.

## Cleaning Stainless Steel

Clean periodically with warm soapy water and clean cotton cloth or micro fiber cloth. Always rub in the direction of the stainless steel grain. To remove heavier grease build up use a liquid degreaser detergent.

After cleaning use a non-abrasive stainless steel polish/cleaners, to polish and buff out the stainless luster and grain. Always scrub lightly, with clean cotton cloth or micro fiber cloth and buff in the direction of the stainless steel grain.

## Contact Us

To order parts, visit us online at <http://store.zephyronline.com>.

Zephyr Ventilation  
2277 Harbor Bay Parkway  
Alameda, CA 94502