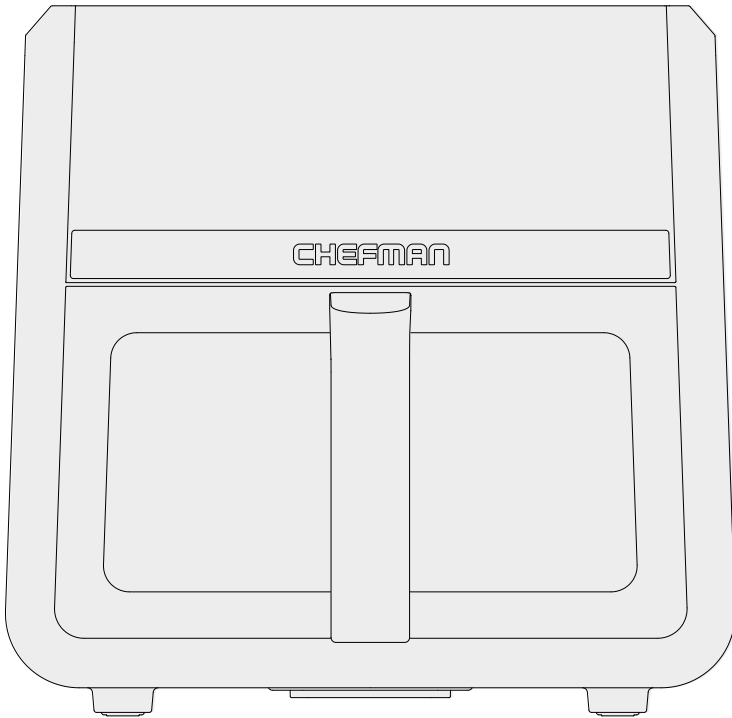




**CHEFMAN.**

**TurboFry®**  
XL 9-Quart  
Air Fryer



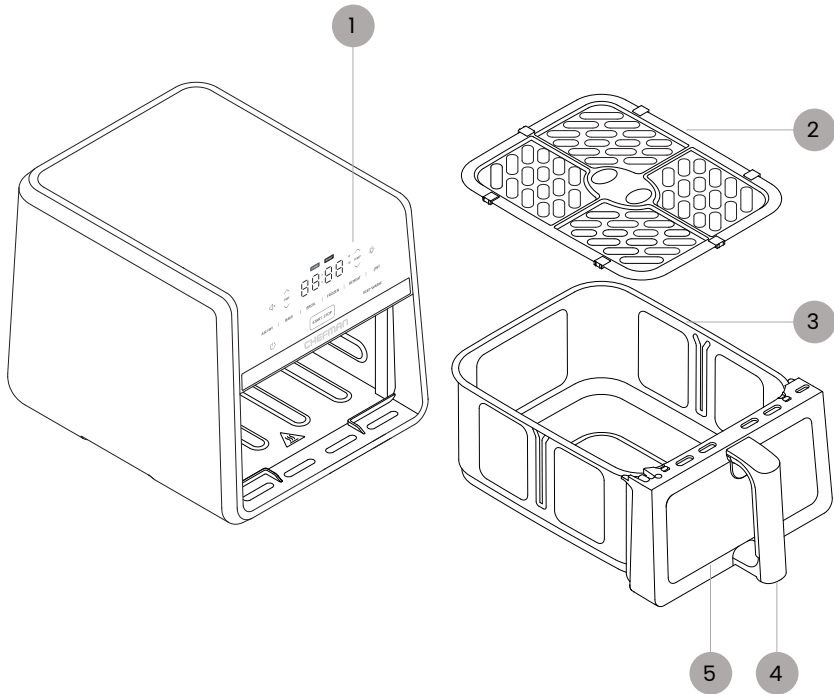
RJ38-9TW-V2-SERIES





# Get to Know Your Air Fryer

1. Control panel
2. Basket rack
3. Basket
4. Basket handle
5. Basket window



## **READ ALL INSTRUCTIONS BEFORE USE**

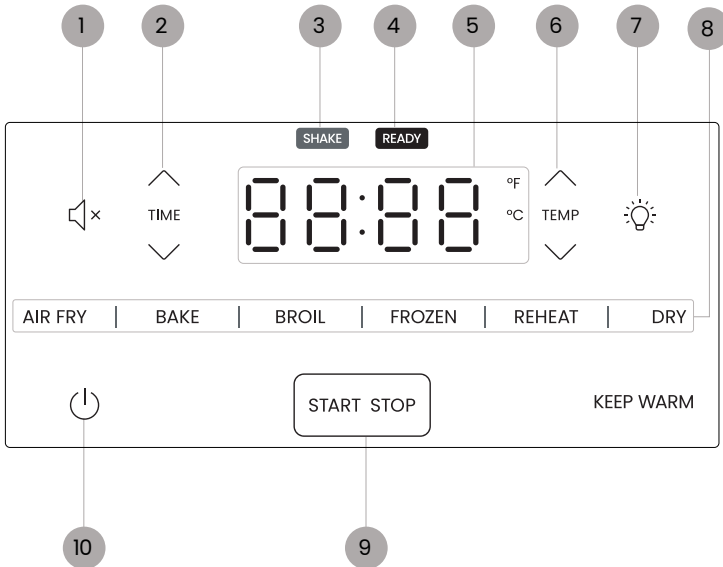
For your safety and continued enjoyment of this product, always read the instruction manual before using.





# Control Panel

1. Mute On | Off button
2. TIME adjustment buttons
3. SHAKE indicator
4. READY Indicator
5. Temperature | Time display
6. TEMP adjustment buttons
7. Light button
8. Cooking function buttons
9. START | STOP button
10. Power button





# SAFETY INSTRUCTIONS & IMPORTANT SAFEGUARDS


When using electrical appliances, basic safety precautions should always be followed, including:

1. Read all instructions.
2. **Do NOT** touch hot surfaces. Use handles or knobs.
3. To protect against electric shock, do not immerse cord, plugs, or unit body in water or other liquids.
4. Close supervision is necessary when any appliance is used by or near children.
5. Unplug from outlet when not in use and before cleaning. Allow to cool before putting on or taking off parts, and before cleaning the appliance.
6. **Do NOT** operate any appliance with a damaged cord or plug or after the appliance malfunctions, or has been damaged in any manner. Contact Chefman Customer Support for examination, repair, or adjustment.
7. The use of accessory attachments not recommended by Chefman may cause injuries.
8. **Do NOT** use outdoors.
9. **Do NOT** let cord hang over edge of table or counter, or touch hot surfaces.
10. **Do NOT** place on or near a hot gas or electric burner, or in a heated oven.
11. Extreme caution must be used when moving an appliance containing hot oil or other hot liquids.
12. Always check that the supply cord is fixed well in the unit before plugging into the wall outlet. To disconnect, turn any control to off, then remove plug from wall outlet.
13. **Do NOT** use the appliance for anything other than its intended use.
14. Place the unit on a flat, sturdy, heat-resistant surface. **Do NOT** place the unit near or on any type of heat source, such as a gas or electric burner, stove, or oven, even if not on. **Do NOT** use near an open flame or flammable materials.
15. The unit will emit some heat. Allow sufficient space around the unit when in use, and **do NOT** place near other items or appliances.





# SAFETY INSTRUCTIONS & IMPORTANT SAFEGUARDS

16. Check that your home power supply corresponds with the intended voltage of the air fryer.
17. Never wrap the cord tightly around the appliance during use or storage; this may cause the wire to fray and break.
18. This product is not a deep fryer. It is **NOT** meant to be filled with oil. Never fill any parts of the air fryer with oil. If you choose to use oil, toss food with oil in a separate bowl and then transfer food to the removable rack or basket.
19. **Do NOT** move the air fryer while it is full of food.
20. **Do NOT** leave the air fryer unattended during use.
21. Some areas do get **HOT** during use, and the touch screen may get warm. **Do NOT** touch the heating elements. **Do NOT** place hands or other body parts near the air vents while the air fryer is in use; burns may result. Take caution when handling the hot air fryer rack and all removable parts.
22. Use protective mitts and/or tongs to remove hot food from the air fryer.
23. This appliance is not intended for use by persons (including children) with reduced physical, sensory or mental capabilities, or lack of experience and knowledge, unless they have been given supervision or instruction concerning use of the appliance by a person responsible for their safety.
24. Children should be supervised to ensure that they do not play with the appliance.
25. If the supply cord is damaged, it must be replaced by the manufacturer, its service agent or similarly qualified persons in order to avoid a hazard.
26. The appliance is not intended to be operated by means of an external timer or separate remote-control system.
27. This appliance is intended to be used in household and similar applications such as:
  - staff kitchen areas in shops, offices and other working environments;
  - farm houses;
  - by clients in hotels, motels and other residential type environments;
  - bed and breakfast type environments.
28.  Caution, hot surface.





# SAFETY INSTRUCTIONS & IMPORTANT SAFEGUARDS

## SAVE THESE INSTRUCTIONS FOR HOUSEHOLD USE ONLY

**WARNING:** This appliance has a polarized plug (one blade is wider than the other). This plug is intended to fit into a polarized outlet only one way. If the plug does not fit fully into the outlet, reverse the plug. If it still does not fit, contact a qualified electrician. Do not attempt to modify the plug in any way or force it into the outlet. This could result in injury or electric shock.

### Short Cord Instructions

A short power-supply cord is provided to reduce the hazards of entanglement or tripping over a longer cord. Longer detachable power-supply cords or extension cords are available and may be used if care is exercised in their use. If a longer detachable power-supply extension cord is used:

1. The marked electrical rating of the extension cord should be at least as great as the electrical rating of the appliance.
2. The longer cord should be arranged so that it will not drape over the countertop or tabletop where it can be pulled on by children or tripped over.



# SAFETY INSTRUCTIONS & IMPORTANT SAFEGUARDS

## Power Cord Safety Tips

1. Never pull or yank on the cord or the appliance.
2. To insert the plug, grasp it firmly and guide it into the outlet.
3. To disconnect the appliance, grasp the plug and remove it from the outlet.
4. Never use the product if the power cord shows signs of abrasion or excessive wear. Contact Chefman Customer Support for additional guidance and support.
5. Never wrap the cord tightly around the appliance, as this could place undue stress on the cord where it enters the appliance and cause it to fray and break.

**DO NOT OPERATE THE APPLIANCE IF THE POWER CORD SHOWS ANY DAMAGE OR IF THE APPLIANCE WORKS INTERMITTENTLY OR STOPS WORKING ENTIRELY.**



**California Proposition 65:**  
(Applicable for California Residents only)  
**WARNING:** Cancer and Reproductive Harm  
[www.P65Warnings.ca.gov](http://www.P65Warnings.ca.gov)

Do not place the appliance on a stovetop or any other heatable surface, even if stovetop is not on. Doing so is a fire hazard.





# Before First Use



1. Remove all packaging materials, such as plastic bags and foam inserts. Check to ensure that all parts and accessories are accounted for.
2. Read and remove any stickers on the unit except for the rating label, which should remain on the unit.
3. Wipe down the interior and exterior with a damp cloth.
4. Wash the basket and rack with warm, soapy water. Dry thoroughly.



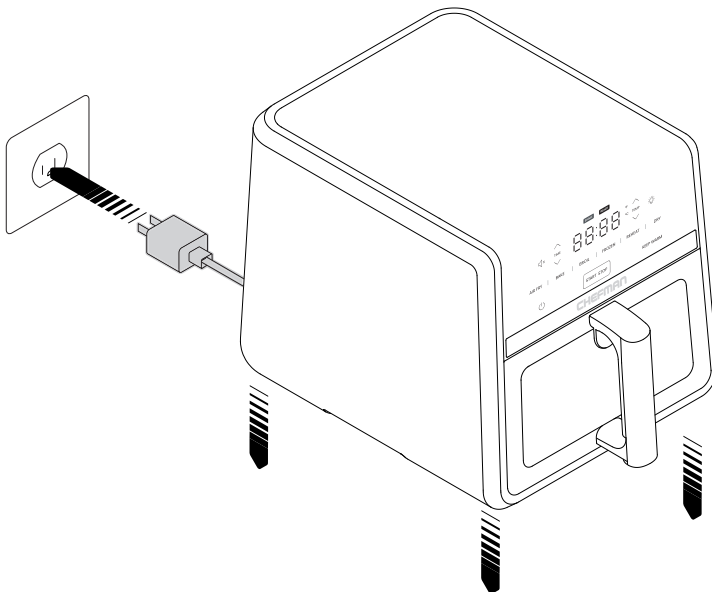


# Quick Start: How to Cook in the Air Fryer

The air fryer's high-speed fan cooks your favorite foods quickly for perfect results each time. The rack in the basket allows air to circulate around foods for even cooking and crisping and lets excess fat drip down and away from foods for healthier eating.

**CAUTION:** Never fill the basket with oil. Unlike deep fryers, air fryers require little to no oil to produce a crisp texture. If you choose to use oil, toss foods with just a little in a separate bowl before cooking in the air fryer.

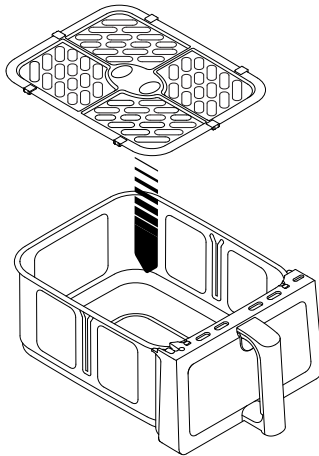
1. Place the air fryer on a hard, flat surface with at least 6 inches of clearance on top and in back for proper airflow, then plug in the air fryer.



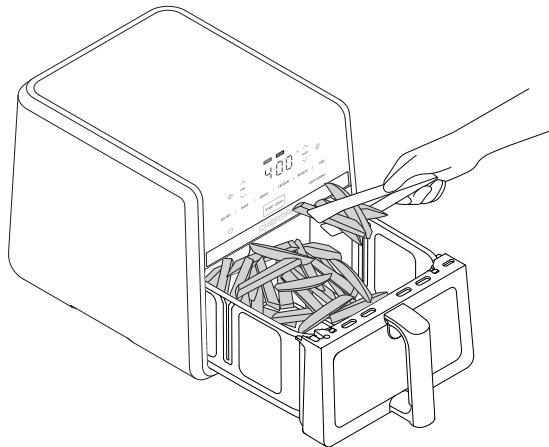


## Quick Start: How to Cook in the Air Fryer

2. Lower the rack into the basket, making sure the feet are pointing down. There should be a small amount of space between the rack and the bottom of the basket. Press down on the rack to ensure it is secure and level.  
**CAUTION:** Never use aerosol cooking spray on the air fryer's nonstick parts, as it can cause the coating to chip.



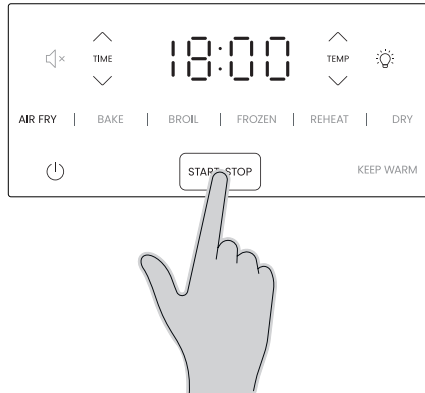
3. Place the food on the rack and slide the basket into the air fryer. To allow for good air circulation, do not fill the basket past the **MAX** line.



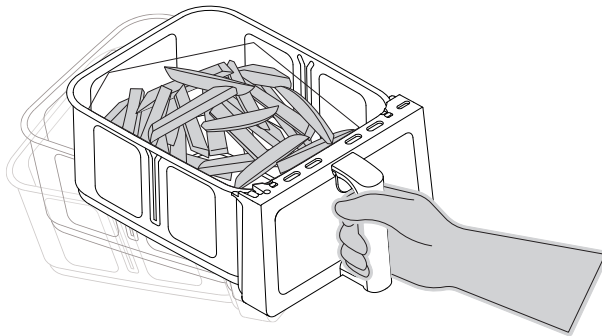


## Quick Start: How to Cook in the Air Fryer

- Choose a cooking function (see p. 12 for a description of the functions). Then set the temperature using the **TEMP** adjustment buttons and the time using the **TIME** adjustment buttons. Press **START** to begin cooking.



- Depending on your cook function, the **SHAKE** reminder light on the control panel may turn on and the unit beep halfway through the cook time. Remove the basket and shake (or flip) food, then return the basket to the unit to continue cooking. If your food does not need to be shaken, simply ignore the warning and it will turn off after about 60 seconds. **NOTE:** You can press the **Light** button OR remove the basket at any time during cooking to check on foods. When you return the basket to the unit, cooking will resume where it left off.



- When the timer is done, the air fryer will beep, cooking will stop, and the **READY** light will display. Remove the basket, check food for doneness, and serve.





# Cooking Functions at a Glance

The cooking functions make your TurboFry® way more versatile than the average air fryer. By varying the fan speed, time, and temperature, they let you bake, broil, reheat leftovers, and more. They represent average times and temperatures, so always check foods for doneness before serving.

Preset	Default Time	Temp Range	Fan Speed	Shake Reminder*
AIR FRY	15 minutes	300-450°F	100%	Yes, halfway through cook time.
BAKE	30 minutes	200-400°F	40%	No
BROIL	10 minutes	425-450°F	60%	Yes, halfway through cook time.
FROZEN**	30 minutes	300-400°F	60%	Yes, halfway through cook time.
REHEAT	5 minutes	300-425°F	80%	Yes, halfway through cook time.
DRY (DEHYDRATE)	30 minutes	90-200°F	20%	No

\* Shake reminder activates only if cook time is more than 5 minutes.

\*\* For even cooking, the Frozen function runs for first 5 minutes at 200°F, then increases to the selected temperature.

## Special Function: Keep Warm

The **KEEP WARM** button is available either from Standby mode or just as the cooking cycles finish (Ready mode). When activated, it holds the basket at a warm temperature (between 165°F and 200°F) until you're ready to serve, up to 30 minutes.

From Standby mode, press the **KEEP WARM** button; it will default to 165°F for 15 minutes, but you can use the time and temperature adjustment buttons to set it as you like. Then press **START | STOP**.

From Ready mode, press **KEEP WARM** and the warming cycle will begin immediately. You can still adjust the time and temperature as desired, no need to press **START | STOP**.

When ready to serve, turn off Keep Warm mode by pressing the **Power** button, or after 30 minutes it will turn off automatically.





# Cooking Tips

**Preheat the air fryer for 5 minutes, if you like.** While not necessary, preheating the unit will cook foods faster and promote crisp results. If the unit is cold, add a few minutes to your expected cooking time. **CAUTION:** Be careful when adding food after preheating, as the inside of the air fryer will be hot.

**For a crisp exterior, oil foods lightly.** Some foods, especially if fresh, benefit from being tossed with a little oil in a separate bowl before air frying. However, high-fat foods, like a well-marbled steak, or prepared foods usually require no additional oil.

**Avoid wet batters.** Loose batters, such as tempura or beer batter, should not be used in the air fryer, as the batter does not set quickly and will drip off the food. Instead, stick to thick, pasty batters or breaded foods like chicken nuggets.

**For baked goods that look their best,** we recommend using recipes developed specifically for air fryers rather than boxed mixes.

**Don't overcrowd the basket.** Too much food, especially if tightly packed, can inhibit browning and crisping. A better bet is to fry food in batches.

**Shake the basket during cooking for even cooking.** When air frying or cooking frozen food, a good shake is especially beneficial for smaller foods like french fries, onion rings, and chicken wings. For larger or more fragile foods, consider gently tossing or flipping for even results.

**Check on foods early.** Check foods on the earlier side of the cooking time to avoid overcooking. You can always slide the basket back in to continue cooking.

**Follow food-safety guidelines for doneness.** Because air fryer temperatures and food sizes can vary, do not rely exclusively on recipe timing when cooking food. Check foods for doneness against current safety guidelines before serving.





# Keep It Clean

With its nonstick coating and dishwasher-safe parts, the air fryer is super easy to clean.

1. Unplug the air fryer and let it cool completely before cleaning.
2. To remove the cooled rack from the basket, pull the rack straight up and out, using the center holes for easier handling. **CAUTION:** Do NOT lift the rack out of the basket when hot.
3. Wash the basket and rack with warm, soapy water, then rinse and dry well. The basket and rack are also top-rack dishwasher safe. Do NOT use glass cleaner on the basket window.
4. Wipe down the interior and exterior with a damp cloth. Do NOT put the unit in the dishwasher or submerge in water or any other liquid. Do NOT use abrasive cleansers, or you could damage the finishes.
5. Dry the unit and all accessories completely before storing.





# Having Trouble?

Problem	Likely Cause	Solution
Air-fried food isn't golden brown and crisp.	Food wasn't tossed in oil.	While you can air fry with no added oil, coating foods very lightly with oil (usually just ½ teaspoon per batch) helps guarantee crisp results. Preheating the air fryer also helps.
Food cooked unevenly.	Food was overcrowded in the basket; food was not shaken or flipped during cooking.	Fill the air fryer basket loosely with food to let air circulate. When air frying or cooking frozen food, shake, toss, or flip foods at least once during cooking for more even results.
Smoke is coming from the unit.	There is too much fat in the oven.	Avoid cooking very fatty foods, such as sausages, in the air fryer, and be sure the basket, rack, and interior of the unit are clean before cooking. Otherwise, contact Chefman Customer Support for assistance.
An error code displayed on the control panel.	If E3 displays, it means the air fryer has shut off due to overheat protection. If E1 or E2 displays, it means there is a malfunction that can't be fixed.	E3: Unplug the air fryer and allow it to cool fully. It should then operate normally. E1 or E2: please contact Chefman Customer Support.





# Terms & Conditions

## Limited Warranty

RJ Brands, LLC d/b/a Chefman® offers a limited 1-year Warranty (the “Warranty”) available on sales through authorized distributors and retailers only. Please note that this Warranty becomes valid from the date of initial retail purchase and that the Warranty is nontransferable and applies only to the original purchaser.

This Warranty is void without proof of purchase within the United States and Canada. Please be aware that this Warranty supersedes all other warranties and constitutes the entire agreement between the consumer and Chefman®. Any changes to the Terms and Conditions of this Warranty must be in writing, signed by a representative of Chefman®. No other party has the right or ability to alter or change the Terms and Conditions of this Warranty.

We may ask you to please submit, via email, photos and/or video of the issue you are experiencing. This is to help us better assess the matter and possibly offer a quick fix. Photos and/or video may also be required to determine Warranty eligibility.

We encourage you to register your product. Registering can make the Warranty process easier and can keep you informed of any updates or recalls on your product. To register, follow the directions on the Chefman® Warranty Registration page in the Chefman® User Guide. Please retain your proof of purchase even after registering. In the event that you do not have proof of your purchase date, we may declare your Warranty void or we may, at our sole discretion, apply the date of manufacture as the purchase date for purposes of this Warranty.





## Terms & Conditions

### What the Warranty Covers

- **Manufacturer Defects**

Chefman® products are warranted against defects in material and workmanship, under normal household use, for a period of 1 year from the date of purchase when used in accordance with the directions listed in the Chefman® User Guide. If your product does not work as it should, please contact Customer Support at [support@chefman.com](mailto:support@chefman.com) so that we may assist you.

### This Warranty Does Not Cover

- **Misuse**

Damage that occurs from neglectful or improper use of products, including, but not limited to, damage that occurs as a result of usage with incompatible voltage, regardless of whether the product was used with a converter or adapter. See Safety Instructions in the Chefman® User Guide for information on proper use of product;

- **Poor Maintenance**

General lack of proper care. We encourage you to take care of your Chefman® products so that you may continue to enjoy them. Please see Keep It Clean directions in this Chefman® User Guide for information on proper maintenance;

- **Commercial Use**

Damage that occurs from commercial use;

- **Normal Wear and Tear**

Damage or degradation expected to occur due to normal use over time;

- **Altered Products**

Damage that occurs from alterations or modifications by any entity other than Chefman® such as the removal of the rating label affixed to the product;

- **Catastrophic Events**

Damage that occurs from fire, floods, or natural disasters; or

- **Loss of Interest**

Claims of loss of interest or enjoyment.



## Terms & Conditions

For product information, please visit us at [Chefman.com](http://Chefman.com).

EXCEPT WHERE SUCH LIABILITY IS REQUIRED BY LAW, THIS WARRANTY DOES NOT COVER, AND CHEFMAN® SHALL NOT BE LIABLE FOR, INCIDENTAL, INDIRECT, SPECIAL, OR CONSEQUENTIAL DAMAGES, INCLUDING WITHOUT LIMITATION, DAMAGE TO, OR LOSS OF USE OF THE PRODUCT, OR LOST SALES OR PROFITS OR DELAY OR FAILURE TO PERFORM THIS WARRANTY OBLIGATION. THE REMEDIES PROVIDED HEREIN ARE THE EXCLUSIVE REMEDIES UNDER THIS WARRANTY, WHETHER BASED ON CONTRACT, TORT OR OTHERWISE.





# Warranty Registration

## What do I need to register my product?

- Contact Information
- Model Number (see example below)
- Proof of Purchase (online confirmation, receipt, gift receipt)
- Date Code (see example below)
- Access Code (see example below)

## CHEFMAN



Model/Modele: XXXXX  
 Conveyor toaster  
 120v~60hz 1800W  
 CONFORMS TO UL STD. 1026  
 CERTIFIED TO CSA STD.C22.2 No.64  
 CAUTION: DO NOT IMMERSE IN WATER  
 ATTENTION: NE PAS PLONGER DANS L'EAU  
 WARNING: TO PREVENT ELECTRIC SHOCK,  
 UNPLUG BEFORE CLEANING  
 PRÉAVIS: POUR ÉVITER LES CHOCS ÉLECTRIQUES,  
 DÉBRANCHEZ L'APPAREIL AVANT DE L'UTILISER  
 READ INSTRUCTIONS BEFORE USING  
 LISEZ LES INSTRUCTIONS AVANT DE L'UTILISER  
 HOUSEHOLD USE ONLY  
 POUR USAGE DOMESTIQUE SEULEMENT

Date Code:  
0000  
 Access Code:  
Xxxxxxx



**NOTE:** Label depicted here is an example.

Please see label on your product for actual model/date code/access code.

## How do I register my product?

All you need to do is fill out a simple Chefman® registration form. You can easily access the form in one of the two ways listed below:

- Visit [Chefman.com/register](http://Chefman.com/register).
- Scan the QR code to the right to access site.





**CHEFMAN.**

**TurboFry®**  
XL 9-Quart  
Air Fryer

RJ389TWV2SERIESUG091825

Chefman® is a registered trademark of RJ Brands, LLC.  
TurboFry® is a registered trademark of RJ Brands, LLC.

