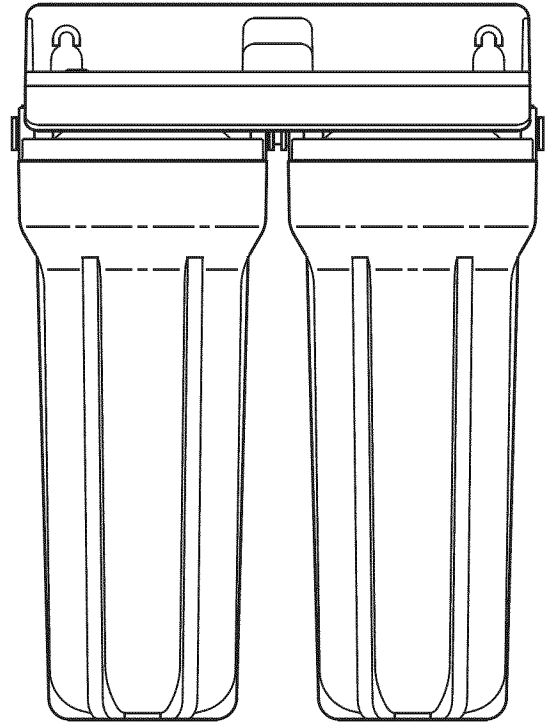


OWNER'S MANUAL



Two-Stage Drinking Water System

MODEL NO. 625.384610



Caution:

Read and follow all safety rules and operating instructions before first use of this product.

Questions ?

Visit www.KenmoreWater.com
or call toll free 1-800-426-9345 (M - F, 7 AM - 6 PM CST)

Repair or Parts ? Call toll free 1-800-469-4663

See back cover for other Sears service numbers.

SAVE THIS MANUAL

- Warranty
- Installation
- How It Works
- Care Of
- Specifications
- Repair Parts

System tested and certified by NSF International
against NSF/ANSI Standard 42.
See performance data sheet for details.



Sears Brands Management Corporation, Hoffman Estates, IL 60179 U.S.A.

Warranty

KENMORE ONE YEAR FULL WARRANTY

When installed, operated and maintained according to all supplied instructions, if this product fails due to a defect in material or workmanship within one year from the date of purchase, call 1-800-4-MY-HOME® to arrange for free repair (or replacement if repair proves impossible).

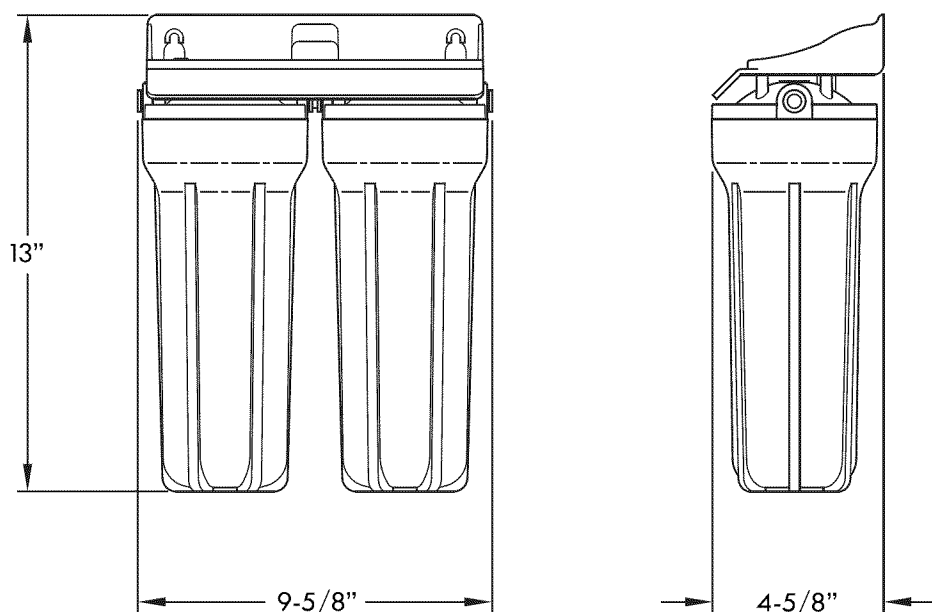
This warranty does not cover the filter cartridges, which are expendable items that can wear out from normal use within the warranty period.

This warranty applies only while this product is in use in the United States or Canada.

This warranty gives you specific legal rights, and you may also have other rights which vary from state to state.

Sears Brands Management Corporation, Hoffman Estates, IL 60179

Dimensions



Questions? Call The Kenmore Water Line 1-800-426-9345 or visit KenmoreWater.com

Table of Contents

Unpack and Check Shipment	4
Plan Your Installation	5
Step 1-Install Supply Water Fitting	6
Step 2-Install Filtered Water Faucet	7
Step 3-Connect Tubes	8
Maintenance	9-11
Specifications	12
Troubleshooting	12
Exploded View & Parts List	14-15

Safety Guides

- ▼ Read all steps and guides carefully before installing and using your Two-Stage Drinking Water Filter. Follow all steps exactly to correctly install. Reading this manual will also help you to get all the benefits from the Two-Stage Drinking Water Filter.
- ▼ Do not attempt to use this product to make safe drinking water from non-potable water sources. Do not use the system on microbiologically unsafe water, or water of unknown quality without adequate disinfection before or after the system.
- ▼ Check with your local public works department for plumbing and sanitation codes. You must follow their guides as you install the system. Follow your local codes if they differ with guides in this manual. In Massachusetts, plumbing codes of Massachusetts shall be adhered to. Consult with a licensed plumber.
- ▼ The Two-Stage Drinking Water Filter works on water pressures of 30 psi (minimum) to 100 psi (maximum). If your house water pressure is over the maximum, install a pressure reducing valve in the water supply pipe to the Two-Stage Drinking Water Filter.
- ▼ Do not install the Two-Stage Drinking Water Filter outside, or in extreme hot or cold temperatures. Temperature of the water supply to the Two-Stage Drinking Water Filter must be between 40°F and 100°F. Do not install on hot water.

Questions? Call The Kenmore Water Line 1-800-426-9345 or visit KenmoreWater.com

Unpack and Check Your Carton

INSPECT SHIPMENT

Your Two-Stage Drinking Water Filter is shipped complete in one carton. Remove all items from your shipping carton.

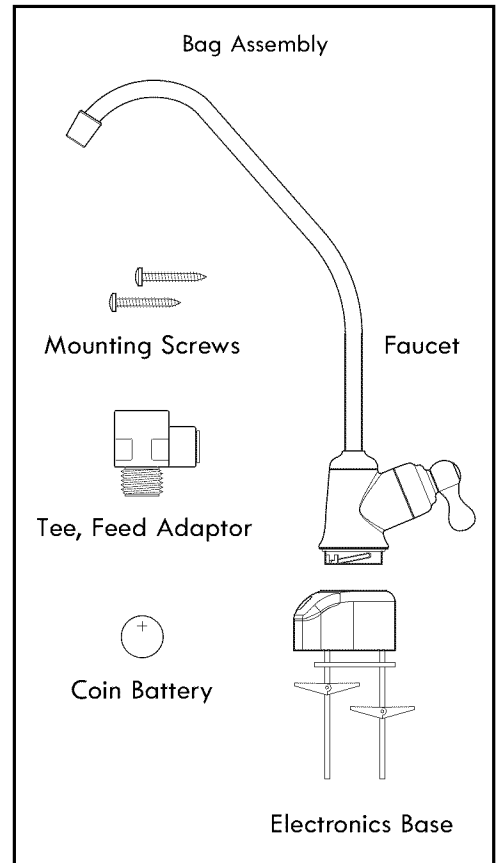
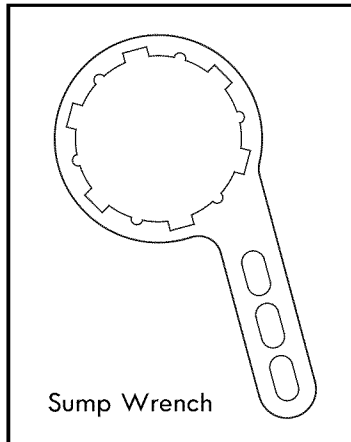
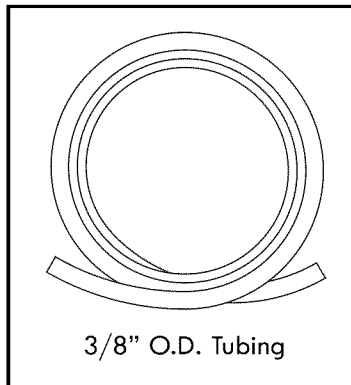
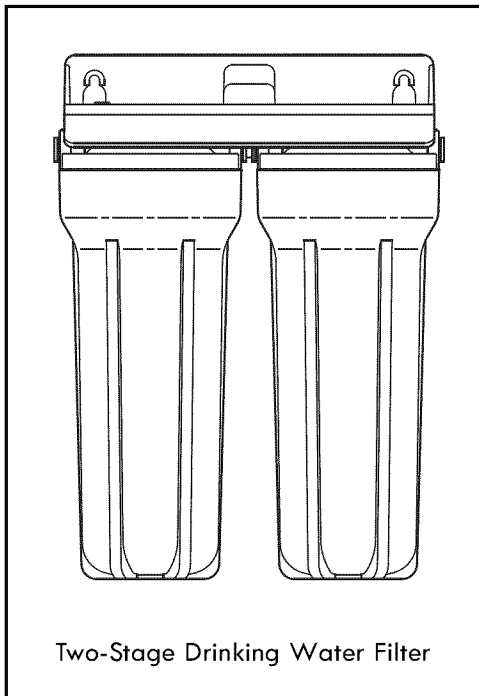
Check all items against the packing list below. Note any items lost or damaged in shipment. Note any damage to the shipping carton. Refer to the exploded view and parts list in the back of the manual for the part names and numbers of missing or damaged items. If problems exist, refer to the website or the toll free number listed throughout this manual.

Keep the small parts in the parts bag until you are ready to install them.

NOTE: Codes in the state of Massachusetts require installation by a licensed plumber.

If you live in the state of Massachusetts, review plumbing code 248-CMR of the Commonwealth of Massachusetts before proceeding with the installation.

Packing List



Questions? Call The Kenmore Water Line 1-800-426-9345 or visit KenmoreWater.com

Plan Your Installation

PLAN YOUR INSTALLATION

It is recommended to read through the entire manual before beginning your installation. Follow all steps exactly. Reading this manual will also help you get all the benefits from your system.

TYPICAL UNDER SINK LOCATION

The Advanced Two-Stage Drinking Water Filter housing is normally located under the kitchen and/or bathroom sink, to filter the cold drinking water. See Figure 2.

CHECK SPACE REQUIREMENTS

Check size and position of items for proper installation into location chosen.

TOOLS NEEDED

Review the tools needed list. See Figure 1. Gather needed tools before proceeding with the installation. Read and follow the instructions provided with any tools listed here.

IMPORTANT: A 1-1/4" dia. hole is needed to mount the filtered water faucet. To avoid damaging the sink, consult a qualified plumber or installer for drilling procedures in porcelain or stainless steel.

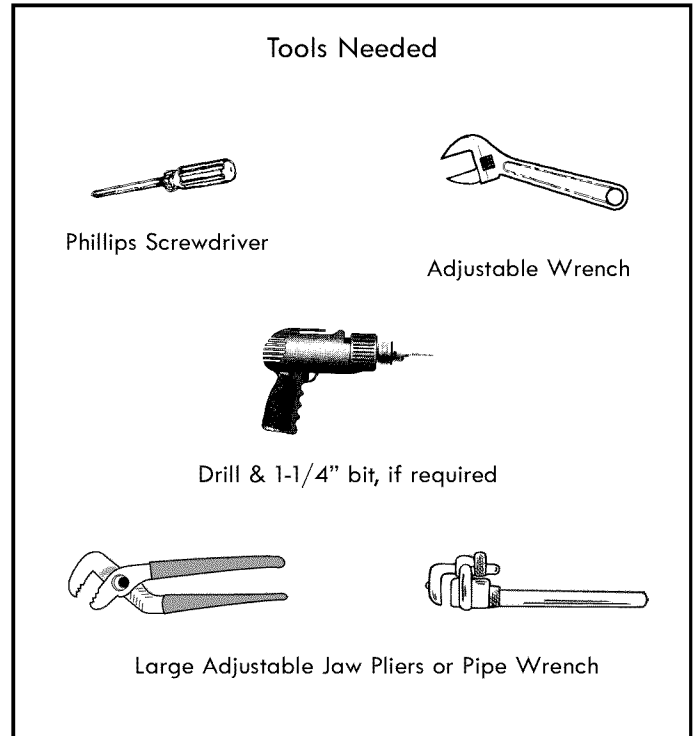
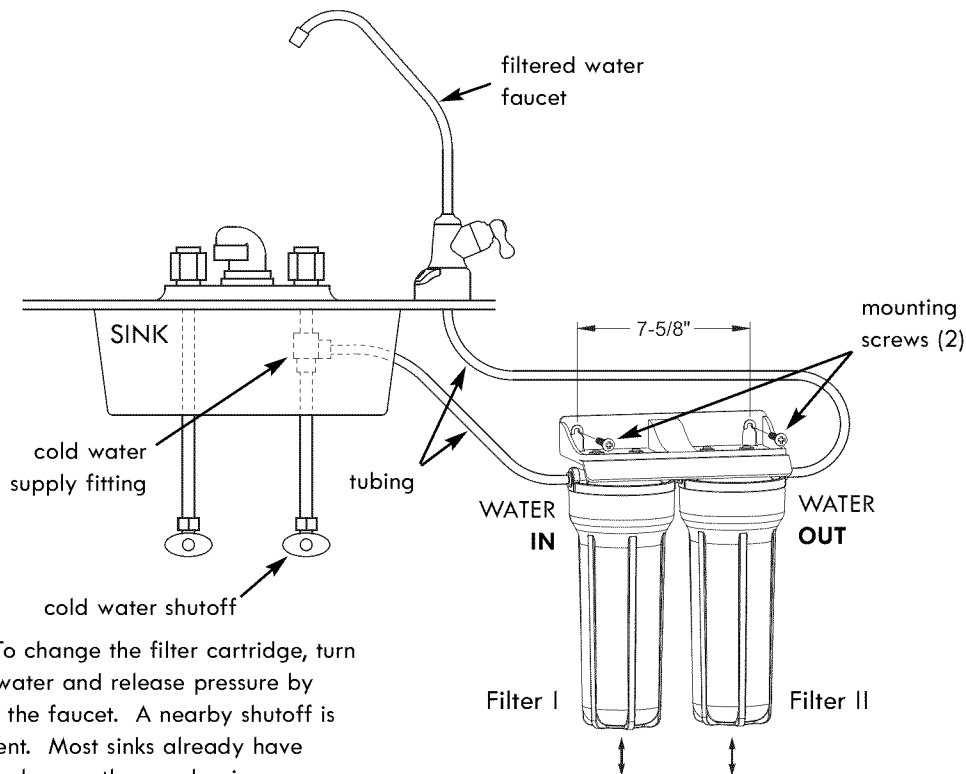


Figure 1

Typical Under Sink Installation



NOTE: To change the filter cartridge, turn off the water and release pressure by opening the faucet. A nearby shutoff is convenient. Most sinks already have shutoff valves on the supply pipes.

NOTE: Allow a minimum space of 1-1/2" under the system for removing the sumps (to change cartridges).

Figure 2

Questions? Call The Kenmore Water Line 1-800-426-9345 or visit KenmoreWater.com

Step 1 - Install Water Supply Fitting

CHOOSE TYPE OF WATER SUPPLY FITTING TO INSTALL

Locate the cold water line in the sink cabinet. Check and comply with local plumbing codes as you plan, and then install a water supply fitting on the sink's cold water line. The fitting must provide a leak-tight connection to the Two-Stage Drinking Water Filter's 3/8" O.D. inlet tubing. A typical connection using the included water supply fitting is shown in Fig. 3. An alternative connection using standard plumbing fittings (not included) is shown in Fig. 4.

NOTE: Local code may dictate which type of water fitting is used. Consult a plumber if you are not familiar with local codes or plumbing procedures.

NOTE: Codes in the state of Massachusetts require installation by a licensed plumber. If you live in the state of Massachusetts, review plumbing code 248-CMR of the Commonwealth of Massachusetts before proceeding with the installation.

A. WATER SUPPLY CONNECTION USING INCLUDED FITTING

1. Close the house main water shutoff valve and open faucets to drain water from the sink's cold water pipe.
2. Remove the nut that connects the cold water faucet to cold water plumbing.
3. Thread the included water supply fitting onto the pipe and reconnect nut to bottom of fitting.

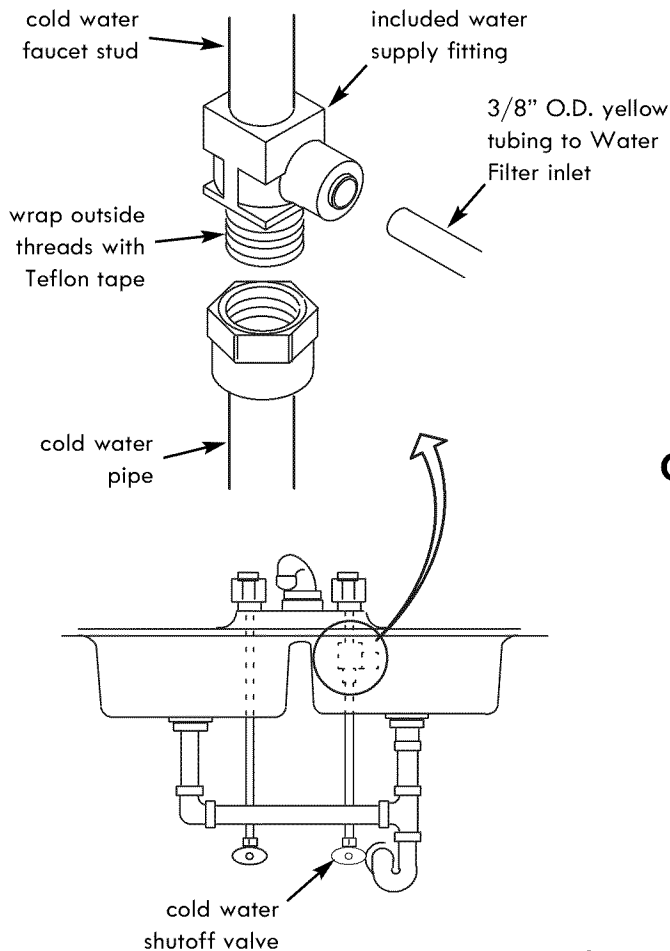


Figure 3

B. WATER SUPPLY TYPICAL CONNECTION USING COMPRESSION TYPE FITTING (PARTS NOT INCLUDED)

NOTE: Before starting, be sure to turn off water supply and open a low faucet to drain the pipe.

Complying with plumbing codes, install a fitting on the cold water pipe to adapt to 3/8" O.D. tubing. A typical connection is shown in Figure 4. If threaded fittings are used, be sure to use pipe joint compound or Teflon tape on outside threads.

OR

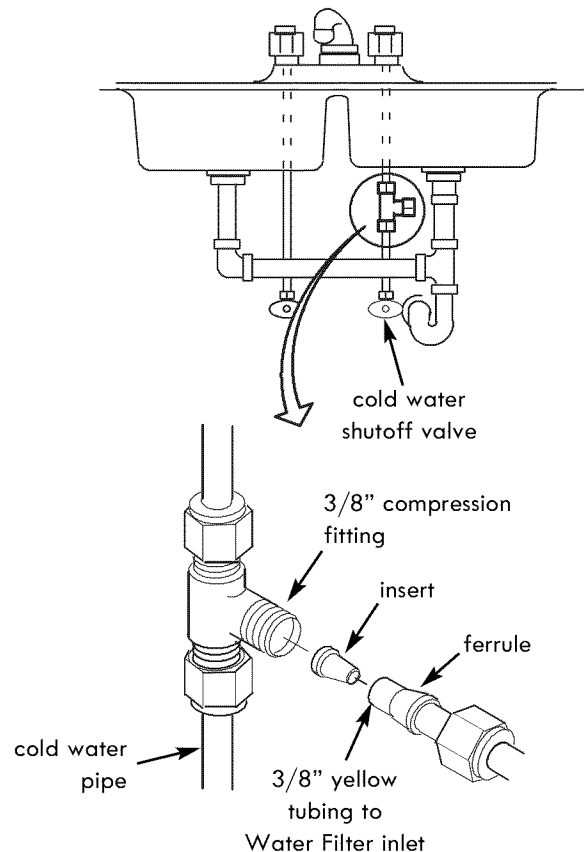


Figure 4

Step 2 - Install Filtered Water Faucet

MAKE HOLE FOR FAUCET

IMPORTANT: A 1-1/4" dia. hole is needed to mount the filtered water faucet. To avoid damaging the sink, consult a qualified plumber or installer for drilling procedures in porcelain or stainless steel.

1. Select one of the following options to install the faucet.
Make sure there is room underneath to make the needed connections.
 - Use an existing sink top hole for spray hose or soap dispenser (must be 1-1/4" in diameter).
 - Drill a new hole in the sink top.
 - Drill a hole in the countertop next to the sink.
2. Check to make sure the filtered water faucet base will sit flat against the mounting surface.
3. If drilling is needed, make a 1-1/4" dia. (minimum) hole for the faucet in the mounting surface.

INSTALL FAUCET BASE

1. Locate the faucet base (See Fig. 5) and feed the toggle bolts down through the hole until the faucet base is square against the mounting surface (sink or countertop). The rubber gasket should be between the faucet base and mounting surface.
2. Tighten the toggle bolts until the faucet base is firmly mounted to the surface. **Do not overtighten.**

CONNECT TUBE TO FAUCET

1. Mount the Two-Stage Drinking Water Filter assembly under the sink. Allow a minimum of 1-1/2" under the sumps for changing cartridges (See Fig. 2 on Page 5).
2. Locate the 3/8" O.D. tubing. Refer to the "Connect Tubes" section on Page 8 and insert one end of the tube all the way into the 3/8" quick connect fitting on the water OUT side of the filter assembly. See Figure 6.
3. Feed the other end of the tubing up through the mounting hole and faucet base. See Figure 6.
4. Refer to the "Cut Tubes to Length" section on Page 8 and cut the tube square and to length as needed, leaving about 6 inches above the faucet base.
5. Locate the faucet. Refer to the "Connect Tubes" section on Page 8 and insert the tube all the way into the 3/8" quick connect fitting on the faucet bottom.
6. Pull on the tube at each end to be sure it is held firmly in both of the quick connect fittings.

INSTALL FAUCET ON BASE

1. Lower the faucet onto the base. See Figure 7.
2. Give the faucet a 1/4 turn clockwise to attach the faucet to the base.
3. Install battery in faucet base (See "Change Battery" section on Page 9) then continue installation with Step 3 on Page 8.

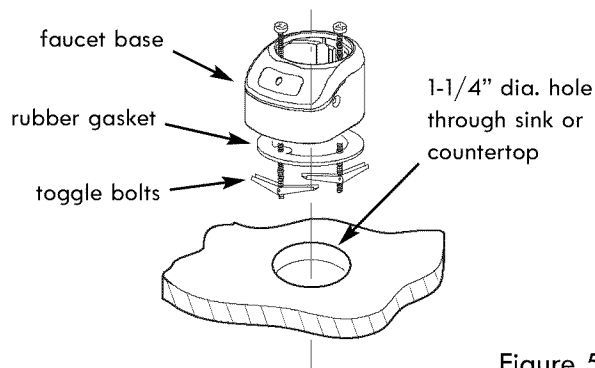


Figure 5

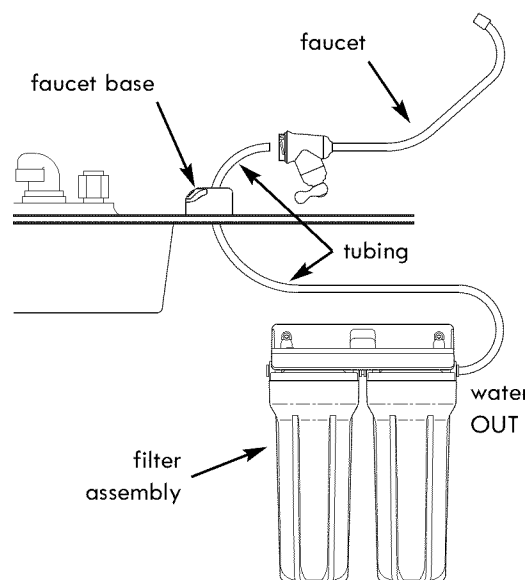


Figure 6

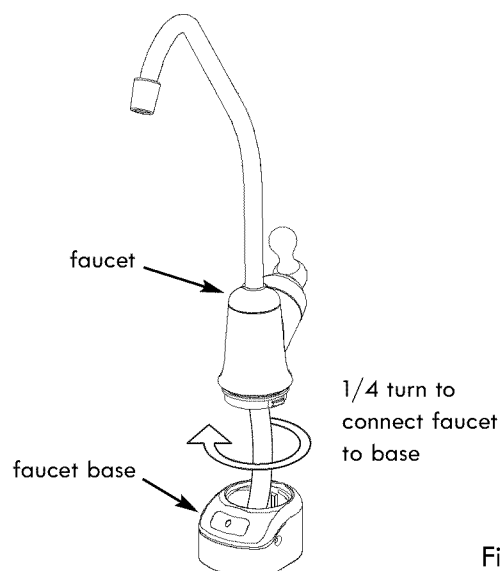


Figure 7

Step 3 - Connect Tubes

CONNECT TUBE TO WATER SUPPLY FITTING

1. Locate the remaining piece of 3/8" O.D. tubing. Refer to the "Connect Tubes" section, below, and insert one end of the tube all the way into the 3/8" quick connect fitting on the water IN side of the filter assembly. See Figure 8.
2. Run the other end to the water supply fitting on the cold water pipe. See Figure 8. Refer to the "Cut Tubes to Length" section, below, and cut the tube square and to length as needed.
3. Refer to the "Connect Tubes" section, below, and insert the tube all the way into the 3/8" quick connect fitting on included water supply fitting (installed in Step 1).
4. Pull on the tube at each end to be sure it is held firmly in both of the quick connect fittings.

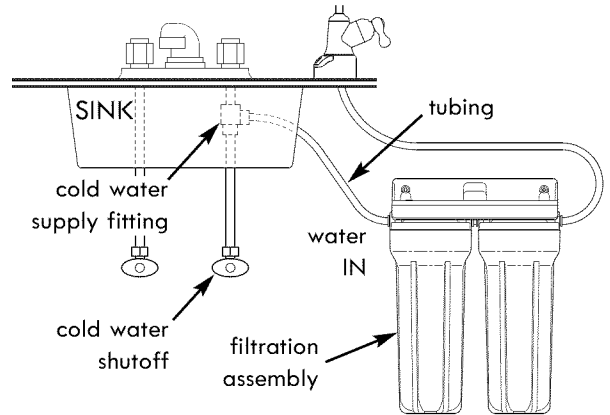


Figure 8

HOW TO CUT AND CONNECT THE TUBES

Your Two-Stage Drinking Water Filter includes push-in fittings for quick tubing connection. Review the following instructions before connecting the tubes.

Cut tubes to length

1. Use a sharp cutter or knife to cut the end of tubing. Always cut the tubing square. See Figure 10.
2. Inspect the end (about 1") of the tubing to be sure there are no nicks, scratches or other rough spots. If needed, cut the tubing again.

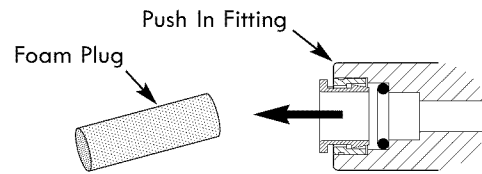
Connect tubes

NOTE: Remove protective foam plugs before connecting tubes (See Fig. 9). Discard foam plugs.

1. Push tubing through collet, until it engages the o-ring. See Figure 11A. Continue pushing until the tube bottoms out against the back of the fitting. See Figure 11B. A common mistake is to stop pushing when the tube engages the o-ring. This will lead to future leaks. When a 3/8" tube is fully engaged, 3/4" of the tube has entered the fitting. See Figures 11A & 11B.
2. If using tubing other than tubing supplied with the system, be sure it is of high quality, exact size and roundness with a smooth surface.

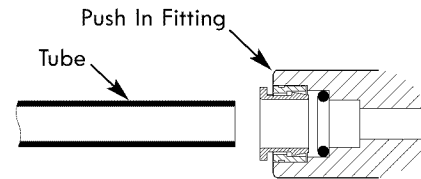
To disconnect tubes

1. Push the collet inward with a finger tip. See Figure 12.
2. Continue holding collet inward while pulling the tubing out.



Remove and Discard Foam Plug

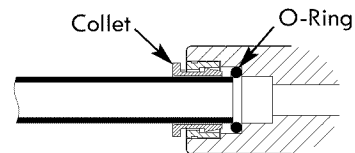
Figure 9



Cut tubing square with end of tubing round, smooth, with no cuts, nicks or flat spots.

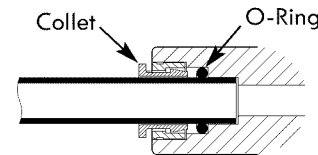
Tube Correctly Cut

Figure 10



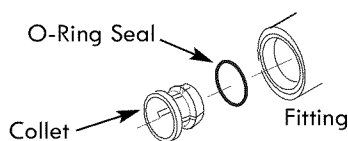
Tube Partially Engaged With Fitting

Figure 11A



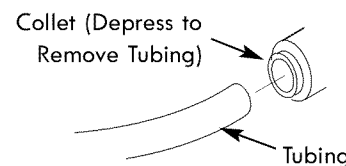
Tube Fully Engaged With Fitting

Figure 11B



Collet and O-Ring

Figure 13



Disconnect Tubing

Figure 12

Maintenance

FAUCET ELECTRONICS

Inside the faucet base is a battery operated 6 month timer. See Figure 14.

An amber LED indicator is also located in the front of the faucet base. This LED will flash continuously after 6 months has passed. This indicates that it is time to replace the battery and filter cartridges.

CHANGE BATTERY

To change (or install) the battery, complete the following steps.

1. Loosen the screw on the right side of the faucet base
See Figure 14.
2. Press the battery housing upwards from the front faucet base until it releases from the faucet base. See Figure 14.
3. Replace (or install) the battery (Maxell CR 2032 or equivalent). Place battery into the holder with the positive (+) side facing the back of the holder.
4. When the battery is first replaced it will flash six times and turn off. This indicates the battery is fully charged. After the six flashes, the timer enters the 6 month time cycle.

NOTE: If the LED repeatedly flashes just two times, it is not a fully charged battery and will need to be replaced.

5. Re-install the timer housing and firmly tighten the mounting screw. See Figure 14.

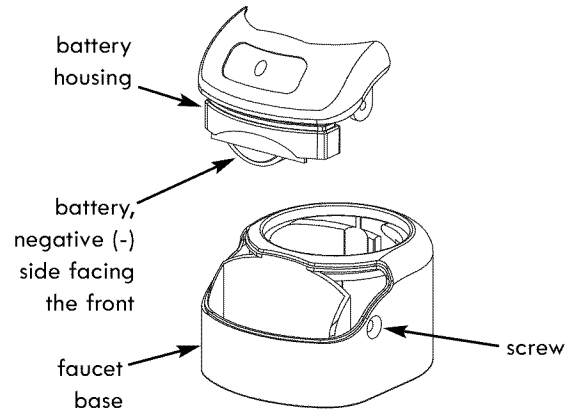


Figure 14

Maintenance

FILTER CARTRIDGE LIFE

It is recommended to replace the battery and filter cartridges every 6 months of use. There are several variables that determine how long a cartridge will last. These include:

1. How much water you use, and
2. How much sediment, taste and/or odor, or other unwanted substances, are in the water.

Use the following information as a guide. However no matter which type of cartridge you are using, you will know it is time to replace it when you first notice the return of unwanted substances in your water.

Kenmore Two-Stage Drinking Water Filter model 625.384610 with replacement cartridges 42-38480 (Sediment, 5 Micron)* and 42-34373 (Taste & Odor, Premium) has been tested and certified by NSF International for the reduction of chlorine taste and odor. The rated capacity for this system is 4,500 gallons (17,034 liters) at a rated service flow of 0.6 gpm (gallons per minute).

OPTIONAL CARTRIDGES

Other filter cartridges are available from Sears to reduce sediments, tastes and odors, and chemical contaminants. Following is a list of filter cartridges available:

Sediment Filter Cartridge, 25 Micron*: Sediment cartridges reduce sand, silt, clay, dirt and other sediments from water. Sears Item No. 42-38478 filters the larger sediments from water, and allows higher flows at less pressure drop.

Taste and Odor Cartridges: Many bad tastes and/or odors are reduced from water by an activated carbon cartridge. It is most often used to reduce chlorine taste and smell, usually to a single faucet such as the kitchen cold.

NOTE: Small amounts of hydrogen sulfide (noticeable as “rotten egg” odor) may be reduced by taste and odor filters for a short time, quickly exhausting the carbon media. Consult your Sears store for proper continuous treatment.

Sears Item No. 42-34370***: For reduction of chlorine taste and odor.

Sears Item No. 42-34365*: For 99% chlorine reduction, plus reduction of chemical contaminants.

Sears Item No.42-34377***: For reduction of lead, cysts, and chlorine taste and odor.

* These cartridges have not been performance tested and certified by NSF International.

** These cartridges have been performance tested and certified by NSF International in Model 625.384600.

Maintenance

FILTER CARTRIDGE REPLACEMENT

Complete the following steps to replace the cartridges:

CAUTION: Never remove sumps with water pressure in the filter system.

1. Close the water supply shutoff valve (See Fig. 2 on Page 5) to the filter. Open the filtered water faucet to relieve pressure in the system.
2. Use the sump removal wrench, included, to turn the sump to the left to loosen it from the filter head. Be careful - the sump is full of water. Do not lose the large o-ring seal.
3. Dispose of the old cartridge in a proper manner.
4. Make sure the inside of the sump is clean. Use hot, soapy water and rinse thoroughly.
5. Remove the wrapper from the new cartridge and insert filter cartridge into the sump. Some cartridges fit either way, while others fit only one way. Observe markings on the cartridge or wrapper.

NOTE: If you are using filter numbers 42-38480 and 42-34373, place filter 42-38480 (Sediment*) in the Filter I position and place filter 42-34373 (Taste & Odor) in the Filter II position (See Fig. 15).

6. Lightly lubricate the o-ring seal in the sump with silicone grease. Be sure it is fully seated in its groove.

7. Hold the sump up to the filter head, aligning the center hole in the cartridge with the protrusion on the bottom of the head.

NOTE: If the sump will not tighten up to the head, and you are using cartridges other than 42-38480 and 42-34373, you may have the cartridge in upside down. Take the cartridge out and check for correct orientation.

8. Being careful not to cross-thread, turn the sump to the right onto the filter head and tighten securely.
9. Repeat steps 2 through 8 for the other filter.
10. Open the filtered water faucet. Then, slowly open the water supply valve and allow the filter housing to fill.
11. Close the filtered water faucet. Check for leaks between the sumps and the heads.
12. Remove and replace the timer battery. See "Change Battery" on Page 9.

Taste and Odor Cartridges: A taste and odor cartridge contains activated carbon, a black powder. When new, open the filtered water faucet and allow fine carbon particles to purge from the cartridge. Close the faucet when you no longer see the "fines" (carbon particulates) in the filtered water, or approximately 10 minutes.

* This cartridge has not been performance tested and certified by NSF International.

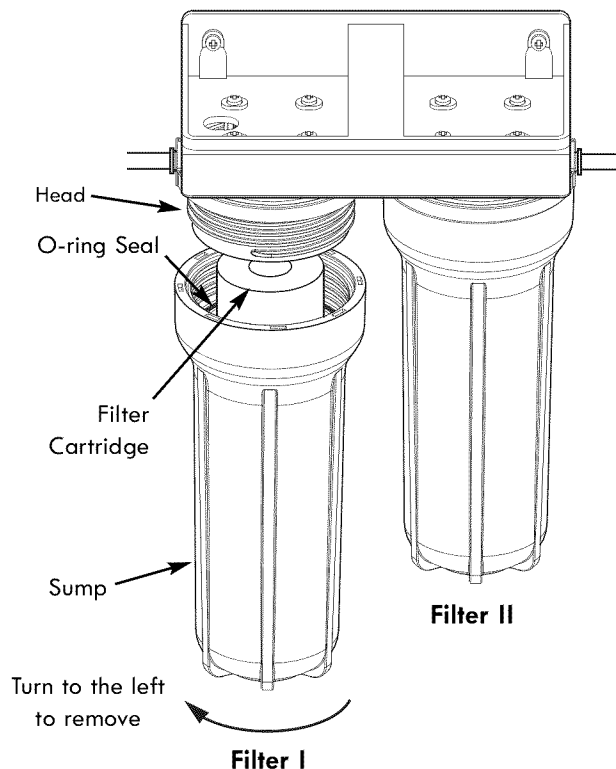


Figure 15

Questions? Call The Kenmore Water Line 1-800-426-9345 or visit KenmoreWater.com

Specifications

Supply water pressure limits 30-100 psi (207-689 kPa)
 Supply water temperature limits 40-100 °F (5-40 °C)
 Inlet - Outlet 3/8" Quick Connect fittings & tubing, included

This system conforms to NSF/ANSI 42 for the specific performance claims as verified and substantiated by test data.

Installations In The Commonwealth Of Massachusetts: The Commonwealth of Massachusetts requires installation be performed by a licensed plumber. Plumbing code 248--CMR of the Commonwealth of Massachusetts must be followed in these cases.

Troubleshooting

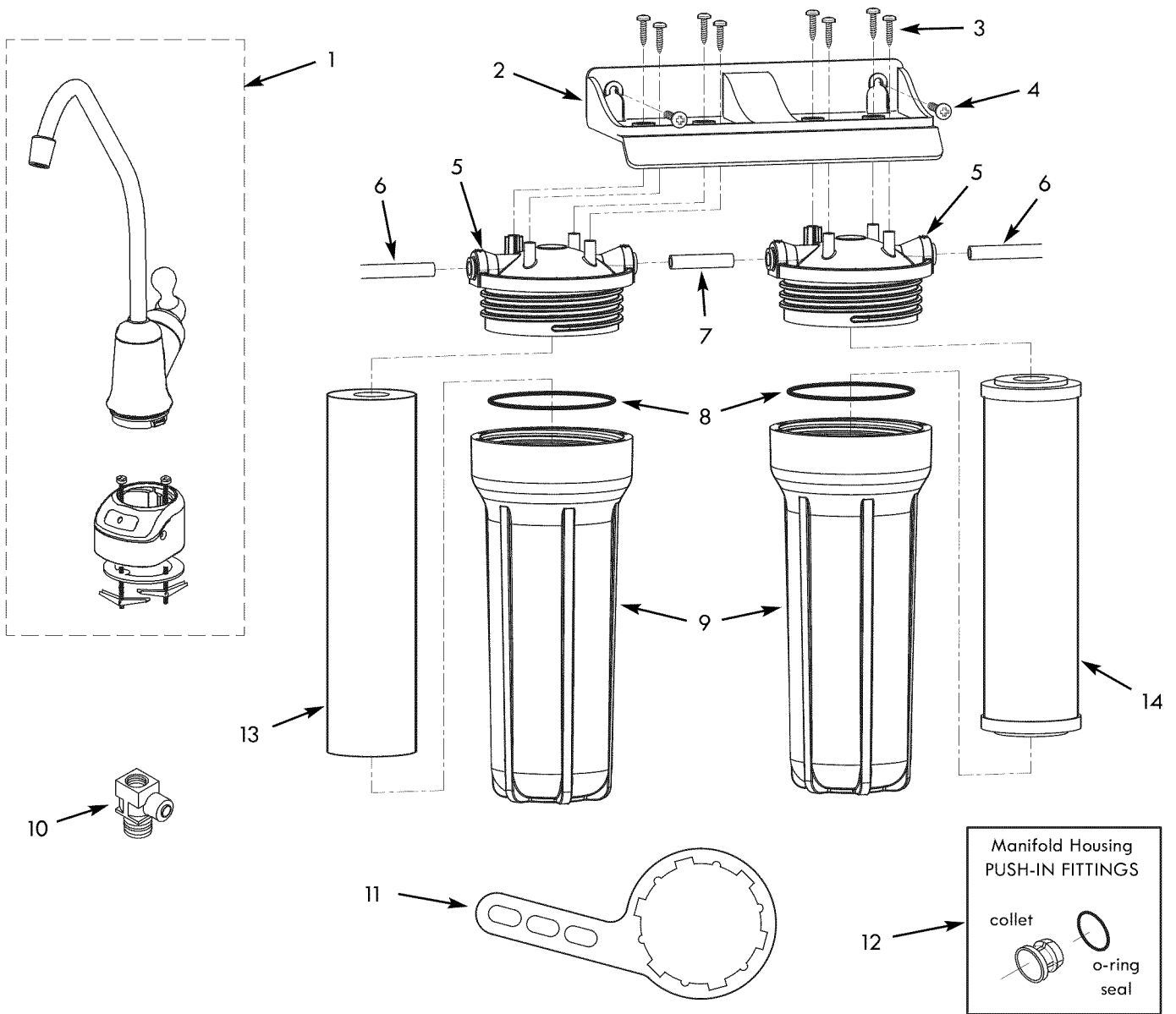
<i>Problem: Taste and/or Odor.</i>	
Cause: Filter cartridges expended.	Correction: Replace the filter cartridges. <i>See Pages 10 & 11.</i>
Cause: System contaminated.	Correction: Sanitize system. Call 1-800-426-9345 for instructions.
<i>Problem: Faucet LED indicator light does not function after battery change.</i>	
Cause: Battery dead.	Correction: Replace with new battery. <i>See Page 9.</i>
Cause: Battery installed incorrectly.	Correction: Install battery correctly.
<i>Problem: Water leaks at push connect fittings.</i>	
Cause: Tubing not pushed in all the way.	Correction: Push Tubing all the way into fittings. <i>See Page 8.</i>
Cause: Tubing not cut square.	Correction: Cut tubing square. <i>See Page 8.</i>
Cause: Tubing nicked.	Correction: Remove tube from connection. Remove nicked portion by cutting tube to shorter length. Reinsert in connection <i>See Page 8.</i>
Cause: Outer tubing surface not smooth.	Correction: Remove tube from connection. Remove problem area by cutting tube to shorter length. Reinsert in connection <i>See Page 8.</i>

Questions? Call The Kenmore Water Line 1-800-426-9345 or visit KenmoreWater.com

Notes

Questions? Call The Kenmore Water Line 1-800-426-9345 or visit KenmoreWater.com

Exploded View



Questions? Call The Kenmore Water Line 1-800-426-9345 or visit KenmoreWater.com

Repair Parts List

Key No.	Part No.	Description
1	7292674	Faucet, with base & electronics
2	7328352	Mounting Bracket
3	7160453	Screw, #10-12 x 3/4" (8 req.)
4	9006053	Screw, #10-16 AB (2 req.)
5	7314604	Head (2 req.)
6	7168435	Tubing, 3/8" O.D. x 72" long, White
7	7279040	Tube, 3/8" O.D. x 1.78" long, White
8	7170246	O-ring, 3-3/8" I.D. x 3-5/8" O.D. (2 req.)
9	7205596	Sump (2 req.)
10	7228536	Tee, Feed Adaptor
11	7193066	Wrench, Sump Removal
12	7209574	Push-in Fitting Kit, 3/8" ◆
■	7314183	Coin Battery
■	7293858	Owner's Manual
13	42-38480	Sediment Cartridge, 5 micron ●
14	42-34373	Taste & Odor Cartridge, Premium
*	42-38478	Sediment Cartridge, 25 micron ●
*	42-34370	Taste & Odor Cartridge ○
*	42-34365	Taste & Odor / Chemical Contaminant Cartridge ●
*	42-34377	Taste & Odor / Lead Cartridge ○

◆ O-ring and collet kit for replacement in the head only. Not included.

■ Not illustrated.

* Optional replacement cartridges available at your local Sears store, online at www.sears.com or from Sears Parts at 1-800-469-4663. Not included.

● These cartridges have not been performance tested and certified by NSF International.

○ These cartridges have been performance tested and certified by NSF International in Model 625.384600.

Questions? Call The Kenmore Water Line 1-800-426-9345 or visit KenmoreWater.com

Get it fixed, at your home or ours!

Your Home

For troubleshooting, product manuals and expert advice:



www.managemylife.com

For repair – **in your home** – of **all** major brand appliances, lawn and garden equipment, or heating and cooling systems, **no matter who made it, no matter who sold it!**

For the replacement parts, accessories and owner's manuals that you need to do-it-yourself.

For Sears professional installation of home appliances and items like garage door openers and water heaters.

1-800-4-MY-HOME[®] (1-800-469-4663)

Call anytime, day or night (U.S.A. and Canada)

www.sears.com www.sears.ca

Our Home

For repair of carry-in items like vacuums, lawn equipment, and electronics, call anytime for the location of your nearest

Sears Parts & Repair Service Center

1-800-488-1222 (U.S.A.)

1-800-469-4663 (Canada)

www.sears.com

www.sears.ca

To purchase a protection agreement on a product serviced by Sears:

1-800-827-6655 (U.S.A.)

1-800-361-6665 (Canada)

Para pedir servicio de reparación a domicilio, y para ordenar piezas:

1-888-SU-HOGAR[®]

(1-888-784-6427)

www.sears.com

Au Canada pour service en français:

1-800-LE-FOYER^{MC}

(1-800-533-6937)

www.sears.ca

The Sears logo, consisting of the word "sears" in a lowercase, serif font.

® Registered Trademark / TM Trademark of KCD IP, LLC in the United States, or Sears Brands, LLC in other countries

® Marca Registrada / TM Marca de Fábrica de KCD IP, LLC en Estados Unidos, o Sears Brands, LLC en otros países

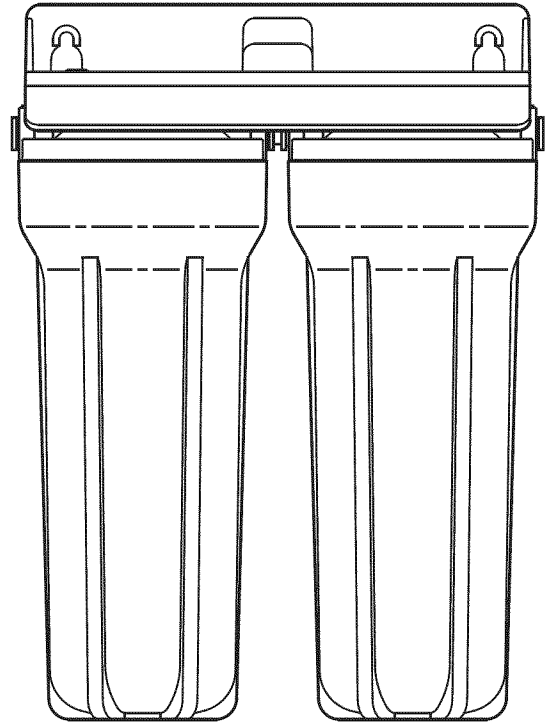
^{MC} Marque de commerce / ^{MD} Marque déposée de Sears Brands, LLC

MANUAL DEL PROPIETARIO



Sistema de dos etapas para agua potable

MODELO No. 625.384610



Precaución:

Antes de usar este producto por primera vez, lea y siga todas las reglas de seguridad y las instrucciones de operación.

¿Tiene preguntas?

Visite el sitio web www.KenmoreWater.com

o llame gratis al 1-800-426-9345

(lun. a vie., de 7 a.m. a 6 p.m., hora del Centro)

¿Necesita reparación o repuestos? Llame gratis al 1-800-469-4663

Vea otros números de servicio de Sears en la cubierta posterior.

- Garantía
- Instalación
- Cómo funciona
- Cómo cuidar el producto
- Especificaciones
- Piezas de repuesto

CONSERVE ESTE MANUAL

Este sistema ha sido probado y certificado por NSF International para el cumplimiento de la Norma NSF/ANSI 42. Consulte los detalles en la hoja de datos de rendimiento.



Sears Brands Management Corporation, Hoffman Estates, IL 60179 U.S.A.

Garantía

UN AÑO DE GARANTÍA TOTAL DE KENMORE

Cuando se haya instalado, operado y mantenido conforme a todas las instrucciones suministradas, si este producto fallara debido a defectos en materiales o mano de obra dentro de un año a partir de la fecha de compra, llame al 1-800-4-MY-HOME® para solicitar la reparación gratuita (o el reemplazo si se demuestra que es imposible repararlo).

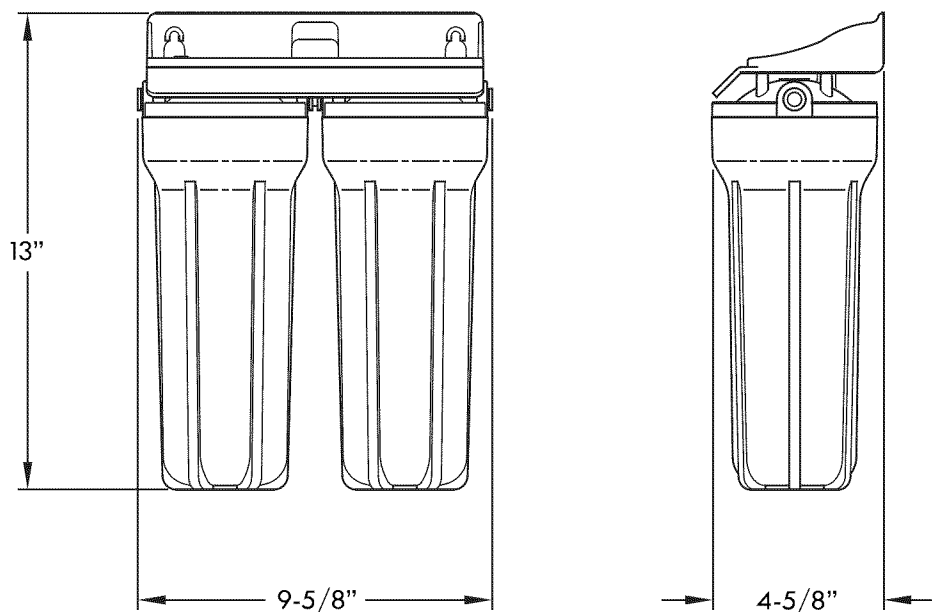
La presente garantía no cubre los cartuchos filtrantes, los cuales son artículos consumibles que pueden desgastarse a causa del uso normal dentro del período de la garantía.

Esta garantía se aplicará solamente mientras el producto se use en los Estados Unidos o Canadá.

Esta garantía le otorga derechos legales específicos, y es posible que usted también tenga otros derechos, los cuales varían de una jurisdicción a otra.

Sears Brands Management Corporation, Hoffman Estates, IL 60179

Dimensiones



¿Tiene preguntas? Llame a la línea de ayuda de Kenmore Water al 1-800-426-9345 o visite el sitio web KenmoreWater.com.

Contenido

Desempaque y revise el envío4
Planee la instalación5
Paso 1: Instale la unión para el suministro de agua6
Paso 2: Instale el grifo para el agua filtrada7
Paso 3: Conecte los tubos8
Mantenimiento9-11
Especificaciones12
Solución de problemas12
Vista detallada y lista de piezas14-15

Pautas de seguridad

- ▼ Antes de instalar y usar el filtro de dos etapas para agua potable, lea atentamente todos los pasos y las pautas. Siga exactamente todos los pasos para lograr la instalación correcta. Leer este manual también lo ayudará a obtener todos los beneficios del filtro de dos etapas para agua potable.
- ▼ No intente utilizar este producto a fin de potabilizar agua proveniente de fuentes no potables. Si el agua es microbiológicamente impura o si se desconoce su calidad, no use el sistema sin una adecuada desinfección antes o después del sistema.
- ▼ Consulte los códigos de plomería y sanidad a su departamento local de obras públicas. Al instalar el sistema deberá seguir las pautas que le indiquen. Siga sus códigos locales si difieren con las pautas del presente manual. En el Estado de Massachusetts, se debe cumplir con los códigos de plomería Massachusetts. Consulte a un plomero con licencia.
- ▼ El filtro de dos etapas para agua potable funciona con presiones de agua de 30 psi (mínima) a 100 psi (máxima). Si la presión del agua de su casa supera la máxima, instale una válvula reductora de presión en la línea de suministro de agua al filtro de dos etapas para agua potable.
- ▼ No instale el filtro de dos etapas fuera de la casa ni bajo temperaturas extremadamente calientes o frías. La temperatura del suministro de agua al filtro de dos etapas debe estar entre 40 °F y 100 °F (4 °C y 38 °C). No lo instale en tuberías de agua caliente.

¿Tiene preguntas? Llame a la línea de ayuda de Kenmore Water al 1-800-426-9345 o visite el sitio web KenmoreWater.com.

Desempaque y revise el contenido de la caja

INSPECCION EL ENVÍO

El filtro de dos etapas para agua potable se envía completo en una caja de cartón. Retire todos los artículos de la caja de cartón del envío.

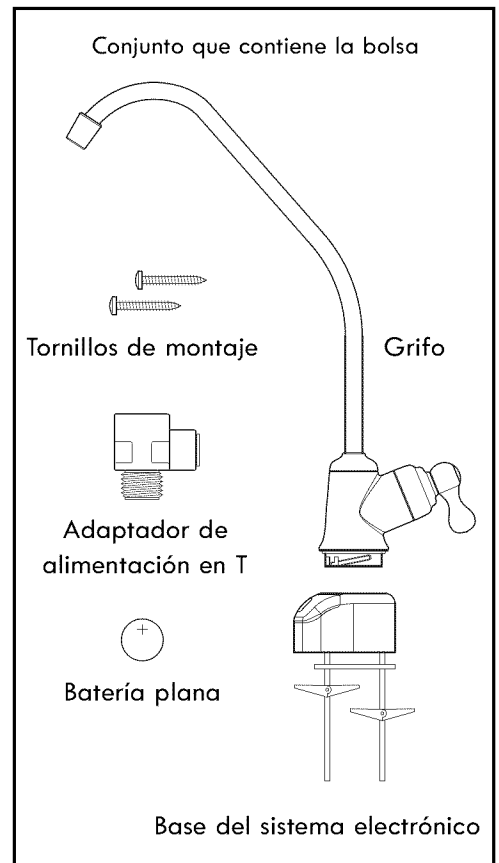
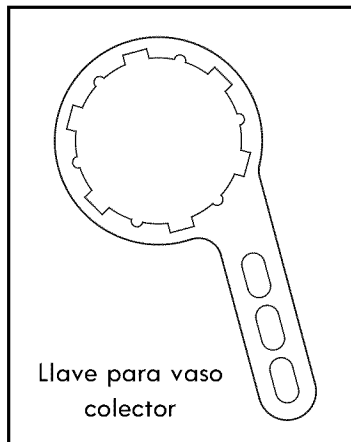
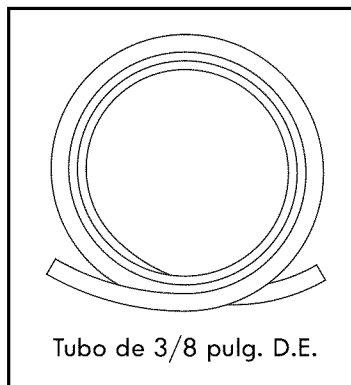
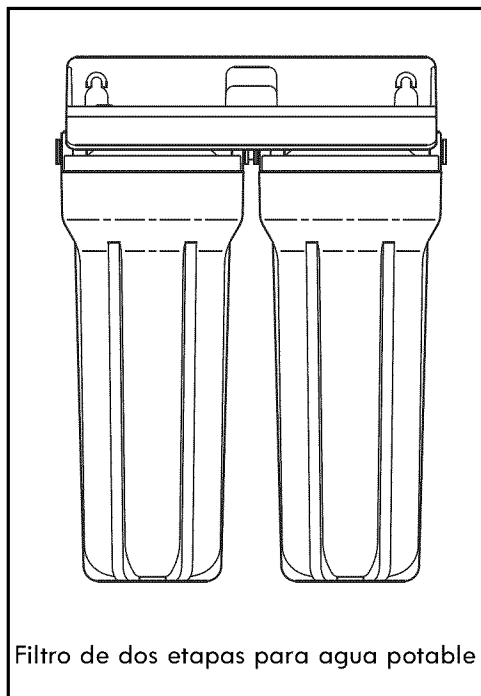
Revise todos los artículos contra la lista de empaque que figura a continuación. Tome nota de todo artículo faltante o dañado durante el envío. Tome nota de cualquier daño en la caja del envío. Consulte la vista detallada y la lista de piezas que están en la parte posterior del manual para tomar nota de los nombres y los números de los artículos faltantes o dañados. Si hubiera problemas, consulte el sitio web o llame al número telefónico gratuito que figura en todo este manual.

Conserve las piezas pequeñas dentro de la bolsa de piezas hasta que esté listo para instalarlas.

NOTA: Los códigos del Estado de Massachusetts requieren que un plomero con licencia realice la instalación.

Si vive en Massachusetts, examine el código de plomería 248-CMR del Estado de Massachusetts antes de instalar el producto.

Lista de empaque



¿Tiene preguntas? Llame a la línea de ayuda de Kenmore Water al 1-800-426-9345 o visite el sitio web KenmoreWater.com.

Planee la instalación

PLANEE LA INSTALACIÓN

Se recomienda leer todo el manual antes de comenzar la instalación. Siga los pasos exactamente como se indican. Leer este manual también lo ayudará a obtener todos los beneficios del sistema.

UBICACIÓN TÍPICA DEBAJO DEL FREGADERO

La caja del filtro avanzado de dos etapas para agua potable se ubica normalmente debajo del fregadero de la cocina o del baño para filtrar agua potable fría. Vea la Figura 2.

REVISE LOS REQUISITOS DE ESPACIO

Revise el tamaño y la posición de los artículos para instalarlos correctamente en la ubicación deseada.

HERRAMIENTAS NECESARIAS

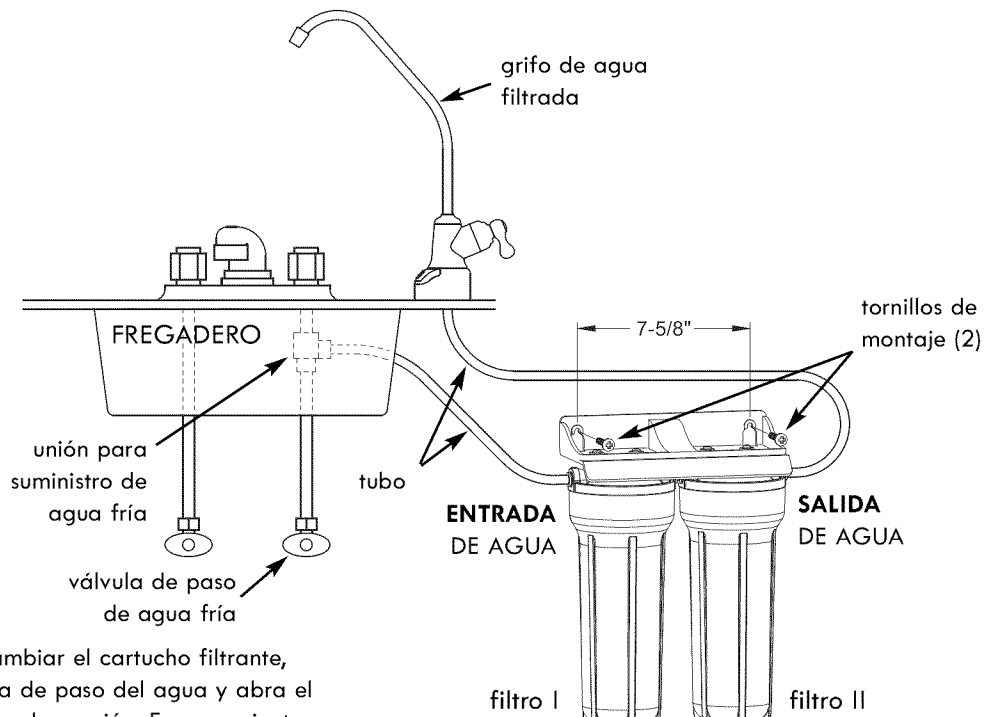
Examine la lista de herramientas necesarias. Vea la Figura 1. Reúna las herramientas necesarias antes de comenzar la instalación. Lea y siga las instrucciones proporcionadas para toda herramienta mencionada aquí.

IMPORTANTE: Se necesita un orificio de 1-1/4 pulg. (32 mm) para montar el grifo de agua filtrada. Consulte a un plomero o instalador calificado sobre los procedimientos de perforación en porcelana o acero inoxidable para evitar dañar el fregadero.



Figura 1

Instalación típica debajo del fregadero



NOTA: Para cambiar el cartucho filtrante, cierre la válvula de paso del agua y abra el grifo para aliviar la presión. Es conveniente que haya una válvula de paso cerca. Casi todos los fregaderos ya incluyen válvulas de paso en las líneas de suministro.

NOTA: Deje un espacio mínimo de 1-1/2 pulg. (38 mm) debajo del sistema para retirar los vasos colectores (a fin de cambiar los cartuchos).

Figura 2

¿Tiene preguntas? Llame a la línea de ayuda de Kenmore Water al 1-800-426-9345 o visite el sitio web KenmoreWater.com.

Paso 1: Instale la unión para el suministro de agua

ESCOJA EL TIPO DE UNIÓN PARA EL SUMINISTRO DE AGUA A INSTALAR

Encuentre la tubería de agua fría dentro del gabinete del fregadero. Al planear la instalación, consulte los códigos locales de plomería y cúmplalos; luego instale una unión para suministro de agua en la tubería de agua fría del fregadero. La unión debe proporcionar una conexión a prueba de fugas para el tubo de entrada de 3/8 pulg. D.E. del filtro de dos etapas para agua potable. En la Fig. 3. se ilustra una conexión típica con la unión para suministro de agua que se incluye. En la Fig. 4. se ilustra una conexión alternativa con uniones estándar de plomería (no incluidas).

NOTA: Es posible que el código local determine el tipo de unión de plomería a usarse. Si no conoce los códigos o los procedimientos de plomería locales, consulte a un plomero.

NOTA: Los códigos del Estado de Massachusetts requieren que un plomero con licencia realice la instalación.

Si vive en Massachusetts, examine el código de plomería 248-CMR del Estado de Massachusetts antes de instalar el producto.

A. CONEXIÓN DEL SUMINISTRO DE AGUA CON LA UNIÓN INCLUIDA

1. Cierre la válvula principal de agua de la casa y abra los grifos para desaguar la tubería de agua fría del fregadero.
2. Retire la tuerca que conecta el grifo de agua fría con la tubería de agua fría.
3. Enrosque la unión (que se incluye) para suministro de agua en el tubo y vuelva a enroscar la tuerca a la parte inferior de la unión.

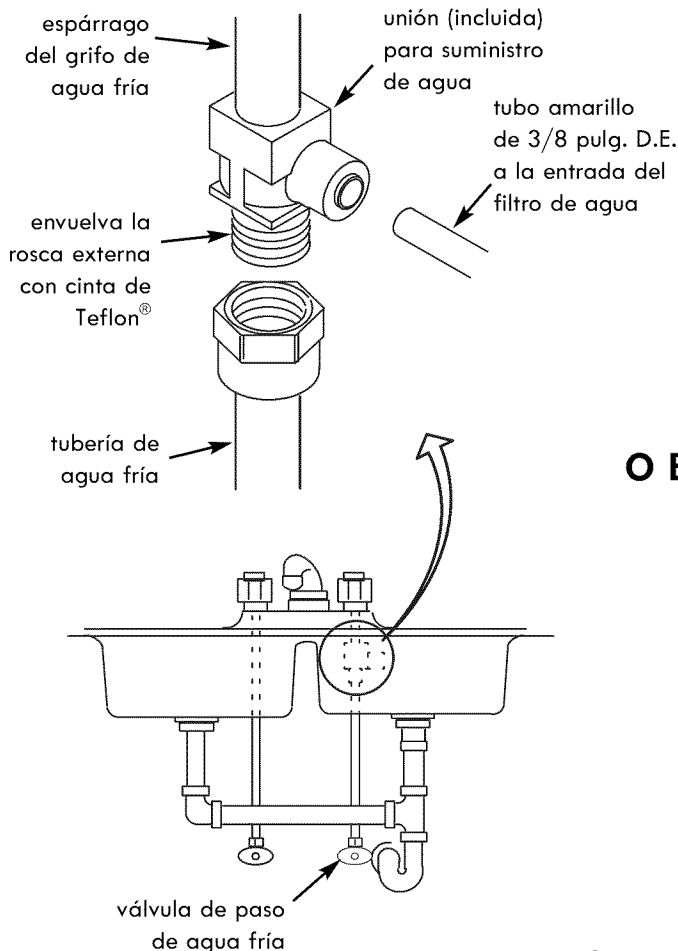


Figura 3

B. CONEXIÓN TÍPICA DEL SUMINISTRO DE AGUA CON UNIÓN DE COMPRESIÓN (NO SE INCLUYEN LAS PIEZAS)

NOTA: Antes de comenzar, no olvide cerrar el suministro de agua y abrir un grifo bajo para desaguar la tubería.

En cumplimiento de los códigos de plomería, instale una unión en la tubería de agua fría para adaptarla al tubo de 3/8 pulg. D.E. En la Figura 4 se ilustra una conexión típica. Si se usan uniones roscadas, no olvide aplicar compuesto para juntas de tubería o cinta de Teflon® en la rosca externa.

O BIEN

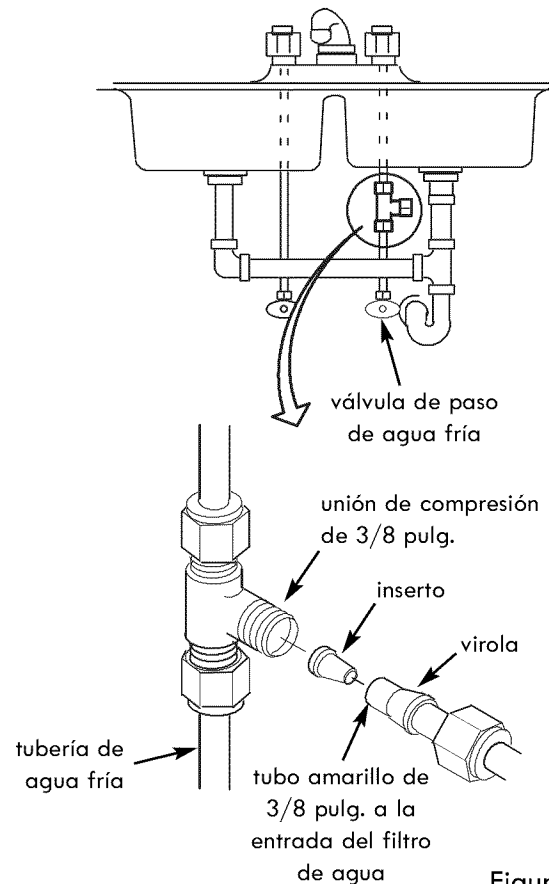


Figura 4

¿Tiene preguntas? Llame a la línea de ayuda de Kenmore Water al 1-800-426-9345 o visite el sitio web KenmoreWater.com.

Paso 2: Instale el grifo para el agua filtrada

HAGA EL ORIFICIO PARA EL GRIFO

IMPORTANTE: Se necesita un orificio de 1-1/4 pulg. (32 mm) para montar el grifo de agua filtrada. Consulte a un plomero o instalador calificado sobre los procedimientos de perforación en porcelana o acero inoxidable para evitar dañar el fregadero.

1. Seleccione una de las siguientes opciones para instalar el grifo. Cerciérese de que haya suficiente espacio debajo del fregadero para las conexiones necesarias.
 - Use un orificio existente para manguera de rociador o dispensador de jabón líquido (debe tener 1-1/4 pulg. [32 mm] de diámetro).
 - Haga un nuevo orificio en la parte superior del fregadero.
 - Haga un orificio en la encimera junto al fregadero.
2. Compruebe que la base del grifo de agua filtrada quede bien asentada contra la superficie de montaje.
3. Si es necesario taladrar, haga un orificio de 1-1/4 pulg. (32 mm) de diámetro, como mínimo, sobre la superficie de montaje para el grifo.

INSTALE LA BASE DEL GRIFO

1. Encuentre la base del grifo (vea la Fig. 5) y haga pasar los pernos de palanca hacia abajo por el orificio hasta que la base del grifo se apoye horizontalmente sobre la superficie de montaje (el fregadero o la encimera). La empaquetadura de caucho debe quedar entre la base del grifo y la superficie de montaje.
2. Apriete los pernos de palanca hasta que la base del grifo quede firmemente montada sobre la superficie. **No apriete excesivamente.**

CONECTE EL TUBO AL GRIFO

1. Coloque la caja del filtro de dos etapas para agua potable debajo del fregadero. Deje un espacio mínimo de 1-1/2 pulg. (38 mm) debajo de los vasos colectores para cambiar los cartuchos. (Vea la Fig. 2 en la pág. 5.)
2. Encuentre el tubo de 3/8 pulg. D.E. Consulte la sección titulada "Conecte los tubos" en la página 8 e inserte totalmente un extremo del tubo en la unión de conexión rápida de 3/8 pulg. del lado de SALIDA del agua en la caja del filtro. Vea la Figura 6.
3. Haga pasar el otro extremo del tubo hacia arriba por el orificio de montaje y la base del grifo. Vea la Figura 6.
4. Consulte la sección titulada "Corte los tubos a la medida" en la página 8, y corte el tubo en ángulo recto y en la longitud necesaria, dejando aproximadamente 6 pulgadas (15 cm) por encima de la base del grifo.
5. Encuentre el grifo. Consulte la sección titulada "Conecte los tubos" en la página 8 e inserte totalmente el tubo en la unión de conexión rápida de 3/8 pulg. de la parte inferior del grifo.
6. Tire de ambos extremos del tubo para comprobar que quede firmemente acoplado a ambas uniones de conexión rápida.

INSTALE EL GRIFO SOBRE LA BASE

1. Apoye el grifo sobre la base. Vea la Figura 7.
2. Haga girar el grifo 1/4 de vuelta a la derecha para acoplarlo a la base.
3. Instale la batería en la base del grifo. (Consulte la sección titulada "Cambie la batería" en la página 9.) Luego prosiga con el Paso 3 de la instalación en la página 8.

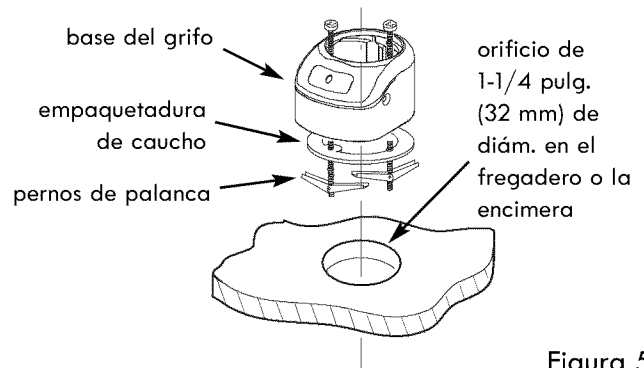


Figura 5

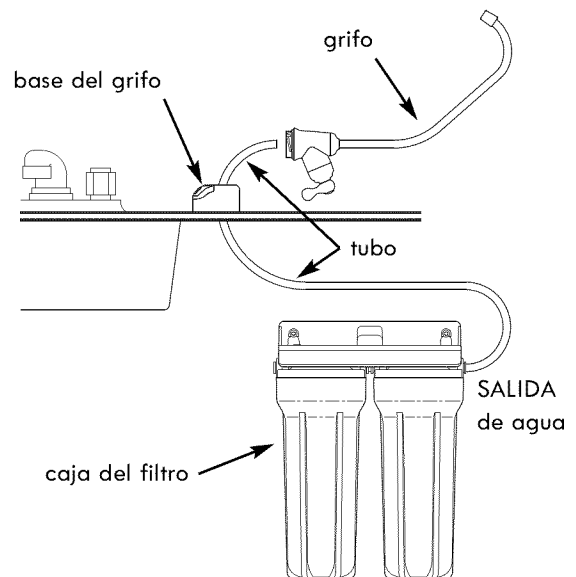


Figura 6

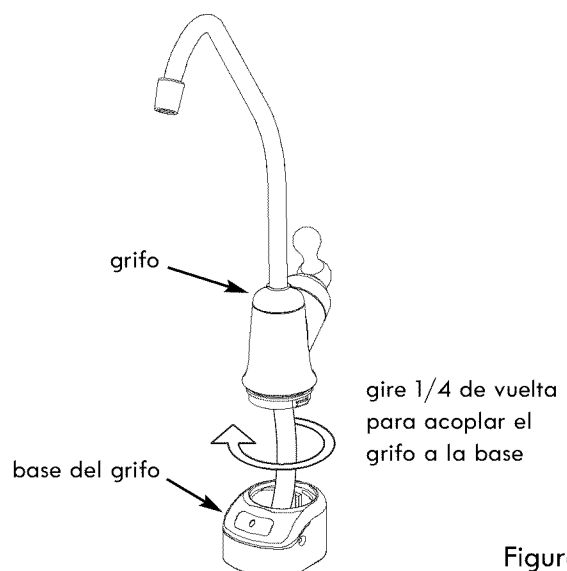


Figura 7

¿Tiene preguntas? Llame a la línea de ayuda de Kenmore Water al 1-800-426-9345 o visite el sitio web KenmoreWater.com.

Paso 3: Conecte los tubos

CONECTE EL TUBO A LA UNIÓN PARA SUMINISTRO DE AGUA

1. Encuentre el resto del tubo de 3/8 pulg. D.E. Consulte más abajo la sección titulada "Conecte los tubos" e inserte totalmente un extremo del tubo en la unión de conexión rápida de 3/8 pulg. del lado de ENTRADA del agua en la caja del filtro. Vea la Figura 8.
2. Tienda el otro extremo hasta la unión para suministro de agua en la tubería de agua fría. Vea la Figura 8. Consulte más abajo la sección titulada "Corte los tubos a la medida", y corte el tubo en ángulo recto y en la longitud necesaria.
3. Consulte más abajo la sección titulada "Conecte los tubos", e inserte totalmente el tubo en la unión de conexión rápida de 3/8 pulg. de la unión para suministro de agua (instalada en el Paso 1).
4. Tire de ambos extremos del tubo para comprobar que quede firmemente acoplado a ambas uniones de conexión rápida.

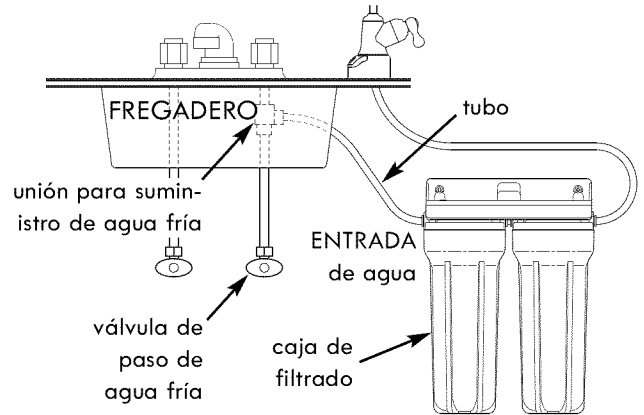


Figura 8

CÓMO CORTAR Y CONECTAR LOS TUBOS

El filtro de dos etapas para agua potable incluye uniones de presión para la conexión rápida de los tubos. Antes de conectar los tubos, examine las siguientes instrucciones.

Corte los tubos a la medida

1. Use un cortador o cuchillo filoso para cortar el extremo del tubo. Siempre corte el tubo en ángulo recto. Vea la Figura 10.
2. Inspeccione el extremo del tubo (aproximadamente de 1 pulg. o 25 mm) para cerciorarse de que no haya mellas, raspaduras ni ninguna otra sección desapareja. Si es necesario, vuelva a cortar el tubo.

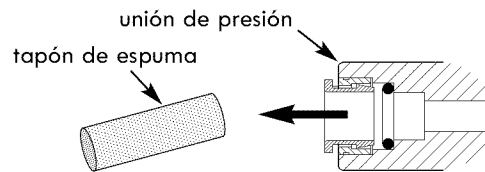
Conecte los tubos

NOTA: Retire los tapones de espuma antes de conectar los tubos (Vea la Fig. 9). Elimine los tapones de espuma.

1. Haga pasar el tubo por el collarín, hasta que se acople al aro tórico. Vea la Figura 11A. Siga empujando el tubo hasta que sobresalga por la parte posterior de la unión. Vea la Figura 11B. Un error común es dejar de empujar cuando el tubo se acopla al aro tórico. Eso producirá fugas en el futuro. Cuando un tubo de 3/8 pulg. está totalmente acoplado, 3/4 pulg. del tubo ha entrado en la unión. Vea las Figuras 11A y 11B.
2. Si usa algún tubo que no es el incluido en el sistema, cerciórese de que sea de alta calidad, de exactamente el mismo tamaño y redondez, y que la superficie sea lisa.

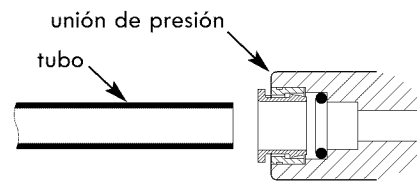
Para desconecte los tubos

1. Empuje el collarín hacia dentro con la punta de un dedo. Vea la Figura 12.
2. Siga manteniendo el collarín apretado hacia dentro mientras tira del tubo hacia fuera.



Retire y elimine los tapones de espuma

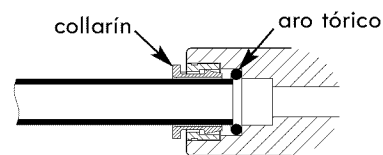
Figura 9



Corte el tubo en ángulo recto; el extremo del mismo debe quedar redondo y liso, sin cortes, mellas ni perfiles planos.

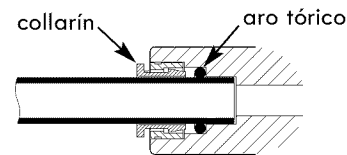
Tubo cortado correctamente

Figura 10



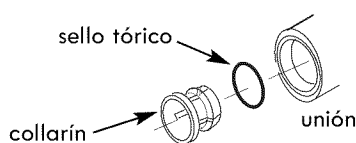
Tubo parcialmente acoplado a la unión

Figura 11A



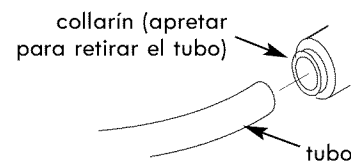
Tubo totalmente acoplado a la unión

Figura 11B



collarín y sello tórico

Figura 13



Desconecte el tubo

Figura 12

¿Tiene preguntas? Llame a la línea de ayuda de Kenmore Water al 1-800-426-9345 o visite el sitio web KenmoreWater.com.

Mantenimiento

SISTEMA ELECTRÓNICO DEL GRIFO

Dentro de la base del grifo hay un temporizador a batería para 6 meses. Vea la Figura 14.

También hay un indicador LED de color ámbar en el frente de la base del grifo. Dicho indicador LED destellará continuamente cuando hayan transcurrido 6 meses. Esto indica que ya es tiempo de reemplazar la batería y los cartuchos filtrantes.

CAMBIE LA BATERÍA

Para cambiar (o instalar) la batería, siga los pasos a continuación.

1. Afloje el tornillo del lado derecho de la base del grifo. Vea la Figura 14.
2. Desde el frente de la base del grifo, empuje hacia arriba la caja de la batería hasta que se desprenda de la base del grifo. Vea la Figura 14.
3. Reemplace (o instale) la batería (una Maxell CR 2032 o equivalente). Coloque la batería dentro del receptáculo con el lado positivo (+) hacia la parte posterior del receptáculo.
4. Cuando se reemplace la batería por primera vez, el indicador destellará seis veces y se apagará. Eso indica que la batería está totalmente cargada. Después de los seis destellos, el temporizador comenzará a contar el ciclo de 6 meses.

NOTA: Si el indicador LED destella repetidamente sólo dos veces, quiere decir que la batería no está totalmente cargada y necesitará reemplazarse.

5. Vuelva a instalar la caja del temporizador y apriete firmemente el tornillo de montaje. Vea la Figura 14.

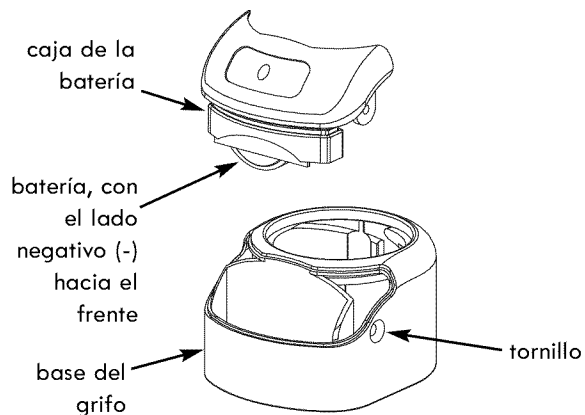


Figura 14

Mantenimiento

VIDA ÚTIL DEL CARTUCHO FILTRANTE

Se recomienda reemplazar la batería y los cartuchos filtrantes cada 6 meses de uso. Hay diversas variables que determinarán la duración de un cartucho. Estas incluyen:

1. Cuánta agua se usa, y
2. Cuánto sedimento, olor o sabor, u otras sustancias indeseadas hay en el agua.

Utilice la siguiente información a modo de guía. Sin embargo, independientemente del tipo de cartucho que use, sabrá que es tiempo de reemplazarlo cuando note por primera vez la presencia de sustancias indeseadas en el agua.

NSF International ha probado y certificado el filtro de dos etapas para agua potable Kenmore modelo 625.384610 con los cartuchos de reemplazo 42-38480 (sedimentos de 5 micras)* y 42-34373 (premium, para sabor y olor) con respecto a la reducción de sabor y olor a cloro. La capacidad nominal de este sistema es de 4,500 galones (17,034 litros) a un caudal para servicio nominal de 0,6 gpm (galones por minuto) (1,9 litros/minuto).

CARTUCHOS OPCIONALES

Sears ofrece otros cartuchos filtrantes para reducir sedimentos, sabores, olores y contaminantes químicos. A continuación hay una lista de los cartuchos disponibles:

Cartucho filtrante para sedimentos, 25 micras*: Los cartuchos filtrantes para sedimento reducen arena, cieno, arcilla, suciedad y otros sedimentos del agua. El Art. No. 42-38478 de Sears filtra los sedimentos de mayor tamaño del agua, y permite mayores caudales a menor caída de presión.

Cartuchos para sabor y olor: Un cartucho de carbono activado reduce muchos malos sabores y olores del agua. Con mayor frecuencia se usan para reducir el sabor y el olor del cloro, habitualmente en un solo grifo, como el de agua fría de la cocina.

NOTA: Ciertas cantidades pequeñas de ácido sulfhídrico (que se perciben por el olor a "huevo podrido") pueden reducirse durante un breve tiempo mediante filtros para sabor y olor, pero agotan rápidamente los medios filtrantes de carbono. Consulte a su tienda Sears sobre el tratamiento adecuado a largo plazo.

Art. No. 42-34370** de Sears: Para reducir el sabor y olor a cloro.

Art. No. 42-34365* de Sears: Para reducir 99% del cloro, más la reducción de contaminantes químicos.

Art. No. 42-34377** de Sears: Para reducir plomo, quistes y sabor y olor a cloro.

* NSF International no ha probado ni certificado el rendimiento de estos cartuchos.

** NSF International ha probado y certificado el rendimiento de estos cartuchos en el Modelo 625.384600.

¿Tiene preguntas? Llame a la línea de ayuda de Kenmore Water al 1-800-426-9345 o visite el sitio web KenmoreWater.com.

Mantenimiento

VIDA ÚTIL DEL CARTUCHO FILTRANTE

Para reemplazar los cartuchos, siga los pasos a continuación:

PRECAUCIÓN: Nunca retire los vasos colectores mientras haya presión de agua en el sistema de filtrado.

1. Cierre la válvula del suministro de agua al filtro. (Vea la Fig. 2 en la pág. 5.) Abra el grifo de agua filtrada para aliviar la presión del sistema.
2. Use la llave para vaso colector, que se incluye, para girar el vaso a la izquierda y aflojarlo del cabezal del filtro. Tenga cuidado. El vaso colector está lleno de agua. No pierda el aro tórico grande.
3. Deseche adecuadamente el cartucho viejo.
4. Cerciórese de que el vaso colector esté limpio por dentro. Lávelo con agua caliente jabonosa y enjuáguelo bien.
5. Retire el envoltorio del nuevo cartucho filtrante e inserte el cartucho en el vaso colector. Algunos cartuchos encajan en cualquiera de los dos sentidos, en tanto que otros encajan en un solo sentido. Observe las marcas en el cartucho o el envoltorio.

NOTA: Si usa los filtros No. 42-38480 y No. 42-34373, coloque el filtro No. 42-28480 (sedimentos*) en la posición de "Filter I" (Filtro I) y coloque el filtro No. 42-34373 (sabor y olor) en la posición de "Filter II" (Filtro II). (Vea la Fig. 15.)

6. Lubrique ligeramente el sello tórico del vaso colector con grasa de silicona. Compruebe que se asiente bien dentro de la ranura.

7. Sujete el vaso colector arriba contra el cabezal del filtro, alineando el orificio central del cartucho con la saliente de la parte inferior del cabezal.

NOTA: Si el vaso colector no se enrosca en el cabezal, y está usando cartuchos que no son el 42-38480 ni el 42-34373, es probable que haya puesto el cartucho al revés. Retire el cartucho y compruebe la orientación correcta.

8. Tenga cuidado de no estropear la rosca; gire el vaso colector a la derecha sobre el cabezal del filtro y apriételo bien.
9. Repita los pasos 2 al 8 con el otro filtro.
10. Abra el grifo de agua filtrada. Luego, abra lentamente la válvula del suministro de agua y deje llenar la caja del filtro.
11. Cierre el grifo de agua filtrada. Verifique si hay fugas entre los vasos colectores y los cabezales.
12. Retire y reemplace la batería del temporizador. Vea la sección titulada "Cambie la batería" en la página 9.

Cartuchos para sabor y olor: Un cartucho para olor y sabor contiene un polvo negro que es carbono activado. Cuando instale cartuchos nuevos, abra el grifo del agua filtrada y deje que se purguen las partículas finas de carbono de la unidad. Cierre el grifo cuando ya no vea partículas finas de carbono en el agua filtrada, o aproximadamente después de 10 minutos.

* NSF International no ha probado ni certificado el rendimiento de este cartucho.

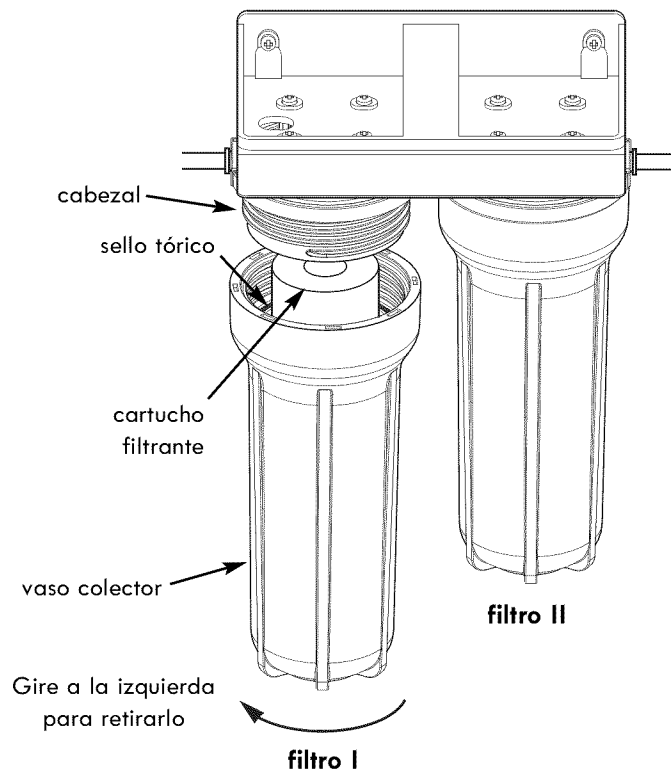


Figura 15

¿Tiene preguntas? Llame a la línea de ayuda de Kenmore Water al 1-800-426-9345 o visite el sitio web KenmoreWater.com.

Especificaciones

Límites de presión para el agua del suministro 207-689 kPa (30-100 psi)
 Límites de temperatura para el agua del suministro 5-40 °C (40-100 °F)
 Entrada - Salida Tubo y uniones de conexión rápida de 3/8 pulg., que se incluyen

Este sistema cumple la norma NSF/ANSI 42 con respecto a las afirmaciones de rendimiento específicas, las cuales se han verificado y respaldado mediante datos de pruebas.

Instalación en el Estado de Massachusetts: El Estado de Massachusetts requiere que un plomero con licencia realice la instalación. En tales casos, se debe cumplir con el código de plomería 248-CMR del Estado de Massachusetts.

Solución de problemas

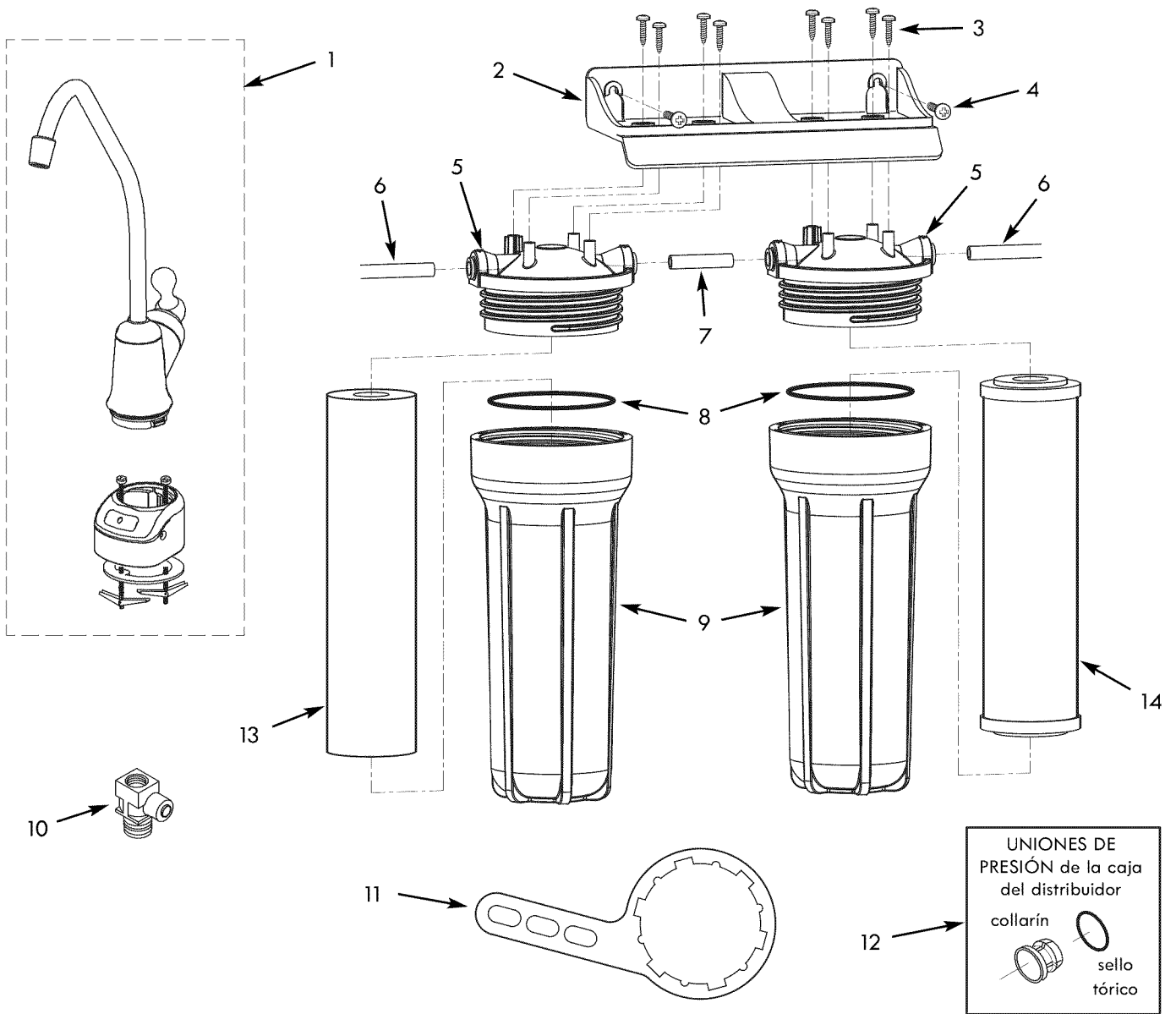
Problema: Sabor u olor.	
Causa: Cartuchos filtrantes agotados.	Corrección: Reemplace los cartuchos filtrantes. Vea las páginas 10 y 11.
Causa: Sistema contaminado.	Corrección: Desinfecte el sistema. Llame al 1-800-426-9345 para obtener instrucciones.
Problema: No funciona la luz del indicador LED después de cambiar la batería.	
Causa: Batería agotada.	Corrección: Reemplace por una nueva batería. Vea la página 9.
Causa: Batería instalada incorrectamente.	Corrección: Instale la batería correctamente.
Problema: Hay fuga de agua de agua en las uniones de presión.	
Causa: Tubo insertado sólo parcialmente.	Corrección: Inserte totalmente el tubo dentro de las uniones. Vea la página 8.
Causa: Tubo no cortado en ángulo recto.	Corrección: Corte el tubo en ángulo recto. Vea la página 8.
Causa: Tubo mellado.	Corrección: Retire el tubo de la conexión. Corte el tubo a una longitud más corta para eliminar la porción mellada. Vuelva a insertarlo en la conexión. Vea la página 8.
Causa: La superficie externa del tubo no es lisa.	Corrección: Retire el tubo de la conexión. Corte el tubo a una longitud más corta para eliminar el área despareja. Vuelva a insertarlo en la conexión. Vea la página 8.

¿Tiene preguntas? Llame a la línea de ayuda de Kenmore Water al 1-800-426-9345 o visite el sitio web KenmoreWater.com.

Notas

¿Tiene preguntas? Llame a la línea de ayuda de Kenmore Water al 1-800-426-9345
o visite el sitio web KenmoreWater.com.

Vista detallada



¿Tiene preguntas? Llame a la línea de ayuda de Kenmore Water al 1-800-426-9345 o visite el sitio web KenmoreWater.com.

Lista de piezas de repuesto

Clave No.	Pieza No.	Descripción
1	7292674	Grifo, con base y sistema electrónico
2	7328352	Soporte de montaje
3	7160453	Tornillo 10-12 x 3/4 pulg. (se necesitan 8)
4	9006053	Tornillo 10-16 AB (se necesitan 2)
5	7314604	Cabezal (se necesitan 2)
6	7168435	Tubo de 3/8 pulg. D.E. x 72 pulg. de largo, blanco
7	7279040	Tubo de 3/8 pulg. D.E. x 1,78 pulg. de largo, blanco
8	7170246	Junta tórica, 3-3/8 pulg. D.I. x 3-5/8 pulg. D.E. (se necesitan 2)
9	7205596	Vaso colector (se necesitan 2)
10	7228536	Adaptador de alimentación en T
11	7193066	Llave para extracción de vaso colector
12	7209574	Juego de unión a presión, 3/8 pulg. ◆
■	7314183	Batería plana
■	7293858	Manual del propietario
13	42-38480	Cartucho filtrante para sedimentos, 5 micras ●
14	42-34373	Cartucho premium, para sabor y olor
*	42-38478	Cartucho filtrante para sedimentos, 25 micras ●
*	42-34370	Cartucho para sabor y olor ○
*	42-34365	Cartucho para sabor, olor y contaminantes químicos ●
*	42-34377	Cartucho para sabor, olor y plomo ○

- ◆ Juego de aro tórico y collarín para reemplazar en el cabezal solamente. No se incluye.
- No se ilustra.
- * Otros cartuchos filtrantes de repuesto disponibles en su tienda Sears, en el sitio web www.sears.com o llamando a Sears Parts al 1-800-469-4663. No se incluye.
- NSF International no ha probado ni certificado el rendimiento de estos cartuchos.
- NSF International ha probado y certificado el rendimiento de estos cartuchos en el Modelo 625.384600.

¿Tiene preguntas? Llame a la línea de ayuda de Kenmore Water al 1-800-426-9345 o visite el sitio web KenmoreWater.com.

Get it fixed, at your home or ours!

Your Home

For troubleshooting, product manuals and expert advice:



www.managemylife.com

For repair – **in your home** – of **all** major brand appliances, lawn and garden equipment, or heating and cooling systems, **no matter who made it, no matter who sold it!**

For the replacement parts, accessories and owner's manuals that you need to do-it-yourself.

For Sears professional installation of home appliances and items like garage door openers and water heaters.

1-800-4-MY-HOME® (1-800-469-4663)

Call anytime, day or night (U.S.A. and Canada)

www.sears.com www.sears.ca

Our Home

For repair of carry-in items like vacuums, lawn equipment, and electronics, call anytime for the location of your nearest

Sears Parts & Repair Service Center

1-800-488-1222 (U.S.A.)

1-800-469-4663 (Canada)

www.sears.com

www.sears.ca

To purchase a protection agreement on a product serviced by Sears:

1-800-827-6655 (U.S.A.)

1-800-361-6665 (Canada)

Para pedir servicio de reparación a domicilio, y para ordenar piezas:

1-888-SU-HOGAR®

(1-888-784-6427)

www.sears.com

Au Canada pour service en français:

1-800-LE-FOYER^{MC}

(1-800-533-6937)

www.sears.ca

The Sears logo, consisting of the word "sears" in a lowercase, serif font.

® Registered Trademark / ™ Trademark of KCD IP, LLC in the United States, or Sears Brands, LLC in other countries

® Marca Registrada / ™ Marca de Fábrica de KCD IP, LLC en Estados Unidos, o Sears Brands, LLC en otros países

^{MC} Marque de commerce / ^{MD} Marque déposée de Sears Brands, LLC