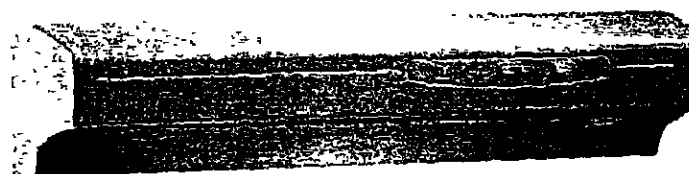


SEARS

OWNER'S MANUAL

Model Nos.



Caution:

Read and follow
all Safety Rules and
Operating Instructions
before first use of this
Product.



RANGE HOOD

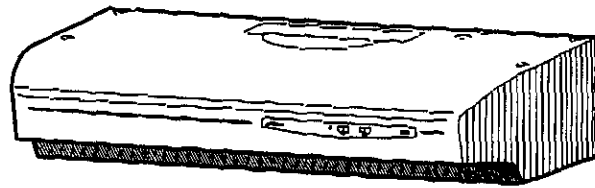
- ◆ Safety Instructions
- ◆ Installation Instructions
- ◆ Maintenance
- ◆ Replacement Parts List
- ◆ Warranty

R626839

Sears, Roebuck and Co., Hoffman Estates, IL 60179 U.S.A.



526 & 527 SERIES RANGE HOODS



READ AND SAVE THESE INSTRUCTIONS

WARNING



TO REDUCE THE RISK OF FIRE, ELECTRIC SHOCK, OR INJURY TO PERSONS, OBSERVE THE FOLLOWING:

1. Use this unit only in the manner intended by the manufacturer. If you have questions, contact the manufacturer at the address or telephone number listed in the warranty.
2. Before servicing or cleaning unit, switch power off at service panel and lock the service disconnecting means to prevent power from being switched on accidentally. When the service disconnecting means cannot be locked, securely fasten a prominent warning device, such as a tag, to the service panel.
3. Installation work and electrical wiring must be done by a qualified person(s) in accordance with all applicable codes and standards, including fire-rated construction codes and standards.
4. Sufficient air is needed for proper combustion and exhausting of gases through the flue (chimney) of fuel burning equipment to prevent backdrafting. Follow the heating equipment manufacturer's guideline and safety standards such as those published by the National Fire Protection Association (NFPA), and the American Society of Heating, Refrigeration and Air Conditioning Engineers (ASHRAE), and the local code authorities.
5. When cutting or drilling into wall or ceiling, do not damage electrical wiring and other hidden utilities.
6. Ducted fans must always be vented to the outdoors.
7. To reduce the risk of fire, use only metal ductwork.
8. This unit must be grounded.

TO REDUCE THE RISK OF A RANGE TOP GREASE FIRE:

1. Keep fan, filters and grease laden surfaces clean.
2. Always turn hood ON when cooking at high heat.
3. Use high range settings on range only when necessary. Heat oil slowly on low to medium setting.
4. Don't leave range unattended when cooking.
5. Always use cookware and utensils appropriate for the type and amount of food being prepared.

TO REDUCE THE RISK OF INJURY TO PERSONS IN THE EVENT OF A RANGE TOP GREASE FIRE, OBSERVE THE FOLLOWING:*

1. SMOTHER FLAMES with a close-fitting lid, cookie sheet, or metal tray, then turn off the burner. BE CAREFUL TO PREVENT BURNS. If the flames do not go out immediately, EVACUATE AND CALL THE FIRE DEPARTMENT.
2. NEVER PICK UP A FLAMING PAN — You may be burned.
3. DO NOT USE WATER, including wet dishcloths or towels - violent steam explosion will result.
4. Use an extinguisher ONLY if:
 - A. You know you have a Class ABC extinguisher and you already know how to operate it.
 - B. The fire is small and contained in the area where it started.
 - C. The fire department is being called.
 - D. You can fight the fire with your back to an exit.

* Based on "Kitchen Fire Safety Tips" published by NFPA.

CAUTION



1. For general ventilating use only. Do not use to exhaust hazardous or explosive materials and vapors.
2. To avoid motor bearing damage and noisy and/or unbalanced impellers, keep drywall spray, construction dust, etc. off power unit.
3. For best capture of cooking impurities, your range hood should be mounted so that the top of the hood is 24-30" above the cooking surface.
4. Please read specification label on product for further information and requirements.

Installer: Leave this manual with the homeowner.

Homeowner: Operating and Cleaning information on page 6.

NOTE

If hood is to be installed Non-Ducted:

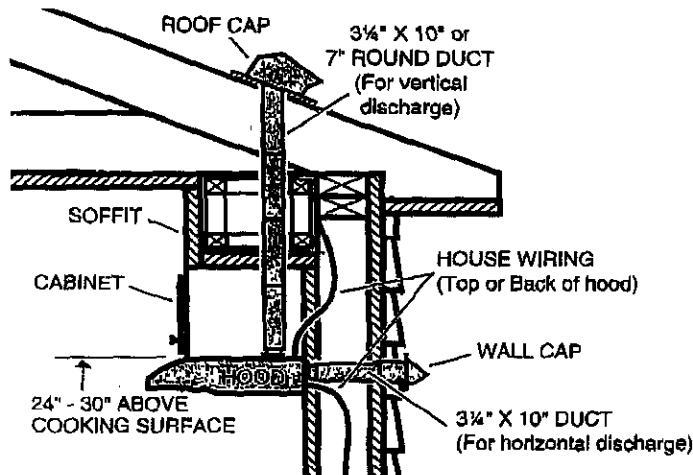
- Purchase a set of (2) non-ducted filters from your local distributor or retailer and attach them to the aluminum mesh filters.

TABLE OF CONTENTS

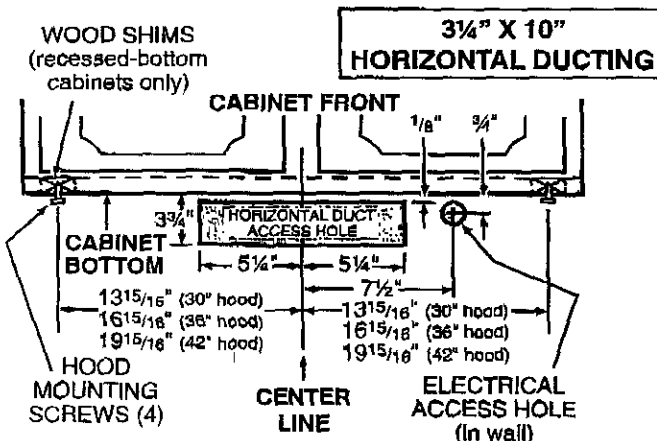
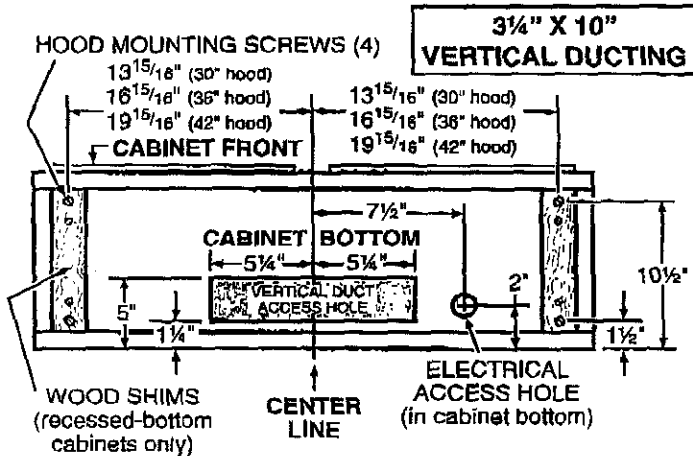
This manual is divided into sections as follows:

- "PREPARE HOOD LOCATION"
Run ductwork from roof or wall cap, and electrical wiring from service panel - to installation location
- "PREPARE THE HOOD"
Get your hood ready for installation
- "CONNECT WIRING"
Make electrical wiring connections to hood
- "INSTALL HOOD"
Secure hood to cabinet and ductwork - install bulbs and filters
- "OPERATION"
How to use the hood controls
- "CLEANING"
Keep your hood in top working condition
- "SERVICE PARTS"
Part numbers and exploded view of hood components
- "WARRANTY"
One-year limited warranty and how to contact us

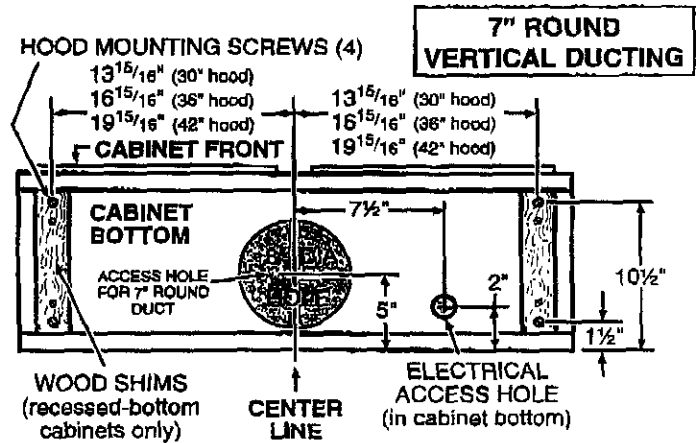
PREPARE HOOD LOCATION



- 1 Determine whether hood will discharge vertically ($3\frac{1}{4}'' \times 10''$ or 7" Round), horizontally ($3\frac{1}{4}'' \times 10''$ only) or non-ducted. For vertical or horizontal discharge, run ductwork between the hood location and a roof cap or wall cap. For best results, use a minimum number of transitions and elbows.
- 2 Use diagrams, below, for proper placement of ductwork and electrical cutout in cabinet or wall. For a non-ducted installation, DO NOT cut a duct access hole.

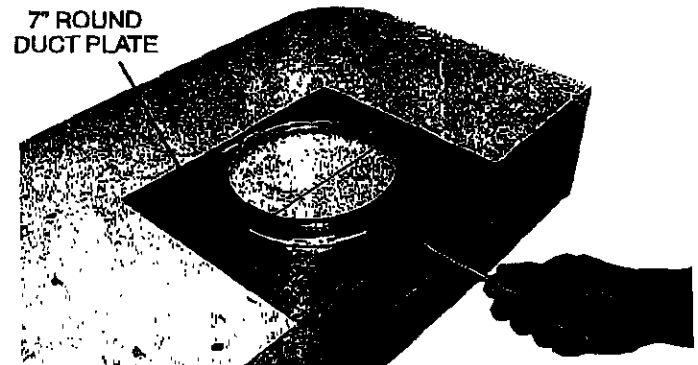


PREPARE HOOD LOCATION (Continued)

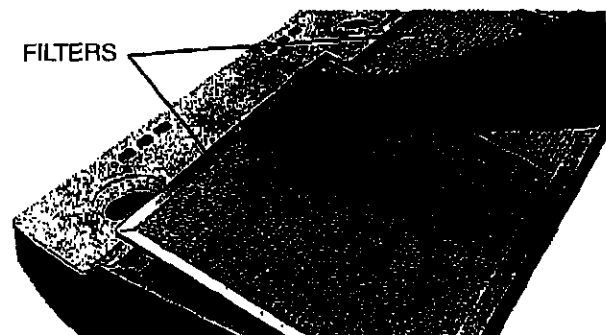


- 3 Run house wiring between service panel and hood location.

PREPARE THE HOOD

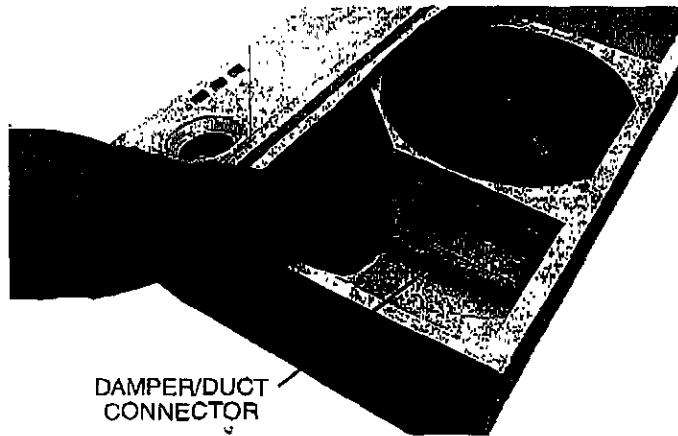


- 1 Remove 7" Round Duct Plate from top of hood. Set duct plate aside - with mounting screws.



- 2 Remove tape holding Filters in place. Pull down on filter tabs and lift filters out. Set filters aside.

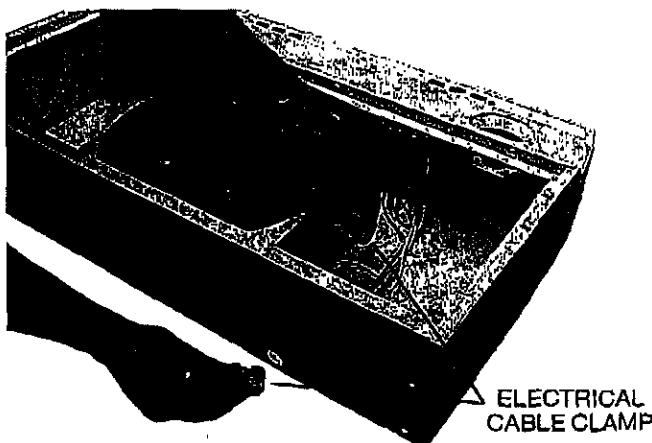
PREPARE THE HOOD (Continued)



- 3 Remove **Damper/Duct Connector** from inside the hood. Set connector aside - with mounting screws and parts bag.



- 4 Remove **Wiring Cover** from inside the hood. Set cover and mounting screw aside.



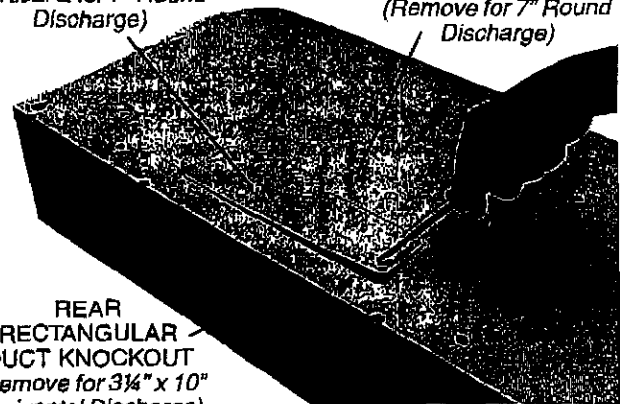
- 5 Remove either top or back wiring knockout and install approved **Electrical Cable Clamp**.

PREPARE THE HOOD (Continued)

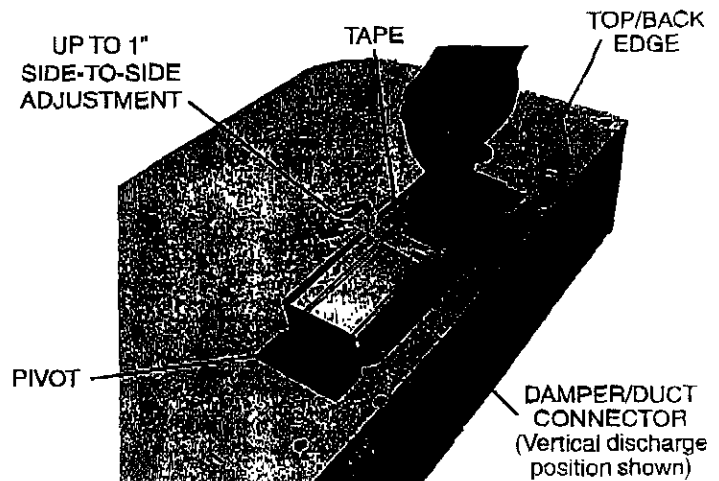
- NOTE** If hood is to be installed Non-Ducted:
- Purchase a set of (2) non-ducted filters from your local distributor or retailer and attach them to the aluminum mesh filters.
 - Skip to "CONNECT WIRING" section on page 4.

TOP RECTANGULAR
DUCT KNOCKOUT
(Remove for 3¼" x 10"
Vertical & for 7" Round
Discharge)

SEMI-CIRCULAR
DUCT KNOCKOUT
(Remove for 7" Round
Discharge)



- 6 Remove appropriate **Duct Knockout(s)** from top or back of hood.



- 7 3¼" x 10" Ducted Discharge Only: Attach **Damper/Duct Connector** over knockout opening. Make sure damper **Pivot** is nearest to **Top/Back Edge** of hood. Remove **Tape** from damper flap.

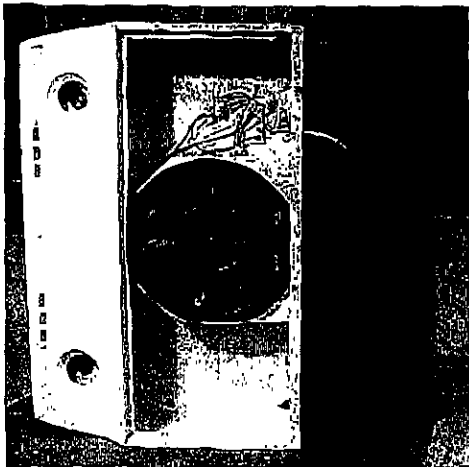
- 8 7" Round Ducted Discharge Only: Re-install **7" Round Duct Plate** removed in Step #1 under "PREPARE THE HOOD" section. Install a 7" round damper (purchase separately). Damper flap must open freely in direction of air flow (away from range hood).

- NOTE** Damper/Duct Connector and 7" Round Duct Plate can be installed up to 1-inch on either side of hood center to accommodate off-center ductwork. In extreme off-center installations, one end of the duct connector may need to be trimmed to clear the electrical cable clamp.

CONNECT WIRING



WARNING: To reduce the risk of electric shock, make sure power is switched off at the service panel. Lock or tag service panel to prevent power from being switched on accidentally.



HOUSE WIRING
(120 VAC)

CARDBOARD
(Use to protect
cooktop)

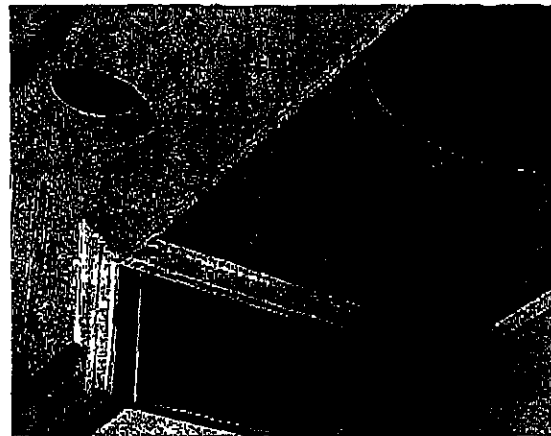
- 1 Connect House Wiring (120 VAC) to hood. Use a piece of Cardboard to protect the cooktop, if necessary.



GREEN
GROUND
SCREW

- 2 Connect house black to hood black wire, house white to hood white wire, and house ground under Green Ground Screw. Securely tighten cable clamp onto house wiring.
- 3 Replace wiring cover.

INSTALL HOOD

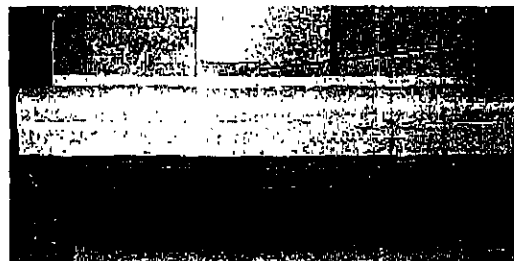


KEYHOLE
(4)

MOUNTING
SCREW
(4)

- 1 Hang hood from (4) Mounting Screws (from parts bag). Slide hood towards wall until mounting screws are engaged in narrow end of (4) Keyholes. Tighten mounting screws securely.

CAUTION DO NOT PUSH ON FAN BLADE. Pushing on the blade may cause it to interfere with other hood parts.



DUCT
TAPE

- 2 Connect ductwork to hood. Use Duct Tape to make joints secure and air tight.



PAR20,
50W MAX.
HALOGEN
BULB (2)
- or -
R16,
40W MAX.
INCANDESCENT
BULB (2)

- 3 Install (2) PAR20, 50 W Maximum Halogen Bulbs or (2) R16, 40 W Maximum Incandescent Bulbs. Purchase bulbs separately.



CAUTION: Bulbs may be hot! Refer to bulb packaging for further information.

- 4 Replace filters and make sure fan blade turns freely. Turn on power at service panel, and test for proper operation.



OPERATION



Fan: The 3-position rocker switch (on the left) controls the fan. The left position is low speed, center position is off, and right position is high speed. An indicator light shows that the fan is on.

Light: The 3-position rocker switch (on the right) controls the lights. The left position is low light intensity, center position is off, and right position is high light intensity.

CLEANING



WARNING: To reduce the risk of electric shock, disconnect from power supply before cleaning.

Aluminum mesh filters: Clean frequently using hot water and a mild detergent. Filters are dishwasher safe.

Charcoal filters: Clean filter surfaces frequently with a damp cloth and a mild detergent. DO NOT immerse filters in water or put in dishwasher. The special "Clean Sense" feature indicates when the filter is to be replaced. The blue and yellow strips will blend to green when it is time to change the filter. The "Clean Sense" feature works best when facing toward the cooking surface.

To clean hood: Remove filters. Use a damp cloth and a mild detergent to wipe all grease-laden surfaces. Use care when cleaning fan blade - it must not become bent or misaligned. DO NOT ALLOW WATER TO ENTER MOTOR. Make sure all surfaces are completely dry before re-installing filters and restoring power.

Motor is permanently lubricated. Do not oil or disassemble motor.

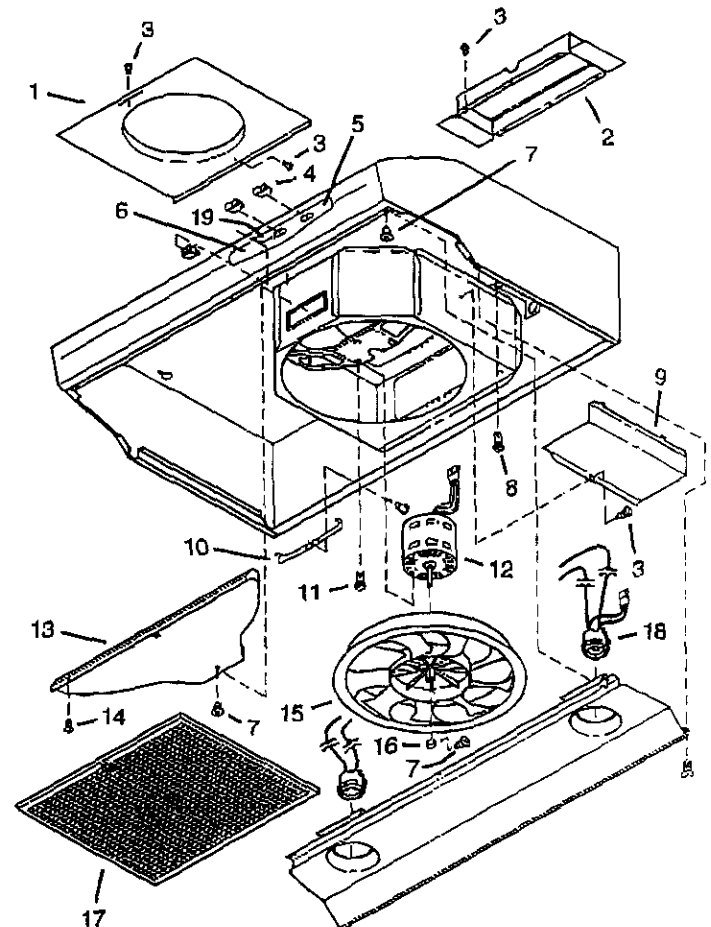
SERVICE PARTS

KEY NO.	PART NO.	DESCRIPTION
1	R680508	7" Round Duct Plate (includes hardware)
2	R740013	Damper/Duct Connector (includes hardware)
3	R602017	Screw, #8-18 x 1/4 Hex* (2 in package)
4	R561115	Rocker Switch, Almond (2 in package)
	R561116	Rocker Switch, White (2 in package)
	R561117	Rocker Switch, Black (2 in package)
	R561119	Rocker Switch, Biscuit (2 in package)
5	R627536	Nameplate, White
	R627537	Nameplate, Almond
	R627538	Nameplate, Black
	R627539	Nameplate, Biscuit
6	R607857	Lens
7	R602534	Screw, 8-18 x 3/8" (2 in package)
8	R602533	Ground Screw (2 req.)
9	R680504	Wiring Cover (includes hardware)
10	R169001	Filter Spring Kit (includes 2 Pop Rivets)
11	R169002	Motor Mounting Screw (3 each part)
12	R520117	Motor (includes Motor Mounting Kit)
13	R401573	Air Chute (includes hardware)
14	R602058	Screw, for plastic, #8 x 1/2 Pan Hd (2 per bag)
15	R531067	Fan Blade (includes Compression Ring)
16	R607222	Compression Ring (includes screw)
17	99010299	Filter Kit, for 30" Hood (2 per bag)
	99010300	Filter Kit, for 36" Hood (2 per bag)
18	R111630	Lamp Socket Harness
19	R169004	Indicator Light (includes 2 wire nuts and lens)
**	R169010	Light Diode Assembly (includes wire nut)
**	99010308	Non-Ducted Filter Kit, 30" (2 per bag)
**	99010309	Non-Ducted Filter Kit, 36" (2 per bag)
**	99010310	Non-Ducted Filter Kit, 42" (2 per bag)

Order replacement parts by PART NO. - not by KEY NO.

* Standard hardware - may be purchased locally.

** Not illustrated.





WARRANTY

FULL THREE YEAR WARRANTY ON PARTS

If within 3 years from the date of installation, any part of this range hood fails to function properly due to a defect in material or workmanship, Sears will repair the part or furnish and install a new part, free of charge.

FULL 30-DAY WARRANTY ON FINISH ON PAINTED OR BRIGHT METAL PARTS

If within 30 days from the date of installation, the finish on any painted or bright metal parts of this range hood is defective in material or workmanship, Sears will furnish and install a new part, free of charge.

WARRANTY SERVICE IS AVAILABLE BY CONTACTING THE NEAREST SEARS SERVICE CENTER/DEPARTMENT IN THE UNITED STATES.

This warranty applies only while this product is in use in the United States. This warranty gives you specific legal rights and you may have other rights which vary from state to state.

Sears, Roebuck and Co., Dept 817WA, Hoffman Estates, IL 60179